

iDS-2SK8144IXS-D/J Smart-Linkage PTZ Camera



The smart-linkage PTZ camera adopts an all-in-one design with two camera channels, a speaker, and two high-performance GPUs. Integrated with multiple deep learning algorithms for complicated scenes, it provides accurate collection of target feature data, comprehensive data analysis of multiple scenes, and all-around situational perception.

The smart-linkage PTZ camera can be widely used for large areas that need high-definition monitoring and smart capture, such as intersections, T-junctions, squares, borderlines, and parks.

- **Person arming:** supports real-time modeling and comparison, arms and tracks predefined persons, and uploads the longitude and latitude information of the target during tracking
- **Vehicle arming:** supports vehicle detection and license plate recognition, arms and tracks predefined vehicles, and uploads the longitude and latitude information of the target during tracking
- **Smart event:** The panoramic channel arms the predefined area. When it detects a target, the PTZ channel is linked to track the target and trigger alarm.
- **Tracking capture:** Tracking can be linked to white light and warning from speaker. The features of the target can be abstracted and uploaded
- **Tracking takeover:** When the target gets out of the panoramic channel view, the PTZ channel goes on to track the target in a larger area
- **Multi-target-type detection:** supports human face and body detection and captured picture uploading on both camera channels
- **Road traffic:** supports vehicle detection, license plate recognition, and captured picture uploading on both camera channels
- Supports EIS, with built-in gyroscope to improve the performance



▪ Specification

Camera Module	
Image Sensor	[Panoramic channel]: 1/1.8" progressive scan CMOS, [PTZ channel]: 1/1.8" progressive scan CMOS
Min. Illumination	[Panoramic channel]: Color: 0.002 Lux @ (F1.4, AGC ON), B/W: 0.0002 Lux @ (F1.4, AGC ON), 0 Lux with IR; [PTZ channel]: Color: 0.002 Lux @ (F1.2, AGC ON), B/W: 0.0002 Lux @ (F1.2, AGC ON), 0 Lux with IR
Shutter Speed	1/25 s to 1/30000 s
Slow Shutter	Yes
Focus	semi-auto, manual, auto
Day & Night	ICR
Day/Night Switch	day, night, auto, scheduled-switch
BLC	Yes
WDR	140 dB WDR
HLC	Yes
3D DNR	Yes
Defog	Yes
EIS	Yes. Built-in gyroscope to improve EIS performance.
Regional Exposure	Yes
Regional Focus	Yes
Image Settings	saturation, brightness, contrast, sharpness
Image Parameters Switch	Yes
White Balance	auto, ATW, sodium lamp, fluorescent lamp, indoor, outdoor, MWB
Digital Zoom	[panoramic channel] no; [PTZ channel] 16 ×
Optical Zoom	40 ×
Privacy Mask	mask color configurable, rectangle region, [panoramic channel] 8 masks, [PTZ channel] 24 masks
SNR	≥ 52 dB
General Function	mirror, password protection, watermark, IP address filter
Gain Control	auto, manual
Optical Defog	Yes
Lens	
Focal Length	[Panoramic channel]: 2.8 to 12 mm; [PTZ channel]: 6.0 to 240 mm
Zoom Speed	[Panoramic channel]: Approx. 2.3 s; [PTZ channel]: Approx. 4.8 s
FOV	[Panoramic channel]: 90° to 34.5°; [PTZ channel]: 56.6° to 1.8°
Aperture	[Panoramic channel]: F1.4; [PTZ channel]: F1.2
Constant Fx throughout the zoom range	[panoramic channel]: yes; [PTZ channel]: no
PTZ	
Movement Range (Pan)	[panoramic channel] 0-90°, [PTZ channel] 0-360°
Movement Range (Tilt)	[panoramic channel] -5° to 30°, [PTZ channel] -20° to 90°
Pan Speed	[panoramic channel] pan speed: configurable from 0.1° to 20°/s; [PTZ channel] pan speed: configurable from 0.1° to 210°/s; preset speed: 280°/s
Tilt Speed	[panoramic channel] tilt speed: configurable from 0.1° to 20°/s; [PTZ channel] tilt speed: configurable from 0.1° to 150°/s, preset speed 150°/s
Proportional Zoom	[panoramic channel]: no; [PTZ channel]: yes
Presets	300
Patrol Scan	8 patrols
Pattern Scan	4 pattern scans
Power-off Memory	yes
Park Action	preset, pattern scan, patrol scan, auto scan, tilt scan, random scan, frame scan, panorama scan
3D Positioning	yes
PTZ Status Display	yes
Preset Freezing	yes
Scheduled Task	preset, pattern scan, patrol scan, auto scan, tilt scan, random scan, frame scan, panorama scan, dome reboot, dome adjust, aux output
Exception Detection	network disconnected, IP address conflict, HDD full, illegal login, HDD error
Video	
Max. Resolution	2560 × 1440

Stream Type	main stream, sub-stream, third stream
Main Stream	50 Hz: 25/50 fps (2560 × 1440, 1920 × 1080, 1280 × 960, 1280 × 720); 60 Hz: 30/60 fps (2560 × 1440, 1920 × 1080, 1280 × 960, 1280 × 720)
Sub-Stream	50 Hz: 25 fps (704 × 576, 640 × 480, 352 × 288); 60 Hz: 30 fps (704 × 480, 640 × 480, 352 × 240)
Third Stream	50 Hz: 25 fps (1920 × 1080, 1280 × 960, 1280 × 720, 704 × 576, 640 × 480, 352 × 288); 60 Hz: 30 fps (1920 × 1080, 1280 × 960, 1280 × 720, 704 × 480, 640 × 480, 352 × 240)
Video Compression	H.265, H.264, MJPEG
Video Bit Rate	32 to 16384 kbps
H.264 Type	baseline profile, main profile, high profile
H.265 Type	main profile
H.264+	yes
H.265+	yes
SVC	yes
ROI	dynamic face tracking, dynamic license plate tracking, fixed region
Audio	
Audio Compression	G.711alaw, G.711ulaw, G.722.1, G.726, MP2L2, AAC, PCM
Audio Bit rate	AAC: 16kbps, 32kbps, 64kbps
Audio Sampling Rate	MP2L2: 16 kHz, 32 kHz, 48 kHz, AAC: 16 kHz, 32 kHz, 48 kHz, PCM: 8 kHz, 16 kHz, 32 kHz, 48 kHz
Environment Noise Filtering	yes
Smart Features	
Feature Abstraction	face feature abstraction, human body feature abstraction, vehicle feature abstraction
Multi-target-type Detection	both channels support multi-target-type detection and capture of human body, face and vehicles
Basic Event	audio exception, motion detection, video tampering alarm
Smart Event	intrusion detection, line crossing detection, region entrance detection, region exiting detection
Smart Tracking	manual tracking, panorama tracking, event tracking, support patrol tracking among multiple detection scenes
Smart Record	ANR, Dual-VCA
Alarm Linkage	preset, patrol scan, pattern scan, alarm output, sending email, notify surveillance center, upload to FTP, white light flashing, smart tracking
Smart Encoding	H.265+, H.264+, low bit rate, ROI, SVC
Network	
Network Storage	NAS (NFS, SMB/ CIFS)
Protocols	IPv4/IPv6, HTTP, HTTPS, 802.1x, Qos, FTP, SMTP, UPnP, SNMP, DNS, DDNS, NTP, RTSP, RTCP, RTP, TCP/IP, UDP, IGMP, ICMP, DHCP, PPPoE, Bonjour
API	ISAPI, Hikvision SDK, ONVIF (Profile S, Profile G, Profile T), ISUP
Simultaneous Live View	20
User/Host	32
Security Measures	Authenticated username and password, MAC address binding, HTTPS encryption, 802.1X authenticated access, IP address filter
Client	iVMS-4200
Web Browser	IE 10+, Chrome 57+, Firefox 52+, Safari 12+
Interface	
Communication Interface	RJ45
On-board Storage	(Optional) Supports built-in memory card. The memory card needs to be installed before leaving the factory
Alarm Input	7 alarm inputs
Alarm Output	2 alarm output
Audio Input	1 audio input
Audio Output	1 audio output, line level, impedance: 600 Ω 1 built-in speaker, sound pressure level: 60 dB @ 50 m
RS-485	Half duplex, HIKVISION, Pelco-P, Pelco-D, self-adaptive
Supplement Light	
White Light Distance	100 m
IR Distance	[Panoramic channel]: up to 50 m; [PTZ channel]: up to 500 m
Smart IR	yes
General	
Power	36 VDC
Power Interface	DC input

Power Consumption and Current	Max. 90 W
Operating Conditions	-40°C to 70°C (-40°F to 158°F)
Reset	yes
Material	ADC12
Dimensions	Ø 485 mm × 487 mm (Ø 19.09" × 19.17")
Weight	Approx. 17 kg (37.48 lb.)
Web Client Language	33 languages: English, Russian, Estonian, Bulgarian, Hungarian, Greek, German, Italian, Czech, Slovak, French, Polish, Dutch, Portuguese, Spanish, Romanian, Danish, Swedish, Norwegian, Finnish, Croatian, Slovenian, Serbian, Turkish, Korean, Traditional Chinese, Thai, Vietnamese, Japanese, Latvian, Lithuanian, Portuguese (Brazil), Ukrainian

▪ DORI

The DORI (detect, observe, recognize, identify) distance gives the general idea of the camera ability to distinguish persons or objects within its field of view. It is calculated based on the camera sensor specification and the criteria given by EN 62676-4: 2015.

DORI	Detect	Observe	Recognize	Identify
Definition	25 px/m	63 px/m	125 px/m	250 px/m
Distance(Tele)	3310.3 m (10860.6 ft)	1313.6 m (4309.7 ft)	662.1 m (2172.2 ft)	331.0 m (1086.0 ft)

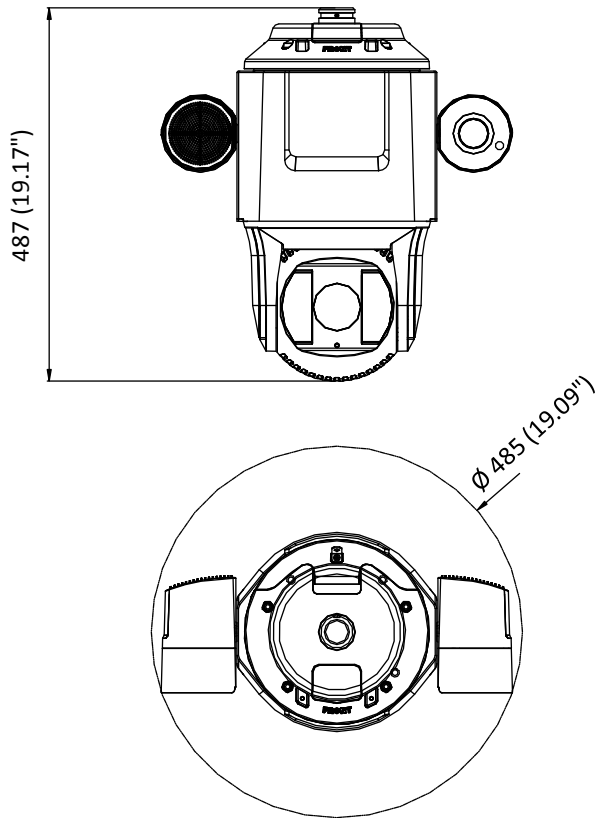
▪ Typical Application

Hikvision products are classified into three levels according to their anti-corrosion performance. Refer to the following description to choose for your using environment.

This model has NO SPECIFIC PROTECTION.

Level	Description
Top-level protection	Hikvision products at this level are equipped for use in areas where professional anti-corrosion protection is a must. Typical application scenarios include coastlines, docks, chemical plants, and more.
Moderate protection	Hikvision products at this level are equipped for use in areas with moderate anti-corrosion demands. Typical application scenarios include coastal areas about 2 kilometers (1.24 miles) away from coastlines, as well as areas affected by acid rain.
No specific protection	Hikvision products at this level are equipped for use in areas where no specific anti-corrosion protection is needed.

▪ **Dimension**



Unit: mm (inch)

▪ **Accessory**

▪ **Optional**

DS-1668ZJ(20)-P	DS-1603ZJ-P
	

▪ **Available Model**

iDS-2SK8144IXS-D/J(40X/2812) (T2)



Distributed by

**HIKVISION®****Headquarters**

No.555 Qianmo Road, Binjiang District,
Hangzhou 310051, China
T +86-571-8807-5998
overseasbusiness@hikvision.com

Hikvision USA

T +1-909-895-0400
sales.usa@hikvision.com

Hikvision Australia

T +61-2-8599-4233
salesau@hikvision.com

Hikvision India

T +91-22-28469900
sales@pramahikvision.com

Hikvision Canada

T +1-866-200-6690
sales.canada@hikvision.com

Hikvision Thailand

T +662-275-9949
sales.thailand@hikvision.com

Hikvision Europe

T +31-23-5542770
sales.eu@hikvision.com

Hikvision Italy

T +39-0438-6902
info.it@hikvision.com

Hikvision Brazil

T +55 11 3318-0050
Latam.support@hikvision.com

Hikvision Turkey

T +90 (216)521 7070- 7074
sales.tr@hikvision.com

Hikvision Malaysia

T +601-7652-2413
sales.my@hikvision.com

Hikvision UK & Ireland

T +01628-902140
sales.uk@hikvision.com

Hikvision South Africa

Tel: +27 (10) 0351172
sale.africa@hikvision.com

Hikvision France

T +33(0)1-85-330-450
info.fr@hikvision.com

Hikvision Kazakhstan

T +7-727-9730667
nikia.panfilov@hikvision.ru

Hikvision Vietnam

T +84-974270888
sales.vt@hikvision.com

Hikvision UAE

T +971-4-4432090
salesme@hikvision.com

Hikvision Singapore

T +65-6684-4718
sg@hikvision.com

Hikvision Spain

T +34-91-737-16-55
info.es@hikvision.com

Hikvision Tashkent

T +99-87-1238-9438
uzb@hikvision.ru

Hikvision Hong Kong

T +852-2151-1761
info.hk@hikvision.com

Hikvision Russia

T +7-495-669-67-99
saleru@hikvision.com

Hikvision Korea

T +82-(0)31-731-8817
sales.korea@hikvision.com

Hikvision Poland

T +48-22-460-01-50
info.pl@hikvision.com

Hikvision Indonesia

T +62-21-2933759
Sales.Indonesia@hikvision.com

Hikvision Colombia

sales.colombia@hikvision.com

05054020211208