

Datasheet

250-meter Long-Range PoE Switch

WI-PS206S | WI-PS210S | WI-PS210GS



Overview

Wi-Tek 250-meter Long-Range PoE Switch provide 4/8 10/100Mbps PoE RJ-45 ports, 2 100/1000Mbps Uplink Ports , which can meet flexibly the demand of different PoE input in different application scenarios. In addition, Wi-Tek Long-Distance PoE Switch can extend the data transmission distance to 250m, breaking the distance limit and improving the device availability. At the same time, Wi-Tek Long-Distance PoE Switch provide valuable features such as extend mode, PoE Watchdog, Port isolation, creating reliable network to grow your business.

Features

PoE 250m Long Distance to Extend Network

DIP switch provides Extend Mode. All PoE ports can transmit data and power up to 250 meters. No more hardware or configuration is necessary, easy-to-use and cost-saving. Perfect for surveillance camera deployment in large areas.

Smart PoE Watchdog to Reboot Camera Automatically

Watchdog is able to monitor status of camera in real-time. Once the camera stops working and does not respond to the switch, the switch will reboot the camera, making surveillance management easier.

Port Isolation to Prevent Broadcast Storm

With VLAN Mode, all PoE ports only can communicate with uplink ports. Avoid data leakage between each port and prevent broadcast storm from disabling network.

Specifications



Model	WI-PS206S	WI-PS210S	WI-PS210GS
Hardware Specifications			
Hardware Version	V1	V1	V1
Interfaces			
Downlink Ports	4 10/100Mbps RJ45 PoE Ports	8 10/100Mbps RJ45 PoE Ports	8 10/100Mbps RJ45 PoE Ports
Uplink Ports	2 10/100Mbps Uplink Ports	2 10/100Mbps Uplink Ports	2 100/1000Mbps Uplink Ports
PoE			
PoE Port	Port 1–4	Port 1–8	
PoE Standard	Port 1–4: 802.3af/at 30W	Port 1–8: 802.3af/at 30W	Port 1–8: 802.3af/at 30W
PoE Power Supply Type	End-span		
PoE Pin Assignment	1/2(+), 3/6(-)		
PoE Power	30W max for each port, 60 W Max. (PoE power budget)	30W max for each port, 110 W Max. (PoE power budget)	
Switch Property			
Standards and Protocols	IEEE 802.3 (Ethernet) IEEE 802.3u (Fast Ethernet) IEEE 802.3ab (Gigabit Ethernet) IEEE 802.3af (Power over Ethernet) IEEE 802.3at (Power over Ethernet Plus)		
Forwarding Mode	Store and Forward		
Switching Capacity	1.2Gbps	2Gbps	5.6Gbps
Packet Forwarding Rate	0.89Mpps	1.49Mpps	4.17Mpps
MAC Address Table	2k		
Packet Buffer Memory	448Kbit		
Jumbo Frame	2048bytes		9216bytes
Power Supply			
Input Power	AC 100–240V, 50/60Hz 65 W	AC 100–240V, 50/60Hz 120 W	
Power Consumption	Idle: 5 W 100% Traffic Rate with PoE: 65 W	Idle: 10W 100% Traffic Rate with PoE: 120W	

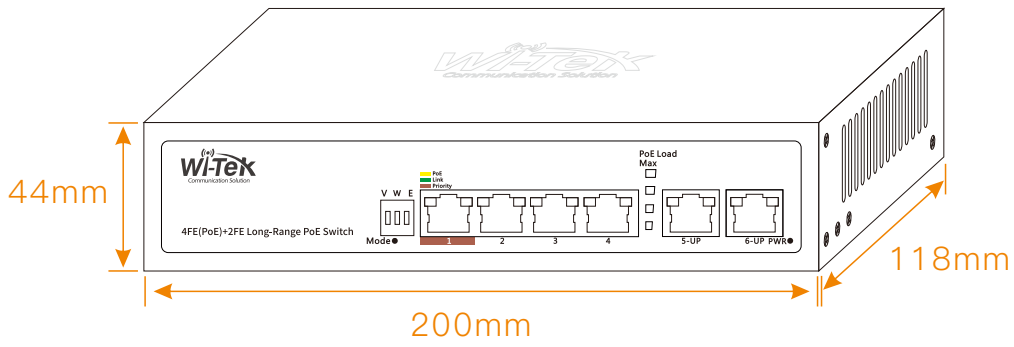


Model		WI-PS206S	WI-PS210S	WI-PS210GS
Physical Characteristics				
LED Indicators		<p>PWR Solid on: The device power on is normal Off: The device is power off or failed</p> <p>PoE On: PoE is working Off: PoE not working</p> <p>Link On: Data on TX/RX Off: Ports link down</p> <p>PoE Load Max Green On: PoE Power<25% Yellow On: 25%<PoE Power< 50% Orange On:50%<PoE Power<75% Red On: PoE Power> 75%</p>		
Buttons		<p>Independently controlled DIP switch V(VLAN): All PoE Port isolated each other W(PoE Watchdog): PoE Watchdog Enable E(Extend): PoE Extend mode, Transmission Distance 250 meters</p>		
Fan Quantity		Fanless		
Switch Dimensions		200x118x44 mm	200x118x44 mm	200x118x44 mm
Package Dimensions		245x190x60mm	245x190x60mm	245x190x60mm
Weight		Net Weight: 0.60 kg	Net Weight: 0.76 kg	Net Weight: 0.76 kg
		Package Weight:0.95 kg	Package Weight: 1.06kg	Package Weight: 1.09kg
Installation		Wall-mount, desktop		
Environmental				
Reliability	Surge Immunity	IEC 61000-4-5 Common mode 4kV Differential mode 2kV		
	ESD Protection	IEC 61000-4-2 Contact discharge 8kV Air discharge 15 kV		
Operating Temperature		-10°C-50°C (14°F-122°F)		
Storage Temperature		-40°C-70°C (-40°F-158°F)		
Operating Humidity		10-90% RH non-condensing		
Storage Humidity		5-95% RH non-condensing		
Certification				
Certification		CE, FCC, RoHS, UKCA, RCM		

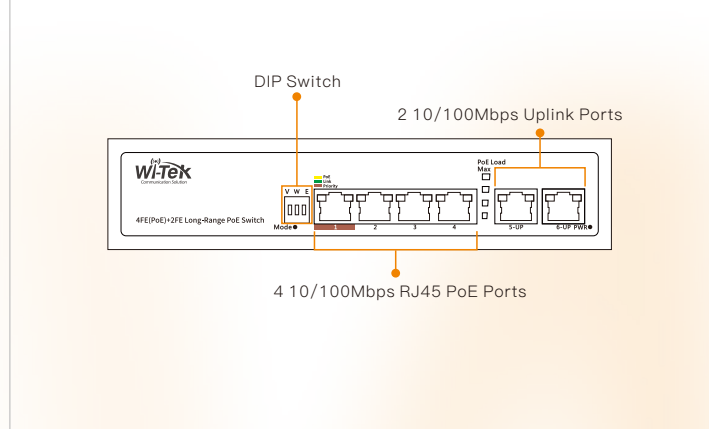
Appearances and Dimensions

WI-PS206S

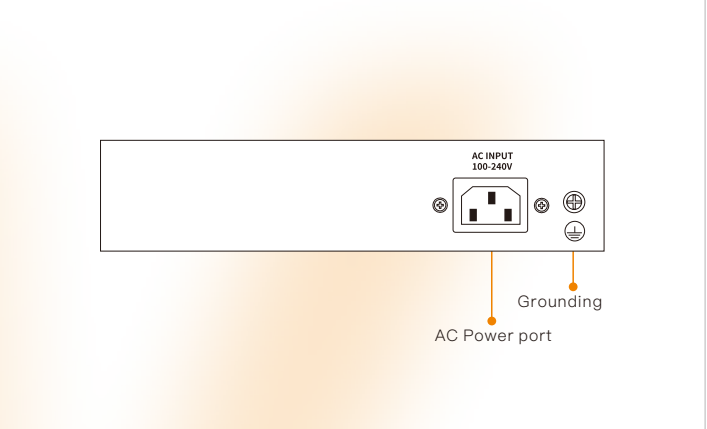
Dimensions (mm)



Front Panel

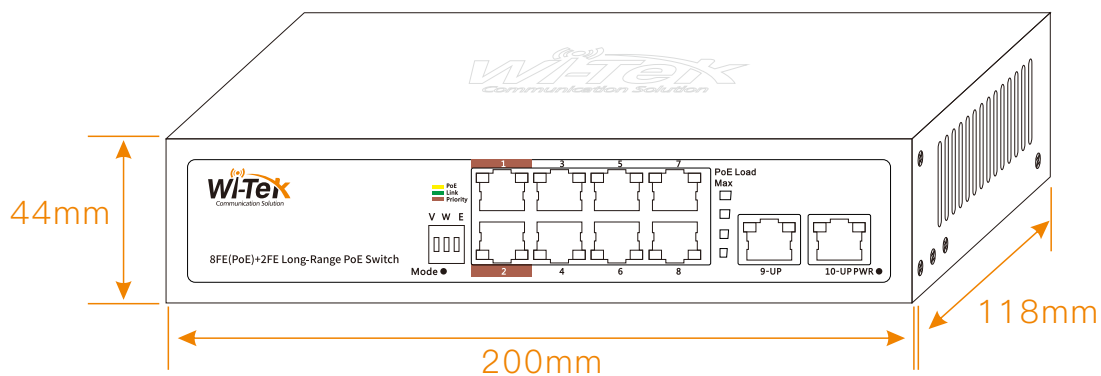


Rear Panel

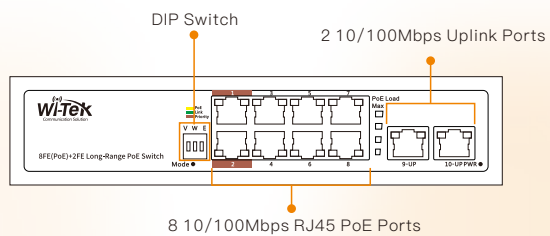


WI-PS210S

Dimensions (mm)



Front Panel

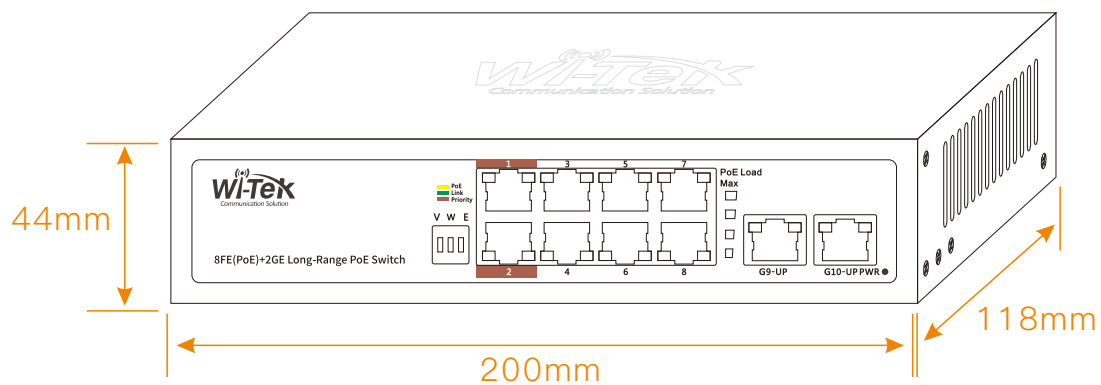


Rear Panel

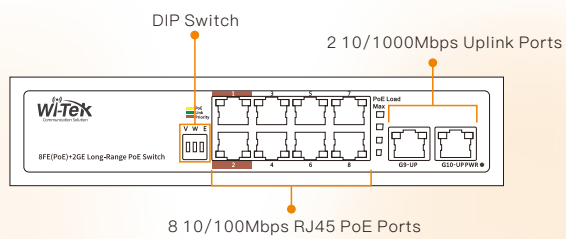


WI-PS210GS

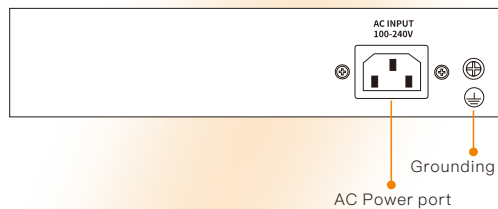
Dimensions (mm)



Front Panel



Rear Panel



Package Contents

Welcome to order our products. After purchasing, you will receive:

Items	Quantity
Switch	1 pcs
Power Cord	1 pcs
Quick Installation Guide	1 pcs



Wireless-Tek Technology Limited

Address: Building 3, Units 1801-1807, 1812, Huaqiang Era Plaza, Tangwei Community, Fuhai Street, Bao'an District, Shenzhen City, Guangdong Province, China.

Website: www.wireless-tek.com

Tel: 86-0755-32811290

Email: sales@wireless-tek.com

Technical Support: tech@wireless-tek.com



Technical Support



Cloud Management



Company Website