



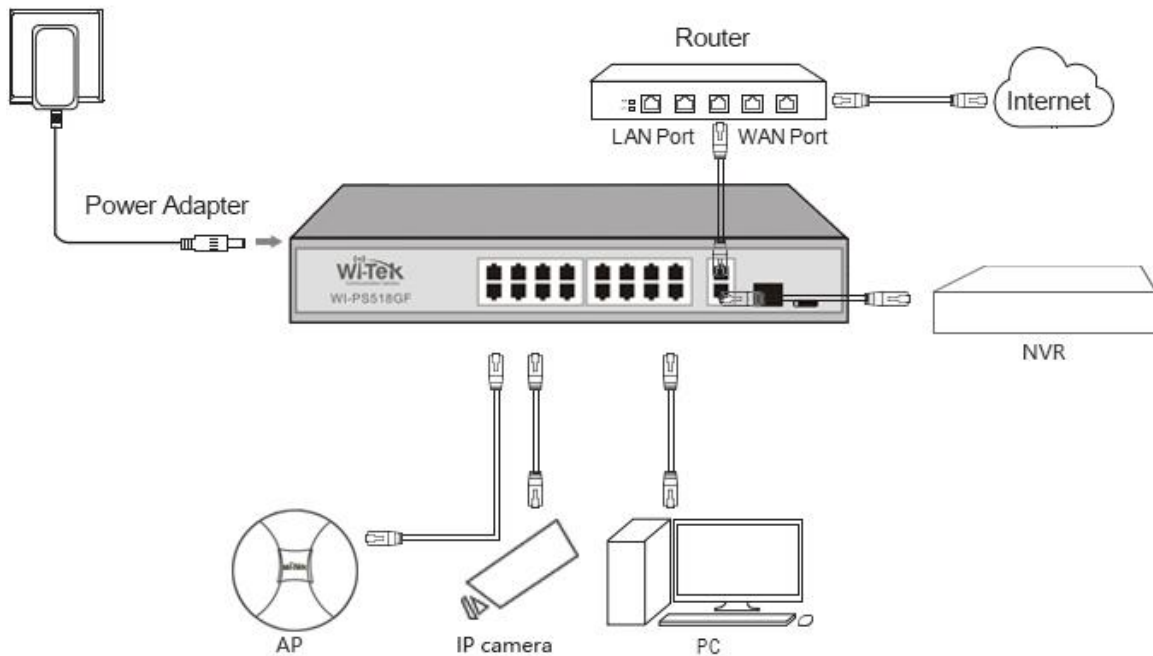
WI-PS150GF
48FE+2Combo Gigabit 48V Ports PoE
Switch with 48-Port PoE
Data sheet

Highlights

- 48FE+2 Gigabit Combo SFP Ports with 48 PoE ports
- Supports PoE power up to 30W for each port
- Supports PoE IEEE 802.3af/at compliant PDs
- Internal power adapter supply 700W output power
- LED indicators for LINK/ACT, Power, PoE Status, 100/1000Mbps
- 16K entry MAC address table with auto-learning and auto-aging



Typical Applications





Description

What This Product Does

48FE+2Combo Gigabit Port Gigabit Switch with 48-Port PoE provides the seamless network connection. It integrates 1000Mbps Gigabit Ethernet and 10/100Mbps Fast Ethernet network capabilities.

How This Product Works

48 Auto-Negotiation RJ45 ports (port-1 to port-48) of the switch support Power over

Ethernet (PoE) function. These PoE ports can automatically detect and supply power with those IEEE 802.3af/at compliant Powered Devices (PDs). In this situation, the electrical power is transmitted along with data in one single cable allowing you to expand your network where there are no power lines or outlets, where you wish to fix devices such as APs, IP Cameras or IP Phones, etc.

Easy To Use

WI-PS150GF is easy to install and use. It requires no configuration and installation. With outstanding performance and quality, the WI-PS150GF 48FE+2Combo Gigabit Switch with 48-Port PoE is a great selection for expanding your home or office network.

Specifications

HARDWARE FEATURES	
Interface	48 10/100M POE Ports 2 1000M RJ45 Ports Combo 2 SFP Ports
Network Media	10 Base-T: Pair 2 Category 3 and above UTP/STP(≤100 m) 100Base-TX: Pair 2 Category 5 and above UTP/STP(≤100m) 1000Base-T: Pair 4 Category 5 and above UTP/STP(≤1 00m) 1000Base-SX:62.5μm/50μm MMF (2m~550m) 1000Base-LX:62.5μm/50 μm MM (2m~550 m) or 10μm SMF (2m~5000m)

HARDWARE FEATURES

Fan Quantity	Fan
Power Budget	700W
Internal Power Supply	AC110-265V 50/60HZ
PoE Ports (RJ45)	Standard: 802.3 af/at compliant PoE Ports: Port1- Port48 Power Supply: 700W
Exchange Capacity	13.6G
Mac Address Table	16K
Packet Forwarding Rate	10.1Mpps
Jumbo Frame	10240Bytes
Packet Buffer Memory	4Mb
Dimensions	Product Size: 440mm*290mm*45mm (L*W*H)

SOFTWARE FEATURES	
Transmission Method	Store-And-Forward
Advanced Functions	Priority Function Mac Address Auto-Learning And Auto-Aging Store and forward IEEE 802.3x flow control for Full-duplex Mode Backpressure for Half-duplex Mode

OTHERS	
Certification	CE, FCC, RoHS
Package Contents	POE Switch Electric Line Guide Book/Warranty Card
Environment	Working Temperature: -10°C ~ 55°C Storage temperature : -40°C ~ 70°C Working Humidity : 10% ~ 90% RH non-condensing Storage Hum idity: 5% ~ 90% RH non- condensing