



Installation Guide

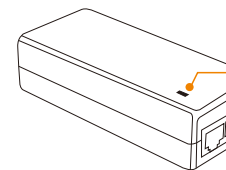
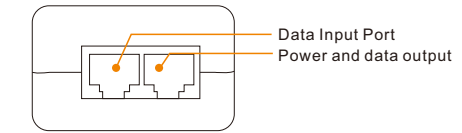
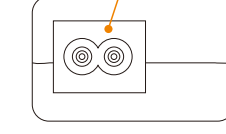
PoE Injector / PoE Splitter

www.wireless-tek.com

1. Hardware Introduction

1.1 WI-POE31-48V / WI-POE51-48V / WI-POE31-24V
WI-POE51-24V / WI-POE55-48V-60W

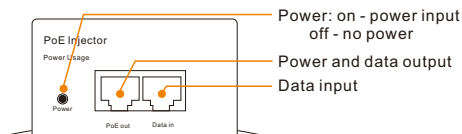
AC Power Input Socket



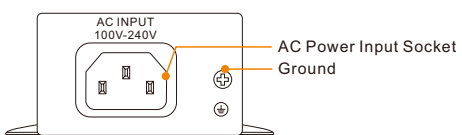
Power indicator: on - power input
off - no power

Package Contents: 1xPoE Injector 1xPower Cord 1x Quick Installation Guide

1.2 PoE injector -- WI-POE58-BT/WI-POE65-2.5G-60W



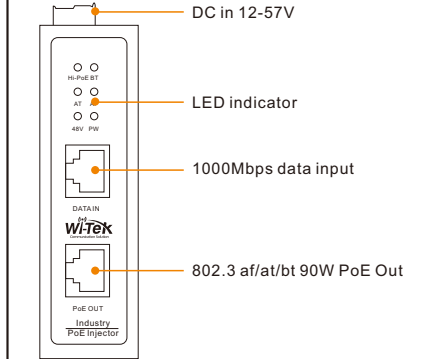
Power: on - power input
off - no power
Power and data output
Data input



AC Power Input Socket
Ground

Package Contents: 1xPoE Injector 1xPower Cord 1x Quick Installation Guide

1.3 PoE Injector -- WI-POE58-BT-I-DC



LED Indicator	Status	Description
Hi-PoE	On	Hi-PoE 60W input
	Off	No Hi-PoE input
BT	On	IEEE802.3af/at/bt 90W input
	Off	No IEEE802.3af/at/bt 90W input
AT	On	IEEE802.3at input
	Off	No IEEE802.3at input
AF	On	IEEE802.3af input
	Off	No IEEE802.3af input
48V	On	48V PoE Powered Device input
	Off	No 48V input
PW-Power	On	DC in 12V-57V
	Off	No DC in

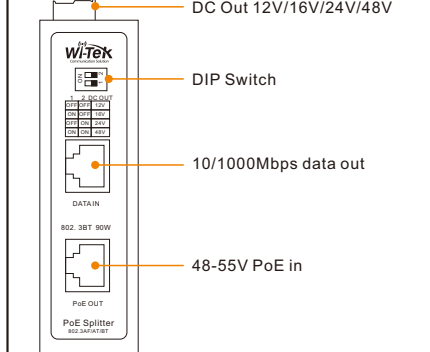
Package Contents: 1xPoE Injector 1xPower Cord 1x Quick Installation Guide

1.4 PoE Splitter --WI-POE11S-48V



Package Contents: 1xPoE Splitter

1.5 PoE Splitter --WI-POE55S-BT-I-DC

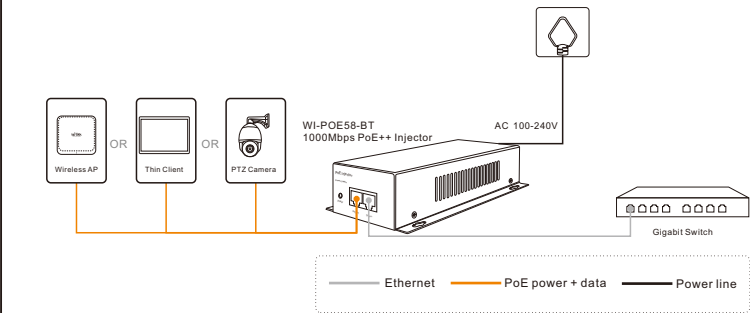


1	2	DC OUT
ON	OFF	12V
ON	OFF	16V
ON	OFF	24V
ON	OFF	48V

Package Contents: 1xPoE Injector 1xPower Cord 1x Quick Installation Guide

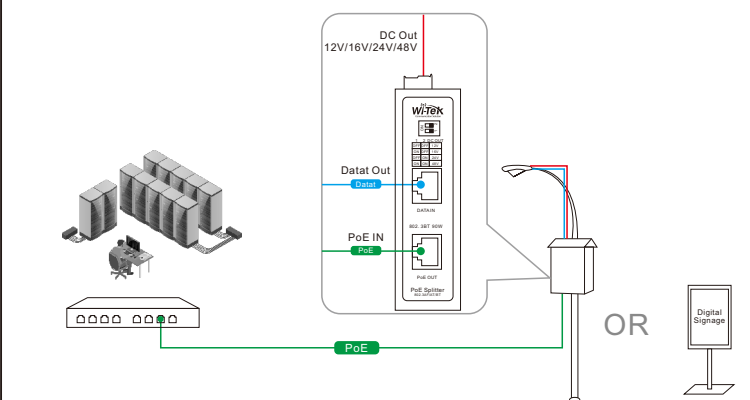
2. Hardware Installation

2.1 PoE Injector (WI-POE58-BT)



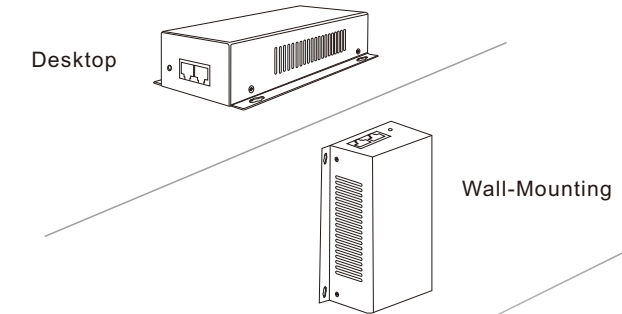
- 1.Connect an Ethernet device to the IN port of the PoE injector.
- 2.Connect a PoE Powered device to the OUT port of the PoE injector.
- 3.Use the power cord to connect the PoE Injector's
4. AC INPUT port.

2.2 PoE Splitter (WI-POE58-BT)

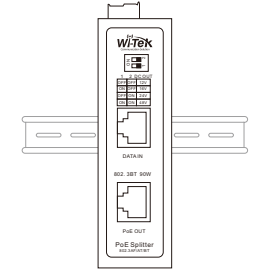


3. Installation Way

3.1 Wall Mount (Optional)



3.2 Din-rail Mount (Optional)



4. Product Family

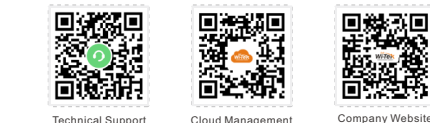
Product	Interface	Power Supply	Data IN	PoE OUT	Power Budget
WI-POE31-48V	2FE	AC IN 100-240V	100Mbps	802.3af/at	30W
WI-POE51-48V	2GE	AC IN 100-240V	1000Mbps	802.3af/at	30W
WI-POE31-24V	2FE	AC IN 100-240V	100Mbps	Passive 24V	24W
WI-POE51-24V	2GE	AC IN 100-240V	1000Mbps	Passive 24V	24W
WI-POE55-48V-60W	2GE	AC IN 110-240V	1000Mbps	Hi-PoE 60W	60W
WI-POE58-BT	2GE	AC IN 100-240V	1000Mbps	802.3 af/at/bt 90W	90W
WI-POE58-BT-I-DC	2GE	DC IN 12-57V	1000Mbps	802.3 af/at/bt 90W	90W

Product	Interface	PoE IN	Data Out	Power Out
WI-POE55S-BT-I-DC	2GE	48-55V PoE IN	1000Mbps	DC output 12V/16V/24V/48V
WI-POE11S-48V	2FE	802.3 af/at	100Mbps	DC output 12V

Warranty Card

Username	
Address	
Telephone No.	
Purchase Shop	
Purchase Address	
Product Model No.	
Purchase Time	
Serial No.	
Dealer Signature	

- If the product defects within three months after purchase, we will provide you a new product of the same model.
- If the product defects within the three-year warranty period, we will provide the professional maintenance service.
- Proof of purchase and a complete product serial number are required to receive any services guaranteed as part of the limited warranty.
- Any other defects that are not caused by workmanship or product quality, such as natural disaster, water damage, extreme thermal or environmental conditions, sticker damaged, warranty card losing will disqualify the product from limited warranty.



Wireless-Tek Technology Limited
Address: Biaofang Technology Building 402, Bao'an street,
Baoan District, Shenzhen City, Guangdong, China
Website:www.wireless-tek.com
Tel:86-0755-32811290
Email:sales@wireless-tek.com
Technical Support:tech@wireless-tek.com

