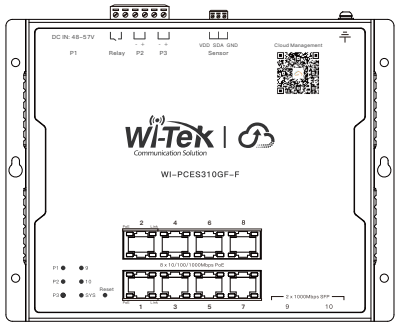


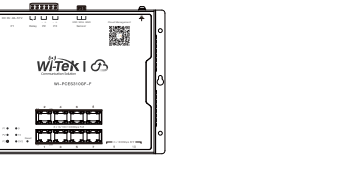
# Quick Installation Guide

Cloud Industrial Flat Easy Smart Switch



WI-PCES310GF-F

## 1. Packing Content



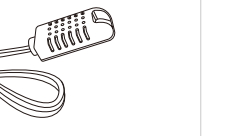
Switch x 1



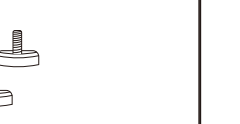
Quick Installation Guide x 1



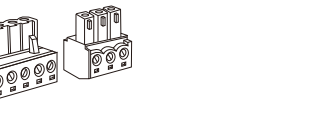
DIN-Rail Mounted Accessory (screw x 2, rail bracket x 1)



Temperature/Humidity Sensor x 1



Magnetic Accessory x 1

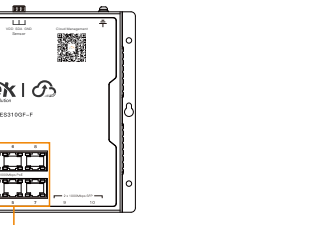


Phoenix Terminal x 2

## 2. Appearance Overview

### WI-PCES310GF-F

#### • Front Panel



- LED Indicators
- 2\*10/100/1000Mbps PoE++ Ports
- 6\*10/100/1000Mbps PoE+ Ports

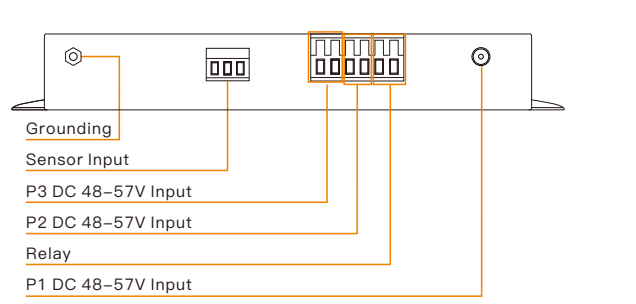
#### • Bottom Panel



- 2\*1000Mbps SFP Slots

## 3. Installation

#### • Top Panel

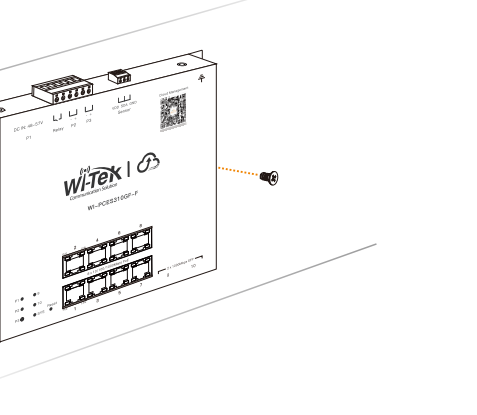


| PIN | Description         |
|-----|---------------------|
| VDD | Red----Power Line   |
| SDA | Yellow----Data line |
| GND | Black----Grounding  |

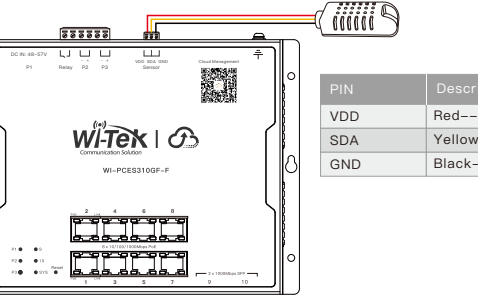
#### • LED Indicator and Button

| LED Indicator&Button | Description  |
|----------------------|--|
| SYS                  | Blinking:The system is working normally<br>Off:The system is being started or abnormal                                   |
| P1/P2/P3             | On: The device power on is normal<br>Off: The device is power off or failed  |
| Link                 | On: Port connected<br>Off: Port disconnected<br>Blinking: Data transmission  |
| PoE                  | On: There is a PoE PD connected to be port, which supply power successfully<br>Off: No PoE powered device (PD) connected |
| SFP Indicator(9, 10) | On: Port connected<br>Off: Port disconnected<br>Blinking: Data transmission  |
| Reset                | Hold for >5 sec. to restore factory default  |

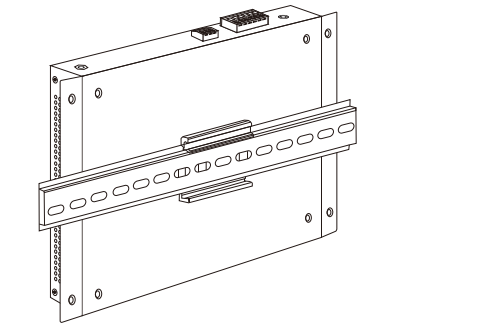
#### • Wall-mount Installation



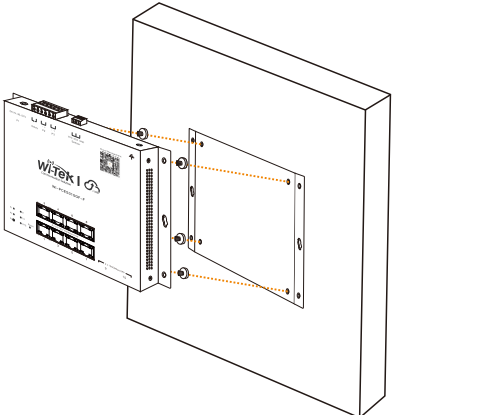
#### • Sequence of connecting the Temperature/Humidity sensor to the switch



#### • DIN-Rail Installation



#### • Magnetic-mount Installation



## 4. Configuration

#### • Log in to the switch locally

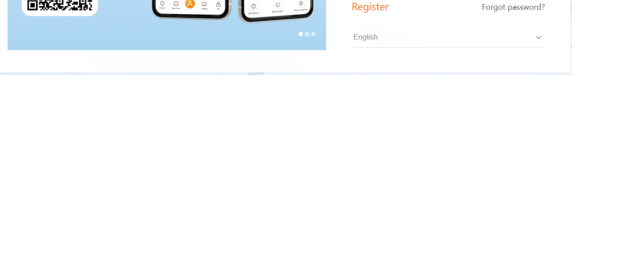
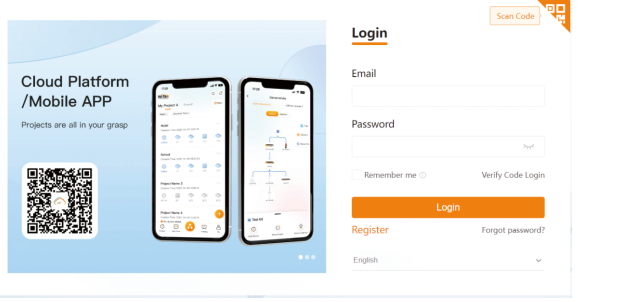
Let the Switch obtain an IP address and then check the DHCP server to see which IP address was assigned. The Switch is set to DHCP by default, so it will try to obtain an IP address automatically. If that fails, then it will use the default fallback IP address, 192.168.0.1

To log in, follow these steps:

1. Launch your web browser. you type the appropriate IP address in the address bar
2. The login screen will appear. The default username and password are both admin

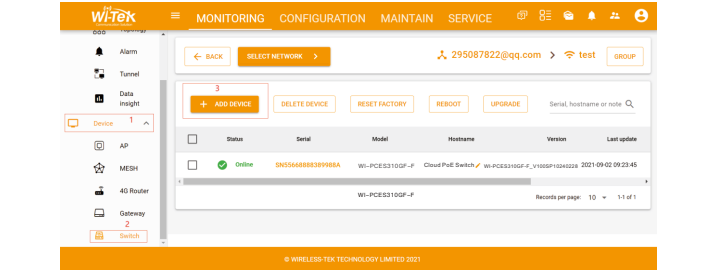
#### • Cloud login switch configuration

1. Log in to the cloud management interface (No account, you need to register an account to log in, The URL is: <http://cloud2.wireless-tek.com>)

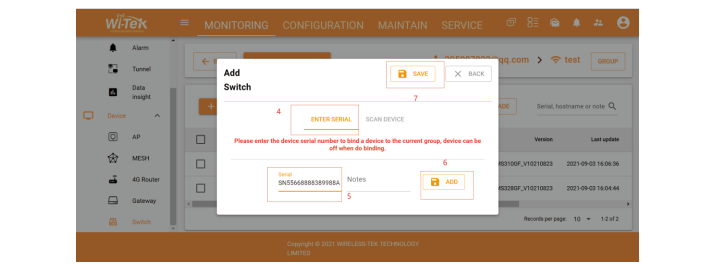
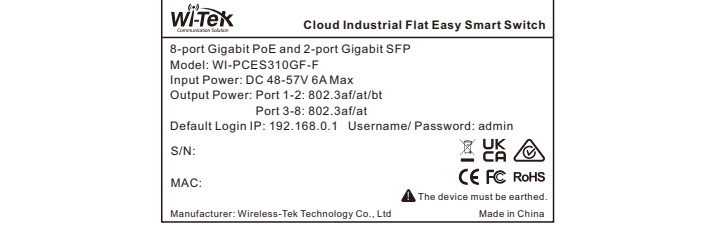


## 2. Enter the cloud binding switch

(explain:The switch must be connected to the Internet to bind successfully)

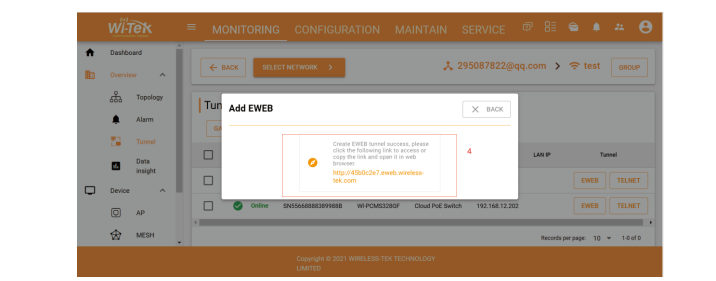
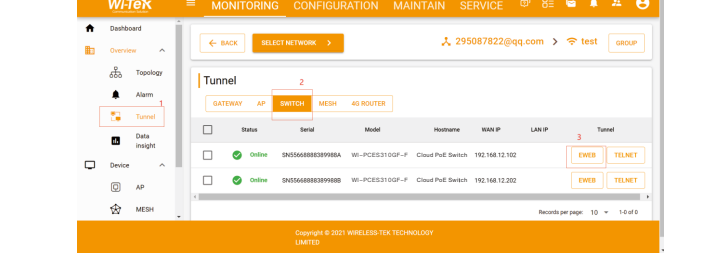


Please enter the device serial number to bind a device to the current group, device can be off when binding. (Explanation: The 17-digit SN code of the switch is shown on the sticker on the back of the switch as shown in the figure below)



## 3. After binding, you can use the Switch in the Tunnel option in the cloud management, and then choose to use EWEB or TELNET to enter the switch.

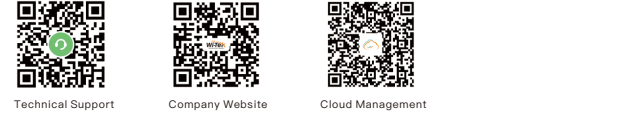
(After entering the switch, you can configure it based on your own needs)  
**Note: The EWEB channel can be created only when the easy smart switch is linked with the other type of Wi-Tek cloud management device, such as cloud L2, L3 management switch, gateway, wireless AP, etc.**



## Warranty Card

|                   |  |
|-------------------|--|
| Username          |  |
| Address           |  |
| Telephone No.     |  |
| Purchase Shop     |  |
| Purchase Address  |  |
| Product Model No. |  |
| Purchase Time     |  |
| Serial No.        |  |
| Dealer Signature  |  |

- If the product defects within three months after purchase, we will provide you with a new product of the same model.
- If the product defects within the three-year warranty period, we will provide professional maintenance service.
- Proof of purchase and a complete product serial number are required to receive any services guaranteed as part of the limited warranty.
- Any other defects that are not caused by workmanship or product quality, such as natural disasters, water damage, extreme thermal or environmental conditions, sticker damaged, warranty card loss will disqualify the product from limited warranty.



Wireless-Tek Technology Limited  
 Address: Building 3, Units 1801-1807, 1812, Huaqiang Era Plaza, Tangwei Community, Fuhai Street, Bao'an District, Shenzhen City, Guangdong Province, China.  
 Website: [www.wireless-tek.com](http://www.wireless-tek.com)  
 Tel: 86-0755-32811290  
 Email: [sales@wireless-tek.com](mailto:sales@wireless-tek.com)  
 Technical Support: [tech@wireless-tek.com](mailto:tech@wireless-tek.com)