

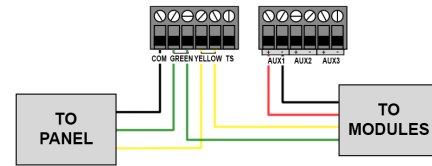
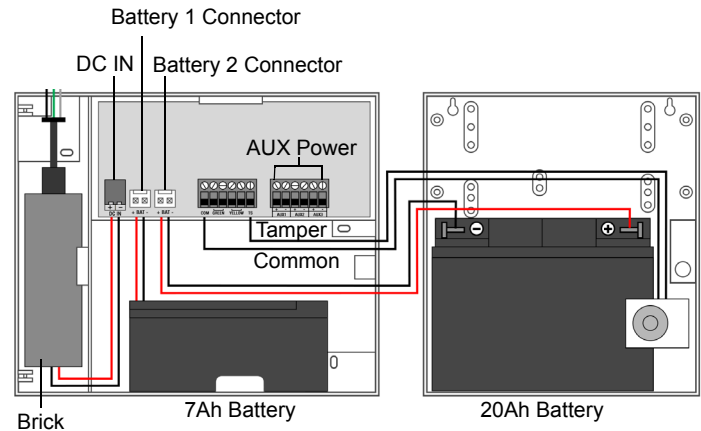
P ▲ R ▲ G ▲ D O X™



PS45

**75W 100-240 Vac to 15 Vdc
Supervised Backup
Power Supply
EVO/MG/SP**

Installation Manual



Note: Adequate breaking capacity circuit shall be connected in series with the AC input. A plug on the power supply cord is used as the disconnect device.

Upgrading Firmware

The PS45's firmware can be upgraded in Infield via BabyWare using a 307USB Direct Connect Interface.

LED

LED	OFF	ON
AC	No power	AC present (Green)
BATT	No battery or AC fail	Battery present
BUS	No connection to the panel	Panel is online
1A	If current is below 1A	If current is between 1A and 2.5A (Green)
2.5A	If current is below 2.5A	If current is between 2.5A and 4A (Green)
4A	If current is below 4A	If current is above 4A (Orange)

Introduction

The PS45 is a 75W supervised or standalone backup battery multi-purpose power supply. Mainly designed to power up, up to 10 video cameras, or any 13.8V rated devices. With up to 27 Ah battery backup capability, the PS45 will provide a reliable robust backup power solution.

Compatibility

- EVO192, EVOHD all versions
- MG5000, MG5050, SP5500, SP6000, SP7000 v6.80 and higher
- BabyWare v5.2 and higher
- Infield v5.2 and higher

Connections

Connect the 4-wire cable (BLK GRN YEL) on the panel bus, there is no need to connect the RED. Connect the battery (7Ah and up to a 20Ah additional battery) to the BATT terminals on the board using the provided cable. Connect the brick power supply's DC output to the PS45's DC in 15 VDC + - terminals.

Up to an 20Ah additional battery may be added in an external box thus providing 27Ah battery backup. Separate battery and external box tamper connectors are located on the PS45 board. Connect wires to the tamper and common terminals, no enrollment is needed, it will auto detect the tamper once the terminal is shorted and it will follow panel configuration.

Note that any combination of outputs can be wired in parallel to combine output power. Combine outputs 1 and 2 for one output of 3A. Combine outputs 1, 2 and 3 one output of 4.5A.

It is recommended that the PS45 be installed on a wall.



Programming EVO

1. Enter section **[3038]**.
2. Select option **[7]** to enable or disable Tamper supervision on the bus module. Default is disabled.
3. Enter section **[3034]**. Select option **[5]** and **[6]** to define Keypad/Bus Module Tamper Recognition options. Refer to the table below.

Options		Description
5	6	
OFF	OFF	Disabled
OFF	ON	Trouble only
ON	OFF	When armed: Follows zone types for zone tamper; generates trouble for module tamper When disarmed: Trouble only
ON	ON	When armed: Follows zone types When disarmed: generates audible alarm

4. Enter section **[4003]**.
5. Enter the PS45's eight-digit module serial number.
6. Enter the three-digit module section number you wish to program.
7. Enter section **[002]**. The value programmed in this section represents how long the Power Supply Module will wait before reporting an AC power failure to the control panel. The trouble and trouble restore will be generated after the AC fail delay of the module.
8. Enter a three-digit decimal value (000 to 255 minutes). Default is set 30 minutes.

Programming MGSP

1. Enter section **[700]**.
2. Select option **[7]** to enable or disable Tamper supervision on the bus module. Default is disabled.
3. Enter section **[705]**. Select option **[3]** and **[4]** to define Keypad/Bus Module Tamper Recognition options. Refer to the table below.

Options		Description
3	4	
OFF	OFF	Disabled
OFF	ON	Trouble only
ON	OFF	When armed: Audible alarm When disarmed: Trouble only
ON	ON	Audible alarm

4. Enter section **[839]**. The value programmed in this section represents how long the Power Supply Module will wait before reporting an AC power failure.
5. Enter a three-digit decimal value (000 to 255 minutes). Default is set 30 minutes.

Technical Specifications

AC Power	100 to 240 Vac, 50-60 Hz
Auxiliary Voltage Output	15 Vdc +/- 5% AC or battery backup
Auxiliary Current Output	4.0A maximum continuous current, cut off at 4.5A
Battery	7 Ah in single box installation 7 Ah (single box) + 20 Ah in dual box installation
Charging	500 mA to 1500 mA, adaptive
Operating Temperature	-20 to +50 °C (-4 to 122 °F)
Humidity	95% maximum
Bus Supervision	AC, Battery, Aux voltage status and Consumption, Tamper
Dimensions (H x W x D) and Weight	25.4 x 27.3 x 8.9 cm (10 x 10.75 x 3.5 in.) 1.3 kg (2.86 lbs.)

Warranty

For complete warranty information on this product, please refer to the Limited Warranty Statement is found on the website: www.paradox.com/terms or contact your local distributor. Specifications may change without prior notice.

Patents

US, Canadian and international patents may apply. Paradox is a trademark or registered trademark of Paradox Security Systems (Bahamas) Ltd.