

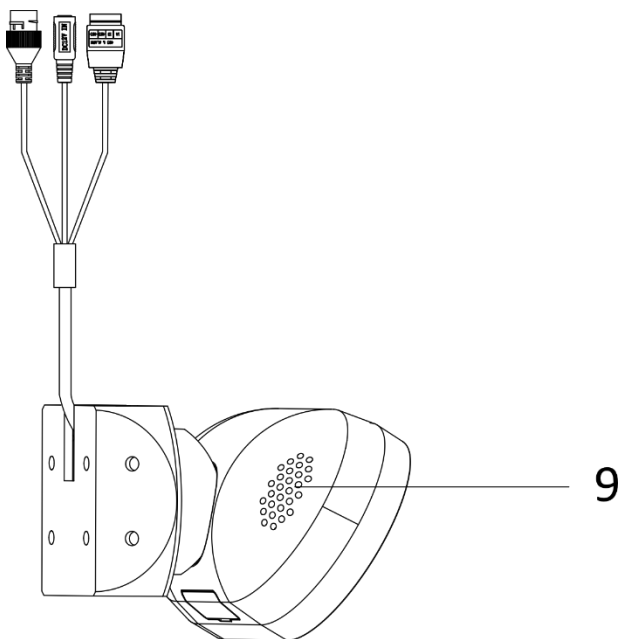
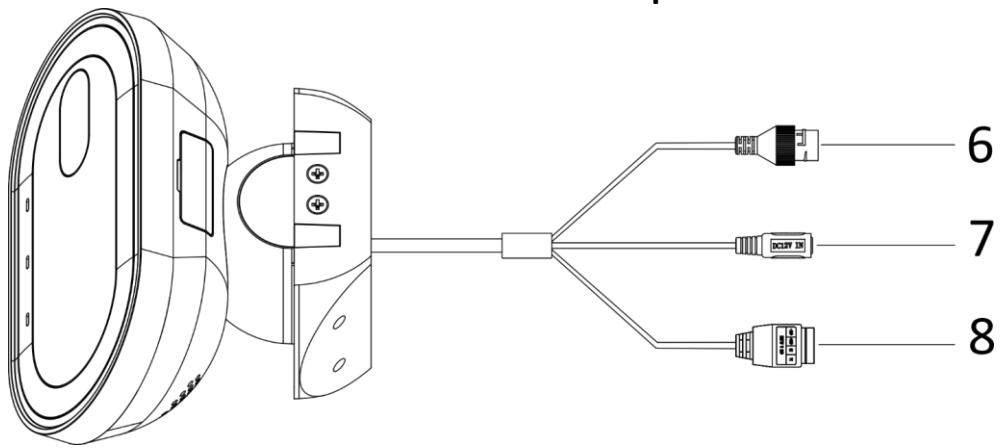
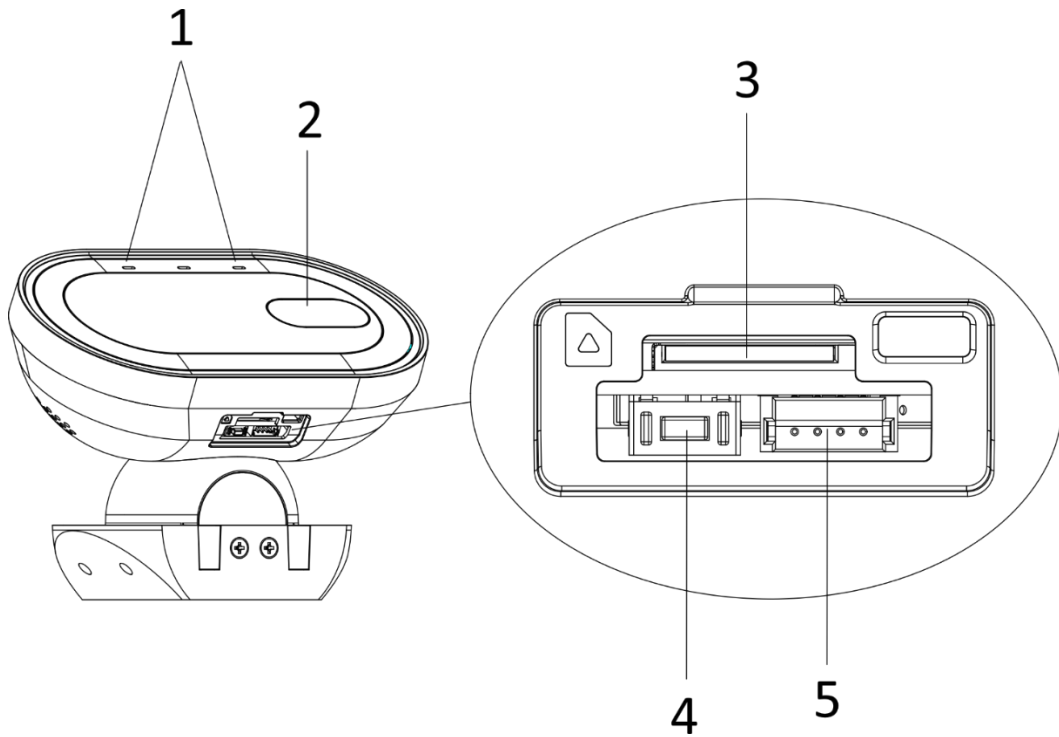


Thermal Presence Detector

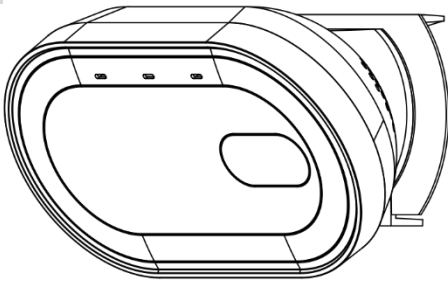
Quick Start Guide

Thermal Presence Detector	English	15
Thermischer Anwesenheitsmelder	Deutsch	18
Détecteur thermique de présence	Français	22
Detector térmico de presencia	Español	26
Detetor de presença térmico	Português	29
Termorilevatore di presenza	Italiano	33
Termální detektor přítomnosti	Čeština	37
Teplocitlivý detektor prítomnosti osôb	Slovenčina	40
Termiczny czujnik obecności	Polski	43
Termikus jelenlét-érzékelő	Magyar	47
Detector de prezentă termic	Română	50
Detector thermale aanwezigheid	Nederlands	54
Termisk tilstedeværelsesdetektor	Dansk	58
Termisk nærværsdeteksjon	Norsk	61
Lämmön läsnäolon tunnistin	Suomi	64
Termisk närvarodetektor	Svenska	67
Тепловой датчик присутствия	Русский	71
Termal Varlık Dedektörü	Türkçe	75
熱源検知器	日本語	78
열 감지기	한국어	81
熱顯像儀	繁體中文	85

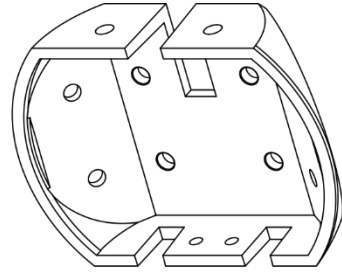
A



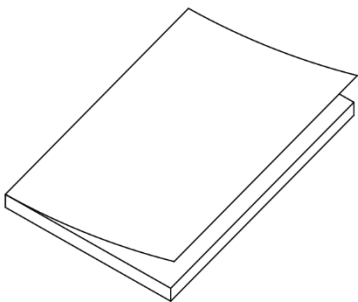
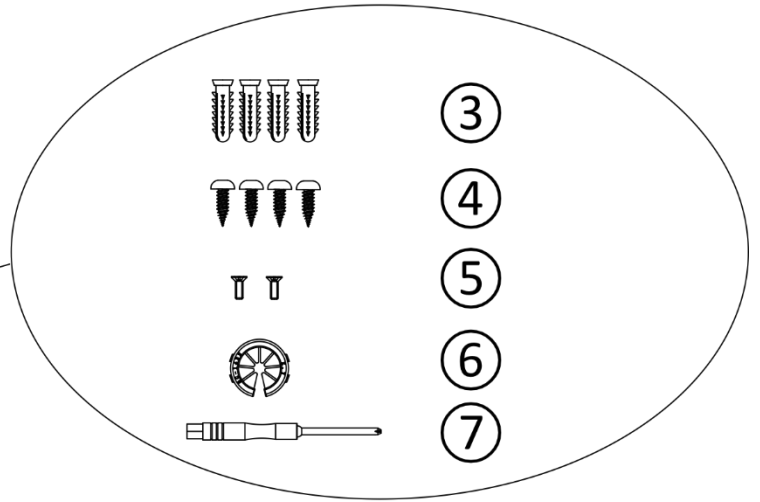
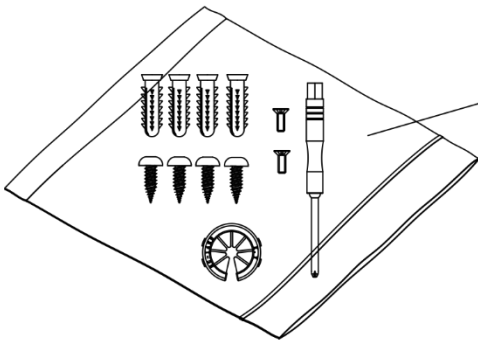
B



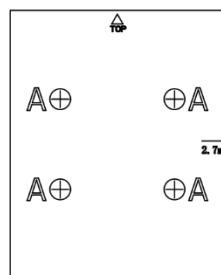
①



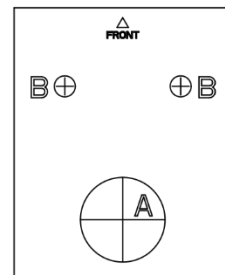
②



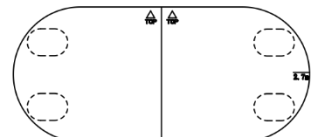
⑧



⑨

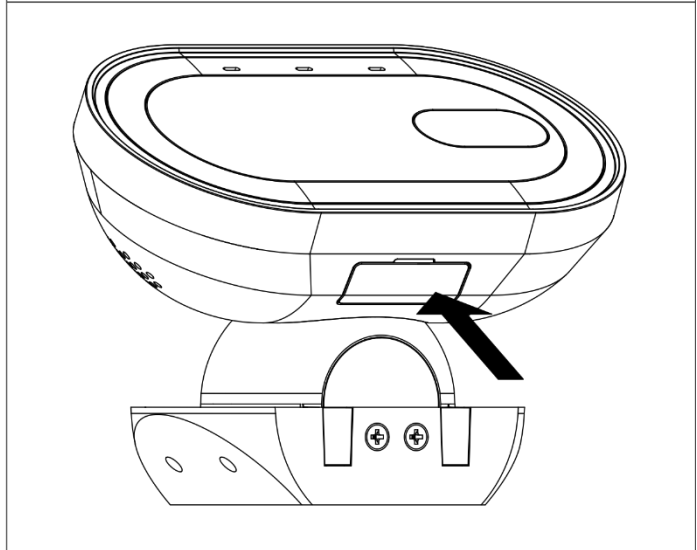
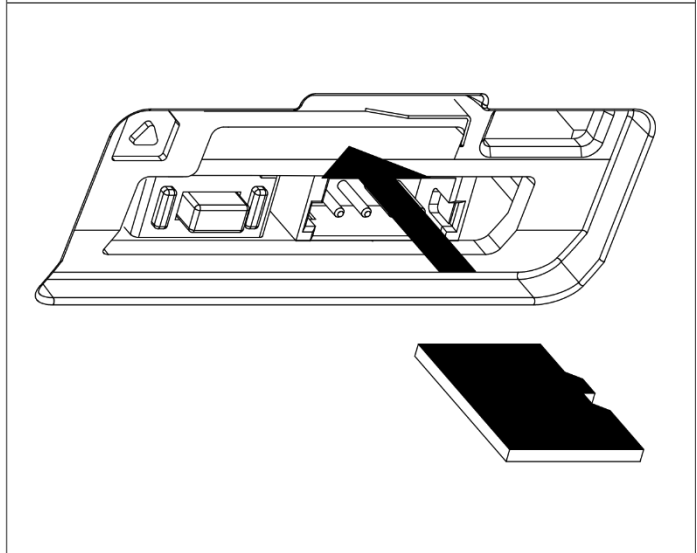
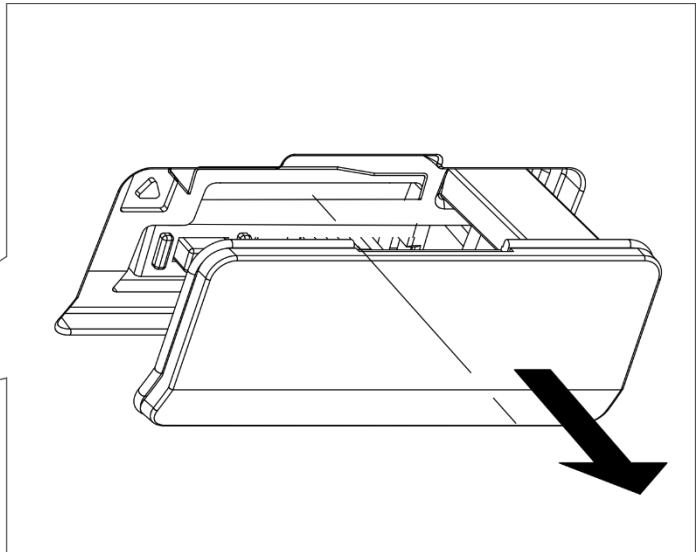
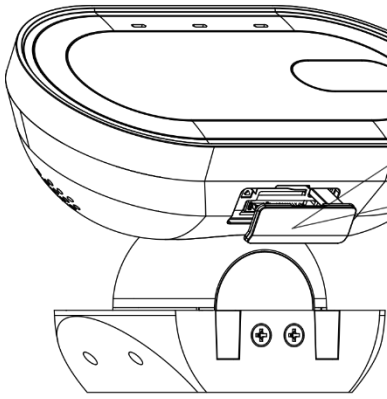


⑩



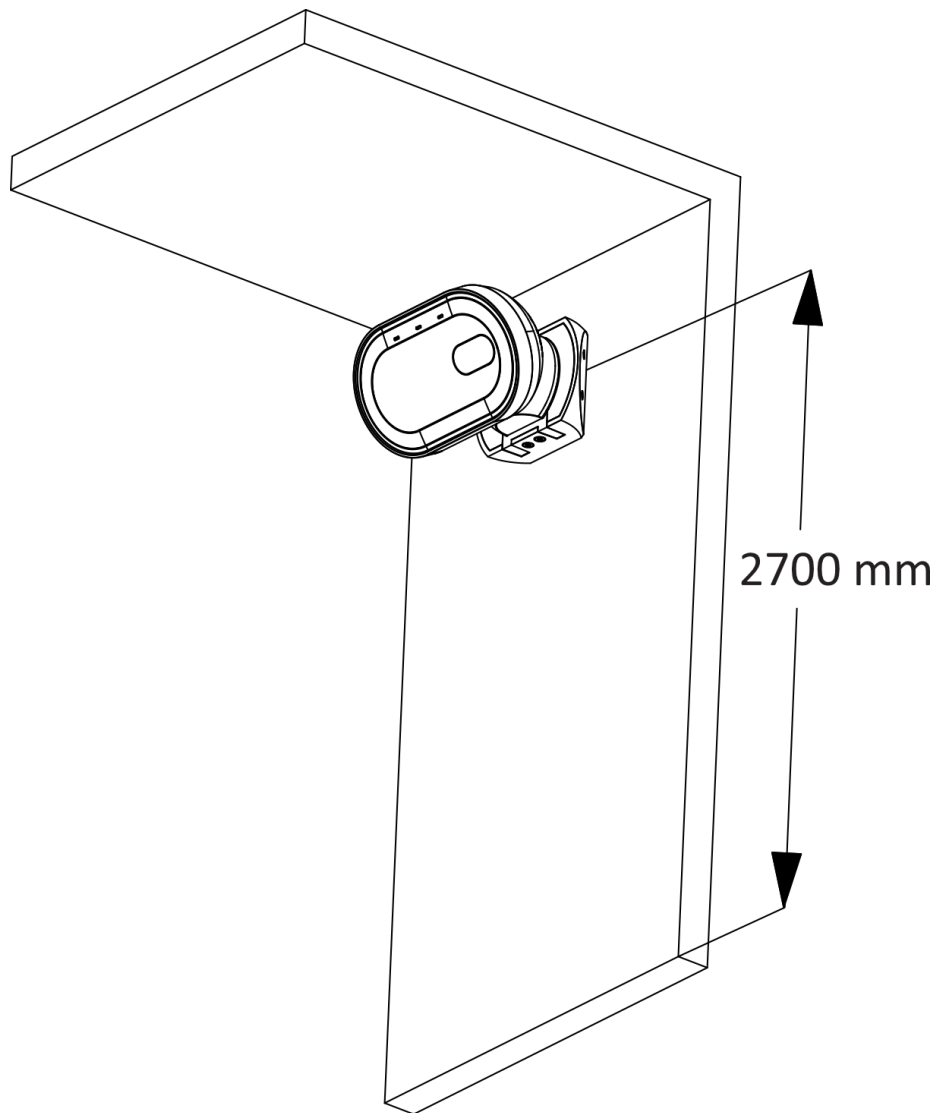
⑪

C

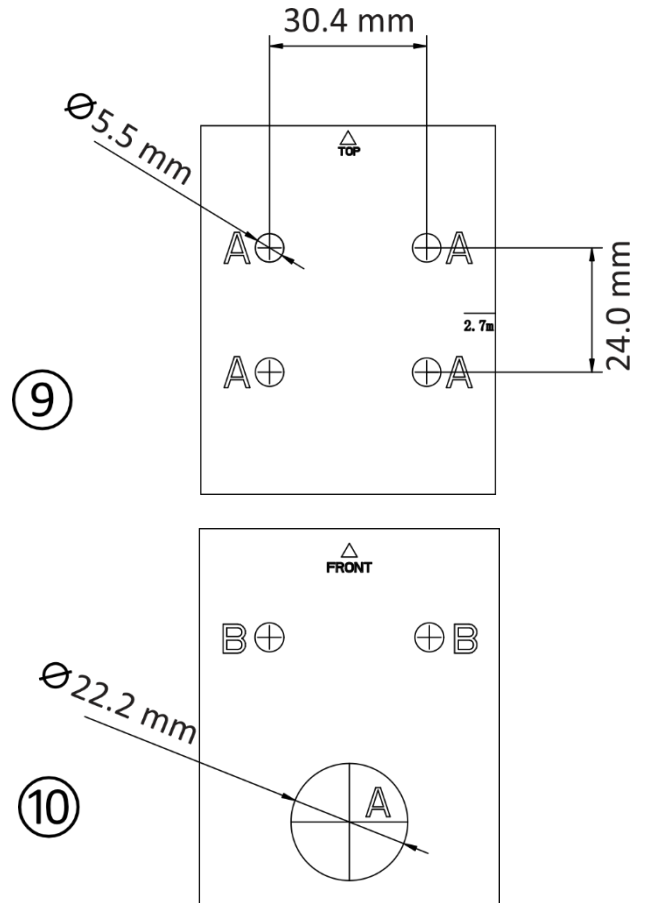
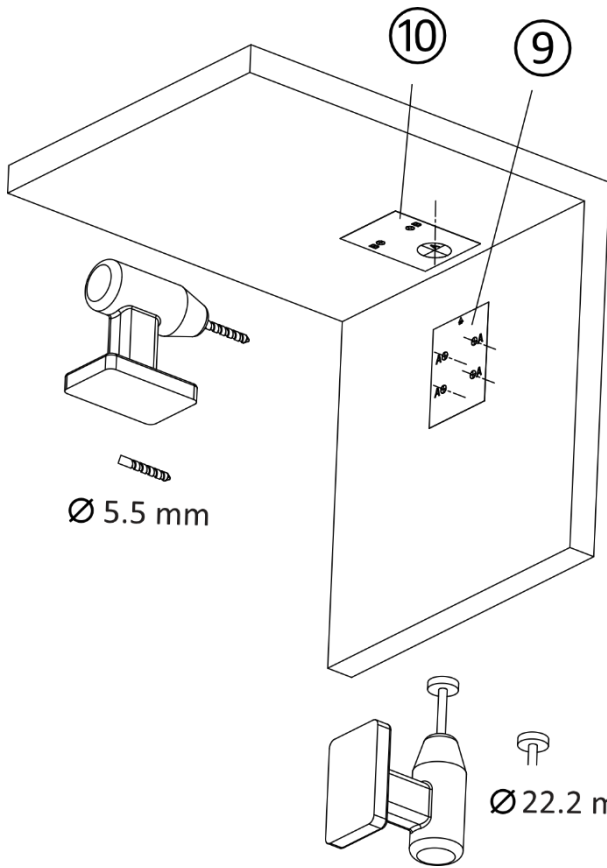


D

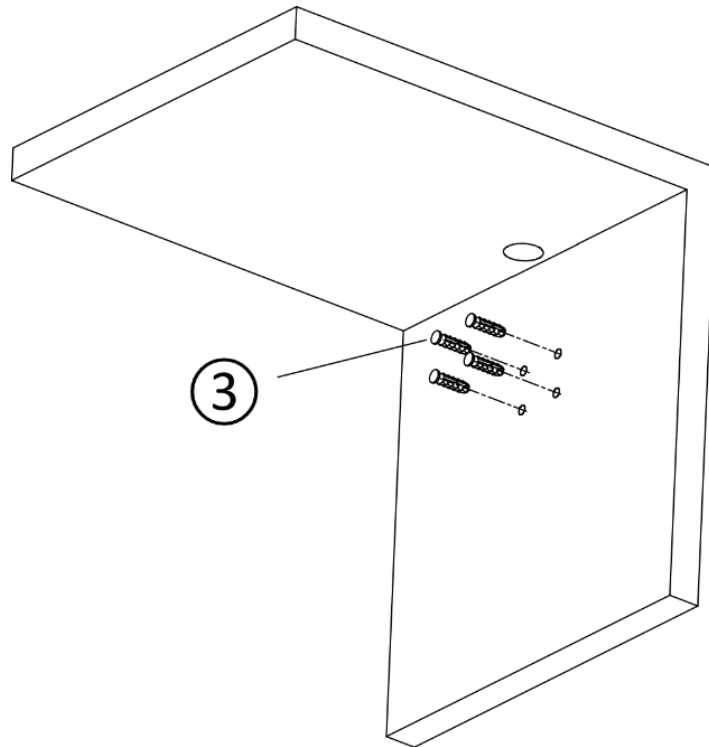
1.1



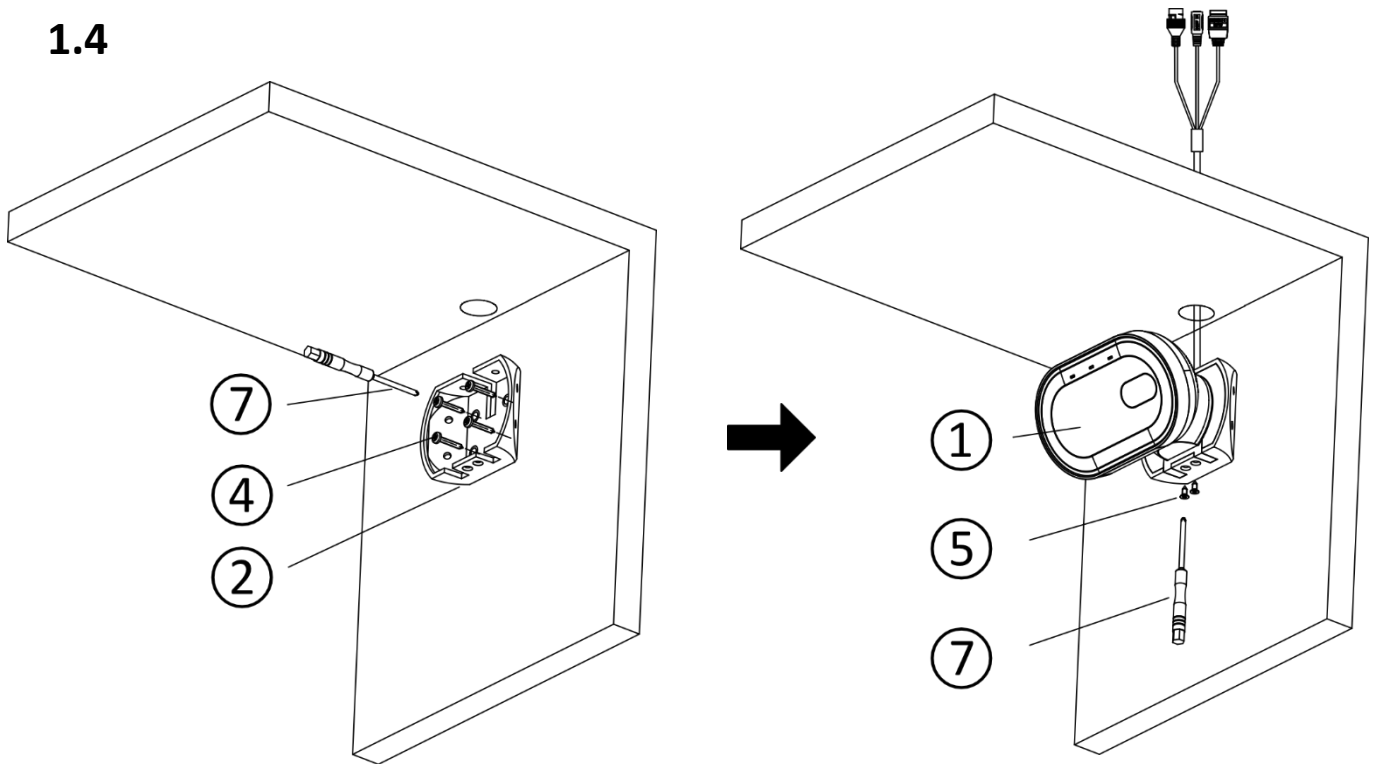
1.2



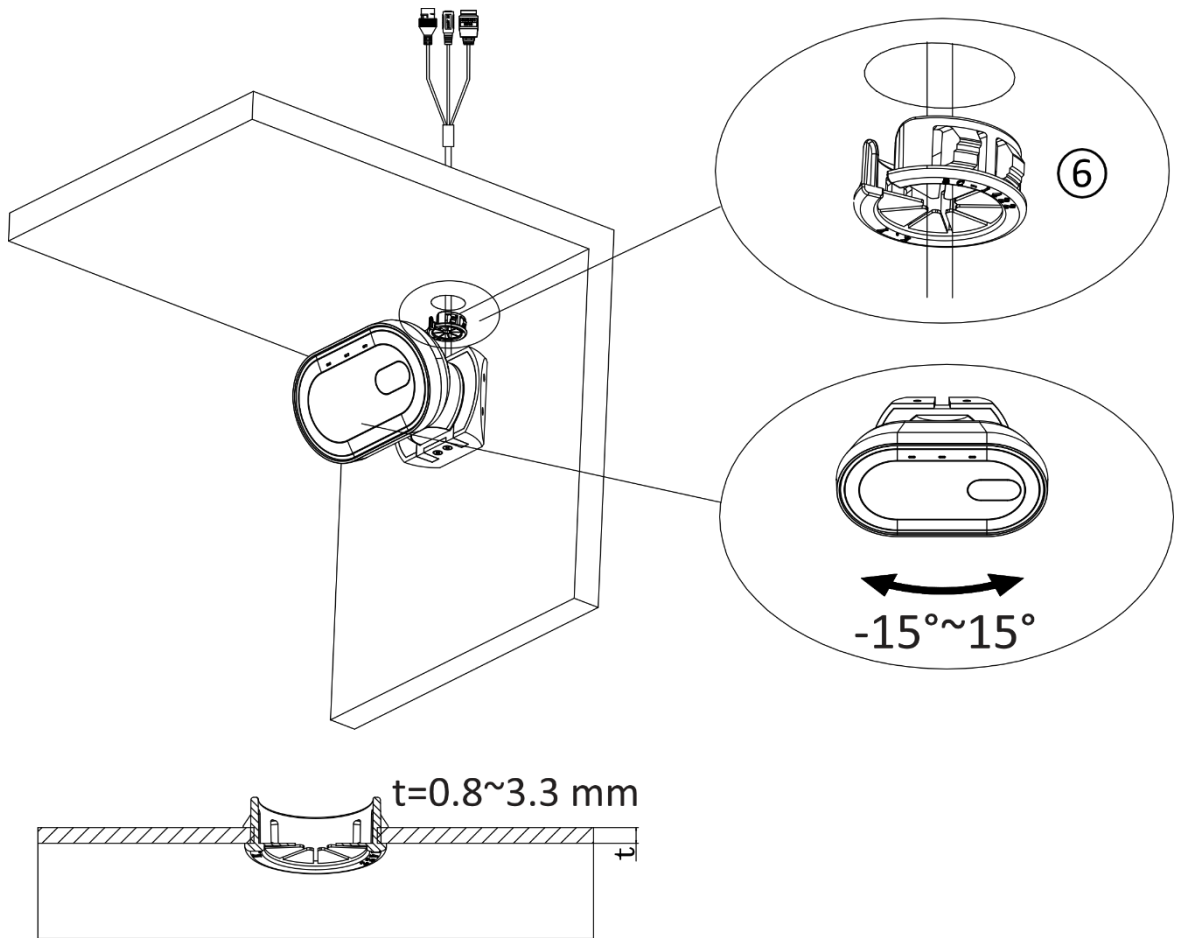
1.3



1.4

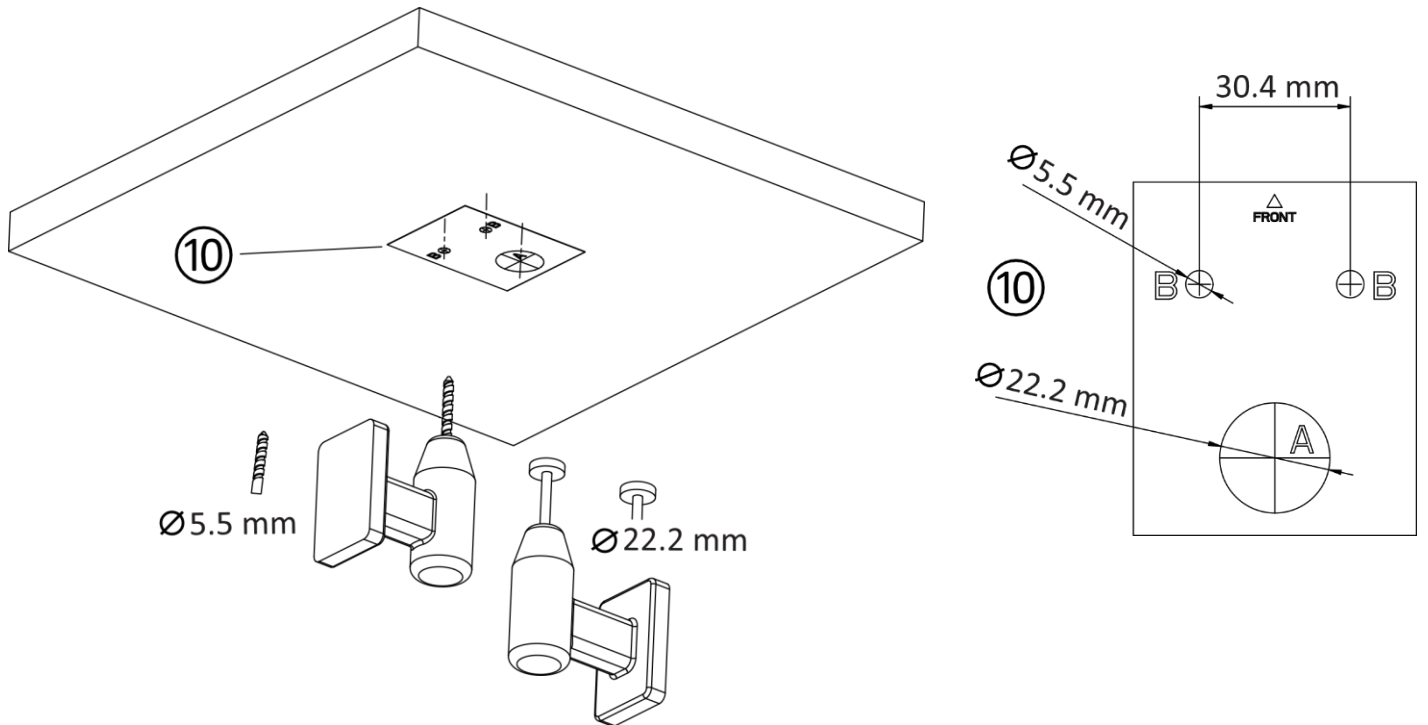


1.5

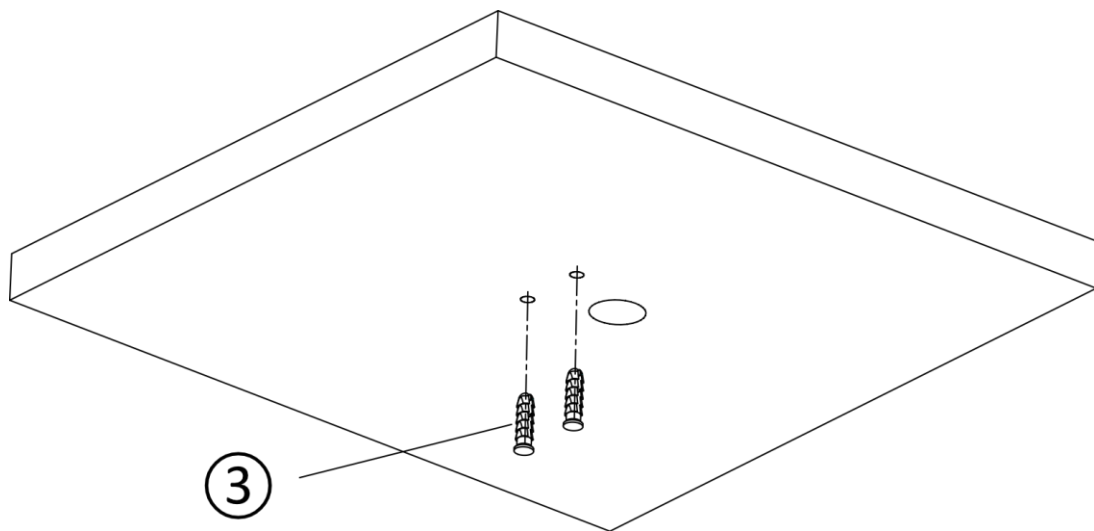


E

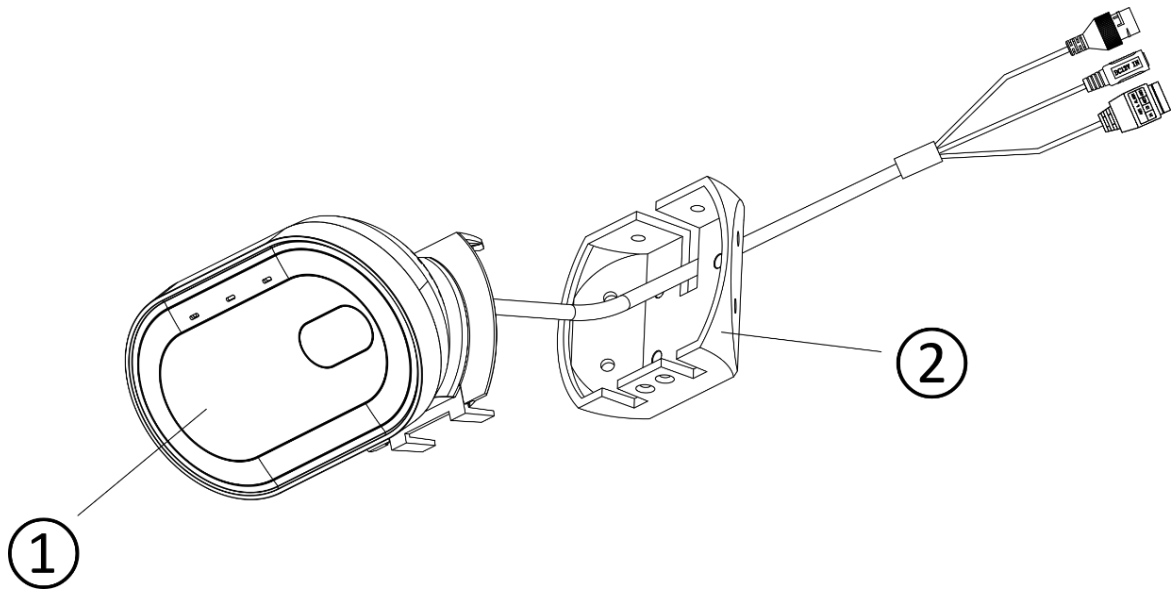
2.1



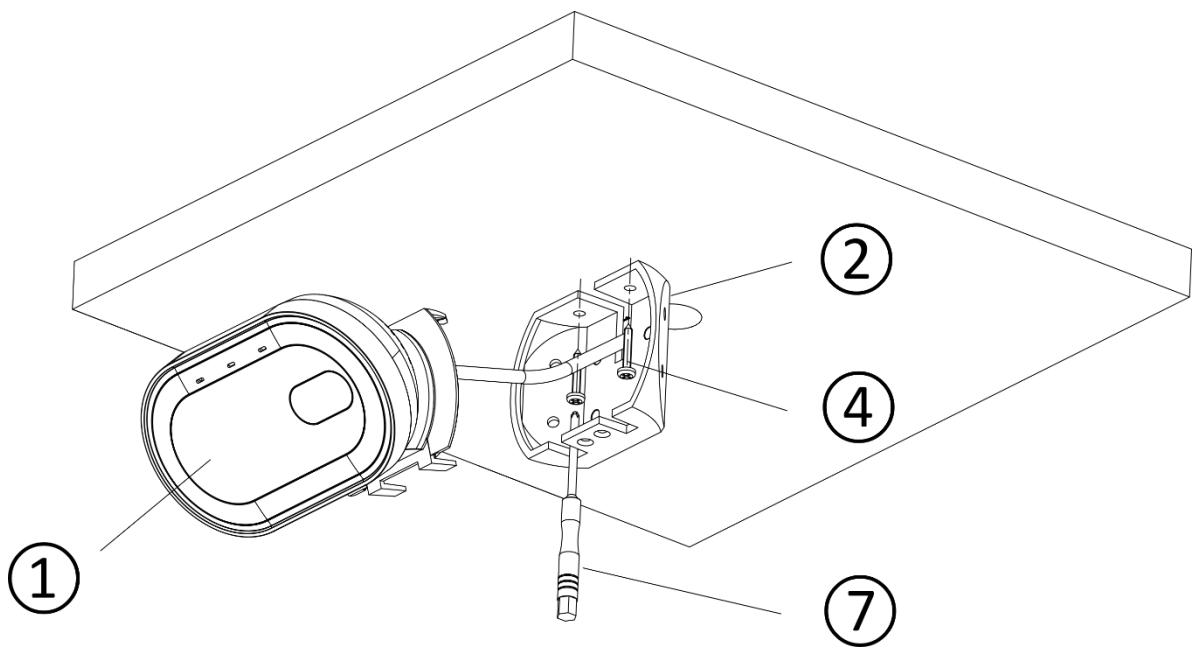
2.2



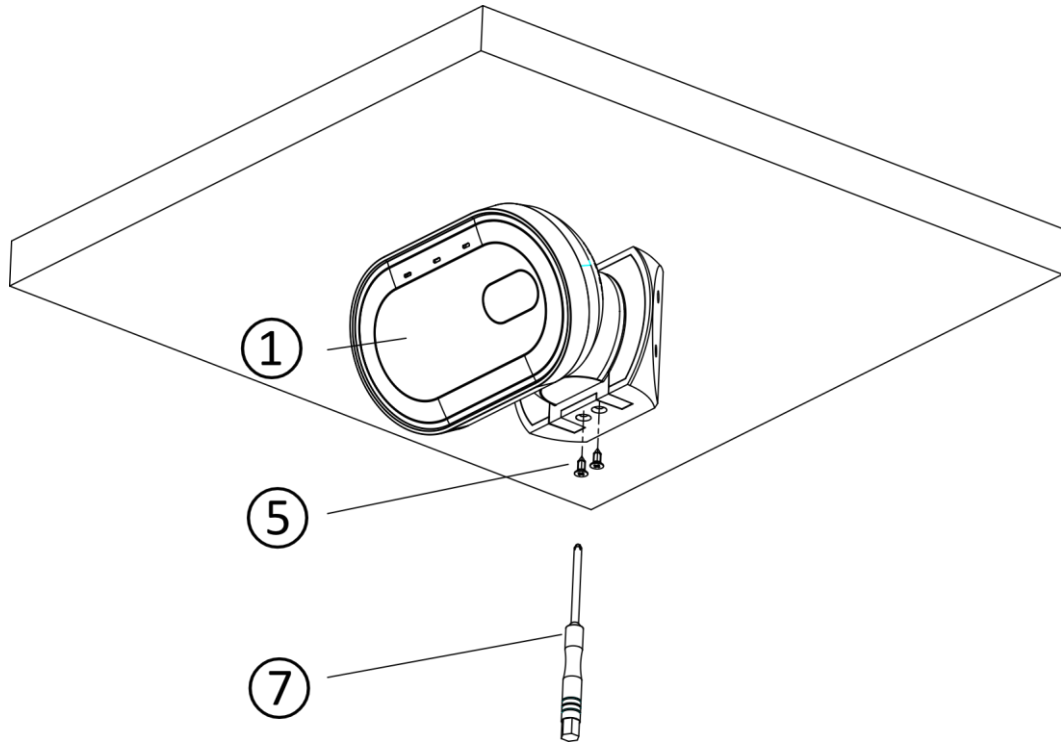
2.3



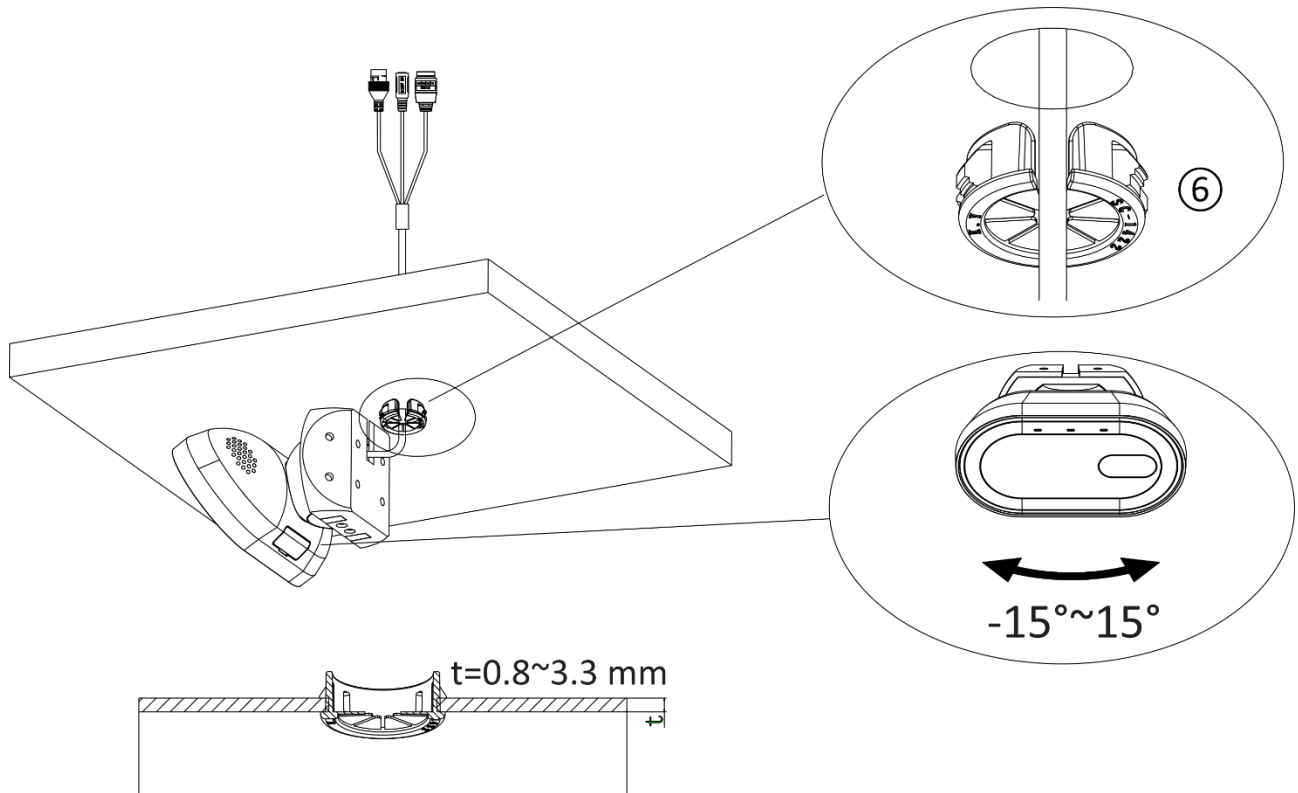
2.4



2.5

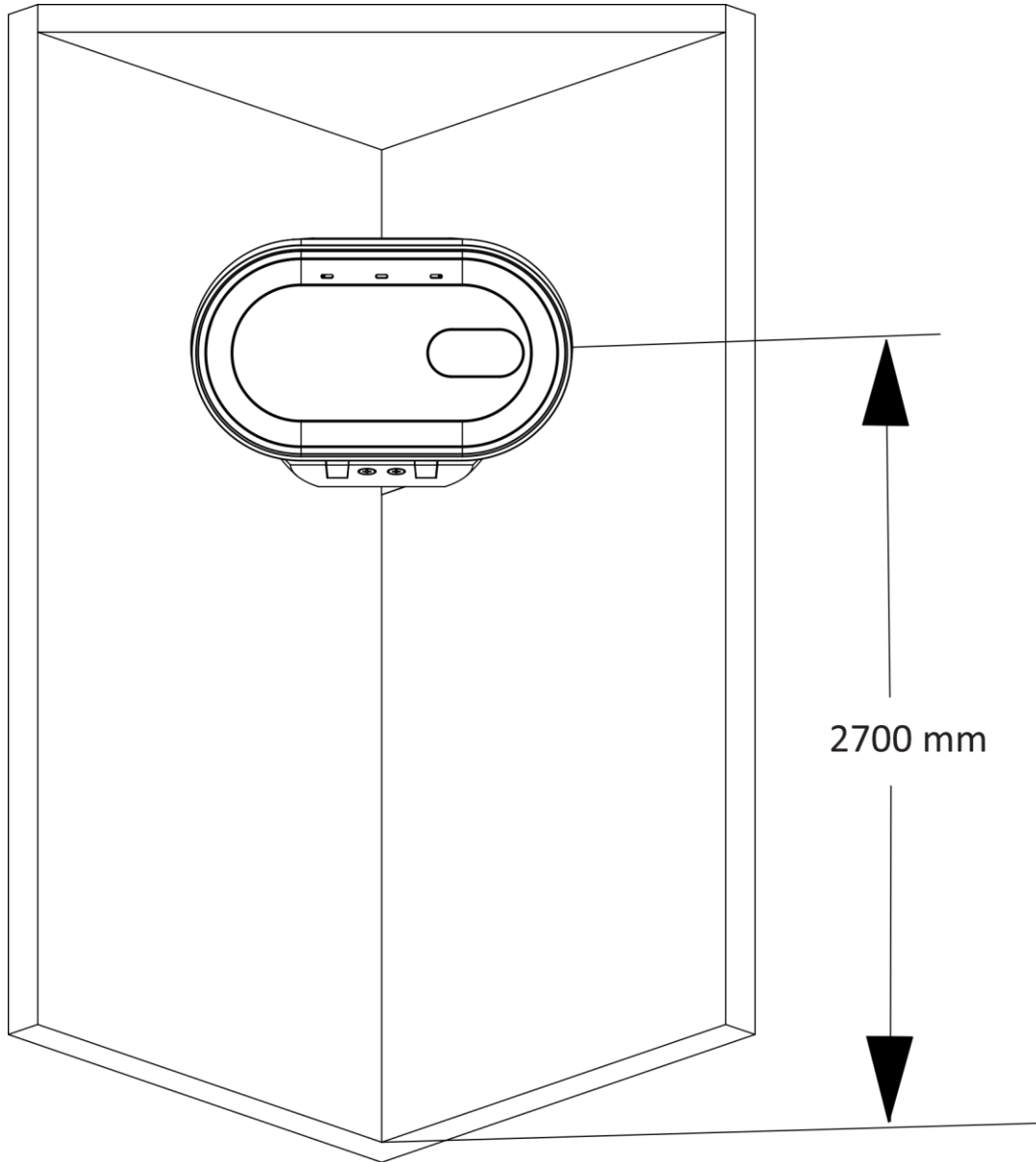


2.6

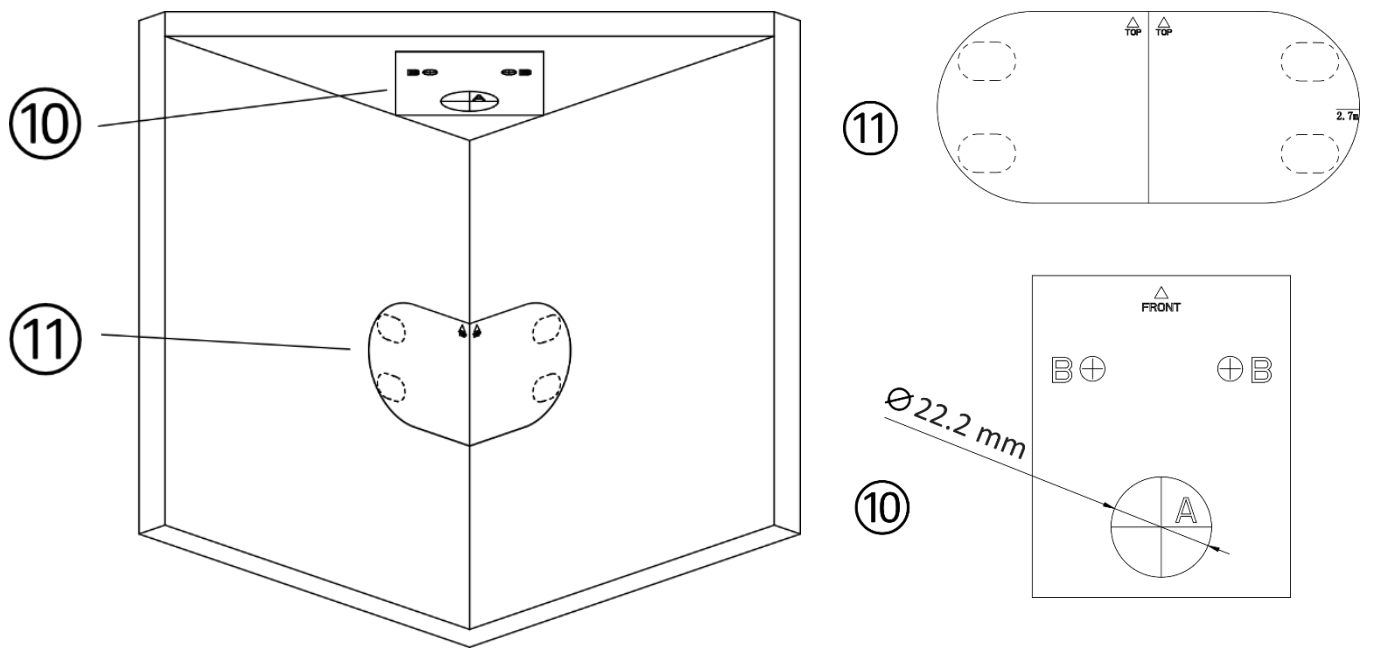


F

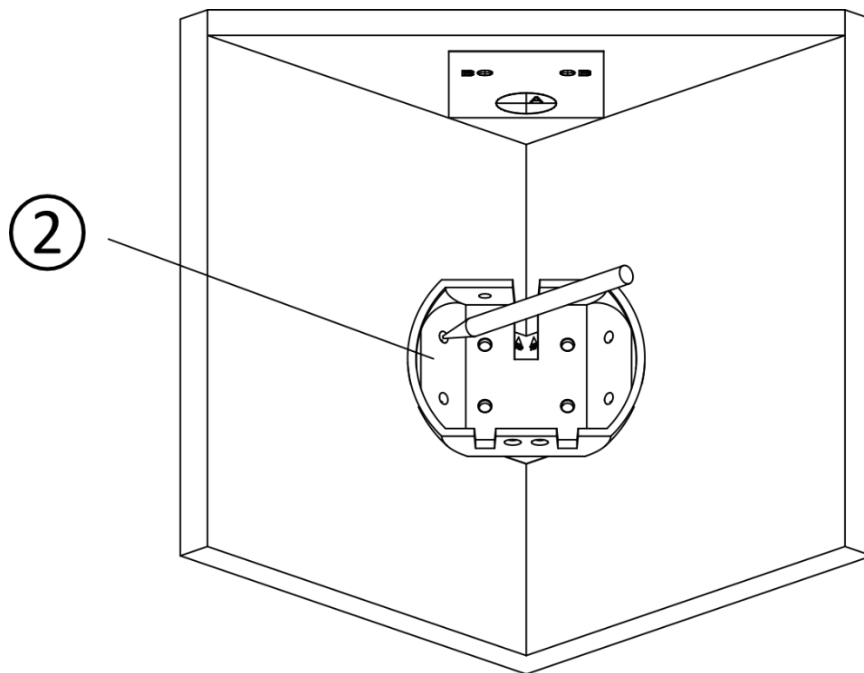
3.1



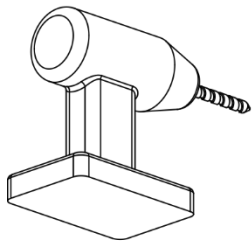
3.2



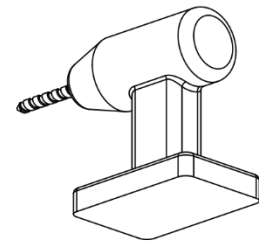
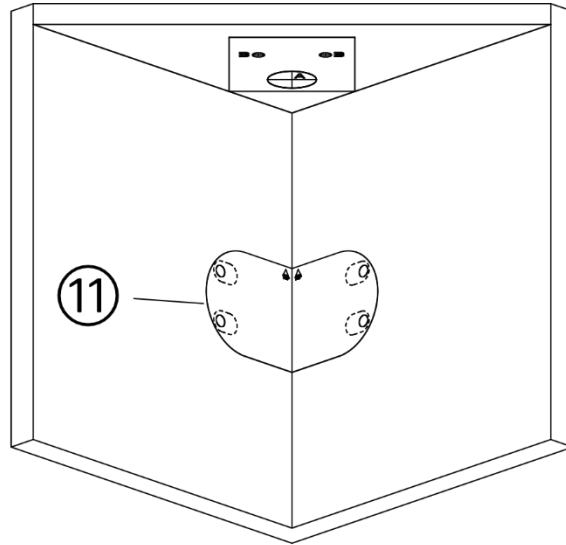
3.3



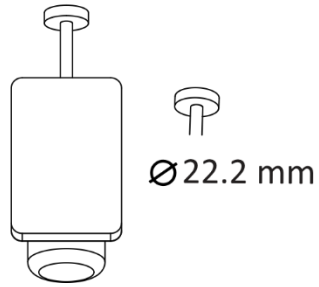
3.4



Ø5.5 mm

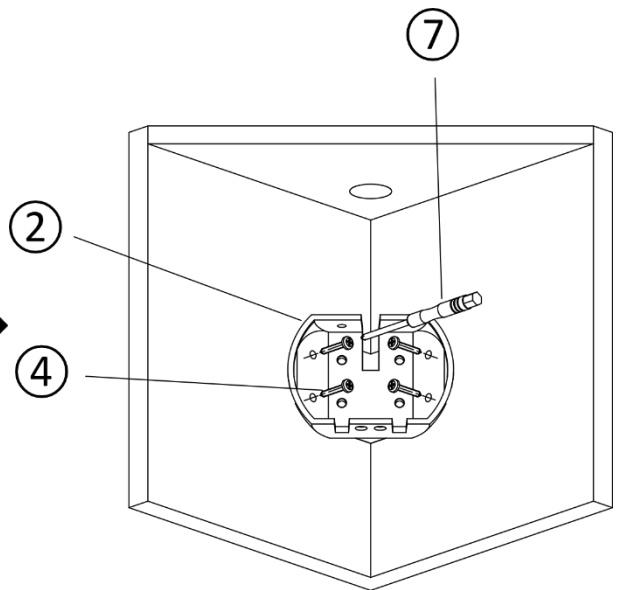
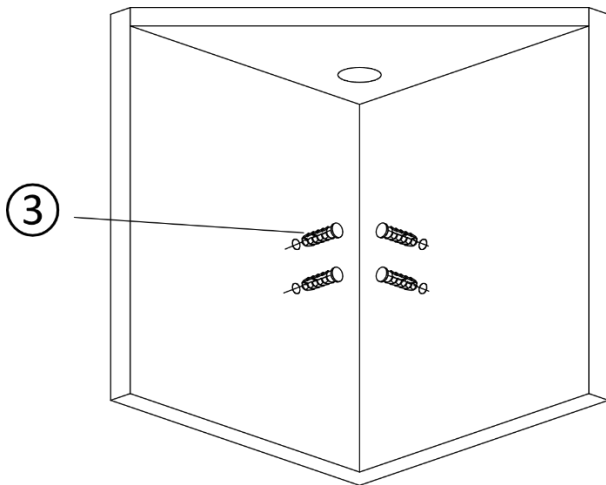


Ø5.5 mm

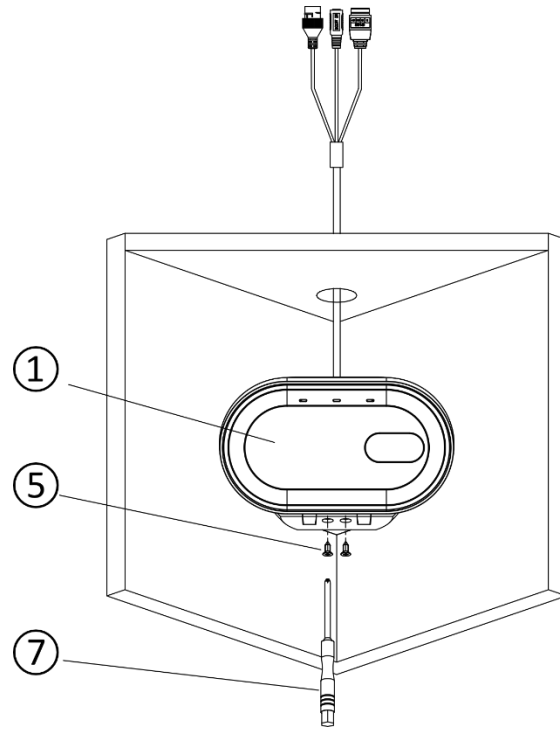


Ø22.2 mm

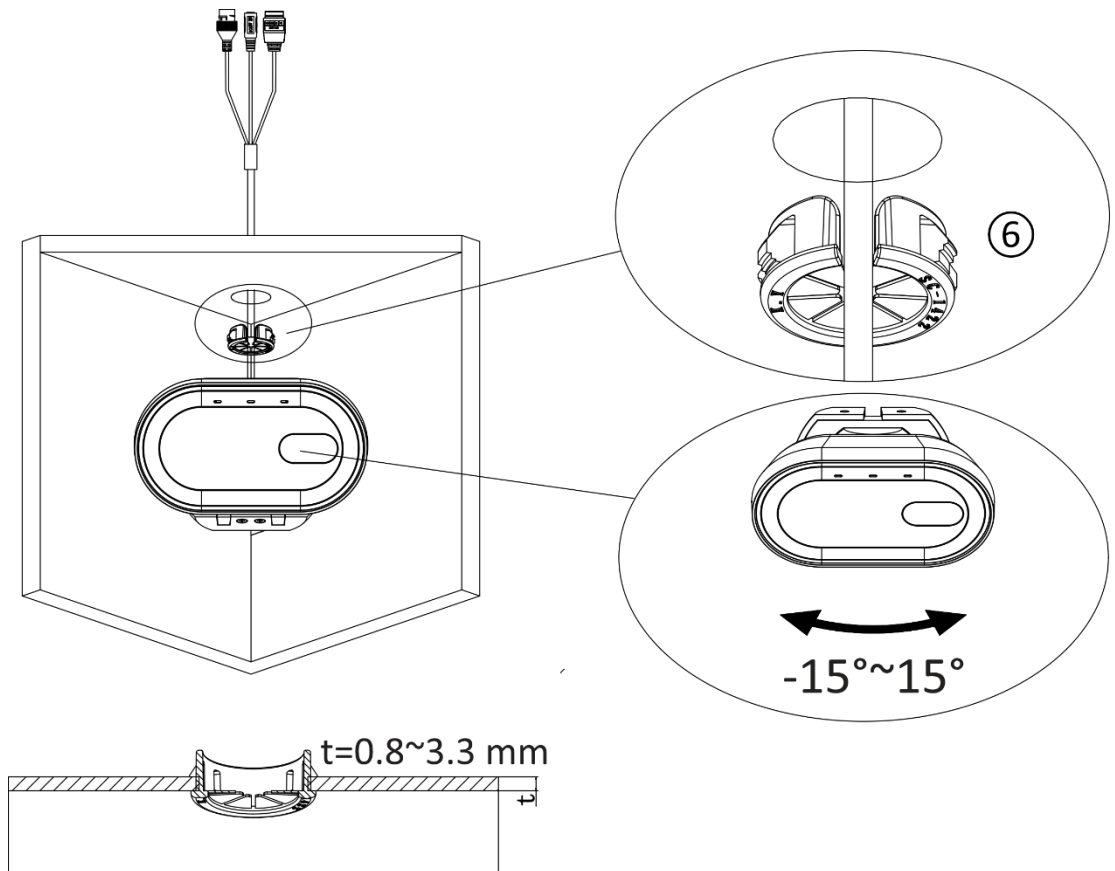
3.5



3.6



3.6





Product appearance is for reference only and may differ from the actual product.

Interface and Button – Page A

No.	Function	No.	Function
1	Microphone	6	Network Cable
2	Thermal Lens	7	Power Cable
3	MicroSD Card Slot	8	RS-485 & Alarm Interface
4	Reset Button	9	Loudspeaker
5	Serial Port		

Note:

The serial port of the equipment is used for debugging only.

**This device can detect falls within a detection distance of 4 m. As an assistive device, this device cannot ensure that all falls can be detected within its range. Fall down detection may be affected under special circumstances. To ensure detection accuracy, this device is recommended to be mounted on an interior wall with a mounting height of 2.7 m. Please make sure that no mirrors, metal products, and other obstructions appear directly in front of this device.*

User Manual

For detailed information, refer to the user manual of the device.




© 2022 Hangzhou Microimage Software Co., Ltd. All rights reserved.

About this Manual

The Manual includes instructions for using and managing the product. Pictures, charts, images and all other information hereinafter are for description and explanation only. The information contained in the document is subject to change, without notice, due to firmware updates or other reasons. Please find the latest version in the company website (<http://www.hikmicrotech.com>).

Please use this document under the guidance of professionals.

Trademarks

 and other HIKMICRO's trademarks and logos are the properties of HIKMICRO in various jurisdictions.

Other trademarks and logos mentioned are the properties of their respective owners.

DISCLAIMER

TO THE MAXIMUM EXTENT PERMITTED BY APPLICABLE LAW, THIS MANUAL AND THE PRODUCT DESCRIBED, WITH ITS HARDWARE, SOFTWARE AND FIRMWARE, ARE PROVIDED "AS IS" AND "WITH ALL FAULTS AND ERRORS". HIKMICRO MAKES NO WARRANTIES, EXPRESS

OR IMPLIED, INCLUDING WITHOUT LIMITATION, MERCHANTABILITY, SATISFACTORY QUALITY, OR FITNESS FOR A PARTICULAR PURPOSE. THE USE OF THE PRODUCT BY YOU IS AT YOUR OWN RISK. IN NO EVENT WILL HIKMICRO BE LIABLE TO YOU FOR ANY SPECIAL, CONSEQUENTIAL, INCIDENTAL, OR INDIRECT DAMAGES, INCLUDING, AMONG OTHERS, DAMAGES FOR LOSS OF BUSINESS PROFITS, BUSINESS INTERRUPTION, OR LOSS OF DATA, CORRUPTION OF SYSTEMS, OR LOSS OF DOCUMENTATION, WHETHER BASED ON BREACH OF CONTRACT, TORT (INCLUDING NEGLIGENCE), PRODUCT LIABILITY, OR OTHERWISE, IN CONNECTION WITH THE USE OF THE PRODUCT, EVEN IF HIKMICRO HAS BEEN ADVISED OF THE POSSIBILITY OF SUCH DAMAGES OR LOSS.

YOU ACKNOWLEDGE THAT THE NATURE OF THE INTERNET PROVIDES FOR INHERENT SECURITY RISKS, AND HIKMICRO SHALL NOT TAKE ANY RESPONSIBILITIES FOR ABNORMAL OPERATION, PRIVACY LEAKAGE OR OTHER DAMAGES RESULTING FROM CYBER-ATTACK, HACKER ATTACK, VIRUS INFECTION, OR OTHER INTERNET SECURITY RISKS; HOWEVER, HIKMICRO WILL PROVIDE TIMELY TECHNICAL SUPPORT IF REQUIRED.

YOU AGREE TO USE THIS PRODUCT IN COMPLIANCE WITH ALL APPLICABLE LAWS, AND YOU ARE SOLELY RESPONSIBLE FOR ENSURING THAT YOUR USE CONFORMS TO THE APPLICABLE LAW. ESPECIALLY, YOU ARE RESPONSIBLE, FOR USING THIS PRODUCT IN A MANNER THAT DOES NOT INFRINGE ON THE RIGHTS OF THIRD PARTIES, INCLUDING WITHOUT LIMITATION, RIGHTS OF PUBLICITY, INTELLECTUAL PROPERTY RIGHTS, OR DATA PROTECTION AND OTHER PRIVACY RIGHTS. YOU SHALL NOT USE THIS PRODUCT FOR ANY PROHIBITED END-USES, INCLUDING THE DEVELOPMENT OR PRODUCTION OF WEAPONS OF MASS DESTRUCTION, THE DEVELOPMENT OR PRODUCTION OF CHEMICAL OR BIOLOGICAL WEAPONS, ANY ACTIVITIES IN THE CONTEXT RELATED TO ANY NUCLEAR EXPLOSIVE OR UNSAFE NUCLEAR FUEL-CYCLE, OR IN SUPPORT OF HUMAN RIGHTS ABUSES. IN THE EVENT OF ANY CONFLICTS BETWEEN THIS MANUAL AND THE APPLICABLE LAW, THE LATTER PREVAILS.

Regulatory Information

These clauses apply only to the products bearing the corresponding mark or information.

FCC Information

Please take attention that changes or modification not expressly approved by the

party responsible for compliance could void the user's authority to operate the equipment.

(1) this device may not cause harmful interference, and

(2) this device must accept any interference received, including interference that may cause undesired operation.

FCC Compliance

Note: This product has been tested and found to comply with the limits for a Class B digital device, pursuant to part 15 of the FCC Rules. These limits are designed to provide reasonable protection against harmful interference in a residential installation. This product generates, uses, and can radiate radio frequency energy and, if not installed and used in accordance with the instructions, may cause harmful interference to radio communications.

However, there is no guarantee that interference will not occur in a particular installation. If this product does cause harmful interference to radio or television reception, which can be determined by turning the equipment off and on, the user is encouraged to try to correct the interference by one or more of the following measures:

—Reorient or relocate the receiving antenna.

—Increase the separation between the equipment and receiver.

—Connect the equipment into an outlet on a circuit different from that to which the receiver is connected.

—Consult the dealer or an experienced radio/TV technician for help.

EU Conformity Statement



This product and - if applicable - the supplied accessories too are marked with "CE" and comply therefore with the applicable harmonized European standards listed under the Directive 2014/30/EU (EMCD), Directive 2014/35/EU (LVD), Directive 2011/65/EU (RoHS).



Directive 2012/19/EU (WEEE Directive): Products marked with this symbol cannot be disposed of as unsorted municipal waste in the European Union. For proper recycling, return this product to your local supplier upon the purchase of equivalent new equipment, or dispose of it at designated collection points. For more information see: www.recyclethis.info



Directive 2006/66/EC and its amendment 2013/56/EU (Battery Directive): This product contains a battery that cannot be disposed of as unsorted municipal waste in the European Union. See the product documentation for specific battery information. The battery is marked with this symbol, which may include lettering to indicate cadmium (Cd), lead (Pb), or mercury

(Hg). For proper recycling, return the battery to your supplier or to a designated collection point. For more information see:

www.recyclethis.info

Use the power adapter provided by a qualified manufacturer. Refer to the product specification for detailed power requirements.

Use the battery provided by a qualified manufacturer. Refer to the product specification for detailed battery requirements.

Industry Canada ICES-003 Compliance

This device meets the CAN ICES-003 (B) / NMB-003 (B) standards requirements.

This device complies with Industry Canada licence-exempt RSS standard(s). Operation is subject to the following two conditions:

(1) this device may not cause interference, and
(2) this device must accept any interference, including interference that may cause undesired operation of the device.

Le présent appareil est conforme aux CNR d'Industrie Canada applicables aux appareils radioexempts de licence. L'exploitation est autorisée aux deux conditions suivantes :

(1) l'appareil ne doit pas produire de brouillage, et

(2) l'utilisateur de l'appareil doit accepter tout brouillage radioélectrique subi, même si le brouillage est susceptible d'en compromettre le fonctionnement.

This equipment complies with IC RSS-102 radiation exposure limits set forth for an uncontrolled environment.

ce matériel est conforme aux limites de dose d'exposition aux rayonnements, CNR-102 énoncée dans un autre environnement.

KC

B 급 기기: 이 기기는 가정용(B 급) 전자파적합기기로서 주로 가정에서 사용하는 것을 목적으로 하며, 모든 지역에서 사용할 수 있습니다.

Safety Instructions

These instructions are intended to ensure that user can use the product correctly to avoid danger or property loss.

Laws and Regulations

The device should be used in compliance with local laws, electrical safety regulations, and fire prevention regulations.

Transportation

- Keep the device in original or similar packaging while transporting it.
- Keep all wrappers after unpacking them for future use. In case of any failure occurred, you need to return the device to the factory with the original wrapper.
- Transportation without the original wrapper may result in damage on the device and the company shall not take any responsibilities.

- Do not drop the product or subject it to physical shock. Keep the device away from magnetic interface.

Power Supply

- Please purchase the charger by yourself. Input voltage should meet the Limited Power Source (12 VDC) according to the IEC62368 standard. Please refer to technical specifications for detailed information.
- Make sure the plug is properly connected to the power socket.
- The socket-outlet shall be installed near the equipment and shall be easily accessible.
- DO NOT connect multiple devices to one power adapter, to avoid over-heating or fire hazards caused by overload.
- DO NOT touch the bare metal contacts of the inlets after the circuit breaker is turned off. Electricity still exists.
- + identifies the positive terminal(s) of equipment which is used with, or generates direct current. - identifies the negative terminal(s) of equipment which is used with, or generates direct current.
- Ensure correct wiring of the terminals for connection to an AC mains supply.

Battery

- Risk of explosion if the battery is replaced by an incorrect type. Dispose of used batteries according to the instructions. Il y a risque d'explosion si la batterie est remplacée par une batterie de type incorrect. Mettre au rebut les batteries usagées conformément aux instructions.
- The built-in battery cannot be dismantled. Please contact the manufacture for repair if necessary.
- For long-term storage of the battery, make sure it is fully charged every half year to ensure the battery quality. Otherwise, damage may occur.
- This equipment is not suitable for use in locations where children are likely to be present.
- Improper replacement of the battery with an incorrect type may defeat a safeguard (for example, in the case of some lithium battery types).
- DO NOT dispose of the battery into fire or a hot oven, or mechanically crush or cut the battery, which may result in an explosion.
- DO NOT leave the battery in an extremely high temperature surrounding environment, which may result in an explosion or the leakage of flammable liquid or gas.
- DO NOT subject the battery to extremely low air pressure, which may result in an explosion or the leakage of flammable liquid or gas.

Installation

- Install the equipment according to the instructions in this manual.
- To prevent injury, this equipment must be securely attached to the ceiling/wall in

- accordance with the installation instructions.
- Never place the equipment in an unstable location. The equipment may fall, causing serious personal injury or death.
- This equipment is for use only with corresponding brackets. Use with other (carts, stands, or carriers) may result in instability causing injury.
- The additional force shall be equal to three times the weight of the equipment but not less than 50N. The equipment and its associated mounting means shall remain secure during the installation.
- After the installation, the equipment, including any associated mounting plate, shall not be damaged.

System Security


- You acknowledge that the nature of Internet provides for inherent security risks, and our company shall not take any responsibilities for abnormal operation, privacy leakage or other damages resulting from cyber attack, hacker attack, however, our company will provide timely technical support if required.
- Please enforce the protection for the personal information and the data security as the device may be confronted with the network security problems when it is connected to the Internet. Please contact us when the device might exist network security risks.
- Please understand that you have the responsibility to configure all the passwords and other security settings about the device, and keep your user name and password.

Maintenance

- If the product does not work properly, please contact your dealer or the nearest service center. We shall not assume any responsibility for problems caused by unauthorized repair or maintenance.
- A few device components (e.g., electrolytic capacitor) require regular replacement. The average lifespan varies, so periodic checking is recommended. Contact your dealer for details.
- Wipe the device gently with a clean cloth and a small quantity of ethanol, if necessary.
- If the equipment is used in a manner not specified by the manufacturer, the protection

- provided by the device may be impaired.
- To reduce the risk of fire, replace only with the same type and rating of fuse.
- The serial port of the equipment is used for debugging only.
- Disconnect the power source during servicing.

Using Environment

- Make sure the running environment meets the requirement of the device. The operating temperature shall be - 20 °C to 50 °C (- 4 °F to 122 °F), and the operating humidity shall be 95% or less, no condensing.
- DO NOT expose the device to high electromagnetic radiation or dusty environments.
- DO NOT aim the lens at the sun or any other bright light.
- The equipment shall not be exposed to dripping or splashing and that no objects filled with liquids, such as vases, shall be placed on the equipment.
- No naked flame sources, such as lighted candles, should be placed on the equipment.
- Burned fingers when handling the parts with symbol . Wait one-half hour after switching off before handling the parts.

Emergency

- If smoke, odor, or noise arises from the device, immediately turn off the power, unplug the power cable, and contact the service center.

Manufacture Address

Room 313, Unit B, Building 2, 399 Danfeng Road, Xixing Subdistrict, Binjiang District, Hangzhou, Zhejiang 310052, China
Hangzhou Microimage Software Co., Ltd.

COMPLIANCE NOTICE: The thermal series products might be subject to export controls in various countries or regions, including without limitation, the United States, European Union, United Kingdom and/or other member countries of the Wassenaar Arrangement. Please consult your professional legal or compliance expert or local government authorities for any necessary export license requirements if you intend to transfer, export, re-export the thermal series products between different countries.

Deutsch



Das Erscheinungsbild des Produkts dient nur als Referenz und kann vom tatsächlichen Produkt abweichen.

Anschlüsse und Tasten – Seite A

Nr.	Funktion	Nr.	Funktion
1	Mikrofon	6	Netzwerkkabel
2	Wärmebildobjektiv	7	Stromkabel

Nr.	Funktion	Nr.	Funktion
3	Steckplatz für microSD-Karte	8	RS-485 und Alarmschluss
4	Reset-Taste	9	Lautsprecher
5	Serieller Anschluss		

Hinweis:

Die serielle Schnittstelle des Geräts wird nur zur Fehlersuche verwendet.

**Dieses Gerät kann innerhalb einer Distanz von 4 Metern Stürze erkennen. Als ein Hilfsgerät kann dieses Gerät nicht versichern, dass alle Stürze innerhalb seiner Reichweite erkannt werden. Sturz-Erkennung kann unter besonderen Umständen behindert sein. Zur Versicherung der Erkennungsgenauigkeit ist empfohlen, das Gerät an einer Innenwand in einer Höhe von 2,7 Metern zu befestigen. Bitte stellen Sie sicher, dass sich keine Spiegel, Metallobjekte oder andere Hindernisse direkt vor dem Gerät befinden.*

Benutzerhandbuch

Ausführliche Informationen finden Sie im Benutzerhandbuch des Geräts.




© 2022 Hangzhou Microimage Software Co., Ltd. Alle Rechte vorbehalten.

Hinweise zu dieser Bedienungsanleitung

Die Bedienungsanleitung enthält Anleitungen zur Verwendung und Verwaltung des Produkts. Bilder, Diagramme, Abbildungen und alle sonstigen Informationen dienen nur der Beschreibung und Erklärung. Die Änderung der in der Bedienungsanleitung enthaltenen Informationen ist aufgrund von Firmware-Aktualisierungen oder aus anderen Gründen vorbehalten. Die neueste Version dieses Handbuchs finden Sie auf der HIKMICRO-Website (www.hikmicrotech.com/).

Bitte verwenden Sie diese Bedienungsanleitung unter Anleitung und Unterstützung von Fachleuten, die für den Support des Produkts geschult sind.

Markenzeichen

 und andere Marken und Logos von HIKMICRO sind Eigentum von HIKMICRO in verschiedenen Gerichtsbarkeiten.

Andere hier erwähnte Marken und Logos sind Eigentum ihrer jeweiligen Inhaber.

HAFTUNGSAUSSCHLUSS

DIESE BETRIEBSANLEITUNG UND DAS BESCHRIEBENE PRODUKT MIT SEINER HARDWARE, SOFTWARE UND FIRMWARE WERDEN, SOWEIT GESETZLICH ZULÄSSIG, IN DER „VORLIEGENDEN FORM“ UND MIT „ALLEN FEHLERN UND IRRTÜMERN“ BEREITGESTELLT. HIKMICRO GIBT KEINE GARANTIEN, WEDER AUSDRÜCKLICH NOCH STILLSCHWEIGEND, EINSCHLIEßLICH, ABER NICHT DARAUF BESCHRÄNKT, MARKTGÄNGIGKEIT, ZUFRIEDENSTELLENDEN QUALITÄT ODER EIGNUNG FÜR EINEN BESTIMMTEN ZWECK. DIE NUTZUNG DES PRODUKTS DURCH SIE ERFOLGT AUF IHRE EIGENE GEFAHR. IN KEINEM FALL IST HIKMICRO IHNEN GEGENÜBER HAFTBAR FÜR BESONDERE, ZUFÄLLIGE, DIREKTE ODER INDIREKTE SCHÄDEN, EINSCHLIEßLICH, JEDOCH NICHT DARAUF BESCHRÄNKT, VERLUST VON GESCHÄFTSGEWINNEN,

GESCHÄFTSUNTERBRECHUNG, DATENVERLUST, SYSTEMBESCHÄDIGUNG, VERLUST VON DOKUMENTATIONEN, SEI ES AUFGRUND VON VERTRAGSBRUCH, UNERLAUBTER HANDLUNG (EINSCHLIEßLICH FAHRLÄSSIGKEIT), PRODUKTHAFTUNG ODER ANDERWEITIG, IN VERBINDUNG MIT DER VERWENDUNG DIESES PRODUKTS, SELBST WENN HIKMICRO ÜBER DIE MÖGLICHKEIT DERARTIGER SCHÄDEN ODER VERLUSTE INFORMIERT WAR.

SIE ERKENNEN AN, DASS DIE NATUR DES INTERNETS DAMIT VERBUNDENE SICHERHEITSRISIKEN BEINHALTET. HIKMICRO ÜBERNIMMT KEINE VERANTWORTUNG FÜR ANORMALEN BETRIEB, DATENVERLUST ODER ANDERE SCHÄDEN, DIE SICH AUS CYBERANGRIFFEN, HACKERANGRIFFEN, VIRUSINFEKTION ODER ANDEREN SICHERHEITSRISIKEN IM INTERNET ERGEBEN. HIKMICRO WIRD JEDOCH BEI BEDARF ZEITNAH TECHNISCHEM SUPPORT LEISTEN.

SIE STIMMEN ZU, DIESES PRODUKT IN ÜBEREINSTIMMUNG MIT ALLEN GELTENDEN GESETZEN ZU VERWENDEN, UND SIE SIND ALLEIN DAFÜR VERANTWORTLICH, DASS IHRE VERWENDUNG GEGEN KEINE GELTENDEN GESETZE VERSTÖßT. INSBESONDERE SIND SIE DAFÜR VERANTWORTLICH, DIESES PRODUKT SO ZU VERWENDEN, DASS DIE RECHTE DRITTER NICHT VERLETZT WERDEN, EINSCHLIEßLICH, ABER NICHT BESCHRÄNKT AUF VERÖFFENTLICHUNGSRECHTE, DIE RECHTE AN GEISTIGEM EIGENTUM ODER DEN DATENSCHUTZ UND ANDERE PERSÖNLICHKEITSRECHTE. SIE DÜRFEN DIESES PRODUKT NICHT FÜR VERBOTENE ENDANWENDUNGEN VERWENDEN, EINSCHLIEßLICH DER ENTWICKLUNG ODER HERSTELLUNG VON MASSENVERNICHTUNGSWAFFEN, DER ENTWICKLUNG ODER HERSTELLUNG CHEMISCHER ODER BIOLOGISCHER WAFFEN, JEDLICHER AKTIVITÄTEN IM ZUSAMMENHANG MIT EINEM NUKLEAREN SPRENGKÖRPER ODER UNSICHEREN NUKLEAREN BRENNSTOFFKREISLAUF BZW. ZUR UNTERSTÜTZUNG VON MENSCHENRECHTSVERLETZUNGEN. IM FALL VON WIDERSPRÜCHEN ZWISCHEN DIESER BEDIENUNGSANLEITUNG UND GELTENDEM RECHT IST LETZTERES MASSGEBLICH.

Behördliche Informationen

Diese Klauseln gelten nur für Produkte, welche die entsprechenden Kennzeichen oder Informationen enthalten.

EU-Konformitätserklärung



Dieses Produkt und – gegebenenfalls – das mitgelieferte Zubehör tragen das „CE“-

Kennzeichen und entsprechen daher den anwendbaren harmonisierten europäischen Normen, die in der Richtlinie 2014/30/EU (EMV), der Richtlinie 2014/35/EU (NSR) und der Richtlinie 2011/65/EU (RoHS) aufgeführt sind.



Richtlinie 2012/19/EU (WEEE-Richtlinie): Produkte, die mit diesem Symbol gekennzeichnet sind, dürfen innerhalb der Europäischen Union nicht mit dem Hausmüll entsorgt werden. Für korrektes Recycling geben Sie dieses Produkt an Ihren örtlichen Fachhändler zurück oder entsorgen Sie es an einer der Sammelstellen. Für weitere Informationen siehe: www.recyclethis.info



Richtlinie 2006/66/EC und ihre Änderung 2013/56/EU (Batterierichtlinie): Dieses Produkt enthält eine Batterie, die innerhalb der Europäischen Union nicht mit dem Hausmüll entsorgt werden darf. Siehe Produktdokumentation für spezifische Hinweise zu Batterien. Die Batterie ist mit diesem Symbol gekennzeichnet, das zusätzlich die Buchstaben Cd für Cadmium, Pb für Blei oder Hg für Quecksilber enthalten kann. Für korrektes Recycling geben Sie die Batterie an Ihren örtlichen Fachhändler zurück oder entsorgen Sie sie an einer der Sammelstellen. Für weitere Informationen siehe: www.recyclethis.info

Verwenden Sie das von einem zugelassenen Hersteller mitgelieferte Netzteil. Detaillierte Angaben zu den Batterie-/Akku-Anforderungen finden Sie in der Produktspezifikation.

Verwenden Sie nur einen von einem qualifizierten Hersteller gelieferten Akku. Detaillierte Angaben zu den Batterie-/Akku-Anforderungen finden Sie in der Produktspezifikation.

Sicherheitshinweise

Diese Anleitungen sollen gewährleisten, dass Sie das Produkt korrekt verwenden, um Gefahren oder Sachschäden zu vermeiden.

Gesetze und Vorschriften

Das Gerät muss in Übereinstimmung mit lokalen Gesetzen, Vorschriften zur elektrischen Sicherheit und Brandschutzvorschriften verwendet werden.

Transportwesen

- Bewahren Sie das Gerät beim Transport in der ursprünglichen oder einer vergleichbaren Verpackung auf.
- Bewahren Sie das gesamte Verpackungsmaterial nach dem Auspacken für zukünftigen Gebrauch auf. Im Falle eines Fehlers müssen Sie das Gerät in der Originalverpackung an das Werk zurücksenden.
- Beim Transport ohne Originalverpackung

kann das Gerät beschädigt werden und wir übernehmen keine Verantwortung.

- Lassen Sie das Produkt nicht fallen und vermeiden Sie heftige Stöße. Halten Sie das Gerät von magnetischen Störungen fern.

Spannungsversorgung

- Erwerben Sie das Ladegerät selbst. Die Eingangsspannung muss einer Stromquelle mit begrenzter Leistung (12 VDC) gemäß der Norm IEC62368 entsprechen. Siehe technische Daten für detaillierte Informationen.
- Stellen Sie sicher, dass der Stecker richtig in der Steckdose steckt.
- Die Steckdose sollte sich in der Nähe des Geräts befinden und muss einfach zugänglich sein.
- Verbinden Sie nicht mehrere Geräte mit einem Netzteil, da es andernfalls durch Überlastung zu einer Überhitzung oder einem Brand kommen kann.
- Berühren Sie nicht die blanken Metallkontakte der Eingänge, nachdem der Schutzschalter ausgeschaltet wurde. Sie stehen noch unter Strom.
- + kennzeichnet den/die Pluspol(e) von Geräten, die mit Gleichstrom betrieben werden oder Gleichstrom erzeugen. – kennzeichnet den/die Minuspol(e) von Geräten, die mit Gleichstrom betrieben werden oder Gleichstrom erzeugen.
- Achten Sie auf die korrekte Verkabelung der Klemmen für den Anschluss an ein Wechselstromnetz.

Batterie

- Bei Austausch der Batterie durch einen falschen Typ besteht Explosionsgefahr. Entsorgen Sie verbrauchte Batterien entsprechend der Anleitung.
- Der integrierte Akku darf nicht demontiert werden. Wenden Sie sich gegebenenfalls zur Reparatur an den Hersteller.
- Achten Sie bei langfristiger Lagerung des Akkus darauf, dass er alle sechs Monate vollständig geladen wird, um seine Lebensdauer zu gewährleisten. Anderenfalls kann es zu Schäden kommen.
- Das Gerät ist nicht für den Einsatz an Orten geeignet, an denen sich wahrscheinlich Kinder aufhalten.
- Unsachgemäßer Austausch des Akkus durch einen falschen Typ kann eine Schutzvorrichtung umgehen (z. B. bei einigen Lithium-Batterietypen).
- Batterien nicht durch Verbrennen, in einem heißen Ofen oder Zerkleinern oder Zerschneiden entsorgen. Das kann zu einer Explosion führen.
- Bewahren Sie Batterien nicht in einer Umgebung mit extrem hoher Temperatur auf. Das kann zu einer Explosion oder zum Auslaufen von entflammbarer Flüssigkeit oder Gas führen.

- Setzen Sie Batterien keinem extrem niedrigen Luftdruck aus. Das kann zu einer Explosion oder zum Auslaufen von entflammbarer Flüssigkeit oder Gas führen.

Installation

- Installieren Sie das Gerät gemäß den Anweisungen in diesem Handbuch.
- Um Verletzungen zu vermeiden, muss dieses Gerät gemäß den Installationsanweisungen sicher an der Decke/Wand montiert werden.
- Stellen Sie das Gerät niemals an einem instabilen Ort auf. Es könnte umfallen und schwere oder sogar tödliche Verletzungen verursachen.
- Dieses Gerät darf nur mit den entsprechenden Halterungen verwendet werden. Die Verwendung anderer Halterungen (Wagen, Ständer oder Träger) kann zu Instabilität führen und Verletzungen verursachen.
- Die zusätzliche Belastung muss dem dreifachen Gewicht des Geräts entsprechen, jedoch mindestens 50 N. Das Gerät und die zugehörigen Befestigungsmittel müssen während der Installation stets gesichert sein.
- Nach der Installation darf das Gerät, einschließlich der zugehörigen Montageplatte, nicht beschädigt werden.

Systemsicherheit

- Sie erkennen an, dass die Natur des Internets damit verbundene Sicherheitsrisiken mit sich bringt und unser Unternehmen übernimmt keine Verantwortung für anormale Betriebsabläufe, Datenschutzverletzungen oder andere Schäden, die sich durch Cyber- oder Hackerangriffe ergeben. Bei Bedarf wird unser Unternehmen jedoch zeitnahe technische Unterstützung leisten.
- Bitte sorgen Sie für den Schutz der persönlichen Daten und die Datensicherheit, da das Gerät Netzwerksicherheitsproblemen ausgesetzt werden kann, wenn es mit dem Internet verbunden ist. Bitte setzen Sie sich mit uns in Verbindung, wenn das Gerät Netzwerksicherheitsrisiken aufweist.
- Bitte nehmen Sie zur Kenntnis, dass Sie die Verantwortung dafür tragen, alle Passwörter und andere Sicherheitseinstellungen für das Gerät zu konfigurieren und Ihren Benutzernamen und Ihr Passwort aufzubewahren.


Wartung

- Falls das Produkt nicht einwandfrei funktionieren sollte, wenden Sie sich an Ihren Händler oder den nächstgelegenen Kundendienst. Wir übernehmen keine Haftung für Probleme, die durch nicht autorisierte Reparaturen oder Instandhaltungsarbeiten verursacht werden.
- Einige Gerätekomponenten (z. B. Elektrolytkondensator) müssen regelmäßig ausgetauscht werden. Die durchschnittliche Lebensdauer variiert, weshalb eine

- regelmäßige Prüfung empfohlen wird. Einzelheiten erfahren Sie von Ihrem Händler.
- Wischen Sie das Gerät bei Bedarf sanft mit einem sauberen Tuch und einer geringen Menge Ethanol ab.
 - Wenn das Gerät nicht vom Hersteller vorgegebenem Sinne genutzt wird, kann der durch das Gerät bereitgestellte Schutz beeinträchtigt werden.
 - Um die Feuergefahr zu verringern, ersetzen Sie Sicherungen nur durch Sicherungen des gleichen Typs und der gleichen Leistung.
 - Die serielle Schnittstelle des Geräts wird nur zur Fehlersuche verwendet.
 - Unterbrechen Sie die Stromversorgung während der Wartung.

Einsatzumgebung

- Achten Sie darauf, dass die Betriebsumgebung den Anforderungen des Geräts entspricht. Die Betriebstemperatur des Geräts muss zwischen -20 °C bis 50 °C (-4 °F bis 122 °F) liegen und die Betriebsluftfeuchtigkeit darf höchstens 95 % betragen (keine Kondensation).
- Setzen Sie das Gerät keiner hohen elektromagnetischen Strahlung oder staubigen Umgebungen aus.
- Richten Sie das Objektiv nicht auf die Sonne oder eine andere helle Lichtquelle.
- Das Gerät vor tropfenden oder spritzenden Flüssigkeiten schützen. Auf dem Gerät dürfen keine mit Flüssigkeit gefüllten Objekte, wie z. B. Vasen, abgestellt werden.
- Stellen Sie keine offenen Flammen (wie

- brennende Kerzen) auf dem Gerät ab.
- Dieses Symbol  weist darauf hin, dass Sie sich beim Umgang mit den Teilen die Finger verbrennen können. Warten Sie nach dem Ausschalten eine halbe Stunde, bevor Sie die Teile anfassen.

Notruf

- Sollten sich Rauch, Gerüche oder Geräusche in dem Gerät entwickeln, so schalten Sie es unverzüglich aus und ziehen Sie den Netzstecker; wenden Sie sich dann an den Kundendienst.

Anschrift des Herstellers

Raum 313, Einheit B, Gebäude 2, 399 Danfeng-Straße, Gemarkung Xixing, Stadtbezirk Binjiang, Hangzhou, Zhejiang 310052, China
Hangzhou Microimage Software Co., Ltd.

RECHTLICHER HINWEIS: Die Produkte der Wärmebild-Serie unterliegen unter Umständen in verschiedenen Ländern oder Regionen Exportkontrollen, wie zum Beispiel in den Vereinigten Staaten, der Europäischen Union, dem Vereinigten Königreich und/oder anderen Mitgliedsländern des Wassenaar-Abkommens. Bitte wenden Sie sich an Ihren professionellen Rechts- oder Compliance-Experten oder an die zuständigen Behörden, wenn Sie beabsichtigen, Produkte der Wärmebild-Serie zwischen verschiedenen Ländern zu transferieren, zu exportieren oder zu reexportieren, um Informationen über eine eventuell erforderliche Ausfuhrgenehmigung zu erhalten.

Français



L'image du produit est donnée uniquement à titre de référence et le produit réel peut présenter un aspect différent.

Interface et bouton - Page A

N°	Fonction	N°	Fonction
1	Microphone	6	Câble réseau
2	Objectif thermique	7	Câble d'alimentation
3	Logement de carte microSD	8	RS-485 et interface d'alarme
4	Bouton de réinitialisation	9	Haut-parleur
5	Port série		

Note:

Le port série de l'équipement est utilisé uniquement à des fins de débogage.

**Cet appareil est capable de détecter les chutes jusqu'à une distance de*

détection de 4 m. Étant donné qu'il s'agit d'un appareil d'assistance, cet appareil ne peut pas garantir que toutes les chutes pourront être détectées dans sa portée. La détection des chutes peut être affectée dans certaines circonstances particulières. Pour obtenir une détection précise, il est conseillé de monter cet appareil sur un mur intérieur avec une hauteur de montage de 2,7 m. Veuillez vous assurer qu'aucun miroir, produit métallique ou autre obstacle ne se trouve directement devant cet appareil.

Mode d'emploi

Pour des informations détaillées, reportez-vous au manuel d'utilisation de l'appareil.




© 2022 Hangzhou Microimage Software Co., Ltd. Tous droits réservés.

À propos de ce manuel

Ce manuel fournit des instructions d'utilisation et de gestion du produit. Les images, les tableaux, les figures et toutes les autres informations ci-après ne sont donnés qu'à titre de description et d'explication. Les informations contenues dans ce manuel sont modifiables sans préavis, en raison d'une mise à jour d'un micrologiciel ou pour d'autres raisons. Veuillez trouver la dernière version de ce manuel sur le site Internet de HIKMICRO (www.hikmicrotech.com).

Veuillez utiliser ce mode d'emploi avec les conseils et l'assistance de professionnels spécialement formés dans la prise en charge de ce produit.

Marques déposées

 et les autres marques commerciales et logos de HIKMICRO sont la propriété de HIKMICRO dans diverses juridictions.

Toutes les autres marques et tous les logos mentionnés appartiennent à leurs propriétaires respectifs.

CLAUSE D'EXCLUSION DE RESPONSABILITÉ

DANS LES LIMITES AUTORISÉES PAR LA LOI EN VIGUEUR, LE PRÉSENT MANUEL ET LE PRODUIT DÉCRIT, AINSI QUE SON MATÉRIEL, SES LOGICIELS ET SES MICROLOGICIELS, SONT FOURNIS « EN L'ÉTAT » ET « AVEC TOUS LES DÉFAUTS ET ERREURS ». HIKMICRO NE FAIT AUCUNE GARANTIE, EXPLICITE OU IMPLICITE, Y COMPRIS, MAIS SANS S'Y LIMITER, DE QUALITÉ

MARCHANDE, DE QUALITÉ SATISFAISANTE, OU D'ADÉQUATION À UN USAGE PARTICULIER.

VOUS UTILISEZ LE PRODUIT À VOS PROPRES RISQUES. EN AUCUN CAS, HIKMICRO NE SERA TENU RESPONSABLE DE TOUT DOMMAGE SPÉCIAL, CONSÉCUTIF, ACCESSOIRE OU INDIRECT, Y COMPRIS, ENTRE AUTRES, LES DOMMAGES RELATIFS À LA PERTE DE PROFITS D'ENTREPRISE, À L'INTERRUPTION D'ACTIVITÉS COMMERCIALES, OU LA PERTE DES DONNÉES, LA CORRUPTION DES SYSTÈMES, OU LA PERTE DES DOCUMENTS, S'ILS SONT BASÉS SUR UNE VIOLATION DE CONTRAT, UNE FAUTE (Y COMPRIS LA NÉGLIGENCE), LA RESPONSABILITÉ EN MATIÈRE DE PRODUITS, OU AUTRE, EN RAPPORT AVEC L'UTILISATION DU PRODUIT, MÊME SI HIKMICRO A ÉTÉ INFORMÉ DE LA POSSIBILITÉ D'UN TEL DOMMAGE OU D'UNE TELLE PERTE.

VOUS RECONNAISSEZ QUE LA NATURE D'INTERNET EST SOURCE DE RISQUES DE SÉCURITÉ INHÉRENTS, ET HIKMICRO SE DÉGAGE DE TOUTE RESPONSABILITÉ EN CAS DE FONCTIONNEMENT ANORMAL, DIVULGATION D'INFORMATIONS CONFIDENTIELLES OU AUTRES DOMMAGES DÉCOULANT D'UNE CYBERATTAQUE, D'UN PIRATAGE INFORMATIQUE, D'UNE INFECTION PAR DES VIRUS, OU AUTRES RISQUES DE SÉCURITÉ LIÉS À INTERNET ; TOUTEFOIS, HIKMICRO FOURNIRA UNE ASSISTANCE TECHNIQUE DANS LES DÉLAIS SI NÉCESSAIRE.

VOUS ACCEPTEZ D'UTILISER CE PRODUIT CONFORMÉMENT À L'ENSEMBLE DES LOIS EN VIGUEUR. IL EST DE VOTRE RESPONSABILITÉ

EXCLUSIVE DE VEILLER À CE QUE VOTRE UTILISATION SOIT CONFORME À LA LOI APPLICABLE. IL VOUS APPARTIENT SURTOUT D'UTILISER CE PRODUIT D'UNE MANIÈRE QUI NE PORTE PAS ATTEINTE AUX DROITS DE TIERS, Y COMPRIS, MAIS SANS S'Y LIMITER, LES DROITS DE PUBLICITÉ, LES DROITS DE PROPRIÉTÉ INTELLECTUELLE, OU LA PROTECTION DES DONNÉES ET D'AUTRES DROITS À LA VIE PRIVÉE. VOUS NE DEVEZ PAS UTILISER CE PRODUIT POUR TOUTE UTILISATION FINALE INTERDITE, NOTAMMENT LA MISE AU POINT OU LA PRODUCTION D'ARMES DE DESTRUCTION MASSIVE, LA MISE AU POINT OU LA FABRICATION D'ARMES CHIMIQUES OU BIOLOGIQUES, LES ACTIVITÉS DANS LE CONTEXTE LIÉ AUX EXPLOSIFS NUCLÉAIRES OU AU CYCLE DU COMBUSTIBLE NUCLÉAIRE DANGEREUX, OU SOUTENANT LES VIOLATIONS DES DROITS DE L'HOMME.

EN CAS DE CONFLIT ENTRE CE MANUEL ET LES LOIS EN VIGUEUR, CES DERNIÈRES PRÉVALENT.

Réglementation

Ces dispositions ne s'appliquent qu'aux produits portant la marque ou l'information correspondante.

Déclaration de conformité UE



Ce produit et, le cas échéant, les accessoires qui l'accompagnent, sont estampillés « CE » et sont donc conformes aux normes européennes harmonisées en vigueur répertoriées sous la Directive 2014/30/UE (EMCD), la Directive 2014/35/UE (LVD) et la Directive 2011/65/UE (RoHS).



Directive 2012/19/UE (directive DEEE) : Dans l'Union européenne, les produits portant ce pictogramme ne doivent pas être déposés dans une décharge municipale où le tri des déchets n'est pas pratiqué. Pour un recyclage adéquat, remettez ce produit à votre revendeur lors de l'achat d'un nouvel équipement équivalent, ou déposez-le dans un lieu de collecte prévu à cet effet. Pour plus de précisions, rendez-vous sur :

www.recyclethis.info



Directive 2006/66/CE et son amendement 2013/56/UE (directive sur les batteries) : Ce produit renferme une batterie qui ne doit pas être déposée dans une décharge municipale où le tri des déchets n'est pas pratiqué, dans l'Union européenne. Pour plus de précisions sur la batterie, reportez-vous à sa documentation. La batterie porte le pictogramme ci-contre, qui peut inclure la mention de cadmium (Cd), de plomb (Pb) ou de mercure (Hg). Pour la recycler correctement, renvoyez la batterie à

votre revendeur ou déposez-la dans un point de collecte prévu à cet effet. Pour plus de précisions, rendez-vous sur :

www.recyclethis.info

Utilisez l'adaptateur d'alimentation fourni par un fabricant qualifié. Reportez-vous aux spécifications du produit pour les dispositions nécessaires et détaillées en matière d'alimentation.

Utilisez une pile fournie par un fabricant qualifié. Reportez-vous aux spécifications du produit pour les détails concernant la pile.

Précautions d'emploi

L'objectif de ces instructions est de garantir que l'utilisateur soit en mesure d'utiliser correctement le produit sans danger ou dommage aux biens.

Lois et réglementations

L'appareil doit être utilisé conformément à la législation locale ainsi qu'aux réglementations en matière de sécurité électrique et de prévention des incendies.

Transport

- Gardez l'appareil dans son emballage d'origine ou dans un emballage similaire lors de son transport.
- Veuillez conserver l'emballage de l'appareil pour toute utilisation ultérieure. En cas de panne, vous devrez renvoyer l'appareil à l'usine dans son emballage d'origine.
- Le transport de l'appareil sans son emballage d'origine peut l'endommager, et l'entreprise se dégage de toute responsabilité dans ce cas.
- Ne pas faire tomber le produit ou le soumettre à un choc physique. Gardez l'appareil à l'écart des interférences magnétiques.

Alimentation électrique

- Veuillez acheter vous-même le chargeur. La tension d'entrée doit être conforme à celle d'une source d'alimentation limitée (12 VCC) selon la norme CEI62368. Veuillez vous référer aux caractéristiques techniques pour des informations détaillées.
- Vérifiez que la prise est correctement branchée à la prise électrique.
- La prise de courant doit être installée près de l'équipement et doit être facilement accessible.
- Pour éviter tout risque de surchauffe ou d'incendie dû à une surcharge, ne reliez PAS plusieurs appareils à un seul adaptateur d'alimentation.
- Ne touchez PAS les contacts métalliques nus des entrées après que le disjoncteur a été coupé. De l'électricité peut encore circuler.
- Le symbole « + » identifie la (les) borne(s) positive(s) de l'équipement qui est utilisé avec, ou qui génère du courant continu. Le symbole « - » identifie la (les) borne(s) négative(s) de l'équipement qui est utilisé avec, ou qui génère du courant continu.

- Assurez-vous d'effectuer un câblage approprié des bornes pour un branchement à une alimentation secteur.

Batterie

- Il y a risque d'explosion si la batterie est remplacée par une batterie de type incorrect. Mettre au rebut les batteries usagées conformément aux instructions.
- La batterie intégrée ne peut pas être démontée. Veuillez contacter le fabricant pour réparation si nécessaire.
- En cas de stockage à long terme de la batterie, assurez-vous qu'elle est complètement chargée tous les six mois afin d'en conserver la qualité. Dans le cas contraire, elle pourrait se détériorer.
- Cet équipement n'est pas adapté à un usage dans les endroits où des enfants sont susceptibles d'être présents.
- Le remplacement de la pile par une pile du mauvais type peut conduire à l'annulation d'une protection (par exemple, dans le cas de certains types de batteries au lithium).
- Ne jetez PAS une batterie au feu ou dans un four chaud, ni ne broyez mécaniquement ou découpez une batterie, car cela pourrait engendrer une explosion.
- Ne laissez PAS une batterie dans un environnement ambiant extrêmement chaud, car vous encourez un risque d'explosion ou une fuite de liquide ou de gaz inflammable.
- N'exposez PAS une batterie à des pressions atmosphériques extrêmement basses, car vous encourez un risque d'explosion ou une fuite de liquide ou de gaz inflammable.

Installation

- Installez l'équipement conformément aux instructions de ce manuel.
- Afin d'éviter tout accident, cet appareil doit être correctement attaché au plafond/mur conformément aux instructions d'installation.
- N'installez jamais l'équipement sur un support instable. L'équipement pourrait tomber, entraînant des blessures graves voire la mort.
- Cet équipement doit être utilisé uniquement avec les supports correspondants. Toute utilisation avec d'autres supports (chariots, stations ou transporteurs) peut entraîner une instabilité pouvant causer des blessures.
- La force supplémentaire doit être égale à trois fois le poids de l'équipement et au minimum à 50 N. L'équipement et ses supports de montage doivent être maintenus fermement en place pendant l'installation.
- Après l'installation, l'équipement, y compris le plateau de montage associé le cas échéant, ne doit pas être endommagé.

Sécurité du système

- Vous reconnaissez que la nature d'Internet est source de risques de sécurité inhérents, et notre société se dégage de toute responsabilité en cas de fonctionnement

anormal, divulgation d'informations confidentielles ou autres dommages découlant d'une cyberattaque ou d'un piratage informatique ; toutefois, notre société fournira une assistance technique dans les délais, le cas échéant.


- Veuillez renforcer la protection des informations personnelles et la sécurité des données, car l'appareil peut être exposé à des problèmes de sécurité réseau lorsqu'il est connecté à Internet. Veuillez nous contacter si l'appareil peut subir des risques en matière de sécurité réseau.
- Vous êtes responsable de la configuration de tous les mots de passe et d'autres paramètres de sécurité concernant l'appareil. Gardez votre nom d'utilisateur et votre mot de passe en sécurité.

Maintenance

- Si le produit ne fonctionne pas correctement, contactez votre revendeur ou le centre de service le plus proche. Nous n'assumerons aucune responsabilité concernant les problèmes causés par une réparation ou une opération de maintenance non autorisée.
- Certains composants de l'appareil (p. ex., condensateur électrolytique) doivent être remplacés régulièrement. Leur durée de vie moyenne est variable, c'est pourquoi des contrôles périodiques sont recommandés. Veuillez contacter votre distributeur pour plus d'informations.
- Essuyez délicatement l'appareil à l'aide d'un chiffon propre imbibé d'une petite quantité d'éthanol, si nécessaire.
- Si l'appareil n'est pas utilisé conformément aux indications du fabricant, le dispositif de protection fourni par l'appareil peut être compromis.
- Pour réduire le risque d'incendie, remplacez-le uniquement par un fusible de même type et de même calibre.
- Le port série de l'équipement est utilisé uniquement à des fins de débogage.
- Débranchez la source d'alimentation pendant l'opération d'entretien.

Environnement d'exploitation

- Assurez-vous que l'environnement d'exploitation répond aux exigences de l'appareil. La température de fonctionnement doit être comprise entre -20 °C et 50 °C (-4 °F et 122 °F) et l'humidité de fonctionnement doit être inférieure ou égale à 95 %, sans condensation.
- N'exposez PAS l'appareil à de puissants rayonnements électromagnétiques ou à des environnements poussiéreux.
- N'orientez PAS l'objectif vers le soleil ou toute autre source de lumière vive.
- L'équipement ne doit pas être exposé aux gouttes ou aux éclaboussures et aucun objet rempli de liquide, comme un vase, ne doit être placé sur l'équipement.

- Aucune source de flamme nue, telle que des bougies allumées, ne doit être placée sur l'équipement.
- La manipulation des pièces portant le symbole  risque de brûler les doigts. Attendez une demi-heure après l'arrêt de l'appareil avant de manipuler les pièces.

Urgence

- Si de la fumée, des odeurs ou du bruit s'échappent de l'appareil, mettez immédiatement l'appareil hors tension et débranchez le câble d'alimentation, puis contactez un centre de réparation.

Adresse de fabrication

Logement 313, Unité B, Bâtiment 2, 399 Danfeng Road, Sous-district de Xixing, District de Binjiang, Hangzhou, Zhejiang 310052, Chine

Hangzhou Microimage Software Co., Ltd.

AVIS DE CONFORMITÉ : Il est possible que les produits de la série thermique soient soumis à des contrôles d'exportation dans divers pays ou diverses régions, ce qui inclut, sans s'y limiter, les États-Unis, l'Union européenne, le Royaume-Uni ou d'autres pays membres de l'Arrangement de Wassenaar. Veuillez consulter votre expert professionnel en questions juridiques ou en conformité ou les autorités de votre gouvernement local pour toute exigence de permis d'exportation si vous prévoyez de transférer, d'exporter ou de réexporter des produits de la série thermique entre différents pays.

Español



La apariencia del producto es solo una referencia y puede diferir de la apariencia real del producto.

Interfaces y botones – página A

N.º	Función	N.º	Función
1	Micrófono	6	Cable de red
2	Lente térmica	7	Cable de alimentación
3	Ranura para tarjeta microSD	8	Interfaces de alarma y RS-485
4	Botón de reinicio	9	Altavoz
5	Puerto serie		

Nota:

El puerto serie del equipo se utiliza únicamente con fines de depuración.

**Este dispositivo puede detectar caídas a una distancia de 4 m. Como dispositivo de asistencia, no puede garantizar que todas las caídas a esta distancia se puedan detectar. La detección de caídas se puede ver afectada por ciertas circunstancias especiales. Para garantizar la precisión de la detección, se recomienda montar este dispositivo en un muro interior, a una altura de 2,7 m. Asegúrese de que no haya espejos, elementos metálicos ni otras obstrucciones directamente delante del dispositivo.*

Manual del usuario

Consulte el manual del usuario del dispositivo para obtener información detallada.




© 2022 Hangzhou Microimage Software Co., Ltd. Reservados todos los derechos.

Sobre este manual

Este manual incluye las instrucciones de utilización y gestión del producto. Las figuras, gráficos, imágenes y cualquier otra información que encontrará en lo sucesivo tienen únicamente fines descriptivos y aclaratorios. La información incluida en el manual está sujeta a cambios, sin aviso previo, debido a las actualizaciones de software u otros motivos. Visite el sitio web de HIKMICRO (www.hikmicrotech.com/) para encontrar la última versión de este manual.

Utilice este manual con la guía y asistencia de profesionales capacitados en el soporte del producto.

Marcas registradas

 y otras marcas comerciales y logotipos de HIKMICRO son propiedad de HIKMICRO en diferentes jurisdicciones. Las demás marcas comerciales y logotipos mencionados son propiedad de sus respectivos dueños.

DESCARGO DE RESPONSABILIDAD

EN LA MEDIDA MÁXIMA PERMITIDA POR LAS LEYES APLICABLES, ESTE MANUAL Y EL PRODUCTO DESCRITO —INCLUIDOS SU HARDWARE, SOFTWARE Y FIRMWARE— SE SUMINISTRAN «TAL CUAL» Y «CON TODOS SU FALLOS Y ERRORES». HIKMICRO NO OFRECE GARANTÍAS, EXPLÍCITAS O IMPLÍCITAS, INCLUIDAS, A MODO MERAMENTE ENUNCIATIVO MAS NO LIMITATIVO, AQUELLAS DE COMERCIABILIDAD, CALIDAD SATISFACTORIA O IDONEIDAD PARA UN PROPÓSITO EN PARTICULAR. EL USO QUE HAGA DEL PRODUCTO CORRE BAJO SU ÚNICO RIESGO. EN NINGÚN CASO, HIKMICRO PODRÁ CONSIDERARSE RESPONSABLE ANTE USTED DE NINGÚN DAÑO ESPECIAL, CONSECUENTE, INCIDENTAL O INDIRECTO, INCLUYENDO, ENTRE OTROS, DAÑOS POR PÉRDIDAS DE BENEFICIOS COMERCIALES, INTERRUPCIÓN DE LA ACTIVIDAD COMERCIAL, PÉRDIDA DE DATOS, CORRUPCIÓN DE LOS SISTEMAS O PÉRDIDA DE DOCUMENTACIÓN, YA SEA POR INCUMPLIMIENTO DEL CONTRATO, AGRAVIO (INCLUYENDO NEGLIGENCIA), RESPONSABILIDAD DEL PRODUCTO O EN RELACIÓN CON EL USO DEL PRODUCTO,

INCLUSO CUANDO HIKMICRO HAYA RECIBIDO UNA NOTIFICACIÓN DE LA POSIBILIDAD DE DICHOS DAÑOS O PÉRDIDAS.

USTED RECONOCE QUE LA NATURALEZA DE INTERNET IMPLICA RIESGOS DE SEGURIDAD INHERENTES Y QUE HIKMICRO NO TENDRÁ NINGUNA RESPONSABILIDAD POR NINGÚN FUNCIONAMIENTO ANORMAL, FILTRACIONES DE PRIVACIDAD U OTROS DAÑOS RESULTANTES DE ATAQUES CIBERNÉTICOS, ATAQUES DE PIRATAS INFORMÁTICOS, INFECCIONES DE VIRUS U OTROS RIESGOS DE SEGURIDAD PROPIOS DE INTERNET; NO OBSTANTE, HIKMICRO PROPORCIONARÁ EL APOYO TÉCNICO OPORTUNO DE SER NECESARIO. USTED ACEPTA USAR ESTE PRODUCTO DE CONFORMIDAD CON TODAS LAS LEYES APLICABLES Y SOLO USTED ES EL ÚNICO RESPONSABLE DE ASEGURAR QUE EL USO CUMPLA CON DICHAS LEYES. EN ESPECIAL, USTED ES RESPONSABLE DE USAR ESTE PRODUCTO DE FORMA QUE NO INFRINJA LOS DERECHOS DE TERCEROS, INCLUYENDO, DE MANERA ENUNCIATIVA MAS NO LIMITATIVA, DERECHOS DE PUBLICIDAD, DERECHOS DE PROPIEDAD INTELECTUAL, DERECHOS RELATIVOS A LA PROTECCIÓN DE DATOS Y OTROS DERECHOS RELATIVOS A LA PRIVACIDAD. NO UTILIZARÁ ESTE PRODUCTO PARA NINGÚN USO FINAL PROHIBIDO, INCLUYENDO EL DESARROLLO O LA PRODUCCIÓN DE ARMAS DE DESTRUCCIÓN MASIVA, EL DESARROLLO O PRODUCCIÓN DE ARMAS QUÍMICAS O BIOLÓGICAS, NINGUNA ACTIVIDAD EN EL CONTEXTO RELACIONADO CON ALGÚN EXPLOSIVO NUCLEAR O EL CICLO DE COMBUSTIBLE NUCLEAR INSEGURO O EN APOYO DE ABUSOS DE LOS DERECHOS HUMANOS.

EN CASO DE HABER CONFLICTO ENTRE ESTE MANUAL Y LA LEGISLACIÓN VIGENTE, ESTA ÚLTIMA PREVALECE.

Información normativa

Estas cláusulas solo son aplicables al producto que lleva las marcas o la información correspondiente.

Declaración de conformidad de la UE



Este producto, así como los accesorios suministrados (si procede), tienen el marcado «CE» y, por lo tanto, cumplen con las normativas europeas armonizadas aplicables que se enumeran en la Directiva 2014/30/UE (EMCD), la Directiva 2014/35/UE (LVD) y la Directiva 2011/65/UE (RoHS).



Directiva 2012/19/UE (directiva RAEE): En la Unión Europea, los productos marcados con este símbolo no pueden ser desechados en el sistema de basura municipal sin recogida selectiva. Para un reciclaje adecuado, entregue este producto en el lugar de compra del equipo nuevo equivalente o deshágase de él en el punto de recogida designado a tal efecto. Para más información vea la página web: www.recyclethis.info



Directiva 2006/66/CE y su enmienda 2013/56/UE (directiva sobre baterías): Este producto lleva una batería que no puede ser desechada en el sistema municipal de basuras sin recogida selectiva dentro de la Unión Europea. Consulte la documentación del producto para ver la información específica de la batería. La batería lleva marcado este símbolo, que incluye unas letras indicando si contiene cadmio (Cd), plomo (Pb), o mercurio (Hg). Para un reciclaje adecuado, entregue la batería a su vendedor o llévela al punto de recogida de basuras designado a tal efecto. Para más información vea la página web: www.recyclethis.info Utilice el adaptador eléctrico de un fabricante autorizado. Consulte las especificaciones técnicas del producto para conocer los requisitos eléctricos detallados. Use una batería provista por un fabricante cualificado. Consulte las especificaciones técnicas del producto para conocer los requisitos detallados de la batería.

Instrucciones de seguridad

Estas instrucciones están destinadas a garantizar que el usuario pueda utilizar el producto correctamente para evitar peligros o pérdidas materiales.

Leyes y normativas

El dispositivo debe ser utilizado cumpliendo con la legislación local y las normativas de seguridad eléctrica y prevención de incendios.

Transporte

- Guarde el dispositivo en su paquete original o en uno similar cuando lo transporte.
- Guarde el embalaje para uso futuro. En el caso de que ocurra algún fallo, deberá devolver el dispositivo a la fábrica con el envoltorio original.
- En caso de transporte sin el envoltorio original podría resultar en daños en el dispositivo y la empresa no se hará

responsable.

- No deje caer el producto ni lo someta a impactos físicos. Mantenga el dispositivo alejado de interferencias magnéticas.

Fuente de alimentación

- Debe adquirir el cargador por su cuenta. El voltaje de entrada debe cumplir con los requisitos de fuente de alimentación de potencia limitada (12 VCC) de conformidad con la norma IEC62368. Consulte las especificaciones técnicas para obtener información detallada.
- Asegúrese de que el enchufe esté correctamente conectado a la toma de corriente.
- La toma de corriente tiene que estar cerca del equipo y ser de fácil acceso.
- NO conecte múltiples dispositivos a un mismo adaptador de corriente, para evitar el sobrecalentamiento y los riesgos de incendio por sobrecarga.
- NO toque los contactos metálicos desnudos de las entradas después de que se apague el disyuntor. Todavía tienen electricidad.
- + identifica los terminales positivos de los equipos que se utilizan con corriente continua o que la generan. - identifica los terminales negativos de los equipos que se utilizan con corriente continua o que la generan.
- Asegúrese de que el cableado de los terminales para la conexión a una fuente de alimentación de CA sea correcto.

Batería

- Riesgo de explosión si se reemplaza la batería por otra de tipo incorrecto. Deshágase de las baterías usadas conforme a las instrucciones.
- La batería integrada no puede ser desmontada. Póngase en contacto con el fabricante para solicitar las reparaciones necesarias.
- Para almacenar la batería durante un periodo prolongado, compruebe que esté completamente cargada cada medio año para garantizar la calidad de la misma. De lo contrario, podrían ocurrir daños.
- Este equipo no es adecuado para utilizarlo en lugares donde pueda haber niños.
- Una sustitución inadecuada de la batería por otra de tipo incorrecto podría inhabilitar alguna medida de protección (por ejemplo, en el caso de algunas baterías de litio).
- NO arroje la batería al fuego ni la meta en un horno caliente, ni intente aplastar o cortar mecánicamente la batería, ya que podría explotar.
- NO deje la batería en lugares con temperaturas extremadamente altas, ya que podría explotar o tener fugas de líquido electrolítico o gas inflamable.
- NO permita que la batería quede expuesta a una presión de aire extremadamente baja, ya que podría explotar o tener fugas de líquido electrolítico o gas inflamable.

Instalación

- Instale el equipo de acuerdo con las instrucciones de este manual.
- Con el fin de evitar lesiones, este equipo se debe sujetar firmemente al techo o a una pared de conformidad con las instrucciones de instalación.
- No coloque nunca el equipo en una ubicación inestable. El equipo podría caer y provocar graves lesiones o la muerte.
- Este equipo está diseñado para usarse solo con los soportes correspondientes. Su uso con otro tipo de soporte (carros, estantes o transportadores) podría ser inestable y ocasionar lesiones.
- La fuerza adicional debe ser equivalente a tres veces el peso del equipo, pero no inferior a 50 N. El equipo y el soporte asociado deben permanecer seguros durante la instalación.
- Tras la instalación, no se debe dañar el equipo ni tampoco las placas de montaje asociadas.

Seguridad del sistema


- Usted reconoce que la naturaleza de internet entraña riesgos de seguridad y que nuestra empresa no está obligada a asumir ninguna responsabilidad debido a un funcionamiento anómalo, una vulneración de la privacidad o cualquier otro daño resultante de un ciberataque o un ataque por parte de piratas informáticos; no obstante, nuestra empresa proporcionará la asistencia técnica necesaria de forma oportuna si fuera necesario.
- Garantice la protección de la información personal y la seguridad de datos, ya que el dispositivo puede encontrar problemas de seguridad cuando esté conectado a internet. Póngase en contacto con nosotros si se compromete la seguridad en la red del dispositivo.
- Recuerde que es su responsabilidad instalar las contraseñas y las demás configuraciones de seguridad del dispositivo. Proteja su nombre de usuario y contraseña.

Mantenimiento

- Si el producto no funciona correctamente, por favor, póngase en contacto con su distribuidor o con el centro de servicio técnico más próximo. No nos haremos responsables de los problemas derivados de una reparación o mantenimiento no autorizados.
- Algunos componentes del dispositivo (p. ej., condensador electrolítico) requieren ser sustituidos regularmente. La vida útil media varía, por lo que se recomienda una verificación periódica. Contacte con su vendedor para más detalles.

- Limpie suavemente el dispositivo con una gamuza limpia con una pequeña cantidad de etanol, si fuese necesario.
- Si se utiliza el equipo de una manera no especificada por el fabricante, la protección del dispositivo podría verse mermada.
- Para reducir el riesgo de incendio, reemplace el fusible por otro del mismo tipo y clasificación.
- El puerto serie del equipo se utiliza únicamente con fines de depuración.
- Desconecte la fuente de alimentación durante los mantenimientos y reparaciones.

Entorno de uso

- Compruebe que el entorno de uso se adapte a los requisitos del dispositivo. La temperatura de funcionamiento estará entre -20 °C y 50 °C (-4 °F y 122 °F), y la humedad relativa será del 95 % o inferior, sin condensación.
- NO exponga el dispositivo a radiaciones electromagnéticas o entornos polvorientos.
- NO oriente la lente hacia el sol ni a otras luces brillantes.
- No se expondrá el equipo a goteos ni salpicaduras y no se colocarán sobre él objetos llenos de líquidos, como jarrones.
- No coloque llamas abiertas, como velas encendidas, sobre el equipo.
- Dedos quemados al manipular las piezas con el símbolo . Espere media hora después de apagar el equipo para tocar las partes.

Emergencia

- Si hay presencia de humo, olores o ruidos procedentes del dispositivo, apague la alimentación inmediatamente, desenchufe el cable de alimentación y contacte con el servicio técnico.

Dirección de fabricación

Habitación 313, Unidad B, Edificio 2, Carretera de Danfeng 399, Subdistrito de Xixing, Distrito de Binjiang, Hangzhou, Zhejiang 310052, China
Hangzhou Microimage Software Co., Ltd.

AVISO DE CONFORMIDAD: Los productos de las series térmicas podrían estar sujetos a controles de exportación en algunos países o regiones; entre ellos, por ejemplo, los Estados Unidos, la Unión Europea, el Reino Unido y/o otros países miembros del Arreglo de Wassenaar. Consulte con algún experto en cumplimiento normativo y legal o con las autoridades gubernamentales locales para cumplir con los requisitos de licencia de exportación necesarios si desea transferir, exportar o reexportar los productos de las series térmicas entre distintos países.

Português



A aparência do produto serve apenas de referência e pode ser diferente do produto real.

Interface e Botões – Página A

N.º	Função	N.º	Função
1	Microfone	6	Cabo de rede
2	Lente térmica	7	Cabo de alimentação
3	Entrada de cartões microSD	8	RS-485 & Interface do alarme
4	Botão de reinicialização	9	Altifalante
5	Porta série		

Nota:

A porta série do equipamento é utilizada apenas para a depuração.

**Este dispositivo pode detectar quedas numa distância de detecção de 4 m. Como um dispositivo assistente, este dispositivo não pode garantir que todas as quedas podem ser detectadas dentro da sua área. A detecção de queda pode ser afectada sob circunstâncias especiais. Para garantir a precisão de detecção, é recomendado que este dispositivo seja colocado numa parede interior com uma altura de instalação de 2,7 m. Por favor, garanta que nenhum espelho, produto de metal ou outra obstrução aparece diretamente em frente do dispositivo.*

Manual do Utilizador

Para obter informações detalhadas, consulte o manual do utilizador do dispositivo.




© 2022 Hangzhou Microimage Software Co., Ltd. Todos os direitos reservados.

Acerca deste Manual

O Manual inclui instruções para utilizar e gerir o produto. As fotografias, os gráficos, as imagens e todas as outras informações doravante apresentadas destinam-se apenas a fins de descritivos e informativos. As informações que constam do Manual estão sujeitas a alteração, sem aviso prévio, devido a atualizações de firmware ou a outros motivos. Encontre a versão mais recente deste Manual no website da HIKMICRO (www.hikmicrotech.com/). Utilize este Manual sob orientação e com a assistência de profissionais formados neste Produto.

Marcas comerciais

 e outras marcas registadas e logótipos da HIKMICRO são propriedades da HIKMICRO em diversos territórios.

Outras marcas comerciais e logótipos mencionados são propriedade dos respetivos proprietários.

AVISO LEGAL

NA MEDIDA MÁXIMA PERMITIDA PELA LEI APLICÁVEL, ESTE MANUAL E O PRODUTO DESCRITO, COM O SEU HARDWARE, SOFTWARE E FIRMWARE, SÃO FORNECIDOS “TAL COMO ESTÃO” E “COM TODAS AS SUAS FALHAS E ERROS”. A HIKMICRO NÃO APRESENTA QUAISQUER GARANTIAS, EXPRESSAS OU IMPLÍCITAS, INCLUINDO, SEM QUAISQUER

LIMITAÇÕES, GARANTIAS DE COMERCIALIZIDADE, QUALIDADE SATISFATÓRIA OU ADEQUAÇÃO A UM DETERMINADO FIM. A SUA UTILIZAÇÃO DESTE PRODUTO É FEITA POR SUA CONTA E RISCO. EM NENHUMA CIRCUNSTÂNCIA, A HIKMICRO SERÁ RESPONSÁVEL POR SI EM RELAÇÃO A QUAISQUER DANOS ESPECIAIS, CONSEQUENCIAIS, INCIDENTAIS OU INDIRETOS, INCLUINDO, ENTRE OUTROS, DANOS PELA PERDA DE LUCROS COMERCIAIS, INTERRUPTÃO DA ATIVIDADE, PERDA DE DADOS, CORRUPÇÃO DE SISTEMAS OU PERDA DE DOCUMENTAÇÃO SEJA COM BASE NUMA VIOLAÇÃO DO CONTRATO, ATOS ILÍCITOS (INCLUÍDO NEGLIGÊNCIA), RESPONSABILIDADE PELO PRODUTO OU, DE OUTRO MODO, RELACIONADA COM A UTILIZAÇÃO DO PRODUTO, AINDA QUE A HIKMICRO TENHA SIDO AVISADA SOBRE A POSSIBILIDADE DE TAIS DANOS OU PERDAS.

O UTILIZADOR RECONHECE QUE A NATUREZA DA INTERNET OFERECE RISCOS DE SEGURANÇA INERENTES E QUE A HIKMICRO NÃO SERÁ RESPONSABILIZADA POR UM FUNCIONAMENTO ANORMAL, PERDA DE PRIVACIDADE OU OUTROS DANOS RESULTANTES DE ATAQUES INFORMÁTICOS, ATAQUES DE PIRATARIA, INFEÇÃO POR VÍRUS OU OUTROS RISCOS ASSOCIADOS À SEGURANÇA DA INTERNET. NO ENTANTO, A HIKMICRO PRESTARÁ APOIO TÉCNICO ATEMPADO, SE SOLICITADO.

O UTILIZADOR ACEITA UTILIZAR ESTE PRODUTO EM CONFORMIDADE COM TODAS AS LEIS APLICÁVEIS E SER O ÚNICO RESPONSÁVEL POR GARANTIR QUE A SUA UTILIZAÇÃO É CONFORME À LEI APLICÁVEL.

PARTICULARMENTE, O UTILIZADOR É O RESPONSÁVEL PELA UTILIZAÇÃO DESTE PRODUTO DE MODO QUE NÃO INFRINJA OS DIREITOS DE TERCEIROS, INCLUINDO, ENTRE OUTROS, OS DIREITOS DE PUBLICIDADE, DIREITOS DE PROPRIEDADE INTELECTUAL OU DE PROTEÇÃO DE DADOS, OU QUAISQUER OUTROS DIREITOS DE PRIVACIDADE. O UTILIZADOR NÃO PODERÁ UTILIZAR ESTE PRODUTO PARA QUAISQUER UTILIZAÇÕES FINAIS PROIBIDAS, INCLUINDO O DESENVOLVIMENTO OU PRODUÇÃO DE ARMAS DE DESTRUÇÃO MACIÇA, DESENVOLVIMENTO OU PRODUÇÃO DE QUÍMICOS OU ARMAS BIOLÓGICAS, QUAISQUER ATIVIDADES DESENVOLVIDAS NO ÂMBITO DE EXPLOSIVOS NUCLEARES OU CICLOS DE COMBUSTÍVEL NUCLEAR INSEGURO OU PARA APOIAR ABUSOS AOS DIREITOS HUMANOS.

NA EVENTUALIDADE DA OCORRÊNCIA DE ALGUM CONFLITO ENTRE ESTE MANUAL E A LEGISLAÇÃO APLICÁVEL, ESTA ÚLTIMA PREVALECE.

Informação Regulamentar

Estas cláusulas aplicam-se apenas a productos que contêm a marca correspondente ou informação.

Declaração de conformidade da UE



Este produto e - se aplicável - os acessórios fornecidos também têm a marcação "CE" e estão em conformidade com as normas europeias harmonizadas aplicáveis enumeradas na Diretiva 2014/30/UE (EMCD), Diretiva 2014/35/UE (LVD) e Diretiva 2011/65/UE (RoHS).



Diretiva 2012/19/UE (diretiva REEE): Os produtos com este símbolo não podem ser eliminados como resíduos urbanos indiferenciados na União Europeia. Para uma reciclagem adequada, devolva este produto ao seu fornecedor local quando adquirir um novo equipamento equivalente ou elimine-o através dos pontos de recolha adequados. Para obter mais informações consulte: www.recyclethis.info



Diretiva 2006/66/CE e respetiva alteração 2013/56/UE (diretiva relativa às pilhas e baterias): Este produto contém uma bateria que não pode ser eliminada como resíduo urbano indiferenciado na União Europeia. Consulte a documentação do produto para obter informações específicas acerca da bateria. A bateria está marcada com este símbolo, que poderá incluir inscrições para indicar a presença de cádmio (Cd), chumbo (Pb), ou mercúrio (Hg). Para reciclar o produto de forma adequada, devolva a bateria ao seu fornecedor ou coloque-a num ponto de recolha apropriado. Para obter mais informações consulte: www.recyclethis.info

Utilize o adaptador de alimentação fornecido por um fabricante qualificado. Para informações detalhadas sobre os requisitos relativos à alimentação, consulte as especificações do produto.

Utilize uma bateria fornecida por um fabricante qualificado. Para informações detalhadas sobre os requisitos relacionados com a bateria, consulte as especificações do produto.

Instruções de segurança

Estas instruções destinam-se a garantir que o utilizador possa utilizar o produto corretamente para evitar perigos ou perdas materiais.

Legislação e regulamentos

O dispositivo deve ser utilizado em conformidade com as leis, regulamentos de segurança elétrica e regulamentos de prevenção de incêndios locais.

Transporte

- Mantenha o dispositivo na embalagem original ou similar, quando o transportar.
- Depois da abertura da embalagem do produto, guarde todos invólucros, para uso posterior. Em caso de qualquer avaria, deve devolver o dispositivo à fábrica com o invólucro original.
- O transporte sem o invólucro original pode resultar em danos no dispositivo, sendo que a empresa não assumirá quaisquer responsabilidades.
- Não deixe o produto cair, nem o sujeite a impactos físicos. Mantenha o dispositivo longe de interferências magnéticas.

Alimentação elétrica

- A compra do carregador fica por sua conta. A tensão de entrada deve cumprir a Fonte de potência limitada (12 VCC), de acordo com a norma IEC62368. Consulte as especificações técnicas para obter informações detalhadas.
- Certifique-se de que a ficha está devidamente ligada à tomada.
- A tomada deverá estar instalada perto do equipamento e ser facilmente acessível.
- NÃO ligue vários dispositivos a um adaptador de energia, para evitar o superaquecimento de riscos de incêndio provocados por sobrecarga.
- NÃO toque nos contactos metálicos expostos das entradas depois de desligar o disjuntor. Ainda existe condução de eletricidade.
- + identifica o terminal positivo do equipamento com o qual é utilizada ou gera corrente direta. - identifica o terminal negativo do equipamento com o qual é utilizada ou gera corrente direta.
- Certifique-se de que a cablagem dos terminais foi efetuada corretamente para ligação a uma fonte de alimentação CA.

Bateria

- Existe risco de explosão se a bateria for substituída por outra de tipo incorreto. Elimine as pilhas usadas de acordo com as instruções.
- A bateria integrada não pode ser desmontada. Contacte o fabricante caso necessite de uma reparação.
- Em caso de armazenamento prolongado da bateria, certifique-se de que esta é totalmente carregada de 6 em 6 meses, garantindo, assim, a sua qualidade. Caso contrário, poderão ocorrer danos.
- Este equipamento não se adequa a utilização em locais onde a presença de crianças seja provável.
- A substituição incorreta da bateria por outra de tipo incorreto pode destruir uma proteção (por exemplo, no caso de alguns tipos de bateria de lítio).
- NÃO proceda à eliminação da bateria numa fogueira ou forno quente, ou mediante esmagamento ou corte mecânico da mesma

pois tal pode resultar numa explosão.

- NÃO deixe a bateria num ambiente com temperaturas extremamente elevadas pois tal pode resultar numa explosão ou na fuga de líquido inflamável ou gás.
- NÃO sujeite a bateria a pressão de ar extremamente baixa pois tal poderá resultar numa explosão de líquido inflamável ou gás.

Instalação

- Instale o equipamento de acordo com as instruções constantes deste manual.
- Para evitar ferimentos, este equipamento deve ser fixo corretamente ao teto/parede em conformidade com as instruções de instalação.
- Nunca coloque o equipamento num local instável. O equipamento pode cair e causar lesões corporais graves ou morte.
- Este equipamento destina-se a ser utilizado apenas com os suportes correspondentes. A utilização com outros tipos de suporte (carrinhos, bancadas ou carrinhos de transporte) pode resultar em instabilidade e causar ferimentos.
- A força adicional deverá ser igual a três vezes o peso do equipamento, mas não inferior a 50 N. O equipamento e respetivos meios de montagem associados devem ser mantidos em segurança durante a instalação.
- Após a instalação, o equipamento, incluindo qualquer placa de montagem associada, não devem estar danificados.

Segurança do sistema

- O utilizador reconhece que a natureza da Internet comporta riscos de segurança inerentes e que a nossa empresa não será responsabilizada pelo funcionamento anormal, perda de privacidade ou outros danos resultantes de ataques informáticos ou ataques de pirataria. No entanto, a nossa empresa prestará apoio técnico atempado, se solicitado.
- Por favor, cumpra os requisitos de proteção de informações pessoais e de segurança de dados, uma vez que o dispositivo pode enfrentar problemas de segurança ao estar ligado à internet. Por favor, contacte-nos quando achar que o dispositivo possa estar exposto a riscos de segurança por estar ligado à rede.
- Por favor, tenha em consideração que a configuração das palavras-passe e de outras definições de segurança do dispositivo são da sua responsabilidade, assim como o guardar do seu nome de utilizador e da sua palavra-passe.

Manutenção

- Se o produto não funcionar corretamente, contacte o seu fornecedor ou o seu centro de assistência mais próximo. Não assumimos qualquer responsabilidade por problemas causados por reparações ou manutenções não autorizadas.


- Alguns componentes do dispositivo (por exemplo, condensador eletrolítico) necessita de substituição regular. A duração média varia, portanto, recomenda-se verificação periódica. Entre em contacto com o respetivo revendedor para obter detalhes.
- Limpe o dispositivo suavemente com um pano limpo e uma pequena quantidade de etanol, se necessário.
- Se o equipamento for utilizado de uma forma não especificada pelo fabricante, a proteção providenciada pelo dispositivo poderá ser afetada.
- Para reduzir o risco de incêndio, o fusível deve ser substituído apenas por outro do mesmo tipo e com a mesma potência.
- A porta série do equipamento é utilizada apenas para a depuração.
- Desligue a fonte de alimentação durante as operações de manutenção.

Ambiente da utilização

- Certifique-se de que o ambiente de funcionamento do dispositivo cumpre os requisitos do mesmo. A temperatura de funcionamento deve ser de -20 °C a 50 °C (de -4 °F a 122 °F) e a humidade de funcionamento deve ser igual ou inferior a 95%, sem condensação.
- NÃO exponha o dispositivo a radiação eletromagnética elevada nem a ambientes com pó.
- NÃO direcione a lente para o sol nem para qualquer outra luz brilhante.
- O equipamento não deverá ser exposto a derrames ou salpicos de líquidos e nenhum

objeto que contenha líquidos, como vasos, deverá ser colocado sobre o equipamento.

- Não deverão ser colocadas fontes de chama livre, como velas acesas, sobre o equipamento.

- Queimadura dos dedos resultante do manuseamento das peças com o símbolo . Desligue o equipamento, aguarde trinta minutos e só então deverá manusear as peças.

Emergência

- Caso o dispositivo emita fumo, odores ou ruídos, desligue a alimentação elétrica de imediato, retire o cabo de alimentação da tomada e contacte o centro de assistência.

Endereço do fabricante

Sala 313, Unidade B, Edifício 2, Rua Danfeng 399, Subdistrito Xixing, Distrito Binjiang, Hangzhou, Zhejiang 310052, China
Hangzhou Microimage Software Co., Ltd.

AVISO DE CONFORMIDADE: Os produtos da série térmica poderão estar sujeitos a controlos de exportação em vários países ou regiões, incluindo sem limite, os Estados Unidos da América, a União Europeia, o Reino Unido e/ou outros países-membro do Acordo de Wassenaar. Consulte o seu especialista em legislação ou em conformidade ou as autoridades locais para saber os requisitos de licença de exportação necessários se pretender transferir, exportar, voltar a exportar os produtos da série térmica entre países diferentes.

Italiano



L'immagine del prodotto serve solo come riferimento e potrebbe differire dal prodotto effettivo.

Interfaccia e pulsante – pagina A

N.	Funzione	N.	Funzione
1	Microfono	6	Cavo di rete
2	Obiettivo termico	7	Cavo di alimentazione
3	Slot per scheda microSD	8	Interfaccia RS-485 e allarme
4	Pulsante di reset	9	Altoparlante
5	Porta seriale		

Nota:

La porta seriale del dispositivo serve solo per attività di debugging.

**Questo dispositivo è in grado di rilevare le cadute nel raggio di 4 m.*

Essendo un dispositivo di assistenza, non è possibile garantire che tutte le cadute vengano rilevate nel suo raggio di rilevamento. Il rilevamento delle cadute può essere soggetto a errori in circostanze particolari. Per garantire l'accuratezza del rilevamento, si consiglia di montare questo dispositivo su una parete interna con un'altezza di montaggio di 2,7 m. Assicurarvi che non vi siano specchi, prodotti metallici o altri ostacoli direttamente davanti al dispositivo.

Manuale dell'utente

Per informazioni dettagliate, consultare il manuale del dispositivo.




© 2022 Hangzhou Microimage Software Co., Ltd. Tutti i diritti riservati.

Informazioni sul presente Manuale

Il presente Manuale contiene le istruzioni per l'uso e la gestione del prodotto. Le illustrazioni, i grafici e tutte le altre informazioni che seguono hanno solo scopi illustrativi ed esplicativi. Le informazioni contenute nel Manuale sono soggette a modifiche senza preavviso in seguito ad aggiornamenti del firmware o per altri motivi. Scaricare la versione più recente del presente Manuale dal sito web di HIKMICRO (www.hikmicrotech.com/).

Utilizzare il presente Manuale con la supervisione e l'assistenza di personale qualificato nel supporto del prodotto.

Marchi commerciali

 HIKMICRO e gli altri marchi registrati e loghi di HIKMICRO sono di proprietà di HIKMICRO nelle varie giurisdizioni.

Gli altri marchi registrati e loghi menzionati appartengono ai rispettivi proprietari.

ESCLUSIONE DI RESPONSABILITÀ

NELLA MISURA MASSIMA CONSENTITA DALLA LEGGE VIGENTE, QUESTO MANUALE E IL PRODOTTO DESCRITTO, CON IL SUO HARDWARE, SOFTWARE E FIRMWARE, SONO FORNITI "COSÌ COME SONO" E "CON TUTTI I DIFETTI E GLI ERRORI". HIKMICRO NON RILASCI ALCUNA GARANZIA, NÉ ESPRESSA NÉ IMPLICITA COME, SOLO A TITOLO DI ESEMPIO, GARANZIE DI COMMERCIALIZZABILITÀ, QUALITÀ SODDISFACENTE O IDONEITÀ PER UN USO SPECIFICO. L'UTENTE UTILIZZA IL PRODOTTO A PROPRIO RISCHIO. HIKMICRO DECLINA QUALSIASI RESPONSABILITÀ VERSO L'UTENTE IN RELAZIONE A DANNI SPECIALI,

CONSEQUENZIALI E INCIDENTALI, COMPRESI, TRA GLI ALTRI, I DANNI DERIVANTI DA MANCATO PROFITTO, INTERRUZIONE DELL'ATTIVITÀ O PERDITA DI DATI, DANNEGGIAMENTO DI SISTEMI O PERDITA DI DOCUMENTAZIONE, DERIVANTI DA INADEMPIENZA CONTRATTUALE, ILLECITO (COMPRESA LA NEGLIGENZA), RESPONSABILITÀ PER DANNI AI PRODOTTI O ALTRIMENTI IN RELAZIONE ALL'USO DEL PRODOTTO, ANCHE QUALORA HIKMICRO SIA STATA INFORMATA DELLA POSSIBILITÀ DI TALI DANNI O PERDITE. L'UTENTE RICONOSCE CHE LA NATURA DI INTERNET PREVEDE RISCHI DI SICUREZZA INTRINSECI E CHE HIKMICRO DECLINA QUALSIASI RESPONSABILITÀ IN RELAZIONE A FUNZIONAMENTI ANOMALI, VIOLAZIONE DELLA RISERVATEZZA O ALTRI DANNI RISULTANTI DA ATTACCHI INFORMATICI, INFEZIONE DA VIRUS O ALTRI RISCHI LEGATI ALLA SICUREZZA SU INTERNET; TUTTAVIA, HIKMICRO FORNIRÀ TEMPESTIVO SUPPORTO TECNICO, SE NECESSARIO.

L'UTENTE ACCETTA DI UTILIZZARE IL PRODOTTO IN CONFORMITÀ A TUTTE LE LEGGI VIGENTI E DI ESSERE IL SOLO RESPONSABILE DI TALE UTILIZZO CONFORME. IN PARTICOLARE, L'UTENTE È RESPONSABILE DEL FATTO CHE L'UTILIZZO DEL PRODOTTO NON VIOLI DIRITTI DI TERZI COME, SOLO A TITOLO DI ESEMPIO, DIRITTI DI PUBBLICITÀ, DIRITTI DI PROPRIETÀ INTELLETTUALE O DIRITTI RELATIVI ALLA PROTEZIONE DEI DATI E ALTRI DIRITTI RIGUARDANTI LA PRIVACY. NON È CONSENTITO UTILIZZARE QUESTO PRODOTTO PER SCOPI PROIBITI, COME, TRA GLI ALTRI, LA PRODUZIONE DI ARMI DI DISTRUZIONE DI MASSA, LO SVILUPPO O LA PRODUZIONE DI

ARMI CHIMICHE O BIOLOGICHE, QUALSIASI ATTIVITÀ SVOLTA IN CONTESTI CORRELATI A ESPLOSIVI NUCLEARI O COMBUSTIBILI NUCLEARI NON SICURI O ATTIVITÀ CHE CAUSINO VIOLAZIONI DEI DIRITTI UMANI. IN CASO DI CONFLITTO TRA IL PRESENTE MANUALE E LA LEGGE VIGENTE, PREVARRÀ QUEST'ULTIMA.

Informazioni sulle norme

Queste disposizioni si applicano solo ai prodotti che recano il marchio o le informazioni corrispondenti.

Dichiarazione di conformità UE



Il presente prodotto e, ove applicabile, gli accessori in dotazione sono contrassegnati con il marchio "CE" e sono quindi conformi alle norme europee armonizzate vigenti di cui alla Direttiva sulla compatibilità elettromagnetica 2014/30/UE (EMCD), Direttiva sulla bassa tensione 2014/35/UE (LVD), Direttiva sulla restrizione dell'uso di sostanze pericolose 2011/65/UE (RoHS).



Direttiva 2012/19/UE (RAEE): i prodotti contrassegnati con il presente simbolo non possono essere smaltiti come rifiuti domestici indifferenziati nell'Unione europea.

Per lo smaltimento corretto, restituire il prodotto al rivenditore in occasione dell'acquisto di una nuova apparecchiatura o smaltirlo nei punti di raccolta autorizzati. Per ulteriori informazioni, visitare:

www.recyclethis.info



Direttiva 2006/66/CE, modificata dalla Direttiva 2013/56/UE (Direttiva sulle batterie): questo prodotto contiene una batteria e non è possibile smaltirlo con i rifiuti domestici indifferenziati nell'Unione europea.

Fare riferimento alla documentazione del prodotto per le informazioni specifiche sulla batteria. La batteria è contrassegnata con il presente simbolo, che potrebbe includere le sigle di cadmio (Cd), piombo (Pb) o mercurio (Hg). Per lo smaltimento corretto, restituire la batteria al rivenditore locale o smaltirla nei punti di raccolta autorizzati. Per ulteriori informazioni, visitare: www.recyclethis.info

Utilizzare un alimentatore fornito da un produttore qualificato. Fare riferimento alle specifiche del prodotto per i requisiti di alimentazione dettagliati.

Utilizzare una batteria fornita da un produttore qualificato. Fare riferimento alle specifiche del prodotto per i requisiti di batteria dettagliati.

Istruzioni per la sicurezza

Le presenti istruzioni hanno lo scopo di

garantire che il prodotto venga utilizzato in modo corretto, evitando situazioni di pericolo o danni materiali.

Leggi e regolamenti

Il dispositivo deve essere utilizzato rispettando le leggi locali, le norme sulla sicurezza elettrica e le norme sulla prevenzione degli incendi.

Trasporto

- Per trasportare il dispositivo, riporlo nella confezione originale o in una analoga.
- Dopo aver disimballato il prodotto, conservare tutto il materiale di imballaggio per riutilizzarlo in futuro. In caso di guasti, sarà necessario inviare il dispositivo al sito di produzione con l'imballaggio originale.
- Il trasporto senza l'imballaggio originale può causare danni al dispositivo; in tal caso il produttore declina ogni responsabilità.
- Non lasciar cadere il prodotto e non sottoporlo a impatti. Tenere il dispositivo lontano dai campi magnetici.

Alimentazione

- Acquistare l'alimentatore separatamente. La tensione in ingresso deve essere conforme alla norma IEC62368 sulle fonti di alimentazione limitate (12 VCC). Per informazioni dettagliate, consultare le specifiche tecniche.
- Verificare che la spina sia correttamente inserita nella presa di corrente.
- La presa deve essere nelle vicinanze del dispositivo ed essere facilmente accessibile.
- NON collegare più dispositivi allo stesso alimentatore per evitare rischi di surriscaldamento o di incendio da sovraccarico.
- NON toccare i contatti metallici scoperti degli ingressi nemmeno dopo aver aperto l'interruttore automatico. L'elettricità residua è pericolosa.
- + indica il terminale positivo dell'attrezzatura che ne fa uso o che genera la corrente diretta. - indica il terminale negativo dell'attrezzatura che ne fa uso o che genera la corrente diretta.
- Verificare il corretto cablaggio dei terminali prima di collegare l'alimentazione CA.

Batteria

- Rischio di esplosione se la batteria viene sostituita con una di tipo non corretto. Smaltire le batterie usate seguendo le istruzioni.
- La batteria integrata non può essere smontata. Per eventuali riparazioni, rivolgersi al produttore.
- Se la batteria rimane inutilizzata per lunghi periodi, caricarla completamente ogni sei mesi per garantire una lunga durata. In caso contrario potrebbe subire danni.
- Non utilizzare il dispositivo in ambienti in cui possono essere presenti bambini.
- La sostituzione della batteria con una di tipo non idoneo può impedire il corretto funzionamento dei sistemi di sicurezza (ad

- esempio con alcuni tipi di batterie al litio).
- NON gettare le batterie nel fuoco o in un forno caldo ed evitare di schiacciarle o tagliarle, per prevenire il rischio di esplosioni.
 - NON lasciare le batterie in ambienti con temperature estremamente alte, perché possono esplodere o perdere liquidi o gas infiammabili.
 - NON sottoporre le batterie a una pressione atmosferica estremamente bassa, perché possono esplodere o perdere liquidi o gas infiammabili.

Installazione

- Installare l'attrezzatura seguendo le istruzioni del presente manuale.
- Per evitare il rischio di lesioni personali, questa attrezzatura deve essere saldamente fissata al soffitto o alla parete, come indicato nelle istruzioni di installazione.
- Non collocare mai l'attrezzatura in una posizione instabile. L'attrezzatura potrebbe cadere, causando lesioni personali gravi e anche mortali.
- La presente attrezzatura deve essere usata solo con le staffe adeguate. L'uso con altri componenti (carrelli, sostegni o contenitori) potrebbe causare l'instabilità dell'attrezzatura e il rischio di lesioni personali.
- La forza applicata deve essere pari al triplo del peso del dispositivo e in ogni caso non inferiore a 50 N. Il dispositivo e gli utensili utilizzati per il montaggio devono rimanere al sicuro durante l'installazione.
- Dopo l'installazione, l'apparecchiatura e la piastra di montaggio non devono essere danneggiate.

Sicurezza di sistema

- L'utente riconosce che la natura di Internet comporta rischi intrinseci per la sicurezza e che la nostra azienda declina qualsiasi responsabilità in relazione a funzionamenti anomali, violazione della riservatezza o altri danni risultanti da attacchi informatici o attacchi di hacker; tuttavia, la nostra azienda fornirà tempestivo supporto tecnico, se necessario.
- Adottare le misure opportune per proteggere i dati personali e garantire la propria sicurezza poiché il dispositivo potrebbe essere esposto a rischi relativi alla sicurezza, quando è connesso a Internet. Si prega di contattarci qualora il dispositivo dovesse essere soggetto a rischi per la sicurezza della rete.
- È bene ricordare che l'utente ha la piena responsabilità di configurare tutte le password e le altre impostazioni di sicurezza relative al dispositivo e di conservare nome utente e password in modo sicuro.

Manutenzione


- Se il prodotto non funziona correttamente, rivolgersi al rivenditore o al centro di assistenza più vicino. Decliniamo qualsiasi responsabilità in relazione a problemi causati

da interventi di riparazione o manutenzione non autorizzati.

- Alcuni componenti (ad esempio, il condensatore elettrolitico) devono essere sostituiti periodicamente. La durata media di questi elementi è variabile, quindi devono essere controllati regolarmente. Contattare il rivenditore per i dettagli.
- Se necessario, pulire delicatamente il dispositivo con un panno pulito imbevuto di una piccola quantità di alcool etilico.
- Se il dispositivo venisse utilizzato in un modo non approvato dal produttore, la sua garanzia potrebbe essere annullata.
- Per ridurre il rischio di incendi, sostituire i fusibili solo con altri dello stesso tipo e dello stesso valore nominale.
- La porta seriale del dispositivo serve solo per attività di debugging.

- Scollegare l'alimentazione elettrica durante la manutenzione.

Ambiente di utilizzo

- Verificare che l'ambiente di utilizzo soddisfi i requisiti del dispositivo. La temperatura operativa deve essere compresa tra -20 °C e 50 °C (tra -4 °F e 122 °F) e l'umidità non deve superare il 95%, senza condensa.
- NON esporre il dispositivo a radiazioni elettromagnetiche intense o ad ambienti polverosi.
- NON orientare l'obiettivo verso il sole o altre luci intense.
- L'attrezzatura non deve essere esposta a schizzi o gocciolamenti di liquidi; non poggiare sull'attrezzatura oggetti contenenti liquidi, ad esempio vasi.
- Non collocare sull'attrezzatura sorgenti di fiamme libere, come candele accese.
- Esiste il rischio di ustioni alle dita quando si maneggiano componenti con il simbolo . Attendere mezz'ora dallo spegnimento prima di toccare gli elementi del dispositivo.

Emergenza

- Se il dispositivo emette fumo, odori o rumori, spegnerlo immediatamente e scollegare il cavo di alimentazione, quindi rivolgersi a un centro di assistenza.

Indirizzo del produttore

Stanza 313, unità B, edificio 2, via Danfeng 399, subdistretto Xixing, distretto Binjiang, Hangzhou, Zhejiang, 310052, Cina
Hangzhou Microimage Software Co., Ltd.

AVVISO SULLA CONFORMITÀ: i prodotti termografici potrebbero essere soggetti a controlli sulle esportazioni in vari Paesi o regioni, tra cui Stati Uniti, Unione europea, Regno Unito e/o altri Paesi membri dell'accordo di Wassenaar. Consultare un legale o un esperto di conformità o le autorità governative locali per eventuali requisiti di licenza di esportazione necessari se si intende trasferire, esportare,



Vzhled výrobku slouží pouze jako reference a může se od skutečného výrobku lišit.

Rozhraní a tlačítko – Strana A

Č.	Funkce	Č.	Funkce
1	Mikrofon	6	Síťový kabel
2	Termoobjektiv	7	Napájecí kabel
3	Slot karty MicroSD	8	Konektor RS-485 a alarmu
4	Tlačítko resetování	9	Reproduktor
5	Sériový port		

Poznámka:

Sériový port zařízení se používá pouze k ladění.

**Toto zařízení dokáže rozpoznat pády do detekční vzdálenosti 4m. Toto zařízení jako pomocné zařízení nemůže zajistit, že všechny pády lze zjistit v jeho dosahu. Za zvláštních okolností může být ovlivněna detekce pádu. Pro zajištění přesnosti detekce se toto zařízení doporučuje namontovat na vnitřní stěnu s montážní výškou 2,7m. Ujistěte se, že se nenacházejí žádná zrcadla, kovové výrobky a jiné překážky.*

Uživatelský Manuál

Podrobné informace najdete v uživatelské příručce k zařízení.



© 2022 Hangzhou Microimage Software Co., Ltd. Všechna práva vyhrazena.

Informace o tomto návodu

V návodu jsou obsaženy pokyny k používání a obsluze výrobku. Obrázky, schémata, snímky a veškeré ostatní zde uvedené informace slouží pouze jako popis a vysvětlení. Informace obsažené v tomto návodu podléhají vzhledem k aktualizacím firmwaru nebo z jiných důvodů změnám bez upozornění. Nejnovější verzi tohoto návodu naleznete na webových stránkách společnosti HIKMICRO (www.hikmicrotech.com/).

Tento návod používejte s vedením a pomocí

odborníků vyškolených v oblasti podpory výrobku.

Ochranné známky



a ostatní ochranné známky

společnosti HIKMICRO jsou vlastnictvím společnosti HIKMICRO v různých jurisdikcích.

Ostatní ochranné známky a loga uvedené v této příručce jsou majetkem příslušných vlastníků.

ZŘEKnutí SE ODPOVĚDNOSTI

TATO PŘÍRUČKA A POPISOVANÉ PRODUKTY VČETNĚ PŘÍSLUŠNÉHO HARDWARU, SOFTWARE A FIRMWARU JSOU V MAXIMÁLNÍM ROZSAHU PŘÍPUSTNÉM PODLE ZÁKONA POSKYTOVÁNY, „JAK STOJÍ A LEŽÍ“, A „SE VŠEMI VADAMI

A CHYBAMI“. SPOLEČNOST HIKMICRO NEPOSKYTUJE ŽÁDNÉ VÝSLOVNÉ ANI PŘEDPOKLÁDANÉ ZÁRUKY ZARNUJÍCÍ MIMO JINÉ PRODEJNOST, USPOKOJIVOU KVALITU NEBO VHDNOST KE KONKRÉTNÍM ÚČELŮM. POUŽÍVÁNÍ TOHOTO PRODUKTU JE NA VAŠE VLASTNÍ RIZIKO. SPOLEČNOST HIKMICRO V ŽÁDNÉM PŘÍPADĚ NENESE ODPOVĚDNOST ZA JAKÉKOLI ZVLÁŠTNÍ, NÁSLEDNÉ, NÁHODNÉ NEBO NEPŘÍMÉ ŠKODY ZAHRNÚJÍCÍ MIMO JINÉ ŠKODY ZE ZTRÁTY OBCHODNÍHO ZISKU, PŘERUŠENÍ OBCHODNÍ ČINNOSTI NEBO ZTRÁTY DAT, POŠKOZENÍ SYSTÉMŮ NEBO ZTRÁTY DOKUMENTACE V SOUVISLOSTI S POUŽÍVÁNÍM TOHOTO VÝROBKU BEZ OHLEDU NA TO, ZDA TAKOVÉ ŠKODY VZNIKLY Z DŮVODU PORUŠENÍ SMLOUVY, OBČANSKOPRÁVNÍHO PŘEČINU (VČETNĚ NEDBALOSTI) ČI ODPOVĚDNOSTI ZA PRODUKT, A TO ANI V PŘÍPADĚ, ŽE SPOLEČNOST HIKMICRO BYLA NA MOŽNOST TAKOVÝCHTO ŠKOD NEBO ZTRÁTY UPOZORNĚNA.

BERETE NA VĚDOMÍ, ŽE INTERNET SVOU PODSTATOU PŘEDSTAVUJE SKRYTÁ BEZPEČNOSTNÍ RIZIKA A SPOLEČNOST HIKMICRO PROTO NEPŘEBÍRÁ ŽÁDNOU ODPOVĚDNOST ZA NESTANDARDNÍ PROVOZNÍ CHOVÁNÍ, ÚNIK OSOBNÍCH ÚDAJŮ NEBO JINÉ ŠKODY VYPLÝVAJÍCÍ Z KYBERNETICKÉHO ČI HACKERSKÉHO ÚTOKU, NAPADENÍ VIREM NEBO ŠKODY ZPŮSOBENÉ JINÝMI INTERNETOVÝMI BEZPEČNOSTNÍMI RIZIKY; SPOLEČNOST HIKMICRO VŠAK V PŘÍPADĚ POTŘEBY POSKYTNE VČASNOU TECHNICKOU PODPORU.

SOUHLASÍTE S TÍM, ŽE TENTO PRODUKT BUDE POUŽÍVÁN V SOULADU SE VŠEMI PLATNÝMI ZÁKONY A VÝHRADNĚ ODPOVÍDÁTE ZA ZAJIŠTĚNÍ, ŽE VAŠE UŽÍVÁNÍ BUDE V SOULADU S PLATNOU LEGISLATIVOU. ODPOVÍDÁTE ZEJMÉNA ZA POUŽÍVÁNÍ PRODUKTU ZPŮSOBEM, KTERÝ NEPORUŠUJE PRÁVA TŘETÍCH STRAN, COŽ ZAHRNÚJE MIMO JINÉ PRÁVO NA OCHRANU OSOBNOSTI, PRÁVO DUŠEVNÍHO VLASTNICTVÍ NEBO PRÁVO NA OCHRANU OSOBNÍCH ÚDAJŮ A DALŠÍ PRÁVA NA OCHRANU SOUKROMÍ. TENTO PRODUKT NESMÍTE POUŽÍVAT K JAKÝMKOLI NEDOVOLENÝM KONCOVÝM ÚČELŮM VČETNĚ VÝVOJE ČI VÝROBY ZBRANÍ HROMADNÉHO NIČENÍ, VÝVOJE NEBO VÝROBY CHEMICKÝCH ČI BIOLOGICKÝCH ZBRANÍ NEBO JAKÝCHKOLI ČINNOSTÍ SOUVISEJÍCÍCH S JADERNÝMI VÝBUŠNINAMI NEBO NEBEZPEČNÝM JADERNÝM PALIVOVÝM CYKLEM ČI K PODPOŘE PORUŠOVÁNÍ LIDSKÝCH PRÁV.

V PŘÍPADĚ JAKÉHOKOLI ROZPORU MEZI TÍMTO NÁVODEM A PŘÍSLUŠNÝMI ZÁKONY PLATÍ DRUHÉ ZMÍNĚNÉ.

Zákonné informace

Tato ustanovení se vztahují pouze na výrobky označené odpovídající značkou nebo informací.

EU prohlášení o shodě



Tento výrobek a případně i dodané příslušenství mají označení „CE“, a tudíž splňují požadavky platných harmonizovaných evropských norem uvedených ve směrnici 2014/30/EU (EMCD), směrnici 2014/35/EU (LVD) a směrnici 2011/65/EU (RoHS).



Směrnice 2012/19/EU (směrnice WEEE): Výrobky označené tímto symbolem nelze v Evropské unii likvidovat společně s netříděným domovním odpadem. Při zakoupení nového ekvivalentního výrobku tento výrobek řádně zrecyklujte vrácením svému místnímu dodavateli, nebo jej zlikvidujte odevzdáním v určených sběrných místech. Více informací naleznete na webu: www.recyclethis.info



Směrnice 2006/66/ES a její úprava 2013/56/EU (směrnice o bateriích): Tento výrobek obsahuje baterii, kterou nelze v Evropské unii likvidovat společně s netříděným domovním odpadem. Konkrétní informace o baterii naleznete v dokumentaci výrobku. Baterie je označena tímto symbolem, který může obsahovat písmena značící kadmium (Cd), olovo (Pb) nebo rtuť (Hg). Za účelem řádné recyklace baterii odevzdejte svému dodavateli nebo na určené sběrné místo. Více informací naleznete na webu: www.recyclethis.info

Používejte napájecí adaptér dodaný kvalifikovaným výrobcem. Podrobné požadavky na napájení naleznete ve specifikaci výrobku.

Používejte baterii dodanou kvalifikovaným výrobcem. Podrobné požadavky na baterii naleznete ve specifikaci výrobku.

Bezpečnostní pokyny

Účelem těchto pokynů je zajistit, aby uživatel mohl výrobek správně používat a zabránilo se nebezpečí nebo újmě na majetku.

Zákony a předpisy

Zařízení je nutné používat v souladu s místními zákony a předpisy týkajícími se elektrické bezpečnosti a předpisy pro protipožární ochranu.

Přeprava

- Při přepravě uchovávejte zařízení v původním nebo jemu podobném balení.
- Po vybalení uchovejte veškeré obaly pro budoucí použití. V případě jakékoli poruchy je třeba vrátit zařízení výrobcem v původním obalu.
- Přeprava bez původního obalu může vést k poškození zařízení, za které společnost neponese odpovědnost.

- Produkt nevystavujte fyzickým nárazům a zabraňte jeho spadnutí. Udržujte zařízení mimo dosah magnetického rušení.

Napájení

- Zakupte si nabíječku sami. Vstupní napětí musí dle normy IEC62368 splňovat požadavky na omezený zdroj napájení (12 VDC.). Podrobné informace naleznete v technických údajích.
- Zkontrolujte, zda je zástrčka řádně zapojena do napájecí zásuvky.
- Síťová zásuvka musí být namontována v blízkosti zařízení a musí být snadno přístupná.
- K jednomu napájecímu adaptéru **NEPŘIPOJUJTE** více zařízení, abyste zabránili přehřátí nebo nebezpečí požáru v důsledku přetížení.
- Po vypnutí jističe se **NEDOTÝKEJTE** obnažených kovových kontaktů vstupů. Stále jsou pod proudem.
- + označuje kladnou svorku zařízení, která se používá se stejnosměrným proudem nebo jej generuje. - označuje zápornou svorku zařízení, která se používá se stejnosměrným proudem nebo jej generuje.
- Při připojení ke zdroji střídavého proudu zajistěte správné zapojení svorek.

Baterie

- Při výměně baterie za nesprávný typ hrozí nebezpečí výbuchu. Použité baterie zlikvidujte podle pokynů.
- Vestavěnou baterii nelze rozebírat. Je-li třeba ji opravit, obraťte se na výrobce.
- Při dlouhodobém skladování baterii každého půl roku plně nabijte, abyste zajistili zachování její kvality. V opačném případě může dojít k jejímu poškození.
- Toto zařízení není vhodné pro použití v místech, na kterých se mohou vyskytovat děti.
- Vyměníte-li baterii za nesprávný typ, může dojít k poškození bezpečnostního prvku (například v případě některých typů lithiových baterií).
- Nevhazujte do ohně, nevkládejte do horké trouby, mechanicky ji nedrťte ani neřezejte. Mohlo by dojít k výbuchu.
- Baterii v prostředí s extrémně vysokou teplotou, protože by mohlo dojít k výbuchu nebo úniku hořlavé kapaliny nebo plynu.
- Baterii extrémně nízkému tlaku vzduchu, protože by mohlo dojít k výbuchu nebo úniku hořlavé kapaliny nebo plynu.

Montáž

- Namontujte zařízení podle pokynů v tomto návodu.
- Zařízení je třeba v souladu s montážními pokyny bezpečně připevnit ke stropu nebo na zeď, aby nedošlo ke zranění.
- Zařízení nikdy neumísťujte na nestabilní místo. Zařízení může spadnout a způsobit vážné zranění nebo smrt.


- Toto zařízení je určeno k používání pouze s odpovídajícími držáky. Při použití jiného vybavení (vozíků, stojanů nebo nosičů) může být instalace nestabilní a může dojít ke zranění.
- Dodatečná síla by měla být rovna trojnásobku hmotnosti zařízení, avšak nejméně 50 N. Zařízení a související montážní prostředky musejí zůstat během montáže zabezpečeny.
- Po montáži se zařízení včetně přidružené montážní desky nesmí poškodit.

Zabezpečení systému

- Berete na vědomí, že internet svou podstatou představuje skrytá bezpečnostní rizika a naše společnost proto nepřebírá žádnou odpovědnost za nestandardní provozní chování, únik osobních údajů nebo jiné škody vyplývající z kybernetického či hackerského útoku; naše společnost však v případě potřeby poskytne včasnou technickou podporu.
- Zajistěte ochranu osobních údajů a zabezpečení dat, protože se zařízení během připojení k internetu může potýkat s problémy se zabezpečením sítě. Obráťte se na nás, pokud se vyskytnou problémy se zabezpečením sítě nebezpečné pro zařízení.
- Mějte na paměti, že jste odpovědní za konfiguraci všech hesel a dalších nastavení zabezpečení zařízení a uchovejte uživatelské jméno a heslo.

Údržba

- V případě, že výrobek nefunguje správně, obraťte se na prodejce nebo na nejbližší servisní středisko. Nepřebíráme žádnou odpovědnost za problémy způsobené neoprávněnou opravou nebo údržbou.
 - Některé z komponent zařízení (např. elektrolytický kondenzátor) je nutné pravidelně vyměňovat. Průměrná doba životnosti se liší, doporučujeme proto pravidelné kontroly. Podrobnosti vám poskytne prodejce.
 - V případě potřeby zařízení jemně otřete čistým hadříkem navlhčeným malým množstvím etanolu.
 - V případě použití zařízení způsobem jiným než určeným výrobcem může dojít ke zrušení platnosti záruky.
 - Pojistku vyměňte pouze za pojistku stejného typu a se stejným jmenovitým proudem, abyste omezili nebezpečí požáru.
 - Sériový port zařízení se používá pouze k ladění.
 - Při provádění servisu musí být zdroj napájení odpojen.
- ### **Provozní prostředí**
- Zajistěte, aby provozní prostředí vyhovovalo požadavkům zařízení. Provozní teplota musí být -20 °C až 50 °C (-4 °F až 122 °F), a provozní vlhkost musí být max. 95 % bez kondenzace.
 - **NEVYSTAVUJTE** zařízení silnému elektromagnetickému záření ani prašnému

- prostředí.
- NEMIRTE objektivem do slunce ani do jiného zdroje jasného světla.
 - Zařízení nesmí být vystaveno kapající nebo stříkající vodě a nesmí se na něj pokládat předměty s tekutinami, jako jsou vázy.
 - Na zařízení se nesmí pokládat zdroje otevřeného ohně jako například hořící svíčky.
 - Při manipulaci s díly označenými symbolem  si můžete popálit prsty. Než budete s díly manipulovat, vyčkejte po vypnutí zařízení půl hodiny.

Stav nouze

- Pokud ze zařízení vychází kouř, zápach nebo hluk, zařízení okamžitě vypněte, odpojte napájecí kabel a obraťte se na servisní středisko.

Adresa výrobce

Místnost 313, jednotka B, budova 2, ulice Danfeng 399, podobvod Xixing, obvod Binjiang, Hangzhou, Zhejiang 310052, Čína
Hangzhou Microimage Software Co., Ltd.

POZNÁMKA O DODRŽOVÁNÍ PŘEDPISŮ: Na výrobky termální řady se mohou vztahovat vývozní opatření v různých zemích nebo regionech včetně, mimo jiné, Spojených států, Evropské unie, Spojeného království a dalších členských států Wassenaarského ujednání. Máte-li v úmyslu přenášet, exportovat nebo opětovně exportovat výrobky termální řady mezi různými zeměmi, obraťte se na profesionálního právníka, odborníka v oblasti dodržování předpisů nebo místní úřady, aby vám sdělili všechny nezbytné licenční požadavky pro export.

Slovenčina



Vzhľad produktu je len orientačný a môže sa líšiť od skutočného produktu.

Rozhranie a tlačidlo – strana A

Číslo	Funkcia	Číslo	Funkcia
1	Mikrofón	6	Sieťový kábel
2	Tepelný objektív	7	Napájací kábel
3	Slot karty MicroSD	8	Rozhranie RS-485 a alarmov
4	Tlačidlo obnovenia nastavení	9	Reproduktor
5	Sériový port		

Poznámka:

Sériový port na zariadení slúži len na servisné účely.

**Toto zariadenie dokáže rozpoznať pády do detekčnej vzdialenosti 4 m. Toto zariadenie ako pomocné zariadenie nemôže zabezpečiť, že všetky pády sa dajú zistiť v jeho dosahu. Za zvláštnych okolností môže byť ovplyvnená detekcia pádu. Pre zabezpečenie presnosti detekcie sa toto zariadenie odporúča namontovať na vnútornú stenu s montážnou výškou 2,7 m. Uistite sa, že sa nenachádzajú žiadne zrkadlá, kovové výrobky a iné prekážky.*

Návod na používanie

Podrobné informácie nájdete v návode na používanie daného zariadenia.



© 2022 Hangzhou Microimage Software Co., Ltd. Všetky práva vyhradené.


Informácie o tomto návode

Táto príručka obsahuje pokyny na používanie a správu produktu. Obrázky, grafy, nákresy a všetky ďalšie informácie, ktoré sú v ňom uvedené, slúžia len na opis a vysvetlenie. Informácie uvedené v návode sa môžu zmeniť bez predchádzajúceho upozornenia v dôsledku aktualizácií firmvéru alebo iných príčin.

Najnovšiu verziu tejto príručky nájdete na webovej lokalite HIKMICRO (www.hikmicrotech.com/).

Používajte tento návod v súlade s pokynmi a radami odborníkov, ktorí sú vyškolení na obsluhu produktu.

Ochranné známky

 a iné ochranné známky a logá spoločnosti HIKMICRO sú vlastníctvom spoločnosti HIKMICRO v rôznych jurisdikciách. Iné ochranné známky a logá sú vlastníctvom príslušných majiteľov.

PREHLÁSENIE

V MAXIMÁLNO M ŽIADNOM MOŽNOM ROZSAHU, KTORÝ POVOĽUJÚ PRÍSLUŠNÉ PRÁVNE PREDPISY, SA TÁTO PRÍRUČKA A OPÍSANÝ PRODUKT SPOLU S JEHO HARDVÉROM, SOFTVÉROM A FIRMVÉROM, DODÁVAJÚ V STAVE „AKO SÚ“ A „SO VŠETKÝMI PORUCHAMI A CHYBAMI“. SPOLOČNOSŤ HIKMICRO NEPOSKYTUJE ŽIADNE VÝSLOVNÉ ANI PREDPOKLADANÉ ZÁRUKY, OKREM INÉHO O PREDAJNOSTI, USPOKOJIVEJ KVALITE ALEBO VHODNOSTI NA KONKRÉTNY ÚČEL. POUŽÍVANIE PRODUKTU JE NA VAŠE VLASTNÉ RIZIKO. SPOLOČNOSŤ HIKMICRO V ŽIADNOM PRÍPADE NENESIE ZODPOVEDNOSŤ ZA ŽIADNE OSOBNÉ, NÁSLEDNÉ, NÁHODNÉ ALEBO NEPRIAME ŠKODY, OKREM INÉHO VRÁTANE ŠKÔD Z UŠLÉHO PODNIKATEĽSKÉHO ZISKU, PRERUŠENIA PODNIKANIA, STRATY ÚDAJOV, POŠKODENIA SYSTÉMOV ALEBO STRATY DOKUMENTÁCIE, ČI UŽ NA ZÁKLADE PORUŠENIA ZMLUVY, PREČINU (VRÁTANE NEDBALOSTI), ZODPOVEDNOSTI ZA PRODUKT ALEBO INAK V SÚVISLOSTI S POUŽÍVANÍM PRODUKTU, A TO ANI V PRÍPADE, AK BOLA SPOLOČNOSŤ HIKMICRO UPOZORNENÁ NA MOŽNOSŤ TAKÝCHTO ŠKÔD.

UZNÁVATE, ŽE Z POVAHY INTERNETU VYPLÝVAJÚ INHERENTNÉ BEZPEČNOSTNÉ RIZIKÁ

A SPOLOČNOSŤ HIKMICRO NENESIE ŽIADNU ZODPOVEDNOSŤ ZA NEŠTANDARDNÚ PREVÁDZKU, ÚNIK OSOBNÝCH ÚDAJOV ANI ZA INÉ ŠKODY V DÔSLEDKU KYBERNETICKÉHO ÚTOKU, HAKERSKÉHO ÚTOKU, VÍRUSOVEJ INFEKČIE ALEBO INÝCH BEZPEČNOSTNÝCH RIZÍK SIETE INTERNET; V PRÍPADE POTREBY VŠAK SPOLOČNOSŤ HIKMICRO POSKYTNE VČASNÚ TECHNICKÚ PODPORU.


SÚHLASÍTE S POUŽÍVANÍM TOHTO PRODUKTU V SÚLADE SO VŠETKÝMI PRÍSLUŠNÝMI ZÁKONMI A NESIETE VÝHRADNÚ ZODPOVEDNOSŤ ZA ZABEZPEČENIE, ABY VAŠE POUŽÍVANIE BOLO V SÚLADE S PRÍSLUŠNÝMI ZÁKONMI. STE OBZVLÁŠŤ ZODPOVEDNÍ ZA POUŽÍVANIE TOHTO PRODUKTU SPÔSOBOM, KTORÝ NEPORUŠUJE PRÁVA TRETÍCH STRÁN, OKREM INÉHO PRÁVA PUBLICITY, PRÁVA DUŠEVNÉHO VLASTNÍCTVA, PRÁVA NA OCHRANU ÚDAJOV A INÉ PRÁVA NA OCHRANU SÚKROMIA. TENTO PRODUKT NEŠMIETE POUŽÍVAŤ NA ŽIADNE ZAKÁZANÉ ÚČELY VRÁTANE VÝVOJA ALEBO VÝROBY ZBRANÍ HROMADNÉHO NIČENIA, VÝVOJA ALEBO VÝROBY CHEMICKÝCH ALEBO BIOLOGICKÝCH ZBRANÍ, AKÝCHKOLÍVEK AKTIVÍT V SÚVISLOSTI S AKOUKOLÍVEK JADROVOU VÝBUŠNINOU ALEBO NEBEZPEČNÝM CYKLOM JADROVÉHO PALIVA, ALEBO NA PODPORU ZNEUŽÍVANIA ĽUDSKÝCH PRÁV.

V PRÍPADE AKÉHOKOLÍVEK NESÚLADE MEDZI TOUTO PRÍRUČKOU A PRÍSLUŠNÝMI PRÁVNÝMI PREDPISMI MAJÚ PREDNOSŤ PRÍSLUŠNÉ PRÁVNE PREDPISY.

Regulačné informácie

Tieto ustanovenia sa vzťahujú len na výrobky označené zodpovedajúcou značkou alebo informáciou.

Vyhlásenie o súlade s predpismi EÚ

 Tento produkt a dodané príslušenstvo, ak je to relevantné, sú takisto označené značkou „CE“, takže sú v súlade s príslušnými harmonizovanými európskymi normami uvedenými v smernici 2014/30/EÚ (EMCD), smernici 2014/35/EÚ (LVD), smernici 2011/65/EÚ (RoHS).



Smernica 2012/19/EÚ (smernica o odpade z elektrických a elektronických zariadení): Produkty označené týmto symbolom sa v rámci Európskej únie nesmú

likvidovať spolu s netriedeným komunálnym odpadom. Po zakúpení ekvivalentného nového zariadenia zrecyklujte produkt tým, že ho odovzdáte miestnemu dodávateľovi alebo ho zlikvidujete na určených zberných miestach. Ďalšie informácie nájdete na lokalite: www.recyclethis.info



Smernica 2006/66/EC a príslušné doplnenia 2013/56/EÚ (smernica o batériách): Tento produkt obsahuje batériu, ktorá sa v rámci Európskej únie nesmie likvidovať spolu

s netriedeným komunálnym odpadom. Konkrétne informácie o batérii nájdete v dokumentácii produktu. Batéria je označená týmto symbolom, ktorý môže obsahovať písmená označujúce obsah kadmia (Cd), olova (Pb) alebo ortuti (Hg). Zrecyklujte batériu tým, že ju odovzdáte dodávateľovi alebo ju zlikvidujete na určenom zbernom mieste. Ďalšie informácie nájdete na lokalite:

www.recyclethis.info

Používajte napájací adaptér dodaný kvalifikovaným výrobcom. Podrobné požiadavky na napájanie nájdete v špecifikácii výrobku.

Používajte batériu dodanú kvalifikovaným výrobcom. Podrobné požiadavky na batériu nájdete v špecifikácii výrobku.

Bezpečnostné pokyny

Tieto pokyny slúžia na zabezpečenie správneho používania produktu používateľom s cieľom predchádzať vzniku nebezpečenstva alebo majetkovým stratám.

Právne predpisy a nariadenia

Zariadenie by sa malo používať v súlade s miestnymi zákonmi, predpismi o elektrickej bezpečnosti a protipožiarňami predpismi.

Preprava

- Pri preprave ponechajte zariadenie v pôvodnom alebo podobnom balení.
- Po rozbalení si všetky obaly odložte na budúce použitie. V prípade výskytu poruchy bude potrebné, aby ste zariadenie vrátili do výrobcovi v pôvodnom obale.
- Pri preprave bez pôvodného obalu môže dôjsť k poškodeniu zariadenia a spoločnosť za to nebude niesť žiadnu zodpovednosť.
- Chráňte zariadenie pred pádom alebo nárazom. Zariadenie chráňte pred magnetickým rušením.

Zdroj napájania

- Nabíjačku si zakúpte sami. Vstupné napätie musí spĺňať podmienky veľmi nízkeho napätia (12 V DC) podľa normy IEC62368. Podrobné informácie nájdete v technických špecifikáciách.

- Skontrolujte, či je zástrčka správne pripojená k napájacej zásuvke.
- Zásuvka sa musí nainštalovať v blízkosti zariadenia a musí byť ľahko dostupná.
- K jednému napájacímu adaptéru NEPRIPÁJAJTE viacero zariadení, aby nedošlo k prehriatiu alebo riziku požiaru v dôsledku preťaženia.
- Po vypnutí ističa sa NEDOTÝKAJTE neizolovaných kovových kontaktov vstupov. Stále je prítomný elektrický prúd.
- + označuje koncovky s kladnou polaritou v prípade zariadenia, s ktorým sa používa alebo ktoré vytvára jednosmerný prúd. – označuje koncovky so zápornou polaritou v prípade zariadenia, s ktorým sa používa alebo ktoré vytvára jednosmerný prúd.
- Zaistite správne zapojenie koncoviek pri pripojení k privodu striedavého sieťového napájania.

Batéria

- Riziko výbuchu v prípade výmeny batérie za nesprávny typ. Použité batérie zlikvidujte podľa príslušných pokynov.
- Zabudovanú batériu nemožno rozoberať. V prípade potreby opravy sa obráťte na výrobcu.
- Pri dlhodobom uskladnení batériu každý polrok úplne nabite, čím zaistíte jej kvalitu. V opačnom prípade môže dôjsť k poškodeniu.
- Toto zariadenie nie je vhodné na používanie na miestach, na ktorých sa môžu vyskytovať deti.
- Pri nevhodnej výmene batérie za nesprávny typ sa môže deaktivovať bezpečnostný prvok (napríklad pri niektorých typoch lítiových batérií).
- Nevkladajte do ohňa alebo horúcej rúry ani ju mechanicky nedrvtite ani nerezte, pretože by to mohlo spôsobiť výbuch.
- Batériu nenechávajte v prostredí s mimoriadne vysokou teplotou, čo môže viesť k výbuchu alebo úniku horľavých kvapalín alebo plynov.
- Batériu nevystavujte mimoriadne nízkemu tlaku vzduchu, čo môže viesť k výbuchu alebo úniku horľavých kvapalín alebo plynov.

Inštalácia

- Zariadenie nainštalujte podľa pokynov v tejto príručke.
- Aby sa predišlo zraneniu, musí byť zariadenie bezpečne pripevnené k stropu/stene podľa inštalčných pokynov.
- Zariadenie nikdy neumiestňujte na nestabilné miesto. Zariadenie môže spadnúť, v dôsledku čoho môže dôjsť k vážnemu zraneniu alebo usmrteniu.
- Toto zariadenie je určené na použitie iba s príslušnými držiakmi. V prípade použitia s inými prvkami (vozíky, stojany alebo nosiče) môže dôjsť k nestabilite a možnému zraneniu.
- Dodatočná sila pôsobiaca na zariadenie má dosahovať trojnásobok hmotnosti zariadenia,

no nesmie byť menšia ako 50 N. Zariadenie a príslušné montážne prvky musia byť namontované pevne.

- Po montáži nesmie dôjsť k poškodeniu zariadenia ani príslušnej montážnej dosky.


Zabezpečenie systému

- Berte na vedomie, že internetové pripojenie ako také predstavuje bezpečnostné riziká a naša spoločnosť nepreberá zodpovednosť za nenormálnu činnosť, únik osobných údajov alebo iné škody spôsobené kybernetickým útokom, hackerským útokom, avšak v prípade potreby poskytne naša spoločnosť včasnú technickú podporu.
- Po pripojení zariadenia na internet chráňte osobné údaje, pretože môže dôjsť k ohrozeniu zariadenia v dôsledku problémov so zabezpečením siete. Ak by zariadenie mohlo byť v sieťovom prostredí ohrozené, obráťte sa na výrobcu.
- Upozorňujeme, že ste zodpovední za konfiguráciu všetkých hesiel a ďalších bezpečnostných nastavení zariadenia a za uchovanie používateľského mena a hesla.

Údržba

- Ak produkt nepracuje správne, obráťte sa na predajcu alebo na najbližšie servisné stredisko. Nepreberáme žiadnu zodpovednosť za problémy spôsobené neoprávnenou opravou alebo údržbou.
- Niekoľko komponentov zariadenia (napr. elektrolytický kondenzátor) si vyžaduje pravidelnú výmenu. Priemerná doba životnosti sa líši, preto odporúčame pravidelnú kontrolu. So žiadosťou o ďalšie podrobnosti sa obráťte na predajcu.
- V prípade potreby zariadenie jemne utrite čistou handričkou a malým množstvom etanolu.
- Ak sa zariadenie používa spôsobom, ktorý výrobca neuvádza, môže dôjsť k zníženiu ochrany poskytovanej zariadením.
- S cieľom znížiť riziko požiaru vymeňte poistku len sa poistku rovnakého typu a parametrov.
- Sériový port na zariadení slúži len na servisné účely.
- Počas servisu odpojte zdroj napájania.

Prevádzkové prostredie

- Zabezpečte, aby prevádzkové prostredie spĺňalo požiadavky zariadenia. Prevádzková teplota musí byť -20 °C až 50 °C (-4 °F až 122 °F) a prevádzková vlhkosť nesmie byť vyššia ako 95 % bez kondenzácie.
- Zariadenie NEVYSTAVUJTE silnému elektromagnetickému žiareniu ani prašnému prostrediu.
- Šošovkou NEMIERYE na slnko ani na žiadny iný silný zdroj svetla.
- Zariadenie nesmie byť vystavené kvapkajúcim ani striekajúcim kvapalinám a na zariadenie sa nesmú umiestňovať žiadne predmety naplnené kvapalinou, napríklad vázy.
- Na zariadenie sa nesmú umiestňovať žiadne zdroje otvoreného ohňa, napríklad zapálené sviečky.
- Nebezpečenstvo popálenia prstov pri manipulácii s časťami so symbolom . Pred manipuláciou s jednotlivými časťami zariadenie vypnite a počkajte pol hodiny.

Núdzový režim

- Ak zo zariadenia vychádza dym, zápach alebo hluk, ihneď vypnite napájanie, odpojte napájací kábel a obráťte sa na servisné stredisko.

Adresa výrobcu

Miestnosť 313, Krídlo B, Budova 2, Ulica Danfeng 399, Obvod Xixing, Okres Binjiang, Hangzhou, Zhejiang 310052, Čína
Hangzhou Microimage Software Co., Ltd.

POZNÁMKA O SÚLADE S PREDPISMI: Produkty z radu teplocitlivých prístrojov môžu podliehať exportnej regulácii v rôznych krajinách alebo regiónoch vrátane napríklad Spojených štátov amerických, Európskej únie, Spojeného kráľovstva prípadne aj krajín Wassenaarskeho usporiadania. Ak máte v úmysle prenášať, exportovať alebo re-exportovať produkty z radu teplocitlivých prístrojov cez hranice medzi rôznymi krajinami, poraďte sa so svojim odborným expertom na legislatívu alebo súlad s predpismi alebo miestnymi úradmi verejnej správy, či existuje povinnosť mať exportné povolenie.

Polski



Rysunki przedstawiające wygląd produktu mają wyłącznie charakter orientacyjny i mogą różnić się od rzeczywistego wyglądu urządzenia.

Interfejs i przyciski – str. A

Nr	Funkcja	Nr	Funkcja
1	Mikrofon	6	Przewód sieciowy
2	Obiektyw termowizyjny	7	Przewód zasilający

Nr	Funkcja	Nr	Funkcja
3	Gniazdo karty microSD	8	Interfejs alarmu i RS485
4	Przycisk resetowania	9	Głośnik
5	Port szeregowy		

Uwaga:

Złącze szeregowo urządzenia jest używane wyłącznie do debugowania.

**Niniejsze urządzenie może wykrywać upadki, a jego odległość wykrywania wynosi 4 metry. Jako urządzenie wspomagające niniejsze urządzenie nie może zapewnić, że wszystkie upadki zostaną wykryte w jego zasięgu. Wykrycie upadku może być zakłócone w przypadku wystąpienia szczególnych okoliczności. W celu zapewnienia dokładności zaleca się zamontowanie niniejszego urządzenia na wewnętrznej ścianie na wysokości 2,7 metra. Proszę upewnić się, że bezpośrednio przed urządzeniem nie znajdują się lustra, metalowe objekty oraz inne przeszkody.*

Instrukcja obsługi

Aby uzyskać więcej informacji, skorzystaj z podręcznika użytkownika danego urządzenia.




© 2022 Hangzhou Microimage Software Co., Ltd. Wszelkie prawa zastrzeżone.

Opis podręcznika

Podręcznik zawiera instrukcje dotyczące korzystania z produktu i obchodzenia się z nim. Zdjęcia, rysunki, wykresy i pozostałe informacje zamieszczono w podręczniku wyłącznie dla celów informacyjnych i opisowych. Informacje zamieszczone w podręczniku mogą ulec zmianie bez powiadomienia w związku z aktualizacjami oprogramowania układowego lub w innych okolicznościach. Najnowsza wersja tego podręcznika jest dostępna w witrynie internetowej firmy HIKMICRO (www.hikmicrotech.com/).

Oprócz tego podręcznika należy korzystać z porad specjalistów z działu pomocy technicznej związanej z produktem.

Znaki towarowe

 HIKMICRO i inne znaki towarowe oraz logo HIKMICRO są własnością firmy HIKMICRO w różnych jurysdykcjach.

Inne znaki towarowe i logo użyte w podręczniku należą do odpowiednich właścicieli.

ZASTRZEŻENIA PRAWNE

W PEŁNYM ZAKRESIE DOZWOLONYM PRZEZ OBOWIĄZUJĄCE PRAWO TEN PODRĘCZNIK, OPISANY PRODUKT I ZWIĄZANE Z NIM WYPOSAŻENIE ORAZ OPROGRAMOWANIE APLIKACYJNE I UKŁADOWE SĄ UDOSTĘPNIANE BEZ GWARANCJI. FIRMA HIKMICRO NIE UDZIELA ŻADNYCH WYRAŹNYCH ANI DOROZUMIANYCH GWARANCJI, TAKICH JAK GWARANCJE DOTYCZĄCE PRZYDATNOŚCI HANDLOWEJ, JAKOŚCI LUB PRZYDATNOŚCI DO OKREŚLONEGO CELU. UŻYTKOWNIK KORZYSTA Z PRODUKTU NA WŁASNE RYZYKO. NIEZALEŻNIE OD OKOLICZNOŚCI FIRMA HIKMICRO NIE PONOSI ODPOWIEDZIALNOŚCI ZA STRATY

SPECJALNE, WYNIKOWE, PRZYPADKOWE LUB POŚREDNIE, TAKIE JAK STRATA OCZEKIWANYCH ZYSKÓW Z DZIAŁALNOŚCI BIZNESOWEJ, PRZERWY W DZIAŁALNOŚCI BIZNESOWEJ, USZKODZENIE SYSTEMÓW ALBO STRATA DANYCH LUB DOKUMENTACJI, WYNIKAJĄCE Z NARUSZENIA UMOWY, PRZEWINIENIA (ŁĄCZNIE Z ZANIEDBANIEM), ODPOWIEDZIALNOŚCI ZA PRODUKT LUB INNYCH OKOLICZNOŚCI, ZWIĄZANE Z UŻYCIEM TEGO PRODUKTU, NAWET JEŻELI FIRMA HIKMICRO ZOSTAŁA POINFORMOWANA O MOŻLIWOŚCI WYSTĄPIENIA TAKICH SZKÓD LUB STRAT. UŻYTKOWNIK PRZYJMUJE DO WIADOMOŚCI, ŻE KORZYSTANIE Z INTERNETU JEST ZWIĄZANE Z ZAGROŻENIAMI DLA BEZPIECZEŃSTWA, A FIRMA HIKMICRO NIE PONOSI ODPOWIEDZIALNOŚCI ZA NIEPRAWIDŁOWE FUNKCJONOWANIE, WYCIEK POUFNYCH INFORMACJI LUB INNE SZKODY WYNIKAJĄCE Z ATAKU CYBERNETYCZNEGO, ATAKU HAKERA, DZIAŁANIA WIRUSÓW LUB INNYCH ZAGROŻEŃ DLA BEZPIECZEŃSTWA W INTERNECIE. FIRMA HIKMICRO ZAPEWNI JEDNAK TERMINOWĄ POMOC TECHNICZNĄ, JEŻELI BĘDZIE TO WYMAGANE.

UŻYTKOWNIK ZOBOWIĄDUJE SIĘ DO KORZYSTANIA Z PRODUKTU ZGODNIE Z PRZEPISAMI I PRZYJMUJE DO WIADOMOŚCI, ŻE JEST ZOBOWIĄZANY DO ZAPEWNIENIA ZGODNOŚCI UŻYCIA PRODUKTU Z PRZEPISAMI. W SZCZEGÓLNOŚCI UŻYTKOWNIK JEST ZOBOWIĄZANY DO KORZYSTANIA Z PRODUKTU W SPOSÓB, KTÓRY NIE NARUSZA PRAW STRON TRZECICH, DOTYCZĄCYCH NA PRZYKŁAD WIZERUNKU KOMERCYJNEGO, WŁASNOŚCI INTELEKTUALNEJ LUB OCHRONY DANYCH I PRYWATNOŚCI. UŻYTKOWNIK NIE BĘDZIE UŻYWAĆ PRODUKTU DO CELÓW ZABRONIONYCH, TAKICH JAK OPRACOWANIE LUB PRODUKCJA BRONI MASOWEGO RAŻENIA ALBO BRONI CHEMICZNEJ LUB BIOLOGICZNEJ ORAZ DZIAŁANIA ZWIĄZANE Z WYBUCHOWYMI MATERIAŁAMI NUKLEARNYMI, NIEBEZPIECZNYM CYKLEM PALIWOWYM LUB ŁAMANIEM PRAW CZŁOWIEKA. W PRZYPADKU NIEZGODNOŚCI NINIEJSZEGO PODRĘCZNIKA Z OBOWIĄZUJĄCYM PRAWEM, WYŻSZY PRIORYTET BĘDZIE MIAŁO OBOWIĄZUJĄCE PRAWO.

Informacje dotyczące przepisów

Niniejsze klauzule mają zastosowanie wyłącznie do produktów opatrzonych odpowiednim znakiem lub informacją.

Deklaracja zgodności z dyrektywami Unii Europejskiej



Produkt i ewentualnie dostarczone razem z nim akcesoria oznaczono symbolem „CE” potwierdzającym zgodność z odpowiednimi ujednoliconymi

normami europejskimi, uwzględnionymi w dyrektywie 2014/30/EU dotyczącej kompatybilności elektromagnetycznej (EMCD), dyrektywie niskonapięciowej (LVD) 2014/35/EU oraz dyrektywie 2011/65/EU w sprawie ograniczenia stosowania niektórych niebezpiecznych substancji w sprzęcie elektrycznym (RoHS).



Dyrektywa 2012/19/EU w sprawie zużytego sprzętu elektrycznego i elektronicznego (WEEE): Produktów oznaczonych tym symbolem nie wolno utylizować na obszarze Unii Europejskiej jako niesegregowane odpady komunalne. Aby zapewnić prawidłowy recykling tego produktu, należy zwrócić go do lokalnego dostawcy przy zakupie równoważnego nowego urządzenia lub utylizować go w wyznaczonym punkcie selektywnej zbiórki odpadów. Aby uzyskać więcej informacji, skorzystaj z następującej witryny internetowej: www.recyclethis.info



Dyrektywa 2006/66/EC w sprawie baterii i akumulatorów i zmieniająca ją Dyrektywa 2013/56/EU: Ten produkt zawiera baterię, której nie wolno utylizować na obszarze Unii Europejskiej jako niesegregowane odpady komunalne. Szczegółowe informacje dotyczące baterii zamieszczono w dokumentacji produktu. Bateria jest oznaczona tym symbolem, który może także zawierać litery wskazujące na zawartość kadmu (Cd), ołowiu (Pb) lub rtęci (Hg). Aby zapewnić prawidłowy recykling baterii, należy zwrócić ją do dostawcy lub przekazać do wyznaczonego punktu zbiórki. Aby uzyskać więcej informacji, skorzystaj z następującej witryny internetowej: www.recyclethis.info Należy korzystać z zasilacza dostarczonego przez wykwalifikowanego producenta. Aby uzyskać więcej informacji dotyczących wymaganego zasilania, należy skorzystać ze specyfikacji produktu.

Należy korzystać z baterii dostarczanych przez markowego producenta. Aby uzyskać więcej informacji dotyczących wymaganej baterii, należy skorzystać ze specyfikacji produktu.

Zalecenia dotyczące bezpieczeństwa

Te zalecenia pozwalają prawidłowo korzystać z produktu i zapobiec zagrożeniu użytkowników lub zniszczeniu wyposażenia.

Przepisy i rozporządzenia

Urządzenie powinno być użytkowane zgodnie z lokalnymi przepisami, rozporządzeniami dotyczącymi korzystania z wyposażenia elektrycznego i przepisami przeciwpożarowymi.

Transport

- Podczas transportu urządzenie powinno być umieszczone w oryginalnym lub podobnym opakowaniu.
- Należy zachować opakowanie urządzenia. W

przypadku wystąpienia usterki urządzenia należy zwrócić je do zakładu produkcyjnego w oryginalnym opakowaniu.

- Producent nie ponosi odpowiedzialności za uszkodzenie urządzenia na skutek transportu bez oryginalnego opakowania.
- Należy chronić urządzenie przed upadkiem lub udarami mechanicznymi. Należy chronić urządzenie przed zakłóceniami magnetycznymi.

Zasilanie

- Ładowarkę należy zakupić oddzielnie. Napięcie wejściowe powinno spełniać wymagania dotyczące źródeł zasilania z własnym ograniczeniem (LPS; 12 VDC) zgodnie z normą IEC62368. Szczegółowe informacje zamieszczono w sekcji zawierającej dane techniczne.
- Należy upewnić się, że wtyczka jest prawidłowo podłączona do gniazda sieci elektrycznej.
- Gniazdo sieci elektrycznej powinno być zainstalowane w łatwo dostępnym miejscu w pobliżu urządzenia.
- NIE wolno podłączać wielu urządzeń do jednego zasilacza, ponieważ może to spowodować przegrzanie lub zagrożenie pożarowe na skutek przeciążenia.
- NIE wolno dotykać nieosłoniętych metalowych styków złączy wejściowych po uaktywnieniu wyłącznika automatycznego. W takiej sytuacji elementy urządzenia są wciąż pod napięciem.
- Symbol „+” oznacza dodatnie styki prądu stałego w urządzeniu. Symbol „-” oznacza ujemne styki prądu stałego w urządzeniu.
- Należy upewnić się, że przewody są prawidłowo podłączone do złączy sieci elektrycznej.

Bateria

- Zainstalowanie nieodpowiedniej baterii może spowodować wybuch. Zużyte baterie należy utylizować zgodnie z instrukcjami.
- Wbudowana bateria nie jest przystosowana do demontażu przez użytkownika. Jeżeli konieczne jest wykonanie naprawy, należy skontaktować się z producentem.
- Jeżeli bateria jest przechowywana przez dłuższy czas, należy naładować ją całkowicie co pół roku, aby zapewnić jej prawidłowy stan techniczny. Ignorowanie tego zalecenia może spowodować uszkodzenie.
- Urządzenie nie powinno być używane w lokalizacjach, w których mogą przebywać dzieci.
- Zainstalowanie nieodpowiedniej baterii może spowodować zagrożenie (dotyczy to na przykład niektórych baterii litowych).
- Wrzucenie baterii do ognia lub rozgrzanego pieca albo zgniecenie lub przecięcie baterii może spowodować wybuch.
- Wysoka temperatura w otoczeniu może spowodować wybuch baterii albo wyciek

palnej cieczy lub gazu.

- Ekstremalnie niskie ciśnienie powietrza w otoczeniu może spowodować wybuch baterii albo wyciek palnej cieczy lub gazu.

Instalacja

- Urządzenie należy zainstalować zgodnie z instrukcjami podanymi w tym podręczniku.
- Aby zapobiec zranieniu, należy przymocować urządzenie do sufitu/ściany zgodnie z instrukcjami instalacyjnymi.
- Nie wolno instalować urządzenia na niestabilnym podłożu. Urządzenie może upaść i spowodować poważne zranienie lub zgon.
- To urządzenie powinno być używane wyłącznie z odpowiednimi uchwytami. Użycie innych uchwytów (wózków lub statywów) może spowodować zranienie na skutek niestabilności urządzenia.
- Należy uwzględnić obciążenie trzykrotnie większe niż ciężar urządzenia, ale nie mniejsze niż 50 N. Urządzenie i elementy montażowe powinny być zabezpieczone podczas instalacji.
- Podczas instalacji należy chronić wyposażenie, takie jak płyta montażowa, przed uszkodzeniem.

Zabezpieczenia systemu

- Użytkownik przyjmuje do wiadomości, że korzystanie z Internetu jest związane z zagrożeniami dla bezpieczeństwa, a nasza firma nie ponosi odpowiedzialności za nieprawidłowe funkcjonowanie, nieautoryzowane ujawnienie poufnych informacji lub inne szkody wynikające z ataku cybernetycznego lub ataku hakera. Nasza firma zapewni jednak terminową pomoc techniczną, jeżeli będzie to wymagane.
- Należy chronić dane osobowe po połączeniu urządzenia z Internetem. Jeżeli występują zagrożenia urządzenia w sieci, należy skontaktować się z producentem.
- Użytkownik jest zobowiązany do skonfigurowania wszystkich haseł i ustawień zabezpieczeń urządzenia oraz ochrony własnej nazwy użytkownika i hasła.

Konserwacja


- Jeżeli produkt nie działa prawidłowo, skontaktuj się z dystrybutorem lub najbliższym centrum serwisowym. Producent nie ponosi odpowiedzialności za problemy spowodowane przez nieautoryzowane prace naprawcze lub konserwacyjne.
- Konieczna jest regularna wymiana kilku podzespołów urządzenia (np. kondensatora elektrolitycznego). Przeciężny okres użytkowania może być różny, dlatego zalecane jest regularne sprawdzanie stanu technicznego podzespołów. Aby uzyskać więcej informacji, należy skontaktować się z dystrybutorem.
- Należy przetrzeć urządzenie ostrożnie czystą ściereczką zwilżoną niewielką ilością etanolu, jeżeli jest to konieczne.
- Użycie urządzenia niezgodnie z zaleceniami

może spowodować anulowanie gwarancji producenta.

- Aby ograniczyć zagrożenie pożarowe, należy używać bezpieczników tego samego typu i o takich samych parametrach znamionowych.
- Złącze szeregowo urządzenia jest używane wyłącznie do debugowania.
- Podczas wykonania prac serwisowych zasilanie musi być odłączone.

Warunki otoczenia

- Należy upewnić się, że warunki otoczenia spełniają wymagania określone przez producenta urządzenia. Podczas użytkowania urządzenia temperatura otoczenia powinna wynosić od -20°C do 50°C (-4 °F do 122 °F), a wilgotność nie powinna przekraczać 95% (bez kondensacji).
- Należy chronić urządzenie przed silnym promieniowaniem elektromagnetycznym oraz kurzem i pyłem.
- NIE wolno kierować obiektywu w stronę słońca ani innego źródła intensywnego światła.
- Nie wolno dopuścić do rozlania cieczy na urządzeniu. Nie wolno ustawiać na urządzeniu naczyń napełnionych cieczą, takich jak wazon.
- Nie wolno umieszczać na urządzeniu źródeł nieostoiętego płomienia, takich jak zapalone świece.
- Dotknięcie gorących podzespołów,

oznaczonych symbolem , może spowodować oparzenie palców. Po wyłączeniu zasilania należy odczekać pół godziny przed dotknięciem podzespołów urządzenia.

Poważne awarie

- Jeżeli urządzenie wydziela dym lub intensywny zapach albo emituje hałas, należy niezwłocznie wyłączyć zasilanie i odłączyć przewód zasilający, a następnie skontaktować się z centrum serwisowym.

Adres producenta

Lokal 313, Jednostka B, Budynek 2, Ulica 399 Danfeng, Region dystryktu Xixing, Dystrykt Binjiang, Hangzhou, Zhejiang 310052, Chiny Hangzhou Microimage Software Co., Ltd.
UWAGA DOTYCZĄCA ZGODNOŚCI Z PRZEPISAMI: Produkty termowizyjne mogą podlegać kontroli eksportu w różnych krajach lub regionach, takich jak Stany Zjednoczone, Wielka Brytania lub kraje członkowskie Unii Europejskiej, które sygnowały porozumienie Wassenaar. Jeżeli planowane jest przesyłanie, eksportowanie lub reeksportowanie produktów termowizyjnych przez granice państw, należy skonsultować się z ekspertem w dziedzinie prawa lub zgodności z przepisami albo lokalnymi urzędami administracji państwowej, aby uzyskać informacje dotyczące wymaganej licencji eksportowej.

Magyar



A termék megjelenése csak tájékoztató jellegű, és eltérhet a tényleges terméktől.

Csatlakozó és gomb – . oldal A

Sz.	Funkció	Sz.	Funkció
1	Mikrofon	6	Hálózati kábel
2	Hőérzékelő lencse	7	Tápkábel
3	MicroSD-kártya nyílása	8	RS-485 és riasztáscsatlakozó
4	Visszaállítás gomb	9	Hangszóró
5	Soros port		

Megjegyzés:

A készülék soros portja kizárólag hibakeresésre szolgál.

**Ez az eszköz 4 m-es érzékelési távolságon belül érzékeli az eséseket. Segítő eszközként ez az eszköz nem tudja garantálni, hogy minden esés érzékelhető legyen a hatótávolságán belül. Az esésérzékelés speciális körülmények között befolyásolható. Az érzékelési pontosság biztosítása*

érdekében ezt az eszközt belső falra ajánlott felszerelni 2,7 m-es szerelési magassággal. Ügyeljen arra, hogy közvetlenül az eszköz előtt ne legyenek tükrök, fémtermékek és egyéb akadályok.

Felhasználói kézikönyv

A részletes információk az eszköz használati útmutatójában található.




© 2022 Hangzhou Microimage Software Co., Ltd. Minden jog fenntartva.

Az útmutatóval kapcsolatos tudnivalók

Az útmutató a termék használatára és kezelésére vonatkozó utasításokat tartalmaz. Az itt szereplő képek, diagramok, ábrák és minden további információ csupán leírásként és magyarázatként szolgál. Az Útmutatóban szereplő információk a firmware-frissítések és egyéb okok miatt előzetes értesítés nélkül változhatnak. A kézikönyv legújabb verzióját a HIKMICRO webhelyén találja (www.hikmicrotech.com/).

Az Útmutatót a termékkel kapcsolatos támogatáshoz megfelelő képesítéssel rendelkező szakemberek támogatásával és útmutatásával együtt használja.

Védjegyek

 HIKMICRO és az egyéb HIKMICRO védjegyek, valamint logók a HIKMICRO tulajdonát képezik különféle joghatóságokban.

Az említett egyéb védjegyek és logók a megfelelő tulajdonosok tulajdonát képezik.

FELELŐSÉGGKIZÁRÁS

EZT A KÉZIKÖNYVET, VALAMINT A BENNE SZEREPLŐ TERMÉKET ANNAK HARDVER-, SZOFTVER-ÖSSZETEVŐIVEL ÉS FIRMWARE-ÉVEL EGYÜTT „EREDETI FORMÁBAN” BIZTOSÍTJUK, „BELEÉRTVE AZOK ÖSSZES ESETLEGES HIBÁJÁT”. A HIKMICRO NEM VÁLLAL SEM KIFEJEZETT, SEM TÖRVÉNY ÁLTAL VÉLELMEZETT JÓTÁLLÁST TÖBBEK KÖZÖTT – DE NEM KORLÁTOZVA – A TERMÉK ÉRTÉKESÍTHETŐSÉGÉRE, MEGFELELŐ MINŐSÉGÉRE, VALAMINT ADOTT CÉLRA VALÓ ALKALMASSÁGÁRA. A TERMÉKET KIZÁRÓLAG SAJÁT FELELŐSÉGÉRE HASZNÁLHATJA. A HIKMICRO SEMMILYEN ESETBEN SEM VÁLLAL FELELŐSÉGET ÖN FELÉ SEMMILYEN KÜLÖNLEGES, KÖVETKEZMÉNYES, JÁRULÉKOS VAGY KÖZVETETT KÁRÉRT, BELEÉRTVE TÖBBEK KÖZÖTT A TERMÉK HASZNÁLATÁVAL ÖSSZEFÜGGÉSBEN AZ ÜZLETI HASZON

ELVESZTÉSÉBŐL, AZ ÜZLETMENET MEGSZAKADÁSÁBÓL, VALAMINT AZ ADATOK VAGY DOKUMENTUMOK ELVESZTÉSÉBŐL EREDŐ KÁROKAT, TÖRTÉNJEN EZ SZERZŐDÉSSZEGÉS VAGY KÁROKOZÁS (BELEÉRTVE A GONDATLANSÁGOT) EREDMÉNYEKÉNT, MÉG AKKOR SEM, HA A HIKMICRO VÁLLALATOT TÁJÉKOZTATTÁK AZ ILYEN KÁROK BEKÖVETKEZÉSÉNEK LEHETŐSÉGÉRŐL.

ÖN TUDOMÁSUL VESZI, HOGY AZ INTERNET TERMÉSZETÉBŐL FAKADÓAN KOCKÁZATOKAT REJT, ÉS A HIKMICRO SEMMILYEN FELELŐSÉGET NEM VÁLLAL A RENDELLENES MŰKÖDÉSÉRT, A SZEMÉLYES ADATOK KISZIVÁRGÁSAÉRT VAGY MÁS OLYAN KÁROKÉRT, AMELYEKET KIBERTÁMADÁSOK, HACKERTÁMADÁSOK, VÍRUSFERTŐZÉSEK VAGY MÁS INTERNETES BIZTONSÁGI VESZÉLYEK OKOZTAK; A HIKMICRO AZONBAN KÉRÉSRE IDŐBEN MŰSZAKI TÁMOGATÁST NYÚJT. ÖN ELFOGADJA, HOGY EZT A TERMÉKET KIZÁRÓLAG A VONATKOZÓ TÖRVÉNYI ELŐÍRÁSOK BETARTÁSÁVAL HASZNÁLJA, ÉS HOGY A VONATKOZÓ TÖRVÉNYEKNEK MEGFELELŐ HASZNÁLAT KIZÁRÓLAG AZ ÖN FELELŐSÉGE. KÜLÖNÖSKÉPPEN AZ ÖN FELELŐSÉGE, HOGY A TERMÉK HASZNÁLATA SORÁN NE SÉRTSE HARMADIK FÉL JOGAIT, BELEÉRTVE, DE NEM KORLÁTOZVA A NYILVÁNOSSÁGRA, SZELLEMI TULAJDONRA, ADATOK VÉDELMEÉRE ÉS EGYÉB SZEMÉLYES ADATOKRA VONATKOZÓ JOGOKAT. A TERMÉKET NEM HASZNÁLHATJA TILTOTT CÉLRA, BELEÉRTVE A TÖMEGPUSZTÍTÓ FEGYVEREK FEJLESZTÉSÉT VAGY GYÁRTÁSÁT, A VEGYI VAGY BIOLÓGIAI FEGYVEREK FEJLESZTÉSÉT VAGY GYÁRTÁSÁT, VALAMINT BÁRMILYEN, ROBBANÁSVESZÉLYES VAGY NEM BIZTONSÁGOS NUKLEÁRIS HASADÓANYAG-CIKLUSSAL KAPCSOLATOS TEVÉKENYSÉGET, ILLETVE EMBERI JOGI VISSZAÉLÉSEKET TÁMOGATÓ MÓDON TÖRTÉNŐ

FELHASZNÁLÁST.

HA A JELEN KÉZIKÖNYV ÉS A HATÁLYOS TÖRVÉNY KÖZÖTT ELLENTMONDÁS TAPASZTALHATÓ, AKKOR AZ UTÓBBI A MÉRVADÓ.

Szabályozással kapcsolatos információk

Ezek a záradékok csak a megfelelő jelöléssel vagy információval ellátott termékekre vonatkoznak.

EU megfeleléségi nyilatkozat



Ezt a terméket és - ha alkalmazható - a mellékelt tartozékokat is „CE” - jelöléssel látták el, ezért azok megfelelnek a 2014/30/EU elektromágneses összeférhetőségről szóló (EMCD-) irányelvben, a 2014/35/EU kisfeszültségű berendezésekről szóló (LVD-) irányelvben és a 2011/65/EU RoHS-irányelvben felsorolt alkalmazandó harmonizált európai szabványok követelményeinek.



2012/19/EU irányelv (WEEE irányelv): Az ezzel a jelzéssel ellátott termékeket nem lehet szelektálatlan kommunális hulladékként elhelyezni az Európai Unióban. A megfelelő újrahasznosítás érdekében vigye vissza ezt a terméket helyi beszállítójához, amikor új, egyenértékű berendezést vásárol, vagy adja le a kijelölt gyűjtőhelyeken. További információk: www.recyclethis.info



2006/66/EK irányelv és annak 2013/56/EU kiegészítése (akkumulátor-irányelv): Ez a termék olyan elemet tartalmaz, amelyet nem lehet szelektálatlan kommunális hulladékként elhelyezni az Európai Unióban. A termékdokumentációban további információkat talál az elemről. Az elem ezzel a jelzéssel van ellátva. A jelzésen megtalálhatók lehetnek a kadmiumot (Cd), ólmot (Pb) vagy higanyt (Hg) jelző betűjelek. A megfelelő újrahasznosítás érdekében vigye vissza ezt a terméket a beszállítójához, vagy vigye egy kijelölt gyűjtőhelyre. További információk: www.recyclethis.info
Csak minősített gyártó által készített tápadaptert használjon. A tápellátással szembeni részletes követelmények a termék műszaki adataiban vannak feltüntetve.
Csak minősített gyártó által készített elemet használjon. Az akkumulátorral szembeni részletes követelmények a termék műszaki adataiban vannak feltüntetve.

Biztonsági utasítások

Ezen utasítások célja annak biztosítása, hogy a felhasználó a terméket megfelelően tudja használni veszély vagy vagyoni veszteség elkerülése érdekében.

Törvények és szabályok

Az eszközt a helyi törvények, elektromos biztonsági és tűzvédelmi előírások betartásával kell használni.

Szállítás

- Szállítás alkalmával tartsa a terméket az eredeti vagy ahhoz hasonló csomagolásban.
- Minden csomagolóanyagot őrizzen meg a későbbi felhasználás érdekében. Hiba esetén az eredeti csomagolásában kell a készüléket visszaküldenie a gyártónak.
- Az eredeti csomagolástól eltérő csomagolás a termék sérülését okozhatja. A vállalat ez esetben nem vállal semmilyen felelősséget.
- Ne ejtse le és ne tegye ki ütődésnek a készüléket. Az eszközt tartsa távol a mágneses interferenciától.

Tápellátás

- Kérjük, a töltőt vásárolja meg külön. A bemeneti feszültségnek meg kell felelnie a korlátozott áramforrásokra vonatkozó előírásoknak (12 VDC), az IEC62368 szabvány szerint. A részletes információkért olvassa el a műszaki adatokat.
- Ellenőrizze, hogy a tápcsatlakozó stabilan van-e csatlakoztatva a konnektorhoz.
- A hálózati aljzatot a készülék közelében kell felszerelni, könnyen hozzáférhető helyre.
- NE csatlakoztasson több készüléket egy hálózati adapterre, hogy elkerülje a túlterhelés okozta túlmelegedést vagy tűzveszélyt.
- NE érintse meg a bemeneti nyílás csupasz fém érintkezőit a megszakító kikapcsolása után. Még lehet bennük áram.
- A + a berendezés áramot fogadó vagy leadó pozitív érintkezőjét jelöli. A - a berendezés áramot fogadó vagy leadó negatív érintkezőjét jelöli.
- Ügyeljen a váltakozóáramú hálózati feszültségforráshoz csatlakozó érintkezők megfelelő bekötésére.

Akkumulátor

- Az akkumulátor nem megfelelő típusúra cserélése robbanásveszélyt idézhet elő. A használt akkumulátorokat az utasításoknak megfelelően semlegesítse.
- A beépített akkumulátor nem vehető ki. Kérjük, forduljon a gyártóhoz, ha javítás szükséges.
- Az akkumulátor hosszú távú tárolásakor az akkumulátor minőségének biztosítása érdekében ellenőrizze fél évente, hogy az teljesen fel van-e töltve. Ellenkező esetben rongálódás következhet be.
- Ez a készülék nem használható olyan helyen, ahol gyermekek lehetnek jelen.
- Az akkumulátor nem megfelelő típusú történő helyettesítése hatástalanná tehet egy biztonsági berendezést (például bizonyos típusú lítiumion-akkumulátorok esetében).
- Az akkumulátort tűzbe vagy forró sütőbe tenni, illetve az akkumulátort összezúzni vagy felvágni, mert ez robbanást okozhat.

- Tilos az akkumulátort rendkívül magas környezeti hőmérsékletnek kitenni, mert ez robbanást, illetve gyúlékony folyadék vagy gáz szivárgását idézheti elő.
- Tilos az akkumulátort rendkívül alacsony légnyomásnak kitenni, mert ez robbanást, illetve gyúlékony folyadék vagy gáz szivárgását okozhatja.

Telepítés

- A készülék telepítését az ebben az útmutatóban leírtak szerint végezze.
- A balesetveszély elkerülése érdekében a készüléket az üzembe helyezési utasításoknak megfelelően szilárdan a mennyezethez/falhoz kell erősíteni.
- Soha ne helyezze a berendezést instabil helyre. A berendezés leeshet, ami súlyos vagy akár halálos sérülést okozhat.
- Ez a készülék kizárólag a megfelelő rögzítőelemekkel használható. Az ettől eltérő eszközökkel (kocsi, állvány, vagy tartó) történő használat instabil rögzítést, és emiatt sérülésveszélyt okozhat.
- A tartóerőtöbblet legyen egyenlő a berendezés súlyának háromszorosával, de legalább 50 N legyen. Telepítés során a berendezésnek és a szerelőanyagoknak biztonságosnak kell lenniük.
- A telepítés befejeztével a berendezés és a rögzítőlemez nem lehet sérült.

Rendszerezés

- Ön elfogadja, hogy az Internet természeténél fogva biztonsági kockázatokat rejt, és vállalatunk nem vállal felelősséget a rendellenes működésért, az adatszivárgásért vagy más olyan károkért, amelyek kibertámadásból, hackertámadásból erednek; vállalatunk azonban szükség esetén időben műszaki támogatást nyújt.
- Tekintve, hogy a készülék az internetre csatlakozva hálózati biztonsági kockázatoknak lehet kitéve, gondoskodjon a személyes adatok védelméről és az adatbiztonságról. Ha a készülék hálózati biztonsági kockázatnak lehet kitéve, forduljon hozzánk.
- Ne feledje, hogy az Ön felelősége az eszközhöz kapcsolódó összes jelszó és egyéb biztonsági beállítás megadása, valamint felhasználónevének és jelszavának biztonságos megőrzése.


Karbantartás

- Ha a termék nem működik megfelelően, forduljon a kereskedőjéhez vagy a legközelebbi szervizközponthoz. Nem vállalunk felelősséget az illetéktelen javításból vagy karbantartásból eredő károkért.
- A készülék néhány alkatrésze (pl. elektrolit kondenzátor) rendszeres cserét igényel. Ezek átlagos élettartama változó, ezért rendszeres ellenőrzés ajánlott. Részletekért forduljon a

forgalmazóhoz.

- Törölje le a készüléket egy tiszta ruhával és kis mennyiségű etanollal, ha szükséges.
- Ha a készüléket nem a gyártó által meghatározott módon használja, a védelem szintje csökkenhet.
- A tűzveszély csökkentése érdekében csak azonos típusú és névleges értékű cserebiztosítót használjon.
- A készülék soros portja kizárólag hibakeresésre szolgál.
- Szervizelés alatt válassza le a tápellátást.

Használati környezet

- Győződjön meg arról, hogy a használati környezet megfelel a készülék előírásainak. A megfelelő üzemelési hőmérséklet-tartomány -20°C - 50°C (-4°F - 122°F) közötti, a megfelelő üzemelési páratartalom pedig legfeljebb 95%, kondenzáció nélkül.
- NE TEGYE ki a készüléket erős elektromágneses sugárzásnak vagy poros környezetnek.
- NE IRÁNYÍTSA az objektívet a Nap vagy más erős fényforrás irányába.
- A készüléket védeni kell csöpögő vagy fröccsenő víz és folyadékok ellen. Ne helyezzen vizet tartalmazó edényt, tárgyat, pl. vázát a tetejére.
- Tilos a készüléken nyílt lángforrást, pl. gyertyát elhelyezni.
- A szimbólummal ellátott alkatrészek megérintése esetén az ujjak égési sérülésének veszélye áll fenn . Ezeknek a részeknek a megérintése előtt várjon fél órát a készülék kikapcsolását követően.

Vészhelyzet

- Ha a készülék füstöt, furcsa szagot vagy zajt bocsát ki, azonnal kapcsolja ki, húzza ki a tápkábelt, majd forduljon a szervizközponthoz.

A gyártó címe

313-as szoba, B egység, 2-es épület, 399 Danfeng Road, Xixing alkerület, Binjiang kerület, Hangzhou, Zhejiang 310052, Kína
Hangzhou Microimage Software Co., Ltd.

MEGFELELŐSÉGI MEGJEGYZÉS: A termográfiasorozat termékeire exportszabályozás vonatkozhat különböző régiókban és országokban, pl. az Egyesült Államokban, az Európai Unióban, az Egyesült Királyságban és/vagy a wassenaari egyezmény más tagországaiban. Ha a termográfiasorozat termékeit különböző országok közt szeretné szállítani, exportálni vagy újraexportálni, tájékozódjon a szükséges exportengedélyekről és követelményekről egy jogi vagy megfelelési szakértőnél, vagy a helyi hatóságoknál.



Aspectul produsului este doar de referință și poate fi diferit față de produsul real.

Interfață și buton - Pagina A

Nr.	Funcție	Nr.	Funcție
1	Microfon	6	Cablu de rețea
2	Obiectiv termic	7	Cablu de alimentare
3	Slot pentru card MicroSD	8	RS-485 și interfață alarmă
4	Butonul de resetare	9	Difuzor
5	Port serial		

Observație:

Portul serial al echipamentului este utilizat doar pentru depanare.

**Acest dispozitiv poate detecta căderile într-o distanță de detectare de 4 m. Fiind dispozitiv de asistență, acesta nu poate să asigure că toate căderile pot fi detectate în raza sa de acțiune. Detectarea căderii poate să fie afectată în circumstanțe speciale. Pentru a se asigura acuratețea detectării, este recomandat ca acest dispozitiv să fie montat pe un perete interior la o înălțime de montare de 2,7 m. Vă rog să vă asigurați că direct în fața acestui dispozitiv nu sunt oglinzi, produse metalice, și alte obstacole.*

Manual de utilizare

Pentru informații detaliate, consultați manualul de utilizare al dispozitivului.



© 2022 Hangzhou Microimage Software Co., Ltd. Toate drepturile rezervate.


Despre acest manual

Manualul include instrucțiunile pentru utilizarea și gestionarea produsului. Fotografiiile, graficele și imaginile, precum și celelalte informații expuse în continuare sunt prezente exclusiv în scop descriptiv și explicativ. Informațiile din Manual pot fi modificate fără notificare, ca urmare a actualizărilor de firmware sau din alte motive. Puteți găsi cea mai recentă versiune a acestui Manual pe site-ul web al HIKMICRO (www.hikmicrotech.com/).

Vă rugăm să utilizați acest manual cu

îndrumarea și asistența specialiștilor instruiți în asistența pentru acest produs.

Mărcile comerciale

 și alte mărci comerciale și sigle ale HIKMICRO reprezintă proprietatea HIKMICRO în diferite jurisdicții.

Alte mărci comerciale și logo-uri men ionate reprezintă proprietatea de inătorilor reseptivi.

NOTĂ PRIVIND RESPONSABILITATEA
ÎN MĂSURA MAXIMĂ PERMISĂ DE LEGEA APLICABILĂ, ACEST MANUAL ȘI PRODUSUL DESCRIS CU HARDWARE-UL, SOFTWARE-UL ȘI FIRMWARE-UL SĂU, SUNT FURNIZATE „CA

ATARE" ȘI „CU TOATE DEFECȚIUNILE ȘI ERORILE”. HIKMICRO NU OFERĂ NICIO GARANȚIE, NICI ÎN MOD EXPRES ȘI NICI IMPLICIT, ÎN CEEA CE PRIVEȘTE INCLUSIV, DAR FĂRĂ A SE LIMITA LA COMERCIALIZABILITATEA, CALITATEA SATISFĂCĂTOARE SAU UTILITATEA PENTRU UN ANUMIT SCOP. DVS. VEȚI UTILIZA ACEST PRODUS PE PROPRIUL DVS. RISC. ÎN NICIUN CAZ, HIKMICRO NU VA FI RĂSPUNZĂTOARE FAȚĂ DE DVS. PENTRU ORICE DAUNE INDIRECTE, INCIDENTALE, SPECIALE, DAUNE PENTRU PIERDEREA PROFITULUI, INTRERUPEREA AFACERII SAU PIERDEREA DE DATE, DEFECTAREA SISTEMELOR SAU PIERDEREA DOCUMENTAȚIEI, PE BAZA ÎNCĂLCĂRII CONTRACTULUI, UNEI INFRAȚIUNI (INCLUSIV NEGLIJENȚĂ), RĂSPUNDEREA PENTRU PRODUSE SAU PRINTR-UN ALT MOD LEGAT DE UTILIZAREA PRODUSULUI, CHIAR DACĂ HIKMICRO A FOST INFORMATĂ ÎN PREALABIL DESPRE POSIBILITATEA APARIȚIEI UNOR ASTFEL DE DAUNE SAU PIERDERI.

SUNTEȚI DE ACORD CU FAPTUL CĂ NATURA INTERNETULUI PREVEDE RISCURI INERENTE CE POT APĂREA, CU PRIVIRE LA SIGURANȚĂ, IAR HIKMICRO NU ÎȘI ASUMĂ RESPONSABILITATEA PENTRU ORICE SITUAȚIE DE FUNCȚIONARE ANORMALĂ, SCURGERE DE INFORMAȚII CONFIDENȚIALE SAU ALTE DAUNE REZULTATE ÎN URMA UNUI ATAC CIBERNETIC, ATAC AL HACKERILOR, INFECTARE CU VIRUS, SAU ALTE RISCURI ASUPRA SECURITĂȚII; ÎN ORICE SITUAȚIE, ÎN CAZ DE NECESITATE, HIKMICRO VA FURNIZA SUPTOARE TEHNIC EFICIENT.

SUNTEȚI ÎN DE ACORD SĂ UTILIZAȚI ACEST PRODUS ÎN CONFORMITATE CU TOATE LEGILE APLICABILE, DEVENIND RESPONSABIL PENTRU UTILIZAREA ÎN CONFORMITATE CU LEGEA APLICABILĂ. SUNTEȚI, DE ASEMENEA, RESPONSABIL PENTRU UTILIZAREA ACESTUI PRODUS FĂRĂ A ÎNCĂLCĂ DREPTURILE TERȚILOR, INCLUSIV, DAR FĂRĂ A SE LIMITA LA DREPTURILE PUBLICITĂȚII, DREPTURILE DE PROPRIETATE INTELECTUALĂ SAU DREPTUL LA PROTECȚIA DATELOR ȘI ALTE DREPTURI PRIVATE. NU UTILIZAȚI ACEST PRODUS PENTRU UTILIZĂRI FINALE INTERZISE, INCLUSIV DEZVOLTAREA SAU PRODUCȚIA DE ARME DE DISTRUGERE ÎN MASĂ, DEZVOLTAREA SAU PRODUCȚIA DE ARME CHIMICE SAU BIOLOGICE, ACTIVITĂȚI LEGATE DE ORICE EXPLOZIBIL NUCLEAR SAU CICLU DE COMBUSTIBIL NUCLEAR CARE AR PRODUCE LIPSĂ DE SIGURANȚĂ SAU ÎN SPRIJINUL ABUZURILOR ASUPRA DREPTURILOR OMULUI. ÎN EVENTUALITATEA UNUI CONFLICT ÎNTRE ACEST MANUAL ȘI LEGISLAȚIA APLICABILĂ, VA AVEA PRIORITYATE ULTIMA DINTRE ACESTE.

Informații de reglementare

Aceste clauze se aplică doar produselor care poartă marca ori informațiile corespunzătoare.

Declarație de conformitate UE



Acest produs și, dacă este cazul, și accesoriile furnizate sunt însemnate cu marcajul „CE” și, drept urmare, sunt conforme cu standardele europene armonizate aplicabile, enumerate în Directiva 2014/30/UE (EMCD), Directiva 2014/35/UE (LVD), Directiva 2011/65/UE (RoHS).



Directiva 2012/19/UE (directiva DEEE): Produsele marcate cu acest simbol nu pot fi aruncate ca deșeuri municipale nesortate în Uniunea Europeană. Pentru o reciclare adecvată, returnați acest produs furnizorului local la achiziționarea unui echipament nou echivalent sau aruncați-l la punctele de colectare desemnate. Pentru mai multe informații vezi: www.recyclethis.info



Directiva 2006/66/CE și modificarea acesteia 2013/56/UE (directiva privind bateriile): Acest produs conține o baterie care nu poate fi eliminată ca și deșeu municipal nesortat în Uniunea Europeană. Consultați documentația produsului pentru informații specifice despre baterie. Baterie este marcată cu acest simbol, care poate include litere pentru a indica cadmiul (Cd), plumbul (Pb) sau mercurul (Hg). Pentru o reciclare corectă, returnați bateria furnizorului dvs. sau la un punct de colectare desemnat. Pentru mai multe informații vezi: www.recyclethis.info Utilizați adaptorul de alimentare furnizat de un producător calificat. Consultați specificațiile produsului pentru cerințele detaliate de alimentare.

Utilizați bateria furnizată de un producător calificat. Consultați specificațiile produsului pentru cerințele detaliate privind pbateria.

Instrucțiuni de siguranță

Aceste instrucțiuni sunt menite să asigure că utilizatorul poate utiliza corect produsul pentru a evita pericolul sau pierderea proprietății.

Legi și reglementări

Dispozitivul trebuie utilizat în conformitate cu legile locale, reglementările privind siguranța electrică și reglementările privind prevenirea incendiilor.

Transport

- Păstrați dispozitivul în ambalajul original sau similar în timpul transportului.
- După dezambalare, păstrați toate ambalajele pentru o viitoare utilizare. În cazul în care a apărut vreun defect, trebuie să returnați dispozitivul la fabrică în ambalajul original.
- Transportul fără ambalajul original poate duce la deteriorarea dispozitivului, iar compania nu își asumă nici o responsabilitate pentru aceasta.
- Nu scăpați produsul și nu-l supuneți șocurilor fizice. Păstrați dispozitivul departe de interfața magnetică.

Sursă de alimentare

- Vă rugăm să cumpărați personal încărcătorul. Tensiunea de intrare trebuie să îndeplinească sursa limitată de putere (12 V c.c.) conform standardului IEC62368. Vă rugăm să consultați specificațiile tehnice pentru informații detaliate.
- Asigurați-vă că ștecherul este conectat corect la priza de curent.
- Priza de curent trebuie să fie instalată în apropierea echipamentului și trebuie să fie ușor accesibilă.
- NU conectați mai multe dispozitive la un adaptor de alimentare pentru a evita pericolul de supraîncălzire sau de incendiu.
- NU atingeți contactele metalice goale ale prizelor după ce întrerupătorul de circuit este oprit. Electricitatea mai este prezentă.
- + identifică terminalul (terminalele) pozitiv(e) al(e) echipamentului care este utilizat cu curent continuu sau care generează curent continuu. - identifică terminalul (terminalele) negativ(e) al(e) echipamentului care este utilizat cu curent continuu sau care generează curent continuu.
- Asigurați-vă că terminalele sunt cablate corect pentru conectarea la o rețea de alimentare cu curent alternativ.

Baterie

- Risc de explozie dacă bateria este înlocuită cu una de tip incorect. Aruncați bateriile uzate în conformitate cu instrucțiunile.
- Bateria încorporată nu poate fi demontată. Vă rugăm să contactați producătorul pentru reparații, dacă este necesar.
- Pentru depozitarea pe termen lung a bateriei, asigurați-vă că aceasta este complet încărcată la fiecare jumătate de an pentru a asigura calitatea bateriei. În caz contrar, pot apărea daune.
- Acest echipament nu este adecvat pentru utilizarea în locații în care este posibil să fie prezenți copii.
- Înlocuirea necorespunzătoare a bateriei cu un tip incorect poate anula o protecție (de exemplu, în cazul unor tipuri de baterii cu litium).
- NU aruncați bateria în foc sau într-un cuptor încins și nici nu zdrobiți sau tăiați mecanic bateria, ceea ce poate duce la o explozie.
- NU lăsați bateria într-un mediu înconjurător cu temperaturi extrem de ridicate, ceea ce poate duce la o explozie sau la scurgerea de lichid sau gaz inflamabil.
- NU supuneți bateria la o presiune extrem de scăzută a aerului, care poate duce la o explozie sau la scurgerea de lichid sau gaz inflamabil.

Instalare

- Instalați echipamentul conform instrucțiunilor din acest manual.
- Pentru a preveni rănirea, acest echipament trebuie să fie fixat ferm pe tavan/perete, în

conformitate cu instrucțiunile de instalare.

- Nu așezați niciodată echipamentul într-un loc instabil. Echipamentul poate cădea, provocând vătămări corporale grave sau chiar moartea.
- Acest echipament este destinat utilizării numai cu suporturile corespunzătoare. Utilizarea cu alte suporturi (cărucioare, standuri sau suporturi) poate duce la instabilitate și poate provoca vătămări.
- Forța suplimentară trebuie să fie egală cu de trei ori greutatea echipamentului, dar nu mai puțin de 50 N. Echipamentul și mijloacele de montaj asociate trebuie să rămână sigure în timpul instalării.
- După instalare, echipamentul, inclusiv orice placă de montaj asociată, nu trebuie deteriorate.

Securitatea sistemului


- Recunoașteți că natura internetului implică riscuri de securitate inerente, iar compania noastră nu își asumă nicio responsabilitate pentru funcționarea anormală, scurgerea de informații private sau alte daune rezultate în urma unui atac cibernetic sau a unui atac al hackerilor; cu toate acestea, compania noastră va oferi asistență tehnică în timp util, dacă este necesar.
- Vă rugăm să asigurați protecția informațiilor personale și securitatea datelor, deoarece dispozitivul se poate confrunta cu probleme de securitate a rețelei atunci când este conectat la internet. Vă rugăm să ne contactați în cazul în care dispozitivul ar putea prezenta riscuri de securitate a rețelei.
- Vă rugăm să înțelegeți că aveți responsabilitatea de a configura toate parolele și alte setări de securitate ale dispozitivului și de a vă păstra numele de utilizator și parola.

Întreținere

- Dacă produsul NU funcționează corespunzător, contactați distribuitorul sau cel mai apropiat centru de service. Nu ne asumăm responsabilitatea pentru problemele cauzate de lucrările de reparații sau întreținere neautorizate.
- Câteva componente ale dispozitivului (de exemplu, condensator electrolitic) necesită înlocuirea regulată. Durata medie de viață variază, deci se recomandă verificarea periodică. Contactați distribuitorul pentru detalii.
- Ștergeți ușor aparatul cu o cârpă curată și o cantitate mică de etanol, dacă este necesar.
- În cazul în care echipamentul este utilizat într-un mod care nu este specificat de producător, protecția oferită de dispozitiv poate fi afectată.
- Pentru a reduce riscul de incendiu, înlocuiți numai cu același tip și rating de siguranță.
- Portul serial al echipamentului este utilizat doar pentru depanare.

- Deconectați sursa de alimentare în timpul întreținerii.

Utilizarea mediului

- Asigurați-vă că mediul de funcționare îndeplinește cerințele dispozitivului. Temperatura de funcționare trebuie să fie cuprinsă între -20 °C și 50 °C (-4 °F și 122 °F), iar umiditatea de funcționare trebuie să fie de 95% sau mai mică, fără condensare.
- NU expuneți dispozitivul la radiații electromagnetice ridicate sau în medii cu praf.
- NU îndreptați obiectivul la soare sau la orice altă lumină strălucitoare.
- Echipamentul nu trebuie să fie expus la picurare sau stropire și nu trebuie să fie așezate pe el obiecte pline cu lichide, cum ar fi vase.
- Nu trebuie plasate pe echipament surse de flacără goală, cum ar fi lumânările aprinse.
- Degete arse la manipularea pieselor cu simbolul . Așteptați o jumătate de oră după deconectare înainte de a manipula piesele.

Urgență

- Dacă din dispozitiv iese fum, miros sau zgomot, opriți imediat alimentarea, deconectați cablul de alimentare și contactați centrul de service.

Adresa de fabricație

Camera 313, unitatea B, clădirea 2, strada 399 Danfeng, subdistrictul Xixing, districtul Binjiang, Hangzhou, Zhejiang 310052, China
Hangzhou Microimage Software Co., Ltd.

NOTIFICARE DE CONFORMITATE: Produsele din seria termică pot fi supuse controalelor exporturilor în diferite țări sau regiuni, inclusiv, fără limitare, Statele Unite ale Americii, Uniunea Europeană, Regatul Unit și/sau alte țări membre ale Aranjamentului de la Wassenaar. Vă rugăm să consultați expertul juridic sau de conformitate profesional sau autoritățile administrației locale pentru orice cerințe necesare privind licența de export dacă intenționați să transferați, să exportați, să reexportați produsele din seria termică între diferite țări.

Nederlands



Het uiterlijk van het product is alleen bedoeld als referentie en kan verschillen van het werkelijke product.

Interface en knoppen - pagina A

Nr.	Functie	Nr.	Functie
1	Microfoon	6	Netwerkkabel
2	Thermische lens	7	Voedingskabel
3	MicroSD-kaartsleuf	8	RS-485 & Alarminterface
4	Reset-knop	9	Luidspreker
5	Seriële poort		

Opmerking:

De seriële poort van de apparatuur wordt alleen gebruikt voor foutopsporing.

**Dit apparaat kan vallen detecteren binnen een detectieafstand van 4 m. Als hulpmiddel kan dit apparaat niet garanderen dat alle vallen binnen het bereik worden gedetecteerd. De valdetectie kan worden beïnvloed onder speciale omstandigheden. Om de nauwkeurigheid van de detectie te garanderen, wordt aanbevolen dit apparaat te monteren op een binnenmuur met een montagehoogte van 2,7 m. Zorg ervoor dat er zich geen spiegels, metalen producten of andere obstructies direct voor dit apparaat bevinden.*

Gebruikershandleiding

Raadpleeg voor meer informatie de gebruikershandleiding van het apparaat.




© 2022 Hangzhou Microimage Software Co., Ltd. Alle rechten voorbehouden.

Over deze handleiding

De handleiding bevat instructies voor het gebruik en beheer van het product. Foto's, grafieken, afbeeldingen en alle andere informatie hierna worden verstrekt voor beschrijving en uitleg. De informatie in de handleiding is onderhevig aan verandering, zonder voorafgaande kennisgeving, als gevolg van firmware-updates of andere redenen. U kunt de nieuwste versie van deze handleiding vinden op de HIKMICRO-website (www.hikmicrotech.com/).

Gebruik deze handleiding onder begeleiding en ondersteuning van professionals die zijn opgeleid voor het ondersteunen van het product.

Handelsmerken

 HIKMICRO en andere handelsmerken en logo's van HIKMICRO zijn eigendom van HIKMICRO in verschillende rechtsgebieden.

Andere handelsmerken en logo's zijn het eigendom van hun respectieve eigenaren.

VRIJWARINGSCLAUSULE

VOOR ZOVER MAXIMAAL TOEGESTAAN OP GROND VAN HET TOEPASSELIJK RECHT, WORDEN DEZE HANDLEIDING EN HET OMSCHREVEN PRODUCT, INCLUSIEF HARDWARE, SOFTWARE EN FIRMWARE, GELEVERD 'ZOALS ZE ZIJN', INCLUSIEF 'FOUTEN EN GEBREKEN'. HIKMICRO GEEFT GEEN GARANTIES, EXPLICIET OF IMPLICIET, WAARONDER ZONDER BEPERKING, VERKOOPBAARHEID, BEVREDIGENDE KWALITEIT OF GESCHIKTHEID VOOR EEN BEPAALD DOEL. HET GEBRUIK VAN HET PRODUCT DOOR U IS OP EIGEN RISICO. IN GEEN GEVAL IS HIKMICRO VERANTWOORDELIJK VOOR SPECIALE, BIJKOMENDE, INCIDENTELE OF INDIRECTE SCHADE, WAARONDER, ONDER ANDERE, SCHADE VAN VERLIES AAN ZAKELIJKE WINST, ZAKELIJKE ONDERBREKING OF VERLIES VAN GEGEVENS, CORRUPTIE OF SYSTEMEN, OF VERLIES VAN DOCUMENTATIE, ONGEACHT OF DIT VOORTVLOEIT UIT CONTRACTBREUK,

BENADELING (INCLUSIEF NALATIGHEID), PRODUCTAANSPRAAKELIJKHEID OF ANDERS, MET BETREKKING TOT HET PRODUCT, ZELFS ALS HIKMICRO OP DE HOOGTE IS GEBRACHT VAN ZULKE SCHADE OF VERLIES.

U ERKENT DAT DE AARD VAN HET INTERNET INHERENTE VEILIGHEIDSRISICO'S INHOUDT EN DAT HIKMICRO GEEN ENKELE VERANTWOORDELIJKHEID AANVAARDT VOOR ABNORMALE WERKING, HET UITLEKKEN VAN PERSOONLIJKE GEGEVENS OF ANDERE SCHADE ALS GEVOLG VAN CYBERAANVALLEN, HACKERAANVALLEN, VIRUSBESMETTINGEN OF ANDERE BEVEILIGINGSRISICO'S OP HET INTERNET; INDIEN NODIG VOORZIET HIKMICRO IN TIJDIGE TECHNISCHE ONDERSTEUNING.

U GAAT AKKOORD MET HET GEBRUIK VAN DIT PRODUCT IN OVEREENSTEMMING MET ALLE TOEPASBARE WETTEN EN UITSLUITEND U BENT VERANTWOORDELIJK VOOR DE GARANTIE DAT UW GEBRUIK OVEREENSTEMT MET DE TOEPASBARE WET. U BENT VOORAL VERANTWOORDELIJK DAT HET GEBRUIK VAN DIT PRODUCT GEEN INBREUK MAAKT OP DE RECHTEN VAN DERDEN, INCLUSIEF EN ZONDER BEPERKING DE RECHTEN VAN PUBLICITEIT, INTELLECTUEEL EIGENDOM, OF GEGEVENS BESCHERMING EN ANDERE PRIVACYRECHTEN. U MAG DIT PRODUCT NIET GEBRUIKEN VOOR ENIGE ONWETTIG EINDGEBRUIK, MET INBEGRIIP VAN DE ONTWIKKELING OF DE PRODUCTIE VAN MASSAVERNIETIGINGSWAPENS, DE ONTWIKKELING OF DE PRODUCTIE VAN CHEMISCHE OF BIOLOGISCHE WAPENS, ALLE ACTIVITEITEN IN HET KADER VAN EVENTUELE NUCLEAIRE EXPLOSIEVEN OF ONVEILIGE NUCLEAIRE BRANDSTOF CYCLUS, OF TER ONDERSTEUNING VAN MENSENRECHTENSCHENDINGEN.

IN HET GEVAL VAN ENIGE CONFLICTEN TUSSEN DEZE HANDLEIDING EN DE TOEPASSELIJKE WETGEVING, PREVALEERT DE LAATSTE.

Informatie met betrekking tot regelgeving

Deze clausules zijn alleen van toepassing op producten met het bijbehorende merkteken of de bijbehorende informatie.

EU-conformiteitsverklaring



Dit product en - indien van toepassing - de meegeleverde accessoires dragen het merkteken "CE" en voldoen derhalve aan de toepasselijke geharmoniseerde Europese normen onder richtlijn 2014/30/EU (EMCD), richtlijn 2014/35/EU (LVD) en richtlijn 2011/65/EU (RoHS).



Richtlijn 2012/19/EU (WEEE-richtlijn): Producten die met dit symbool zijn gemarkeerd mogen binnen de Europese Unie niet worden weggegooid als

ongesorteerd huishoudelijk afval. Lever dit product voor een juiste recycling in bij uw plaatselijke leverancier bij aankoop van soortgelijke nieuwe apparatuur, of breng het naar daarvoor aangewezen inzamelpunten. Zie voor meer informatie:

www.recyclethis.info



Richtlijn 2006/66/EG en zijn amendement 2013/56/EU (Batterijrichtlijn): Dit product bevat een batterij die binnen de Europese Unie niet mag worden weggegooid

als ongesorteerd huishoudelijk afval. Zie de productdocumentatie voor specifieke informatie over de batterij. De batterij is gemarkeerd met dit symbool, dat letters kan bevatten die cadmium (Cd), lood (Pb) of kwik (Hg) aanduiden. Lever de batterij voor een juiste recycling in bij uw leverancier of bij een daarvoor aangewezen inzamelpunt. Zie voor meer informatie: www.recyclethis.info

Gebruik de door een gekwalificeerde fabrikant geleverde netstroomadapter. Raadpleeg de productspecificaties voor nauwkeurig omschreven vereisten omtrent de voeding.

Gebruik de door een gekwalificeerde fabrikant geleverde batterij. Raadpleeg de productspecificaties voor nauwkeurig omschreven vereisten omtrent de batterij.

Veiligheidsinstructies

Deze instructies zijn bedoeld om te verzekeren dat de gebruiker het product juist kan gebruiken om gevaar of verlies van eigendommen te vermijden.

Wet- en regelgeving

Het apparaat moet worden gebruikt in overeenstemming met lokale wetgeving, elektrische veiligheidsvoorschriften en voorschriften voor brandpreventie.

Transport

- Bewaar het apparaat in de originele of

- soortgelijke verpakking tijdens vervoer.
- Bewaar alle verpakkingen voor toekomstig gebruik. In het geval van een defect moet u het apparaat terugsturen naar de fabriek met de originele verpakking.
- Transport zonder de originele verpakking kan leiden tot schade aan het apparaat, waarvoor wij geen verantwoordelijk erkennen.
- Laat het product niet vallen en stel het apparaat niet bloot aan schokken. Houd het apparaat uit de buurt van magnetische interferentie.

Stroomvoorziening

- Koop de lader zelf. Deingangsspanning moet voldoen aan de Beperkte Voedingsbron (12 VDC) volgens de IEC62368-norm. Zie de technische specificaties voor gedetailleerde informatie.
- Zorg dat de stekker goed in het stopcontact zit.
- Het stopcontact moet in de buurt van de apparatuur worden geïnstalleerd en eenvoudig toegankelijk zijn.
- Sluit nooit meerdere apparaten aan op één voedingsadapter om oververhitting of brandgevaar door overbelasting te voorkomen.
- Raak de blanke metalen contacten van de inlaten niet aan nadat de stroomonderbreker is uitgeschakeld. Er is nog steeds elektriciteit aanwezig.
- + identificeert de positieve aansluiting(en) van apparatuur die wordt gebruikt met gelijkstroom of die dat genereert. - identificeert de negatieve aansluiting(en) van apparatuur die wordt gebruikt met gelijkstroom of die dat genereert.
- Zorg voor de juiste bekabeling van de klemmen voor aansluiting op een wisselstroomnet.

Batterij

- Er bestaat explosiegevaar wanneer de batterij door een onjuist type wordt vervangen. Verwijder gebruikte batterijen in overeenstemming met de instructies.
- De ingebouwde batterij kan niet worden gedemonteerd. Neem indien nodig contact op met de fabrikant voor reparatie.
- Voor langdurige opslag van de batterij moet u ervoor zorgen dat deze elk half jaar volledig wordt opgeladen om de kwaliteit van de batterij te waarborgen. Als u dit niet doet, kan dit leiden tot schade.
- Deze apparatuur is niet geschikt voor gebruik op locaties waar waarschijnlijk kinderen aanwezig zijn.
- Onjuiste vervanging van de batterij door een onjuist type kan een beveiliging omzeilen (bijvoorbeeld in het geval van sommige typen lithiumbatterijen).
- Gooi de batterij niet in vuur of een hete oven en plet of snij de batterij niet op mechanische wijze, want dat kan een explosie veroorzaken.

- Laat de batterij niet in een omgeving met een extreem hoge temperatuur liggen, want dat kan een explosie of het lekken van brandbare vloeistof of gas tot gevolg hebben.
- Stel de batterij niet bloot aan extreem lage luchtdruk, want dat kan een explosie of het lekken van brandbare vloeistof of gas tot gevolg hebben.

Installatie

- Installeer de apparatuur volgens de instructies in deze handleiding.
- Om letsel te voorkomen moet deze apparatuur in overeenstemming met de installatie-instructies stevig aan het plafond of de muur worden bevestigd.
- Plaats de apparatuur nooit op een onstabiele plaats. De apparatuur kan dan vallen, wat ernstig letsel of de dood tot gevolg kan hebben.
- Deze apparatuur is uitsluitend bedoeld voor gebruik met bijpassende klemmen. Gebruik met andere voorwerpen (karren, standaards of dragers) kan leiden tot instabiliteit letsel veroorzaken.
- De extra kracht moet gelijk zijn aan drie keer het gewicht van de apparatuur, maar niet minder dan 50 N. De apparatuur en de bijbehorende bevestigingsmiddelen moeten tijdens de installatie stevig vast blijven zitten.
- De apparatuur, inclusief enige bijbehorende montageplaat, mag na de installatie niet worden beschadigd.

Systeembeveiliging

- U erkent dat de aard van internet zorgt voor inherente veiligheidsrisico's, en ons bedrijf zal geen enkele verantwoordelijkheid accepteren voor abnormale werking, schending van privacy of andere schade als gevolg van een cyber- of hacker-aanval; ons bedrijf zal echter tijdige technische ondersteuning bieden indien vereist.
- Zorg voor bescherming van persoonlijke gegevens en gegevensbeveiliging aangezien het apparaat mogelijk te maken kan krijgen met netwerkbeveiligingsproblemen wanneer het met internet wordt verbonden. Neem contact met ons op als er netwerkbeveiligingsrisico's voor het apparaat optreden.
- Wij vragen uw begrip voor het feit dat u verantwoordelijkheid bent voor het configureren van alle wachtwoorden en andere beveiligingsinstellingen betreffende het apparaat, en bewaar uw gebruikersnaam en wachtwoord.

Onderhoud

- Als het product niet goed werkt, neem dan contact op met uw leverancier of het dichtstbijzijnde servicecentrum. Wij aanvaarden geen verantwoordelijkheid voor problemen die zijn veroorzaakt door ongeautoriseerde reparatie of onderhoud.
- Een paar componenten van het apparaat (o.a.

elektrolytische condensator) vereisen regelmatige vervanging. De gemiddelde levensduur varieert, dus periodieke controle wordt aanbevolen. Neem contact op met uw leverancier voor meer informatie.

- Veeg het apparaat voorzichtig schoon met een schone doek en, indien nodig, een kleine hoeveelheid ethanol.
- Als de apparatuur wordt gebruikt op een manier die niet door de fabrikant is gespecificeerd, kan de bescherming van het apparaat worden aangetast.
- Vervang de zekering uitsluitend door een exemplaar van hetzelfde type en vermogen om het risico van brand te reduceren.
- De seriële poort van de apparatuur wordt alleen gebruikt voor foutopsporing.
- Ontkoppel de voeding tijdens onderhoud.

Gebruiksomgeving

- Zorg dat de gebruiksomgeving voldoet aan de vereisten van het apparaat. Het apparaat werkt bij een temperatuur van -20 °C tot 50 °C (-4 °F tot 122 °F) en een luchtvochtigheid van 95% of lager, geen condensatie.
- Stel het apparaat niet bloot aan hoge elektromagnetische straling of stoffige omgevingen.
- Richt de lens niet op de zon of een ander fel licht.
- De apparatuur mag niet worden blootgesteld aan druppels of spetters en er mogen geen voorwerpen gevuld met vloeistoffen, zoals vazen, op de apparatuur worden geplaatst.
- Plaats geen bronnen met open vuur, zoals brandende kaarsen, op het apparaat.
- U kunt uw vingers verbranden als u onderdelen met dit symbool vastpakt . Wacht een half uur na uitschakelen voordat u de onderdelen beetpakt.

Noodgeval

- Als er rook, geur of geluid uit het apparaat komt, schakel het dan onmiddellijk uit, haal de stekker van het netsnoer uit het stopcontact en neem contact op met het servicecentrum.

Adres fabrikant

Kamer 313, Unit B, Gebouw 2, 399 Danfeng Road, subdistrict Xixing, district Binjiang, Hangzhou, Zhejiang 310052, China
Hangzhou Microimage Software Co., Ltd.

MEDEDELING VAN NALEVING: De producten thermische serie kunnen zijn onderworpen aan exportcontroles in verschillende landen of regio's, inclusief zonder enige beperking de Verenigde Staten, de Europese Unie, het Verenigd Koninkrijk en/of andere lidstaten van de Overeenkomst van Wassenaar. Neem contact op met uw professionele juridische of nalevingsexpert of plaatselijke overheidsinstanties omtrent enige noodzakelijke vereisten voor een

exportvergunning als u van plan bent de producten thermische serie te verplaatsen,

exporteren of her-exporteren tussen verschillende landen.

Dansk



Produktudseendet er kun til reference og kan variere fra det faktiske produkt.

Stik og knapper - Side A

Nr.	Funktion	Nr.	Funktion
1	Mikrofon	6	Netværkskabel
2	Termisk objektiv	7	Strømkabel
3	Kortholder til microSD-kort	8	RS-485- og alarmstik
4	Knappen nulstil	9	Højtaler
5	Seriell port		

Bemærk:

Den serielle port på udstyret bruges kun til fejlfinding.

**Denne enhed kan spore fald inden for en sporingsdistance på 4 m. Som en assisterende enhed kan den ikke sikre, at alle fald kan spores inde for dens rækkevidde. Nedfaldssporing kan blive påvirket under særlige omstændigheder. For at sikre sporingspræcision anbefales det, at denne enhed monteres på en indvendig væk med en monteringshøjde på 2,7 m. Sørg for, at ingen spejle, metalprodukter og andre forhindringer optræder direkte foran denne enhed.*

Brugervejledning

Se brugervejledningen til enheden med detaljerede oplysninger.



© 2022 Hangzhou Microimage Software Co., Ltd. Alle rettigheder forbeholdes.


Om denne vejledning

Vejledningen indeholder anvisninger om brug og håndtering af produktet. Billeder, diagrammer, illustrationer og alle øvrige oplysninger herefter tjener kun som beskrivelse og forklaring. Oplysningerne i vejledningen er med forbehold for ændring uden varsel på grund af opdateringer af firmware eller andre

årsager. Du kan finde den seneste udgave af vejledningen på webstedet for HIKMICRO (www.hikmicrotech.com/).

Brug brugervejledningen under vejledning af og med hjælp fra fagfolk, der er uddannet i understøttelse af produktet.

Varemærker

 og andre af HIKMICRO's varemærker og logoer tilhører HIKMICRO i forskellige jurisdiktioner.

Andre nævnte varemærker og logoer tilhører deres respektive ejere.

ANSVARSRFRASKRIVELSE

VEJLEDNINGEN OG DET HERI BESKREVNE PRODUKT, INKL. HARDWARE, SOFTWARE OG FIRMWARE, LEVERES I STØRST MULIGT OMFANG, DER ER TILLADT VED LOV, "SOM DET ER OG FOREFINDES" OG "MED ALLE DEFEKTER OG FEJL". HIKMICRO UDSTEDER INGEN GARANTIER, HVERKEN UDTRYKKELIGE ELLER UNDERFORSTÅEDE, INKL. UDEN BEGRÆNSNING, VEDRØRENDE SALGBARHED, TILFREDSSTILLENDE KVALITET ELLER EGNETHED TIL ET BESTEMT FORMÅL. DIN BRUG AF PRODUKTET SKER PÅ DIN EGEN RISIKO. UNDER INGEN OMSTÆNDIGHEDER ER HIKMICRO ANSVARLIG OVER FOR DIG FOR SÆRLIGE SKADER, HÆNDELIGE SKADER, FØLGESKADER ELLER INDIREKTE SKADER, INKL. BL.A., SKADER SOM FØLGE AF DRIFTSTAB, DRIFTSFORSTYRELSE ELLER TAB AF DATA, BESKADIGELSE AF SYSTEMER ELLER TAB AF DOKUMENTATION, UANSET OM DET ER BASERET PÅ KONTRAKTBRUD, SKADEVOLDENDE HANDLINGER (HERUNDER UAGTSOMHED), PRODUKTANSVAR ELLER PÅ ANDEN MÅDE I FORBINDELSE MED BRUGEN AF PRODUKTET, SELVOM HIKMICRO ER BLEVET UNDERRETTET OM MULIGHEDEN FOR SÅDANNE SKADER. DU ANERKENDER, AT INTERNETTET INDEHOLDER INDBYGGEDE SIKKERHEDSRISICI. HIKMICRO PÅTAGER SIG INTET ANSVAR FOR UNORMAL DRIFT, LÆKAGE AF PERSONLIGE OPLYSNINGER ELLER ANDRE SKADER SOM FØLGE AF CYBERANGREB, HACKERANGREB, VIRUSANGREB ELLER ANDRE INTERNETSikkerhedsrisici. HIKMICRO VIL DOG YDE EVENTUEL NØDVENDIG OG RETTIDIG TEKNISK SUPPORT.

DU ERKLÆRER DIG INDFORSTÅET MED AT BRUGE PRODUKTET I OVERENSSTEMMELSE MED ALLE GÆLDENDE LOVE, OG DU ER ENEANSVARLIG FOR AT SIKRE, AT DIN BRUG OVERHOLDER AL GÆLDENDE LOVGIVNING. DU ER ISÆR ANSVARLIG FOR AT BRUGE PRODUKTET PÅ EN MÅDE, DER IKKE KRÆNKER TREDJEPARTERS RETTIGHEDER, HERUNDER, UDEN BEGRÆNSNINGER, RETTIGHEDER VEDRØRENDE OFFENTLIG OMTALE, INTELLEKTUELLE EJENDOMSRETTIGHEDER ELLER RETTIGHEDER VEDRØRENDE DATABESKYTTELSE OG ANDRE RETTIGHEDER VEDRØRENDE PERSONLIGE OPLYSNINGER. DU MÅ IKKE BRUGE PRODUKTET TIL FORBUDTE SLUTANVENDELSER, HERUNDER UDVIKLING ELLER FREMSTILLING AF MASSEØDELÆGGELSESVÅBEN, UDVIKLING ELLER PRODUKTION AF KEMISKE ELLER BIOLOGISKE VÅBEN, AKTIVITETER I DEN KONTEKST, DER ER KNYTTET TIL ATOMBOMBER ELLER USIKKERT REAKTORBRÆNDSEL, ELLER SOM STØTTE TIL OVERTRÆDELSE AF MENNESKERETTIGHEDER.

I TILFÆLDE AF UOVERENSSTEMMELSE MELLEM VEJLEDNINGEN OG GÆLDENDE LOVGIVNING GÆLDER SIDSTNÆVNTE.

Lovgivningsmæssige oplysninger

Disse klausuler gælder kun produkter, som bærer det tilsvarende mærke eller den tilsvarende information.

EU-overensstemmelseserklæring



Produktet og eventuelt medfølgende tilbehør er mærket "CE" og opfylder derfor gældende harmoniserede europæiske standarder anført i EU-direktiv 2014/30/EU (EMCD), EU-direktiv 2014/35/EU (LVD) og EU-direktiv 2011/65/EU (RoHS).



EU-direktiv 2012/19/EU (WEEE-direktivet): Produkter, der er mærket med dette symbol, kan ikke bortskaffes som almindeligt husholdningsaffald i EU. Med henblik på korrekt genbrug skal du aflevere produktet til din lokale leverandør ved køb af tilsvarende nyt udstyr eller aflevere det på et dertil indrettet indleveringssted. Du kan få flere oplysninger her: www.recyclethis.info



Direktiv 2006/66/EF som ændret ved 2013/56/EU (batteridirektivet): Dette produkt indeholder et batteri, som ikke kan bortskaffes sammen med almindeligt husholdningsaffald i EU. Find specifikke oplysninger om batteriet i produktokumentationen. Batteriet er mærket med dette symbol, som kan indeholde bogstaver, der indikerer indhold af kadmium (Cd), bly (Pb) eller kviksølv (Hg). Med henblik på korrekt genbrug skal du aflevere batteriet til din leverandør eller til et dertil indrettet indleveringssted. Du kan få flere oplysninger her: www.recyclethis.info
Brug en strømadapter fra en godkendt producent. Se de nærmere krav til strømforsyning i produktspecifikationerne.
Brug et batteri fra en godkendt producent. Se de nærmere krav til batterier i produktspecifikationen.

Sikkerhedsanvisninger

Disse anvisninger skal sikre, at brugeren kan anvende produktet korrekt og undgå fare eller tab af ejendom.

Love og bestemmelser

Enheden skal anvendes i overensstemmelse med lokale love, sikkerhedsbestemmelser for elnettilslutning og brandforebyggelse.

Transport

- Opbevar enheden i den oprindelige eller en lignende emballage, når den skal transporteres.
- Gem al emballage efter udpakningen til senere brug. Du skal bruge den originale

emballage til at returnere enheden til fabrikken, hvis der opstår fejl.

- Transport uden den originale emballage kan medføre skade på enheden, og virksomheden tager intet ansvar derfor.
- Tab ikke produktet, og udsæt det ikke for fysiske stød. Hold enheden væk fra magnetisk forstyrrelse.

Strømforsyning

- Du skal selv købe en oplader. Indgangsspænding skal overholde LPS (Limited Power Source) (12 V jævnstrøm) iht. standarden IEC62368. Du kan finde nærmere oplysninger i de tekniske specifikationer.
- Kontrollér, at stikket er sat godt i stikkontakten.
- Stikkontakten skal være installeret i nærheden af udstyret og være nemt tilgængelig.
- Slut IKKE flere enheder til én strømadapter for at undgå overhedning eller brandfare som følge af overbelastning.
- Rør IKKE ved de blottede metalkontakter på indgangene, når afbryderen er slukket. Der er fortsat elektricitet til stede.
- + identificerer de positive terminaler på udstyret, der bruges sammen med eller genererer jævnstrøm. - identificerer de negative terminaler på udstyret, der bruges sammen med eller genererer jævnstrøm.
- Sørg for korrekt kabelføring af terminalerne for tilslutning til en strømforsyning med vekselstrøm.

Batteri

- Der er eksplosionsfare, hvis batteriet udskiftes med en ukorrekt type. Bortskaf brugte batterier i henhold til anvisningerne.
- Det indbyggede batteri kan ikke demonteres. Kontakt producenten, hvis du har brug for en reparation.
- Hvis batteriet skal opbevares i en længere periode, skal du sikre, at det oplades fuldt hvert halve år for at bevare batteriets ydeevne. Ellers kan der opstå skade.
- Udstyret er ikke egnet til brug på steder, hvor det er sandsynligt, at børn er til stede.
- Udskiftning af batteriet med et batteri af forkert type kan sætte en sikkerhedsforanstaltning ud af kraft (gælder fx for visse litium-batterityper).
- IKKE batteriet i åben ild eller en varm ovn. Knus ikke, og skær ikke i batteriet, da dette kan forårsage en eksplosion.
- IKKE batteriet i omgivelser med ekstremt høje temperaturer, da det kan medføre en eksplosion eller lækage af brandfarlig væske eller luftart.
- IKKE batteriet for omgivelser med ekstremt lavt lufttryk, da det kan medføre en eksplosion eller lækage af brandfarlig væske eller luftart.

Installation

- Installér udstyret i overensstemmelse med

anvisningerne i vejledningen.

- For at undgå skader skal dette udstyr fastgøres sikkert til loft/væg i overensstemmelse med installationsvejledningen.
- Placér aldrig udstyret på et usikkert underlag. Udstyret kan vælte og forårsage alvorlig personskade eller død.
- Brug kun udstyret sammen med de tilsvarende beslag. Brug af andet (arbejdsvogne, stativer eller støtter) kan medføre ustabilitet og forårsage personskade.
- Den ekstra styrke skal være lig med tre gange vægten af udstyret, men ikke mindre end 50 N. Udstyret og dets tilhørende monteringsenheder skal holdes sikre under installationen.
- Udstyret, herunder eventuelle tilhørende monteringsplader, må ikke beskadiges under installationen.

Systemsikkerhed


- Du anerkender, at internettet indeholder indbyggede sikkerhedsrisici. Vores virksomhed påtager sig intet ansvar for unormal drift, lækage af personlige oplysninger eller andre skader som følge af cyberangreb eller hackerangreb. Vores virksomhed vil dog yde nødvendig rettidig teknisk bistand.
- Sørg for at aktivere beskyttelse af personoplysninger og datasikkerhed, da enheden kan blive udsat for netværkssikkerhedsproblemer, når den tilsluttes internettet. Kontakt os, hvis der opstår netværkssikkerhedsrisici.
- Du skal være bevidst om, at du har ansvar for at konfigurere alle adgangskoder og andre sikkerhedsindstillinger vedrørende enheden og at opbevare dit brugernavn og din adgangskode et sikkert sted.

Vedligeholdelse

- Hvis produktet ikke virker korrekt, skal du kontakte din forhandler eller dit nærmeste servicecenter. Vi påtager os intet ansvar for problemer, der er forårsaget af uautoriseret reparation eller vedligeholdelse.
- Der er få enhedsdele (fx elektrolytkondensator), der skal udskiftes regelmæssigt. Den gennemsnitlige levetid varierer. Derfor er det nødvendigt at udføre regelmæssig kontrol. Kontakt din forhandler for nærmere oplysninger.
- Tør enheden forsigtigt af med en ren klud og en lille mængde ætanol, hvis det er nødvendigt.
- Hvis udstyret bruges på en måde, der ikke er angivet af producenten, kan den beskyttelse, der enheden giver, blive forringet.
- Udskift kun med en sikring af samme type og effekt for at reducere risikoen for brand.
- Den serielle port på udstyret bruges kun til fejlfinding.
- Afbryd strømkilden under udførelse af

service.

Driftsmiljø

- Kontrollér, at driftsmiljøet opfylder enhedens krav. Driftstemperaturen skal ligge mellem -20 °C og 50 °C (-4 °F til 122 °F), og driftsluftfugtigheden skal være 95 % eller derunder, uden kondens.
- Enheden må IKKE udsættes for kraftig elektromagnetisk stråling eller støvfylde miljøer.
- Objektivt må IKKE rettes mod solen eller et stærkt lys.
- Udsæt ikke udstyret for dryp eller sprøjt, og placér ikke genstande med væske, såsom vaser, oven på udstyret.
- Placér ikke kilder med åben ild, såsom et tændt stearinlys, oven på udstyret.
- Risiko for forbrænding ved håndtering af dele med symbolet . Vent 30 minutter, efter at udstyret er slukket, før delene håndteres.

Nødsituation

- Hvis enheden afgiver røg, lugt eller støj, skal

du straks slukke for strømmen og trække strømkablet ud. Kontakt derefter servicecentret.

Producentens adresse

Værelse 313, Enhed B, Bygning 2, 399 Danfeng Vej, Xixing Underdistrikt, Binjiang Distrikt, Hangzhou, Zhejiang 310052, Kina
Hangzhou Microimage Software Co., Ltd.

MEDDELELSE OM OVERENSSTEMMELSE:

Produkterne i den termografiske serie kan være underlagt eksportkontrol i forskellige lande eller områder, herunder, uden begrænsning, USA, EU, Storbritannien og/eller andre medlemslande i Wassenaar-aftalen. Kontakt din professionelle juraekspert, ekspert i overensstemmelse eller de lokale offentlige myndigheder for at få oplysninger om kravene for eksportlicens, hvis du har til hensigt at overføre, eksportere eller geneksportere enheder i den termiske serie mellem forskellige lande.

Norsk



Produktets utseende er kun til referanse og kan avvike fra det faktiske produktet.

Grensesnitt og Knapp – Side A

Nei.	Virkemåte	Nei.	Virkemåte
1	Mikrofon	6	Nettverkskabel
2	Termisk linse	7	Strømledning
3	Spor til MicroSD-kort	8	RS-485 & alarmgrensesnitt
4	Tilbakestill-knapp	9	Høytaler
5	Serial Port		

Merknad:

Serieporten til utstyret skal bare brukes til feilsøking.

**Enheden kan oppdage et fall innenfor en deteksjonsavstand på 4 meter. Som hjelpeenhet kan enheten ikke sikre at alle fall oppdages innenfor området. Under spesielle omstendigheter kan høsttesten bli påvirket. For å sikre deteksjonsnøyaktigheten, anbefales det å installere denne enheten på innerveggen med en installasjonshøyde på 2,7 meter. Forsikre deg om at det ikke er speil, metallprodukter og andre hindringer foran denne enheten.*

Brukermanual

Les brukerhåndboken til enheten for å få mer informasjon.



© 2022 Hangzhou Microimage Software Co., Ltd. Med enerett.

Om denne Brukerhåndboken

Denne brukerhåndboken forklarer hvordan produktet skal brukes og vedlikeholdes. Bilder, tabeller og all annen informasjon er kun ment som beskrivelser og forklaringer. Informasjonen i brukerhåndboken kan bli endret uten varsel, f.eks. på grunn av fastvareoppdateringer. Du finner den nyeste versjonen av denne håndboken på nettstedet til HIKMICRO (www.hikmicrotech.com/).

Bruk denne håndboken i kombinasjon med hjelp fra profesjonelle fagfolk når du bruker produktet.

Varemerker

 og andre av HIKMICROs varemerker og logoer eies av HIKMICRO i forskjellige jurisdiksjoner.

Andre varemerker og logoer som presenteres, tilhører sine respektive eiere.

JURIDISK ADVARSEL

DENNE HÅNDBOKEN OG PRODUKTET DEN GJELDER FOR (MASKINVARE, FASTVARE OG PROGRAMVARE) LEVERES «SOM DET ER», INKLUDERT ALLE FEIL OG MANGLER, TIL DEN GRAD DETTE TILLATES AV GJELDENE LOVVERK. HIKMICRO GIR INGEN GARANTIER, HVERKEN DIREKTE ELLER UNDERFORSTÅTTE, OM BLANT ANNET SALGBARHET, TILFREDSSTILLENDE KVALITET ELLER EGNETHET FOR SPESIFIKKE FORMÅL. ALL BRUK AV PRODUKTET SKJER UTELUKKENDE PÅ DIN EGEN RISIKO. HIKMICRO ER IKKE UNDER NOEN OMSTENDIGHETER ANSVARLIGE OVERFOR DEG FOR EVENTUELLE SPESIELLE SKADER. FØLGESKADER, TILFELDIGE SKADER ELLER INDIREKTE SKADER, INKLUDERT BLANT ANNET TAP AV FORTJENESTE, AVBRUDD I FORRETNINGSDRIFT, TAP AV DATA, SKADER PÅ DATASYSTEMER ELLER TAP AV DOKUMENTASJON SOM OPPSTÅR I FORBINDELSE MED BRUKEN AV DETTE PRODUKTET, UAVHENGIG AV OM DETTE SKJER GRUNNET KONTRAKTSBRUDD, FORSØMMELSE, PRODUKTFEIL ELLER ANNET, SELV NÅR HIKMICRO HAR BLITT VARSLET OM AT SLIKE SKADER KAN OPPSTÅ.

DU ERKJENNER AT SIKKERHETSRIKIKOER LIGGER I INTERNETTS NATUR, OG AT HIKMICRO IKKE TAR NOE ANSVAR FOR UNORMAL DRIFT,

LEKKASJER AV PERSONVERN ELLER ANDRE SKADER SOM FØLGER AV CYBERANGREP, VIRUSINFISERING ELLER ANDRE INTERNETTRISIKOER. IMIDLERTID VIL HIKMICRO LEVERER TIDLIG TEKNISK SUPPORT HVIS NØDVENDIG.

DU GODTAR Å BRUKE DETTE PRODUKTET I SAMSVAR MED ALLE GJELDENE LOVER, OG AT DU ER ENEANSVARLIG FOR Å FORSIKRE DEG OM AT DIN BRUK SKJER I SAMSVAR MED GJELDENE LOVER. SPESIFIKT NEVNES AT DU ER ANSVARLIG FOR Å BRUKE DETTE PRODUKTET PÅ EN MÅTE SOM IKKE KRENKER RETTIGHETENE TIL TREDJEPARTER, BLANT ANNET RETT TIL PUBLISERING, IMMATERIELLE EIENDOMSRETTIGHETER ELLER LOVER OM DATABESKYTTELSE OG PERSONVERN. DU SKAL IKKE BRUKE PRODUKTET TIL ULOVLIGE FORMÅL, BLANT ANNET UTVIKLING ELLER PRODUKSJON AV MASSEØDELEGGELSESVÅPEN, UTVIKLING ELLER PRODUKSJON AV KJEMISKE OG BIOLOGISKE VÅPEN, ENHVER FORM FOR AKTIVITET KNYTTET TIL KJERNEVÅPEN ELLER UTRYGG BRUK AV KJERNEFYSISK MATERIALE ELLER I FORBINDELSE MED BRUDD PÅ MENNESKERETTIGHETENE.

HVIS DET OPPSTÅR KONFLIKTER MELLOM BRUKERHÅNDBOKEN OG GJELDENE LOVVERK, ER DET SISTNEVNTE SOM GJELDER.

Regulatorisk informasjon

Disse klausulene er bare egnet for produkter med tilsvarende merker eller informasjon.

Samsvarserklæring for EU



Dette produktet og – hvis aktuelt, også det medfølgende tilbehøret – er "CE"-merket og samsvarer derfor med de gjeldende harmoniserte europeiske standardene som er oppført under direktiv 2014/30/EU (EMCD), direktiv 2014/35/EU (LVD), direktiv. 2011/65/EU (RoHS).



Direktiv 2012/19/EU (WEEE-direktiv): Produkter som er merket med dette symbolet kan ikke kastes som restavfall innenfor EU.

Produktet skal returneres for resirkulering, enten til en forhandler/leverandør eller på en miljøstasjon eller et lignende, godkjent mottakssted. For

mer informasjon, se: www.recyclethis.info



Direktiv 2006/66/EC og tillegg 2013/56/EU (batteridirektiv): Dette produktet inneholder et batteri som ikke kan kastes som restavfall innenfor EU. Se

produktinformasjonen for spesifikk informasjon om batteriet. Batteriet er merket med dette symbolet, som også kan inneholde bokstaver for å indikere at det inneholder kadmium (Cd), bly (Pb) eller kvikksølv (Hg). Batteriet skal returneres for resirkulering, enten til en forhandler/leverandør eller til et godkjent mottakssted. For mer informasjon, se: www.recyclethis.info

Bruk strømadapteret levert av en godkjent produsent. Les produktinformasjonen for mer informasjon om strømkravene.

Bruk batterier levert av en godkjent produsent. Se produktspesifikasjonene for detaljer om batterikrav.

Sikkerhetsinstruksjoner

Formålet med disse instruksjonene er at brukeren skal kunne bruke produktet riktig for å unngå skade og tap av eiendom.

Love og forskrifter

Enheten bør brukes i samsvar med lokal lovgivning, forskrifter for elektrisk sikkerhet og brannforskrifter.

Transport

- Enheten skal oppbevares i den originale emballasjen (eller lignende) under transport.
- Oppbevar all emballasje etter åpning for fremtidig bruk. I tilfelle det oppstår feil, må du returnere enheten til fabrikkens i den originale emballasjen.
- Transport uten den originale emballasjen kan føre til skader på enheter, et ansvar som ikke dekkes av selskapet.
- Produktet må ikke slippes i bakken eller utsettes for fysiske støt. Hold enheten borte fra magnetiske forstyrrelser.

Strømforsyning

- Vennligst kjøp laderen selv. Inngangseffekten skal overholde kravene til begrenset strømkilde (12 VDC) i standarden IEC62368. Les den tekniske dokumentasjonen for mer informasjon.
- Sørg for at kontakten er satt riktig inn i stikkkontakten.
- Stikkkontakten/strømuttaket må være lett tilgjengelig og plassert nær enheten.
- Koble IKKE flere enheter til ett strømadapter. Overbelastning av adaptere kan føre til overoppheting og brannfare.
- Berør IKKE de nakne metalldelene i kontaktene etter at sikringen er slått av. Det er fortsatt elektrisitet tilstede.
- + viser positive poler på utstyret det brukes med, eller genererer direkte strøm. - viser negative poler på utstyret det brukes med, eller genererer direkte strøm.

- Kontroller at terminalene er riktig kablet for tilkobling til en likestrømforsyning.

Batteri

- Det kan oppstå eksplosjonsfare hvis batteriet blir skiftet ut med feil type batteri. Kast brukte batterier i samsvar med instruksjonene.
- Det innebyggede batteriet kan ikke demonteres. Kontakt produsenten for reparasjoner ved behov.
- Ved langvarig lagring må batteriet fullades hvert halvår for å bevare batterikvaliteten. Hvis ikke kan det oppstå skader.
- Dette utstyret er ikke egnet for bruk på steder hvor det er mulighet for at barn oppholder seg.
- Uriktig erstatning av batteriet med feil type, kan ødelegge en sikkerhetsinnretning (ved f.eks. enkelte litiumbatterityper).
- Batteriet må ikke kastes i ild eller en varm ovn, og det må heller ikke knuses eller deles da dette kan føre til en eksplosjon.
- Batteriet må ikke utsettes for ekstremt høy temperatur. Det kan forårsake eksplosjon eller lekkasje av brennbar væske eller gass.
- Batteriet må ikke utsettes for ekstremt lavt lufttrykk. Det kan forårsake eksplosjon eller lekkasje av brennbar væske eller gass.

Installasjon

- Monter utstyret i henhold til instruksjonene i denne håndboken.
- For å hindre skader må dette utstyret være godt festet til veggen i henhold til monteringsinstruksjonene.
- Plasser aldri utstyret på et ustabilt sted. Utstyret kan falle og forårsake alvorlige personskader eller dødsfall.
- Utstyret er kun beregnet på bruk med de tilhørende brakettene. Bruk med annet (vogner, stativer eller holder) kan føre til ustabilitet og skader.
- Tilleggskraften skal tilsvare tre ganger vekten til utstyret, men ikke mindre enn 50 N. Utstyret og relaterte monteringsmetoder må forbli sikre under installasjonen.
- Etter installasjonen må ikke utstyret og relatert monteringsutstyr utsettes for skade.

Systemikkerhet

- Du forstår og godtar at internettets natur medfører iboende sikkerhetsrisikoer, og at bedriften vår ikke er ansvarlig for driftsavvik, personvernbrudd eller andre skader som stammer fra cyberangrep, hackerangrep, virus eller andre internett-relaterte sikkerhetsrisikoer. Vi tilbyr likevel teknisk støtte ved behov.
- Vær varsom med personopplysningene og nøye med datasikkerheten, siden enheten blir utsatt for nettverksrelaterte sikkerhetsproblemer når den er tilkoblet internett. Kontakt oss når det kan finnes sikkerhetsrisikoer tilknyttet enheten.
- Forstå at du har ansvaret for å konfigurere


alle passordene og andre sikkerhetsinnstillingene for enheten, og at du må ta vare på brukernavnet og passordet.

Vedlikehold

- Hvis produktet ikke fungerer som det skal, må du kontakte forhandleren eller nærmeste servicesenter. Vi har ikke noe som helst ansvar for problemer forbundet med uautorisert reparasjon eller vedlikehold.
- Enkelte komponenter (f.eks. den elektrolytiske kondensatoren) må skiftes ut jevnlig. Levetiden kan variere, så det anbefales at det utføres periodiske kontroller. Kontakt forhandleren for mer informasjon.
- Tørk forsiktig av enheten med en ren klut og en liten mengde etanol ved behov.
- Hvis enheten brukes på måter som ikke støttes av produsenten, kan enheten og funksjonene dens forringes.
- For å redusere risikoen for brann må du kun skifte ut med samme type sikring.
- Serieporten til utstyret skal bare brukes til feilsøking.
- Koble fra strømkilden under service.

Bruksomgivelser

- Sørg for at bruksomgivelsene oppfyller kravene til enheten. Brukstemperaturen skal være mellom -20 °C og 50 °C (-4 °F til 122 °F), og luftfuktigheten skal være 95 % eller mindre, uten kondens.
- IKKE eksponer enheten for høy elektromagnetisk stråling eller støvete miljøer.

- Linsen må IKKE rettes mot solen eller andre sterke lyskilder.
- Utstyret må ikke eksponeres for drypp eller sprut, og det må ikke plasseres væskefylte gjenstander, som for eksempel vaser, på utstyret.
- Åpne flammer, som for eksempel stearinlys, må ikke settes på utstyret.
- Fare for å brenne fingrene ved håndtering av deler med symbolet . Vent i en halvtime etter avstengning før delene berøres.

Nød

- Hvis det kommer røyk, lukt eller støy fra enheten, må du øyeblikkelig skru av strømmen, trekke ut strømledningen og kontakte et servicesenter.

Produsentens adresse

Rom 313, enhet B, bygning 2, 399 Danfengveien, Xixing Subdistrict, Binjiang-distriktet, Hangzhou, Zhejiang 310052, Kina
Hangzhou Microimage Software Co., Ltd.

MERKNAD OM SAMSVAR: Produktene i termoserien kan bli underlagt eksportkontroller i forskjellige land eller regioner, inkludert, uten begrensning, USA, Den europeiske union, Storbritannia og Nord-Irland og/eller andre medlemsland i Wassenaar-avtalen. Snakk med din profesjonelle juridiske ekspert eller samsvareksperter, eller lokale myndigheter for eventuelle nødvendige eksportlisenskrav hvis du ønsker å overføre, eksportere, re-eksportere termoserie-produkter mellom forskjellige land.

Suomi



Tuotteen ulkonäkö on vain viitteellinen ja voi poiketa todellisesta tuotteesta.

Liitännät ja Painikkeet – Sivu A

Numero	Toiminto	Numero	Toiminto
1	Mikrofoni	6	Verkkokaapeli
2	Lämpölinssi	7	Virtajohto
3	MicroSD-korttipaikka	8	RS-485 ja hälytysliitäntä
4	Nollauspainike	9	Kaiutin
5	Sarjaportti		

Huomio:

Laitteen sarjaporttia käytetään vain virheenkorjaukseen.

**Tämä laite havaitsee putoamisen 4 metrin etäisyydeltä. Apulaitteena tämä laite ei pysty varmistamaan, että kaikki putoamiset voidaan havaita sen kantama-alueen sisällä. Erityisolosuhteet saattavat vaikuttaa putoamisen havaitsemiseen. Tunnistuksen tarkkuuden varmistamiseksi*

tämä laite suositellaan asennettavaksi sisäseinään, jonka asennuskorkeus on 2,7 m. Varmista, että peilejä, metallituotteita tai muita esteitä ei ole suoraan tämän laitteen edessä.

Käyttöohje

Lisätietoa saat laitteen käyttöoppaasta.




© 2022 Hangzhou Microimage Software Co., Ltd. Kaikki oikeudet pidätetään.

Tietoa käyttöohjeesta

Käyttöohjeessa on ohjeita tuotteen käyttämiseen ja hallintaan liittyen. Kuvat, kaaviot ja muut tiedot ovat tästä eteenpäin ainoastaan kuvaus- ja selitystarkoituksiin. Käyttöohjeen sisältämiä tietoja voidaan muuttaa ilman erillistä ilmoitusta laiteohjelmiston päivityksen vuoksi tai muusta syystä. Etsi tämän käyttöoppaan viimeisin versio HIKMICRO-verkkosivustolta (www.hikmicrotech.com/).

Käytä tätä käyttöopasta ohjeena ja tuotteen käyttöön koulutettujen ammattilaisten apuna.

Tavaramerkit

 HIKMICRO ja muut HIKMICRO-yhtiön tavaramerkit ja logot ovat HIKMICRO-yhtiön omaisuutta eri lainkäyttöalueilla.

Muut mainitut tavaramerkit ja logot ovat omistajiensa omaisuutta.

VASTUUVAPAUSLAUSEKE

TÄMÄ KÄYTTÖOPAS JA KUVATTU TUOTE (SISÄLTÄÄ LAITTEISTON, OHJELMISTON JA LAITEOHJELMISTON) TOIMITETAAN SELLAISENAAN KAIKKINE VIKOINEEN JA VIRHEINEEN SIINÄ MÄÄRIN KUIN SOVELLETTAVAT LAIT SEN SALLIVAT. HIKMICRO EI ANNA MITÄÄN NIMEENOMAISIA TAI EPÄSUORIA TAKUITA, MUKAAN LUKIEN NÄIHIN KUITENKAAN RAJOITTUMATTA, MYYNTIKELPOISUUS, TYYDYTTÄVÄ LAATU TAI SOVELTUVUUS TIETTYYN KÄYTTÖTARKOITUKSEEN. TUOTTEEN KÄYTTÖ ON TÄYSIN OMALLA VASTUULLASI. HIKMICRO EI OLE MISSÄÄN TAPAUKSESSA VASTUUSSA SINULLE MISTÄÄN TUOTTEEN KÄYTTÄMISEEN LIITTYVISTÄ ERITYISISTÄ, SEURAAMUKSELLISISTA, TAHATTOMISTA TAI EPÄSUORISTA VAHINGOISTA, MUKAAN LUKIEN MUIDEN LISÄKSI LIIKETOIMINNAN TUOTON MENETTÄMINEN, LIIKETOIMINNAN

KESKEYTYMINEN, TIETOJEN MENETTÄMINEN, JÄRJESTELMIEN VAHINGOITTUMINEN, DOKUMENTAATION MENETTÄMINEN, RIIPPUMATTA SIITÄ, ONKO KYSEESSÄ SOPIMUSRIKKOMUS, VAHINKO (MUKAAN LUKIEN HUOLIMATTOMUUS), TUOTEVASTUU TAI MUU, VAIKKA HIKMICROLLE OLISI ILMOITETTU NÄIDEN VAHINKOJEN TAI MENETYSTEN MAHDOLLISUUDESTA. HYVÄKSYT, ETTÄ INTERNET SISÄLTÄÄ LUONNOSTAAN TIETOTURVARISKEJÄ, EIKÄ HIKMICRO OLE VASTUUSSA EPÄNORMAALISTA TOIMINNASTA, YKSITYISTIETOJEN VUOTAMISESTA TAI MUISTA VAHINGOISTA, JOTKA JOHTUVAT TIETOVERKKOHYÖKKÄYKSISTÄ, HAKKERIHYÖKKÄYKSISTÄ, VIRUSTARTUNNASTA TAI MUISTA TIETOTURVARISKEISTÄ, MUTTA HIKMICRO TARJOAA TARVITTAESSA TEKNISTÄ TUKEA.

SUOSTUT KÄYTTÄMÄÄN TÄTÄ TUOTETTA KAIKKIEN SOVELLETTAVISSA OLEVIEN LAKIEN MUKAISESTI, JA OLET YKSIN VASTUUSSA SEN VARMISTAMISESTA, ETTÄ KÄYTTÖSI NOUDATTAO SOVELLETTAVISSA OLEVAA LAKIA. OLET ERITYISESTI VASTUUSSA TÄMÄN TUOTTEEN KÄYTTÄMISESTÄ SELLAISELLA TAVALLA, ETTÄ KÄYTTÖ EI RIKO KOLMANSIEN OSAPUOLTEN OIKEUKSIA, MUKAAN LUKIEN MUTTA NÄIHIN RAJOITTUMATTA, JULKAISUOIKEUS, IMMATERIAALIOIKEUDET TAI TIETOSUOJA JA MUUT YKSITYISYYDEN SUOJAT. SINULLA EI OLE LUPAA KÄYTTÄÄ TÄTÄ TUOTETTA MIHINKÄÄN KIELLETTYYN TARKOITUKSEEN, MUKAAN LUKIEN JOUKKOTUHOASEIDEN KEHITYS TAI TUOTANTO, KEMIAALLISTEN TAI BIOLOGISTEN ASEIDEN KEHITYS TAI TUOTANTO TAI MIHINKÄÄN TOIMINTOIHIN, JOTKA LIITTYVÄT MIHINKÄÄN YDINASEESEEN TAI VAARALLISEEN YDINPOLTTOAINEKIERTOON TAI IHMISOIKEUKSIEN RIKKOMISEN TUKEMISEEN. MIKÄLI TÄMÄ KÄYTTÖOPAS JA SOVELLETTAVA

LAKI OVAT RISTIRIIDASSA, SOVELLETAAN
JÄLKIMMÄISTÄ.

Sääntelyä koskevat tiedot

**Nämä ehdot koskevat vain tuotteita, joissa on
vastaava merkit tai tiedot.**

EU-vaatimustenmukaisuusvakuutus



Tämä tuote ja mahdolliset
lisävarusteet on merkitty CE-
merkinnällä ja noudattavat

sovellettavia yhdenmukaistettuja
eurooppalaisia standardeja, jotka on lueteltu
direktiivissä 2014/30/EU (EMCD), direktiivissä
2014/35/EU (LVD) ja direktiivissä 2011/65/EU
(RoHS).



Direktiivi 2012/19/EU (WEEE-
direktiivi): Tällä symbolilla merkittyjä
tuotteita ei saa hävittää
lajittelemattoman

yhdyksuntajätteen mukana

Euroopan unionissa. Kierrätä tuote
asianmukaisesti palauttamalla se paikalliselle
myyjälle vastaavan uuden laitteen
hankkimisen yhteydessä tai viemällä se
asianmukaiseen keräyspisteeseen. Lisätietoja:
www.recyclethis.info



Direktiivi 2006/66/EY ja sen muutosdirektiivi
2013/56/EU (paristodirektiivi): Tässä
tuotteessa on paristo tai akku, jota
ei saa hävittää lajittelemattoman
yhdyksuntajätteen mukana

Euroopan unionissa. Lisätietoja paristosta tai
akusta on tuotteen asiakirjoissa. Paristo tai
akku on merkitty tällä symbolilla, ja siihen voi
sisältyä käytetyn aineen eli kadmiumin (Cd),
lyijyn (Pb) tai elohopean (Hg) kirjainmerkintä.
Kierrätä paristo tai akku asianmukaisesti
viemällä se myyjälle tai asianmukaiseen
keräyspisteeseen. Lisätietoja:

www.recyclethis.info

Käytä pätevän valmistajan toimittamaa
virtasovitinta. Tuotteen teknisissä tiedoissa
on lisätietoa virtaa koskevista vaatimuksista.
Käytä pätevän valmistajan toimittamaa akkua.
Tuotteen teknisissä tiedoissa on lisätietoa
akkua koskevista vaatimuksista.

Turvallisuusohjeet

Näiden ohjeiden tarkoituksena on varmistaa,
että käyttäjä voi käyttää laitetta oikein ja välttää
vaaratilanteet tai omaisuusvahingot.

Lait ja määräykset

Laitetta tulee käyttää paikallisten lakien,
sähköturvallisuutta koskevien määräysten ja
palontorjuntamääräysten mukaisesti.

Kuljetus

- Säilytä laitetta alkuperäispakkauksessaan tai
sitä vastaavassa pakkauksessa, kun kuljetat
sitä.
- Säilytä kaikki pakkaukset myöhempää käyttöä
varten. Jos laitteeseen tulee vika, laite on

palautettava tehtaalle
alkuperäispakkauksessaan.

- Kuljettaminen muussa kuin
alkuperäispakkauksessa voi johtaa laitteen
vahingoittumiseen, eikä yritys ota siitä mitään
vastuuta.
- Älä pudota tuotetta tai altista sitä iskuille.
Pidä laite loitolla magneettisesta liitännästä.

Virtalähde

- Laturi on hankittava erikseen. Tulojännitteen
on vastattava LPS-virtalähteelle (12 V DC)
asetettuja vaatimuksia standardin IEC62368
mukaan. Lisätietoa on tuotteen teknisissä
tiedoissa.
- Varmista, että pistoke on liitetty oikein
pistorasiaan.
- Pistorasian tulee sijaita lähellä laitetta ja
siihen tulee päästä helposti käsiksi.
- ÄLÄ liitä useita laitteita samaan
virtasovittimeen ylikuormituksesta
aiheutuvan tulipalovaaran välttämiseksi.
- ÄLÄ kosketa tulojen paljaita
metallikoskettimia sen jälkeen, kun
suojakatkaisija on kytketty pois päältä.
Sähkövirta on vielä olemassa.
- + ilmaisee laitteen positiivista liitäntää, jota
käytetään tasavirran kanssa tai sen
tuottamiseen. - ilmaisee laitteen negatiivista
liitäntää, jota käytetään tasavirran kanssa tai
sen tuottamiseen.
- Varmista liitäntöjen oikea johdotus
vaihtovirtalähteeseen yhdistämistä varten.

Akku

- Räjähdyksenvaara, jos akku vaihdetaan väärän
tyyppiseen. Hävitä käytetyt paristot ja akut
ohjeiden mukaisesti.
- Sisäänrakennettua akkua ei voi irrottaa. Ota
yhteyttä valmistajaan, jos se vaatii korjauksia.
- Kun akkua varastoidaan pitkän aikaa,
varmistaa, että se ladataan täyteen puolen
vuoden välein. Näin varmistetaan akun
suorituskyvyn säilyminen. Muuten voi syntyä
vahinkoja.
- Laite ei sovellu käytettäväksi paikoissa, joissa
voi olla lapsia.
- Akun vaihtaminen väärän tyyppiseen voi
tehdä suojaukset tehottomiksi (esimerkiksi
tiettyillä litiumakkutyypeillä).
- ÄLÄ hävitä akkua tuleen tai kuumaan uuniin
tai murskaa tai leikkaa akkua mekaanisesti,
sillä ne voivat aiheuttaa räjähdysten.
- ÄLÄ jätä akkua erittäin korkean lämpötilan
ympäristöön, sillä se voi aiheuttaa
räjähdysten tai syttyvän nesteiden tai kaasun
vuotamisen.
- ÄLÄ altista akkua erittäin matalalle
ilmanpaineelle, sillä se voi aiheuttaa
räjähdysten tai syttyvän nesteiden tai kaasun
vuotamisen.

Asennus

- Asenna laite tämän oppaan käyttöohjeiden
mukaisesti.
- Tämä laite on kiinnitettävä tukevasti kattoon

tai seinään asennusohjeiden mukaisesti loukkaantumisten välttämiseksi.

- Älä koskaan aseta laitetta epävakaa alustalle. Laite voi pudota ja aiheuttaa vakavan henkilövahingon tai kuoleman.
- Laite on tarkoitettu käytettäväksi vain vastaavien telineiden kanssa. Käyttäminen muiden (vaunujen, telineiden tai kuljettimien) kanssa voi aiheuttaa epävakautta, joka johtaa tapaturmaan.
- Laitteen kantavuus on kolme kertaa oman painonsa verran, kuitenkin kannettavan painon tulee olla vähintään 50 N. Laitteen ja siihen liittyvien kiinnitysvälineiden tulee pysyä lujasti paikoillaan asennuksen aikana.
- Laitteen kokoonpano, mukaan lukien siihen liittyvä kiinnityslevy, ei saa vaurioitua asennuksen jälkeen.

Järjestelmän turvallisuus

- Hyväksyt, että internet sisältää luonnostaan tietoturvariskejä, eikä yrityksemme ole vastuussa epänormaalista toiminnasta, yksityistietojen vuotamisesta tai muista vahingoista, jotka johtuvat tietoverkkohyökkäyksistä, hakkerihyökkäyksistä, mutta yrityksemme tarjoaa tarvittaessa teknistä tukea.
- Huolehdi henkilötietojen suojauksesta ja tietoturvasta, sillä laite saattaa kohdata verkon tietoturvaongelmia, kun se on yhdistettynä internetiin. Ota meihin yhteyttä, kun laitteessa voi olla verkon tietoturvariskejä.
- Muista, että sinulla on vastuu kaikkien laitteen salasanojen ja muiden tietoturva-asetusten määrittämisestä sekä käyttäjänimen ja salasanan säilyttämisestä.


Kunnossapito

- Jos tuote ei toimi oikein, ota yhteys jälleenmyyjään tai lähimpään huoltokeskukseen. Emme ole vastuussa ongelmista, jotka johtuvat luvattomista korjaus- tai huoltotöistä.
- Jotkut osat (esim. elektrolyyttikondensaattori) on vaihdettava säännöllisesti. Keskimääräinen käyttöikä vaihtelee, joten on suositeltavaa suorittaa tarkastuksia aika ajoin. Ota yhteyttä jälleenmyyjään saadaksesi lisätietoja.
- Pyyhi laitteen pinnat varovaisesti puhtaalla liinalla ja tarvittaessa pienellä määrällä etanolia.
- Jos laitetta käytetään muulla kuin valmistajan

määrittämällä tavalla, laitteen tarjoama suojaus saattaa heikentyä.

- Tulipalovaaran vähentämiseksi vaihda ainoastaan samantyyppiseen ja -arvoiseen sulakkeeseen.
- Laitteen sarjaporttia käytetään vain virhekorjaukseen.
- Irrota virtalähde huoltotoimenpiteiden ajaksi.

Käyttöympäristö

- Varmista, että käyttöympäristö täyttää laitteelle määritetyt vaatimukset. Käyttölämpötila on $-20\text{ °C} - 50\text{ °C}$ ($-4\text{ °F} - 122\text{ °F}$), ja käyttöympäristön ilmankosteus saa olla enintään 95 %, ei kondensoituvaa.
- ÄLÄ altista laitetta suurelle sähkömagneettiselle säteilylle tai pölyiselle ympäristölle.
- ÄLÄ suuntaa objektiivia aurinkoon tai muuhun kirkkaaseen valoon.
- Älä altista laitetta pisaroille tai roiskeille, äläkä aseta nesteillä täytettyjä esineitä, kuten maljakoita, laitteen päälle.
- Älä aseta avotulta, kuten palavia kynttilöitä, laitteen päälle.
- Varo polttamasta sormia, kun käsittelet osia, joissa on symboli . Odota puoli tuntia virran katkaisemisen jälkeen ennen kuin käsittelet näitä osia.

Hätä

- Jos laitteesta erittyy savua tai hajua tai laite pitää ääntä, kytke laitteen virta pois päältä, irrota virtajohto ja ota yhteyttä palvelukeskukseen.

Valmistajan osoite

Huone 313, yksikkö B, rakennus 2, 399 Danfeng-tie, Xixing-alapiirikunta, Binjiang-piirikunta, Hangzhou, Zhejiang 310052, Kiina
Hangzhou Microimage Software Co., Ltd.

VAATIMUSTENMUKAISUUSILMOITUS:

Lämpöteknologiatuotteisiin saattaa kohdistua vientivalvontaa eri maissa tai alueilla, mukaan lukien rajoituksetta Yhdysvallat, Euroopan unioni, Yhdistynyt kuningaskunta ja/tai muut Wassenaarin järjestelyn jäsenmaat. Neuvottele oikeudellisen asiantuntijan tai vaatimustenmukaisuusasiiantuntijan tai paikallisen viranomaisen kanssa saadaksesi tietoja vientilupavaatimuksista, jos aiot siirtää, viedä tai jälleenviedä lämpöteknologiatuotteita eri maihin.

Svenska



Produktens utseende är enbart avsett som referens och kan skilja sig från den faktiska produkten.

Gränssnitt och knappar – Sida A

Nr.	Funktion	Nr.	Funktion
1	Mikrofon	6	Nätverkskabel
2	Värmeobjektiv	7	Strömkabel
3	Fack för microSD-kort	8	RS-485 och larmgränssnitt
4	Återställningsknapp	9	Högtalare
5	Serieport		

Obs:

Utrustningens serieport är endast avsedd för felsökning.

**Den här enheten kan upptäcka fall inom ett upptäckningsavstånd på 4 m. Som en hjälpmedel enhet kan inte den här enheten garantera att alla fall kan upptäckas inom dess sikt. Falldetektion kan vara påverkad av speciella förhållanden. För att säkerställa detektionstillförlitlighet, rekommenderas att denna enhet monteras på en invändig vägg på en monteringshöjd av 2,7 m. Var god säkerställ att inga spegar, metallobjekt eller andra hinder förekommer direkt framför enheten.*

Bruksanvisning

För mer information, se enhetens användarhandbok.



© 2022 Hangzhou Microimage Software Co., Ltd. Alla rättigheter förbehålles.

Om bruksanvisningen

Bruksanvisningen innehåller anvisningar för användning och underhåll av produkten. Bilder, diagram och illustrationer och all övrig information är enbart avsedda som beskrivningar och förklaringar. Informationen i bruksanvisningen kan, utan föregående meddelande, komma att ändras, vid uppgradering av fast programvara eller av andra skäl. Den senaste versionen av bruksanvisningen finns på HIKMICRO:s webbplats (www.hikmicrotech.com/).

Använd bruksanvisningen tillsammans med vägledning och assistans från yrkespersoner som utbildats i att ge stöd för produkten.

Varumärken



och övriga varumärken och logotyper för HIKMICRO tillhör HIKMICRO i olika jurisdiktioner.

Andra varumärken och logotyper som omnämns är respektive ägares egendom.

FRISKRIVNING

BRUKSANVISNINGEN OCH DEN PRODUKT SOM BESKRIVS, MED DESS HÅRDVARA, MJUKVARA OCH FASTA PROGRAMVARA TILLHANDAHÅLLES "I BEFINTLIGT SKICK" OCH "MED ALLA FEL OCH BRISTER" SÅ LÅNGT DETTA ÄR TILLÅTET ENLIGT TILLÄMPLIG LAGSTIFTNING. HIKMICRO UTFÄRDAR INGA GARANTIER, VARKEN UTTRYCKLIGA ELLER UNDERFÖRSTÅDDA, INKLUDERANDE UTAN BEGRÄNSNING, FÖR SÄLJBARHET, TILLFREDSSTÄLLANDE KVALITET ELLER LÄMPLIGHET FÖR ETT VISST ÄNDAMÅL. ANVÄNDNING AV PRODUKTEN SKER HELT PÅ EGEN RISK. DU SKA INTE UNDER NÅGRA

OMSTÄNDIGHETER HÅLLA HIKMICRO ANSVARIGA FÖR NÅGRA SÄRSKILDA SKADOR, FÖLJSKADOR ELLER INDIREKTA SKADOR, INKLUSIVE, BLAND ANNAT SKADESTÅND FÖR FÖRLORAD AFFÄRSVINST, VERKSAMHETSSTÖRNING, FÖRLUST AV DATA ELLER DOKUMENTATION, OAVSETT OM DETTA BASERAS PÅ AVTALSBRÖTT, ÅTALBAR HANDLING (INKLUSIVE FÖRSUMLIGHET), PRODUKTANSVAR ELLER ANNAT I SAMBAND MED ANVÄNDNINGEN AV PRODUKTEN, ÄVEN OM HIKMICRO HAR MEDDELATS ATT RISKEN FÖR SÅDANA SKADOR ELLER FÖRLUSTER FÖRELIGGER.

DU BEKRÄFTAR ATT INTERNETS NATUR INNEBÄR INBYGGDA SÄKERHETSRISKER OCH HIKMICRO TAR INGET ANSVAR FÖR ONORMAL ANVÄNDNING, INTEGRITETSLÄCKOR ELLER ANDRA SKADOR SOM ORSAKAS AV CYBERATTACKER, HACKERATTACKER, VIRUSINFEKTION ELLER ANDRA SÄKERHETSRISKER MED INTERNET. HIKMICRO KOMMER DOCK ATT TILLHANDAHÅLLA LÄMPLIG TEKNISK SUPPORT OM SÅ KRÄVS.

DU ACCEPTERAR ATT ANVÄNDA PRODUKTEN I ENLIGHET MED ALLA TILLÄMPLIGA LAGAR OCH DU ÄR ENSAMT ANSVARIG FÖR ATT SÄKERSTÄLLA ATT DIN ANVÄNDNING EFTERLEVER TILLÄMPLIGA LAGAR. DU ÄR I SYNNERHET ANSVARIG FÖR ATT ANVÄNDA PRODUKTEN PÅ ETT SÅDANT SÄTT ATT DEN INTE INKRÄKTAR PÅ NÅGRA RÄTTIGHETER SOM ÄGS AV TREDJE PART, INKLUSIVE UTAN BEGRÄNSNING, RÄTTEN TILL PUBLICERING, IMMATERIELLA RÄTTIGHETER, SAMT DATASKYDD OCH ANDRA INTEGRITETSRÄTTIGHETER. DU FÅR INTE ANVÄNDA PRODUKTEN FÖR NÅGRA FÖRBJUDNA SLUTANVÄNDNINGAR, INKLUSIVE UTVECKLING ELLER PRODUKTION AV MASSFÖRSTÖRELSEVAPEN, UTVECKLING ELLER PRODUKTION AV KEMISKA ELLER BIOLOGISKA STRIDSMEDEL, ELLER NÅGRA AKTIVITETER SOM ÄR RELATERADE TILL NUKLEÄRA SPRÄNGMEDEL ELLER OSÄKRA NUKLEÄRA BRÄNSLECYKLER, ELLER SOM STÖD FÖR ÖVERGREPP AV MÄNSKLIGA RÄTTIGHETER.

I DE FALL INNEHÅLLET I BRUKSANVISNINGEN STÅR I KONFLIKT MED TILLÄMPLIGA LAGAR, GÄLLER DE SISTNÄMNDNA.

Föreskrifter

Dessa klausuler gäller endast produkterna som är märkta med motsvarande märke eller information.

Deklaration om EU-överensstämmelse



Produkten och, om tillämpligt, även de medföljande tillbehören är CE-märkta och överensstämmer därför med harmoniserade europeiska standarder i direktivet 2014/30/EU (EMCD), direktivet

2014/35/EU (LVD) och direktivet 2011/65/EU (RoHS).



Direktiv 2012/19/EU (WEEE-direktivet): Produkter märkta med denna symbol får inte kastas som osorterat hushållsavfall inom EU. För lämplig återvinning ska produkten återlämnas till din lokala återförsäljare vid inköp av motsvarande ny utrustning eller lämnas in på en särskild återvinningsstation. Mer information finns på:

www.recyclethis.info



Direktiv 2006/66/EG och dess ändring 2013/56/EU (batteridirektivet): Produkten innehåller ett batteri som inte får avfallshanteras som osorterat hushållsavfall inom EU. Se produktdokumentationen för specifik information om batteriet. Batteriet är märkt med denna symbol som kan innehålla bokstäver för att indikera kadmium (Cd), bly (Pb) eller kvicksilver (Hg). Batteriet ska återlämnas till din återförsäljare eller lämnas in på en särskild återvinningsstation, för korrekt återvinning. Mer information finns på:

www.recyclethis.info

Använd strömadaptern som tillhandahålls av en behörig tillverkare. Se produktspecifikationen för detaljerade effektbehov.

Använd batteriet som tillhandahålls av en behörig tillverkare. Se produktens specifikation för detaljerade krav på batteriet.

Säkerhetsanvisningar

Anvisningarna är avsedda att säkerställa att användaren kan använda produkten på korrekt sätt för att undvika fara eller förlust av egendom.

Lagar och regler

Enheten ska användas i överensstämmelse med lokala bestämmelser, elsäkerhetsföreskrifter och brandskyddsföreskrifter.

Transport

- Förvara enheten i ursprungsförpackningen eller en liknande förpackning vid transport.
- Behåll allt emballagematerial efter att det packats upp för framtida användning. Vid eventuella fel måste du returnera enheten till fabriken med det ursprungliga emballagematerialet.
- Transport utan det ursprungliga emballagematerialet kan resultera i att enheten skadas och företaget påtar sig inget ansvar.
- Produkten får inte tappas eller utsättas för fysiska stötar. Håll enheten borta från magnetiska störningar.

Strömförsörjning

- Köp laddaren själv. Ingångsspänningen ska överensstämma med begränsad strömkälla (12 VDC) enligt IEC62368-standard. Se de

tekniska specifikationerna för detaljerad information.

- Kontrollera att kontakten är ordentligt ansluten till eluttaget.
- Eluttaget måste finnas i närheten av utrustningen och vara lättillgängligt.
- Anslut INTE flera enheter till en och samma strömadapter, för att undvika överhettning eller brandfara som orsakas av överbelastning.
- Vidrör INTE metallkontaktarna när strömbrytaren har slagits av. De är fortfarande elektrifierade.
- + identifierar pluspolen på utrustningen som används med, eller genererar likström. - identifierar minuspolen på utrustningen som används med, eller genererar likström.
- Kontrollera att anslutningarna för nätspänningen är korrekt utförda.

Batteri

- Risk för explosion om batteriet ersätts med en felaktig typ. Förbrukade batterier ska avfallshanteras i enlighet med anvisningarna.
- Det inbyggda batteriet går inte att demontera. Kontakta tillverkaren för reparation om så behövs.
- Säkerställ vid långtidsförvaring av batteriet att det laddas upp helt en gång i halvåret så att batteriets kvalitet bevaras. Annars kan skador uppstå.
- Utrustningen är inte lämplig för användning på platser där det kan finnas barn.
- Ersättning av batteriet med en felaktig typ kan kringgå en skyddsfunktion (exempelvis med vissa typer av litiumbatterier).
- Batteriet får INTE kastas på en öppen eld eller i en varm ugn eller krossas och skäras, då detta kan orsaka en explosion.
- Batteriet får INTE lämnas i en miljö med extremt höga temperaturer, då detta kan medföra explosion och/eller läckage av brännbar vätska eller gas.
- Batteriet får INTE utsättas för extremt lågt lufttryck, då detta kan resultera i en explosion och/eller läckage av brännbar vätska eller gas.

Installation

- Montera utrustningen i enlighet med anvisningarna i bruksanvisningen.
- För att förhindra skador, måste utrustningen fästas ordentligt i tak/väggen enligt monteringsanvisningarna.
- Placera aldrig utrustningen på ett instabilt underlag. Utrustningen kan falla och orsaka allvarliga personskador och/eller livsfara.
- Utrustningen får endast användas med motsvarande fästen. Användning med andra (kärnor, stativ eller hållare) kan resultera i instabilitet som orsakar personskada.
- Den extra kraften måste motsvara tre gånger utrustningens vikt men får inte vara mindre än 50 N. Utrustningen och dess tillhörande monteringsmaterial ska fästas vid monteringen.

- Efter monteringen får utrustningen, inklusive tillhörande monteringsplatta, inte vara skadad.


Systemsäkerhet

- Du bekräftar att internets natur är förenad med säkerhetsrisker och vårt företag tar inget ansvar för onormal användning, integritetsläckor eller andra skador som orsakas av cyberattacker eller hackerattacker. Vårt företag kommer dock att tillhandahålla lämplig teknisk support om så krävs.
- Du måste ha skydd för personuppgifter och datasäkerhet eftersom enheten kan ställas inför nätverkssäkerhetsproblem när den ansluts till internet. Kontakta oss om enheten kan vara utsatt för nätverkssäkerhetsrisker.
- Du måste vara införstådd med att det är ditt ansvar att konfigurera alla lösenord och andra säkerhetsinställningar för enheten samt hålla ditt användarnamn och lösenord skyddade.

Underhåll

- Kontakta din återförsäljare eller närmaste servicecenter, om produkten inte fungerar som den ska. Vi åtar oss inget ansvar för problem som orsakats av obehörig reparation eller obehörigt underhåll.
- Vissa enhetskomponenter (t.ex. elektrolytkondensator) måste bytas ut regelbundet. Den genomsnittliga livslängden varierar, så regelbundna kontroller rekommenderas. Kontakta din återförsäljare för att få mer information.
- Torka försiktigt av enheten med en ren trasa och en liten mängd etanol, vid behov.
- Om utrustningen används på ett sätt som inte anges av tillverkaren kan det skydd som ges av enheten försämrats.
- För att minska risken för brandfara måste säkringen ersättas med en säkring av samma typ och kapacitet.
- Utrustningens serieport är endast avsedd för felsökning.
- Koppla bort strömkällan under service.

Användningsmiljö

- Se till att driftmiljön motsvarar enhetens krav. Drifttemperaturen måste vara -20 °C till 50 °C (-4 °F till 122 °F), och luftfuktigheten lägre än 95 %, icke kondenserande.
- Enheten får INTE utsättas för kraftig elektromagnetisk strålning eller dammiga miljöer.
- Objektivet får INTE riktas mot solen eller andra starka ljuskällor.
- Utrustningen får inte utsättas för dropp eller stänk, och inga föremål fyllda med vatten, såsom exempelvis vaser, får placeras på utrustningen.
- Ingen öppen eld, som t.ex. tända ljus, får placeras på utrustningen.
- Du kan bränna fingrarna på delar med symbolen . Vänta en halvtimme efter att ha slagit av enheten innan du hanterar delarna.

Nöd

- Om det kommer rök, lukt eller ljud från enheten, stäng omedelbart av strömmen, koppla från strömkabeln och kontakta servicecentret.

Tillverkarens adress

Rum 313, Enhet B, Byggnad 2, 399 Danfengvägen, Underdistriktet Xixing, Distriktet Binjiang, Hangzhou, Zhejiang 310052, Kina
Hangzhou Microimage Software Co., Ltd.

FÖRSÄKRAN OM ÖVERENSSTÄMMELSE:

Produkter i den termiska serien kan vara föremål för exportkontroller i olika länder eller regioner, inklusive utan begränsning, USA, Europeiska unionen, Förenade kungariket och/eller andra länder som skrivit under Wassenaar-avtalet. Rådgör med en professionell juridisk konsult, en expert på regelefterlevnad eller lokala myndigheter avseende krav på exportlicenser om du har för avsikt att överföra, exportera eller vidareexportera produkter i den termiska serien mellan olika länder.

Русский



Внешний вид изделия зависит от конкретной модели. Рисунки приведены только для справки.

Интерфейс и кнопки - стр. А

№	Функционирование	№	Функционирование
1	Микрофон	6	Сетевой кабель
2	Тепловизионный объектив	7	Кабель питания
3	Гнездо для карты microSD	8	Интерфейсы RS-485 и аварийной сигнализации
4	Кнопка сброса	9	Громкоговоритель
5	Последовательный порт		

Примечание:

Последовательный порт оборудования предназначен только для отладки.

**Настоящее устройство может определять ослабления сигнала в пределах расстояния обнаружения 4 м. Являясь вспомогательным устройством, оно не обеспечивает обнаружение всех ослаблений в пределах этого расстояния. Определенные условия могут негативно влиять на обнаружение ослабления. Для обеспечения точности обнаружения рекомендуется монтировать это устройство на внутренней стене на высоте монтажа 2,7 м. Убедитесь, что напротив этого устройства отсутствуют какие-либо зеркала, металлические изделия и другие препятствия.*

Руководство пользователя

Подробную информацию см. в руководстве пользователя изделия.




© 2022 год, Hangzhou Microimage Software Co., Ltd. Все права защищены.

О данном Руководстве

В Руководстве содержатся инструкции по эксплуатации Изделия. Фотографии, схемы, иллюстрации и прочие материалы приведены исключительно в качестве описаний и пояснений. Информация, приведенная в Руководстве, может быть изменена без предварительного уведомления в связи с обновлением микропрограммы или по другим причинам. Последнюю редакцию настоящего Руководства можно найти на веб-сайте компании HIKMICRO website (www.hikmicrotech.com/). Используйте Руководство под наблюдением специалистов, обученных обслуживанию Изделия.

Торговые марки

 и все другие торговые марки и логотипы HIKMICRO являются собственностью компании HIKMICRO в различных юрисдикциях.

Другие товарные знаки и логотипы, упоминаемые в Руководстве, являются собственностью соответствующих владельцев.

ОГРАНИЧЕНИЕ ОТВЕТСТВЕННОСТИ

В МАКСИМАЛЬНОЙ СТЕПЕНИ, РАЗРЕШЕННОЙ ДЕЙСТВУЮЩИМ ЗАКОНОДАТЕЛЬСТВОМ, ДАННОЕ РУКОВОДСТВО И ОПИСАНИЕ ИЗДЕЛИЯ ВМЕСТЕ С АППАРАТНОЙ ЧАСТЬЮ, ПРОГРАММНЫМ ОБЕСПЕЧЕНИЕМ И ВСТРОЕННОЙ МИКРОПРОГРАММОЙ ПРЕДОСТАВЛЯЕТСЯ ПО ПРИНЦИПУ «КАК ЕСТЬ» И «СО ВСЕМИ НЕПОЛАДКАМИ И ОШИБКАМИ». HIKMICRO НЕ ДАЕТ НИКАКИХ ЯВНЫХ ИЛИ ПОДРАЗУМЕВАЕМЫХ ГАРАНТИЙ, В ТОМ ЧИСЛЕ ГАРАНТИЙ ТОВАРНОЙ ПРИГОДНОСТИ, УДОВЛЕТВОРИТЕЛЬНОГО КАЧЕСТВА ИЛИ ПРИГОДНОСТИ ДЛЯ КОНКРЕТНЫХ ЦЕЛЕЙ. ПОТРЕБИТЕЛЬ ИСПОЛЬЗУЕТ ИЗДЕЛИЕ НА СВОЙ СТРАХ И РИСК. НИ ПРИ КАКИХ ОБСТОЯТЕЛЬСТВАХ КОМПАНИЯ HIKMICRO НЕ НЕСЕТ ОТВЕТСТВЕННОСТИ ПЕРЕД ПОТРЕБИТЕЛЕМ ЗА КАКОЙ-ЛИБО СЛУЧАЙНЫЙ ИЛИ КОСВЕННЫЙ УЩЕРБ, ВКЛЮЧАЯ, СРЕДИ ПРОЧЕГО, УБЫТКИ ИЗ-ЗА ПОТЕРИ ПРИБЫЛИ, ПЕРЕРЫВОВ В ДЕЯТЕЛЬНОСТИ, ПОТЕРИ ДАННЫХ ИЛИ ДОКУМЕНТАЦИИ, ПОВРЕЖДЕНИЯ СИСТЕМ, БУДЬ ТО ПО ПРИЧИНЕ НАРУШЕНИЯ ДОГОВОРА, ПРОТИВОПРАВНЫХ ДЕЙСТВИЙ (В ТОМ ЧИСЛЕ ХАЛАТНОСТИ), УЩЕРБА ВСЛЕДСТВИЕ ИСПОЛЬЗОВАНИЯ ИЗДЕЛИЯ ИЛИ ИНОГО В СВЯЗИ С ИСПОЛЬЗОВАНИЕМ ДАННОГО ИЗДЕЛИЯ, ДАЖЕ ЕСЛИ КОМПАНИИ HIKMICRO БЫЛО ИЗВЕСТНО О ВОЗМОЖНОСТИ ТАКОГО УЩЕРБА. ПОТРЕБИТЕЛЬ ОСОЗНАЕТ, ЧТО ИНТЕРНЕТ ПО

СВОЕЙ ПРИРОДЕ ЯВЛЯЕТСЯ ИСТОЧНИКОМ ПОВЫШЕННОГО РИСКА БЕЗОПАСНОСТИ И КОМПАНИЯ HIKMICRO НЕ НЕСЕТ ОТВЕТСТВЕННОСТИ ЗА СБОИ В РАБОТЕ ОБОРУДОВАНИЯ, УТЕЧКУ ИНФОРМАЦИИ И ДРУГОЙ УЩЕРБ, ВЫЗВАННЫЙ КИБЕРАТАКАМИ, ХАКЕРАМИ, ВИРУСАМИ ИЛИ СЕТЕВЫМИ УГРОЗАМИ; ОДНАКО НАША КОМПАНИЯ ОБЕСПЕЧИВАЕТ СВОЕВРЕМЕННУЮ ТЕХНИЧЕСКУЮ ПОДДЕРЖКУ, ЕСЛИ ЭТО НЕОБХОДИМО. ПОТРЕБИТЕЛЬ СОГЛАШАЕТСЯ ИСПОЛЬЗОВАТЬ ДАННОЕ ИЗДЕЛИЕ В СООТВЕТСТВИИ СО ВСЕМИ ПРИМЕНИМЫМИ ЗАКОНАМИ И НЕСЕТ ЛИЧНУЮ ОТВЕТСТВЕННОСТЬ ЗА ИХ СОБЛЮДЕНИЕ. В ЧАСТНОСТИ, ПОТРЕБИТЕЛЬ НЕСЕТ ОТВЕТСТВЕННОСТЬ ЗА ИСПОЛЬЗОВАНИЕ ДАННОГО ИЗДЕЛИЯ БЕЗ НАРУШЕНИЯ ПРАВ ТРЕТЬИХ ЛИЦ, В ТОМ ЧИСЛЕ ПРАВ ПУБЛИЧНОСТИ, ИНТЕЛЛЕКТУАЛЬНОЙ СОБСТВЕННОСТИ И ЗАЩИТЫ ДАННЫХ. ПОТРЕБИТЕЛЬ ОБЯЗУЕТСЯ НЕ ИСПОЛЬЗОВАТЬ ЭТО ИЗДЕЛИЕ В ЗАПРЕЩЕННЫХ ЦЕЛЯХ, В ТОМ ЧИСЛЕ ДЛЯ РАЗРАБОТКИ ИЛИ ПРОИЗВОДСТВА ОРУЖИЯ МАССОВОГО УНИЧТОЖЕНИЯ, ХИМИЧЕСКОГО ИЛИ БИОЛОГИЧЕСКОГО ОРУЖИЯ, ОСУЩЕСТВЛЕНИЯ КАКОЙ-ЛИБО ДЕЯТЕЛЬНОСТИ В КОНТЕКСТЕ ЯДЕРНОГО ОРУЖИЯ, НЕБЕЗОПАСНЫХ ОПЕРАЦИЙ С ЯДЕРНЫМ ТОПЛИВОМ ИЛИ ДЛЯ ПОДДЕРЖКИ НАРУШЕНИЙ ПРАВ ЧЕЛОВЕКА. В СЛУЧАЕ РАЗНОЧТЕНИЙ МЕЖДУ НАСТОЯЩИМ РУКОВОДСТВОМ И ДЕЙСТВУЮЩИМ ЗАКОНОДАТЕЛЬСТВОМ, ПОСЛЕДНЕЕ ИМЕЕТ ПРИОРИТЕТ.

Нормативная информация

Настоящие условия распространяются только на изделия, имеющие соответствующую маркировку или информацию.

Соответствие стандартам ЕС



Настоящее изделие и аксессуары, входящие в комплект его поставки, отмечены символом «CE», который обозначает их соответствие согласованным Европейским стандартам, перечисленным в Директивах 2014/30/EU (EMCD), 2014/35/EU (LVD) и 2011/65/EU (RoHS).



Директива WEEE 2012/19/EU (по утилизации отходов электрического и электронного оборудования): продукты, отмеченные этим символом, запрещено утилизировать в Европейском союзе в качестве несортированных

муниципальных отходов. Для надлежащей переработки возвратите этот продукт местному поставщику после покупки эквивалентного нового оборудования или утилизируйте его в предназначенных для этого пунктах сбора отходов. Для получения дополнительной информации см.: www.recyclethis.info



Директива 2006/66/EU и поправка к ней 2013/56/EU (сведения о батарее): этот продукт содержит батарею, которую запрещено утилизировать в Европейском

союзе в качестве несортированных муниципальных отходов. Для получения точной информации о батарее см. документацию к продукту. Маркировка батареи может включать символы, которые определяют ее химический состав: кадмий (Cd), свинец (Pb) или ртуть (Hg). Для надлежащей утилизации отправьте батарею местному поставщику или утилизируйте ее в специальных пунктах приема отходов. Для получения дополнительной информации см.: www.recyclethis.info

Используйте адаптер питания, предоставленный сертифицированным изготовителем. Требования по электропитанию подробно описаны в технических характеристиках изделия. Используйте батарею, поставляемую сертифицированным изготовителем. Требования к батарее подробно описаны в технических характеристиках изделия.

Инструкции по безопасности

Настоящие инструкции предназначены для того, чтобы пользователь мог правильно использовать устройство, чтобы избежать опасности или потери имущества.

Законодательные акты и нормативные документы

При использовании этого устройства необходимо соблюдать местное законодательство, правила безопасной эксплуатации электрооборудования и правила противопожарной безопасности.

Транспортировка

- Используйте оригинальную или схожую упаковку для транспортировки устройства.
- После распаковки сохраните упаковочные материалы для дальнейшего использования. В случае неисправности вам потребуется вернуть устройство на завод в оригинальной упаковке.
- Транспортировка без оригинальной упаковки может привести к повреждению устройства, и компания не будет нести за это ответственности.
- Не роняйте и не ударяйте устройство. Устройство необходимо размещать вдали от источников электромагнитных помех.

Электропитание

- Приобретите зарядное устройство самостоятельно. Входное напряжение должно соответствовать ограниченному источнику питания (12 В постоянного тока) в соответствии со стандартом IEC62368. Подробная информация приведена в таблице технических данных.
- Убедитесь, что вилка правильно подключена к розетке электропитания.
- Электрическая розетка должна находиться рядом с устройством и должна быть легко доступна.
- Во избежание перегрева или возгорания из-за перегрузки ЗАПРЕЩАЕТСЯ подключать несколько устройств к одному адаптеру питания.
- НЕ ПРИКАСАЙТЕСЬ к оголенным металлическим контактам на входах после отключения автоматического выключателя цепи. На них остается электрический заряд.
- + обозначает положительный контакт оборудования, который должен подключаться к источнику постоянного тока. - обозначает отрицательный контакт оборудования, который должен подключаться к источнику постоянного тока.
- Проверьте правильность подключения клемм к сети переменного тока.

Аккумуляторная батарея

- При установке батареи недопустимого типа существует риск взрыва. Утилизируйте использованные батареи в соответствии с инструкциями.
- Встроенная батарея не подлежит разборке. В случае необходимости ремонта обратитесь к производителю.
- При длительном хранении батареи полностью заряжайте ее каждые полгода, чтобы обеспечить ее работоспособность. В противном случае батарея может выйти из строя.
- Данное устройство не предназначено для использования в тех местах, где могут находиться дети.
- Установка батареи недопустимого типа может создать угрозу для безопасности (например, в случае некоторых типов литиевых батарей).
- НЕ БРОСАЙТЕ батарею в огонь или горячую печь, не сдавливайте и не разрезайте батарею, поскольку это может привести к взрыву.
- Нахождение батареи в среде с чрезвычайно высокой температурой может привести к взрыву или к утечке горючей жидкости или газа.
- Нахождение батареи в среде с чрезвычайно низким давлением воздуха может привести к взрыву или к утечке горючей жидкости или газа.

Установка

- Установите оборудование в соответствии с инструкциями, приведенными в настоящем руководстве.
- Во избежание травм устройство необходимо надежно закрепить на потолке или стене согласно инструкциям по установке.
- Никогда не ставьте устройство на неустойчивую поверхность. Падение устройства на человека может стать причиной серьезных травм или смерти.
- Данное оборудование предназначено для использования только с подходящими кронштейнами. Использование оборудования с другими принадлежностями (тележками, подставками или держателями) может привести к травмам в результате неустойчивости устройства.
- Примечание. Монтажное крепление должно выдерживать трехкратный вес оборудования и действие силы не менее 50 Н. Оборудование и соответствующие средства монтажа должны быть надежно закреплены во время установки.
- После установки осмотрите оборудование и монтажную пластину на предмет повреждений.

Безопасность системы

- Вы осознаете, что интернет по своей природе является источником повышенного риска безопасности, и наша компания не несет ответственности за сбой в работе оборудования, утечку информации и другой ущерб, вызванный кибератаками, хакерами; однако наша компания обеспечивает своевременную техническую поддержку, если это необходимо.
- Обязательно обеспечьте защиту личной информации и безопасность данных, поскольку при подключении устройства к сети Интернет могут возникнуть проблемы, связанные с сетевой безопасностью. Свяжитесь с нами, если при эксплуатации устройства возникает угроза безопасности сети.
- Помните, что вы несете ответственность за конфигурирование всех паролей и прочих параметров безопасности устройства, а также за сохранность своего имени пользователя и пароля.


Техническое обслуживание

- Если изделие не работает должным образом, обратитесь к дилеру или к специалистам ближайшего сервисного центра. Компания-изготовитель не несет ответственности за неисправности, возникшие в результате несанкционированного ремонта или технического обслуживания.
- Некоторые компоненты устройства (например, электролитические

конденсаторы) требуют регулярной замены. Средний срок службы этих компонентов может различаться, поэтому советуем периодически их проверять. Подробности уточняйте у продавца.

- При необходимости осторожно протрите устройство чистой салфеткой, смоченной небольшим количеством этилового спирта.
- Если оборудование используется способом, не указанным производителем, обеспечиваемая устройством безопасность может быть нарушена.
- Для снижения риска возникновения пожара используйте для замены предохранители только соответствующего типа и номинала.
- Последовательный порт оборудования предназначен только для отладки.
- Отключайте источник электропитания перед техническим обслуживанием устройства.

Требования к рабочей среде

- Убедитесь, что рабочая среда удовлетворяет требованиям надлежащей работы устройства. Рабочая температура должна быть в пределах от -20 °C до 50 °C (от -4 °F до 122 °F), а рабочая влажность не должна превышать 95 % (без конденсации).
- ЗАПРЕЩАЕТСЯ устанавливать устройство в условиях воздействия сильного электромагнитного излучения или в пыльной среде.
- НЕ НАПРАВЛЯЙТЕ объектив устройства на солнце или другие яркие источники света.
- Устройство не должно подвергаться воздействию капель и брызг; не допускается ставить на него предметы, наполненные жидкостью, например, вазы с цветами.
- Не ставьте на устройство источники открытого огня, например горящие свечи.
- Опасность ожога пальцев при обращении с деталями, обозначенными символом . Перед прикосновением к деталям устройства подождите полчаса после его выключения.

Кнопка подачи экстренного сигнала тревоги

- Если устройство испускает дым, неприятный запах или шум, незамедлительно отключите электропитание, извлеките шнур питания и обратитесь в сервисный центр.

Адрес производителя

- Комната 313, помещение В, корпус 2, 399 Danfeng Road, район Xixing, округ Binjiang, Hangzhou, Zhejiang 310052, Китай
Компания Hangzhou Microimage Software Co., Ltd.

УВЕДОМЛЕНИЕ О СООТВЕТСТВИИ: В различных странах и регионах, включая США, ЕС, Великобританию и/или другие страны,

подписавшие Вассенарские соглашения, на тепловизионные устройства могут распространяться правила экспортного контроля. При необходимости транспортировки между странами, экспорта или реэкспорта тепловизионных устройств

обратитесь к юристу, специалисту по соблюдению нормативно-правового соответствия или местным органам власти для получения информации о разрешении на экспорт.

Türkçe



Ürün görünümünü sadece referans içindir ve gerçek ürün farklı olabilir.

Arayüz ve Düğme – Sayfa A

No.	Fonksiyon	No.	Fonksiyon
1	Mikrofon	6	Ağ Kablosu
2	Termal Lens	7	Elektrik Kablosu
3	MicroSD Kart Yuvası	8	RS-485 ve Alarm Arayüzü
4	Sıfırlama Düğmesi	9	Hoparlör
5	Seri Port		

Not:

Ekipmanın seri portu sadece hata ayıklama için kullanılır.

**Bu cihaz, düşmeleri 4 m mesafeden tespit edebilir. Bir yardımcı görevi gören bu cihaz, menzildeki tüm düşmelerin tespit edilebileceğini garanti edemez. Düşme tespiti özel durumlarda etkilenebilir. Tespitin doğru bir şekilde yapılması için cihazın 2,7 m montaj yüksekliğine sahip bir iç duvara monte edilmesi önerilmektedir. Lütfen ayna, metal ürün ve başka engellerin doğrudan cihazın önünde bulunmadığından emin olun.*

Kullanım Kılavuzu

Ayrıntılı bilgiler için cihazın kullanıcı kılavuzuna bakın.



© 2022 Hangzhou Microimage Software Co., Ltd. Tüm hakları saklıdır.

Bu Kılavuz hakkında

Kılavuz, Ürünün kullanımı ve yönetimi ile ilgili talimatları içerir. Resimler, çizelgeler, görüntüler ve buradaki diğer tüm bilgiler, yalnızca tanımlama ve açıklama amaçlıdır. Kılavuzda bulunan bilgiler, yazılım güncellemeleri veya

başka nedenlerden dolayı önceden haber verilmeksizin değiştirilebilir. Lütfen bu Kılavuzun en son sürümü için HIKMICRO web sitesine (www.hikmicrotech.com/) bakın.

Lütfen bu Kılavuzu, Ürünü destekleme konusunda eğitilmiş profesyonellerin rehberliği ve yardımı ile kullanın.

Ticari Markalar

ve diğer HIKMICRO ticari markaları ve logoları, çeşitli yargı alanlarında HIKMICRO'nun özellikleridir.

Bahsedilen diğer ticari markalar ve logolar ilgili sahiplerinin mülkiyetindedir.

YASAL UYARI

YÜRÜRLÜKTEKİ YASALARIN İZİN VERDİĞİ AZAMI ÖLÇÜDE, BU KILAVUZ VE AÇIKLANAN ÜRÜN, DONANIMI, YAZILIMI VE ÜRÜN YAZILIMI İLE "OLDUĞU GİBİ" VE "TÜM ARIZALAR VE HATALAR İLE " SAĞLANIR. HIKMICRO, SINIRLAMA, SATILABİLİRLİK, KALİTE MEMNUNİYETİ VEYA BELİRLİ BİR AMACA UYGUNLUK DAHİL, AÇIK VEYA ZİMNİ HİÇBİR GARANTİ VERMEZ. ÜRÜNÜN SİZİN TARAFINIZDAN KULLANIMI KENDİ SORUMLULUĞUNUZDADIR. HIKMICRO HİÇBİR DURUMDA, BU ÜRÜNÜN KULLANIMI İLE BAĞLANTILI OLARAK, HIKMICRO BU TÜR HASARLARIN OLASILIĞI HAKKINDA BİLGİLENDİRİLMİŞ OLSA BİLE, İŞ KARLARININ KAYBI, İŞ KESİNTİSİ, VERİ KAYBI, SİSTEM KESİNTİSİ, BELGE KAYBI, SÖZLEŞMENİN İHLALİ (İHMAL DAHİL), ÜRÜN SORUMLULUĞU GİBİ ZARARLAR DA DAHİL OLMAK ÜZERE, ÖZEL, SONUÇSAL, TESADÜFİ VEYA DOLAYLI ZARARLAR İÇİN SİZE KARŞI SORUMLU OLMAYACAKTIR. HIKMICRO'NUN, İNTERNETİNİN DOĞAL GÜVENLİK RİSKLERİNİN GETİRDİĞİ SİBER SALDIRI, HACKER SALDIRISI, HACKER SALDIRISI, VİRÜS BULAİMASINDAN KAYNAKLANAN ANORMAL ÇALIŞMA, GİZLİLİK SIZINTISI VEYA DİĞER ZARARLARDAN HERHANGİ BİR SORUMLULUK ALMAYACAĞINI KABUL EDİYORSUNUZ; ANCAK HIKMICRO, GEREKİRSE ZAMANINDA TEKNİK DESTEK SAĞLAYACAKTIR. BU ÜRÜNÜ GEÇERLİ TÜM YASALARA UYGUN OLARAK KULLANMAYI KABUL EDİYORSUNUZ VE KULLANIMINIZIN GEÇERLİ YASALARA UYGUN OLMASINI SAĞLAMAKTAN YALNIZCA SİZ SORUMLUSUNUZ. ÖZELLİKLE, BU ÜRÜNÜ, SINIRLAMA OLMAKSIZIN, TANITIM HAKLARI, FİKRİ MÜLKİYET HAKLARI VEYA VERİ KORUMA VE DİĞER GİZLİLİK HAKLARI DA DAHİL OLMAK ÜZERE ÜÇÜNCÜ TARAFLARIN HAKLARINI İHLAL ETMEYECEK ŞEKİLDE KULLANMaktan SİZ SORUMLUSUNUZ. BU ÜRÜNÜ, KİTLE İMHA SİLAHLARININ GELİŞTİRİLMESİ VEYA ÜRETİMİ, KİMYASAL VEYA BİYOLOJİK SİLAHLARIN GELİŞTİRİLMESİ VEYA ÜRETİMİ, HERHANGİ BİR NÜKLEER PATLAYICI VEYA GÜVENLİ OLMAYAN NÜKLEER YAKIT DÖNGÜSÜ İLE İLGİLİ HERHANGİ BİR FAALİYETTE VEYA İNSAN HAKLARI İHLALLERİNİ DESTEKLEMENİN DE DAHİL YASAKLANMIŞ SON KULLANIMLAR İÇİN KULLANAMAZSINIZ.

BU KILAVUZ İLE İLGİLİ YASA ARASINDA HERHANGİ BİR ÇELİŞKİ OLMASI DURUMUNDA, İKİNCİSİ GEÇERLİDİR.

Mevzuat Bilgisi

Bu koşullar yalnızca ilgili işaretleri veya bilgileri taşıyan ürünler için geçerlidir.

AB Uygunluk Beyanı

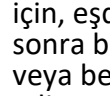


Bu ürün ve (varsa) birlikte verilen aksesuarlar ayrıca "CE" ile işaretlenmiştir ve bu nedenle

2014/30/EU (EMCD) Direktifi, 2014/35/EU (LVD) Direktifi ve 2011/65/EU (RoHS) Direktifi altında listelenen geçerli uyumlaştırılmış Avrupa standartlarına uygundur.



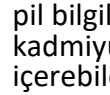
2012/19/EU Direktifi (WEEE direktifi): Bu simgeyle işaretlenen ürünler, Avrupa Birliği'nde ayrıştırılmamış belediye atığı olarak yok edilemez. Doğru geri dönüşüm için, eşdeğer yeni ekipman satın aldıktan sonra bu ürünü yerel tedarikçinize iade edin veya belirtilen toplama noktalarında imha edin. Daha fazla bilgi için bkz:



www.recyclethis.info



2006/66/EC Direktifi ve değişiklik 2013/56/EU (batarya direktifi): Bu ürün, Avrupa Birliği'nde ayrıştırılmamış belediye atığı olarak imha edilemeyen bir pil içerir. Özel pil bilgileri için ürün belgelerine bakın. Pil, kadmiyum (Cd), kurşun (Pb) veya cıva (Hg) içerebildiğini belirtmek bu simgeyle işaretlenmiştir. Doğru geri dönüşüm için pili tedarikçinize veya belirlenmiş bir toplama noktasına iade edin. Daha fazla bilgi için bkz:



www.recyclethis.info

Yetkili bir üretici tarafından sağlanan güç adaptörünü kullanın. Ayrıntılı güç gereksinimleri için ürün özelliklerine bakın. Yetkili üretici tarafından sağlanan pili kullanın. Ayrıntılı pil gereksinimleri için ürün özelliklerine bakın.

Güvenlik Talimatları

Bu talimatlar ile tehlikeleri veya mal kayıplarını önlemek için kullanıcının ürünü doğru şekilde kullanabilmesinin sağlanması amaçlanmıştır.

Yasalar ve Yönetmelikler

Cihaz yerel yasalara, elektrik güvenliği yönetmeliklerine ve yangın önleme yönetmeliklerine uygun şekilde kullanılmalıdır.

Ulaşım

- Cihazı taşıırken orijinal ambalajının veya benzer bir ambalajın içerisine koyun.
- Ambalajından çıkardıktan sonra tüm ambalajları ileride kullanmak üzere saklayın. Herhangi bir arıza meydana gelmesi halinde cihazı orijinal sargısıyla birlikte fabrikaya iade etmeniz gerekir.
- Orijinal ambalajı olmadan taşımak cihaza zarar verebilir bu durumda şirket hiçbir sorumluluk kabul etmeyecektir.
- Ürünü düşürmeyin veya fiziksel darbeye maruz bırakmayın. Cihazı manyetik parazitten uzak tutun.

Güç Kaynağı

- Lütfen şarj cihazını kendiniz satın alın. Giriş voltajı, IEC62368 standardına göre Sınırlı Güç Kaynağını (12 VDC) karşılamalıdır. Ayrıntılı bilgi için lütfen teknik özelliklere bakın.
- Fişin elektrik prizine düzgün şekilde takıldığından emin olun.
- Priz, ekipmanın yakınına kurulmalı ve kolayca erişilebilir olmalıdır.
- Aşırı yükten kaynaklı aşırı ısınmayı veya yangın tehlikelerini önlemek için bir güç kaynağına birden fazla cihaz TAKMAYIN.
- Devre kesici kapatıldıktan sonra girişlerin çıplak metal kontaklarına DOKUNMAYIN. Elektrik hala vardır.
- + simgesi kullanılan veya doğru akım üreten ekipmanın pozitif terminallerini belirtir. - simgesi kullanılan veya doğru akım üreten ekipmanın negatif terminallerini belirtir.
- AC şebeke kaynağına bağlantı için terminallerin doğru kablo tesisatına sahip olduğundan emin olun.

Pil

- Pil yanlış bir türle değiştirildiğinde patlama riski. Bitmiş pilleri yönetmeliklere göre atın.
- Dahili pil sökülemez. Gerekirse onarım için lütfen üreticiyle iletişime geçin.
- Pil uzun süre kullanılmadan saklanacaksa pilin kalitesinin devam ettirilmesi için her altı ayda bir tam olarak şarj edilmesini sağlayın. Aksi takdirde hasar meydana gelebilir.
- Bu ekipman çocukların olma ihtimalinin bulunduğu yerlerde kullanım için uygun değildir.
- Pilin yanlış türde bir pille uygun olmayan şekilde değiştirilmesi korumayı geçersiz hale getirebilir (örneğin, bazı lityum pil türleri).
- Pili ateşe veya sıcak fırına atmayın veya pili mekanik olarak patlayabilecek şekilde ezmeyin veya kesmeyin.
- Pili, patlamaya veya yanıcı sıvı veya gaz sızıntısına neden olabilecek aşırı yüksek sıcaklıktaki bir ortamda bırakmayın.
- Pili, patlamaya veya yanıcı sıvı veya gaz sızıntısına neden olabilecek aşırı düşük hava basıncına maruz bırakmayın.

Kurulum

- Ekipmanı bu kılavuzdaki talimatlara göre kurun.
- Yaralanmaları önlemek için bu ekipman kurulum talimatlarına göre tavana/duvara güvenli bir şekilde takılmalıdır.
- Ekipmanı asla sağlam olmayan bir yere yerleştirmeyin. Ekipmanın düşmesi ciddi kişisel yaralanmalara veya ölüme neden olabilir.
- Bu ekipman sadece ilgili braketler ile kullanım içindir. Başka araçlarla (el arabaları, stantlar veya taşıyıcılar) kullanılması, yaralanmaya neden olabilecek dengesizliğe yol açabilir.
- Ek kuvvet, ekipmanın ağırlığının üç katına eşit olmalı, ancak 50 N'dan az olmamalıdır. Ekipman ve bağlı montaj araçları kurulum

sırasında güvenli kalmalıdır.

- Kurulumdan sonra, ilgili montaj plakası da dahil, ekipman hasar görmemelidir.

Sistem Güvenliği

- İnternetin yapısı nedeniyle güvenlik riskleri barındırdığını ve şirketimizin siber saldırı, bilgisayar korsanı saldırısı veya başka bir internet güvenlik riskinden kaynaklanan anormal çalışma, gizlilik sızıntısı veya başka zararlar için hiçbir sorumluluk almayacağını kabul edersiniz. Ancak şirketimiz gerekirse zamanında teknik destek sağlayacaktır.
- Cihaz internete bağlandığında ağ güvenliği sorunları oluşabileceğinden lütfen kişisel bilgilerin korunduğundan ve veri güvenliği sağlandığından emin olun. Cihazda ağ güvenliği riskleri olduğunda lütfen bizimle iletişime geçin.
- Tüm parolaların ve cihazla ilgili diğer güvenlik ayarlarının yapılandırılması ve kullanıcı adı ile parolasının korunması sorumluluğunun size ait olduğunu lütfen unutmayın.

Bakım

- Ürün düzgün şekilde çalışmıyorsa lütfen bayiinizle veya en yakın servis merkeziyle iletişime geçin. Yetkisiz onarım veya bakımdan kaynaklanan sorunlar için herhangi bir sorumluluk kabul etmeyiz.
- Cihazın birkaç parçası (ör. Elektrolitik kapasitör) düzenli olarak değiştirilmelidir. Ortalama parça ömrü değişiklik göstermektedir bu nedenle periyodik kontrol önerilmektedir. Ayrıntılar için satıcınızla iletişime geçin.
- Cihazı temiz bir bez ve gerekirse az miktarda etanol ile hafifçe silin.
- Ekipman, üretici tarafından belirtilmeyen bir şekilde kullanılırsa cihaz tarafından sağlanan koruma bozulabilir.
- Yangın riskini azaltmak için, sadece aynı tip ve değerde sigorta ile değiştirin.
- Ekipmanın seri portu sadece hata ayıklama için kullanılır.
- Bakım sırasında güç kaynağının bağlantısını kesin.

Kullanma Ortamı

- Çalışma ortamının cihazın gereksinimlerini karşıladığından emin olun. Çalışma sıcaklığı -20°C ila 50°C (-4°F ila 122°F) ve çalışma nemi %95 veya daha az (yoğuşmasız) olmalıdır.
- Cihazı yüksek elektromanyetik radyasyona sahip veya tozlu ortamlarda BULUNDURMAYIN.
- Lensi, güneşe veya herhangi bir parlak ışığa doğru tutmayın.
- Ekipman, damlayan veya sıçrayan sıvılara maruz bırakılmamalı ve ekipmanın üzerine vazo gibi içi sıvı dolu nesnelerin konulmamasına dikkat edilmelidir.
- Ekipmanın üzerine yanan mum gibi açık alev kaynakları konulmamalıdır.
- ⚠ sembolü olan parçaları tuttuğunuzda

parmaklarınız yanabilir. Kapattıktan sonra parçaları tutmadan önce bir buçuk saat bekleyin.

Acil Durum

- Cihazdan duman, koku veya ses geliyorsa hemen gücü kapatarak güç kablosunun bağlantısını kesin ve servis merkeziyle iletişime geçin.

Üretim Adresi

Oda 313, Birim B, Bina 2, 399 Danfeng Caddesi, Xixing Nahiyesi, Binjiang Bölgesi, Hangzhou, Zhejiang 310052, Çin
Hangzhou Microimage Software Co., Ltd.

UYGUNLUK BİLDİRİMİ: Termal serisi ürünler, sınırlama olmaksızın Amerika Birleşik Devletleri, Avrupa Birliği, Birleşik Krallık ve / veya Wassenaar Düzenlemesinin diğer üye ülkeleri dahil olmak üzere çeşitli ülke veya bölgelerde ihracat kontrollerine tabi olabilir. Termal serisi ürünleri farklı ülkeler arasında transfer etmeyi, ihraç etmeyi veya yeniden ihraç etmeyi düşünüyorsanız, lütfen gerekli ihracat lisansı gereklilikleri için profesyonel hukuk veya uyum uzmanınıza veya yerel hükümet yetkililerine danışın.

日本語



製品外観はイメージです。実際の製品と異なる場合があります。

インターフェイスとボタン - ページ A

番号	機能	番号	機能
1	マイク	6	ネットワークケーブル
2	サーマルレンズ	7	電源ケーブル
3	microSD カードスロット	8	RS-485 とアラームインターフェイス
4	リセットボタン	9	スピーカー
5	シリアルポート		

注意：

機器のシリアルポートはデバッグの目的にのみ使用されます。

*検知距離 4m 以内の転倒を検知することができますが、あくまでも補助機器のため、その範囲内のすべての転倒を確実に検知することはできません。特殊な環境では、検知が影響を受ける場合があります。検知精度を確保するには、本機器を高さ 2.7m の屋内壁面に取り付けるようにしてください。また本機器の真正面に鏡や金属製品などの障害物が置かれることのないよう注意してください。

ユーザーマニュアル

詳しい情報については、デバイスのユーザーマニュアルをご覧ください。




© 2022 Hangzhou Microimage Software Co., Ltd. 禁・無断複製。

本マニュアルについて

本マニュアルには製品の使用および管理についての指示が含まれています。ここに記載されている写真、表、画像およびその他すべての情報は説明のみを目的としています。本マニュアルに含まれる情報は、ファームウェア更新やその他の理由で通知なく変更されることがあります。HIKMICRO のサイト (www.hikmicrotech.com/) で、本書の最新版をご覧ください。

本マニュアルは、本製品をサポートする訓練を受けた専門家の指導・支援を受けた上でご使用ください。

商標

 およびその他の HIKMICRO の商標とロゴは、様々な裁判管轄地域における HIKMICRO の所有物です。

言及されているその他の商標およびロゴは、各権利保有者の所有物です。

免責事項

適用法で認められる最大限の範囲で、本マニュアルおよび説明されている製品（ハードウェア、ソフトウェア、および本製品を含む）は、「現状のまま」および「すべての欠陥とエラーがある」状態で提供されます。HIKMICRO では、明示あるいは黙示を問わず、商品性、満足な品質、または特定目的に対する適合性などを一切保証しません。本製品は、お客様の自己責任においてご利用ください。HIKMICRO は、本製品の利用に関連する事業利益の損失や事業妨害、データの損失、システムの障害、文書の損失に関する損害を含む特別、必然、偶発または間接的な損害に対して、それが契約に対する違反、不法行為（過失を含む）、製品の責任または製品の使用に関連するものであっても、たとえ HIKMICRO がそうした損害および損失について通知を受けていたとしても、一切の責任を負いません。

お客様は、インターネットにはその性質上固有のセキュリティリスクがあることを了

解し、異常動作、プライバシーの流出、またはサイバー攻撃、ハッカー攻撃、ウイルス感染等のインターネットセキュリティリスクによる損害について、HIKMICRO は一切責任を負いません。ただし、必要に応じて HIKMICRO は適時技術的サポートを提供します。

お客様には、すべての適用法に従って本製品を利用し、さらにご自分の利用法が適用法を順守していることを確認する責任があります。特に、肖像権、知的財産権、またはデータ保護等のプライバシー権を非限定的に含むサードパーティの権利を侵害しない手段で本製品を利用する責任があります。大量破壊兵器の開発や生産、化学兵器・生物兵器の開発や生産、核爆発物や危険な核燃料サイクル、または人権侵害に資する活動を含む、禁じられている最終用途の目的で本製品を使用してはなりません。本マニュアルと適用法における矛盾がある場合については、後者が優先されます。

規制情報

これらの条項は、対応するマークまたは情報が付された製品にのみ適用されるものとします。

EU 適合宣言



本製品および同梱の周辺機器（適用可能な場合）には「CE」マークが付いており、指令 (2014/30/EU) (EMCD)、指令 (2014/35/EU) (LVD)、および RoHS 指令 (2011/65/EU) に掲げる適用可能な欧州統一基準に準拠します。



指令 2012/19/EU (WEEE 指令)：この記号が付いている製品は、欧州連合 (EU) の地方自治体の未分別廃棄物として処分できません。適切にリサイクルするために、本製品は同等の新しい装置を購入する際に、

お近くの販売業者に返却いただくか、指定された収集場所で処分してください。詳細については次の URL を参照してください：www.recyclethis.info



指令 2006/66/EC およびその修正案 2013/56/EU (バッテリー指令)：本製品には、欧州連合 (EU) の地方自治体の未分別廃棄物として処分できないバッテリーが含まれています。特殊バッテリー情報に関する製品資料をご覧ください。バッテリーにはこの記号が付いており、カドミウム (Cd)、鉛 (Pb)、水銀 (Hg) を示す文字も記載されています。適切にリサイクルするために、販売業者か、指定された収集場所にご返却ください。詳細については次の URL を参照してください：

www.recyclethis.info

正規メーカーより供給された電源アダプターを使用してください。電源の詳細な要件については、製品仕様を参照してください。

認定メーカーのバッテリーをご使用ください。バッテリーの詳細な要件については、製品仕様を参照してください。

安全に関する指示

これらの指示は、ユーザーが製品を正しく使用し、危険や財産損失を回避できるように保証することを目的としています。

法規と規則

本器は、各国の法規、電気安全規則、火災予防規則に準じて使用する必要があります。

輸送

- 輸送中は、デバイスを元のパッケージまたは類似したパッケージに梱包してください。
- 開梱後は、後日使用できるように、梱包材を保存しておいてください。不具合が発生した場合、元の梱包材を使用して工場に機器を返送する必要があります。
- 元の梱包材を使用せずに返送した場合、破損が発生する恐れがありますが、その際に、当社は一切責任を負いません。
- 製品を落下させたり、物理的な衝撃を与えないでください。本器を電磁妨害から遠ざけてください。

電源

- ご自分で充電器をお求めください。入力電圧 IEC62368 規格の限定電源 (12V DC) を満たす必要があります。詳細情報については技術仕様を参照してください。
- プラグが適切に電源ソケットに接続されていることを確認してください。
- ソケットアウトレットは、簡単にアクセスできるように、機器の近くに取り付けてください。
- 1 台の電源アダプターに 2 台以上の機器を接続してはなりません。過負荷によって

過熱したり、火災発生の危険があります。

- サークットブレーカーをオンにしたら、インレットの金属接点に直接指を触れないでください。通電されています。
- +は、直流で使用されるか、または直流の電流を生成する機器の正極端子を識別します。-は、直流で使用されるか、または直流の電流を生成する機器の負極端子を識別します。
- AC 主電源に接続する端子の正しい配線を確認してください。

バッテリー

- バッテリーを不正な種別のものと交換すると爆発の危険があります。使用済みバッテリーは、指示に従って廃棄してください。
- 内蔵バッテリーは取り外しできません。修理については必要に応じてメーカーにお問い合わせください。
- バッテリーを長期保存する場合は、半年に一度はフル充電して、バッテリーの品質を保つようにしてください。これを怠った場合、破損の原因となります。
- この機器は、子供が近づく可能性のある場所での使用には適していません。
- 不正な種別のバッテリーとの不適切な交換は、安全装置を無効にする場合があります(たとえば、一部のリチウムバッテリータイプの場合など)。
- バッテリーを火や高温のオーブンの中に投入したり、バッテリーを機械的に粉碎したり切断したりしないでください。爆発の原因となることがあります。
- バッテリーを非常に高温の環境に放置しないでください。爆発や、可燃性の液体およびガスの漏出を引き起こす可能性があります。
- バッテリーを極端に低い空気圧下に置かないでください。爆発したり、可燃性の液体やガスが漏出することがあります。

設置

- 機器はこのマニュアルの指示に従って設置してください。
- けがを防ぐために、この装置は必ず設置手順に従って天井/壁にしっかりと取り付けられてください。
- 機器は不安定な場所に置かないでください。機器が落下して、使用者が死亡したり怪我を負う恐れがあります。
- この機器は、対応するブラケットでのみ使用できます。他のもの(カート、スタンド、キャリア)などで使用すると、不安定になり、けがをする可能性があります。
- 付加される力は、機器重量の 3 倍に相当し、50N を下回らないこととします。機器および関連する取り付け用付属品は、設置作業も安全に扱うようにしてください。
- 設置後、関連する取付板を含む機器を壊

さないようにしてください。

システムのセキュリティ

- お客様は、インターネットにはその性質上固有のセキュリティリスクがあることを了解し、異常動作、プライバシーの流出、またはサイバー攻撃やハッカー攻撃などによるその他の損害について、当社は一切責任を負いません。ただし、必要に応じて当社は適時技術的サポートを提供します。
- インターネットに接続するとデバイスがネットワークセキュリティの問題に直面することがありますから、個人情報やデータセキュリティを確実に保護してください。デバイスにネットワークセキュリティのリスクがある場合は、当社にご連絡ください。
- お客様は、デバイスに関するすべてのパスワードやその他のセキュリティ設定を行い、ユーザー名とパスワードを保管する責任があることをご理解ください。

メンテナンス

- 製品が正しく動作しない場合、販売店または最寄りのサービスセンターに連絡してください。承認されていない修理や保守行為による問題について、当社はいかなる責任も負いません。
- 一部のデバイスコンポーネント（電解コンデンサなど）は、定期的に交換する必要があります。製品の平均寿命は変動するため、定期的な点検をお勧めします。詳細については、販売店にお問い合わせください。
- 必要ならば、エタノールを少量含ませたきれいな布でデバイスを静かに拭きます。
- メーカーが指定していない方法で使用した場合、デバイスが提供する保護機能が損なわれる恐れがあります。
- 火災の危険を減らすために、ヒューズは同じ種類、定格のものとのみ交換してください。

- 機器のシリアルポートはデバッグの目的にのみ使用されます。
- 整備中は電源の接続を外してください。

使用環境

- 実行環境がデバイスの要件を満たしていることを確認します。動作温度は-20°C~50°C (-4°F to 122°F)、動作湿度は95%以下（結露なきこと）である必要があります。
- デバイスを強い電磁波や埃の多い環境にさらさないでください。
- レンズを太陽や極端に明るい場所に向けないでください。
- 機器を水滴や水しぶきにさらさないでください。また、花瓶などの液体が入った物を機器の上に置かないでください。
- ろうそくの火のような裸火を機器の上に置かないでください。
- 記号▲の付いた部分に手を触れると火傷します。スイッチを切って30分経過してから、部品に手を触れてください。

緊急

- デバイスから煙や異臭、異音が発生した場合、すぐに電源を切り、電源ケーブルを抜いて、サービスセンターにご連絡ください。

メーカー住所

310052 中国浙江省杭州市滨江区西興地区段鳳通り 399 号 2 棟ユニット B 313 号室
Hangzhou Microimage Software Co., Ltd.

法令順守通知：本サーマルシリーズ製品は、アメリカ合衆国、欧州連合、英国などワッセナー・アレンジメントの会員国を含むがそれだけに限定されない各国・各地域で、輸出管理の対象となる可能性があります。サーマルシリーズ製品を外国へ転送・輸出・再輸出する場合は、貴社の法務・コンプライアンス部門もしくは自国の政府機関に、輸出ライセンスの条件についてご確認ください。

한국어



이 설명서에 있는 제품 그림은 참고용이며 실제 제품과 다를 수 있습니다.

인터페이스 및 버튼 - 페이지 A

번호	기능	번호	기능
1	마이크	6	네트워크 케이블
2	열화상 렌즈	7	전원 케이블

번호	기능	번호	기능
3	MicroSD 카드 슬롯	8	RS-485 및 알람 인터페이스
4	초기화 버튼	9	라우드스피커
5	시리얼 포트		

참고:

장비의 시리얼 포트는 디버깅에만 사용됩니다.

**해당 기기는 감지 거리 4 미터 이내의 낙하를 감지할 수 있습니다. 해당 기기는 보조 기기로서 감지 거리 내에서 일어나는 모든 낙하에 대한 감지를 보장할 수는 없습니다. 낙하 감지 기능은 일부 특수한 상황 하에서 영향을 받을 수 있습니다. 감지 기능의 정확도를 보장하기 위해 해당 기기를 내부 벽의 2.7m 높이에 장착하시는 것을 권장해 드립니다. 해당 기기의 바로 앞에 거울, 철제 제품, 혹은 기타 방해 요소들이 놓이지 않도록 주의해 주십시오.*

사용자 매뉴얼

자세한 내용은 장비의 사용자 매뉴얼을 참조하십시오.



© 2022 Hangzhou Microimage Software Co., Ltd. All rights reserved.


매뉴얼 소개

본 매뉴얼에는 제품의 사용 및 관리에 필요한 지침이 포함되어 있습니다.

매뉴얼의 그림, 차트, 이미지 및 기타 모든 정보는 설명용으로만 제공되는 것입니다. 매뉴얼에 포함된 정보는 펌웨어 업데이트 또는 다른 사유로 예고 없이 변경될 수 있습니다. 이 설명서의 최신 버전을

보려면 HIKMICRO
 웹사이트(www.hikmicrotech.com/)를
 참조하십시오.
 본 매뉴얼은 제품 지원 교육을 받은
 전문가의 안내 및 지원 하에
 사용하십시오.

상표

 및 기타 HIKMICRO 의 상표와
 로고는 여러 관할 지역에 등록된
 HIKMICRO 의 재산입니다.
 기타 상표 및 로고는 각 소유자의
 재산입니다.

면책 조항

관련 법률에서 허용하는 최대 범위에서 본
 매뉴얼 및 설명된 제품은 하드웨어,
 소프트웨어와 펌웨어의 모든 결함 및
 오류가 “있는 그대로” 제공됩니다.

HIKMICRO 는 상품성, 품질 만족도, 특정
 목적에의 적합성 및 타사의 비침해를
 포함하되 이에 국한되지 않고 명시적 또는
 묵시적으로 보증하지 않습니다. 제품 사용
 시 책임은 전적으로 사용자에게 있습니다.

어떠한 경우에도 HIKMICRO 은 제품의
 사용과 관련해 발생하는 특별한, 결과적,
 부수적 또는 간접적 손해 및 특히
 사업상의 이익 손실, 운영 중단으로 인한
 손해 또는 데이터의 손실, 시스템 장애
 또는 문서의 손실에 대해 계약 위반, 불법
 행위(과실 책임 포함), 제조물 책임 또는
 그 외 제품 사용 관련성과 관계없이 일절
 책임지지 않으며 HIKMICRO 이 해당 손상
 또는 손실이 발생할 가능성을 권고한
 경우에도 그렇습니다.

귀하는 인터넷의 특성상 본질적으로 보안
 위험이 잠재해 있음을 인정하며,

HIKMICRO 는 사이버 공격, 해커 공격,
 바이러스 감염 또는 기타 인터넷 보안
 위험으로 인해 발생한 비정상 작동,
 개인정보 유출 또는 기타 손해에 대해
 일절 책임지지 않습니다. 그러나

HIKMICRO 는 필요한 경우 시기적절하게
 기술 지원을 제공합니다.


귀하는 해당되는 모든 법률을 준수해 본
 제품을 사용하는 데 동의하며, 해당되는
 법률을 준수해 사용하는 것은 전적으로
 귀하의 책임입니다. 특히, 귀하는
 퍼블리시티권, 지적 재산권, 데이터 보호
 및 기타 개인 정보 보호권을 포함하되
 이에 국한되지 않고 제 3 자의 권리를
 침해하지 않는 방식으로 본 제품을
 사용하는 것에 대해 책임을 집니다.

귀하는 대량 살상 무기 개발 또는 생산,
 화학 또는 생물 무기 개발 또는 생산,
 핵폭발 또는 안전하지 않은 핵연료 주기와
 관련된 또는 인권 침해를 조장할 수 있는
 개발 또는 생산을 포함해 금지된 최종


용도를 위해 본 제품을 사용하지
 않습니다.
 본 매뉴얼과 적용되는 법률 사이에 충돌이
 발생하는 경우 법률이 우선합니다.
규제 정보

해당 안내문은 상응하는 표시나 정보가
 명시되어 있는 제품에 대해서만 표시됨.


EU 적합성 선언

 본 제품은 물론 제공되는
 액세서리(해당되는 경우)에도
 "CE"가 표시되어 있으므로

Directive 2014/30/EU (EMCD), Directive
 2014/35/EU (LVD), Directive 2011/65/EU
 (RoHS)에 명시된 적용되는 유럽 공통
 표준을 준수합니다.

 Directive 2012/19/EU (WEEE 지침):
 이 기호가 표시된 제품은 유럽
 연합 내에서 분류되지 않은
 일반폐기물로 폐기할 수
 없습니다. 적절히 재활용하기

위해 동급 장비를 새로 구매할 때 현지
 공급업체에 제품을 반납하거나 지정된
 수거 장소에 폐기하십시오. 자세한 내용
 확인: www.recyclethis.info

 Directive 2006/66/EC 및 개정
 2013/56/EU(배터리 지침): 본
 제품에는 유럽 연합 내에서
 분류되지 않은 일반폐기물로
 폐기할 수 없는 배터리가

포함되어 있습니다. 특정 배터리에 관한
 자세한 내용은 제품 관련 문서를
 참조하십시오. 이 기호가 표시된
 배터리에는 카드뮴(Cd), 납(Pb) 또는
 수은(Hg)을 나타내는 글자가 포함될 수
 있습니다. 적절히 재활용하기 위해
 공급업체에 배터리를 반납하거나 지정된
 수거 장소에 폐기하십시오. 자세한 내용

확인: www.recyclethis.info

공인 제조사에서 제공한 전원 어댑터를
 사용하십시오. 자세한 전원 요구 사항은
 제품 사양을 참조하십시오.

공인 제조사에서 제공한 배터리를
 사용하십시오. 자세한 배터리 요건은 제품
 사양을 참조하십시오.

KC

B 급 기기: 이 기기는 가정용(B 급)
 전자파적합기기로써 주로 가정에서
 사용하는 것을 목적으로 하며, 모든
 지역에서 사용할 수 있습니다.

안전 지침

이 지침은 사용자가 제품을 올바르게

사용해 위험 또는 재산상의 손실을 방지하도록 하기 위해 제공되는 것입니다.

법률 및 규정

이 장비는 현지 법률, 전기 안전 규정 및 화재 예방 규정을 준수해 사용해야 합니다.

운반

- 장비를 운반할 때는 본래 포장재 또는 유사한 포장재에 장비를 놓으십시오.
- 포장을 푼 다음에는 나중에 사용할 수 있도록 모든 포장재를 보관하십시오. 고장이 발생할 경우에는 장비를 본래 포장 상태로 포장해 공장으로 반품해야 합니다.
- 본래 포장 상태로 운송하지 않으면 장비가 손상될 수 있으며, 회사는 일절 책임지지 않습니다.
- 제품을 떨어뜨리거나 물리적 충격을 가하지 마십시오. 장비가 전자파의 간섭을 받지 않도록 하십시오.

전원 공급 장치

- 충전기는 직접 구입하십시오. IEC62368 표준에 따라 입력 전압은 제한 전원(12 VDC)를 충족해야 합니다. 자세한 내용은 기술 사양을 참조하십시오.
- 플러그가 전원 소켓에 올바르게 연결되어 있는지 확인하십시오.
- 콘센트는 장비 근처에 설치되어 있어야 하고 쉽게 접근할 수 있어야 합니다.
- 과부하로 인한 과열 또는 화재 위험을 방지하기 위해 하나의 전원 어댑터에 여러 장비를 연결하지 마십시오.
- 회로 차단기가 꺼진 후 인렛에 있는 노출된 금속 접점을 손으로 만지지 마십시오. 전기가 남아 있습니다.
- +은 직류에 사용하거나 직류를 생성하는 장비의 양극 터미널을 의미합니다. -은 직류에 사용하거나 직류를 생성하는 장비의 음극 터미널을 의미합니다.
- AC 주 전원 공급 장치에 연결하기 위해 배선 및 단자가 올바른지 확인하십시오.

배터리

- 배터리를 잘못된 유형으로 교체하면 폭발의 위험이 있습니다. 사용한 배터리는 지침을 준수해 폐기하십시오.
- 내장된 배터리는 분해할 수 없습니다. 수리가 필요한 경우 제조사에 연락하십시오.
- 배터리를 장기간 보관하는 경우 배터리의 품질을 보장하기 위해 6개월마다 완충하십시오. 그렇지 않을 경우 손상될 수 있습니다.
- 이 장비는 어린이가 있을 수 있는 장소에서 사용하기에 적합하지 않습니다.
- 배터리를 잘못된 유형으로 부적절하게

교체하면 안전장치가 작동하지 않을 수 있습니다(예: 일부 리튬 배터리 유형의 경우).

- 배터리를 불 또는 뜨거운 오븐에 넣거나 기계적으로 부수거나 절단하지 마십시오. 폭발의 위험이 있습니다.
- 배터리를 주변 온도가 매우 높은 곳에 두지 마십시오. 폭발하거나 인화성 액체 또는 기체가 누출될 수 있습니다.
- 배터리를 기압이 매우 낮은 곳에 두지 마십시오. 폭발하거나 인화성 액체 또는 기체가 누출될 수 있습니다.

설치

- 이 매뉴얼의 지침을 준수해 장비를 설치하십시오.
- 부상을 방지하기 위해 설치 지침을 준수해 장비를 바닥/벽면에 단단히 부착해야 합니다.
- 장비를 불안정한 장소에 놓아서는 절대 안 됩니다. 장비가 추락해 심각한 부상 또는 사망을 초래할 수 있습니다.
- 이 장비는 해당하는 브래킷만 사용할 수 있습니다. 다른 브래킷(카트, 스탠드 또는 캐리어)을 사용하면 불안정해져 부상을 초래할 수 있습니다.
- 추가 하중은 기기 무게의 3 배와 동일해야 하나 50N 보다 낮아선 안 됩니다. 기기와 그 고정 수단들은 설치 과정에서 안전하게 유지되어야 합니다.
- 설치가 종료된 후에는 기기와 관련 설치판들이 손상되어선 안 됩니다.

시스템 보안

- 귀하는 인터넷의 특성상 본질적으로 보안 위험이 잠재해 있음을 인정하며, 당사는 사이버 공격, 해커 공격, 바이러스 감염 또는 기타 인터넷 보안 위험으로 인해 발생한 비정상 작업, 개인정보 유출 또는 기타 손해에 대해 일절 책임지지 않습니다. 그러나 당사는 필요한 경우 시기적절하게 기술 지원을 제공합니다.
- 인터넷에 연결되어 있는 경우 네트워크 보안 문제가 발생할 수 있으므로 개인정보 보호 및 데이터 보안을 강화해 주시기 바랍니다. 장비에 네트워크 보안 위험이 있을 수 있는 경우 당사에 연락해 주십시오.
- 귀하는 장비와 관련된 모든 비밀번호 및 기타 보안 설정을 구성하고 사용자 이름 및 비밀번호를 관리할 책임이 있음을 이해합니다.

유지 관리

- 제품이 제대로 작동하지 않을 경우 판매점 또는 가까운 서비스 센터에 문의하십시오. 당사는 무단 수리 또는 유지 관리로 인해 발생한 문제에 대해

일절 책임지지 않습니다.

- 장비의 일부 구성 요소(예: 전해 커패시터)는 주기적으로 교체해야 합니다. 평균 수명은 상황에 따라 다르므로 정기 점검을 권장합니다. 자세한 내용은 판매점에 문의하십시오.
- 필요한 경우 깨끗한 헝겊에 에탄올을 소량 묻혀 장비를 살살 닦아주십시오.
- 제조사가 지정하지 않은 방식으로 장비를 사용하는 경우 장비에 의해 제공되는 보호 성능이 손상될 수 있습니다.
- 화재의 위험을 방지하기 위해 유형 및 등급이 동일한 퓨즈로만 교체하십시오.
- 장비의 시리얼 포트는 디버깅에만 사용됩니다.
- 서비스 중에는 전원을 분리하십시오.

사용 환경

- 작동 환경이 장비의 작동 요구 사항을 충족하도록 하십시오. 작동 온도는 -20°C~50°C(-4°F~122°F), 작동 습도는 95% 이하여야 하며 응결이 없어야 합니다.
- 장비를 전자파 방사가 높거나 먼지가 많은 환경에 노출하지 마십시오.
- 렌즈를 태양 또는 기타 밝은 빛에 조준하지 마십시오.
- 물이 떨어지거나 튀는 곳에 장비를 노출되어서는 안 되며 꽃병과 같이

액체가 들어 있는 물체를 장비 위에 두어서는 안 됩니다.

- 불이 켜진 촛불과 같이 불꽃이 드러나는 화염원을 장비 위에 놓지 마십시오.
- ⚠ 기호가 있는 부품을 취급할 때는 손가락에 화상을 입을 수 있습니다. 부품을 다루기 전에 전원을 끈 후 약 30분 기다리십시오.

비상 버튼

- 장비에서 연기, 냄새 또는 소음이 발생하면 즉시 전원을 끄고 전원 케이블을 뽑은 다음 서비스 센터에 연락하십시오.

제조사 주소

중국저장성 310052 항저우빈장구시싱하위지
구단펑가 399 빌딩 2, B 동, 룸 313
Hangzhou Microimage Software Co., Ltd.

규정 준수 알림: 열화상 시리즈 제품은 미국, 유럽 연합, 영국 및/또는 기타 바세나르 협정국을 포함하되 이에 국한되지 않고 여러 국가 및 지역의 수출 통제 대상이 될 수 있습니다. 열화상 시리즈 제품을 국가 간 운송, 수출, 재수출하려는 경우 필요한 수출 라이선스 요구 사항에 대해 법률 또는 규정 준수 전문가 또는 해당 국가의 정부 기관에 문의하십시오.

繁體中文



產品外觀僅供參考，可能與實際產品有所不同。

畫面與按鈕 - 第 A 頁

編號	功能	編號	功能
1	麥克風	6	網路線
2	熱像鏡頭	7	電源線
3	MicroSD 記憶卡插槽	8	RS-485 與警報畫面
4	重設按鈕	9	揚聲器
5	Serial Port		

說明:

裝置的序列埠僅供調整使用。

*本裝置可偵測 4 米距離範圍內的跌落物。作為輔助裝置，不能確保在其適用範圍內可偵測到所有跌落物。在特殊情況下，跌落物偵測功能或會受到影響。為確保偵測精度，建議將此裝置安裝在高度為 2.7 米的內壁位置。務必確保本裝置正前方沒有鏡子、金屬製品及其他障礙物。

使用者手冊

若需詳細資訊，請參閱裝置的使用手冊。



© 2022 杭州微影軟件有限公司保留所有權利。

關於本手冊

本手冊提供有關使用和管理產品的指示。以下的圖片、圖表、圖像和所有其他資訊僅供描述和說明用途。本手冊所含資訊可能會因韌體升級或其他原因而變動，恕不另行通知。請至 HIKMICRO 網站 (www.hikmicrotech.com/) 尋找本手冊最新版本。

請在受過產品支援訓練的專業人員的指引與協助下使用本手冊。

商標

 及其他 HIKMICRO 的商標和標誌是 HIKMICRO 在不同司法管轄區的財產。

所提及的其他商標和標誌為各自擁有者的財產。

免責聲明

在適用法律允許的最大範圍內，本手冊及所描述產品，其硬體、軟體和韌體均以「現狀」提供，瑕疵錯誤概不負責。HIKMICRO 不作任何明示或暗示的保證，包括但不限於適售性、品質滿意度或適合某特定用途。您必須承擔使用本產品的風險。對於任何特殊、衍生、偶發或間接的損害，包括但不限於營業利潤損失、營業中斷，或者資料遺失、系統毀損或文件遺失，只要是基於違反合約、侵權（包括過失）、產品責任或產品使用（即使 HIKMICRO 已知悉可能會有此類損害或損失），HIKMICRO 概不負責。

您了解網際網路的性質具有固有的安全風險，對於因網路攻擊、駭客攻擊、病毒感染

或其他網路安全風險而造成的異常運作、隱私洩漏或其他損害，HIKMICRO 概不承擔任何責任；但 HIKMICRO 將提供及時的技術支援。

您同意依照所有適用法律使用本產品，而且您有責任確保您的使用符合適用法律。特別是，您有責任在使用本產品時不侵犯第三方權利，包括但不限於出版權、知識財產權或資訊保護以及其他隱私權。您不得將本產品用於任何禁止的最終用途，包括開發或生產大規模毀滅性武器、開發或生產化學武器或生物武器，以及任何有關核爆炸或不安全核燃料循環的任何活動，或支持侵犯人權。

如果本手冊與適用法律產生任何衝突，以後者為準。

法規資訊

此等條款僅適用於附有相應標誌或資料的產品。

歐盟聲明



本產品及（如果適用）其附件都已標示「CE」，因此符合適用指令 2014/30/EU (EMCD)、指令 2014/35/EU (LVD)、指令 2011/65/EU (RoHS) 所列之統一歐洲標準。



指令 2012/19/EU (WEEE 指令)：已標示此符號的產品在歐盟不得當成未分類的都市廢棄物處理。為了正確回收，請在購買同等

的新設備時將本產品退回當地供應商，或將其棄置在指定的回收點。有關詳細資訊請參閱：www.recyclethis.info



指令 2006/66/EC 及其修訂 2013/56/EU (電池指令)：本產品內含一顆電池，在歐盟區不能當成未分類的都市廢棄物處理。有關特定的電池資訊，請參閱產品說明文件。已標示此符號的電池可能含有代表鎘 (Cd)、鉛 (Pb) 或汞 (Hg) 的字母。為正確回收，請將電池送回供應商或指定的回收點。有關詳細資訊請參閱：www.recyclethis.info

請使用合格製造商提供的電源變壓器。有關詳細的功率要求，請參閱產品規格。使用合格製造商提供的電池。有關詳細的電池要求，請參閱產品規格。

安全說明

這些指示的目的在確保使用者正確使用本產品，避免造成危險或財產損失。

法律和法規

應遵守當地法律、電氣安全法規和防火法規使用本裝置。

運輸

- 在運送裝置時，請將裝置放入原本的或類似的包裝中。
- 在拆封後保留所有包裝以供將來使用。如果發生任何故障，則需要利用原本的包裝將裝置送回工廠。
- 未使用原本的包裝運輸可能會導致裝置損壞，本公司概不承擔任何責任。
- 請勿使本產品掉落或遭受撞擊。請讓裝置遠離磁性干擾。

電源供應

- 請自行購買充電器。輸入電壓應符合 IEC62368 標準的有限電源 (12 VDC) 規定。如需詳細資訊，請參閱技術規格。
- 確認已將插頭正確連接至電源插座。
- 電源插座應安裝在裝置附近，而且伸手可及。
- 請勿將多個裝置連接至相同電源變壓器以避免過熱，或因過載造成火災危險。
- 關閉斷路器後，禁止觸碰進電處的外露接點。仍有電力。
- [+] 代表裝置的正極，搭配使用或產生直流電。[-] 代表裝置的負極，搭配使用或產生直流電。
- 務必正確地將端子接線到 AC 主電源。

電池

- 若更換的電池類型不正確，會有爆炸的風險。請依照指示棄置使用過的電池。
- 內建電池無法拆卸。如有需要，請聯絡製造商進行維修。
- 為了長期儲存電池，請確保電池每半年充滿電，以確保電池品質。否則，可能會造成損壞。
- 本裝置不適合在兒童可能出現的場所使用。
- 換錯類型不正確的電池，可能會使保護措

施失效 (例如，某些類型的鋰電池)。

- 禁止將電池棄置火中或高溫烤箱中，並禁止使用機械來壓碎或切碎電池，否則可能導致爆炸。

- 禁止將電池置於極高溫的環境中，否則可能導致爆炸或造成易燃液體或氣體洩漏。
- 禁止將電池置於極低空氣壓力下，否則可能導致爆炸或造成易燃液體或氣體洩漏。

安裝

- 按照本手冊中的說明安裝設備。
- 為避免造成傷害，須按照安裝說明將本設備穩妥地安裝於天花板/牆壁上。
- 切勿將裝置置於不牢固的地方。裝置可能會掉落，造成嚴重的人員傷亡。
- 本裝置僅可使用指定的支架。與其他物品 (推車、支架或運輸車) 搭配使用，可能會導致不穩定而造成傷害。
- 應使用大於設備重量的三倍但小於 50 牛的額外力道。在安裝期間，設備及設備相關的安裝工具必須維持鎖緊狀態。
- 安裝後，設備及任何相關的安裝板應維持無損壞狀態。

系統安全性


- 您瞭解網際網路在本質上具有安全風險，對於因網路攻擊、駭客攻擊、病毒感染或其他網路安全風險而造成的運作異常、隱私洩漏或其他損害，本公司一概不負責；但本公司將提供及時的技術支援。
- 請採取個人資訊與資料安全措施，因為當裝置連線到網際網路時，可能會遭遇網路安全問題。若是裝置有網路安全風險的問題，請與我們聯絡。
- 請瞭解您必須負責替裝置設定所有密碼和其他安全性設定，並記下您的使用者名稱和密碼。

維護

- 如果產品無法正常運作，請聯絡您的經銷商或最近的服務中心。對於因未經授權的維修或保養而造成的問題，本公司概不承擔任何責任。
- 部分裝置組件 (例如電解電容) 需要定期更換。平均壽命不同，因此建議定期檢查。如需詳細資訊，請聯絡您的零售商。
- 如有需要，請使用乾淨的布和少量酒精輕輕擦拭裝置。
- 如果以製造商未指定的方式使用設備，則可能會影響裝置所提供的保護。
- 為降低火災風險，只能更換類型與額定值相同的保險絲。
- 裝置的序列埠僅供調整使用。
- 維修期間請中斷電源。

使用環境

- 請確定操作環境符合裝置的需求。工作溫度應在 $-20^{\circ}\text{C} \sim 50^{\circ}\text{C}$ ($-4^{\circ}\text{F} \sim 122^{\circ}\text{F}$) 之間，工作濕度應低於 95%，且無凝結現象。
- 請勿使裝置暴露於高電磁輻射或塵土飛揚的環境中。
- 請勿將鏡頭瞄準陽光或任何其他明亮的光線。
- 本裝置不得曝露在會滴水或濺水的環境

- 中，且不得將裝有液體的物品（例如花瓶）放在裝置上。
- 不得將開放性火源（例如點燃的蠟燭）放置在裝置上。
 - 處理這些零件會燙傷手指（符號：）。
- 請在關閉電源後半小時再處理這些零件。
- 緊急**
- 如果裝置產生煙霧、異味或噪音，請立即關閉電源，拔除電源線，並聯絡維修中心。
- 製造地址**

310052 中國浙江省杭州市濱江區西興街區丹風路 399 號 2 號樓 B 單元 313 室
杭州微影軟件有限公司

合規性注意事項：熱像系列產品可能在不同國家或地區受到出口管制，包括但不限於美國、歐盟、英國和/或瓦森納協議的其他成員國。如果您打算在不同國家之間轉讓、出口、再出口熱像系列產品，請洽詢您的專業法律或合規性專家或地方政府機關，以瞭解任何必要的出口許可要求。



HIKMICRO

See the World in a New Way