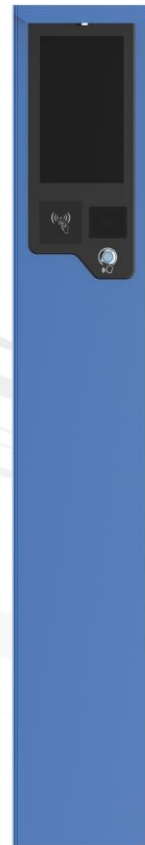


## DS-TMT202-D Exit Ticket Station



- 10.1 inch wide temperature high brightness LCD screen, support text, two-dimensional code and other information display, support picture, video loop playback
- Device integrated IC card reader, support card upload
- The device contains 1 relay-out interface, which can be used for remote control barrier
- Support real-time voice intercom function, Integrated echo cancellation and noise cancellation technology
- Support SDK protocol

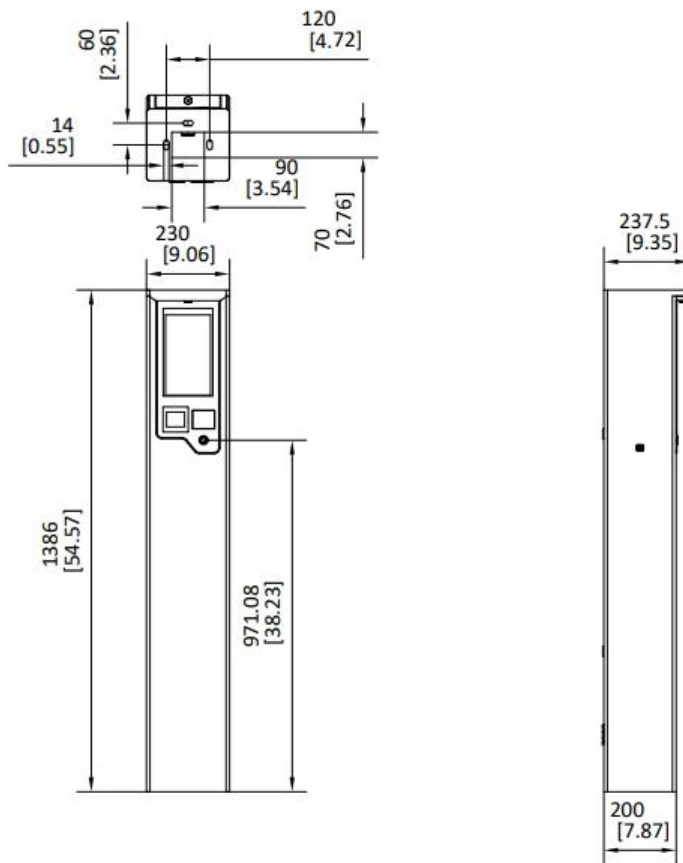
## ▪ Specification

Audio	
Audio Encoding	G.711U
Audio Bit Rate	64 Kbps
Audio Input	All-directional microphone
Audio Output	loudspeaker 5.5W
Audio Quality	Echo suppression, Noise cancellation
Two-Way Audio Mode	Full duplex two-way voice intercom
Network	
Interface Protocol	TCP/IP
Scan and Recognition	
Recognition Distance	0-9cm
Recognition Type	Bar code, QR code
Display Screen	
Screen Type	10.1 inch LCD screen 1080P
Interface	
Alarm Input	2
Alarm Output	2
Network Interface	10M/100M self-adaption × 1
Card Reader	
Card Reader Type	IC card, CPU card
General	
Working Temperature and Humidity	-40°C ~ 70°C 10% ~ 95%
Power Supply	220V 50Hz
Power Consumption	<15W 220VAC
Dimensions	230 × 237.5 × 1386 mm (9.06 × 9.35 × 54.57 inch)
Protection	IP54
Weight	16.86 kg (37.17 lb.)
Weight (with Package)	19.51 kg (43.01 lb.)
Dimensions (with Package)	320 × 360 × 1492 mm (12.6 × 14.17 × 58.74 inch)
Operating System	Embedded Linux System

## ▪ Available Model

DS-TMT202-D

## ▪ Dimension



L × W × H: 230 mm × 237.5 mm × 1386 mm (9.06 × 9.35 × 54.57)

Unit: mm [inch]

**Headquarters**

No.555 Qianmo Road, Binjiang District,  
Hangzhou 310051, China  
T +86-571-8807-5998  
www.hikvision.com



Follow us on social media to get the latest product and solution information.

