

## DS-TMC403-EL GMOS ANPR CAMERA

DarkFighter



- Discreet monitoring enabled by low-profile presence.
- 1/1.8" progressive scan Global shutter CMOS.
- GMOS use global shutter technology guarantee superb imaging quality and high recognition rate in heavy rain or low illumination scenes.
- Efficient access control with adaptable recognition ranges.
- Up to 2688 × 1520 resolution with real-time video.
- Built-in 9 strobe lights, able to suppress vehicle headlights
- Built-in temperature and humidity sensor and self-heating glass prevent fogging.
- Open door alarm.
- Supports relay output to control vehicle barrier gate.
- Wiegand interface support access video intercom/ access control.
- Supports loop triggering, radar triggering, and video triggering.
- Supports offline control of barrier gate under allowlist mode.
- Adopts entrance and exit dedicated exposure algorithm to adapt to the front/back light and inconsistent front and rear license plates scenes to improve LPR accuracy.
- Equipped with vehicles passing detection algorithm to realize auto switch of barrier gate normally open mode during continuous vehicles passing and improve passing efficiency.
- Lasting durability against vandalism through sturdy casing.
- Electrophoretic coating and stainless steel base for corrosion resistance.
- Effortless installation utilizing ground-mounted design.

## ▪ Specification

Camera	
Max. Resolution	2688 × 1520
Sensor Type	1/1.8" Progressive Scan GMOS (Global shutter CMOS)
Min. Illumination	Color: 0.0005 Lux @ (F1.2, AGC ON) B/W: 0.0001 Lux @ (F1.2, AGC ON) 0 Lux with IR
Shutter	1/30 s to 1/100,000 s
Day/Night Switch	Supported
IR Cut Filter	IR cut filter Blue glass module to reduce ghost phenomenon
Lens	
Lens Type	4mm
Aperture	F1.6
Focal Length & FoV	4 mm, horizontal FoV: 79°, vertical FoV: 43.3°, diagonal FoV: 92°
Lens Mount	M16
Iris Type	Fixed
Supplement Light	
Supplement Light Type	IR Light
Supplement Light Range	850nm
Image	
Main Stream	50 Hz: 50 fps (2688 × 1520(Default), 1920 × 1080, 1280 × 720) 60 Hz: 60 fps (2688 × 1520(Default), 1920 × 1080, 1280 × 720)
Sub-Stream	50 Hz: 50 fps (1920 × 1080(Default), 1280 × 720, 704 × 576) 60 Hz: 60 fps (1920 × 1080(Default), 1280 × 720, 704 × 576)
Third Stream	50 Hz: 50 fps (1280 × 720(Default), 704 × 576) 60 Hz: 60 fps (1280 × 720(Default), 704 × 576)
Image Settings	Saturation: 0 to 100 Brightness: 0 to 100 Contrast: 0 to 100 Gain: 0 to 100 3D DNR: Off, Normal, and Expert modes are selectable. White balance: White Balance 1 and White Balance 2 are selectable.
Frame Rate	50 fps (P)/60 fps (N)
Video	
ROI	8 regions respectively for main stream and sub-stream, 6 levels for each region.
Video Compression	Main stream: H.265/H.264/MJPEG, Sub-stream: H.265/H.264/MJPEG,
H.264 Type	Low profile Medium profile High Profile
Video Bit Rate	32 Kbps to 16 Mbps
Bit Rate Type	Constant, Variable
Scalable Video Coding (SVC)	H.265 encoding

<b>Capture Mode</b>	
Trigger Type	Video Detection, I/O Coil, Radar Mixed Traffic
Picture Type	Scene Picture, Scene Picture + Close-up Picture
Scene Mode	Entrance & Exit Toll Gate, Underground Parking Entrance & Exit
Capture Type	Strobe Light Mode
<b>Capture Parameters</b>	
Image Format	JPEG
Capture Resolution	2688 × 1520
License Plate Recognition	Forward, Backward, Bidirection
LED Control	Supports automatic light control/time control of LEDs
Smart Recognition	ANPR
Capture Picture Overlay	Location, Capture Time, Plate Number, Capture No., Vehicle Color Vehicle Type
<b>Entrance and Exit</b>	
Barrier Gate Control Mode	By Camera/Platform/Mixed
Keep Boom Pole Open for Following Vehicle	Enable/Disable
Lock Barrier Gate for Large-Sized Vehicle	Yes
Barrier Gate Status	None, Barrier Gate Close In Place, Barrier Gate Open In Place, Remote Control Barrier Gate
Allowlist and Blocklist	Up to 100,000 allowlist and blocklist totally Note: Only when the TF card is available, can the function take effect.
<b>Network</b>	
Network Storage	NAS (NFS, SMB/CIFS), auto network replenishment (ANR) together with high-end Hikvision memory card, memory card encryption and health detection are supported.
Protocol	TCP/IP, ICMP, HTTP, HTTPS, FTP Upload Picture, SRTP, DHCP, DNS, DDNS, RTP, RTSP, RTCP, NTP, IGMP, QoS, IPv6, UDP, SSL/TLS
API	Open Network Video Interface (PROFILE S, PROFILE G, PROFILE T), ISAPI, SDK, ISUP, Otap, Guarding Vision Platform
Client	iVMS-4200, Hik-Connect, Hik-Central
Web Browser	Plug-in required live view: IE10+ Plug-in free live view: Chrome 57.0+, Firefox 52.0+, Safari 11+ Local service: Chrome 41.0+, Firefox 30.0+
Security	Password protection, complicated password, HTTPS encryption, watermark, IP address filter, basic and digest authentication for HTTP/HTTPS, WSSE and digest authentication for Open Network Video Interface, RTP/RTSP OVER HTTPS, Control Timeout Settings, Security Audit Log, TLS 1.2
<b>Interface</b>	
Trigger Input	3-ch triggered inputs
Trigger Output	2-ch alarm output
Wiegand	1-ch, Supported: CardID 26bit, SHA-1 26bit, Hik 34bit, NEWG 72bit
Alarm Input	4-ch
RS-485	1-ch
RS-232	1-ch
Network Interface	1 RJ45 10M/100M self-adaptive Ethernet port

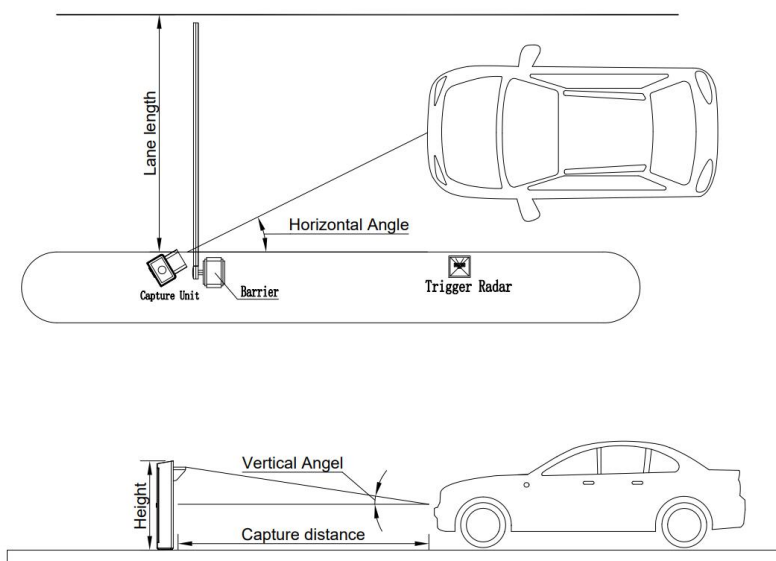
Memory Card Slot	1 TF card slot, up to 512G
Relay Output	4-ch
Power Output	12VDC, max.0.5A
<b>General</b>	
Power Supply	24VDC
Power Consumption	40 W Max.
Package Dimensions	465 mm × 200 mm × 198 mm (18.31 × 7.87 × 7.80 inch)
Dimensions	195 × 150 × 673 mm (7.68 × 5.91 × 26.5 inch)
Protection	IP54
Weight	9.1 kg (20.06 lb.)
Storage Temperature and Humidity	Temperature: -30 °C to 70 °C (- 4°F to 158 °F) Humidity: 95% (non-condensing)
Startup and Operating Conditions	Temperature: -30 °C to 65 °C (-22 °F to 149 °F) Humidity: 95% (non-condensing)
Language	33 languages: English, Russian, Estonian, Bulgarian, Hungarian, Greek, German, Italian, Czech, Slovak, French, Polish, Dutch, Portuguese, Spanish, Romanian, Danish, Swedish, Norwegian, Finnish, Croatian, Slovenian, Serbian, Turkish, Korean, Traditional Chinese, Thai, Vietnamese, Japanese, Latvian, Lithuanian, Portuguese (Brazil), Ukrainian
<b>Smart Function</b>	
LPR Accuracy	Capture rate > 98% Vehicle moving direction recognition accuracy > 98.5% LPR accuracy > 98% Mistaken capture rate < 2% European and Russian-Speaking Regions: LPR accuracy > 98% Country/Region recognition accuracy > 95%

ANPR Supported Country/Region	<p><b>Middle East:</b> The United Arab Emirates (Abu Dhabi, Ajman, Dubai, Fujairah, Ras Al Khaimah, Sharjah and Umm Al Quwain), Qatar, Iraq, Egypt, Jordan, Kuwait, Saudi Arabia, Pakistan, Oman, Lebanon, Bahrain</p> <p><b>Africa:</b> Nigeria, Kenya, Ivory Coast, South Africa, Tanzania, Mauritius, Morocco, Tunisia, Sierra Leone, Zambia, Ghana, Zimbabwe, Uganda, Angola, Ethiopia, Senegal, Algeria</p> <p><b>Asia-Pacific:</b> Australia, New Zealand, Indonesia, Malaysia, Singapore, South Korea, Thailand, Vietnam, the Philippines, Hong Kong, Macao, Taiwan, Myanmar, India, Mongolia, Cambodia, Laos, Bangladesh, Nepal, Sri Lanka</p> <p><b>America:</b> Canada, Argentina, Chile, Paraguay, Uruguay, El Salvador, Bolivia, Colombia, Brazil, Ecuador, Peru, Mexico, Panama, Costa Rica, Trinidad and Tobago, the Dominican Republic, Guatemala</p> <p><b>Europe:</b> Turkey, Croatia, Slovakia, Czech Republic, Bulgaria, the Republic of North Macedonia, Hungary, Greece, Poland, France, Netherlands, Switzerland, Spain, the UK, Ireland, Germany, Italy, Austria, Israel, Palestinian, Belgium, Luxembourg, Albania, Kosovo, Serbia, Romania, Montenegro, Denmark, Finland, Sweden, Slovenia, Portugal, Malta, Cyprus, Iceland, Liechtenstein, Bosnia and Herzegovina</p> <p><b>Russian-Speaking Regions:</b> Azerbaijan, Belarus, Kazakhstan, Lithuania, Georgia, Estonia, Latvia, Russia, Ukraine, Moldova, Uzbekistan, Kyrgyzstan, Armenia, Turkmenistan, Tajikistan</p>
Valid Distance	1.5 to 12m

## ▪ Installation

### Installation Recommendation

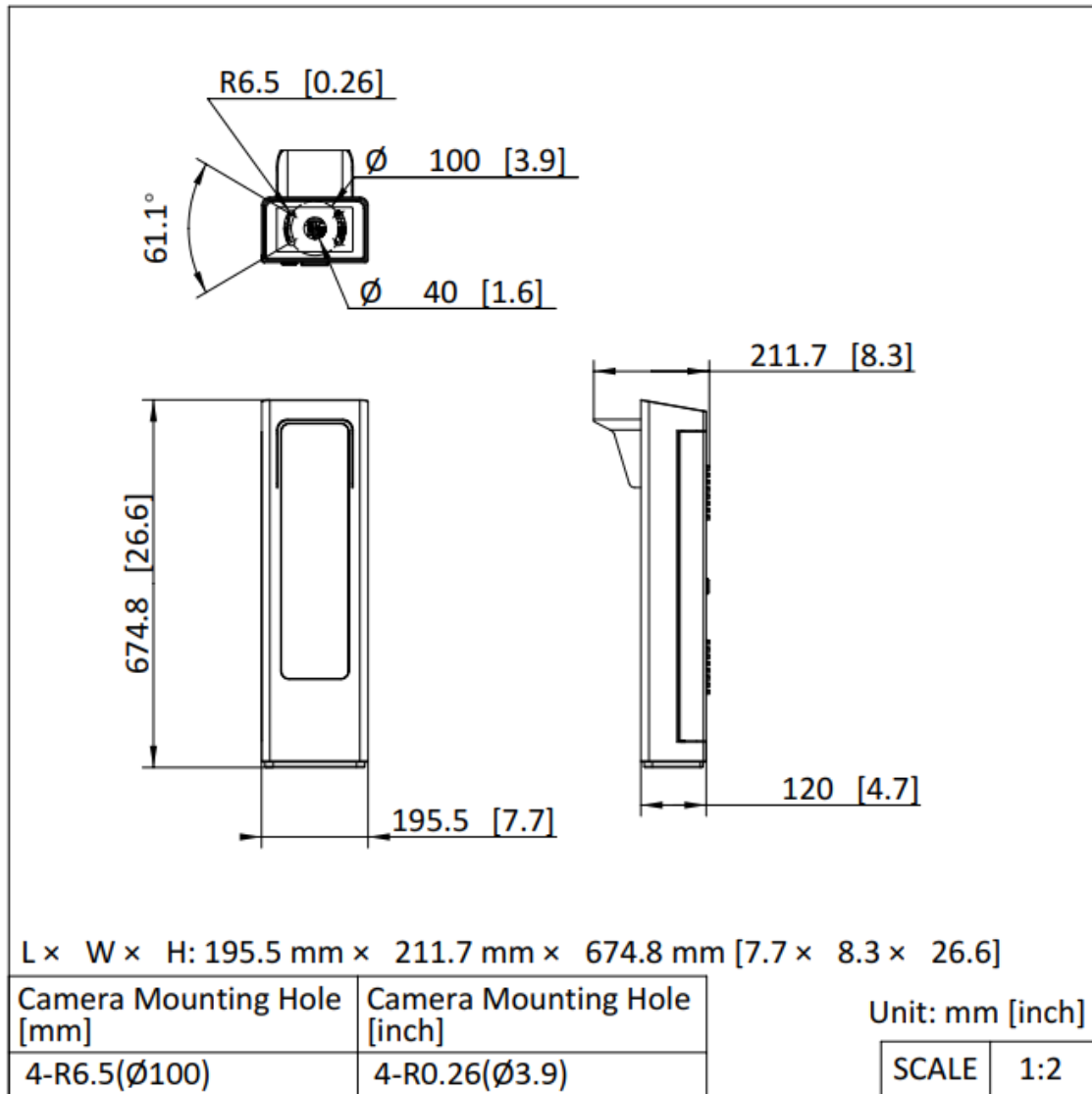
Camera Lens	Height (m)	Suggested Vertical Angle	Suggested Trigger Distance (m)	Capture Range (m)	Coverage Width (m)
4mm	0.7~0.8	10°	3~6	1.5~12	3~5



▪ **Available Model**

DS-TMC403-EL

▪ **Dimension**



**Headquarters**

No.555 Qianmo Road, Binjiang District,  
Hangzhou 310051, China  
T +86-571-8807-5998  
www.hikvision.com



Follow us on social media to get the latest product and solution information.

