



DS-KIS902-S Video Intercom Kit

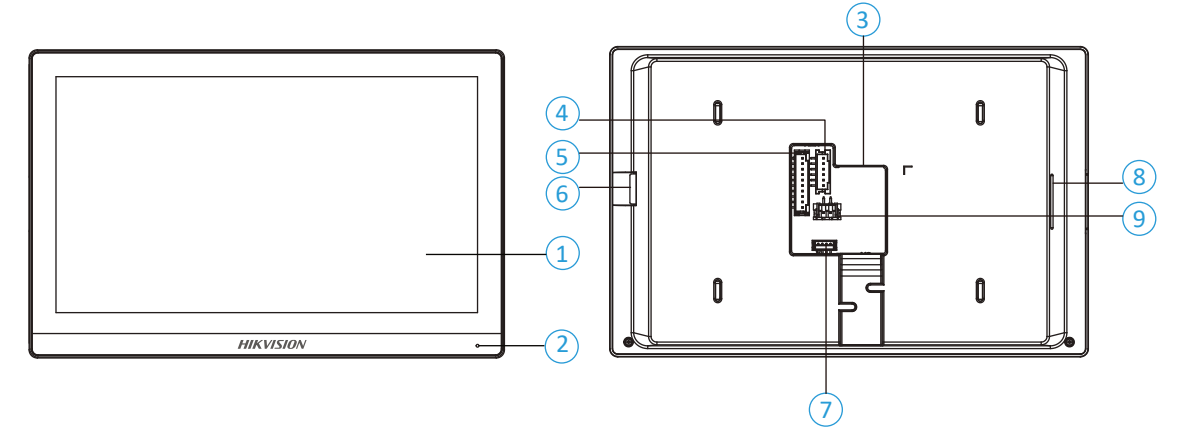
Quick Start Guide

UD35846B-B

Devices in Kit

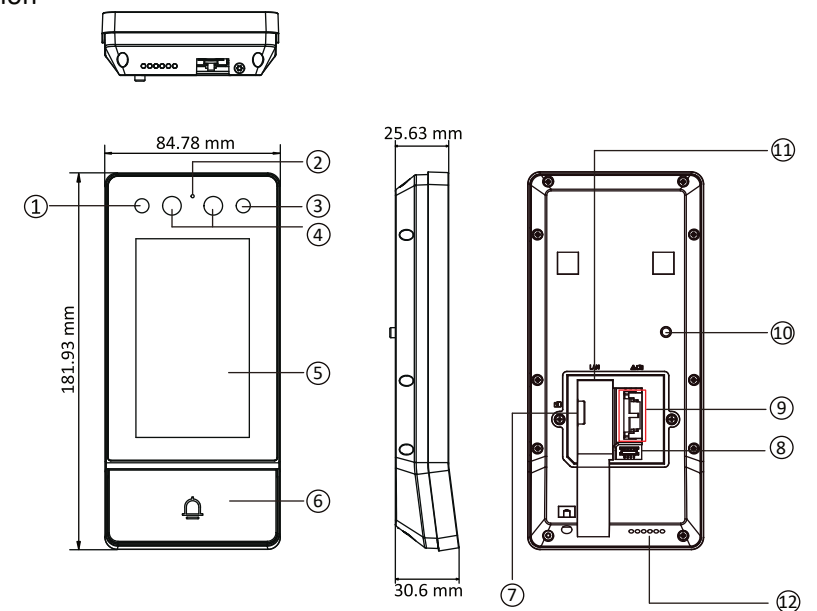
The pictures here are for reference only.

Indoor Station



- ① Screen ② MIC ③ Network Interface
- ④ RS-485 (Reserved) & Alarm Output Terminal ⑤ Alarm In Terminal ⑥ TF Card Slot
- ⑦ Serial Port (For Debugging Use Only) ⑧ Loudspeaker ⑨ Power Interface

Door Station



- ① IR Light ② Microphone ③ IR Light ④ Camera ⑤ Touch Screen
- ⑥ Button ⑦ TF Card Slot(Reserved) ⑧ Debugging Port ⑨ Terminals
- ⑩ TAMPER ⑪ Network Interface ⑫ Loudspeaker

About this Document

- This Document includes instructions for using and managing the Product. Pictures, charts, images and all other information hereinafter are for description and explanation only.
- The information contained in the Document is subject to change, without notice, due to firmware updates or other reasons. Please find the latest version of the Document at the Hikvision website (<https://www.hikvision.com>). Unless otherwise agreed, Hangzhou Hikvision Digital Technology Co., Ltd. or its affiliates (hereinafter referred to as "Hikvision") makes no warranties, express or implied.
- Please use the Document with the guidance and assistance of professionals trained in supporting the Product.

About this Product

This product can only enjoy the after-sales service support in the country or region where the purchase is made.

Acknowledgment of Intellectual Property Rights

- Hikvision owns the copyrights and/or patents related to the technology embodied in the Products described in this Document, which may include licenses obtained from third parties.
- Any part of the Document, including text, pictures, graphics, etc., belongs to Hikvision. No part of this Document may be excerpted, copied, translated, or modified in whole or in part by any means without written permission.
- HIKVISION and other Hikvision's trademarks and logos are the properties of Hikvision in various jurisdictions.
- Other trademarks and logos mentioned are the properties of their respective owners.

LEGAL DISCLAIMER

TO THE MAXIMUM EXTENT PERMITTED BY APPLICABLE LAW, THIS DOCUMENT AND THE PRODUCT DESCRIBED, WITH ITS HARDWARE, SOFTWARE AND FIRMWARE, ARE PROVIDED "AS IS" AND "WITH ALL FAULTS AND ERRORS". HIKVISION MAKES NO WARRANTIES, EXPRESS OR IMPLIED, INCLUDING WITHOUT LIMITATION, MERCHANTABILITY, SATISFACTORY QUALITY, OR FITNESS FOR A PARTICULAR PURPOSE. THE USE OF THE PRODUCT BY YOU IS AT YOUR OWN RISK. IN NO EVENT WILL HIKVISION BE LIABLE TO YOU FOR ANY SPECIAL, CONSEQUENTIAL, INCIDENTAL, OR INDIRECT DAMAGES, INCLUDING, AMONG OTHERS, DAMAGES FOR LOSS OF BUSINESS PROFITS, BUSINESS INTERRUPTION, OR LOSS OF DATA, CORRUPTION OF SYSTEMS, OR LOSS OF DOCUMENTATION, WHETHER BASED ON BREACH OF CONTRACT, TORT (INCLUDING NEGLIGENCE), PRODUCT LIABILITY, OR OTHERWISE, IN CONNECTION WITH THE USE OF THE PRODUCT, EVEN IF HIKVISION HAS BEEN ADVISED OF THE POSSIBILITY OF SUCH DAMAGES OR LOSS.

YOU ACKNOWLEDGE THAT THE NATURE OF THE INTERNET PROVIDES FOR INHERENT SECURITY RISKS, AND HIKVISION SHALL NOT TAKE ANY RESPONSIBILITIES FOR ABNORMAL OPERATION, PRIVACY LEAKAGE OR OTHER DAMAGES RESULTING FROM CYBER-ATTACK, HACKER ATTACK, VIRUS INFECTION, OR OTHER INTERNET SECURITY RISKS; HOWEVER, HIKVISION WILL PROVIDE TIMELY TECHNICAL SUPPORT IF REQUIRED.

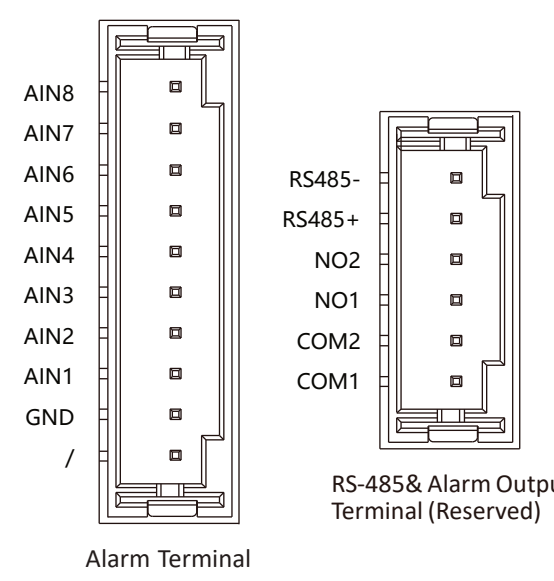
YOU AGREE TO USE THIS PRODUCT IN COMPLIANCE WITH ALL APPLICABLE LAWS, AND YOU ARE SOLELY RESPONSIBLE FOR ENSURING THAT YOUR USE CONFORMS TO THE APPLICABLE LAW. ESPECIALLY, YOU ARE RESPONSIBLE FOR USING THIS PRODUCT IN A MANNER THAT DOES NOT INFRINGE ON THE RIGHTS OF THIRD PARTIES, INCLUDING WITHOUT LIMITATION, RIGHTS OF PUBLICITY, INTELLECTUAL PROPERTY RIGHTS, OR DATA PROTECTION AND OTHER PRIVACY RIGHTS. YOU SHALL NOT USE THIS PRODUCT FOR ANY PROHIBITED END-USES, INCLUDING THE DEVELOPMENT OR PRODUCTION OF WEAPONS OF MASS DESTRUCTION, THE DEVELOPMENT OR PRODUCTION OF CHEMICAL OR BIOLOGICAL WEAPONS, ANY ACTIVITIES IN THE CONTEXT RELATED TO ANY NUCLEAR EXPLOSIVE OR UNSAFE NUCLEAR FUEL CYCLE, OR IN SUPPORT OF HUMAN RIGHTS ABUSES.

IN THE EVENT OF ANY CONFLICTS BETWEEN THIS DOCUMENT AND THE APPLICABLE LAW, THE LATTER PREVAILS.

© Hangzhou Hikvision Digital Technology Co., Ltd. All rights reserved.

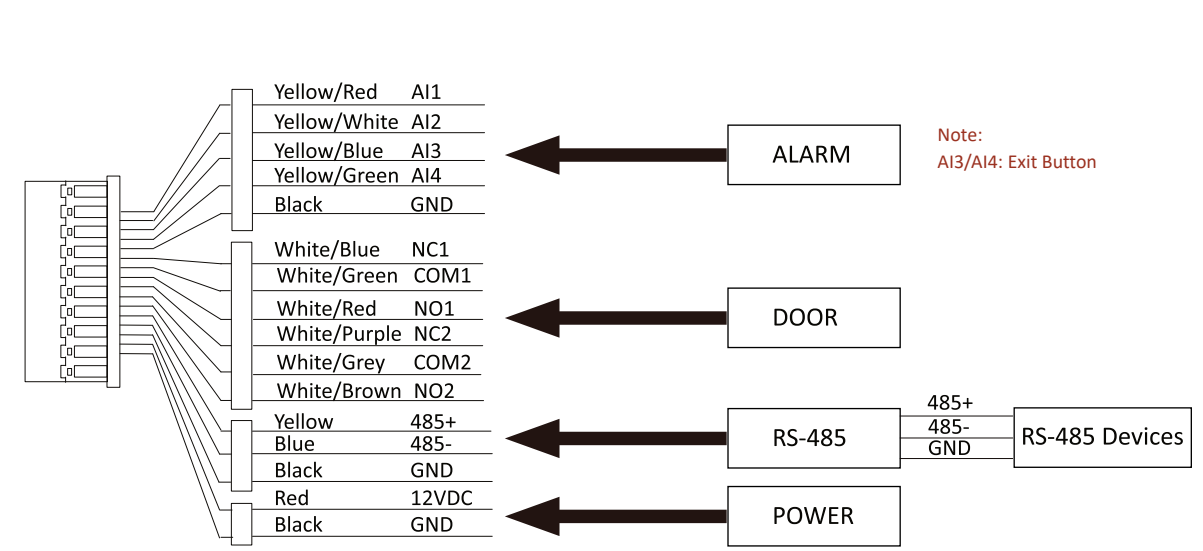
1 Wiring and Terminals

Wiring and Terminals of Indoor Station



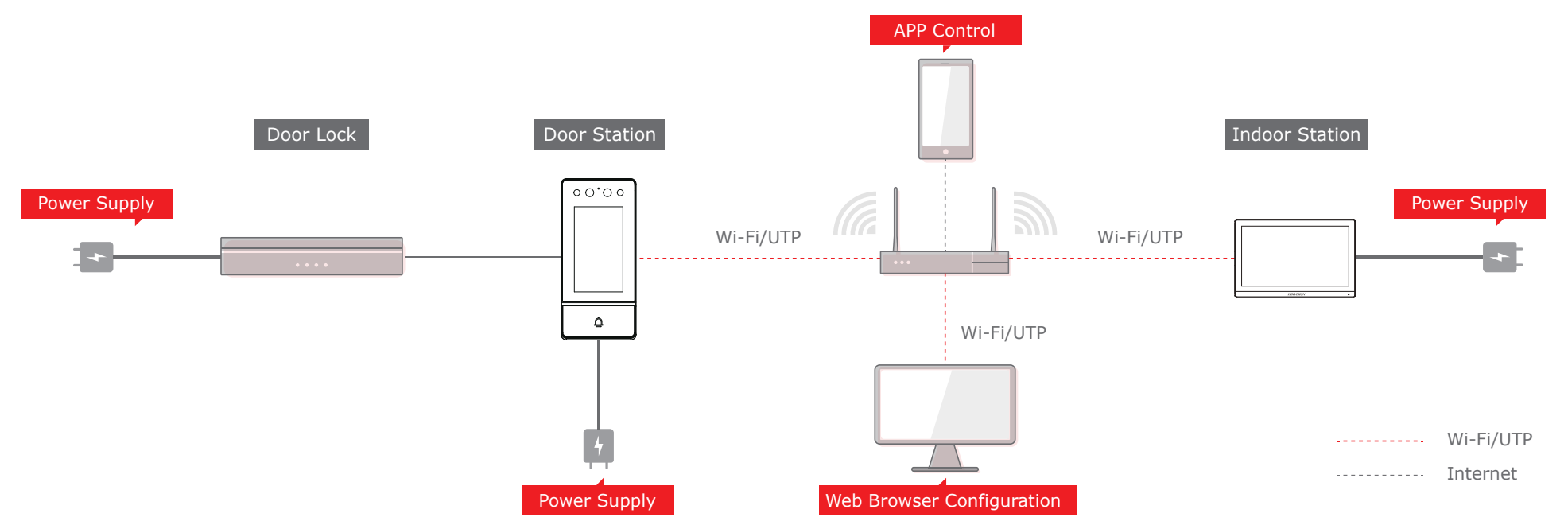
AIN1 to AIN8 : Alarm Input Pins
You should connect alarm input device to the indoor station by connecting any terminal of AIN1 to AIN8 and GND.

Wiring and Terminals of Door Station



Refer to User Manual for more details about terminal and wiring.

2 Typical Application



If a power adapter is provided in the device package, use the provided adapter only. If no power adapter is provided, ensure the power adapter or other power supply complies with Limited Power Source. Refer to the product label for the power supply output parameters.

Если адаптер питания входит в комплект поставки устройства, используйте только прилагаемый адаптер. Если адаптер питания не входит в комплект поставки, убедитесь, что используемый вами адаптер питания или источник питания соответствует требованиям к ограничению мощности. Выходные параметры источника питания указаны на его паспортной табличке.

Amennyiben a készülék csomagja tartalmaz hálózati adaptert, kizárólag a mellékelt adaptert használja. Ha a csomag nem tartalmaz hálózati adaptert, bizonyosodjon meg, hogy a használt hálózati adapter vagy más tápegység megfelel a korlátozott áramforrásokra vonatkozó előírásoknak. A tápegység teljesítményének paramétereit a termék címkéjén találhatók.

Wenn im Lieferumfang des Geräts ein Netzteil enthalten ist, verwenden Sie nur das mitgelieferte Netzteil. Wenn kein Netzteil mitgeliefert wird, stellen Sie sicher, dass das Netzteil oder eine andere Stromversorgung den Anforderungen an eine Stromquelle mit begrenzter Leistung entspricht. Die Ausgangsparameter des Netzteils sind auf dem Produktaufkleber angegeben.

Utilizzare solo l'alimentatore in dotazione, se incluso nella confezione del dispositivo. Se l'alimentatore non è incluso, accertarsi di utilizzare un modello conforme allo standard sulle fonti di alimentazione limitate. Consultare l'etichetta del prodotto per i parametri dell'uscita di alimentazione.

Pokud je v balení zařízení dodán napájecí adaptér, používejte pouze dodaný adaptér. Pokud není napájecí adaptér dodán, zajistěte, aby napájecí adaptér nebo jiný napájecí zdroj vyhovoval požadavkům na omezený zdroj napájení. Parametry výstupu napájení viz štitky výrobku.

Ak bolo zariadenie dodané s napájacím adaptérom, použite iba dodaný adaptér. Ak napájací adaptér nie je dodaný, uistite sa, že napájací adaptér alebo iný zdroj napájania vyhovuje obmedzenému zdroju napájania. Parametre výstupu napájacieho zdroja nájdete na štítku produktu.

Si un adaptateur secteur est fourni dans l'emballage de l'appareil, n'utilisez que l'adaptateur fourni. Si aucun adaptateur secteur n'est fourni, assurez-vous que l'adaptateur secteur ou toute autre source d'alimentation est conforme à la source d'alimentation limitée. Reportez-vous à l'étiquette du produit pour connaître les paramètres de sortie de l'alimentation.

Jeżeli w pakiecie z urządzeniem dostarczany jest zasilacz, należy używać wyłącznie tego zasilacza. Jeżeli zasilacz nie jest dostarczany w pakiecie z urządzeniem, należy używać zasilacza zgodnego z wymaganiami dotyczącymi źródeł zasilania z własnym ograniczeniem (LPS, Limited Power Source). Informacje dotyczące wymaganego zasilania podano na etykiecie produktu.

Als een voedingsadapter in de verpakking van het apparaat is geleverd, mag u alleen deze adapter gebruiken. Als er geen voedingsadapter is meegeleverd, moet u ervoor zorgen dat de voedingsadapter of een andere stroombron voldoet aan de Beperkte voedingsbron. Raadpleeg het productlabel voor de parameters voor de stroomuitvoer.

Se a embalagem do dispositivo incluir um adaptador de alimentação, utilize apenas o adaptador fornecido. Se não for fornecido um adaptador, certifique-se de que o adaptador de alimentação ou qualquer outra fonte de alimentação está em conformidade com a Fonte de Alimentação Limitada. Consulte a etiqueta do produto para obter os parâmetros nominais da fonte de alimentação.

Si el paquete del dispositivo incluye un adaptador de corriente, utilice únicamente el adaptador suministrado. Si no se suministra un adaptador de corriente, asegúrese de que el adaptador de corriente u otra fuente de alimentación que utilice cumple con el límite de la fuente de alimentación. Consulte la etiqueta del producto para conocer los parámetros de salida de la fuente de alimentación.

Dacă dispozitivul se furnizează cu un adaptor de alimentare, utilizați-l numai pe acesta. Dacă nu se furnizează niciun adaptor de alimentare, asigurați-vă că adaptorul sau o altă alimentare electrică este compatibilă cu sursa de alimentare limitată. Pentru parametri de legătură ai alimentării electrice, consultați eticheta produsului.

Hvis en strømadapter følger med i enhedens pakke, må du kun bruge den medføjede adapter. Hvis der ikke medfølger en strømadapter, skal du sikre, at strømadapteren eller en anden strømforsyning overholder LPS (Limited Power Source). Find strømforsyningens udgangsparametre i produktets mærkat.

Chaz paketinde bir güc adaptörü varsa, sadece verilen adaptörü kullanın. Güç adaptörü verilmediyse, güc adaptörünün veya diğer güc kaynağının Sınırlı Güç kaynağı ile uyumlu olduğundan emin olun. Güç kaynağı çıkış parametreleri için ürün etiketne bakın.

في حال توفر محول طاقة في عبوة الجهاز، استخدم المحول المرفق فقط في حال عدم توفر محول طاقة، تأكد من توافق محول الطاقة أو مصدر الطاقة الآخر مع مصدر الطاقة المحدود. راجع ماسك المنتج للاطلاع على معلمات خرج مصدر الطاقة.

Якщо блок живлення входить у комплект поставки, використовуйте тільки наданий блок живлення. Якщо блок живлення не входить у комплект поставки, переконайтеся, що блок живлення або інше джерело живлення відповідає вимогам до джерел живлення обмеженої потужності. Вимоги до вихідних параметрів джерела живлення див. на етикетці виробу.

Jika adaptor daya disediakan dalam kemasan perangkat, hanya gunakan adaptor yang disediakan. Jika adaptor daya tidak disediakan, pastikan adaptor daya atau catu daya lain sesuai dengan Sumber Daya Terbatas. Lihat label produk untuk parameter output catu daya.

ကိရိယာ ထုတ်ပို့မှုတွင် မပါ အခက်ပတာ ထည့်သွင်းပါရှိပါက၊ ပေးထားသော အခက်ပတာကိုသာ အသုံးပြုပါ။ မပါ အခက်ပတာ ပါရှိပါက၊ မပါရင်းမြစ် တာန်သတ်မှုနှင့် ကိုက်ညီသော မပါ အခက်ပတာ သို့မဟုတ် အခြား မပါ ပေးသွင်းမှုများကို သုံးရန် ကျင့်ကြံပါ။ မပါပေးသွင်းမှု အတွက် တာန်သတ်ချက်များအတွက် ထုတ်ကုန်တွင် ရေးသားထားချက်ကို ကိုက်ညီပါ။

3 Installation

● Install Indoor Station

Devices support wall mounting.

Installation Accessory Description

The wall mounting plate and gang box are required to install the indoor station onto the wall.

There are 2 size of the gang boxes adapted to the device.

Size 1: 75 mm (width) × 75 mm (length) × 50 mm (depth).

Size 2: 55 mm (width) × 101 mm (length) × 38.5 mm (depth).

The dimension of mounting plate is 97 mm (width) × 104 mm (length) × 3 mm (depth).

Make sure the device in the package is in good condition and all the assembly parts are included.

The power supply the indoor station supports is 12 VDC. Or the standard PoE is supported.

Please make sure your power supply matches your indoor station.

Make sure all related equipments are power-off during the installation.

Check the product specification for the installation environment.

1. Wall Mounting with Gangbox (Type I)

1. Cave a hole in the wall.

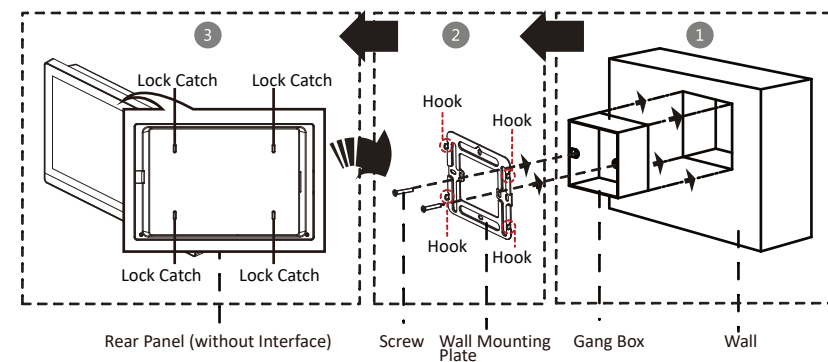
Note: The suggested dimension of the installation hole should be larger than the gang box.

2. Insert a gang box (Type I) to the hole chiseled on the wall.

3. Fix the wall mounting plate to the gang box with 2 screws.

Note: If you install the device with a gang box (75 mm(width) × 75 mm(length) × 46 mm(depth)), the left and right holes will be applied.

4. Hook the indoor station to the wall mounting plate tightly by inserting the plate hooks into the slots on the rear panel of the indoor station, during which the lock catch will be locked automatically.



2. Wall Mounting with Gangbox (Type II)

1. Cave a hole in the wall.

Note: The suggested dimension of the installation hole should be larger than the gang box.

2. Insert a gang box (Type II) to the hole chiseled on the wall.

Note: If you use the gang box (55 mm(width) × 101 mm(length) × 48.5 mm(depth)), you can install the gang box Vertical or Horizontal.

3. Fix the wall mounting plate to the gang box with 2 screws.

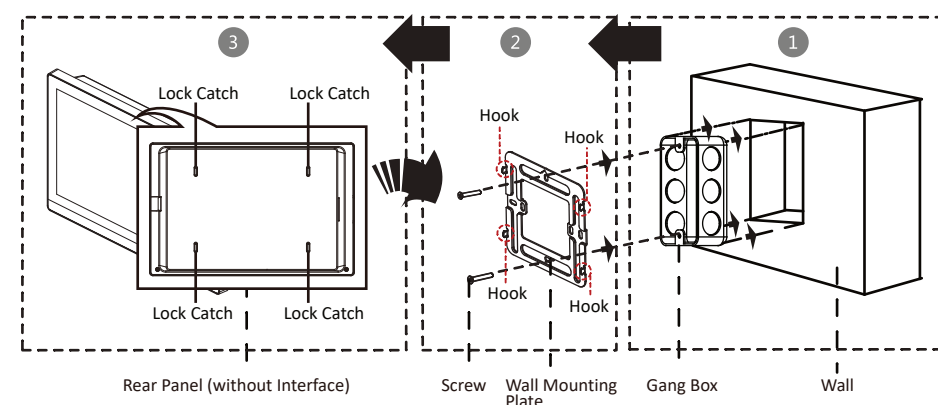
Notes:

If you install the device with the gang box horizontal, the left and right holes will be applied.

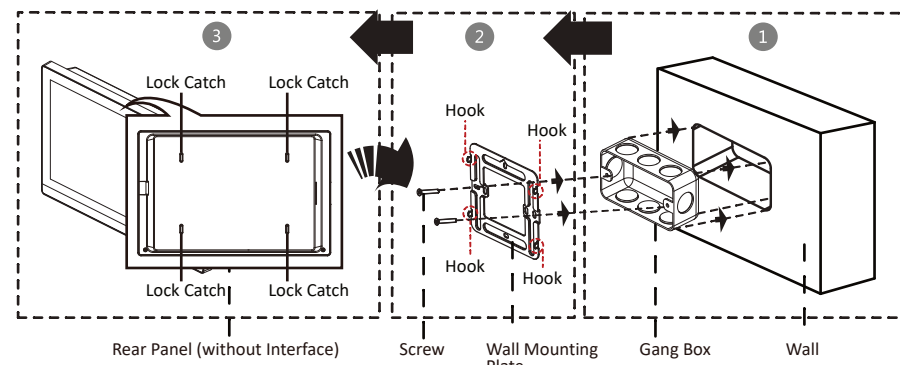
If you install the device with the gang box vertical, the upper and lower holes will be applied.

4. Hook the indoor station to the wall mounting plate tightly by inserting the plate hooks into the slots on the rear panel of the indoor station, during which the lock catch will be locked automatically.

2.1 Type II Gangbox Vertical Installation



2.2 Type II Gangbox Horizontal Installation



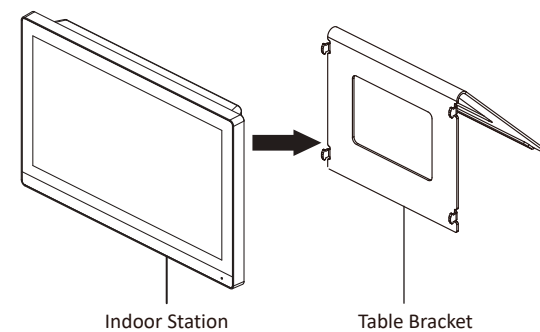
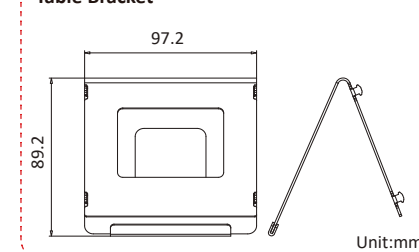
3. Table Mounting with Table Bracket

1. Put the table bracket on the desk.

2. Route the cable through the cable hole to connect the indoor station.

3. Hook the indoor station to the table bracket tightly by inserting the table bracket hooks into the slot on the rear panel of the indoor station, during which the lock catch will be locked automatically.

Table Bracket



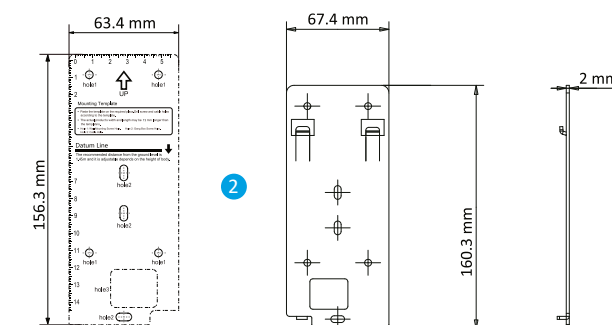
● Install Door Station

Before You Start

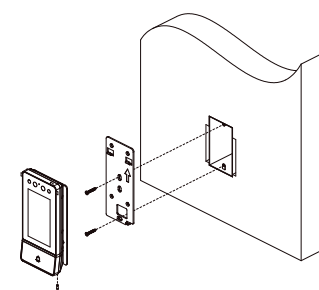
- Mounting template is required for surface mounting.
- Make sure the device in the package is in good condition and all the assembly parts are included.
- The power supply of the indoor station is 12 VDC. Make sure your power supply matches your villa door station.
- Make sure all related equipments are power-off during the installation.
- Check the product specification for the installation environment.

Note: The dimension of the mounting plate is 160.3 mm × 67.4 mm × 2 mm.

- ① Mounting Template ② Mounting Plate



Surface Mounting with Gang Box



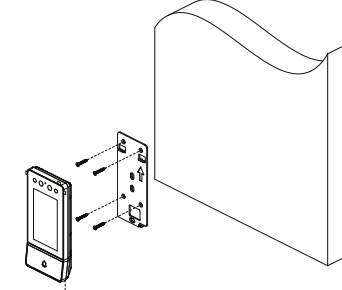
① Gang box is not supplied.

① Make sure the gang box is installed on the wall.

② Secure the mounting plate on the gang box with the four supplied screws (SC-KA4X25). Remove the back cover and route the cable through the cable hole, wire the cables and insert the cables in the gang box.

③ Align the device with the mounting plate, and secure the device on the mounting plate with 1 supplied screw (SC-M3X8NL-SUS316L-GB78).

Surface Mounting without Gang Box



① According to the datum line on the mounting template, stick the mounting template on the wall or other surface, 1.45 meters higher than the ground.

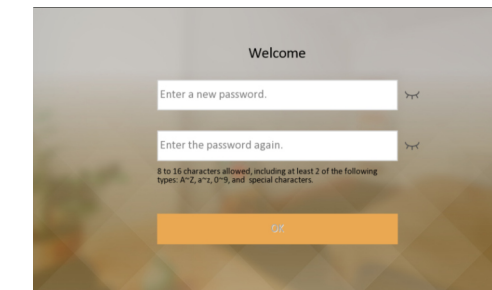
② Drill holes on the wall or other surface according to the instructions on the mounting template.

③ Secure the mounting plate on the gang box with the four supplied screws (SC-KA4X25). Remove the back cover and route the cable through the cable hole, wire the cables and insert the cables in the gang box.

④ Align the device with the mounting plate, and secure the device on the mounting plate with 1 supplied screw (SC-M3X8NL-SUS316L-GB78).

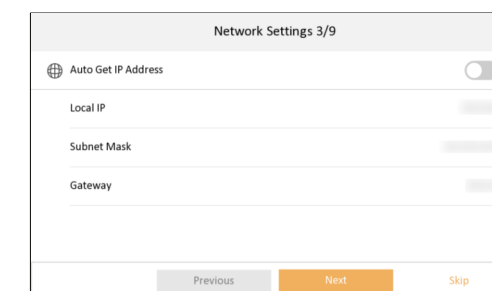
4 Quick Operation

① Activate Device



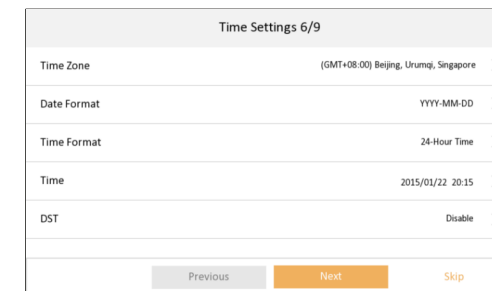
Create activation password for the device. 8 to 16 characters are allowed.

④ Network Settings



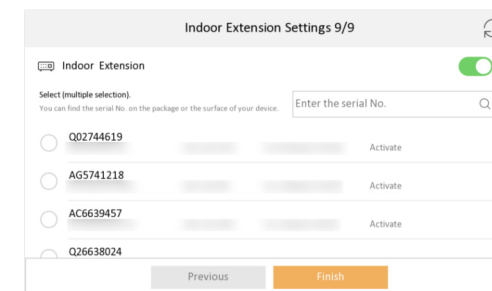
Set Network parameters. Enable Auto Get IP Address and the device will be assigned network parameters automatically.

⑦ Set Time



Set time parameters.

⑩ Indoor Extension Settings



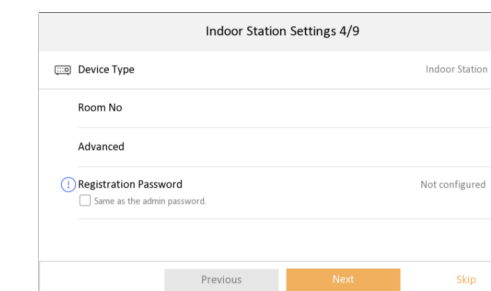
Select an extension from the list or enter the serial No. to search for the device. Tap the selected device to link.

② Select Language



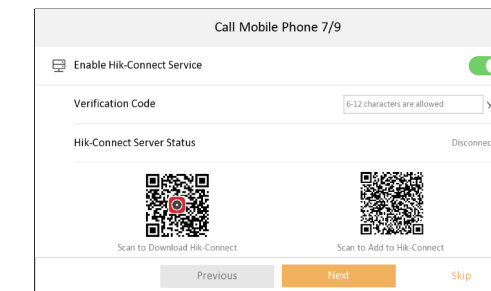
Choose language according to your actual needs. After language selection, you should follow the instructions to finish the wizard.

⑤ Indoor Station Settings



Select device type and set device information.

⑧ Hik-Connect Settings



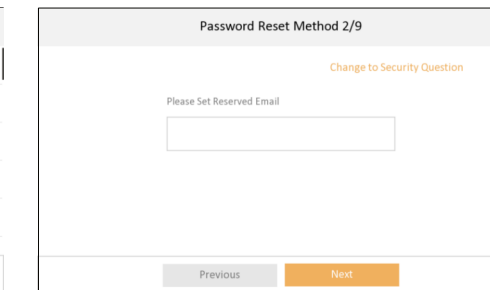
After enabling Hik-Connect Service and downloading the App, you can add the device to the app and operate via mobile devices.

● Home Page



If exceptions occurred, the status icon will be changed at the upper right corner of the screen. Tap the icon and follow the instructions to solve.

③ Set Email/Security Question



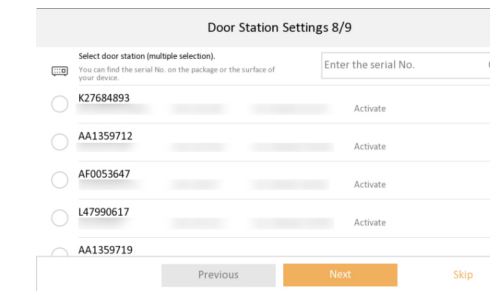
You can choose to reset the activation/admin password via the email or security questions if you forget your password.

⑥ Wi-Fi Settings



Enable the device Wi-Fi function, and select Wi-Fi. Enter the Wi-Fi's password. If the device has already connected to a wired network, skip the step.

⑨ Door Station Settings



Select a door station from the list or enter the serial No. to search for the device. Tap the selected device to link.

For more details, please refer to the **User Manual**

