



DS-KH6110-WE1/DS-KH6100-E1/
DS-KH6000-E1 Series
Network Indoor Station

Quick Start Guide

UD34108B

Quick Start Flow Chart

1 Wiring

Terminals and wiring of the device.

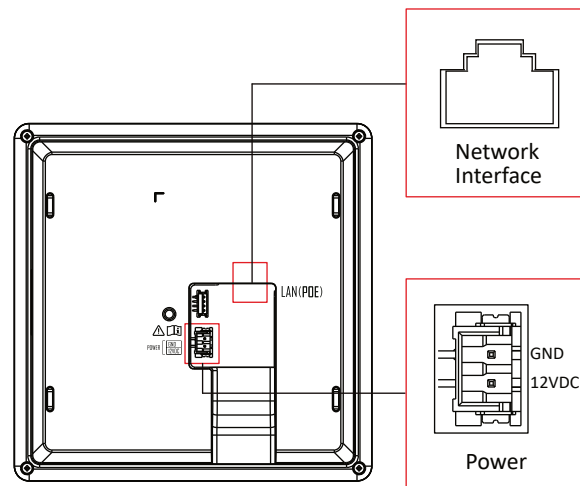
2 Installation

2.1 Mounting accessories.
2.2 Wall mounting with junction box.

3 Activation and Quick Operation

3.1 Activation via Client Software.
3.2 Quick operation.

1 Wiring

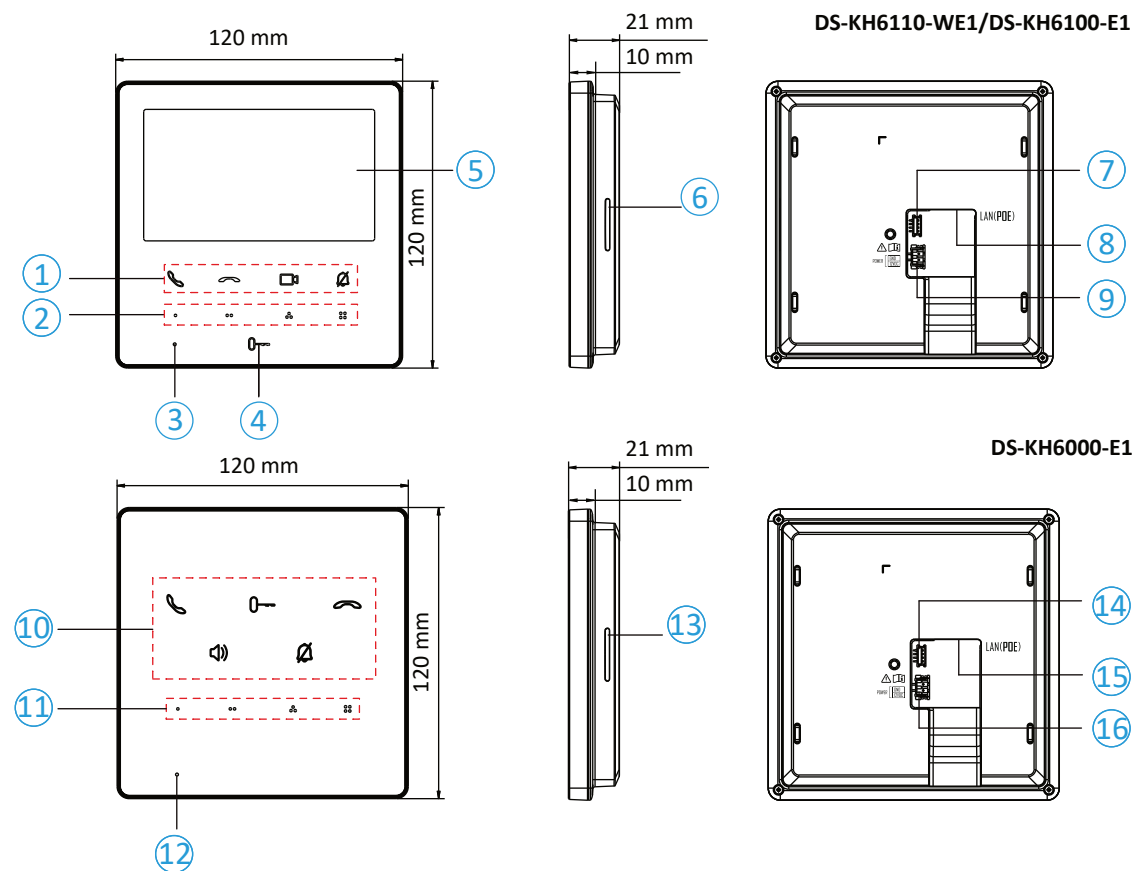


There is one network interface and one 12 VDC power interface on the rear panel of the indoor station.



Note: You can power on the device via the power interface with 12 VDC power supply. Or you can power on the device via standard PoE through the network interface.

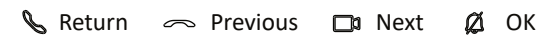
Appearance



The customizable button is set as unlocking Lock 2 by default.

- ① Touch Button (Answer the call/Hang up the call/Live View/Mute)
- ② Customizable Touch Button ③ MIC ④ Unlock Touch Button
- ⑤ Screen ⑥ Speaker ⑦ Serial Port (For Debugging Use Only)
- ⑧ Network Interface ⑨ Power Interface
- ⑩ Touch Button (Answer the call/Unlock/Hang up the call/Volume/Mute)
- ⑪ Customizable Touch Button ⑫ MIC ⑬ Speaker
- ⑭ Serial Port (For Debugging Use Only) ⑮ Network Interface
- ⑯ Power Interface

Touch Button Function for Devices with a Non-touch Screen:



DS-KH6110-WE1



DS-KH6100-E1



DS-KH6000-E1



Scan the QR code to get the User Manual.

©2023 Hangzhou Hikvision Digital Technology Co., Ltd. All rights reserved.

About this Manual
The Manual includes instructions for using and managing the Product. Pictures, charts, images and all other information hereinafter are for description and explanation only. The information contained in the Manual is subject to change, without notice, due to firmware updates or other reasons. Please find the latest version of this Manual at the Hikvision website (<https://www.hikvision.com/>).

Please use this Manual with the guidance and assistance of professionals trained in supporting the Product.
Trademarks

HIKVISION and other Hikvision's trademarks and logos are the properties of Hikvision in various jurisdictions.
Other trademarks and logos mentioned are the properties of their respective owners.

Disclaimer
TO THE MAXIMUM EXTENT PERMITTED BY APPLICABLE LAW, THIS MANUAL AND THE PRODUCT DESCRIBED, WITH ITS HARDWARE, SOFTWARE AND FIRMWARE, ARE PROVIDED "AS IS" AND "WITH ALL FAULTS AND ERRORS". HIKVISION MAKES NO WARRANTIES, EXPRESS OR IMPLIED, INCLUDING WITHOUT LIMITATION, MERCHANTABILITY, SATISFACTORY QUALITY, OR FITNESS FOR A PARTICULAR PURPOSE. THE USE OF THE PRODUCT BY YOU IS AT YOUR OWN RISK. IN NO EVENT WILL HIKVISION BE LIABLE TO YOU FOR ANY SPECIAL, CONSEQUENTIAL, INCIDENTAL, OR INDIRECT DAMAGES, INCLUDING, AMONG OTHERS, DAMAGES FOR LOSS OF BUSINESS PROFITS, BUSINESS INTERRUPTION, OR LOSS OF DATA, CORRUPTION OF SYSTEMS, OR LOSS OF DOCUMENTATION, WHETHER BASED ON BREACH OF CONTRACT, TORT (INCLUDING NEGLIGENCE), PRODUCT LIABILITY, OR OTHERWISE, IN CONNECTION WITH THE USE OF THE PRODUCT, EVEN IF HIKVISION HAS BEEN ADVISED OF THE POSSIBILITY OF SUCH DAMAGES OR LOSS.

YOU ACKNOWLEDGE THAT THE NATURE OF THE INTERNET PROVIDES FOR INHERENT SECURITY RISKS, AND HIKVISION SHALL NOT TAKE ANY RESPONSIBILITIES FOR ABNORMAL OPERATION, PRIVACY LEAKAGE OR OTHER DAMAGES RESULTING FROM CYBER-ATTACK, HACKER ATTACK, VIRUS INFECTION, OR OTHER INTERNET SECURITY RISKS; HOWEVER, HIKVISION WILL PROVIDE TIMELY TECHNICAL SUPPORT IF REQUIRED.
YOU AGREE TO USE THIS PRODUCT IN COMPLIANCE WITH ALL APPLICABLE LAWS, AND YOU ARE SOLELY RESPONSIBLE FOR ENSURING THAT YOUR USE CONFORMS TO THE APPLICABLE LAW. ESPECIALLY, YOU ARE RESPONSIBLE, FOR USING THIS PRODUCT IN A MANNER THAT DOES NOT INFRINGE ON THE RIGHTS OF THIRD PARTIES, INCLUDING WITHOUT LIMITATION, RIGHTS OF PUBLICITY, INTELLECTUAL PROPERTY RIGHTS, OR DATA PROTECTION AND OTHER PRIVACY RIGHTS. YOU SHALL NOT USE THIS PRODUCT FOR ANY PROHIBITED END-USES, INCLUDING THE DEVELOPMENT OR PRODUCTION OF WEAPONS OF MASS DESTRUCTION, THE DEVELOPMENT OR PRODUCTION OF CHEMICAL OR BIOLOGICAL WEAPONS, ANY ACTIVITIES IN THE CONTEXT RELATED TO ANY NUCLEAR EXPLOSIVE OR UNSAFE NUCLEAR FUEL-CYCLE, OR IN SUPPORT OF HUMAN RIGHTS ABUSES.

IN THE EVENT OF ANY CONFLICTS BETWEEN THIS MANUAL AND THE APPLICABLE LAW, THE LATTER PREVAILS.

Data Protection
During the use of device, personal data will be collected, stored and processed. To protect data, the development of Hikvision devices incorporates privacy by design principles. For example, for device with facial recognition features, biometrics data is stored in your device with encryption method; for fingerprint device, only fingerprint template will be saved, which is impossible to reconstruct a fingerprint image. As data controller, you are advised to collect, store, process and transfer data in accordance with the applicable data protection laws and regulations, including without limitation, conducting security controls to safeguard personal data, such as, implementing reasonable administrative and physical security controls, conduct periodic reviews and assessments of the effectiveness of your security controls.

2 Installation

Devices support wall mounting.

Installation Accessory Description

The wall mounting plate and junction box are required to install the indoor station onto the wall. The dimension of the mounting plate is shown as below.

 The mounting plate is supplied. The junction box is not supplied.

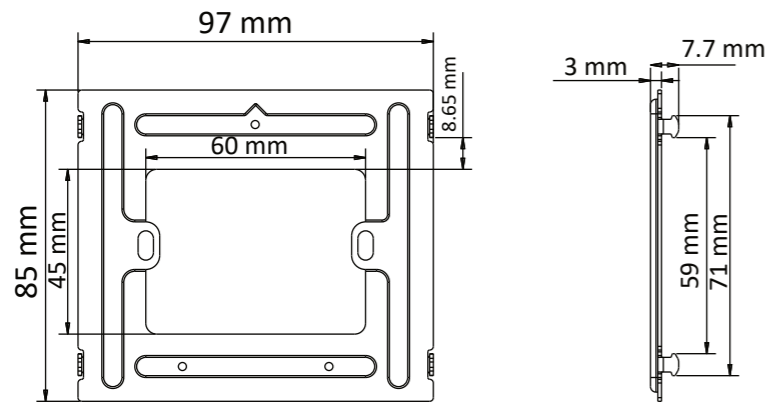
Before You Start

Make sure the device in the package is in good condition and all the assembly parts are included.

The power supply the indoor station supported is 12 VDC. Or the standard PoE is supported. Please make sure your power supply matches your indoor station.

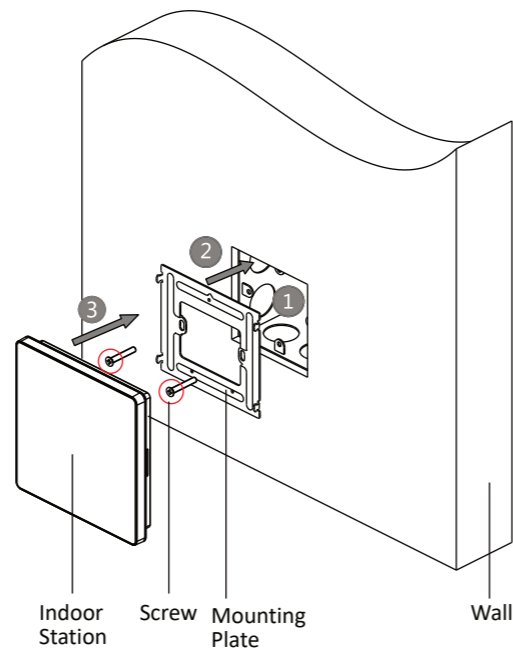
Make sure all related equipments are powered-off during the installation.

Check the product specification for the installation environment.



Wall Mounting with Junction Box

1. Chisel a hole in the wall. Insert the junction box to the hole.
2. Fix the wall mounting plate to the junction box with 2 SC-KM4X25 screws.
3. Hook the indoor station to the wall mounting plate tightly by inserting the plate hooks into slots on the rear panel of the indoor station, during which the lock catch will be locked automatically.



3 Activation and Quick Operation

Activation of DS-KH6110-WE1

After powering on, the device will automatically enter the page of **Language Settings**.


1. Select language and tap **OK**.
2. Create an activation password and confirm the password. Tap **OK**.

Quick Operation of DS-KH6110-WE1

After setting language and activation password, you will need to finish a quick operation by following the wizard.

1. Set password reset method and tap **Next**.
- Enter the *Reserved Email address*, and then you can reset the password by email. Tap **Change to Security Question** to modify the password reset method.
2. Set **Network** parameters and tap **Next**.
3. Configure the **Indoor Station** and tap **Next**.
4. Enable **Wi-Fi** function, select a Wi-Fi and enter the password to link. Tap **Next**.
5. Set **Time** parameters and tap **Next**.
6. Tap to enable the **Hik-Connect Service** and tap **Next**.
7. Select a door station from the list or enter the serial No. to search for the device. Tap the selected device to link. Tap **Next**.
8. Tap to enable **Indoor Extension**. Select an extension from the list or enter the serial No. to search for the device. Tap the selected device to link.
9. Tap **Finish** to save the settings.

Activate DS-KH6100-E1/DS-KH6000-E1 via iVMS-4200 Client Software

 You can only configure and operate the device after creating a password for the device activation.

1. Power on the device.
2. Run the client software, click **Maintenance and Management** → **Device Management** → **Device** to enter the page.
3. Click **Online Device** to show the online device area. The searched online devices are displayed in the list.
4. Check the device status (shown on **Security Level** column) and select your device.
5. Click **Activate** to open the Activation dialog.
6. Create a password in the password field, and confirm the password.
7. Click **OK** to activate the device.



STRONG PASSWORD RECOMMENDED— We highly recommend you create a strong password of your own choosing (using a minimum of 8 characters, including upper case letters, lower case letters, numbers, and special characters) in order to increase the security of your product. And we recommend you reset your password regularly, especially in the high security system, resetting the password monthly or weekly can better protect your product.

If a power adapter is provided in the device package, use the provided adapter only. If no power adapter is provided, ensure the power adapter or other power supply complies with Limited Power Source. Refer to the product label for the power supply output parameters.

Если адаптер питания входит в комплект поставки устройства, используйте только прилагаемый адаптер. Если адаптер питания не входит в комплект поставки, убедитесь, что используемый вами адаптер питания или источник питания соответствует требованиям к ограничению мощности. Выходные параметры источника питания указаны на его паспортной табличке.

Amennyiben a készülék csomagja tartalmaz hálózati adaptert, kizárólag a mellékelt adaptert használja. Ha a csomag nem tartalmaz hálózati adaptert, bizonyosodjon meg, hogy a használt hálózati adapter vagy más tápegység megfelelnek a korlátozott áramforrásokra vonatkozó előírásoknak. A tápegység teljesítményének paramétereit a termék címkéjén találhatók.

Wenn im Lieferumfang des Geräts ein Netzteil enthalten ist, verwenden Sie nur das mitgelieferte Netzteil. Wenn kein Netzteil mitgeliefert wird, stellen Sie sicher, dass das Netzteil oder eine andere Stromversorgung den Anforderungen an eine Stromquelle mit begrenzter Leistung entspricht. Die Ausgangsparameter des Netzteils sind auf dem Produktaufkleber angegeben.

Utilizzare solo l'alimentatore in dotazione, se incluso nella confezione del dispositivo. Se l'alimentatore non è incluso, accertarsi di utilizzare un modello conforme allo standard sulle fonti di alimentazione limitate. Consultare l'etichetta del prodotto per i parametri dell'uscita di alimentazione.

Pokud je v balení zařízení dodán napájecí adaptér, použijte pouze dodaný adaptér. Pokud není napájecí adaptér dodán, zajištěte, aby napájecí adaptér nebo jiný napájecí zdroj vyhovoval požadavkům na omezený zdroj napájení. Parametry výstupu napájení viz štítek výrobku.

Ak bolo zariadenie dodané s napájacím adaptérom, použite iba dodaný adaptér. Ak napájací adaptér nie je dodaný, uistite sa, že napájací adaptér alebo iný zdroj napájania vyhovuje obmedzenému zdroju napájania. Parametre výstupu napájacieho zdroja nájdete na štítku produktu.

Si un adaptateur secteur est fourni dans l'emballage de l'appareil, n'utilisez que l'adaptateur fourni. Si aucun adaptateur secteur n'est fourni, assurez-vous que l'adaptateur secteur ou toute autre source d'alimentation est conforme à la source d'alimentation limitée. Reportez-vous à l'étiquette du produit pour connaître les paramètres de sortie de l'alimentation.

Jeżeli w pakiecie z urządzeniem dostarczony jest zasilacz, należy używać wyłącznie tego zasilacza. Jeżeli zasilacz nie jest dostarczony w pakiecie z urządzeniem, należy używać zasilacza zgodnego z wymaganiami dotyczącymi źródeł zasilania z własnym ograniczeniem (LPS, Limited Power Source). Informacje dotyczące wymaganego zasilania podano na etykiecie produktu.

Als een voedingsadapter in de verpakking van het apparaat is geleverd, mag u alleen deze adapter gebruiken. Als er geen voedingsadapter is meegeleverd, moet u ervoor zorgen dat de voedingsadapter of een andere stroombron voldoet aan de Bepaalde voedingsbron. Raadpleeg het productlabel voor de parameters voor de stroomuitvoer.

Se a embalagem do dispositivo incluir um adaptador de alimentação, utilize apenas o adaptador fornecido. Se não for fornecido um adaptador, certifique-se de que o adaptador de alimentação ou qualquer outra fonte de alimentação está em conformidade com a Fonte de Alimentação Limitada. Consulte a etiqueta do produto para obter os parâmetros nominais da fonte de alimentação.

Si el paquete del dispositivo incluye un adaptador de corriente, utilice únicamente el adaptador suministrado. Si no se suministra un adaptador de corriente, asegúrese de que el adaptador de corriente u otra fuente de alimentación que utilice cumple con el límite de la fuente de alimentación. Consulte la etiqueta del producto para conocer los parámetros de salida de la fuente de alimentación.

Dacă dispozitivul se furnizează cu un adaptor de alimentare, utilizați-l numai pe acesta. Dacă nu se furnizează niciun adaptor de alimentare, asigurați-vă că adaptorul sau o altă alimentare electrică este compatibilă cu sursa de alimentare limitată. Pentru parametrii de ieșire ai alimentării electrice, consultați eticheta produsului.

Hvis en strømadapter følger med i enhedens pakke, må du kun bruge den medfølgende adapter. Hvis der ikke medfølger en strømadapter, skal du sikre, at strømadapteren eller en anden strømforsyning overholder LPS (Limited Power Source). Find strømforsynings udgangsparametre i produktets mærkat.

Cihaz paketinde bir güç adaptörü varsa, sadece verilen adaptörü kullanın. Güç adaptörü verilmedyse, güç adaptörünün veya diğer güç kaynağının Sınırlı Güç Kaynağı ile uyumlu olduğundan emin olun. Güç kaynağı çıkış parametreleri için ürün etiketine bakın.

في حال توفر محول طاقة في عبوة الجهاز، استخدم المحول المرفق فقط. في حال عدم توفر محول طاقة، تأكد من توافق محول الطاقة أو مصدر الطاقة الأخر مع مصدر الطاقة المحدود. راجع ملصق المنتج للاطلاع على معلمات خرج مصدر الطاقة.

Якщо блок живлення входить у комплект поставки, використовуйте тільки наданий блок живлення. Якщо блок живлення не входить у комплект поставки, переконатися, що блок живлення або інше джерело живлення відповідає вимогам до джерел живлення обмеженої потужності. Вимоги до вихідних параметрів джерела живлення див. на етикетці виробу.

Jika adaptor daya disediakan dalam kemasan perangkat, hanya gunakan adaptor yang disediakan. Jika adaptor daya tidak disediakan, pastikan adaptor daya atau catu daya lain sesuai dengan Sumber Daya Terbatas. Lihat label produk untuk parameter output catu daya.

ကိရိယာ ထုတ်ပေးမှုတွင် ပါဝင် အခတ်ပတာ ထည့်သွင်းပါရှိပါက၊ ပေးထားသော အခတ်ပတာကိုသာ အသုံးပြုပါ။ ပါဝင် အခတ်ပတာ ပါရှိခြင်းမရှိပါက၊ ပါဝင်ရင်းမြစ် ကန့်သတ်မှုနှင့် ကိုက်ညီသော ပါဝင် အခတ်ပတာ သို့မဟုတ် အခြား ပါဝင် ပေးသွင်းမှုများကို သုံးစွဲရန် ဂရုပြုပါ။ ပါဝင်ပေးသွင်းမှု အတွက် ကန့်သတ်ချက်များအတွက် ထုတ်ကုန်တွင် ရေးထားသောချက်ကို ကိုက်ညီပါ။