

The HIKVISION logo is displayed on a red horizontal bar. The word "HIKVISION" is written in a white, italicized, sans-serif font. To the left of the text, there is a white diagonal stripe that tapers to the left.

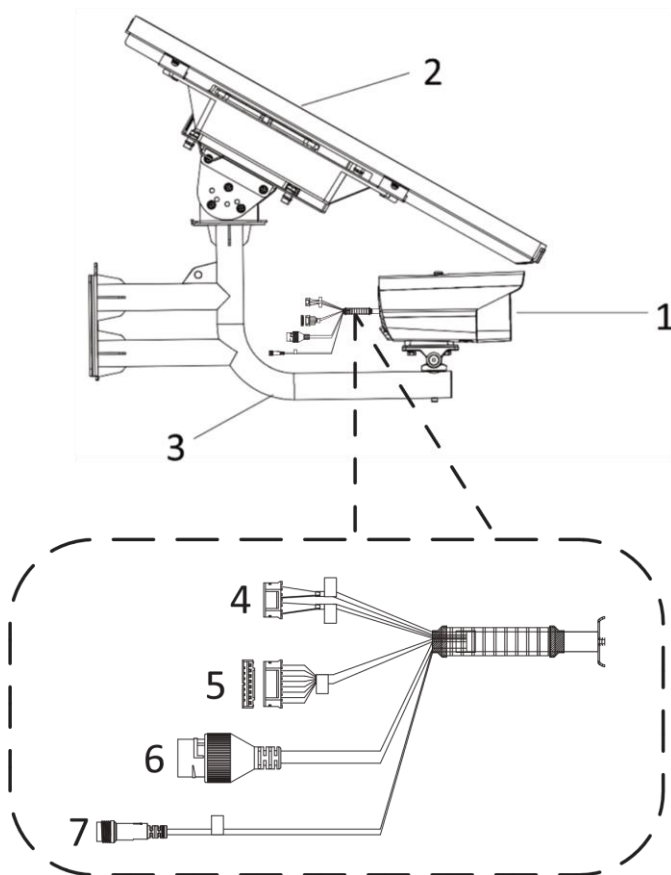
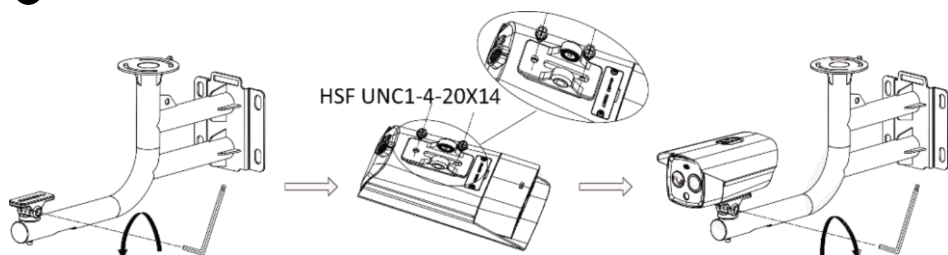
HIKVISION

Solar-Powered Thermal Camera Kit

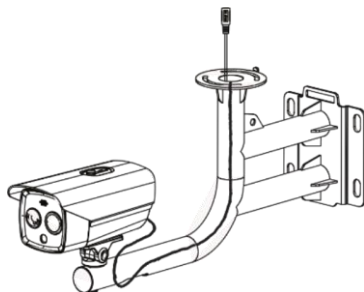
Quick Start Guide

Table of Contents

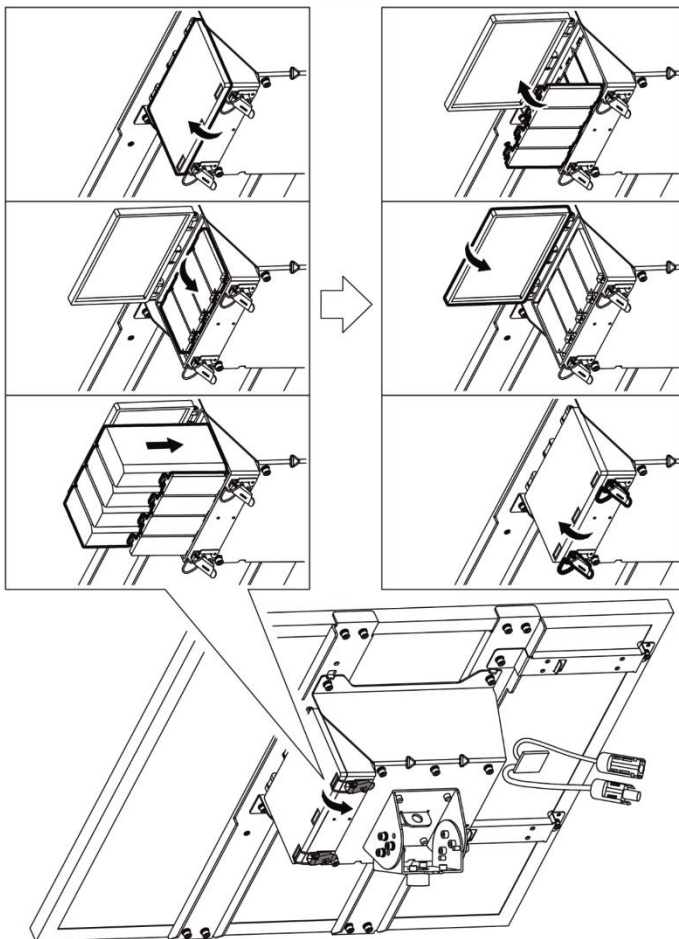
English	10	Bahasa Indonesia	79
Français	15	မြန်မာ	84
Deutsch	20	Türkçe	92
Español	27	Русский	97
Italiano	32	Українська	103
Português	37	한국어	108
Nederlands	42	日本語	113
Čeština	48	繁體中文	119
Dansk	53		
Magyar	58		
Polski	63		
Română	68		
Slovenčina	74		

A**B****1**

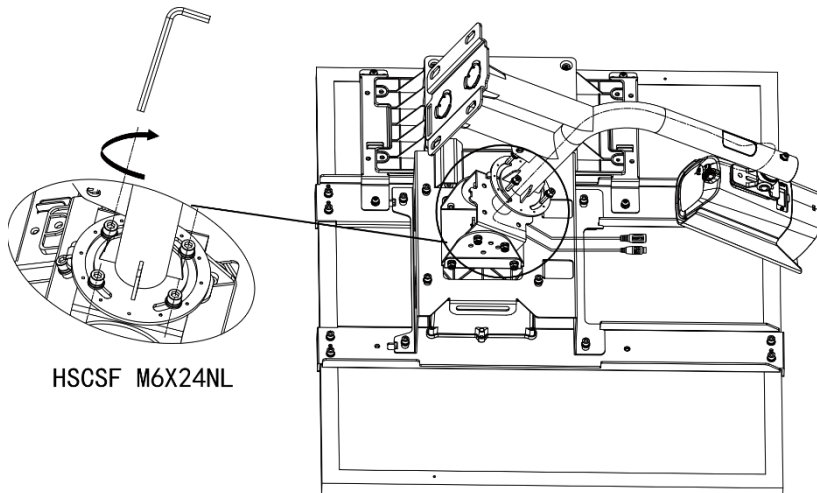
2



3

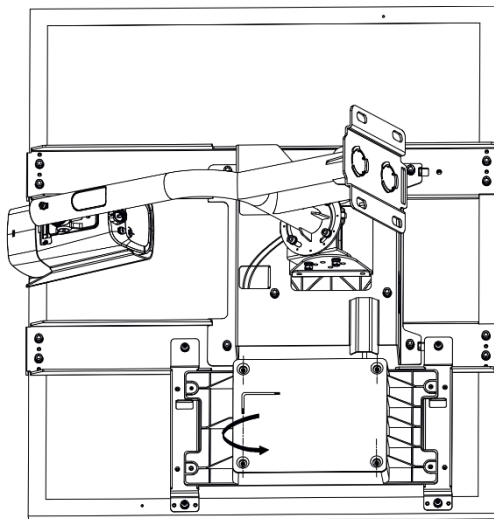


4

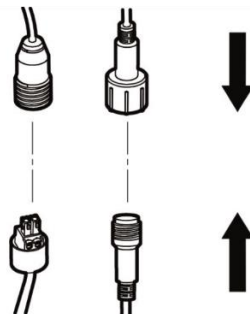
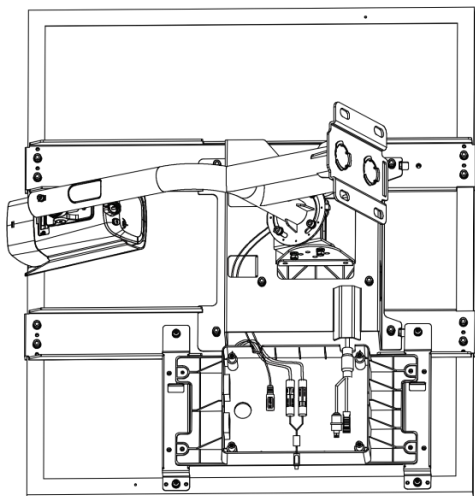


HSCSF M6X24NL

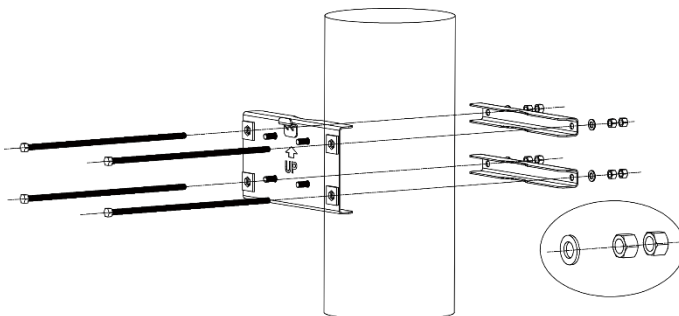
5



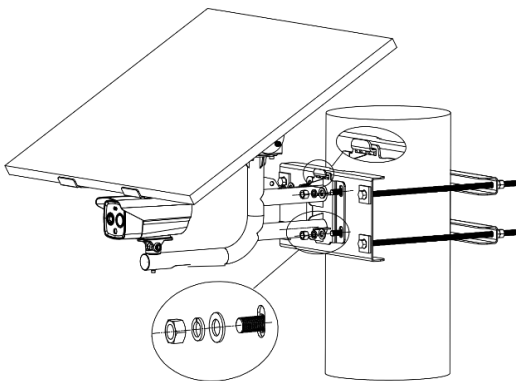
6



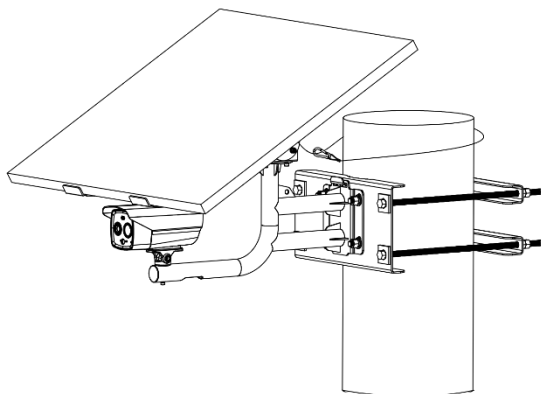
7



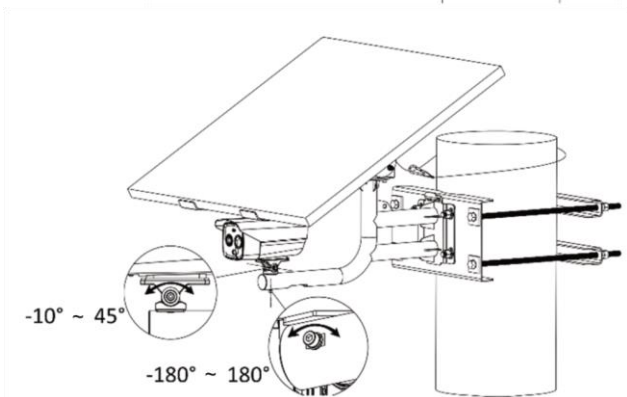
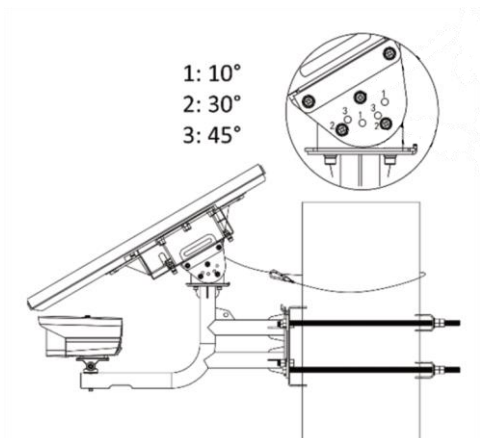
8



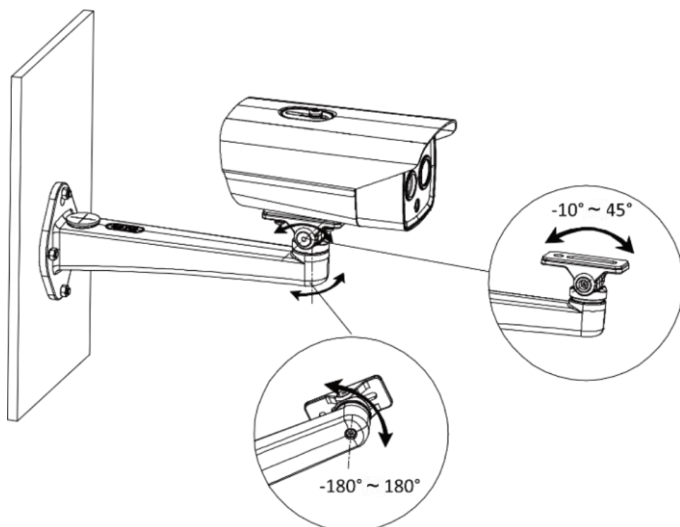
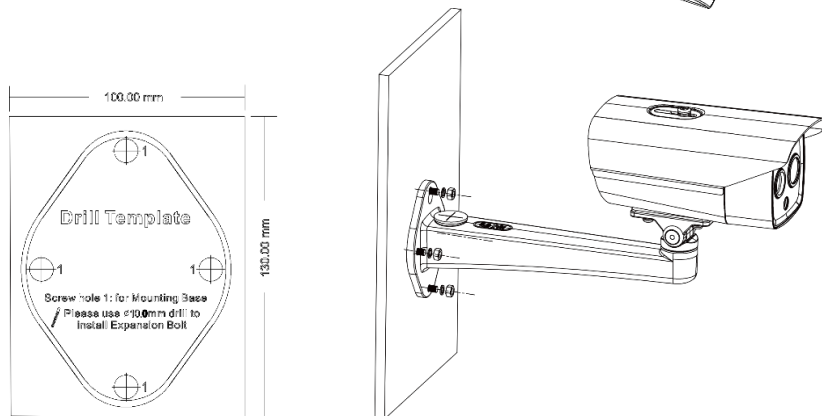
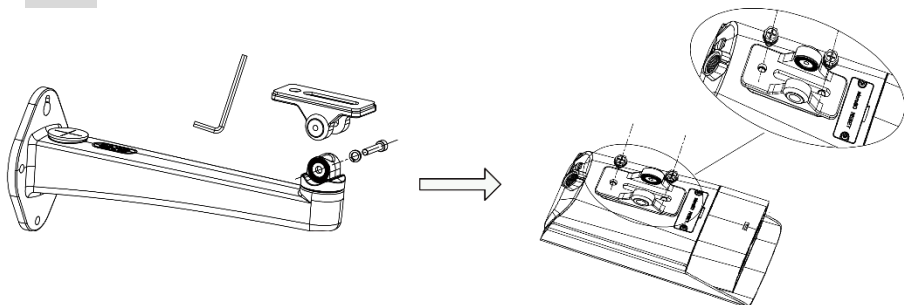
9



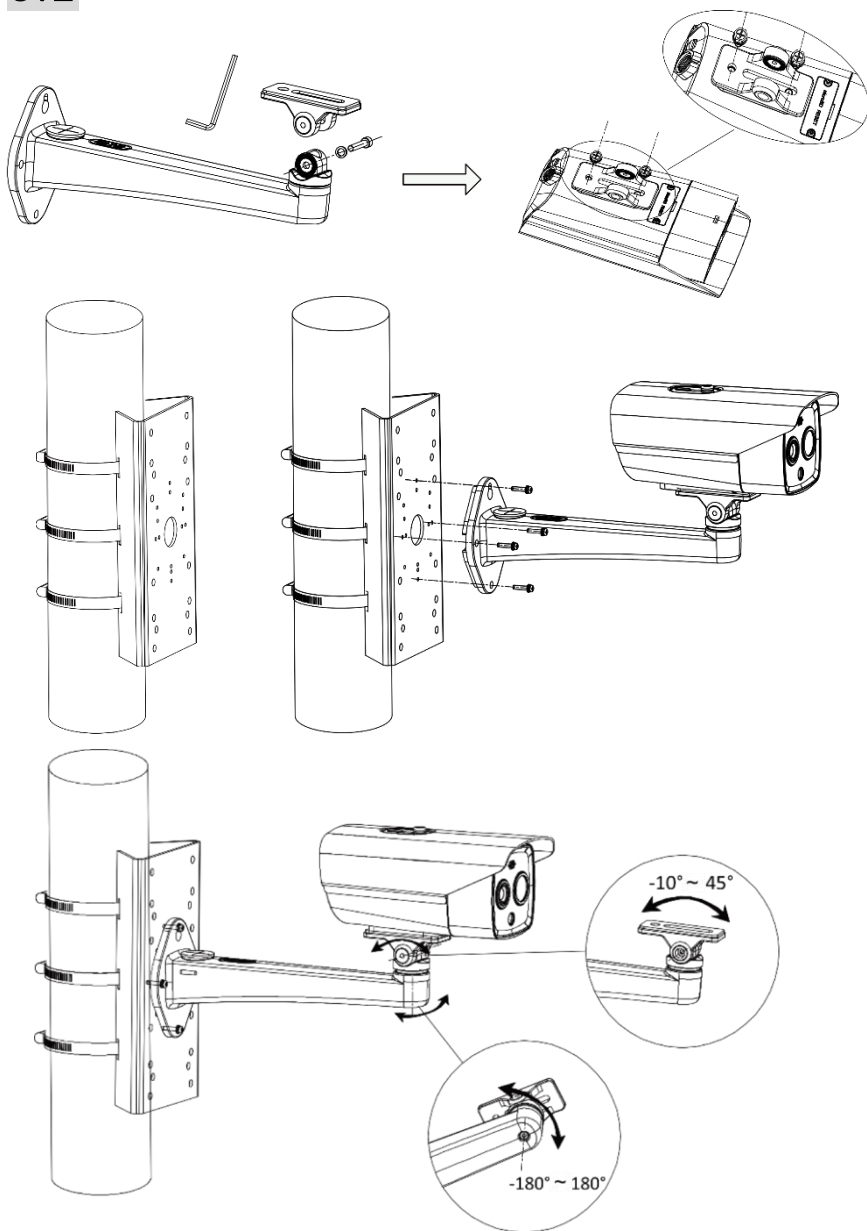
10



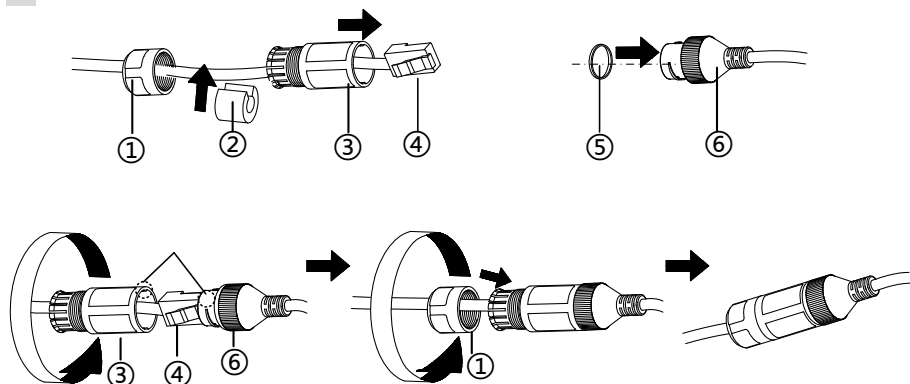
C
C.1



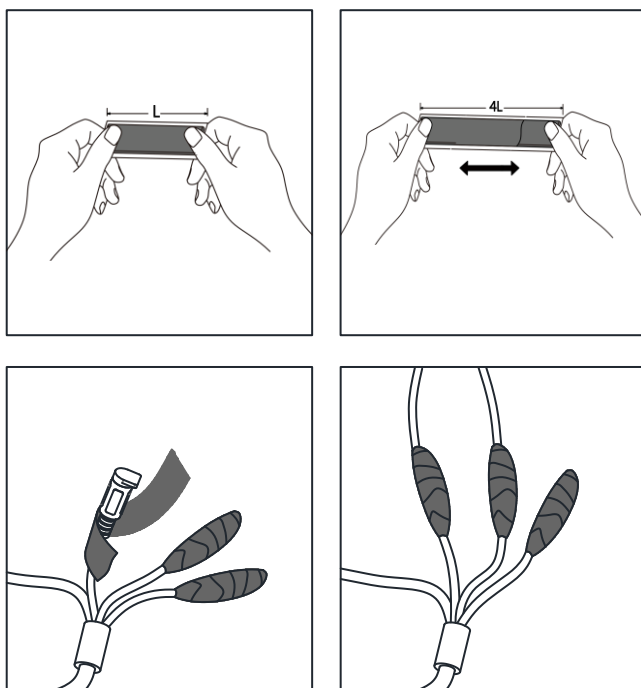
C.2



D



E



F



1



2



Product appearance is for reference only and may differ from the actual product.

Appearance (Page 1 – A)

Component & Cable

No.	Component & Interface
1	Camera
2	Solar Photovoltaic Panel
3	Connecting Bracket
4	Audio In, Audio Out
5	Alarm In × 2, Alarm Out × 2
6	Network Cable
7	RS-485, Power Cable

Install the Camera Kit (Page 1 – B)

Steps:

1. Install the camera on the connecting bracket.
 - 1) Loosen and remove the screws on the side of the bracket to disassemble the base.
 - 2) Fix the base to the bottom of the camera with two HSF UNC1-4-20X12 screws.
 - 3) Align the holes on the base with the holes on the bracket, and fix the base to the bracket with the screws removed before.
2. Thread the longer cables such as the power and RS-485 cable through the connecting bracket, and wrap other cables with waterproof tapes for sealing.
3. Install the battery into the solar photovoltaic panel.

Note: The solar battery is not included in the package. Please purchase it separately.
4. Install the connecting bracket to the solar panel. Thread the RS-485 and power cable through the holes on the shift panel, align the hole on the connecting bracket with the hole on the shift panel, and tighten the screws to fix them.
5. Loosen and remove the screws to disassemble the wire box cover.
6. Thread the solar panel output cable and the battery output cable through the holes of the wire box, and thread the power and RS-485 cable of the camera through the via holes of the shift panel and wire box. Connect the cables and tighten the screws to install the wire box cover.

Note: Wrap the joint position with waterproof tapes for sealing.

7. Select a proper height to install the kit. Take out the vertical pole mount, screw packet for mount, and mount bar, thread the installation holes on the vertical pole mount and the mount bar with four M12 bolts, and tighten each bolt with a flat gasket and two nuts.
8. Hook the kit on the vertical pole mount bracket, and fix the kit with the flat gaskets, spring washers, and nuts.
9. Wind the safety rope around the vertical pole, and buckle the lock catch on the safety rope.
10. Adjust the angles of the solar PV panel and the camera.

Install the Single Camera (Page 6 – C)

Wall Mount (Page 6 – C.1)

Steps:

1. Loosen and remove the screws on the side of the bracket to disassemble the base, and fix the base to the bottom of the camera with two UNC1-4 screws.
2. Align the holes on the base with the holes on the bracket, and fix the base to the bracket with the screws removed before.
3. Drill four holes on the wall according to the drill template.
4. Fix the camera on the wall with expansion bolts, gaskets and nuts.
5. Loosen the screws at the joint to adjust the tilt angle of the camera, and loosen the screws at the bottom of the base to adjust the pan angle of the camera. Tighten the screws after the adjustment.

Pole Mount (Page 7 – C.2)

1. Loosen and remove the screws on the side of the bracket to disassemble the base, and fix the base to the bottom of the camera with two UNC1-4 screws.
2. Align the holes on the base with the holes on the bracket, and fix the base to the bracket with the screws removed before.
3. Thread the pole mount bracket with three quick locking hoops, and fix the bracket on the pole.
4. Fix the camera to the pole mount bracket with four M4 screws.
5. Loosen the screws at the joint to adjust the tilt angle of the camera, and loosen the screws at the bottom of the base to adjust the pan angle of the camera. Tighten the

screws after the adjustment.

Waterproof Method (Page 8)

1. Install network cable waterproof jacket (Page 8 - D).
2. Use supplied waterproof tape to protect cable connectors and unused cables (Page 8 - E).

Protective Measures (Page 9 – F – 1)

Activate and Access Device (Page 9 – F – 2)

User Manual



Regulatory Compliance and Safety Information

Read all information and instructions in this document carefully before using the device and keep it for further reference.

For more device information and instructions, please visit our website at <https://www.hikvision.com>. You can also refer to other documents (if any) accompanying the device or scan the QR code (if any) on the packaging to get more information.

Legal Information

©Hangzhou Hikvision Digital Technology Co., Ltd. All rights reserved.

About this Manual

The Manual includes instructions for using and managing the Product. Pictures, charts, images and all other information hereinafter are for description and explanation only. The information contained in the Manual is subject to change, without notice, due to firmware updates or other reasons. Please find the latest version of this Manual at the Hikvision website (<https://www.hikvision.com/>).

Please use this Manual with the guidance and assistance of professionals trained in supporting the Product.

Trademarks

HIKVISION and other Hikvision's trademarks and logos are the properties of Hikvision in various jurisdictions.

Other trademarks and logos mentioned are the properties of their respective owners.

DISCLAIMER

TO THE MAXIMUM EXTENT PERMITTED BY APPLICABLE LAW, THIS MANUAL AND THE PRODUCT DESCRIBED, WITH ITS HARDWARE, SOFTWARE AND FIRMWARE, ARE PROVIDED "AS IS" AND "WITH ALL FAULTS AND ERRORS". HIKVISION MAKES NO WARRANTIES, EXPRESS OR IMPLIED, INCLUDING WITHOUT LIMITATION, MERCHANTABILITY, SATISFACTORY QUALITY, OR FITNESS FOR A PARTICULAR PURPOSE. THE USE OF THE PRODUCT BY YOU IS AT YOUR OWN RISK. IN NO EVENT WILL HIKVISION BE LIABLE TO YOU FOR ANY SPECIAL, CONSEQUENTIAL, INCIDENTAL, OR INDIRECT DAMAGES, INCLUDING, AMONG OTHERS, DAMAGES FOR LOSS OF BUSINESS PROFITS, BUSINESS INTERRUPTION, OR LOSS OF DATA, CORRUPTION OF SYSTEMS, OR LOSS OF DOCUMENTATION, WHETHER BASED ON BREACH OF CONTRACT, TORT (INCLUDING NEGLIGENCE), PRODUCT LIABILITY, OR OTHERWISE, IN CONNECTION WITH THE USE OF THE PRODUCT, EVEN IF HIKVISION HAS BEEN ADVISED OF THE POSSIBILITY OF SUCH DAMAGES OR LOSS. YOU ACKNOWLEDGE THAT THE NATURE OF THE INTERNET PROVIDES FOR INHERENT SECURITY RISKS, AND HIKVISION SHALL NOT TAKE ANY RESPONSIBILITIES FOR ABNORMAL OPERATION, PRIVACY LEAKAGE OR OTHER DAMAGES RESULTING FROM CYBER-ATTACK, HACKER ATTACK, VIRUS INFECTION, OR OTHER INTERNET SECURITY RISKS; HOWEVER, HIKVISION WILL PROVIDE TIMELY TECHNICAL SUPPORT IF REQUIRED. YOU AGREE TO USE THIS PRODUCT IN COMPLIANCE WITH ALL APPLICABLE LAWS, AND YOU ARE SOLELY RESPONSIBLE FOR ENSURING THAT YOUR USE CONFORMS TO THE APPLICABLE LAW. ESPECIALLY, YOU ARE RESPONSIBLE, FOR USING THIS PRODUCT IN A MANNER THAT DOES NOT INFRINGE ON THE RIGHTS OF THIRD PARTIES, INCLUDING WITHOUT LIMITATION, RIGHTS OF PUBLICITY, INTELLECTUAL PROPERTY RIGHTS, OR DATA PROTECTION AND OTHER PRIVACY RIGHTS. YOU SHALL NOT USE THIS PRODUCT FOR ANY PROHIBITED END-USES, INCLUDING THE DEVELOPMENT OR PRODUCTION OF WEAPONS OF MASS DESTRUCTION, THE DEVELOPMENT OR PRODUCTION OF CHEMICAL OR BIOLOGICAL WEAPONS, ANY ACTIVITIES IN THE CONTEXT RELATED TO ANY NUCLEAR EXPLOSIVE OR UNSAFE NUCLEAR FUEL-CYCLE, OR IN SUPPORT OF HUMAN RIGHTS ABUSES.

IN THE EVENT OF ANY CONFLICTS BETWEEN THIS MANUAL AND THE APPLICABLE LAW, THE LATTER PREVAILS.

Regulatory Information

These clauses apply only to the products bearing the corresponding mark or information.

FCC Compliance Statement


Please take attention that changes or modification not expressly approved by the party responsible for compliance could void the user's authority to operate the equipment. This device complies with part 15 of the FCC Rules. Operation is subject to the following two conditions:

- (1) this device may not cause harmful interference, and
- (2) this device must accept any interference received, including interference that may cause undesired operation.

This equipment complies with FCC radiation exposure limits set forth for an uncontrolled environment. This equipment should be installed and operated with minimum distance 20cm between the radiator & your body.

Note: This equipment has been tested and found to comply with the limits for a Class A digital device, pursuant to part 15 of the FCC Rules. These limits are designed to provide reasonable protection against harmful interference when the equipment is operated in a commercial environment. This equipment generates, uses, and can radiate radio frequency energy and, if not installed and used in accordance with the instruction manual, may cause harmful interference to radio communications. Operation of this equipment in a residential area is likely to cause harmful interference in which case the user will be required to correct the interference at his own expense.

EU Compliance Statement

 This product and - if applicable - the supplied accessories too are marked with "CE" and comply therefore with the applicable harmonized European standards listed under the Directive 2014/30/EU (EMCD), Directive 2014/35/EU (LVD), Directive 2011/65/EU (RoHS).

Hereby, Hangzhou Hikvision Digital Technology Co., Ltd. declares that this device (refer to the label) is in compliance with Directive 2014/53/EU.

The full text of the EU declaration of conformity is available at the following internet address:

<https://www.hikvision.com/en/support/compliance/declaration-of-conformity>.

Frequency Bands and Power (for CE)

The frequency bands and transmitting power (radiated and/or conducted) nominal limits applicable to the following radio equipment are as follows:

Wi-Fi 2.4 GHz (2.4 GHz to 2.4835 GHz): 20 dBm.

For Equipment Model: DS-2TD*GLT, DS-2TXS*GLT*.

LTE FDD:

Band 1: 1920 to 1980 MHz, 23 dBm, class 3;
Band 3: 1710 to 1785 MHz, 23 dBm, class 3;
Band 5: 824 to 849 MHz, 23 dBm, class 3;
Band 7: 2500 to 2570 MHz, 23 dBm, class 3;
Band 8: 880 to 915 MHz, 23 dBm, class 3;
Band 20: 832 to 862 MHz, 23 dBm, class 3;
Band 28: 703 to 748 MHz, 23 dBm, class 3.

LTE TDD:

Band 38: 2570 to 2620 MHz, 23 dBm, class 3;
Band 40: 2300 to 2400 MHz, 23dBm, class 3;
Band 41: 2555 to 2655 MHz, 23 dBm, class 3.

WCDMA:

Band 1: 1920 to 1980 MHz, 23.5 dBm, class 3;
Band 5: 824 to 849 MHz, 23.5 dBm, class 3;
Band 8: 880 to 915 MHz, 23.5 dBm, class 3.

For Equipment Model: DS-2TD*GLT(JP), DS-2TXS*GLT*(JP).

LTE FDD:

Band 1: 1920 to 1980 MHz, 23 dBm, class 3;
Band 3: 1710 to 1785 MHz, 23 dBm, class 3;
Band 8: 880 to 915 MHz, 23 dBm, class 3;
Band11: 1427.9 to 1452.9 MHz, 23 dBm, class 3;
Band18: 815 to 830 MHz, 23 dBm, class 3;
Band19: 830 to 845 MHz, 23 dBm, class 3;
Band21: 1447.9 to 1462.9 MHz, 23 dBm, class 3;
Band26: 814 to 849 MHz, 23 dBm, class 3;
Band 28: 703 to 748 MHz, 23 dBm, class 3.

LTE TDD:

Band 41: 2535 to 2655 MHz, 23 dBm, class 3.

WCDMA:

Band 1: 1920 to 1980 MHz, 23.5 dBm, class 3;
Band 6: 832.4 to 837.6 MHz, 23.5 dBm, class

3;
 Band 8: 880 to 915 MHz, 23.5 dBm, class 3;
 Band19: 830 to 845 MHz, 23.5 dBm, class 3.

**For Equipment Model: DS-2TD*GLT(LA),
 DS-2TXS*GLT*(LA), DS-2TD*GLT(BR),
 DS-2TXS*GLT*(BR).**

LTE FDD:
 Band 1: 1920 to 1980 MHz, 23 dBm, class 3;
 Band 2: 1850 to 1910 MHz, 23 dBm, class 3;
 Band 3: 1710 to 1785 MHz, 23 dBm, class 3;
 Band 4: 1710 to 1755 MHz, 23 dBm, class 3;
 Band 5: 824 to 849 MHz, 23 dBm, class 3;
 Band 7: 2500 to 2570 MHz, 23 dBm, class 3;
 Band 8: 880 to 915 MHz, 23 dBm, class 3;
 Band 12: 699 to 716 MHz, 23 dBm, class 3;
 Band 17: 704 to 716 MHz, 23 dBm, class 3;
 Band 28: 703 to 748 MHz, 23 dBm, class 3;
 Band 66: 1710 to 1780 MHz, 23 dBm, class 3.

LTE TDD:
 Band 38: 2570 to 2620 MHz, 23 dBm, class 3;
 Band 40: 2300 to 2400 MHz, 23 dBm, class 3.

WCDMA:
 Band1: 1920 to 1980 MHz, 23.5 dBm, class 3;
 Band2: 1850 to 1910 MHz, 23.5 dBm, class 3;
 Band3: 1710 to 1785 MHz, 23.5 dBm, class 3;
 Band5: 824 to 849 MHz, 23.5 dBm, class 3;
 Band8: 880 to 915 MHz, 23.5 dBm, class 3.

GSM/GPRS/EDGE:
 Band GSM850: 850 MHz, 32.5 dBm, class 3;
 Band GSM900: 900 MHz, 32.5 dBm, class 3;
 Band DCS1800: 1800 MHz, 29.5 dBm, class 3.

For the device without a supplied power adapter, use the power adapter provided by a qualified manufacturer. Refer to the product specification for detailed power requirements.

For the device without a supplied battery, use the battery provided by a qualified manufacturer. Refer to the product specification for detailed battery requirements.

● **Warning:** This is a class A product. In a domestic environment this product may cause radio interference, in which case, the user may be required to take adequate measures.



2012/19/EU (WEEE directive):
 Products marked with this symbol cannot be disposed of as unsorted municipal waste in the European

Union. For proper recycling, return this product to your local supplier upon the

purchase of equivalent new equipment, or dispose of it at designated collection points. For more information see: www.recyclethis.info.



2006/66/EC and its amendment 2013/56/EU (battery directive): This product contains a battery that cannot be disposed of as unsorted municipal waste in the European Union. See the product documentation for specific battery information. The battery is marked with this symbol, which may include lettering to indicate cadmium (Cd), lead (Pb), or mercury (Hg). For proper recycling, return the battery to your supplier or to a designated collection point. For more information see: www.recyclethis.info.

Safety Instructions

These instructions are intended to ensure that user can use the product correctly to avoid danger or property loss. Please read all the safety information carefully before using.

Laws and Regulations

The device should be used in compliance with local laws, electrical safety regulations, and fire prevention regulations.

Transportation

- Keep the device in original or similar packaging while transporting it.
- Keep all wrappers after unpacking them for future use. In case of any failure occurred, you need to return the device to the factory with the original wrapper.
- Transportation without the original wrapper may result in damage on the device and the company shall not take any responsibilities.
- Do not drop the product or subject it to physical shock. Keep the device away from magnetic interface.

Power Supply


- Please purchase the charger by yourself. Input voltage should meet the Limited Power Source (12 VDC) according to the IEC62368 standard. Please refer to technical specifications for detailed information.
- Make sure the plug is properly connected to the power socket.
- The socket-outlet shall be installed near the equipment and shall be easily accessible.
- DO NOT connect multiple devices to one power adapter, to avoid over-heating or fire hazards caused by overload.
- DO NOT touch the bare metal contacts of the inlets after the circuit breaker is turned off. Electricity still exists.

- + identifies the positive terminal(s) of equipment which is used with, or generates direct current. - identifies the negative terminal(s) of equipment which is used with, or generates direct current.
- Ensure correct wiring of the terminals for connection to an AC mains supply.

Battery

- Risk of explosion if the battery is replaced by an incorrect type. Dispose of used batteries according to the instructions.
- The built-in battery cannot be dismantled. Please contact the manufacture for repair if necessary.
- For long-term storage of the battery, make sure it is fully charged every half year to ensure the battery quality. Otherwise, damage may occur.
- This equipment is not suitable for use in locations where children are likely to be present.
- Improper replacement of the battery with an incorrect type may defeat a safeguard (for example, in the case of some lithium battery types).
- DO NOT dispose of the battery into fire or a hot oven, or mechanically crush or cut the battery, which may result in an explosion.
- DO NOT leave the battery in an extremely high temperature surrounding environment, which may result in an explosion or the leakage of flammable liquid or gas.
- DO NOT subject the battery to extremely low air pressure, which may result in an explosion or the leakage of flammable liquid or gas.

Light Illuminator (If supported)

-  CAUTION: Possibly hazardous optical radiation emitted from this product. DO NOT stare at operating lamp. May be harmful to the eyes. Wear appropriate eye protection or DO NOT turn on the white light when you assemble, install or maintain the camera.

RISK GROUP 2
CAUTION Possibly hazardous optical radiation emitted from this product. Do not stare at operating lamp. May be harmful to the eyes.

Installation

- Never place the equipment in an unstable location. The equipment may fall, causing serious personal injury or death.
- This equipment is for use only with corresponding brackets. Use with other (carts,

stands, or carriers) may result in instability causing injury.

System Security

- You acknowledge that the nature of Internet provides for inherent security risks, and our company shall not take any responsibilities for abnormal operation, privacy leakage or other damages resulting from cyber attack, hacker attack, however, our company will provide timely technical support if required.
- Please enforce the protection for the personal information and the data security as the device may be confronted with the network security problems when it is connected to the Internet. Please contact us when the device might exist network security risks.
- Please understand that you have the responsibility to configure all the passwords and other security settings about the device, and keep your user name and password.

Maintenance


- If the product does not work properly, please contact your dealer or the nearest service center. We shall not assume any responsibility for problems caused by unauthorized repair or maintenance.
- A few device components (e.g., electrolytic capacitor) require regular replacement. The average lifespan varies, so periodic checking is recommended. Contact your dealer for details.
- Wipe the device gently with a clean cloth and a small quantity of ethanol, if necessary.
- If the equipment is used in a manner not specified by the manufacturer, the protection provided by the device may be impaired.
- To reduce the risk of fire, replace only with the same type and rating of fuse.
- The serial port of the equipment is used for debugging only.
- Disconnect the power source during servicing.

Using Environment

- Make sure the running environment meets the requirement of the device. The operating temperature shall be -40 °C to 65 °C (-40 °F to 149 °F), and the operating humidity shall be 5% to 95%, no condensing.
- DO NOT expose the device to high electromagnetic radiation or dusty environments.
- DO NOT aim the lens at the sun or any other bright light.
- The equipment shall not be exposed to

dripping or splashing and that no objects filled with liquids, such as vases, shall be placed on the equipment.

- No naked flame sources, such as lighted candles, should be placed on the equipment.
- Provide a surge suppressor at the inlet opening of the equipment under special conditions such as the mountain top, iron tower, and forest.

-  Burned fingers when handling the parts with symbol. Wait one-half hour after switching off before handling the parts.

Emergency

- If smoke, odor, or noise arises from the device, immediately turn off the power, unplug the power cable, and contact the service center.

Manufacture Address

No.555 Qianmo Road, Binjiang District, Hangzhou 310052, China
Hangzhou Hikvision Digital Technology Co.,Ltd.

COMPLIANCE NOTICE: The thermal series products might be subject to export controls in various countries or regions, including without limitation, the United States, European Union, United Kingdom and/or other member countries of the Wassenaar Arrangement. Please consult your professional legal or compliance expert or local government authorities for any necessary export license requirements if you intend to transfer, export, re-export the thermal series products between different countries.

Français



L'image du produit est donnée uniquement à titre de référence et le produit réel peut présenter un aspect différent.

Apparence (Page 1 – A)

Composant et câble

N°	Composants et interface
1	Caméra
2	Panneau solaire photovoltaïque
3	Support de connexion
4	Entrées audio, sortie audio
5	2 entrées d'alarme, 2 sorties d'alarme
6	Câble réseau
7	Câbles RS-485, d'alimentation

Installation du kit de caméra (Page 1 – B)

Procédure :

1. Installez la caméra sur le support de connexion.
 - 1) Desserrez et retirez les vis situées sur le côté du support pour démonter la base.
 - 2) Fixez la base à la partie inférieure de la caméra à l'aide de deux vis HSF UNC1-4-20X12.
 - 3) Alignez les trous de la base sur les trous du support, puis fixez la base au support à l'aide des vis retirées précédemment.
2. Faites passer les câbles les plus longs, tels que le câble d'alimentation et le câble RS-485, à travers le support de connexion. Enveloppez les autres câbles avec du ruban adhésif imperméable pour les rendre imperméables.

3. Installez la batterie dans le panneau solaire photovoltaïque.

Remarque : la batterie solaire n'est pas incluse dans l'emballage. Il doit être acheté séparément.

4. Installez le support de connexion sur le panneau solaire. Faites passer le câble RS-485 et le câble d'alimentation par les trous du panneau de décalage, alignez le trou du support de connexion sur le trou du panneau de décalage puis serrez les vis pour les fixer.
5. Desserrez et retirez les vis pour démonter le couvercle de la boîte de raccordement.
6. Faites passer le câble de sortie du panneau solaire et le câble de sortie de la batterie à travers les trous de la boîte de raccordement. Faites passer les câbles d'alimentation et RS-485 de la caméra à travers les trous du panneau de décalage et de la boîte de raccordement. Connectez les câbles et serrez les vis pour installer le couvercle de la boîte de raccordement.

Remarque : enveloppez la section du joint avec du ruban adhésif imperméable pour assurer l'étanchéité.

7. Choisissez une hauteur appropriée pour installer le kit. Retirez le support de mât vertical, le paquet de vis pour le support et la barre de fixation, insérez quatre boulons M12 dans les trous d'installation du support de mât vertical et de la barre de fixation, puis serrez chaque boulon en insérant un joint d'étanchéité plat et deux écrous.

- Accrochez le kit au support de mât vertical, puis fixez-le en insérant les joints plats, les rondelles élastiques et les écrous.
- Enroulez le filin de sécurité autour du mât vertical et fixez le verrou sur le filin de sécurité.
- Ajustez les angles du panneau solaire photovoltaïque et de la caméra.

Installation à une seule caméra (Page 6 – C)

Support mural (Page 6 – C.1)

Procédure :

- Desserrez et retirez les vis sur le côté du support pour démonter la base, puis fixez la base au bas de la caméra par deux vis UNC1-4.
- Alignez les trous de la base sur les trous du support, puis fixez la base au support à l'aide des vis retirées précédemment.
- Percez quatre trous dans le mur selon le gabarit de perçage.
- Fixez la caméra au mur à l'aide de boulons d'expansion, de joints et d'écrous.
- Desserrez les vis au niveau de l'articulation pour régler l'angle d'inclinaison de la caméra. Desserrez les vis au bas de la base pour régler l'angle panoramique de la caméra. Serrez les vis après le réglage.

Montage sur mât (Page 7 – C.2)

- Desserrez et retirez les vis sur le côté du support pour démonter la base, puis fixez la base au bas de la caméra par deux vis UNC1-4.
- Alignez les trous de la base sur les trous du support, puis fixez la base au support à l'aide des vis retirées précédemment.
- Fixez le support de montage sur le mât au moyen de trois arceaux à verrouillage rapide, puis fixez le support sur le mât.
- Fixez la caméra au support de montage sur mât au moyen de quatre vis M4.
- Desserrez les vis au niveau de l'articulation pour régler l'angle d'inclinaison de la caméra. Desserrez les vis au bas de la base pour régler l'angle panoramique de la caméra. Serrez les vis après le réglage.

Méthode d'imperméabilisation (Page 8)

- Installez une gaine imperméable pour le câble réseau (Page 8 – D).
- À l'aide du ruban imperméable fourni, protégez les connecteurs de câble et les câbles inutilisés (Page 8 – E).

Mesures de protection (Page 9 – F – 1)

Activer et accéder à l'appareil (Page 9 – F – 2)

Manuel d'utilisation



Conformité à la réglementation et consignes de sécurité

Lisez soigneusement toutes les informations et instructions de ce document avant d'utiliser l'appareil et conservez-le pour toute référence ultérieure.

Pour plus d'informations et d'instructions sur l'appareil, veuillez consulter notre site Internet à l'adresse <https://www.hikvision.com>. Vous pouvez également consulter les autres documents (le cas échéant) accompagnant l'appareil ou scanner le code QR (le cas échéant) sur l'emballage pour obtenir plus d'informations.

Informations légales

CLAUSE D'EXCLUSION DE RESPONSABILITÉ

DANS LES LIMITES AUTORISÉES PAR LA LOI EN VIGUEUR, LE PRÉSENT MANUEL ET LE PRODUIT DÉCRIT, AINSI QUE SON MATÉRIEL, SES LOGICIELS ET SES MICROLOGICIELS, SONT FOURNIS « EN L'ÉTAT » ET « AVEC CES FAIBLESSES ET ERREURS ». HIKVISION NE FAIT AUCUNE GARANTIE, EXPLICITE OU IMPLICITE, Y COMPRIS, MAIS SANS S'Y LIMITER, DE QUALITÉ MARCHANDE, DE QUALITÉ SATISFAISANTE, OU D'ADÉQUATION À UN USAGE PARTICULIER. VOUS UTILISEZ LE PRODUIT À VOS PROPRES RISQUES. HIKVISION NE SERA EN AUCUN CAS TENU RESPONSABLE POUR TOUT DOMMAGE SPÉCIAL, CONSÉCUTIF, ACCESSOIRE OU INDIRECT, Y COMPRIS, ENTRE AUTRES, LES DOMMAGES RELATIFS À LA PERTE DE PROFITS D'ENTREPRISE, À L'INTERRUPTION D'ACTIVITÉS COMMERCIALES, OU LA PERTE DES DONNÉES, LA CORRUPTION DES SYSTÈMES, OU LA PERTE DES DOCUMENTS, S'ILS SONT BASÉS SUR UNE VIOLATION DE CONTRAT, UNE FAUTE (Y COMPRIS LA NÉGLIGENCE), LA RESPONSABILITÉ EN MATIÈRE DE PRODUITS, OU AUTRE, EN RAPPORT AVEC L'UTILISATION DU PRODUIT, MÊME SI HIKVISION A ÉTÉ INFORMÉ DE LA POSSIBILITÉ D'UN TEL DOMMAGE OU D'UNE

TELLE PERTE.

VOUS RECONNAISSEZ QUE LA NATURE D'INTERNET EST SOURCE DE RISQUES DE SÉCURITÉ INHÉRENTS, ET HIKVISION SE DÉGAGE DE TOUTE RESPONSABILITÉ EN CAS DE FONCTIONNEMENT ANORMAL, DIVULGATION D'INFORMATIONS CONFIDENTIELLES OU AUTRES DOMMAGES DÉCOULANT D'UNE CYBERATTAQUE, D'UN PIRATAGE INFORMATIQUE, D'UNE INFECTION PAR DES VIRUS, OU AUTRES RISQUES DE SÉCURITÉ LIÉS À INTERNET ; TOUTEFOIS, HIKVISION FOURNIRA UNE ASSISTANCE TECHNIQUE DANS LES DÉLAIS, LE CAS ÉCHÉANT.

VOUS ACCEPTEZ D'UTILISER CE PRODUIT CONFORMÉMENT À L'ENSEMBLE DES LOIS EN VIGUEUR. IL EST DE VOTRE RESPONSABILITÉ EXCLUSIVE DE VEILLER À CE QUE VOTRE UTILISATION SOIT CONFORME À LA LOI APPLICABLE. IL VOUS APPARTIENT SURTOUT D'UTILISER CE PRODUIT D'UNE MANIÈRE QUI NE PORTE PAS ATTEINTE AUX DROITS DE TIERS, Y COMPRIS, MAIS SANS S'Y LIMITER, LES DROITS DE PUBLICITÉ, LES DROITS DE PROPRIÉTÉ INTELLECTUELLE, OU LA PROTECTION DES DONNÉES ET D'AUTRES DROITS À LA VIE PRIVÉE. VOUS NE DEVEZ PAS UTILISER CE PRODUIT POUR TOUTE UTILISATION FINALE INTERDITE, NOTAMMENT LA MISE AU POINT OU LA PRODUCTION D'ARMES DE DESTRUCTION MASSIVE, LA MISE AU POINT OU LA FABRICATION D'ARMES CHIMIQUES OU BIOLOGIQUES, LES ACTIVITÉS DANS LE CONTEXTE LIÉ AUX EXPLOSIFS NUCLÉAIRES OU AU CYCLE DU COMBUSTIBLE NUCLÉAIRE DANGEREUX, OU SOUTENANT LES VIOLATIONS DES DROITS DE L'HOMME. EN CAS DE CONFLIT ENTRE CE MANUEL ET LES LOIS EN VIGUEUR, CES DERNIÈRES PRÉVALENT.

Réglementation

Ces clauses ne s'appliquent qu'aux produits portant la marque ou l'information correspondante.

Déclaration de conformité UE

CE Ce produit et, le cas échéant, les accessoires qui l'accompagnent, sont estampillés « CE » et sont donc conformes aux normes européennes harmonisées en vigueur répertoriées sous la directive 2014/30/UE (EMCD), la directive 2014/35/UE (LVD) et la directive 2011/65/UE (RoHS).

Par la présente, Hangzhou Hikvision Digital Technology Co., Ltd. déclare que cet appareil (se référer à l'étiquette) est conforme à la directive 2014/53/UE.

Le texte intégral de la Déclaration de conformité UE est disponible à l'adresse Internet suivante : <https://www.hikvision.com/en/support/compliance/declaration-of-conformity>.

Bandes de fréquence et puissance (pour la CE)

Les bandes de fréquences et les limites nominales de la puissance d'émission (rayonnée ou conduite) applicables aux équipements radio suivants sont les suivantes :

Wi-Fi 2,4 GHz (2,4 à 2,4835 GHz) : 20 dBm.

Pour le modèle d'équipement : DS-2TD*GLT, DS-2TXS*GLT*.

LTE FDD :

Bande 1 : 1 920 à 1 980 MHz, 23 dBm, classe 3.

Bande 3 : 1 710 à 1 785 MHz, 23 dBm, classe 3.

Bande 5 : 824 à 849 MHz, 23 dBm, classe 3.

Bande 7 : 2 500 à 2 570 MHz, 23 dBm, classe 3.

Bande 8 : 880 à 915 MHz, 23 dBm, classe 3.

Bande 20 : 832 à 862 MHz, 23 dBm, classe 3.

Bande 28 : 703 à 748 MHz, 23 dBm, classe 3.

LTE TDD :

Bande 38 : 2 570 à 2 620 MHz, 23 dBm, classe 3.

Bande 40 : 2 300 à 2 400 MHz, 23 dBm, classe 3.

Bande 41 : 2 555 à 2 655 MHz, 23 dBm, classe 3.

WCDMA :

Bande 1 : 1 920 à 1 980 MHz, 23,5 dBm, classe 3.

Bande 5 : 824 à 849 MHz, 23,5 dBm, classe 3.

Bande 8 : 880 à 915 MHz, 23,5 dBm, classe 3.

Pour le modèle d'équipement : DS-2TD*GLT(JP), DS-2TXS*GLT*(JP).

LTE FDD :

Bande 1 : 1 920 à 1 980 MHz, 23 dBm, classe 3.

Bande 3 : 1 710 à 1 785 MHz, 23 dBm, classe 3.

Bande 8 : 880 à 915 MHz, 23 dBm, classe 3.

Bande 11 : 1 427,9 à 1 452,9 MHz, 23 dBm, classe 3.

Bande 18 : 815 à 830 MHz, 23 dBm, classe 3.
 Bande 19 : 830 à 845 MHz, 23 dBm, classe 3.
 Bande 21 : 1 447,9 à 1 462,9 MHz, 23 dBm, classe 3.

Bande 26 : 814 à 849 MHz, 23 dBm, classe 3.
 Bande 28 : 703 à 748 MHz, 23 dBm, classe 3.
 LTE TDD :

Bande 41 : 2 535 à 2 655 MHz, 23 dBm, classe 3.

WCDMA :

Bande 1 : 1 920 à 1 980 MHz, 23,5 dBm, classe 3.

Bande 6 : 832,4 à 837,6 MHz, 23,5 dBm, classe 3.

Bande 8 : 880 à 915 MHz, 23,5 dBm, classe 3.

Bande 19 : 830 à 845 MHz, 23,5 dBm, classe 3.

Pour le modèle d'équipement :

**DS-2TD*GLT(LA), DS-2TXS*GLT*(LA),
 DS-2TD*GLT(BR), DS-2TXS*GLT*(BR).**

LTE FDD :

Bande 1 : 1 920 à 1 980 MHz, 23 dBm, classe 3.

Bande 2 : 1 850 à 1 910 MHz, 23 dBm, classe 3.

Bande 3 : 1 710 à 1 785 MHz, 23 dBm, classe 3.

Bande 4 : 1 710 à 1 755 MHz, 23 dBm, classe 3.

Bande 5 : 824 à 849 MHz, 23 dBm, classe 3.

Bande 7 : 2 500 à 2 570 MHz, 23 dBm, classe 3.

Bande 8 : 880 à 915 MHz, 23 dBm, classe 3.

Bande 12 : 699 à 716 MHz, 23 dBm, classe 3.

Bande 17 : 704 à 716 MHz, 23 dBm, classe 3.

Bande 28 : 703 à 748 MHz, 23 dBm, classe 3.

Bande 66 : 1 710 à 1 780 MHz, 23 dBm, classe 3.

LTE TDD :

Bande 38 : 2 570 à 2 620 MHz, 23 dBm, classe 3.

Bande 40 : 2 300 à 2 400 MHz, 23 dBm, classe 3.

WCDMA :

Bande 1 : 1 920 à 1 980 MHz, 23,5 dBm, classe 3.

Bande 2 : 1 850 à 1 910 MHz, 23,5 dBm, classe 3.

Bande 3 : 1 710 à 1 785 MHz, 23,5 dBm, classe 3.

Bande 5 : 824 à 849 MHz, 23,5 dBm, classe 3.

Bande 8 : 880 à 915 MHz, 23,5 dBm, classe 3.

GSM/GPRS/EDGE :

Bande GSM850 : 850 MHz, 32,5 dBm, classe 3.

Bande GSM900 : 900 MHz, 32,5 dBm, classe 3.

Bande DCS1800 : 1 800 MHz, 29,5 dBm, classe 3.

Pour les appareils sans adaptateur d'alimentation offert, utilisez l'adaptateur d'alimentation fourni par un fabricant qualifié. Reportez-vous aux spécifications du produit pour les dispositions nécessaires et détaillées en matière d'alimentation.

Pour les appareils sans batterie offerte, utilisez la batterie fournie par un fabricant qualifié. Reportez-vous aux spécifications du produit pour les détails concernant la pile.

Avertissement : Il s'agit d'un produit de classe A. Dans un environnement domestique, ce produit peut provoquer des interférences radio, auquel cas l'utilisateur peut être amené à prendre des mesures adéquates.



2012/19/UE (directive DEEE) : dans l'Union européenne, les produits portant ce pictogramme ne doivent pas être déposés dans une déchèterie municipale où le tri des déchets n'est pas pratiqué. Pour un recyclage adéquat, remettez ce produit à votre revendeur lors de l'achat d'un nouvel équipement équivalent, ou déposez-le dans un lieu de collecte prévu à cet effet. Pour de plus amples informations, visitez le site Web : www.recyclethis.info.



2006/66/CE et son amendement 2013/56/UE (directive sur les batteries) : ce produit renferme une pile qui ne doit pas être déposée dans une déchèterie municipale où le tri des déchets n'est pas pratiqué, dans l'Union européenne. Pour plus de précisions sur la pile, reportez-vous à sa documentation. La pile porte le pictogramme ci-contre, qui peut inclure la mention Cd (cadmium), Pb (plomb) ou Hg (mercure). Pour la recycler correctement, renvoyez-la à votre revendeur ou déposez-la dans un point de collecte prévu à cet effet. Pour de plus amples informations, visitez le site Web : www.recyclethis.info.

Précautions d'emploi

L'objectif de ces instructions est de garantir que l'utilisateur soit en mesure d'utiliser correctement le produit sans danger ou dommage aux biens. Veuillez lire soigneusement toutes les consignes de

sécurité avant d'utiliser l'appareil.

Lois et réglementations

L'appareil doit être utilisé conformément à la législation locale ainsi qu'aux réglementations en matière de sécurité électrique et de prévention des incendies.

Transport

- Gardez l'appareil dans son emballage d'origine ou dans un emballage similaire lors de son transport.
- Veuillez conserver l'emballage de l'appareil pour toute utilisation ultérieure. En cas de panne, vous devrez renvoyer l'appareil à l'usine dans son emballage d'origine.
- Le transport de l'appareil sans son emballage d'origine peut l'endommager, et l'entreprise se dégage de toute responsabilité dans ce cas.
- Ne pas faire tomber le produit ou le soumettre à un choc physique. Gardez l'appareil à l'écart des interférences magnétiques.

Alimentation électrique

- Veuillez acheter vous-même le chargeur. La tension d'entrée doit être conforme à celle d'une source d'alimentation limitée (12 V CC) selon la norme IEC62368. Veuillez vous référer aux caractéristiques techniques pour des informations détaillées.
- Vérifiez que la prise est correctement branchée à la prise électrique.
- La prise de courant doit être installée près de l'équipement et doit être facilement accessible.
- Pour éviter tout risque de surchauffe ou d'incendie dû à une surcharge, ne reliez PAS plusieurs appareils à un seul adaptateur d'alimentation.
- Ne touchez PAS les contacts métalliques nus des entrées après que le disjoncteur a été coupé. De l'électricité peut encore circuler.
- Le symbole « + » identifie la (les) borne(s) positive(s) de l'équipement qui est utilisé avec, ou qui génère du courant continu. Le symbole « - » identifie la (les) borne(s) négative(s) de l'équipement qui est utilisé avec, ou qui génère du courant continu.
- Assurez-vous d'effectuer un câblage approprié des bornes pour un branchement à une alimentation secteur.

Batterie

- Il y a un risque d'explosion lorsque la batterie est remplacée par une batterie de type incorrect. Éliminez les piles usées conformément aux instructions.

- La batterie intégrée ne peut pas être démontée. Veuillez contacter le fabricant pour réparation si nécessaire.
- En cas de stockage à long terme de la pile, assurez-vous qu'elle est complètement chargée tous les six mois afin d'en conserver la qualité. Dans le cas contraire, elle pourrait se détériorer.
- Cet équipement n'est pas adapté à un usage dans les endroits où des enfants sont susceptibles d'être présents.
- Le remplacement de la pile par une pile du mauvais type peut conduire à l'annulation d'une protection (par exemple, dans le cas de certains types de piles au lithium).
- Ne jetez pas une batterie au feu ou dans un four chaud, ni ne broyez mécaniquement ou découpez une batterie, car cela pourrait engendrer une explosion.
- Ne laissez pas une pile dans un environnement ambiant extrêmement chaud, car vous encourez un risque d'explosion ou une fuite de liquide ou de gaz inflammable.
- N'exposez pas une batterie à des pressions atmosphériques extrêmement basses, car vous encourez un risque d'explosion ou une fuite de liquide ou de gaz inflammable.

Éclairage (le cas échéant)



ATTENTION : Ce produit est susceptible d'émettre des rayonnements optiques dangereux. Ne fixez pas la lampe en fonctionnement. Elle peut être nocive pour les yeux. Portez une protection oculaire adaptée ou n'activez pas l'éclairage à lumière blanche lorsque vous procédez à l'assemblage, à l'installation ou à l'entretien de la caméra.

Installation

- N'installez jamais l'équipement sur un support instable. L'équipement pourrait tomber, entraînant des blessures graves, voire la mort.
- Cet équipement doit être utilisé uniquement avec les supports correspondants. Toute utilisation avec d'autres supports (chariots, stations ou transporteurs) peut entraîner une instabilité pouvant causer des blessures.

Sécurité du système

- Vous reconnaissez que la nature d'Internet est source de risques de sécurité inhérents, et notre société se dégage de toute responsabilité en cas de fonctionnement anormal, divulgation d'informations confidentielles ou autres dommages

découlant d'une cyberattaque ou d'un piratage informatique ; toutefois, notre société fournira une assistance technique dans les délais, le cas échéant.

- Veuillez renforcer la protection des informations personnelles et la sécurité des données, car l'appareil peut être exposé à des problèmes de sécurité réseau lorsqu'il est connecté à Internet. Veuillez nous contacter si l'appareil peut subir des risques en matière de sécurité réseau.

- Vous êtes responsable de la configuration de tous les mots de passe et d'autres paramètres de sécurité concernant l'appareil. Gardez votre nom d'utilisateur et votre mot de passe en sécurité.

Maintenance

- Si le produit ne fonctionne pas correctement, contactez votre revendeur ou le centre de service le plus proche. Nous n'assumerons aucune responsabilité concernant les problèmes causés par une réparation ou une opération de maintenance non autorisée.

- Certains composants de l'appareil (p. ex., condensateur électrolytique) doivent être remplacés régulièrement. Leur durée de vie moyenne est variable, c'est pourquoi des contrôles périodiques sont recommandés. Veuillez contacter votre distributeur pour plus d'informations.

- Essayez délicatement l'appareil à l'aide d'un chiffon propre imbibé d'une petite quantité d'éthanol, si nécessaire.

- Si l'appareil n'est pas utilisé conformément aux indications du fabricant, le dispositif de protection fourni par l'appareil peut être compromis.

- Pour réduire le risque d'incendie, remplacez-le uniquement par un fusible de même type et de même calibre.

- Le port série de l'équipement est utilisé uniquement à des fins de débogage.

- Débranchez la source d'alimentation pendant l'opération d'entretien.

Environnement d'exploitation

- Assurez-vous que l'environnement d'exploitation répond aux exigences de l'appareil. La température de fonctionnement doit être comprise entre -40 °C à 65 °C et l'humidité entre 5 % à 95 %, sans condensation.

- N'exposez PAS l'appareil à de puissants rayonnements électromagnétiques ou à des environnements poussiéreux.

- N'orientez PAS l'objectif vers le soleil ou toute autre source de lumière vive.

- L'équipement ne doit pas être exposé aux gouttes ou aux éclaboussures et aucun objet rempli de liquide, comme un vase, ne doit être placé sur l'équipement.

- Aucune source de flamme nue, telle que des bougies allumées, ne doit être placée sur l'équipement.

- Prévoyez un suppresseur de surtension à l'orifice d'entrée de l'équipement dans des conditions d'installation particulières p. ex. au sommet d'une montagne, d'une tour métallique et en forêt.



- Ce symbole indique un risque de brûlure des doigts en cas de manipulation des pièces où il figure. Attendez une demi-heure après l'arrêt de l'appareil avant de manipuler les pièces.

Urgence

- Si de la fumée, des odeurs ou du bruit s'échappent de l'appareil, mettez immédiatement l'appareil hors tension et débranchez le câble d'alimentation, puis contactez un centre de réparation.

Adresse de fabrication

N° 555 Qianmo Road, District de Binjiang, Hangzhou 310052, Chine
Hangzhou Hikvision Digital Technology Co., Ltd.

AVIS DE CONFORMITÉ : il est possible que les produits de la série thermique soient soumis à des contrôles d'exportation dans divers pays ou diverses régions, ce qui inclut, sans s'y limiter, les États-Unis, l'Union européenne, le Royaume-Uni ou d'autres pays membres de l'Arrangement de Wassenaar. Veuillez consulter votre expert professionnel en questions juridiques ou en conformité ou les autorités de votre gouvernement local pour toute exigence de permis d'exportation si vous prévoyez de transférer, d'exporter ou de réexporter des produits de la série thermique entre différents pays.



Erscheinungsbild (Seite 1 – A)

Komponente und Kabel

Nr.	Komponente und Schnittstelle
1	Kamera
2	Solarmodul
3	Montagehalterung
4	Audioeingang, Audioausgang
5	Alarm Eingang 2 x, Alarmausgang 2 x
6	Netzwerkkabel
7	RS-485-Kabel, Stromkabel

Das Kamerakit montieren (Seite 1 – B)

Schritte:

1. Montieren Sie die Kamera an die Montagehalterung.
 - 1) Lösen und entfernen Sie die Schrauben an der Seite der Halterung, um den Montagefuß zu demontieren.
 - 2) Befestigen Sie den Montagefuß mit zwei Schrauben HSF UNC1-4-20X12 an der Unterseite der Kamera.
 - 3) Richten Sie die Bohrungen am Montagefuß mit den Bohrungen an der Halterung aus und befestigen Sie den Montagefuß mit den zuvor entfernten Schrauben an der Halterung.
2. Führen Sie die längeren Kabel wie das Strom- und das RS-485-Kabel durch die Montagehalterung und umwickeln Sie andere Kabel zur Abdichtung mit wasserdichtem Klebeband.
3. Setzen Sie den Akku in das Solarmodul ein.

Hinweis: Der Solarakku ist nicht im Lieferumfang enthalten. Bitte erwerben Sie es separat.
4. Montieren Sie die Montagehalterung an das Solarmodul. Führen Sie das RS-485- und das Stromkabel durch die Bohrungen an der Gelenkplatte, richten Sie die Bohrung an der Montagehalterung mit der Bohrung an der Gelenkplatte aus und ziehen Sie die Schrauben fest.
5. Lösen und entfernen Sie die Schrauben, um den Deckel der Anschlussdose abzunehmen.
6. Führen Sie das Ausgangskabel des Solarmoduls und das Ausgangskabel des Akkus durch die Bohrungen der Anschlussdose. Führen Sie dann das Strom- und das RS-485-Kabel der Kamera durch die Bohrungen der Gelenkplatte und der Anschlussdose. Schließen Sie die Kabel an und ziehen Sie die Schrauben fest, um den

Deckel der Anschlussdose zu befestigen.

Hinweis: Umwickeln Sie die Verbindungsstelle zur Abdichtung mit wasserdichtem Klebeband.

7. Wählen Sie eine geeignete Höhe für die Montage des Kits aus. Nehmen Sie die vertikale Masthalterung, das Schraubenpaket für die Montage und die Montageschiene aus der Verpackung. Führen Sie vier M12-Schrauben durch die Montagebohrungen an der vertikalen Masthalterung und an der Montageschiene und ziehen Sie jede Schraube mit einer flachen Dichtung und zwei Muttern fest.
8. Hängen Sie das Kit an der vertikalen Masthalterung ein und fixieren Sie es mit den Flachdichtungen, den Federscheiben und den Muttern.
9. Legen Sie das Sicherheitsseil um den senkrechten Mast und haken Sie den Verschluss am Sicherheitsseil ein.
10. Stellen Sie die Winkel des Solarmoduls und der Kamera ein.

Die Kamera allein montieren (Seite 6 – C)

Wandmontage (Seite 6 – C.1)

Schritte:

1. Lösen und entfernen Sie die Schrauben an der Seite der Halterung, um den Montagefuß zu demontieren, und fixieren Sie den Montagefuß mit zwei UNC1-4-Schrauben an der Unterseite der Kamera.
2. Richten Sie die Bohrungen am Montagefuß mit den Bohrungen an der Halterung aus und befestigen Sie den Montagefuß mit den zuvor entfernten Schrauben an der Halterung.
3. Bohren Sie vier Löcher in die Wand, wie auf der Bohrschablone angegeben.
4. Befestigen Sie die Kamera mit Dübeln, Dichtungen und Muttern an der Wand.
5. Lösen Sie die Schrauben am Gelenk, um den Neigungswinkel der Kamera einzustellen, und lösen Sie die Schrauben an der Unterseite des Montagefußes, um den Schwenkwinkel der Kamera einzustellen. Ziehen Sie die Schrauben nach der Anpassung fest.

Mastmontage (Seite 7 – C.2)

1. Lösen und entfernen Sie die Schrauben an der Seite der Halterung, um den Montagefuß zu demontieren, und fixieren Sie den Montagefuß mit zwei UNC1-4-Schrauben an der Unterseite der Kamera.

2. Richten Sie die Bohrungen am Montagefuß mit den Bohrungen an der Halterung aus und befestigen Sie den Montagefuß mit den zuvor entfernten Schrauben an der Halterung.
3. Führen Sie drei Schellen durch die Masthalterung und befestigen Sie die Halterung am Mast.
4. Befestigen Sie die Kamera mit vier M4-Schrauben an der Masthalterung.
5. Lösen Sie die Schrauben am Gelenk, um den Neigungswinkel der Kamera einzustellen, und lösen Sie die Schrauben an der Unterseite des Montagefußes, um den Schwenkwinkel der Kamera einzustellen. Ziehen Sie die Schrauben nach der Anpassung fest.

Wasserdichte Installation (Seite 8)

1. Installieren Sie eine wasserdichte Manschette für das Netzkabel (Seite 8 – D).
2. Verwenden Sie das mitgelieferte wasserdichte Kleband, um Kabelverbinder und nicht verwendete Kabel zu schützen (Seite 8 – E).

Sicherheitsvorkehrungen (Seite 9 – F – 1)

Das Gerät aktivieren und darauf zugreifen (Seite 9 – F – 2)

Benutzerhandbuch



Informationen zur Einhaltung gesetzlicher Vorschriften und zur Sicherheit

Lesen Sie alle Informationen und Anweisungen in diesem Dokument sorgfältig, bevor Sie das Gerät in Betrieb nehmen und bewahren Sie sie zum Nachschlagen auf. Weitere Informationen und Anweisungen zum Gerät finden Sie auf unserer Website unter <https://www.hikvision.com>. Weitere Informationen finden Sie auch in anderen Dokumenten (falls vorhanden), die dem Gerät beiliegen oder Sie können den QR-Code (falls vorhanden) auf der Verpackung scannen.

Rechtliche Informationen

HAFTUNGSAUSSCHLUSS

DIESE BEDIENUNGSANLEITUNG UND DAS BESCHRIEBENE PRODUKT MIT SEINER

HARDWARE, SOFTWARE UND FIRMWARE WERDEN, SOWEIT GESETZLICH ZULÄSSIG, IN DER „VORLIEGENDEN FORM“ UND MIT „ALLEN FEHLERN UND IRRTÜMERN“ BEREITGESTELLT. HIKVISION ÜBERNIMMT KEINE AUSDRÜCKLICHEN ODER STILLSCHWEIGENDEN GARANTIE, EINSCHLIESSLICH, ABER NICHT BESCHRÄNKT AUF DIE MARKTGÄNGIGKEIT, ZUFRIEDENSTELLENDEN QUALITÄT ODER EIGNUNG FÜR EINEN BESTIMMTEN ZWECK. DIE NUTZUNG DES PRODUKTS DURCH SIE ERFOLGT AUF IHRE EIGENE GEFAHR. IN KEINEM FALL IST HIKVISION IHNEN GEGENÜBER HAFTBAR FÜR BESONDERE, ZUFÄLLIGE, DIREKTE ODER INDIREKTE SCHÄDEN, EINSCHLIESSLICH, JEDOCH NICHT DARAUF BESCHRÄNKT, VERLUST VON GESCHÄFTSGEWINNEN, GESCHÄFTSUNTERBRECHUNG, DATENVERLUST, SYSTEMBESCHÄDIGUNG, VERLUST VON DOKUMENTATIONEN, SEI ES AUFGRUND VON VERTRAGSBRUCH, UNERLAUBTER HANDLUNG (EINSCHLIESSLICH FAHRLÄSSIGKEIT), PRODUKTHAFTUNG ODER ANDERWEITIG, IN VERBINDUNG MIT DER VERWENDUNG DIESES PRODUKTS, SELBST WENN HIKVISION ÜBER DIE MÖGLICHKEIT DERARTIGER SCHÄDEN ODER VERLUSTE INFORMIERT WAR. SIE ERKENNEN AN, DASS DIE NATUR DES INTERNETS DAMIT VERBUNDENE SICHERHEITSRISIKEN BEINHÄLTET. HIKVISION ÜBERNIMMT KEINE VERANTWORTUNG FÜR ANORMALEN BETRIEB, DATENVERLUST ODER ANDERE SCHÄDEN, DIE SICH AUS CYBERANGRIFFEN, HACKERANGRIFFEN, VIRUSINFESTION ODER ANDEREN SICHERHEITSRISIKEN IM INTERNET ERGEBEN. HIKVISION LEISTET JEDOCH BEI BEDARF ZEITNAH TECHNISCHEM SUPPORT. SIE STIMMEN ZU, DIESES PRODUKT IN ÜBEREINSTIMMUNG MIT ALLEN GELTENDEN GESETZEN ZU VERWENDEN, UND SIE SIND ALLEIN DAFÜR VERANTWORTLICH, DASS IHRE VERWENDUNG GEGEN KEINE GELTENDEN GESETZE VERSTÖßT. INSBESONDERE SIND SIE DAFÜR VERANTWORTLICH, DIESES PRODUKT SO ZU VERWENDEN, DASS DIE RECHTE DRITTER NICHT VERLETZT WERDEN, EINSCHLIESSLICH, ABER NICHT BESCHRÄNKT AUF VERÖFFENTLICHUNGSRECHTE, DIE RECHTE AN GEISTIGEM EIGENTUM ODER DEN

DATENSCHUTZ UND ANDERE PERSÖNLICHKEITSRECHTE. SIE DÜRFEN DIESES PRODUKT NICHT FÜR VERBOTENE ENDANWENDUNGEN VERWENDEN, EINSCHLIESSLICH DER ENTWICKLUNG ODER HERSTELLUNG VON MASSENVERNICHTUNGSWAFFEN, DER ENTWICKLUNG ODER HERSTELLUNG CHEMISCHER ODER BIOLOGISCHER WAFFEN, JEDLICHER AKTIVITÄTEN IM ZUSAMMENHANG MIT EINEM NUKLEAREN SPRENGKÖRPER ODER UNSICHEREN NUKLEAREN BRENNSTOFFKREISLAUF BZW. ZUR UNTERSTÜTZUNG VON MENSCHENRECHTSVERLETZUNGEN. IM FALL VON WIDERSPRÜCHEN ZWISCHEN DIESER BEDIENUNGSANLEITUNG UND GELTENDEM RECHT IST LETZTERES MASSGEBLICH.

Behördliche Informationen

Diese Bestimmungen gelten nur für Produkte, die das entsprechende Zeichen oder die entsprechenden Informationen tragen.

Erklärung zur EU-Konformität

CE Dieses Produkt und – gegebenenfalls – das mitgelieferte Zubehör tragen das „CE“-Kennzeichen und entsprechen daher den geltenden harmonisierten europäischen Normen, die in der Richtlinie 2014/30/EU (EMV), der Richtlinie 2014/35/EU (NSR) und der Richtlinie 2011/65/EU (RoHS) aufgeführt sind.

Hiermit erklärt Hangzhou Hikvision Digital Technology Co., Ltd., dass dieses Gerät (siehe Etikett) mit der Richtlinie 2014/53/EU übereinstimmt.

Der vollständige Text der EU-Konformitätserklärung ist unter folgender Internetadresse abrufbar:

<https://www.hikvision.com/en/support/compliance/declaration-of-conformity>.

Frequenzbänder und Leistung (für CE)

Die für das folgende Funkgerät geltenden Frequenzbänder und die nominalen Grenzwerte für die Sendeleistung (gestrahlt und/oder leitungsgeführt) sind wie folgt: Wi-Fi 2,4 GHz (2,4 bis 2,4835 GHz): 20 dBm.

Für Gerätemodell: DS-2TD*GLT, DS-2TXS*GLT*.

LTE FDD:

Band 1: 1920 bis 1980 MHz, 23 dBm, Klasse 3;
Band 3: 1710 bis 1785 MHz, 25 dBm, Klasse 3;

Band 5: 824 bis 849 MHz, 23 dBm, Klasse 3;
Band 7: 2500 bis 2570 MHz, 23 dBm, Klasse 3;
Band 8: 880 bis 915 MHz, 23 dBm, Klasse 3;
Band 20: 832 bis 862 MHz, 23 dBm, Klasse 3;
Band 28: 703 bis 748 MHz, 23 dBm, Klasse 3.

LTE TDD:

Band 38: 2570 bis 2620 MHz, 23 dBm, Klasse 3;
Band 40: 2300 bis 2400 MHz, 23 dBm, Klasse 3;
Band 41: 2555 bis 2655 MHz, 23 dBm, Klasse 3.

WCDMA:

Band 1: 1920 bis 1980 MHz, 23,5 dBm, Klasse 3;

Band 5: 824 bis 849 MHz, 23,5 dBm, Klasse 3;
Band 8: 880 bis 915 MHz, 23,5 dBm, Klasse 3.

Für Gerätemodell: DS-2TD*GLT(JP), DS-2TXS*GLT*(JP).

LTE FDD:

Band 1: 1920 bis 1980 MHz, 23 dBm, Klasse 3;
Band 3: 1710 bis 1785 MHz, 25 dBm, Klasse 3;
Band 8: 880 bis 915 MHz, 23 dBm, Klasse 3;
Band 11: 1427,9 bis 1452,9 MHz, 23 dBm, Klasse 3;

Band 18: 815 bis 830 MHz, 23 dBm, Klasse 3;
Band 19: 830 bis 845 MHz, 23 dBm, Klasse 3;
Band 21: 1447,9 bis 1462,9 MHz, 23 dBm, Klasse 3;

Band 26: 814 bis 849 MHz, 23 dBm, Klasse 3;
Band 28: 703 bis 748 MHz, 23 dBm, Klasse 3.

LTE TDD:

Band 41: 2535 bis 2655 MHz, 23 dBm, Klasse 3.

WCDMA:

Band 1: 1920 bis 1980 MHz, 23,5 dBm, Klasse 3;

Band 6: 832,4 bis 837,6 MHz, 23,5 dBm, Klasse 3;

Band 8: 880 bis 915 MHz, 23,5 dBm, Klasse 3;
Band 19: 830 bis 845 MHz, 23,5 dBm, Klasse 3.

Für Gerätemodell: DS-2TD*GLT(LA), DS-2TXS*GLT*(LA), DS-2TD*GLT(BR), DS-2TXS*GLT*(BR).

LTE FDD:

Band 1: 1920 bis 1980 MHz, 23 dBm, Klasse 3;
Band 2: 1850 bis 1910 MHz, 23 dBm, Klasse 3;
Band 3: 1710 bis 1785 MHz, 25 dBm, Klasse 3;
Band 4: 1710 bis 1755 MHz, 23 dBm, Klasse 3;
Band 5: 824 bis 849 MHz, 23 dBm, Klasse 3;

Band 7: 2500 bis 2570 MHz, 23 dBm, Klasse 3;
Band 8: 880 bis 915 MHz, 23 dBm, Klasse 3;
Band 12: 699 bis 716 MHz, 23 dBm, Klasse 3;
Band 17: 704 bis 716 MHz, 23 dBm, Klasse 3;
Band 28: 703 bis 748 MHz, 23 dBm, Klasse 3;

Band 66: 1710 bis 1780 MHz, 23 dBm, Klasse 3.

LTE TDD:

Band 38: 2570 bis 2620 MHz, 23 dBm, Klasse 3;

Band 40: 2300 bis 2400 MHz, 23 dBm, Klasse 3.

WCDMA:

Band1: 1920 bis 1980 MHz, 23,5 dBm, Klasse 3;

Band 2: 1850 bis 1910 MHz, 23,5 dBm, Klasse 3;

Band 3: 1710 bis 1785 MHz, 23,5 dBm, Klasse 3;

Band 5: 824 bis 849 MHz, 23,5 dBm, Klasse 3;

Band 8: 880 bis 915 MHz, 23,5 dBm, Klasse 3.

GSM/GPRS/EDGE:

GSM850-Band: 850 MHz, 32,5 dBm, Klasse 3;

GSM900-Band: 900 MHz, 32,5 dBm, Klasse 3;

DCS1800-Band: 1800 MHz, 29,5 dBm, Klasse 3.

Verwenden Sie bei einem Gerät ohne mitgeliefertes Netzteil nur ein Netzteil von einem zugelassenen Hersteller. Detaillierte Angaben zum Strombedarf finden Sie in der Produktspezifikation.

Verwenden Sie bei einem Gerät ohne mitgelieferte Batterien nur Batterien/Akkus von einem zugelassenen Hersteller. Detaillierte Angaben zu den Batterie-/Akku-Anforderungen finden Sie in der Produktspezifikation.

Warnung: Dies ist ein Produkt der Klasse A. In einer Wohnumgebung kann dieses Produkt Funkstörungen verursachen, die möglicherweise vom Benutzer durch geeignete Maßnahmen zu beseitigen sind.



2012/19/EU

(Elektroaltgeräte-Richtlinie):

Produkte, die mit diesem Symbol gekennzeichnet sind, dürfen

innerhalb der Europäischen Union nicht mit dem Hausmüll entsorgt werden. Für korrektes Recycling geben Sie dieses Produkt an Ihren örtlichen Fachhändler zurück oder entsorgen Sie es an einer der Sammelstellen. Weitere Informationen finden Sie unter: www.recyclethis.info.



2006/66/EG und deren Änderung

2013/56/EU (Batterie-Richtlinie):

Dieses Produkt enthält einen Akku, der innerhalb der Europäischen Union nicht mit dem Hausmüll entsorgt werden darf.

Siehe Produktdokumentation für spezifische Hinweise zu Akkus oder Batterien. Der Akku ist mit diesem Symbol gekennzeichnet, das zusätzlich die Buchstaben Cd für Cadmium, Pb für Blei oder Hg für Quecksilber enthalten kann. Für korrektes Recycling geben Sie die

Akkus/Batterien an Ihren örtlichen Fachhändler zurück oder entsorgen Sie sie an einer der Sammelstellen. Weitere Informationen finden Sie unter: www.recyclethis.info.

INFORMATIONEN FÜR PRIVATE HAUSHALTE

1. Getrennte Erfassung von Altgeräten:

Elektro- und Elektronikgeräte, die zu Abfall geworden sind, werden als Altgeräte bezeichnet. Besitzer von Altgeräten haben diese einer vom unsortierten Siedlungsabfall getrennten Erfassung zuzuführen. Altgeräte gehören insbesondere nicht in den Hausmüll, sondern in spezielle Sammel- und Rückgabesysteme.

2. Batterien und Akkus sowie Lampen:

Besitzer von Altgeräten haben Altbatterien und Altakkumulatoren, die nicht vom Altgerät umschlossen sind, die zerstörungsfrei aus dem Altgerät entnommen werden können, im Regelfall vor der Abgabe an einer Erfassungsstelle vom Altgerät zu trennen. Dies gilt nicht, soweit Altgeräte einer Vorbereitung zur Wiederverwendung unter Beteiligung eines öffentlich-rechtlichen Entsorgungsträgers zugeführt werden.

3. Möglichkeiten der Rückgabe von Altgeräten:

Besitzer von Altgeräten aus privaten Haushalten können diese bei den Sammelstellen der öffentlich-rechtlichen Entsorgungsträger oder bei den von Herstellern oder Vertreibern im Sinne des ElektroG eingerichteten Rücknahmestellen unentgeltlich abgeben. Rücknahmepflichtig sind Geschäfte mit einer Verkaufsfäche von mindestens 400 m² für Elektro- und Elektronikgeräte sowie diejenigen Lebensmittelgeschäfte mit einer Gesamtverkaufsfäche von mindestens 800 m², die mehrmals pro Jahr oder dauerhaft Elektro- und Elektronikgeräte anbieten und auf dem Markt bereitstellen. Dies gilt auch bei Vertrieb unter Verwendung von Fernkommunikationsmitteln, wenn die Lager- und Versandflächen für Elektro- und Elektronikgeräte mindestens 400 m² betragen oder die gesamten Lager- und Versandflächen mindestens 800 m² betragen. Vertreter haben die Rücknahme grundsätzlich durch geeignete Rückgabemöglichkeiten in zumutbarer Entfernung zum jeweiligen Endnutzer zu gewährleisten. Die Möglichkeit der unentgeltlichen Rückgabe eines Altgerätes besteht bei rücknahmepflichtigen Vertreibern unter anderem dann, wenn ein neues

gleichartiges Gerät, das im Wesentlichen die gleichen Funktionen erfüllt, an einen Endnutzer abgegeben wird.

4. Datenschutz-Hinweis:

Altgeräte enthalten häufig sensible personenbezogene Daten. Dies gilt insbesondere für Geräte der Informations- und Telekommunikationstechnik wie Computer und Smartphones. Bitte beachten Sie in Ihrem eigenen Interesse, dass für die Löschung der Daten auf den zu entsorgenden Altgeräten jeder Endnutzer selbst verantwortlich ist.

5. Bedeutung des Symbols „durchgestrichene Mülltonne“:



Das auf Elektro- und Elektronikgeräten regelmäßig abgebildete Symbol einer durchgestrichenen Mülltonne weist darauf hin, dass das jeweilige Gerät am Ende seiner Lebensdauer getrennt vom unsortierten Siedlungsabfall zu erfassen ist.

Sicherheitshinweise

Diese Anleitungen sollen gewährleisten, dass Sie das Produkt korrekt verwenden, um Gefahren oder Sachschäden zu vermeiden. Bitte lesen Sie alle Sicherheitshinweise sorgfältig durch, bevor Sie das Gerät in Betrieb nehmen.

Gesetze und Vorschriften

Das Gerät muss in Übereinstimmung mit lokalen Gesetzen, Vorschriften zur elektrischen Sicherheit und Brandschutzvorschriften verwendet werden.

Transportwesen

- Bewahren Sie das Gerät beim Transport in der ursprünglichen oder einer vergleichbaren Verpackung auf.
- Bewahren Sie das gesamte Verpackungsmaterial nach dem Auspacken für zukünftigen Gebrauch auf. Im Falle eines Fehlers müssen Sie das Gerät in der Originalverpackung an das Werk zurücksenden.
- Beim Transport ohne Originalverpackung kann das Gerät beschädigt werden und wir übernehmen keine Verantwortung.
- Lassen Sie das Produkt nicht fallen und vermeiden Sie heftige Stöße. Halten Sie das Gerät von magnetischen Störungen fern.

Spannungsversorgung

- Erwerben Sie das Ladegerät selbst. Die Eingangsspannung muss einer Stromquelle mit begrenzter Leistung (12 V DC) gemäß der Norm IEC62368 entsprechen. Siehe

technische Daten für detaillierte Informationen.

- Stellen Sie sicher, dass der Stecker richtig in der Steckdose steckt.
- Die Steckdose sollte sich in der Nähe des Geräts befinden und muss einfach zugänglich sein.
- Verbinden Sie NICHT mehrere Geräte mit einem Netzteil, da es andernfalls durch Überlastung zu einer Überhitzung oder einem Brand kommen kann.
- Berühren Sie NICHT die blanken Metallkontakte der Eingänge, nachdem der Schutzschalter ausgeschaltet wurde. Sie stehen noch unter Strom.
- + kennzeichnet den/die Pluspol(e) von Geräten, die mit Gleichstrom betrieben werden oder Gleichstrom erzeugen. – kennzeichnet den/die Minuspol(e) von Geräten, die mit Gleichstrom betrieben werden oder Gleichstrom erzeugen.
- Achten Sie auf die korrekte Verkabelung der Klemmen für den Anschluss an ein Wechselstromnetz.

Akku

- Bei Austausch der Batterie durch einen falschen Typ besteht Explosionsgefahr. Entsorgen Sie die verbrauchten Batterien gemäß den Anweisungen.
- Der integrierte Akku darf nicht demontiert werden. Wenden Sie sich gegebenenfalls zur Reparatur an den Hersteller.
- Achten Sie bei langfristiger Lagerung des Akkus darauf, dass er alle sechs Monate vollständig geladen wird, um seine Lebensdauer zu gewährleisten. Anderenfalls kann es zu Schäden kommen.
- Das Gerät ist nicht für den Einsatz an Orten geeignet, an denen sich wahrscheinlich Kinder aufhalten.
- Unsachgemäßer Austausch des Akkus durch einen falschen Typ kann eine Schutzvorrichtung umgehen (z. B. bei einigen Lithium-Batterietypen).
- Batterien nicht durch Verbrennen, in einem heißen Ofen oder Zerkleinern oder Zerschneiden entsorgen. Das kann zu einer Explosion führen.
- Bewahren Sie Batterien nicht in einer Umgebung mit extrem hoher Temperatur auf. Das kann zu einer Explosion oder zum Auslaufen von entflammbarer Flüssigkeit oder Gas führen.
- Setzen Sie Batterien keinem extrem niedrigen Luftdruck aus. Das kann zu einer Explosion oder zum Auslaufen von

entflammbarer Flüssigkeit oder Gas flühen.

Scheinwerfer (falls unterstützt)



ACHTUNG: Es wird möglicherweise gefährliche optische Strahlung von diesem Produkt emittiert. Blicken Sie NICHT in den Scheinwerfer, wenn er in Betrieb ist. Das kann schädlich für die Augen sein. Tragen Sie einen geeigneten Augenschutz oder schalten Sie das weiße Licht NICHT ein, wenn Sie die Kamera montieren, installieren oder warten.

Installation

- Stellen Sie das Gerät niemals an einem instabilen Ort auf. Es könnte umfallen und schwere oder sogar tödliche Verletzungen verursachen.
- Dieses Gerät darf nur mit den entsprechenden Halterungen verwendet werden. Die Verwendung anderer Halterungen (Wagen, Ständer oder Träger) kann zu Instabilität führen und Verletzungen verursachen.

Systemsicherheit


- Sie erkennen an, dass die Natur des Internets damit verbundene Sicherheitsrisiken mit sich bringt und dass unser Unternehmen keine Verantwortung für anormale Betriebsabläufe, Datenschutzverletzungen oder andere Schäden übernimmt, die sich durch Cyber- oder Hackerangriffe ergeben. Bei Bedarf wird unser Unternehmen jedoch zeitnahe technische Unterstützung leisten.
- Bitte sorgen Sie für den Schutz der personenbezogenen Daten und die Datensicherheit, da das Gerät Netzwerksicherheitsproblemen ausgesetzt werden kann, wenn es mit dem Internet verbunden ist. Bitte setzen Sie sich mit uns in Verbindung, wenn das Gerät Netzwerksicherheitsrisiken aufweist.
- Bitte nehmen Sie zur Kenntnis, dass Sie die Verantwortung dafür tragen, alle Passwörter und andere Sicherheitseinstellungen für das Gerät zu konfigurieren und Ihren Benutzernamen und Ihr Passwort aufzubewahren.

Wartung

- Falls das Produkt nicht einwandfrei funktionieren sollte, wenden Sie sich an Ihren Händler oder den nächstgelegenen Kundendienst. Wir übernehmen keine Haftung für Probleme, die durch nicht Reparatur- oder Instandhaltungsarbeiten von nicht autorisierten Dritten verursacht werden.

- Einige Gerätekomponenten (z. B. Elektrolytkondensator) müssen regelmäßig ausgetauscht werden. Die durchschnittliche Lebensdauer variiert, weshalb eine regelmäßige Prüfung empfohlen wird. Einzelheiten erfahren Sie von Ihrem Händler.
- Wischen Sie das Gerät bei Bedarf sanft mit einem sauberen Tuch und einer geringen Menge Ethanol ab.
- Wenn das Gerät nicht vom Hersteller vorgegebenem Sinne genutzt wird, kann der durch das Gerät bereitgestellte Schutz beeinträchtigt werden.
- Um die Feuergefahr zu verringern, ersetzen Sie Sicherungen nur durch Sicherungen des gleichen Typs und der gleichen Leistung.
- Die serielle Schnittstelle des Geräts wird nur zur Fehlersuche verwendet.
- Unterbrechen Sie die Stromversorgung während der Wartung.

Einsatzumgebung

- Achten Sie darauf, dass die Betriebsumgebung den Anforderungen des Geräts entspricht. Die Betriebstemperatur muss zwischen -40 °C bis 65 °C und die Luftfeuchtigkeit zwischen 5 % bis 95 % (keine Kondensation) liegen.
- Setzen Sie das Gerät KEINER hohen elektromagnetischen Strahlung oder staubigen Umgebungen aus.
- Richten Sie das Objektiv NICHT auf die Sonne oder eine andere helle Lichtquelle.
- Schützen Sie das Gerät vor tropfenden oder spritzenden Flüssigkeiten. Auf dem Gerät dürfen keine mit Flüssigkeit gefüllten Objekte, wie z. B. Vasen, abgestellt werden.
- Stellen Sie keine offenen Flammen (wie brennende Kerzen) auf dem Gerät ab.
- Sorgen Sie für einen Überspannungsschutz an den Eingängen der Anlage bei besonderen Umgebungsbedingungen wie Berggipfel, Metallturm und Wald.
-  Dieses Symbol weist darauf hin, dass Sie sich beim Umgang mit den Teilen die Finger verbrennen können. Warten Sie nach dem Ausschalten eine halbe Stunde, bevor Sie die Teile anfassen.

Notruf

- Sollten sich Rauch, Gerüche oder Geräusche in dem Gerät entwickeln, so schalten Sie es unverzüglich aus und ziehen Sie den Netzstecker. Wenden Sie sich dann an den Kundendienst.

Anschrift des Herstellers

No. 555 Qianmo-Straße, Stadtbezirk Binjiang, Hangzhou 310052, China
Hangzhou Hikvision Digital Technology Co., Ltd.

RECHTLICHER HINWEIS: Die Produkte der Wärmebildkamera-Serie unterliegen unter Umständen in verschiedenen Ländern oder Regionen Exportkontrollen, wie zum Beispiel in

den Vereinigten Staaten, der Europäischen Union, dem Vereinigten Königreich und/oder anderen Mitgliedsländern des Wassenaar-Abkommens. Bitte informieren Sie sich bei Ihrem Rechtsexperten oder bei den örtlichen Behörden über die erforderlichen Exportlizenzen, wenn Sie beabsichtigen, die Produkte der Wärmebildkamera-Serie in verschiedene Länder zu transferieren, zu exportieren oder zu reexportieren.

Español



La apariencia del producto es solo una referencia y puede diferir de la apariencia real del producto.

Apariencia (página 1 – A)

Componente y cable

Núm.	Componente e interfaz
1	Cámara
2	Panel solar fotovoltaico
3	Soporte de conexión
4	Entrada de audio, salida de audio
5	Entrada de alarma × 2, salida de alarma × 2
6	Cable de red
7	RS-485, cable de alimentación

Instalación del conjunto de la cámara

(página 1 – B)

Pasos:

1. Instale la cámara en el soporte de conexión.
 - 1) Afloje y retire los tornillos del lateral del soporte para desmontar la base.
 - 2) Fije la base en la parte inferior de la cámara con dos tornillos HSF UNC1-4-20X12.
 - 3) Alinee los orificios de la base con los orificios del soporte y fije la base en el soporte con los tornillos antes extraídos.
2. Pase los cables más largos, como el cable de alimentación y el RS-485, a través del soporte de conexión y recubra los otros cables con cinta impermeable.
3. Instale la batería en el panel solar fotovoltaico.

Nota: La batería solar no se incluye en el paquete. Cómprela por separado.

4. Instale el soporte de conexión en el panel solar. Pase el cable de alimentación y el RS-485 a través de los orificios del panel de desplazamiento, alinee el orificio del soporte de conexión con el orificio del panel

de desplazamiento y apriete los tornillos.

5. Afloje y retire los tornillos para desmontar la tapa de la caja de conexiones.
6. Pase el cable de salida del panel solar y el cable de salida de la batería por los orificios de la caja de conexiones, y pase el cable de alimentación y el RS-485 a través de los orificios del panel de desplazamiento y la caja de conexiones. Conecte los cables y apriete los tornillos para instalar la tapa de la caja de conexiones.

Nota: Recubra la zona de unión con cinta impermeable.

7. Elija una altura adecuada para instalar el conjunto. Saque el montaje en poste, el paquete de tornillos para el montaje y la barra de montaje, pase cuatro pernos M12 por los orificios de instalación del montaje en poste y la barra de montaje y apriételes con una junta plana y dos tuercas.
8. Enganche el conjunto en el soporte del montaje en poste y fíjelo con las juntas planas, las arandelas elásticas y las tuercas.
9. Enrolle la cuerda de seguridad alrededor del montaje en poste y cierre el bloqueo de la hebilla en la cuerda de seguridad.
10. Ajuste el ángulo del panel solar FV y la cámara.

Instalación de la cámara individual

(página 6 – C)

Montaje en pared (página 6 – C.1)

Pasos:

1. Afloje y retire los tornillos del lateral del soporte para desmontar la base y fije la base en la parte inferior de la cámara con dos tornillos UNC1-4.
2. Alinee los orificios de la base con los orificios del soporte y fije la base en el soporte con los tornillos antes extraídos.
3. Taladre cuatro orificios en la pared según la plantilla de perforación.

4. Fije la cámara en la pared con pernos de expansión, juntas y tornillos.
5. Afloje los tornillos de la unión para ajustar el ángulo de inclinación de la cámara y afloje los tornillos en la parte inferior de la base para ajustar el ángulo panorámico de la cámara. Apriete los tornillos después de realizar el ajuste.

Montaje en poste (página 7 – C.2)

1. Afloje y retire los tornillos del lateral del soporte para desmontar la base y fije la base en la parte inferior de la cámara con dos tornillos UNC1-4.
2. Alinee los orificios de la base con los orificios del soporte y fije la base en el soporte con los tornillos antes extraídos.
3. Pase tres anillos de bloqueo rápido por el soporte del montaje en poste y fije el soporte en el poste.
4. Fije la cámara en el soporte del montaje en poste con cuatro tornillos M4.
5. Afloje los tornillos de la unión para ajustar el ángulo de inclinación de la cámara y afloje los tornillos en la parte inferior de la base para ajustar el ángulo panorámico de la cámara. Apriete los tornillos después de realizar el ajuste.

Método de impermeabilidad (página 8)

1. Instale la funda impermeable del cable de red (página 8 – D).
2. Utilice la cinta impermeable suministrada para proteger los conectores del cable y los cables no utilizados (página 8 – E).

Medidas de protección (página 9 – F – 1)

Activar y acceder al dispositivo

(página 9 – F – 2)

Manual de usuario



Cumplimiento normativo e información de seguridad

Lea detenidamente toda la información y las instrucciones de este documento antes de usar el dispositivo y consérvelo para futuras referencias.

Para obtener más información e instrucciones del dispositivo, visite nuestra página web <https://www.hikvision.com>. También puede

consultar el resto de documentos (si hay alguno) que acompañan al dispositivo o escanear el código QR (si hay alguno) del paquete para obtener más información.

Información legal

DESCARGO DE RESPONSABILIDAD

EN LA MEDIDA MÁXIMA PERMITIDA POR LAS LEYES APLICABLES, ESTE MANUAL Y EL PRODUCTO DESCRITO –INCLUIDOS SU HARDWARE, SOFTWARE Y FIRMWARE– SE SUMINISTRAN «TAL CUAL» Y «CON TODOS SU FALLOS Y ERRORES». HIKVISION NO OFRECE GARANTÍAS, EXPLÍCITAS O IMPLÍCITAS, INCLUIDAS, A MODO ENUNCIATIVO, COMERCIABILIDAD, CALIDAD SATISFACTORIA O IDONEIDAD PARA UN PROPÓSITO EN PARTICULAR. EL USO QUE HAGA DEL PRODUCTO CORRE BAJO SU ÚNICO RIESGO. EN NINGÚN CASO HIKVISION PODRÁ CONSIDERARSE RESPONSABLE ANTE USTED DE NINGÚN DAÑO ESPECIAL, CONSECUENTE, INCIDENTAL O INDIRECTO, INCLUYENDO, ENTRE OTROS, DAÑOS POR PÉRDIDAS DE BENEFICIOS COMERCIALES, INTERRUPCIÓN DE LA ACTIVIDAD COMERCIAL, PÉRDIDA DE DATOS, CORRUPCIÓN DE LOS SISTEMAS O PÉRDIDA DE DOCUMENTACIÓN, YA SEA POR INCUMPLIMIENTO DEL CONTRATO, AGRAVIO (INCLUYENDO NEGLIGENCIA), RESPONSABILIDAD DEL PRODUCTO O EN RELACIÓN CON EL USO DEL PRODUCTO, INCLUSO CUANDO HIKVISION HAYA RECIBIDO UNA NOTIFICACIÓN DE LA POSIBILIDAD DE DICHOS DAÑOS O PÉRDIDAS.

USTED RECONOCE QUE LA NATURALEZA DE INTERNET IMPLICA RIESGOS DE SEGURIDAD INHERENTES Y HIKVISION NO TENDRÁ NINGUNA RESPONSABILIDAD POR EL FUNCIONAMIENTO ANORMAL, FILTRACIONES DE PRIVACIDAD U OTROS DAÑOS RESULTANTES DE ATAQUES CIBERNÉTICOS, ATAQUES DE HACKERS, INFECCIONES DE VIRUS U OTROS RIESGOS DE SEGURIDAD DE INTERNET; SIN EMBARGO, HIKVISION PROPORCIONARÁ APOYO TÉCNICO OPORTUNO DE SER NECESARIO. USTED ACEPTA USAR ESTE PRODUCTO DE CONFORMIDAD CON TODAS LAS LEYES APLICABLES Y SOLO USTED ES EL ÚNICO RESPONSABLE DE ASEGURAR QUE EL USO CUMPLA CON DICHAS LEYES. EN ESPECIAL, USTED ES RESPONSABLE DE USAR ESTE PRODUCTO DE FORMA QUE NO INFRINJA

LOS DERECHOS DE TERCEROS, INCLUYENDO, A MODO ENUNCIATIVO, DERECHOS DE PUBLICIDAD, DERECHOS DE PROPIEDAD INTELECTUAL, DERECHOS RELATIVOS A LA PROTECCIÓN DE DATOS Y OTROS DERECHOS RELATIVOS A LA PRIVACIDAD. NO UTILIZARÁ ESTE PRODUCTO PARA NINGÚN USO FINAL PROHIBIDO, INCLUYENDO EL DESARROLLO O LA PRODUCCIÓN DE ARMAS DE DESTRUCCIÓN MASIVA, EL DESARROLLO O PRODUCCIÓN DE ARMAS QUÍMICAS O BIOLÓGICAS, NINGUNA ACTIVIDAD EN EL CONTEXTO RELACIONADO CON ALGÚN EXPLOSIVO NUCLEAR O EL CICLO DE COMBUSTIBLE NUCLEAR INSEGURO O EN APOYO DE ABUSOS DE LOS DERECHOS HUMANOS.

EN CASO DE HABER CONFLICTO ENTRE ESTE MANUAL Y LA LEGISLACIÓN VIGENTE, ESTA ÚLTIMA PREVALECE.

Información normativa

Estas cláusulas solo se aplican a los productos que lleven la marca o la información correspondiente.

Declaración de cumplimiento de la UE

CE Este producto, así como los accesorios suministrados (si procede), tienen el marcado «CE» y, por lo tanto, cumplen con las normativas europeas armonizadas aplicables que se enumeran en la Directiva 2014/30/UE (CEM), la Directiva 2014/35/UE (LVD) y la Directiva 2011/65/UE (RoHS).

Por la presente, Hangzhou Hikvision Digital Technology Co., Ltd. declara que este dispositivo (consulte la etiqueta) cumple con la Directiva 2014/53/UE.

El texto completo de la declaración de conformidad con la UE está disponible en la siguiente dirección de internet:

<https://www.hikvision.com/en/support/compliance/declaration-of-conformity>.

Bandas de frecuencia y potencia (para la CE)

Las bandas de frecuencia y los límites de potencia de transmisión (radiada y/o conducida) aplicables a los siguientes equipos de radio son:

Wi-Fi a 2,4 GHz (2,4 GHz a 2,4835 GHz): 20 dBm.

Para modelos de equipo: DS-2TD*GLT, DS-2TXS*GLT*.

LTE FDD:

Banda 1: 1920 a 1980 MHz, 23 dBm, clase 3;

Banda 3: 1710 a 1785 MHz, 23 dBm, clase 3;
Banda 5: 824 a 849 MHz, 23 dBm, clase 3;
Banda 7: 2500 a 2570 MHz, 23 dBm, clase 3;
Banda 8: 880 a 915 MHz, 23 dBm, clase 3;
Banda 20: 832 a 862 MHz, 23 dBm, clase 3;
Banda 28: 703 a 748 MHz, 23 dBm, clase 3.

LTE TDD:

Banda 38: 2570 a 2620 MHz, 23 dBm, clase 3;
Banda 40: 2300 a 2400 MHz, 23 dBm, clase 3;
Banda 41: 2555 a 2655 MHz, 23 dBm, clase 3.

WCDMA:

Banda 1: 1920 a 1980 MHz, 23,5 dBm, clase 3;
Banda 5: 824 a 849 MHz, 23,5 dBm, clase 3;
Banda 8: 880 a 915 MHz, 23,5 dBm, clase 3.

Para modelos de equipo: DS-2TD*GLT(JP), DS-2TXS*GLT*(JP).

LTE FDD:

Banda 1: 1920 a 1980 MHz, 23 dBm, clase 3;
Banda 3: 1710 a 1785 MHz, 23 dBm, clase 3;
Banda 8: 880 a 915 MHz, 23 dBm, clase 3;
Banda 11: 1427,9 a 1452,9 MHz, 23 dBm, clase 3;

Banda 18: 815 a 830 MHz, 23 dBm, clase 3;
Banda 19: 830 a 845 MHz, 23 dBm, clase 3;
Banda 21: 1447,9 a 1462,9 MHz, 23 dBm, clase 3;

Banda 26: 814 a 849 MHz, 23 dBm, clase 3;
Banda 28: 703 a 748 MHz, 23 dBm, clase 3.

LTE TDD:

Banda 41: 2535 a 2655 MHz, 23 dBm, clase 3.

WCDMA:

Banda 1: 1920 a 1980 MHz, 23,5 dBm, clase 3;
Banda 6: 832,4 a 837,6 MHz, 23,5 dBm, clase 3;
Banda 8: 880 a 915 MHz, 23,5 dBm, clase 3;
Banda 19: 830 a 845 MHz, 23,5 dBm, clase 3.

Para modelos de equipo: DS-2TD*GLT(LA), DS-2TXS*GLT*(LA), DS-2TD*GLT(BR), DS-2TXS*GLT*(BR).

LTE FDD:

Banda 1: 1920 a 1980 MHz, 23 dBm, clase 3;
Banda 2: 1850 a 1910 MHz, 23 dBm, clase 3;
Banda 3: 1710 a 1785 MHz, 23 dBm, clase 3;
Banda 4: 1710 a 1755 MHz, 23 dBm, clase 3;
Banda 5: 824 a 849 MHz, 23 dBm, clase 3;
Banda 7: 2500 a 2570 MHz, 23 dBm, clase 3;
Banda 8: 880 a 915 MHz, 23 dBm, clase 3;
Banda 12: 699 a 716 MHz, 23 dBm, clase 3;
Banda 17: 704 a 716 MHz, 23 dBm, clase 3;
Banda 28: 703 a 748 MHz, 23 dBm, clase 3;
Banda 66: 1710 a 1780 MHz, 23 dBm, clase 3.

LTE TDD:

Banda 38: 2570 a 2620 MHz, 23 dBm, clase 3;

Banda 40: 2300 a 2400 MHz, 23 dBm, clase 3.

WCDMA:

Banda 1: 1920 a 1980 MHz, 23,5 dBm, clase 3;

Banda 2: 1850 a 1910 MHz, 23,5 dBm, clase 3;

Banda 3: 1710 a 1785 MHz, 23,5 dBm, clase 3;

Banda 5: 824 a 849 MHz, 23,5 dBm, clase 3;

Banda 8: 880 a 915 MHz, 23,5 dBm, clase 3.

GSM/GPRS/EDGE:

Banda GSM850: 850 MHz, 32,5 dBm, clase 3;

Banda GSM900: 900 MHz, 32,5 dBm, clase 3;

Banda DCS1800: 1800 MHz, 29,5 dBm, clase 3.

En el caso de los dispositivos suministrados

sin adaptador de corriente, utilice un

adaptador de corriente de un fabricante

cualificado. Consulte las especificaciones

técnicas del producto para conocer los

requisitos eléctricos detallados.

En el caso de los dispositivos suministrados

sin batería, utilice una batería de un

fabricante cualificado. Consulte las

especificaciones técnicas del producto para

conocer los requisitos detallados de la

batería.

Advertencia: Este es un producto de clase A.

En un entorno doméstico este producto

puede ocasionar interferencias radio, en cuyo

caso es posible que sea el usuario el

responsable de adoptar las medidas

adecuadas.



2012/19/UE (directiva RAEE, residuos de aparatos eléctricos y electromagnéticos): En la Unión

Europea, los productos marcados

con este símbolo no pueden ser desechados

en el sistema de basura municipal sin

recogida selectiva. Para un reciclaje

adecuado, entregue este producto en el lugar

de compra del equipo nuevo equivalente o

deshágase de él en el punto de recogida

designado a tal efecto. Para más información

visite: www.recyclethis.info.



2006/66/CE y su enmienda

2013/56/UE (directiva sobre baterías):

Este producto lleva una batería que no

puede ser desechada en el sistema

municipal de basuras sin recogida selectiva

dentro de la Unión Europea. Consulte la

documentación del producto para ver la

información específica de la batería. La

batería lleva marcado este símbolo, que

incluye unas letras indicando si contiene

cadmio (Cd), plomo (Pb), o mercurio (Hg).

Para un reciclaje adecuado, entregue la

batería a su vendedor o llévela al punto de

recogida de basuras designado a tal efecto.

Para más información visite:

www.recyclethis.info.

Instrucciones de seguridad

Estas instrucciones están destinadas a

garantizar que el usuario pueda utilizar el

producto correctamente para evitar peligros o

pérdidas materiales. Lea detenidamente toda

la información de seguridad antes de usar el

dispositivo.

Leyes y normativas

El dispositivo debe ser utilizado cumpliendo

con la legislación local y las normativas de

Transporte

- Guarde el dispositivo en su paquete original o en uno similar cuando lo transporte.

- Guarde el embalaje para uso futuro. En el caso de que ocurra algún fallo, deberá devolver el dispositivo a la fábrica con el envoltorio original.

- En caso de transporte sin el envoltorio original podría resultar en daños en el dispositivo y la empresa no se hará responsable.

- No deje caer el producto ni lo someta a impactos físicos. Mantenga el dispositivo alejado de interferencias magnéticas.

Fuente de alimentación

- Debe adquirir el cargador por su cuenta. El voltaje de entrada debe cumplir con los requisitos de fuente de alimentación de potencia limitada (12 VCC) de conformidad con la norma IEC62368. Consulte las especificaciones técnicas para obtener información detallada.

- Asegúrese de que el enchufe esté correctamente conectado a la toma de corriente.

- La toma de corriente tiene que estar cerca del equipo y ser de fácil acceso.

- NO conecte múltiples dispositivos a un mismo adaptador de corriente, para evitar el sobrecalentamiento y los riesgos de incendio por sobrecarga.

- NO toque los contactos metálicos desnudos de las entradas después de que se apague el disyuntor. Todavía tienen electricidad.

- + identifica los terminales positivos de los equipos que se utilizan con corriente continua o que la generan. - identifica los terminales negativos de los equipos que se utilizan con corriente continua o que la generan.

- Asegúrese de que el cableado de los terminales para la conexión a una fuente de alimentación de CA sea correcto.

Batería

- Riesgo de explosión si se reemplaza la batería por otra de tipo incorrecto. Deshágase de las baterías usadas conforme a las instrucciones.

- La batería integrada no puede ser desmontada. Póngase en contacto con el fabricante para solicitar las reparaciones necesarias.

- Para almacenar la batería durante un periodo prolongado, compruebe que esté completamente cargada cada medio año para garantizar la calidad de la misma. De lo contrario, podrían ocurrir daños.

- Este equipo no es adecuado para utilizarlo en lugares donde pueda haber niños.

- Una sustitución inadecuada de la batería por otra de tipo incorrecto podría inhabilitar alguna medida de protección (por ejemplo, en el caso de algunas baterías de litio).

- No arroje la batería al fuego ni la meta en un horno caliente, ni intente aplastar o cortar mecánicamente la batería, ya que podría explotar.

- No deje la batería en lugares con temperaturas extremadamente altas, ya que podría explotar o tener fugas de líquido electrolítico o gas inflamable.

- No permita que la batería quede expuesta a una presión de aire extremadamente baja, ya que podría explotar o tener fugas de líquido electrolítico o gas inflamable.

Iluminador de luz (si es compatible)



PRECAUCIÓN: Este equipo podría emitir radiación óptica peligrosa. NO mire directamente a la lámpara en funcionamiento. Podría dañar sus ojos. Use la protección ocular adecuada o NO encienda la luz blanca cuando monte, instale o realice mantenimientos en la cámara.

Instalación

- No coloque nunca el equipo en una ubicación inestable. El equipo podría caer y provocar graves lesiones o la muerte.

- Este equipo está diseñado para usarse solo con los soportes correspondientes. Su uso con otro tipo de soporte (carros, estantes o transportadores) podría ser inestable y ocasionar lesiones.

Seguridad del sistema

- Usted reconoce que la naturaleza de internet entraña riesgos de seguridad y que nuestra empresa no está obligada a asumir ninguna responsabilidad debido a un funcionamiento anómalo, una vulneración de la privacidad o cualquier otro daño resultante de un ciberataque o un ataque por parte de piratas informáticos; no obstante, nuestra empresa proporcionará la asistencia técnica necesaria de forma oportuna si fuera necesario.

- Garantice la protección de la información personal y la seguridad de datos, ya que el dispositivo puede encontrar problemas de seguridad cuando esté conectado a internet. Póngase en contacto con nosotros si se compromete la seguridad en la red del dispositivo.

- Recuerde que es su responsabilidad instalar las contraseñas y las demás configuraciones de seguridad del dispositivo. Proteja su nombre de usuario y contraseña.

- Recuerde que es su responsabilidad instalar las contraseñas y las demás configuraciones de seguridad del dispositivo. Proteja su nombre de usuario y contraseña.

Mantenimiento

- Si el producto no funciona correctamente, por favor, póngase en contacto con su distribuidor o con el centro de servicio técnico más próximo. No nos haremos responsables de los problemas derivados de una reparación o mantenimiento no autorizados.

- Algunos componentes del dispositivo (p. ej.: el condensador electrolítico) necesita una sustitución periódica. La vida útil promedio puede variar, por lo que se recomienda una revisión periódica. Contacte con su vendedor para más detalles.

- Limpie suavemente el dispositivo con una gamuza limpia con una pequeña cantidad de etanol, si fuese necesario.

- Si se utiliza el equipo de una manera no especificada por el fabricante, la protección del dispositivo podría verse mermada.

- Para reducir el riesgo de incendio, reemplace el fusible por otro del mismo tipo y clasificación.

- El puerto serie del equipo se utiliza únicamente con fines de depuración.

- Desconecte la fuente de alimentación durante los mantenimientos y reparaciones.


Entorno de uso

- Compruebe que el entorno de uso se adapte a los requisitos del dispositivo. La temperatura de funcionamiento es de -40 °C a 65 °C y la humedad de funcionamiento del 5 % al 95 %.

- NO exponga el dispositivo a radiaciones

electromagnéticas o entornos polvorientos.

- NO oriente la lente hacia el sol ni a otras luces brillantes.
- No se expondrá el equipo a goteos ni salpicaduras y no se colocarán sobre él objetos llenos de líquidos, como jarrones.
- No coloque llamas abiertas, como velas encendidas, sobre el equipo.
- En ubicaciones especiales, como en la cima de una montaña, en una torre de hierro y en un bosque, instale un supresor de sobretensiones en la abertura de entrada del equipo.

 Se puede quemar los dedos al manipular las piezas con el símbolo. Espere media hora después de apagar el equipo para tocar las partes.

Emergencia

- Si hay presencia de humo, olores o ruidos procedentes del dispositivo, apague la alimentación inmediatamente, desenchufe el cable de alimentación y contacte con el


servicio técnico.

Dirección de fabricación

N.º 555, Qianmo Road, Binjiang District, Hangzhou 310052, China
Hangzhou Hikvision Digital Technology Co., Ltd.

AVISO DE CONFORMIDAD: Los productos de las series térmicas podrían estar sujetos a controles de exportación en algunos países o regiones; entre ellos, por ejemplo, los Estados Unidos, la Unión Europea, el Reino Unido y/o otros países miembros del Arreglo de Wassenaar. Consulte con algún experto en cumplimiento normativo y legal o con las autoridades gubernamentales locales para cumplir con los requisitos de licencia de exportación necesarios si desea transferir, exportar o reexportar los productos de las series térmicas entre distintos países.

Italiano

 L'immagine del prodotto serve solo come riferimento e potrebbe differire dal prodotto effettivo.

Descrizione (pagina 1 – A)

Componente e cavo

N.	Componenti e interfaccia
1	Telecamera
2	Pannello solare fotovoltaico
3	Staffa di collegamento
4	Ingresso audio, uscita audio
5	Ingresso allarme x 2 / Uscita allarme x 2
6	Cavo di rete
7	RS-485, cavo di alimentazione

Installazione del kit telecamera (pagina 1 – B)

Procedura:

1. Installare la telecamera sulla staffa di collegamento.
 - 1) Allentare e rimuovere le viti sul lato della staffa, per smontare la base.
 - 2) Fissare la base alla parte inferiore della telecamera usando due viti HSF UNC1-4-20X12.
 - 3) Allineare i fori sulla base con i fori sulla staffa, quindi fissare la base alla staffa con le viti rimosse in precedenza.
2. Far passare i cavi più lunghi, come il cavo di alimentazione e il cavo RS-485, attraverso la

staffa di collegamento e avvolgere gli altri cavi con nastro impermeabile per sigillare.

3. Installare la batteria nel pannello solare fotovoltaico.

Nota: la batteria solare non è in dotazione. È acquistabile separatamente.

4. Installare sul pannello solare la staffa di collegamento. Far passare il cavo RS-485 e il cavo di alimentazione attraverso i fori sul pannello di regolazione, allineare il foro sulla staffa di collegamento e il foro sul pannello di regolazione, quindi serrare le viti per fissare.
5. Allentare e rimuovere le viti per smontare il coperchio della cassetta di derivazione.
6. Far passare il cavo di uscita del pannello solare e il cavo di uscita della batteria attraverso i fori della cassetta di derivazione e introdurre il cavo di alimentazione e il cavo RS-485 della telecamera nei fori del pannello di regolazione e della cassetta di derivazione. Collegare i cavi e serrare le viti per installare il coperchio della cassetta di derivazione.

Nota: avvolgere il giunto con nastro impermeabile per sigillare.

7. Stabilire un'altezza adeguata per l'installazione del kit. Estrarre il supporto per montaggio verticale su palo, il pacchetto delle viti per il montaggio e la barra di montaggio, quindi introdurre quattro bulloni

M12 nei fori di installazione sul supporto per montaggio verticale su palo e barra di montaggio e serrare ciascun bullone con una guarnizione piana e due dadi.

8. Agganciare il kit alla staffa per montaggio verticale su palo e fissare il kit con le guarnizioni piane, le rondelle elastiche e i dadi.
9. Avvolgere la corda di sicurezza attorno al palo verticale e fissare il fermo di blocco sulla corda di sicurezza.
10. Regolare gli angoli del pannello solare fotovoltaico e della telecamera.

Installazione della telecamera singola (pagina 6 – C)

Montaggio a parete (pagina 6 – C.1)

Procedura:

1. Allentare e rimuovere le viti sul lato della staffa per smontare la base, quindi fissare la base alla parte inferiore della telecamera con due viti UNC1-4.
2. Allineare i fori sulla base con i fori sulla staffa, quindi fissare la base alla staffa con le viti rimosse in precedenza.
3. Praticare quattro fori sulla parete utilizzando la dima di foratura.
4. Fissare la telecamera alla parete con tasselli, guarnizioni e dadi.
5. Allentare le viti sul giunto per regolare l'angolo verticale della telecamera, e allentare le viti nella parte inferiore della base per regolare l'angolo della panoramica. Serrare le viti, dopo la regolazione.

Installazione su palo (pagina 7 – C.2)

1. Allentare e rimuovere le viti sul lato della staffa per smontare la base, quindi fissare la base alla parte inferiore della telecamera con due viti UNC1-4.
2. Allineare i fori sulla base con i fori sulla staffa, quindi fissare la base alla staffa con le viti rimosse in precedenza.
3. Infilare nella staffa per montaggio su palo tre fascette e fissare la staffa al palo.
4. Fissare la telecamera alla staffa per montaggio su palo con quattro viti M4.
5. Allentare le viti sul giunto per regolare l'angolo verticale della telecamera, e allentare le viti nella parte inferiore della base per regolare l'angolo della panoramica. Serrare le viti, dopo la regolazione.

Metodo di impermeabilizzazione (pagina 8)

1. Installare il rivestimento impermeabile del cavo di rete (pagina 8 – D).

2. Utilizzare il nastro impermeabile in dotazione per proteggere i connettori del cavo e i cavi non in uso (pagina 8 – E).

Misure di protezione (pagina 9 – F – 1)

Attivazione e accesso al dispositivo (pagina 9 – F – 2)

Manuale dell'utente



Conformità normativa e informazioni sulla sicurezza

Leggere accuratamente tutte le informazioni e le istruzioni riportate in questo documento prima di usare il dispositivo e conservarlo per consultazioni future.

Per altre informazioni e istruzioni sul dispositivo, consultare il nostro sito web <https://www.hikvision.com>. Per ulteriori informazioni, è possibile consultare altri documenti (se disponibili) in dotazione con il dispositivo o scansionare il codice QR sulla confezione (se presente).

Informazioni legali

ESCLUSIONE DI RESPONSABILITÀ

NELLA MISURA MASSIMA CONSENTITA DALLA LEGGE VIGENTE, QUESTO MANUALE E IL PRODOTTO DESCRITTO, CON IL SUO HARDWARE, SOFTWARE E FIRMWARE, SONO FORNITI "COSÌ COME SONO" E "CON TUTTI I DIFETTI E GLI ERRORI". HIKVISION NON RILASCI ALCUNA GARANZIA, NÉ ESPRESSA NÉ IMPLICITA COME, SOLO A TITOLO DI ESEMPIO, GARANZIE DI COMMERCIALIZZABILITÀ, QUALITÀ SODDISFACENTE O IDONEITÀ PER UN USO SPECIFICO. L'UTENTE UTILIZZA IL PRODOTTO A PROPRIO RISCHIO. HIKVISION DECLINA QUALSIASI RESPONSABILITÀ VERSO L'UTENTE IN RELAZIONE A DANNI SPECIALI, CONSEGUENTI E INCIDENTALI, COMPRESI, TRA GLI ALTRI, I DANNI DERIVANTI DA MANCATO PROFITTO, INTERRUZIONE DELL'ATTIVITÀ O PERDITA DI DATI, DANNEGGIAMENTO DI SISTEMI O PERDITA DI DOCUMENTAZIONE, DERIVANTI DA INADEMPIENZA CONTRATTUALE, ILLECITO (COMPRESA LA NEGLIGENZA), RESPONSABILITÀ PER DANNI AI PRODOTTI O ALTRIMENTI IN RELAZIONE ALL'USO DEL

PRODOTTO, ANCHE QUALORA HIKVISION SIA STATA INFORMATA DELLA POSSIBILITÀ DI TALI DANNI O PERDITE.


L'UTENTE RICONOSCE CHE LA NATURA DI INTERNET PREVEDE RISCHI DI SICUREZZA INTRINSECI E CHE HIKVISION DECLINA QUALSIASI RESPONSABILITÀ IN RELAZIONE A FUNZIONAMENTI ANOMALI, VIOLAZIONE DELLA RISERVATEZZA O ALTRI DANNI RISULTANTI DA ATTACCHI INFORMATICI, INFEZIONI DA VIRUS O ALTRI RISCHI LEGATI ALLA SICUREZZA SU INTERNET; TUTTAVIA, HIKVISION FORNIRÀ TEMPESTIVO SUPPORTO TECNICO, SE NECESSARIO.

L'UTENTE ACCETTA DI UTILIZZARE IL PRODOTTO IN CONFORMITÀ A TUTTE LE LEGGI VIGENTI E DI ESSERE IL SOLO RESPONSABILE DI TALE UTILIZZO CONFORME. IN PARTICOLARE, L'UTENTE È RESPONSABILE DEL FATTO CHE L'UTILIZZO DEL PRODOTTO NON VIOLI DIRITTI DI TERZI COME, SOLO A TITOLO DI ESEMPIO, DIRITTI DI PUBBLICITÀ, DIRITTI DI PROPRIETÀ INTELLETTUALE O DIRITTI RELATIVI ALLA PROTEZIONE DEI DATI E ALTRI DIRITTI RIGUARDANTI LA PRIVACY. NON È CONSENTITO UTILIZZARE QUESTO PRODOTTO PER SCOPI PROIBITI, COME, TRA GLI ALTRI, LA PRODUZIONE DI ARMI DI DISTRUZIONE DI MASSA, LO SVILUPPO O LA PRODUZIONE DI ARMI CHIMICHE O BIOLOGICHE, QUALSIASI ATTIVITÀ SVOLTA IN CONTESTI CORRELATI A ESPLOSIVI NUCLEARI O COMBUSTIBILI NUCLEARI NON SICURI O ATTIVITÀ CHE CAUSINO VIOLAZIONI DEI DIRITTI UMANI. IN CASO DI CONFLITTO TRA IL PRESENTE MANUALE E LA LEGGE VIGENTE, PREVARRÀ QUEST'ULTIMA.

Informazioni sulle norme

Queste clausole si applicano solo ai prodotti recanti il marchio o le informazioni corrispondenti.

Dichiarazione di conformità UE

 Questo prodotto e gli eventuali accessori in dotazione sono contrassegnati con il marchio "CE", quindi sono conformi alle norme europee armonizzate vigenti di cui alle direttive 2014/30/UE (EMC), 2014/35/UE (direttiva Bassa tensione) e 2011/65/UE (RoHS). Con la presente, Hangzhou Hikvision Digital Technology Co., Ltd. dichiara che il dispositivo (fare riferimento all'etichetta) è conforme alla direttiva 2014/53/UE.

Il testo completo della dichiarazione di conformità UE è disponibile al seguente indirizzo:

<https://www.hikvision.com/en/support/compliance/declaration-of-conformity>.

Bande di frequenza e potenza (per CE)

I limiti nominali delle bande di frequenza e della potenza di trasmissione (irradiata e/o condotta) applicabili alla seguente apparecchiatura radio sono:

Wi-Fi 2,4 GHz (da 2,4 a 2,4835 GHz): 20 dBm.

Per il modello dell'apparecchiatura:

DS-2TD*GLT, DS-2TXS*GLT*.

LTE FDD:

Banda 1: 1.920 a 1.980 MHz, 23 dBm, classe 3;
Banda 3: 1.710 a 1.785 MHz, 23 dBm, classe 3;
Banda 5: 824 a 849 MHz, 23 dBm, classe 3;
Banda 7: 2.500 a 2.570 MHz, 23 dBm, classe 3;
Banda 8: 880 a 915 MHz, 23 dBm, classe 3;
Banda 20: 832 a 862 MHz, 23 dBm, classe 3;
Banda 28: 703 a 748 MHz, 23 dBm, classe 3.

LTE TDD:

Banda 38: 2.570 a 2.620 MHz, 23 dBm, classe 3;
Banda 40: 2.300 a 2.400 MHz, 23 dBm, classe 3;
Banda 41: 2.555 a 2.655 MHz, 23 dBm, classe 3.

WCDMA:

Banda 1: 1.920 a 1.980 MHz, 23,5 dBm, classe 3;
Banda 5: 824 a 849 MHz, 23,5 dBm, classe 3;
Banda 8: 880 a 915 MHz, 23,5 dBm, classe 3.

Per il modello dell'apparecchiatura:

DS-2TD*GLT(JP), DS-2TXS*GLT*(JP).

LTE FDD:

Banda 1: 1.920 a 1.980 MHz, 23 dBm, classe 3;
Banda 3: 1.710 a 1.785 MHz, 23 dBm, classe 3;
Banda 8: 880 a 915 MHz, 23 dBm, classe 3;
Banda 11: 1.427,9 a 1.452,9 MHz, 23 dBm, classe 3;
Banda 18: 815 a 830 MHz, 23 dBm, classe 3;
Banda 19: 830 a 845 MHz, 23 dBm, classe 3;
Banda 21: 1.447,9 a 1.462,9 MHz, 23 dBm, classe 3;
Banda 26: 814 a 849 MHz, 23 dBm, classe 3;
Banda 28: 703 a 748 MHz, 23 dBm, classe 3.

LTE TDD:

Banda 41: 2.535 a 2.655 MHz, 23 dBm, classe 3.

WCDMA:

Banda 1: 1.920 a 1.980 MHz, 23,5 dBm, classe 3;
 Banda 6: 832,4 a 837,6 MHz, 23,5 dBm, classe 3;
 Banda 8: 880 a 915 MHz, 23,5 dBm, classe 3;
 Banda 19: 830 a 845 MHz, 23,5 dBm, classe 3.

**Per il modello dell'apparecchiatura:
 DS-2TD*GLT(LA), DS-2TXS*GLT*(LA),
 DS-2TD*GLT(BR), DS-2TXS*GLT*(BR).**

LTE FDD:

Banda 1: 1.920 a 1.980 MHz, 23 dBm, classe 3;
 Banda 2: 1.850 a 1.910 MHz, 23 dBm, classe 3;
 Banda 3: 1.710 a 1.785 MHz, 23 dBm, classe 3;
 Banda 4: 1.710 a 1.755 MHz, 23 dBm, classe 3;
 Banda 5: 824 a 849 MHz, 23 dBm, classe 3;
 Banda 7: 2.500 a 2.570 MHz, 23 dBm, classe 3;
 Banda 8: 880 a 915 MHz, 23 dBm, classe 3;
 Banda 12: 699 a 716 MHz, 23 dBm, classe 3;
 Banda 17: 704 a 716 MHz, 23 dBm, classe 3;
 Banda 28: 703 a 748 MHz, 23 dBm, classe 3;
 Banda 66: 1.710 a 1.780 MHz, 23 dBm, classe 3.

LTE TDD:

Banda 38: 2.570 a 2.620 MHz, 23 dBm, classe 3;
 Banda 40: 2.300 a 2.400 MHz, 23 dBm, classe 3.

WCDMA:

Banda 1: 1.920 a 1.980 MHz, 23,5 dBm, classe 3;
 Banda 2: 1.850 a 1.910 MHz, 23,5 dBm, classe 3;
 Banda 3: 1.710 a 1.785 MHz, 23,5 dBm, classe 3;
 Banda 5: 824 a 849 MHz, 23,5 dBm, classe 3;
 Banda 8: 880 a 915 MHz, 23,5 dBm, classe 3.

GSM/GPRS/EDGE:

Banda GSM850: 850 MHz, 32,5 dBm, classe 3;
 Banda GSM900: 900 MHz, 32,5 dBm, classe 3;
 Banda DCS1800: 1.800 MHz, 29,5 dBm, classe 3.

Per dispositivi senza alimentatore in dotazione, usare alimentatori forniti da un produttore qualificato. Fare riferimento alle specifiche del prodotto per i requisiti di alimentazione dettagliati.

Per i dispositivi senza batteria in dotazione, utilizzare una batteria fornita da un produttore qualificato. Fare riferimento alle specifiche del prodotto per i requisiti di batteria dettagliati.

Avvertenza: il presente prodotto è un

dispositivo di Classe A. Il prodotto può causare interferenze radio in ambienti residenziali; in tal caso l'utente dovrà adottare contromisure adeguate.



2012/19/UE (Direttiva RAEE): i prodotti contrassegnati con il presente simbolo non possono

essere smaltiti come rifiuti domestici

indifferenziati nell'Unione europea. Per lo smaltimento corretto, restituire il prodotto al rivenditore in occasione dell'acquisto di un nuovo dispositivo o smaltirlo nei punti di raccolta autorizzati. Ulteriori informazioni sono disponibili sul sito: www.recyclethis.info.



Direttiva 2006/66/CE, modificata dalla direttiva 2013/56/UE (direttiva sulle batterie): questo prodotto contiene una batteria e non è possibile smaltirlo

con i rifiuti domestici indifferenziati nell'Unione europea. Consultare la documentazione del prodotto per le informazioni specifiche sulla batteria. La batteria è contrassegnata con il presente simbolo, che potrebbe includere le sigle di cadmio (Cd), piombo (Pb) o mercurio (Hg). Per lo smaltimento corretto, restituire la batteria al rivenditore locale o smaltirla nei punti di raccolta autorizzati. Ulteriori informazioni sono disponibili sul sito: www.recyclethis.info.

Istruzioni per la sicurezza

Le presenti istruzioni hanno lo scopo di garantire che il prodotto venga utilizzato in modo corretto, evitando situazioni di pericolo o danni materiali. Leggere accuratamente le informazioni di sicurezza prima dell'uso.

Leggi e regolamenti

Il dispositivo deve essere utilizzato rispettando le leggi locali, le norme sulla sicurezza elettrica e le norme sulla prevenzione degli incendi.

Trasporto

- Per trasportare il dispositivo, riporlo nella confezione originale o in una analoga.
- Dopo aver disimballato il prodotto, conservare tutto il materiale di imballaggio per riutilizzarlo in futuro. In caso di guasti, sarà necessario inviare il dispositivo al produttore nell'imballaggio originale.
- Il trasporto senza l'imballaggio originale può causare danni al dispositivo; in tal caso il produttore declina ogni responsabilità.
- Non lasciar cadere il prodotto e non sottoporlo a impatti. Tenere il dispositivo lontano dai campi magnetici.

Alimentazione

- Acquistare l'alimentatore separatamente. La tensione in ingresso deve essere conforme alla norma IEC62368 sulle fonti di alimentazione limitate (12 VCC). Per informazioni dettagliate, consultare le specifiche tecniche.
- Verificare che la spina sia correttamente inserita nella presa di corrente.
- La presa deve essere nelle vicinanze del dispositivo ed essere facilmente accessibile.
- NON collegare più dispositivi allo stesso alimentatore per evitare rischi di sovriscaldamento o di incendio da sovraccarico.
- NON toccare i contatti metallici scoperti degli ingressi nemmeno dopo aver aperto l'interruttore automatico. L'elettricità residua è pericolosa.
- Il simbolo + indica il terminale positivo dell'apparecchiatura alimentata o che genera corrente continua. Il simbolo - indica il terminale negativo dell'apparecchiatura alimentata o che genera corrente continua.
- Verificare il corretto cablaggio dei terminali prima di collegare l'alimentazione CA.

Batteria

- Esiste il rischio di esplosione se la batteria viene sostituita con una di tipo non corretto. Smaltire le batterie usate seguendo le istruzioni.
- La batteria integrata non può essere smontata. Per eventuali riparazioni, rivolgersi al produttore.
- Se la batteria rimane inutilizzata per lunghi periodi, caricarla completamente ogni sei mesi per garantire una lunga durata. In caso contrario potrebbe subire danni.
- Non utilizzare il dispositivo in ambienti in cui possono essere presenti bambini.
- La sostituzione della batteria con una di tipo non idoneo può impedire il corretto funzionamento dei sistemi di sicurezza (ad esempio con alcuni tipi di batterie al litio).
- Non gettare le batterie nel fuoco o in un forno caldo ed evitare di schiacciarle o tagliarle, per prevenire il rischio di esplosioni.
- NON lasciare le batterie in ambienti con temperature estremamente alte, perché possono esplodere o perdere liquidi o gas infiammabili.
- NON sottoporre le batterie a una pressione atmosferica estremamente bassa, perché possono esplodere o perdere liquidi o gas infiammabili.

Illuminatore (se supportato)



ATTENZIONE: Questo prodotto emette radiazioni ottiche potenzialmente pericolose. NON guardare verso la lampada quando è in funzione. Può essere pericolosa per gli occhi. Indossare un'adeguata protezione degli occhi o NON accendere la luce bianca durante il montaggio, l'installazione o la manutenzione della telecamera.

Installazione

- Non posizionare mai l'apparecchio in una posizione instabile. L'apparecchio potrebbe cadere, causando lesioni personali gravi e anche mortali.
- La presente attrezzatura deve essere usata solo con le staffe adeguate. L'uso con altri componenti (carrelli, sostegni o contenitori) potrebbe causare l'instabilità dell'apparecchio e il rischio di lesioni personali.

Sicurezza del sistema

- L'utente riconosce che la natura di Internet comporta rischi intrinseci per la sicurezza e che la nostra azienda declina qualsiasi responsabilità in relazione a funzionamenti anomali, violazione della riservatezza o altri danni risultanti da attacchi informatici o attacchi di hacker; tuttavia, la nostra azienda fornirà tempestivo supporto tecnico, se necessario.
- Adottare le misure opportune per proteggere i dati personali e garantire la propria sicurezza poiché il dispositivo potrebbe essere esposto a rischi relativi alla sicurezza, quando è connesso a Internet. Vi invitiamo a contattarci qualora il dispositivo dovesse essere soggetto a rischi per la sicurezza della rete.
- L'utente ha la responsabilità di configurare tutte le password e le altre impostazioni di sicurezza relative al dispositivo e di conservare nome utente e password in modo sicuro.

Manutenzione

- Se il prodotto non funziona correttamente, rivolgersi al rivenditore o al centro di assistenza più vicino. Decliniamo qualsiasi responsabilità in relazione a problemi causati da interventi di riparazione o manutenzione non autorizzati.
- Alcuni componenti (ad esempio, il condensatore elettrolitico) devono essere sostituiti periodicamente. La durata media di questi elementi è variabile, quindi devono essere controllati regolarmente. Contattare il


rivenditore per i dettagli.

- Se necessario, pulire delicatamente il dispositivo con un panno pulito imbevuto di una piccola quantità di alcool etilico.
- Se il dispositivo viene utilizzato in un modo non approvato dal produttore la garanzia potrebbe essere annullata.
- Per ridurre il rischio di incendi, sostituire i fusibili solo con altri dello stesso tipo e dello stesso valore nominale.
- La porta seriale del dispositivo serve solo per attività di debugging.
- Scollegare l'alimentazione elettrica durante la manutenzione.

Ambiente di utilizzo

- Verificare che l'ambiente di utilizzo sia conforme ai requisiti del dispositivo. La temperatura operativa deve essere compresa tra -40 °C e 65 °C; l'umidità deve essere compresa tra il 5% e il 95%, senza condensa.
- NON esporre il dispositivo a radiazioni elettromagnetiche intense o ad ambienti polverosi.
- NON orientare l'obiettivo verso il sole o altre luci intense.
- L'attrezzatura non deve essere esposta a schizzi o gocciolamenti di liquidi; non poggiare sull'attrezzatura oggetti contenenti liquidi, ad esempio vasi.
- Non collocare sull'attrezzatura sorgenti di fiamme libere, come candele accese.
- Predisporre un soppressore di sovratensione

all'apertura di ingresso dell'attrezzatura in condizioni particolari come vette di montagne, tralicci metallici o foreste.

-  Rischio di ustioni alle dita quando si maneggiano componenti con questo simbolo. Attendere mezz'ora dallo spegnimento prima di toccare gli elementi del dispositivo.

Emergenza

- Se il dispositivo emette fumo, odori o rumori, spegnerlo immediatamente e scollegare il cavo di alimentazione, quindi rivolgersi a un centro di assistenza.

Indirizzo del produttore

N. 555 Qianmo Road, Binjiang District, Hangzhou 310052, Cina
Hangzhou Hikvision Digital Technology Co., Ltd.

AVVISO SULLA CONFORMITÀ: I prodotti termografici potrebbero essere soggetti a controlli sulle esportazioni in vari Paesi o regioni, tra cui Stati Uniti, Unione europea, Regno Unito e/o altri Paesi membri dell'accordo di Wassenaar. Consultare un legale o un esperto di conformità o le autorità governative locali per eventuali requisiti di licenza di esportazione necessari se si intende trasferire, esportare, riesportare i prodotti termografici tra diversi Paesi.

Português



A aparência do produto serve apenas de referência e pode ser diferente do produto real.

Aspetto (Página 1 – A)

Componentes & Cabos

N.º	Componentes & Interface
1	Câmara
2	Painel solar fotovoltaico
3	Suporte de ligação
4	Entrada de áudio, Saída de áudio
5	Entrada de alarme x 2, Saída de alarme x 2
6	Cabo de rede
7	Cabo RS-485 e de alimentação

Instalação do kit da câmara (Página 1 – B)

Passos:

1. Instale a câmara no suporte de ligação.
 - 1) Desaperte e retire os parafusos da secção lateral do suporte para desmontar a base.

- 2) Fixe a base na secção inferior da câmara com dois parafusos HSF UNC1-4-20X12.
- 3) Alinhe os orifícios da base com os orifícios do suporte e fixe a base no suporte com os parafusos anteriormente removidos.

2. Passe os cabos mais compridos, como o cabo de alimentação e o cabo RS-485, pelo suporte de ligação e revista os restantes cabos com fita impermeável para os selar.
3. Instale a bateria no painel solar fotovoltaico.

- Nota:** A bateria solar não está incluída na embalagem. Compre a lente separadamente.
4. Instale o suporte de ligação no painel solar. Passe o cabo RS-485 e o cabo de alimentação através dos orifícios do painel de controlo, alinhe o orifício do suporte de ligação com o orifício do painel de controlo e aperte os parafusos para os fixar.
 5. Desaperte e retire os parafusos para desmontar a tampa da caixa de fios.

6. Passe o cabo de saída do painel solar e o cabo de saída da bateria através dos orifícios da caixa de ligação e passe o cabo de alimentação e o cabo RS-485 da câmara através dos orifícios do painel de controlo e da caixa de ligação. Ligue os cabos e aperte os parafusos para instalar a tampa da caixa de ligação.

Nota: Revista a posição da junta com fita impermeável para efeitos de vedação.

7. Selecione uma altura adequada para instalar o kit. Retire o suporte da haste vertical, o conjunto de parafusos de instalação e a barra de instalação, insira os quatro parafusos M12 nos orifícios de instalação do suporte da haste vertical e da barra de instalação e aperte cada um dos parafusos com uma junta plana e duas porcas.
8. Prenda o kit no suporte de montagem da haste vertical e fixe-o com as juntas planas, as anilhas de pressão e as porcas.
9. Enrole a corda de segurança em redor da haste vertical e aperte o fecho de fixação da corda de segurança.
10. Ajuste os ângulos do painel solar fotovoltaico e da câmara.

Instalar a câmara simples (Página 6 – C)

Montagem na parede (Página 6 – C.1)

Passos:

1. Desaperte e retire os parafusos da secção lateral do suporte para desmontar a base e fixe a base na secção inferior da câmara com dois parafusos UNC1-4.
2. Alinhe os orifícios da base com os orifícios do suporte e fixe a base no suporte com os parafusos anteriormente removidos.
3. Perfure quatro orifícios na parede de acordo com o modelo de perfuração.
4. Fixe a câmara na parede com parafusos de expansão, juntas e porcas.
5. Desaperte os parafusos na junta para ajustar o ângulo de inclinação da câmara e desaperte os parafusos na secção inferior da base para ajustar o ângulo panorâmico da câmara. Aperte os parafusos após o ajuste.

Suporte da haste (Página 7 – C.2)

1. Desaperte e retire os parafusos da secção lateral do suporte para desmontar a base e fixe a base na secção inferior da câmara com dois parafusos UNC1-4.
2. Alinhe os orifícios da base com os orifícios do suporte e fixe a base no suporte com os

parafusos anteriormente removidos.

3. Fixe o suporte de montagem na haste com recurso a três braçadeiras de fecho rápido e fixe o suporte na haste.
4. Fixe a câmara no suporte da haste vertical com os quatro parafusos M4.
5. Desaperte os parafusos na junta para ajustar o ângulo de inclinação da câmara e desaperte os parafusos na secção inferior da base para ajustar o ângulo panorâmico da câmara. Aperte os parafusos após o ajuste.

Método impermeável (Página 8)

1. Instale a capa à prova de água do cabo de rede (Página 8 – D).
2. Utilize a fita impermeável fornecida para proteger os conectores dos cabos e os cabos não utilizados (Página 8 – E).

Medidas de proteção (Página 9 – F – 1)

Ativar e aceder ao dispositivo

(Página 9 – F – 2)

Manual do utilizador



Conformidade regulamentar e informações relacionadas com a segurança

Leia atentamente todas as informações e instruções presentes neste documento antes de utilizar o dispositivo e guarde-o para futura consulta.

Para mais informações e instruções relativas ao dispositivo, visite o nosso website em <https://www.hikvision.com>. Também pode consultar outros documentos (se existentes) que acompanhem o dispositivo, ou fazer a leitura do código QR (se existente) na embalagem para obter mais informações.

Informação legal

AVISO LEGAL

NA MEDIDA MÁXIMA PERMITIDA PELA LEI APLICÁVEL, ESTE MANUAL E O PRODUTO DESCRITO, COM O SEU HARDWARE, SOFTWARE E FIRMWARE, SÃO FORNECIDOS "TAL COMO ESTÃO" E "COM TODAS AS SUAS FALHAS E ERROS". A HIKVISION EXCLUI, DE FORMA EXPLÍCITA OU IMPLÍCITA, GARANTIAS DE, INCLUINDO E SEM LIMITAÇÃO, COMERCIALIZABILIDADE, QUALIDADE

DO SERVIÇO OU ADEQUAÇÃO A UMA FINALIDADE ESPECÍFICA. A SUA UTILIZAÇÃO DESTE PRODUTO É FEITA POR SUA CONTA E RISCO. EM CIRCUNSTÂNCIA ALGUMA A HIKVISION SERÁ RESPONSÁVEL PERANTE O UTILIZADOR EM RELAÇÃO A QUAISQUER DANOS ESPECIAIS, CONSEQUENCIAIS, INCIDENTAIS OU INDIRETOS, INCLUINDO, ENTRE OUTROS, DANOS PELA PERDA DE LUCROS COMERCIAIS, INTERRUPÇÃO DA ATIVIDADE, PERDA DE DADOS, CORRUPÇÃO DE SISTEMAS OU PERDA DE DOCUMENTAÇÃO SEJA COM BASE NUMA VIOLAÇÃO DO CONTRATO, ATOS ILÍCITOS (INCLUÍDO NEGLIGÊNCIA), RESPONSABILIDADE PELO PRODUTO OU, DE OUTRO MODO, RELACIONADA COM A UTILIZAÇÃO DO PRODUTO, AINDA QUE A HIKVISION TENHA SIDO ADVERTIDA QUANTO À POSSIBILIDADE DE TAIS DANOS OU PERDAS.

O UTILIZADOR RECONHECE QUE A NATUREZA DA INTERNET OFERECE RISCOS DE SEGURANÇA INERENTES E QUE A HIKVISION NÃO SERÁ RESPONSABILIZADA POR UM FUNCIONAMENTO ANORMAL, PERDA DE PRIVACIDADE OU OUTROS DANOS RESULTANTES DE ATAQUES INFORMÁTICOS, ATAQUES DE PIRATARIA, INFEÇÃO POR VÍRUS OU OUTROS RISCOS ASSOCIADOS À SEGURANÇA DA INTERNET. NO ENTANTO, A HIKVISION PRESTARÁ APOIO TÉCNICO ATEMPADO, SE SOLICITADO.

O UTILIZADOR ACEITA UTILIZAR ESTE PRODUTO EM CONFORMIDADE COM TODAS AS LEIS APLICÁVEIS E SER O ÚNICO RESPONSÁVEL POR GARANTIR QUE A SUA UTILIZAÇÃO É CONFORME À LEI APLICÁVEL. PARTICULARMENTE, O UTILIZADOR É O RESPONSÁVEL PELA UTILIZAÇÃO DESTE PRODUTO DE MODO QUE NÃO INFRINJA OS DIREITOS DE TERCEIROS, INCLUINDO, ENTRE OUTROS, OS DIREITOS DE PUBLICIDADE, DIREITOS DE PROPRIEDADE INTELECTUAL OU DE PROTEÇÃO DE DADOS, OU QUAISQUER OUTROS DIREITOS DE PRIVACIDADE. O UTILIZADOR NÃO PODERÁ UTILIZAR ESTE PRODUTO PARA QUAISQUER UTILIZAÇÕES FINAIS PROIBIDAS, INCLUINDO O DESENVOLVIMENTO OU PRODUÇÃO DE ARMAS DE DESTRUIÇÃO MACIÇA, DESENVOLVIMENTO OU PRODUÇÃO DE QUÍMICOS OU ARMAS BIOLÓGICAS, QUAISQUER ATIVIDADES DESENVOLVIDAS NO ÂMBITO DE EXPLOSIVOS NUCLEARES OU CICLOS DE COMBUSTÍVEL NUCLEAR

INSEGURO OU PARA APOIAR ABUSOS AOS DIREITOS HUMANOS.

NA EVENTUALIDADE DA OCORRÊNCIA DE ALGUM CONFLITO ENTRE ESTE MANUAL E A LEGISLAÇÃO APLICÁVEL, ESTA ÚLTIMA PREVALECE.

Informações sobre as normas reguladoras

As presentes cláusulas aplicam-se apenas aos produtos que apresentam a marcação ou informação correspondentes.

Declaração de conformidade da UE

CE Este produto e - se aplicável - os acessórios fornecidos também têm a marcação "CE" e estão em conformidade com as normas europeias harmonizadas aplicáveis enumeradas na diretiva 2014/30/UE (CEM), na diretiva 2014/35/UE (LVD) e na diretiva 2011/65/UE (RSP). Pelo presente documento, a Hangzhou Hikvision Digital Technology Co., Ltd. declara que este dispositivo (consultar rótulo) se encontra em conformidade com a Diretiva 2014/53/UE.

O texto integral da declaração de conformidade da UE está disponível no seguinte endereço de Internet: <https://www.hikvision.com/en/support/compliance/declaration-of-conformity>.

Bandas de frequência e potência (para CE)

As bandas de frequência e os limites nominais da potência de transmissão (radiada e/ou conduzida) aplicáveis ao equipamento de rádio abaixo são os seguintes:

Wi-Fi 2,4 GHz (2,4 GHz a 2,4835 GHz): 20 dBm.

Para o modelo de equipamento: DS-2TD*GLT, DS-2TXS*GLT*.

LTE FDD:

Banda 1: 1920 a 1980 MHz, 23 dBm, classe 3;

Banda 3: 1710 a 1785 MHz, 23 dBm, classe 3;

Banda 5: 824 a 849 MHz, 23 dBm, classe 3;

Banda 7: 2500 a 2570 MHz, 23 dBm, classe 3;

Banda 8: 880 a 915 MHz, 23 dBm, classe 3;

Banda 20: 832 a 862 MHz, 23 dBm, classe 3;

Banda 28: 703 a 748 MHz, 23 dBm, classe 3.

LTE TDD:

Banda 38: 2570 a 2620 MHz, 23 dBm, classe 3;

Banda 40: 2300 a 2400 MHz, 23 dBm, classe 3;

Banda 41: 2555 a 2655 MHz, 23 dBm, classe 3.

WCDMA:

Banda 1: 1920 a 1980 MHz, 23,5 dBm, classe 3;

Banda 5: 824 a 849 MHz, 23,5 dBm, classe 3;

Banda 8: 880 a 915 MHz, 23,5 dBm, classe 3.

**Para o modelo de equipamento:
DS-2TD*GLT(JP), DS-2TXS*GLT*(JP).**

LTE FDD:

Banda 1: 1920 a 1980 MHz, 23 dBm, classe 3;

Banda 3: 1710 a 1785 MHz, 23 dBm, classe 3;

Banda 8: 880 a 915 MHz, 23 dBm, classe 3;

Banda 11: 1427,9 a 1452,9 MHz, 23 dBm, classe 3;

Banda 18: 815 a 830 MHz, 23 dBm, classe 3;

Banda 19: 830 a 845 MHz, 23 dBm, classe 3;

Banda 21: 1447,9 a 1462,9 MHz, 23 dBm, classe 3;

Banda 26: 814 a 849 MHz, 23 dBm, classe 3;

Banda 28: 703 a 748 MHz, 23 dBm, classe 3.

LTE TDD:

Banda 41: 2535 a 2655 MHz, 23 dBm, classe 3.

WCDMA:

Banda 1: 1920 a 1980 MHz, 23,5 dBm, classe 3;

Banda 6: 832,4 a 837,6 MHz, 23,5 dBm, classe 3;

Banda 8: 880 a 915 MHz, 23,5 dBm, classe 3;

Banda 19: 830 a 845 MHz, 23,5 dBm, classe 3.

Para o modelo de equipamento:

**DS-2TD*GLT(LA), DS-2TXS*GLT*(LA),
DS-2TD*GLT(BR), DS-2TXS*GLT*(BR).**

LTE FDD:

Banda 1: 1920 a 1980 MHz, 23 dBm, classe 3;

Banda 2: 1850 a 1910 MHz, 23 dBm, classe 3;

Banda 3: 1710 a 1785 MHz, 23 dBm, classe 3;

Banda 4: 1710 a 1755 MHz, 23 dBm, classe 3;

Banda 5: 824 a 849 MHz, 23 dBm, classe 3;

Banda 7: 2500 a 2570 MHz, 23 dBm, classe 3;

Banda 8: 880 a 915 MHz, 23 dBm, classe 3;

Banda 12: 699 a 716 MHz, 23 dBm, classe 3;

Banda 17: 704 a 716 MHz, 23 dBm, classe 3;

Banda 28: 703 a 748 MHz, 23 dBm, classe 3;

Banda 66: 1710 a 1780 MHz, 23 dBm, classe 3.

LTE TDD:

Banda 38: 2570 a 2620 MHz, 23 dBm, classe 3;

Banda 40: 2300 a 2400 MHz, 23 dBm, classe 3.

WCDMA:

Banda 1: 1920 a 1980 MHz, 23,5 dBm, classe 3;

Banda 2: 1850 a 1910 MHz, 23,5 dBm, classe 3;

Banda 3: 1710 a 1785 MHz, 23,5 dBm, classe 3;

Banda 5: 824 a 849 MHz, 23,5 dBm, classe 3;

Banda 8: 880 a 915 MHz, 23,5 dBm, classe 3.

GSM/GPRS/EDGE:

Banda GSM850: 850 MHz, 32,5 dBm, classe 3;

Banda GSM900: 900 MHz, 32,5 dBm, classe 3;

Banda DCS1800: 1800 MHz, 29,5 dBm, classe 3.

Para dispositivos sem adaptador de alimentação incluído, utilize um adaptador de alimentação fornecido por um fabricante qualificado. Para informações detalhadas sobre os requisitos relativos à alimentação, consulte as especificações do produto.

Para dispositivos sem bateria incluída, utilize uma bateria fornecida por um fabricante qualificado. Para informações detalhadas sobre os requisitos relacionados com a bateria, consulte as especificações do produto.

Aviso: Este é um produto de classe A. Num ambiente doméstico, este produto poderá causar interferências radioelétricas; nesse caso, pode ser necessário que o utilizador tome as medidas adequadas.



2012/19/UE (Diretiva REEE): Os produtos com este símbolo não podem ser eliminados como resíduos urbanos indiferenciados na

União Europeia. Para uma reciclagem adequada, devolva este produto ao seu fornecedor local quando adquirir um novo equipamento equivalente ou elimine-o através dos pontos de recolha adequados. Para mais informações, consulte: www.recyclethis.info.



A Diretiva 2013/56/UE, que revoga a Diretiva 2006/66/CE (diretiva relativa a pilhas e acumuladores): Este produto contém uma bateria que não pode ser eliminada como resíduo urbano indiferenciado na União Europeia. Consulte a documentação do produto para obter informações específicas acerca da bateria. A bateria está marcada com este símbolo, que poderá incluir inscrições para indicar a presença de cádmio (Cd), chumbo (Pb), ou mercúrio (Hg). Para reciclar o produto de forma adequada, devolva a bateria ao seu fornecedor ou coloque-a num ponto de recolha apropriado. Para mais informações, consulte: www.recyclethis.info.

ANATEL

Incorpora produto homologado pela ANATEL sob número HHHHH-AA-FFFFF. Este equipamento não tem direito à proteção contra interferência prejudicial e não pode causar interferência em sistemas devidamente autorizados. Para mais informações, consulte o site da Anatel: <https://www.gov.br/anatel/pt-br>.

Instruções de segurança

Estas instruções destinam-se a garantir que o utilizador possa utilizar o produto corretamente para evitar perigos ou perdas materiais. Antes da utilização, leia atentamente todas as informações relacionadas com a segurança.

Legislação e regulamentos

O dispositivo deve ser utilizado em conformidade com as leis, regulamentos de segurança elétrica e regulamentos de prevenção de incêndios locais.

Transporte

- Mantenha o dispositivo na embalagem original ou similar, quando o transportar.
- Depois da abertura da embalagem do produto, guarde todos invólucros, para uso posterior. Em caso de qualquer avaria, deve devolver o dispositivo à fábrica com o invólucro original.
- O transporte sem o invólucro original pode resultar em danos no dispositivo, sendo que a empresa não assumirá quaisquer responsabilidades.
- Não deixe o produto cair, nem o sujeite a impactos físicos. Mantenha o dispositivo longe de interferências magnéticas.

Alimentação elétrica

- A compra do carregador fica por sua conta. A tensão de entrada deve cumprir a Fonte de potência limitada (12 V CC), de acordo com a norma IEC62368. Consulte as especificações técnicas para obter informações detalhadas.
- Certifique-se de que a ficha está devidamente ligada à tomada.
- A tomada deverá estar instalada perto do equipamento e ser facilmente acessível.
- NÃO ligue vários dispositivos a um adaptador de energia, para evitar o superaquecimento de riscos de incêndio provocados por sobrecarga.
- NÃO toque nos contactos metálicos expostos das entradas depois de desligar o disjuntor. Ainda existe condução de electricidade.
- + identifica o terminal positivo do equipamento com o qual é utilizada ou gera corrente direta. - identifica o terminal negativo do equipamento com o qual é utilizada ou gera corrente direta.
- Certifique-se de que a cablagem dos terminais foi efetuada corretamente para ligação a uma fonte de alimentação CA.


Bateria

- Existe risco de explosão se a bateria for

substituída por outra de tipo incorreto. Elimine pilhas/baterias usadas de acordo com as instruções.

- A bateria integrada não pode ser desmontada. Contacte o fabricante caso necessite de uma reparação.
- Em caso de armazenamento prolongado da bateria, certifique-se de que esta é totalmente carregada de 6 em 6 meses, garantindo, assim, a sua qualidade. Caso contrário, poderão ocorrer danos.
- Este equipamento não se adequa a utilização em locais onde a presença de crianças seja provável.
- A substituição incorreta da bateria por outra de tipo incorreto pode destruir uma proteção (por exemplo, no caso de alguns tipos de bateria de lítio).
- Não proceda à eliminação da bateria numa fogueira ou forno quente, ou mediante esmagamento ou corte mecânico da mesma pois tal pode resultar numa explosão.
- Não deixe a bateria num ambiente com temperaturas extremamente elevadas pois tal pode resultar numa explosão ou na fuga de líquido inflamável ou gás.
- Não sujeite a bateria a pressão de ar extremamente baixa pois tal poderá resultar numa explosão de líquido inflamável ou gás.

Iluminador de luz (se compatível)

 **ADVERTÊNCIA:** Este produto emite radiação ótica possivelmente perigosa. NÃO fixe o olhar na lâmpada em funcionamento. Pode ser prejudicial aos olhos. Use proteção ocular adequada ou NÃO ligue a luz branca ao montar, instalar ou proceder à manutenção da câmara.

Instalação

- Nunca coloque o equipamento num local instável. O equipamento pode cair e causar lesões corporais graves ou morte.
- Este equipamento destina-se a ser utilizado apenas com os suportes correspondentes. A utilização com outros tipos de suporte (carrinhos, bancadas ou carrinhos de transporte) pode resultar em instabilidade e causar ferimentos.

Segurança do sistema

- O utilizador reconhece que a natureza da Internet comporta riscos de segurança inerentes e que a nossa empresa não será responsabilizada pelo funcionamento anormal, perda de privacidade ou outros danos resultantes de ataques informáticos ou

ataques de pirataria. No entanto, a nossa empresa prestará apoio técnico atempado, se solicitado.

- Por favor, cumpra os requisitos de proteção de informações pessoais e de segurança de dados, uma vez que o dispositivo pode enfrentar problemas de segurança ao estar ligado à internet. Por favor, contacte-nos quando achar que o dispositivo possa estar exposto a riscos de segurança por estar ligado à rede.
- Por favor, tenha em consideração que a configuração das palavras-passe e de outras definições de segurança do dispositivo são da sua responsabilidade, assim como o guardar do seu nome de utilizador e da sua palavra-passe.

Manutenção

- Se o produto não funcionar corretamente, contacte o seu fornecedor ou o seu centro de assistência mais próximo. Não assumimos qualquer responsabilidade por problemas causados por reparações ou manutenções não autorizadas.
- Alguns componentes do dispositivo (por exemplo, condensador eletrolítico) necessita de substituição regular. A duração média varia, portanto, recomenda-se verificação periódica. Entre em contacto com o respetivo revendedor para obter detalhes.
- Limpe o dispositivo suavemente com um pano limpo e uma pequena quantidade de etanol, se necessário.
- Se o equipamento for utilizado de uma forma não especificada pelo fabricante, a proteção providenciada pelo dispositivo poderá ser afetada.
- Para reduzir o risco de incêndio, o fusível deve ser substituído apenas por outro do mesmo tipo e com a mesma potência.
- A porta série do equipamento é utilizada apenas para a depuração.
- Desligue a fonte de alimentação durante as operações de manutenção.

Ambiente da utilização

- Certifique-se de que o ambiente de funcionamento do dispositivo cumpre os requisitos do mesmo. A temperatura de funcionamento deve situar-se entre os -40 °C e os 65 °C e a humidade de funcionamento

deve situar-se entre 5% e 95%, sem condensação.

- NÃO exponha o dispositivo a radiação eletromagnética elevada nem a ambientes com pó.
- NÃO direcione a lente para o sol nem para qualquer outra luz brilhante.
- O equipamento não deverá ser exposto a derrames ou salpicos de líquidos e nenhum objeto que contenha líquidos, como vasos, deverá ser colocado sobre o equipamento.
- Não deverão ser colocadas fontes de chama livre, como velas acesas, sobre o equipamento.
- Providencie um supressor de picos na abertura da entrada do equipamento em condições especiais, como no cimo de uma montanha, numa torre de ferro ou na floresta.



- Queimadura dos dedos resultante do manuseamento de peças com este símbolo. Desligue o equipamento, aguarde trinta minutos e só então deverá manusear as peças.

Emergência

- Caso o dispositivo emita fumo, odores ou ruídos, desligue a alimentação elétrica de imediato, retire o cabo de alimentação da tomada e contacte o centro de assistência.

Endereço do fabricante

Nº.555 Rua Qianmo, Distrito Binjiang, Hangzhou 310052, China
Hangzhou Hikvision Digital Technology Co., Ltd.

AVISO DE CONFORMIDADE: Os produtos da série térmica poderão estar sujeitos a controlos de exportação em vários países ou regiões, incluindo sem limite, os Estados Unidos da América, a União Europeia, o Reino Unido e/ou outros países-membro do Acordo de Wassenaar. Consulte o seu especialista em legislação ou em conformidade ou as autoridades locais para saber os requisitos de licença de exportação necessários se pretender transferir, exportar, voltar a exportar os produtos da série térmica entre países diferentes.

Nederlands



Het uiterlijk van het product is alleen bedoeld als referentie en kan verschillen van het werkelijke product.

Verschijsning (pagina 1 – A)

Componenten en kabel

Nr.	Componenten en interfaces
1	Camera
2	Fotovoltaïsch zonnepaneel
3	Verbindingsbeugel
4	Audio-ingang, audio-uitgang
5	Alarm-ingang x 2, Alarm-uitgang x 2
6	Netwerkkabel
7	RS-485, voedingskabel

De camerakit installeren (pagina 1 – B)

Stappen:

1. Installeer de camera op de verbindingsbeugel.
 - 1) Draai de schroeven aan de zijkant van de beugel los en verwijder deze om de basis los te halen.
 - 2) Bevestig de basis aan de onderkant van de camera met twee HSF UNC1-4-20X12-schroeven.
 - 3) Lijn de gaten in de basis uit met de gaten in de beugel en bevestig de basis aan de beugel met de eerder verwijderde schroeven.
2. Leid de langere kabels, zoals de stroom- en RS-485-kabel, door de verbindingsbeugel en wikkel andere kabels in waterdichte tape om ze af te dichten.
3. Plaats de batterij in het fotovoltaïsche zonnepaneel.

Opmerking: De zonnecel is niet inbegrepen in het pakket. Schaf deze afzonderlijk aan.

4. Monteer de verbindingsbeugel aan het zonnepaneel. Leid de RS-485- en voedingskabel door de gaten op het schakelpaneel, lijn het gat op de verbindingsbeugel uit met het gat op het schakelpaneel en draai de schroeven vast.
5. Draai de schroeven los en verwijder ze om de afdekking van de draadbox los te halen.
6. Leid de uitgangskabel van het zonnepaneel en die van de batterij door de gaten van de draadbox, en voer de stroom- en RS-485-kabel van de camera door de gaten van het schakelpaneel en de draadbox. Sluit de kabels aan en draai de schroeven vast om de afdekking van de draadbox te installeren.

Opmerking: Wikkel de verbindingssplek in met waterdichte tape om af te dichten.

7. Selecteer een gepaste hoogte om de kit te

installeren. Haal de verticale paalbevestiging, het schroefpakket voor de bevestiging en de bevestigingsstang eruit, haal vier M12-bouten door de installatiegaten op de verticale paalbevestiging en de bevestigingsstang en draai elke bout vast met een platte pakking en twee moeren.

8. Haak de kit aan de verticale paalmontagebeugel en bevestig de kit met de platte pakkingen, veerringen en moeren.
9. Wikkel het veiligheidskoord rond de verticale paal en maak de vergrendelingsgreep vast aan het veiligheidskoord.
10. Pas de hoeken van het PV-zonnepaneel en de camera aan.

De enkele camera installeren (pagina 6 – C)

Muurmontage (pagina 6 – C.1)

Stappen:

1. Draai de schroeven aan de zijkant van de beugel los en verwijder deze om de basis los te halen, en bevestig de basis aan de onderkant van de camera met twee UNC1-4-schroeven.
2. Lijn de gaten in de basis uit met de gaten in de beugel en bevestig de basis aan de beugel met de eerder verwijderde schroeven.
3. Boor vier gaten in de muur aan de hand van het boorsjabloon.
4. Bevestig de camera aan de muur met behulp van expansiebouten, pakkingen en moeren.
5. Draai de schroeven bij de verbinding los om de kantelhoek van de camera aan te passen, en draai de schroeven aan de onderkant van de basis los om de panhoek van de camera aan te passen. Haal de schroeven aan na de afstelling.

Paalmontage (pagina 7 – C.2)

1. Draai de schroeven aan de zijkant van de beugel los en verwijder deze om de basis los te halen, en bevestig de basis aan de onderkant van de camera met twee UNC1-4-schroeven.
2. Lijn de gaten in de basis uit met de gaten in de beugel en bevestig de basis aan de beugel met de eerder verwijderde schroeven.
3. Zet de paalmontagebeugel vast met drie snelsluitringen en bevestig de beugel tegen de paal.
4. Bevestig de camera aan de

paalmontagebeugel met behulp van vier M4-schroeven.

5. Draai de schroeven bij de verbinding los om de kantelhoek van de camera aan te passen, en draai de schroeven aan de onderkant van de basis los om de panhoek van de camera aan te passen. Haal de schroeven aan na de afstelling.

Waterdichte methode (pagina 8)

1. Plaats het waterdichte omhulsel van de netwerkkabel (pagina 8 – D).
2. Gebruik de meegeleverde waterdichte tape om kabelconnectoren en ongebruikte kabels te beschermen (pagina 8 – E).

Beschermingsmaatregelen (pagina 9 – F – 1)

Apparaat activeren en benaderen (pagina 9 – F – 2)

Gebruiksaanwijzing



Informatie over naleving van regelgeving en veiligheid

Lees alle informatie en instructies in dit document aandachtig door voordat u het apparaat gebruikt en bewaar deze om ze later te kunnen raadplegen.

Voor meer informatie en instructies, bezoekt u onze website op <https://www.hikvision.com>. U kunt ook andere documenten (als die er zijn) die bij het apparaat zijn geleverd, raadplegen of u kunt de QR-code (als die er is) op de verpakking scannen om meer informatie te verkrijgen.

Juridische informatie

VRIJWARINGSCLAUSULE

VOOR ZOVER MAXIMAAL TOEGESTAAN OP GROND VAN HET TOEPASSELIJK RECHT, WORDEN DEZE HANDLEIDING EN HET OMSCHREVEN PRODUCT, INCLUSIEF HARDWARE, SOFTWARE EN FIRMWARE, GELEVERD 'ZOALS ZE ZIJN', INCLUSIEF 'FOUTEN EN GEBREKEN'. HIKVISION GEEFT GEEN GARANTIES, EXPLICIET NOCH IMPLICIET, MET INBEGRIJ EN ZONDER BEPERKING VAN OMTRENT VERKOOPBAARHEID, TEVREDENHEID OMTRENT KWALITEIT OF GESCHIKTHEID VOOR EEN BEPAALD DOEL. HET GEBRUIK

VAN HET PRODUCT DOOR U IS OP EIGEN RISICO. IN GEEN GEVAL IS HIKVISION VERANTWOORDELIJK VOOR SPECIALE, BIJKOMENDE, INCIDENTELE OF INDIRECTE SCHADE, WAARONDER, ONDER ANDERE, SCHADE DOOR WINSTDERIVING, WERKONDERBREKING OF VERLIES VAN GEGEVENS, CORRUPTIE VAN SYSTEMEN OF VERLIES VAN DOCUMENTATIE, ONGEACHT OF DIT VOORTVLOEIT UIT CONTRACTBREUK, BENADELING (INCLUSIEF NALATIGHEID), PRODUCTAANSPRAKELIJKHEID OF ANDERS, MET BETREKKING TOT HET PRODUCT, ZELF ALS HIKVISION OP DE HOOGTE IS GEBRACHT VAN DERGELIJKE SCHADE OF VERLIES.

U ERKENT DAT DE AARD VAN INTERNET INHERENTE VEILIGHEIDSRISICO'S MET ZICH MEE BRENGT, EN HIKVISION GEEN ENKELE VERANTWOORDELIJKHEID NEEMT VOOR ABNORMALE WERKING, PRIVACYLEKKEN OF ANDERE SCHADE DIE VOORTVLOEIT UIT CYBERAANVAL, HACKERAANVAL, VIRUSINFECTIE OF ANDERE INTERNETVEILIGHEIDSRISICO'S; HIKVISION BIJDT INDIEN NODIG ECHTER TIJDELIJK TECHNISCHE ONDERSTEUNING.

U GAAT AKKOORD MET HET GEBRUIK VAN DIT PRODUCT IN OVEREENSTEMMING MET ALLE TOEPASSELIJKE WETTEN EN U BENT ALS ENIGE VERANTWOORDELIJK VOOR DE GARANTIE DAT UW GEBRUIK OVEREENSTEMT MET DE TOEPASSELIJKE WET. U BENT VOORAL VERANTWOORDELIJK DAT HET GEBRUIK VAN DIT PRODUCT GEEN INBREUK PLEEGT OP DE RECHTEN VAN DERDEN, INCLUSIEF EN ZONDER BEPERKING DE RECHTEN VAN PUBLICITEIT, INTELLECTUEEL EIGENDOM OF GEGEVENSBECHERMING EN ANDERE PRIVACYRECHTEN. U MAG DIT PRODUCT NIET GEBRUIKEN VOOR ENIGE VERBODEN EINDGEBRUIK, MET INBEGRIJ VAN DE ONTWIKKELING OF DE PRODUCTIE VAN MASSAVERNIEGTIGINGSWAPENS, DE ONTWIKKELING OF DE PRODUCTIE VAN CHEMISCHE OF BIOLOGISCHE WAPENS, ALLE ACTIVITEITEN IN HET KADER VAN EVENTUELE NUCLEAIRE EXPLOSIEVEN OF ONVEILIGE NUCLEAIRE BRANDSTOF CYCLUS, OF TER ONDERSTEUNING VAN MENSENRECHTENSCHENDINGEN. IN HET GEVAL VAN ENIGE CONFLICTEN TUSSEN DEZE HANDLEIDING EN DE TOEPASSELIJKE WETGEVING, PREVALEERT DE LAATSTE.

Informatie met betrekking tot regelgeving

Deze clausules zijn alleen van toepassing op de producten die de overeenkomende markering of informatie dragen.

Nalevingsverklaring EU

CE Dit product en - indien van toepassing - de meegeleverde accessoires dragen het merktken "CE" en voldoen derhalve aan de toepasselijke geharmoniseerde Europese normen onder richtlijn 2014/30/EU (EMCD), richtlijn 2014/35/EU (LVD) en richtlijn 2011/65/EU (RoHS).

Hierbij verklaart Hangzhou Hikvision Digital Technology Co., Ltd. dat dit apparaat (zie het etiket) in overeenstemming is met Richtlijn 2014/53/EU.

De volledige tekst van de EU-conformiteitsverklaring kunt u vinden op het volgende internetadres:
<https://www.hikvision.com/en/support/compliance/declaration-of-conformity>.

Frequentiebanden en vermogen (voor CE)

De nominale limieten voor frequentiebanden en zendvermogen (uitgestraald en/of geleid) die van toepassing zijn op de volgende radioapparatuur zijn als volgt:

Wi-Fi 2,4 GHz (2,4 GHz tot 2,4835 GHz):
20 dBm.

Voer apparaatmodel: DS-2TD*GLT, DS-2TXS*GLT*.

LTE FDD:

Band 1: 1920 tot 1980 MHz, 23 dBm, klasse 3;
 Band 3: 1710 tot 1785 MHz, 23 dBm, klasse 3;
 Band 5: 824 tot 849 MHz, 23 dBm, klasse 3;
 Band 7: 2500 tot 2570 MHz, 23 dBm, klasse 3;
 Band 8: 880 tot 915 MHz, 23 dBm, klasse 3;
 Band 20: 832 tot 862 MHz, 23 dBm, klasse 3;
 Band 28: 703 tot 748 MHz, 23 dBm, klasse 3.

LTE TDD:

Band 38: 2570 tot 2620 MHz, 23 dBm, klasse 3;
 Band 40: 2300 tot 2400 MHz, 23 dBm, klasse 3;
 Band 41: 2555 tot 2655 MHz, 23 dBm, klasse 3.
 WCDMA:

Band 1: 1920 tot 1980 MHz, 23,5 dBm, klasse 3;
 Band 5: 824 tot 849 MHz, 23,5 dBm, klasse 3;
 Band 8: 880 tot 915 MHz, 23,5 dBm, klasse 3.

Voor apparaatmodel: DS-2TD*GLT(JP), DS-2TXS*GLT*(JP).

LTE FDD:

Band 1: 1920 tot 1980 MHz, 23 dBm, klasse 3;
 Band 3: 1710 tot 1785 MHz, 23 dBm, klasse 3;

Band 8: 880 tot 915 MHz, 23 dBm, klasse 3;

Band 11: 1427,9 tot 1452,9 MHz, 23 dBm, klasse 3;

Band 18: 815 tot 830 MHz, 23 dBm, klasse 3;

Band 19: 830 tot 845 MHz, 23 dBm, klasse 3;

Band 21: 1447,9 tot 1462,9 MHz, 23 dBm, klasse 3;

Band 26: 814 tot 849 MHz, 23 dBm, klasse 3;

Band 28: 703 tot 748 MHz, 23 dBm, klasse 3.

LTE TDD:

Band 41: 2535 tot 2655 MHz, 23 dBm, klasse 3.

WCDMA:

Band 1: 1920 tot 1980 MHz, 23,5 dBm, klasse 3;

Band 6: 832,4 tot 837,6 MHz, 23,5 dBm, klasse 3;

Band 8: 880 tot 915 MHz, 23,5 dBm, klasse 3;

Band 19: 830 tot 845 MHz, 23,5 dBm, klasse 3.

Voor apparaatmodel: DS-2TD*GLT(LA), DS-2TXS*GLT*(LA), DS-2TD*GLT(BR), DS-2TXS*GLT*(BR).

LTE FDD:

Band 1: 1920 tot 1980 MHz, 23 dBm, klasse 3;

Band 2: 1850 tot 1910 MHz, 23 dBm, klasse 3;

Band 3: 1710 tot 1785 MHz, 23 dBm, klasse 3;

Band 4: 1710 tot 1755 MHz, 23 dBm, klasse 3;

Band 5: 824 tot 849 MHz, 23 dBm, klasse 3;

Band 7: 2500 tot 2570 MHz, 23 dBm, klasse 3;

Band 8: 880 tot 915 MHz, 23 dBm, klasse 3;

Band 12: 699 tot 716 MHz, 23 dBm, klasse 3;

Band 17: 704 tot 716 MHz, 23 dBm, klasse 3;

Band 28: 703 tot 748 MHz, 23 dBm, klasse 3;

Band 66: 1710 tot 1780 MHz, 23 dBm, klasse 3.

LTE TDD:

Band 38: 2570 tot 2620 MHz, 23 dBm, klasse 3;

Band 40: 2300 tot 2400 MHz, 23 dBm, klasse 3.

WCDMA:

Band 1: 1920 tot 1980 MHz, 23,5 dBm, klasse 3;

Band 2: 1850 tot 1910 MHz, 23,5 dBm, klasse 3;

Band 3: 1710 tot 1785 MHz, 23,5 dBm, klasse 3;

Band 5: 824 tot 849 MHz, 23,5 dBm, klasse 3;

Band 8: 880 tot 915 MHz, 23,5 dBm, klasse 3.

GSM/GPRS/EDGE:

Band GSM850: 850 MHz, 32,5 dBm, klasse 3;

Band GSM900: 900 MHz, 32,5 dBm, klasse 3;

Band DCS1800: 1800 MHz, 29,5 dBm, klasse 3.

Voor een apparaat zonder meegeleverde voedingsadapter, dient u de voedingsadapter te gebruiken van een gekwalificeerde fabrikant. Raadpleeg de productspecificaties voor nauwkeurig omschreven vereisten omtrent de voeding.

Voor een apparaat zonder meegeleverde batterij, dient u de batterij te gebruiken van

een gekwalificeerde fabrikant. Raadpleeg de productspecificaties voor nauwkeurig omschreven vereisten omtrent de batterij. **Waarschuwing:** Dit is een product van klasse A. Dit product kan in een huishoudelijke omgeving radiostoring veroorzaken, in welk geval de gebruiker gepaste maatregelen moet treffen.



2012/19/EU (WEEE-richtlijn): Producten die met dit symbool zijn gemarkeerd mogen binnen de Europese Unie niet worden

weggegooid als ongesorteerd huishoudelijk afval. Lever dit product voor een juiste recycling in bij uw plaatselijke leverancier bij aankoop van soortgelijke nieuwe apparatuur, of breng het naar daarvoor aangewezen inzamelpunten. Raadpleeg voor meer informatie: www.recyclethis.info.



2006/66/EG en het amendement 2013/56/EU (batterijrichtlijn): Dit product bevat een batterij die binnen de Europese Unie niet mag worden

weggegooid als ongesorteerd huishoudelijk afval. Zie de productdocumentatie voor specifieke informatie over de batterij. De batterij is gemarkeerd met dit symbool, dat letters kan bevatten die cadmium (Cd), lood (Pb) of kwik (Hg) aanduiden. Lever de batterij voor een juiste recycling in bij uw leverancier of bij een daarvoor aangewezen inzamelpunt. Raadpleeg voor meer informatie: www.recyclethis.info.

Veiligheidsinstructies

Deze instructies zijn bedoeld om te verzekeren dat de gebruiker het product juist kan gebruiken om gevaar of verlies van eigendommen te vermijden. Lees alle veiligheidsinformatie aandachtig door vóór het gebruik.

Wet- en regelgeving

Het apparaat moet worden gebruikt in overeenstemming met lokale wetgeving, elektrische veiligheidsvoorschriften en voorschriften voor brandpreventie.

Transport

- Bewaar het apparaat in de originele of soortgelijke verpakking tijdens vervoer.
- Bewaar alle verpakkingen voor toekomstig gebruik. In het geval van een defect moet u het apparaat terugsturen naar de fabriek met de originele verpakking.
- Transport zonder de originele verpakking kan leiden tot schade aan het apparaat, waarvoor wij geen verantwoordelijk erkennen.

- Laat het product niet vallen en stel het apparaat niet bloot aan schokken. Houd het apparaat uit de buurt van magnetische interferentie.

Stroomvoorziening

- Koop de lader zelf. De ingangsspanning moet voldoen aan de Beperkte Voedingsbron (12 VDC) volgens de IEC62368-norm. Zie de technische specificaties voor gedetailleerde informatie.
- Zorg dat de stekker goed in het stopcontact zit.
- Het stopcontact moet in de buurt van de apparatuur worden geïnstalleerd en eenvoudig toegankelijk zijn.
- Sluit NOOIT meerdere apparaten aan op één voedingsadapter om oververhitting of brandgevaar door overbelasting te voorkomen.
- Raak de blanke metalen contacten van de inlaten niet aan nadat de stroomonderbreker is uitgeschakeld. Er is nog steeds elektriciteit aanwezig.
- + identificeert de positieve aansluiting(en) van apparatuur die wordt gebruikt met gelijkstroom of die dat genereert. - identificeert de negatieve aansluiting(en) van apparatuur die wordt gebruikt met gelijkstroom of die dat genereert.
- Zorg voor de juiste bekabeling van de klemmen voor aansluiting op een wisselstroomnet.

Batterij

- Er bestaat explosiegevaar wanneer de batterij door een onjuist type wordt vervangen. Verwijder gebruikte batterijen in overeenstemming met de instructies.
- De ingebouwde batterij kan niet worden gedemonteerd. Neem indien nodig contact op met de fabrikant voor reparatie.
- Voor langdurige opslag van de batterij moet u ervoor zorgen dat deze elk half jaar volledig wordt opgeladen om de kwaliteit van de batterij te waarborgen. Als u dit niet doet, kan dit leiden tot schade.
- Deze apparatuur is niet geschikt voor gebruik op locaties waar waarschijnlijk kinderen aanwezig zijn.
- Onjuiste vervanging van de batterij door een onjuist type kan een beveiliging omzeilen (bijvoorbeeld in het geval van sommige typen lithiumbatterijen).
- Gooi de batterij niet in vuur of een hete oven en plet of snij de batterij niet op mechanische wijze, want dat kan een explosie veroorzaken.
- Laat de batterij niet in een omgeving met een

extreem hoge temperatuur liggen, want dat kan een explosie of het lekken van brandbare vloeistof of gas tot gevolg hebben.

- Stel de batterij niet bloot aan extreem lage luchtdruk, want dat kan een explosie of het lekken van brandbare vloeistof of gas tot gevolg hebben.

Verlichting (indien ondersteund)



LET OP: Dit product stoot mogelijk gevaarlijke optische straling uit. Kijk NIET in de werkende lamp. Dit kan schadelijk zijn voor uw ogen. Draag de juiste oogbescherming of doe het witte licht NIET aan wanneer u de camera monteert, installeert of onderhoudt.

Installatie

- Plaats de apparatuur nooit op een onstabiele plaats. De apparatuur kan dan vallen, wat ernstig letsel of de dood tot gevolg kan hebben.
- Deze apparatuur is uitsluitend bedoeld voor gebruik met bijpassende klemmen. Gebruik met andere voorwerpen (karren, standaards of dragers) kan leiden tot instabiliteit letsel veroorzaken.

Systeembeveiliging

- U erkent dat de aard van internet zorgt voor inherente veiligheidsrisico's, en ons bedrijf zal geen enkele verantwoordelijkheid accepteren voor abnormale werking, schending van privacy of andere schade als gevolg van een cyber- of hacker-aanval; ons bedrijf zal echter tijdige technische ondersteuning bieden indien vereist.
- Zorg voor bescherming van persoonlijke gegevens en gegevensbeveiliging aangezien het apparaat mogelijk te maken kan krijgen met netwerkbeveiligingsproblemen wanneer het met internet wordt verbonden. Neem contact met ons op als er netwerkbeveiligingsrisico's voor het apparaat optreden.
- Wij vragen uw begrip voor het feit dat u verantwoordelijkheid bent voor het configureren van alle wachtwoorden en andere beveiligingsinstellingen betreffende het apparaat, en bewaar uw gebruikersnaam en wachtwoord.

Onderhoud

- Als het product niet goed werkt, neem dan contact op met uw leverancier of het dichtstbijzijnde servicecentrum. Wij aanvaarden geen verantwoordelijkheid voor problemen die zijn veroorzaakt door

ongeautoriseerde reparatie of onderhoud.

- Een paar componenten van het apparaat (o.a. elektrolytische condensator) vereisen regelmatige vervanging. De gemiddelde levensduur varieert, dus periodieke controle wordt aanbevolen. Neem contact op met uw leverancier voor meer informatie.
- Veeg het apparaat voorzichtig schoon met een schone doek en, indien nodig, een kleine hoeveelheid ethanol.
- Als de apparatuur wordt gebruikt op een manier die niet door de fabrikant is gespecificeerd, kan de bescherming van het apparaat worden aangetast.
- Vervang de zekering uitsluitend door een exemplaar van hetzelfde type en vermogen om het risico van brand te reduceren.
- De seriële poort van de apparatuur wordt alleen gebruikt voor foutopsporing.
- Ontkoppel de voeding tijdens onderhoud.

Gebruiksomgeving

- Zorg dat de gebruiksomgeving voldoet aan de vereisten van het apparaat. Het apparaat werkt bij een temperatuur van -40 °C tot 65 °C en een luchtvochtigheid van 5% tot 95% of lager, geen condensatie.
- Stel het apparaat NIET bloot aan hoge elektromagnetische straling of stoffige omgevingen.
- Richt de lens NIET op de zon of een ander fel licht.
- De apparatuur mag niet worden blootgesteld aan druppels of spetters en er mogen geen voorwerpen gevuld met vloeistoffen, zoals vazen, op de apparatuur worden geplaatst.
- Plaats geen bronnen met open vuur, zoals brandende kaarsen, op het apparaat.
- Zorg voor een overspanningsbeveiliging bij de inlaatopening van de apparatuur onder speciale omstandigheden, zoals op een bergtop, ijzeren toren en in het bos.



U kunt uw vingers verbranden als u onderdelen met dit symbool vastpakt. Wacht een half uur na uitschakelen voordat u de onderdelen beetpakt.

Noodgeval

- Als er rook, geur of geluid uit het apparaat komt, schakel het dan onmiddellijk uit, haal de stekker van het netsnoer uit het stopcontact en neem contact op met het servicecentrum.

Adres fabrikant

Nr. 555, Qianmo Road, district Binjiang, Hangzhou 310052, China
Hangzhou Hikvision Digital Technology Co.,

Ltd.

MEDEDELING VAN NALEVING: De producten thermische serie kunnen zijn onderworpen aan exportcontroles in verschillende landen of regio's, inclusief zonder enige beperking de Verenigde Staten, de Europese Unie, het Verenigd Koninkrijk en/of andere lidstaten van de Overeenkomst van Wassenaar. Neem

contact op met uw professionele juridische of nalevingsexpert of plaatselijke overheidsinstanties omtrent enige noodzakelijke vereisten voor een exportvergunning als u van plan bent de producten thermische serie te verplaatsen, exporteren of her-exporteren tussen verschillende landen.

Čeština



Vzhled výrobku slouží pouze jako reference a může se od skutečného výrobku lišit.

Vzhled (strana 1 – A)

Součásti a kabely

Č.	Součásti a rozhraní
1	Kamera
2	Solární fotovoltaický panel
3	Spojovací držák
4	Audiovstup, audiovýstup
5	Alarmový vstup 2x, alarmový výstup 2x
6	Síťový kabel
7	RS-485, napájecí kabel

Montáž sady kamery (strana 1 – B)

Kroky:

- Namontujte kameru na spojovací držák.
 - Povolte a sejměte šrouby po straně držáku, abyste mohli sundat základnu.
 - Pomocí dvou šroubů HSF UNC1-4-20X12 připevněte základnu ke spodní části kamery.
 - Vyrovnejte otvory na základně s otvory na držáku a pomocí šroubů, které jste předtím sejmuli, připevněte základnu k držáku.
- Protáhněte delší kabely, jako je napájecí kabel a kabel RS-485, skrz spojovací držák a omotejte ostatní kabely vodotěsnou páskou, abyste je utěsnili.
- Vložte do solárního fotovoltaického panelu baterii.

Poznámka: Solární baterie není součástí balení. Musí být zakoupen samostatně.

- Namontujte spojovací držák k solární baterii. Protáhněte kabel RS-485 a napájecí kabel skrz otvory na panelu, vyrovnejte otvor na spojovacím držáku s otvorem na panelu a utažením šroubů je připevněte k sobě.
- Povolením a sejutím šroubů demontujte kryt kabelové skříňky.
- Výstupní kabel solárního panelu a výstupní

kabel baterie protáhněte skrz otvory kabelové skříňky a napájecí kabel a kabel RS-485 protáhněte skrz otvory panelu a kabelové skříňky. Propojte kabely a utažením šroubů namontujte kryt kabelové skříňky.

Poznámka: Místo spoje omotejte vodotěsnou páskou, abyste jej utěsnili.

- Zvolte k montáži sady vhodnou výšku. Vytáhněte držák na vertikálním sloupeku, balíček šroubů k montáži a montážní tyč a montážními otvory na držáku na vertikálním sloupeku a montážní tyči protáhněte čtyři šrouby M12. Utáhněte jednotlivé šrouby s plochým těsněním a dvěma maticemi.
- Sadu na držák na vertikální sloupek zajistěte a pomocí plochých těsnění, pružných podložek a matic sadu připevněte.
- Oviňte kolem vertikálního sloupku bezpečnostní lanko a připevněte na bezpečnostní lanko západku zámku.
- Nastavte úhel solárního FV panelu a kamery.

Montáž jedné kamery (strana 6 – C)

Montáž na zeď (strana 6 – C.1)

Kroky:

- Povolte a sejměte šrouby po straně držáku, abyste mohli sundat základnu, a pomocí dvou šroubů UNC1-4 připevněte základnu ke spodní části kamery.
- Vyrovnejte otvory na základně s otvory na držáku a pomocí šroubů, které jste předtím sejmuli, připevněte základnu k držáku.
- Vyvrtejte do zdi podle vrtací šablony čtyři otvory.
- Pomocí hmoždinek, těsnění a matic připevněte kameru ke zdi.
- Povolte šrouby ve spoji, a nastavte pak úhel náklonu kamery. Povolte šrouby na spodní části základny, abyste si nastavili úhel otáčení kamery. Po nastavení šrouby dotáhněte.

Montáž na sloupek (strana 7 – C.2)

1. Povolte a sejměte šrouby po straně držáku, abyste mohli sundat základnu, a pomocí dvou šroubů UNC1-4 připevněte základnu ke spodní části kamery.
2. Vyrovnajte otvory na základně s otvory na držáku a pomocí šroubů, které jste předtím sejmuli, připevněte základnu k držáku.
3. Protáhněte držák pro montáž na sloup se třemi rychlozajišťovacími háčky a připevněte držák ke sloupci.
4. Pomocí čtyř šroubů M4 připevněte kameru k držáku pro montáž na sloupek.
5. Povolte šrouby ve spoji, a nastavte pak úhel náklonu kamery. Povolte šrouby na spodní části základny, abyste si nastavili úhel otáčení kamery. Po nastavení šrouby dotáhněte.

Voděodolný způsob (strana 8)

1. Namontujte na síťový kabel voděodolný plášť (strana 8 – D).
2. K ochraně konektorů kabelu a nepoužívaných kabelů použijte dodanou voděodolnou pásku (strana 8 – E).

Ochranná opatření (strana 9 – F – 1)

Aktivace zařízení a přístup k němu

(strana 9 – F – 2)

Návod k obsluze



Dodržování předpisů a bezpečnostní informace

Před použitím zařízení si pečlivě přečtěte všechny informace a pokyny v tomto dokumentu a dokument uschovejte pro pozdější použití.

Více informací a pokynů k tomuto zařízení najdete na našich webových stránkách <https://www.hikvision.com>. Další informace můžete také získat z ostatních dokumentů dodaných se zařízením (pokud byly nějaké dodány) nebo naskenováním QR kódu z obalu zařízení (pokud se na něm nějaký kód nachází).

Právní informace

PROHLÁŠENÍ O VYLOUČENÍ ODPOVĚDNOSTI TATO PŘÍRUČKA A POPISOVANÉ PRODUKTY

VČETNĚ PŘÍSLUŠNÉHO HARDWARU, SOFTWARE A FIRMWARE JSOU V MAXIMÁLNÍM ROZSAHU PŘÍPUSTNĚM PODLE ZÁKONA POSKYTOVÁNY „JAK STOJÍ A LEŽÍ“, A „SE VŠEMI VADAMI A CHYBAMI“. SPOLEČNOST HIKVISION NEPOSKYTUJE ŽÁDNÉ VÝSLOVNĚ ANI PŘEDPOKLÁDANÉ ZÁRUKY ZAHRNÚJÍCÍ MIMO JINÉ PRODEJNOST, USPOKOJIVOU KVALITU NEBO VHODNOST KE KONKRÉTNÍM ÚČELŮM. POUŽÍVÁNÍ TOHOTO PRODUKTU JE NA VAŠE VLASTNÍ RIZIKO. SPOLEČNOST HIKVISION V ŽÁDNÉM PŘÍPADĚ NENESE ODPOVĚDNOST ZA JAKÉKOLI ZVLÁŠTNÍ, NÁSLEDNÉ, NÁHODNÉ NEBO NEPŘÍMÉ ŠKODY ZAHRNÚJÍCÍ MIMO JINÉ ŠKODY ZE ZTRÁTY OBCHODNÍHO ZISKU, PŘERUŠENÍ OBCHODNÍ ČINNOSTI NEBO ZTRÁTY DAT, POŠKOZENÍ SYSTÉMŮ NEBO ZTRÁTY DOKUMENTACE V SOUVISLOSTI S POUŽÍVÁNÍM TOHOTO VÝROBKU BEZ OHLEDU NA TO, ZDA TAKOVÉ ŠKODY VZNIKLY Z DŮVODU PORUŠENÍ SMLOUVY, OBČANSKOPRÁVNÍHO PŘEČINU (VČETNĚ NEDBALOSTI) ČI ODPOVĚDNOSTI ZA VÝROBEK, A TO ANI V PŘÍPADĚ, ŽE SPOLEČNOST HIKVISION BYLA NA MOŽNOST TAKOVÝCHTO ŠKOD NEBO ZTRÁTY UPOZORNĚNA.

BERETE NA VĚDOMÍ, ŽE INTERNET SVOU PODSTATOU PŘEDSTAVUJE SKRYTÁ BEZPEČNOSTNÍ RIZIKA A SPOLEČNOST HIKVISION PROTO NEPŘEBÍRÁ ŽÁDNOU ODPOVĚDNOST ZA NESTANDARDNÍ PROVOZNÍ CHOVÁNÍ, ÚNIK OSOBNÍCH ÚDAJŮ NEBO JINÉ ŠKODY VYPLÝVAJÍCÍ Z KYBERNETICKÉHO ČI HACKERSKÉHO ÚTOKU, NAPADENÍ VÍREM NEBO ŠKODY ZPŮSOBENÉ JINÝMI INTERNETOVÝMI BEZPEČNOSTNÍMI RIZIKY. SPOLEČNOST HIKVISION VŠAK V PŘÍPADĚ POTŘEBY POSKYTNE VČASNOU TECHNICKOU PODPORU.

SOUHLÁŠÍTE S TÍM, ŽE TENTO PRODUKT BUDE POUŽÍVÁN V SOULADU SE VŠEMI PLATNÝMI ZÁKONY A VÝHRADNĚ ODPOVÍDÁTE ZA ZAJIŠTĚNÍ, ŽE VAŠE UŽÍVÁNÍ BUDE V SOULADU S PLATNOU LEGISLATIVOU. ODPOVÍDÁTE ZEJMÉNA ZA POUŽÍVÁNÍ PRODUKTU ZPŮSOBEM, KTERÝ NEPORUŠUJE PRÁVA TŘETÍCH STRAN, COŽ ZAHRNÚJE MIMO JINÉ PRÁVO NA OCHRANU OSOBNOSTI, PRÁVO DUŠEVNÍHO VLASTNICTVÍ NEBO PRÁVO NA OCHRANU OSOBNÍCH ÚDAJŮ A DALŠÍ PRÁVA NA OCHRANU SOUKROMÍ. TENTO PRODUKT NESMÍTE POUŽÍVAT K JAKÝMKOLI

NEDOVOLENÝM KONCOVÝM ÚČELŮM VČETNĚ VÝVOJE ČI VÝROBY ZBRANÍ HRADMADNÉHO NIČENÍ, VÝVOJE NEBO VÝROBY CHEMICKÝCH ČI BIOLOGICKÝCH ZBRANÍ NEBO JAKÝCHKOLI ČINNOSTÍ SOUVISEJÍCÍCH S JADERNÝMI VÝBUŠNINAMI NEBO NEBEZPEČNÝM JADERNÝM PALIVOVÝM CYKLEM ČI K PODPOŘE PORUŠOVÁNÍ LIDSKÝCH PRÁV. V PŘÍPADĚ JAKÉHOKOLI ROZPORU MEZI TÍMTO NÁVODEM A PŘÍSLUŠNÝMI ZÁKONY PLATÍ DRUHÉ ZMÍNĚNÉ.

Zákonné informace

Tyto části se vztahují pouze k výrobkům nesoucím odpovídající označení nebo informaci.

Prohlášení o shodě EU

CE Tento výrobek a případně i dodané příslušenství mají označení „CE“, a tudíž splňují požadavky platných harmonizovaných evropských norem uvedených ve směrnici 2014/30/EU (EMCD), směrnici 2014/35/EU (LVD) a směrnici 2011/65/EU (RoHS).

Společnost Hangzhou Hikvision Digital Technology Co., Ltd. tímto prohlašuje, že toto zařízení (viz štítek) je v souladu se směrnicí 2014/53/EU.

Plně znění prohlášení o shodě EU je k dispozici na následující webové adrese: <https://www.hikvision.com/en/support/compliance/declaration-of-conformity>.

Frekvenční pásma a výkon (pro CE)

Frekvenční pásma a jmenovité limity vysílacího výkonu (vyzařovaného anebo vedeného) platné pro následující rádiová zařízení jsou tato:

Wi-Fi 2,4 GHz (2,4 GHz až 2,4835 GHz): 20 dBm.

Pro model s vybavením: DS-2TD*GLT, DS-2TXS*GLT*.

LTE FDD:

Pásmo 1: 1 920 až 1 980 MHz, 23 dBm, třída 3;

Pásmo 3: 1 710 až 1 785 MHz, 23 dBm, třída 3;

Pásmo 5: 824 až 849 MHz, 23 dBm, třída 3;

Pásmo 7: 2 500 až 2 570 MHz, 23 dBm, třída 3;

Pásmo 8: 880 až 915 MHz, 23 dBm, třída 3;

Pásmo 20: 832 až 862 MHz, 23 dBm, třída 3;

Pásmo*28: 703 až 748 MHz, 23 dBm, třída 3.

LTE FDD:

Pásmo 38: 2 570 až 2 620 MHz, 23 dBm, třída 3;

Pásmo 40: 2 300 až 2 400 MHz, 23 dBm, třída 3;

Pásmo 41: 2 555 až 2 655 MHz, 23 dBm, třída 3.

WCDMA:

Pásmo 1: 1 920 až 1 980 MHz, 23,5 dBm, třída 3;

Pásmo 5: 824 až 849 MHz, 23,5 dBm, třída 3;

Pásmo 8: 880 až 915 MHz, 23,5 dBm, třída 3.

Pro model s vybavením: DS-2TD*GLT(JP), DS-2TXS*GLT*(JP).

LTE FDD:

Pásmo 1: 1 920 až 1 980 MHz, 23 dBm, třída 3;

Pásmo 3: 1 710 až 1 785 MHz, 23 dBm, třída 3;

Pásmo 8: 880 až 915 MHz, 23 dBm, třída 3;

Pásmo 11: 1 427,9 až 1 452,9 MHz, 23 dBm, třída 3;

Pásmo 18: 815 až 830 MHz, 23 dBm, třída 3;

Pásmo 19: 830 až 845 MHz, 23 dBm, třída 3;

Pásmo 21: 1 447,9 až 1 462,9 MHz, 23 dBm, třída 3;

Pásmo 26: 814 až 849 MHz, 23 dBm, třída 3;

Pásmo*28: 703 až 748 MHz, 23 dBm, třída 3.

LTE FDD:

Pásmo 41: 2 535 až 2 655 MHz, 23 dBm, třída 3.

WCDMA:

Pásmo 1: 1 920 až 1 980 MHz, 23,5 dBm, třída 3;

Pásmo 6: 832,4 až 837,6 MHz, 23,5 dBm, třída 3;

Pásmo 8: 880 až 915 MHz, 23,5 dBm, třída 3;

Pásmo 19: 830 až 845 MHz, 23,5 dBm, třída 3.

Pro model s vybavením: DS-2TD*GLT(LA), DS-2TXS*GLT*(LA), DS-2TD*GLT(BR), DS-2TXS*GLT*(BR).

LTE FDD:

Pásmo 1: 1 920 až 1 980 MHz, 23 dBm, třída 3;

Pásmo 2: 1 850 až 1 910 MHz, 23 dBm, třída 3;

Pásmo 3: 1 710 až 1 785 MHz, 23 dBm, třída 3;

Pásmo 4: 1 710 až 1 755 MHz, 23 dBm, třída 3;

Pásmo 5: 824 až 849 MHz, 23 dBm, třída 3;

Pásmo 7: 2 500 až 2 570 MHz, 23 dBm,

třída 3;

Pásmo 8: 880 až 915 MHz, 23 dBm, třída 3;

Pásmo 12: 699 až 716 MHz, 23 dBm, třída 3;

Pásmo 17: 704 až 716 MHz, 23 dBm, třída 3;

Pásmo*28: 703 až 748 MHz, 23 dBm, třída 3;

Pásmo 66: 1 710 až 1 780 MHz, 23 dBm, třída 3.

LTE FDD:

Pásmo 38: 2 570 až 2 620 MHz, 23 dBm, třída 3;

Pásmo 40: 2 300 až 2 400 MHz, 23 dBm, třída 3.

WCDMA:

Pásmo 1: 1 920 až 1 980 MHz, 23,5 dBm, třída 3;

Pásmo 2: 1 850 až 1 910 MHz, 23,5 dBm, třída 3;

Pásmo 3: 1 710 až 1 785 MHz, 23,5 dBm, třída 3;

Pásmo 5: 824 až 849 MHz, 23,5 dBm, třída 3;

Pásmo 8: 880 až 915 MHz, 23,5 dBm, třída 3.

GSM/GPRS/EDGE:

Pásmo GSM850: 850 MHz, 32,5 dBm, třída 3;

Pásmo GSM900: 900 MHz, 32,5 dBm, třída 3;

Pásmo DCS1800: 1 800 MHz, 29,5 dBm, třída 3.

U zařízení bez dodaného napájecího adaptéru použijte napájecí adaptér dodaný kvalifikovaným výrobcem. Podrobné požadavky na napájení naleznete ve specifikaci výrobku.

U zařízení bez dodané baterie použijte baterii dodanou kvalifikovaným výrobcem. Podrobné požadavky na baterii naleznete ve specifikaci výrobku.

Varování: Jedná se o zařízení třídy A.

V domácím prostředí může tento výrobek způsobovat rušení rádiového signálu.

V takovém případě může být nutné přijmout odpovídající opatření.



Směrnice 2012/19/EU (OEEZ):

Výrobky označené tímto symbolem nelze v Evropské unii likvidovat společně s netříděným domovním odpadem. Při zakoupení nového

ekvivalentního výrobku tento výrobek řádně zrecykluje vrácením svému místnímu dodavateli, nebo jej zlikvidujte odevzdáním v určených sběrných místech. Další informace naleznete na adrese: www.recyclethis.info.



Směrnice 2006/66/ES a její úprava 2013/56/EU (směrnice o bateriích):

Tento výrobek obsahuje baterii, kterou nelze v Evropské unii likvidovat

společně s netříděným domovním odpadem.

Konkrétní informace o baterii naleznete v dokumentaci výrobku. Baterie je označena tímto symbolem, který může obsahovat písmena značící kadmium (Cd), olovo (Pb) nebo rtuť (Hg). Za účelem řádné recyklace baterii odevzdejte svému dodavateli nebo na určené sběrné místo. Další informace naleznete na adrese: www.recyclethis.info.

Bezpečnostní pokyny

Účelem těchto pokynů je zajistit, aby uživatel mohl výrobek správně používat a zabránilo se nebezpečí nebo újmě na majetku. Před použitím si pečlivě přečtěte všechny bezpečnostní pokyny.

Zákony a předpisy

Zařízení je nutné používat v souladu s místními zákony a předpisy týkajícími se elektrické bezpečnosti a předpisy pro protipožární ochranu.

Přeprava

- Při přepravě uchovávejte zařízení v původním nebo jemu podobném balení.
- Po vybalení uchovávejte veškeré obaly pro budoucí použití. V případě jakékoli poruchy je třeba vrátit zařízení výrobcí v původním obalu.
- Přeprava bez původního obalu může vést k poškození zařízení, za které společnost neponese odpovědnost.
- Produkt nevystavujte fyzickým nárazům a zabraňte jeho spadnutí. Udržujte zařízení mimo dosah magnetického rušení.

Napájení

- Zakupte si nabíječku sami. Vstupní napětí musí dle normy IEC62368 splňovat požadavky na omezený zdroj napájení (12 V stejnosm.). Podrobné informace naleznete v technických údajích.
- Zkontrolujte, zda je zástrčka řádně zapojena do napájecí zásuvky.
- Síťová zásuvka musí být namontována v blízkosti zařízení a musí být snadno přístupná.
- K jednomu napájecímu adaptéru NEPŘIPOJUJTE více zařízení, abyste zabránili přehřátí nebo nebezpečí požáru v důsledku přetížení.
- Po vypnutí jističe se NEDOTÝKEJTE obnažených kovových kontaktů vstupů. Stále jsou pod proudem.
- + označuje kladnou svorku zařízení, která se používá se stejnosměrným proudem nebo jej generuje. - označuje zápornou svorku zařízení, která se používá se stejnosměrným proudem nebo jej generuje.

● Při připojení ke zdroji střídavého proudu zajistěte správné zapojení svorek.

Baterie

● Při výměně baterie za nesprávný typ hrozí nebezpečí výbuchu. Použité baterie zlikvidujte podle pokynů.

● Vestavěnou baterii nelze rozebírat. Je-li třeba ji opravit, obraťte se na výrobce.

● Při dlouhodobém skladování baterii každého půl roku plně nabijte, abyste zajistili zachování její kvality. V opačném případě může dojít k jejímu poškození.

● Toto zařízení není vhodné pro použití v místech, na kterých se mohou vyskytovat děti.

● Vyměňte-li baterii za nesprávný typ, může dojít k poškození bezpečnostního prvku (například v případě některých typů lithiových baterií).

● Nevhazujte do ohně, nekládejte do horké trouby, mechanicky ji nedrťte ani neřezejte. Mohlo by dojít k výbuchu.

● Neopouštějte baterii v prostředí s extrémně vysokou teplotou, protože by mohlo dojít k výbuchu nebo úniku hořlavé kapaliny nebo plynu.

● Nevystavujte baterii extrémně nízkému tlaku vzduchu, protože by mohlo dojít k výbuchu nebo úniku hořlavé kapaliny nebo plynu.

Osvětlení (je-li podporováno)



UPOZORNĚNÍ: Tento výrobek může vyzařovat nebezpečné optické záření.

NEDÍVEJTE se do zapnutého světla. Může být pro oči škodlivé. Při sestavení, montáži nebo údržbě kamery noste vhodnou ochranu očí nebo **NEZAPÍNEJTE** bílé světlo.

Montáž

● Zařízení nikdy neumísťujte na nestabilní místo. Zařízení může spadnout a způsobit vážné zranění nebo smrt.

● Toto zařízení je určeno k používání pouze s odpovídajícími držáky. Při použití jiného vybavení (vozíků, stojanů nebo nosičů) může být instalace nestabilní a může dojít ke zranění.

Zabezpečení systému

● Berete na vědomí, že internet svou podstatou představuje skrytá bezpečnostní rizika a naše společnost proto nepřebírá žádnou odpovědnost za nestandardní provozní chování, únik osobních údajů nebo jiné škody vyplývající z kybernetického či hackerského útoku; naše společnost však

v případě potřeby poskytne včasnou technickou podporu.

● Zajistěte ochranu osobních údajů a zabezpečení dat, protože se zařízení během připojení k internetu může potýkat s problémy se zabezpečením sítě. Obráťte se na nás, pokud se vyskytnou problémy se zabezpečením sítě nebezpečně pro zařízení.

● Mějte na paměti, že jste odpovědní za konfiguraci všech hesel a dalších nastavení zabezpečení zařízení a uchovejte uživatelské jméno a heslo.

Údržba

● V případě, že výrobek nefunguje správně, obraťte se na prodejce nebo na nejbližší servisní středisko. Nepřebíráme žádnou odpovědnost za problémy způsobené neoprávněnou opravou nebo údržbou.

● Některé z komponent zařízení (např. elektrolytický kondenzátor) je nutné pravidelně vyměňovat. Průměrná doba životnosti se liší, doporučujeme proto pravidelné kontroly. Podrobnosti vám poskytne prodejce.

● V případě potřeby zařízení jemně otřete čistým hadříkem navlhčeným malým množstvím etanolu.

● V případě použití zařízení způsobem jiným než určeným výrobcem může dojít ke zrušení platnosti záruky.

● Pojistku vyměňte pouze za pojistku stejného typu a se stejným jmenovitým proudem, abyste omezili nebezpečí požáru.

● Sériový port zařízení se používá pouze k ladění.

● Při provádění servisu musí být zdroj napájení odpojen.

Provozní prostředí

● Zajistěte, aby provozní prostředí vyhovovalo požadavkům zařízení. Provozní teplota musí být -40 °C až 65 °C a provozní vlhkost musí být 5 % až 95 % bez kondenzace.


● **NEVYSTAVUJTE** zařízení silnému elektromagnetickému záření ani prašnému prostředí.

● **NEMÍRTE** objektivem do slunce ani do jiného zdroje jasného světla.

● Zařízení nesmí být vystaveno kapající nebo stříkající vodě a nesmí se na něj pokládat předměty s tekutinami, jako jsou vázy.

● Na zařízení se nesmí pokládat zdroje otevřeného ohně jako například hořící svíčky.

● Ve speciálních podmínkách, jako je na vrcholcích hor, na kovové věži nebo v lese namontujte do vstupního otvoru zařízení přepětovou ochranu.

- 
 PÅ PÅ MANIPULACI S DILY OZNAČENÝMI symbolem si můžete popálit prsty. Než budete s díly manipulovat, vyčkejte po vypnutí zařízení půl hodiny.

Stav nouze

- Pokud ze zařízení vychází kouř, zápach nebo hluk, zařízení okamžitě vypněte, odpojte napájecí kabel a obraťte se na servisní středisko.

Adresa výrobce

No. 555 Qianmo Road, Binjiang District, Hangzhou 310052, Čína
Hangzhou Hikvision Digital Technology Co.,

Ltd.

POZNÁMKA O DODRŽOVÁNÍ PŘEDPISŮ: Na výroby termální řady se mohou vztahovat vývozní opatření v různých zemích nebo regionech včetně, mimo jiné, Spojených států, Evropské unie, Spojeného království a dalších členských států Wassenaarského ujednání. Máte-li v úmyslu přenášet, exportovat nebo opětovně exportovat výrobky termální řady mezi různými zeměmi, obraťte se na profesionálního právníka, odborníka v oblasti dodržování předpisů nebo místní úřady, aby vám sdělili všechny nezbytné licenční požadavky pro export.

Dansk



Produktudsendet er kun til reference og kan variere fra det faktiske produkt.

Udsende (side 1 – A)

Komponent og kabel

Nr.	Komponenter og grænseflade
1	Kamera
2	Fotovoltaisk solpanel
3	Tilslutningsbeslag
4	Lydindgang, lydudgang
5	Alarmindgang x 2, alarmudgang x 2
6	Netværkskabel
7	RS-485, strømkabel

Installation af kamerasæt (side 1 – B)

Trin:

- Montér kameraet på tilslutningsbeslaget.
 - Løsn og fjern skruerne på siden af beslaget for at adskille bunden.
 - Fastgør bunden til bunden af kameraet med to HSF UNC1-4-20X12-skruer.
 - Flugt hullerne på bunden med hullerne på beslaget, og fastgør bunden til beslaget med de tidligere fjernede skruer.
- Før de længere kabler såsom strømkablet og RS-485-kablet gennem tilslutningsbeslaget, og vikl andre kabler ind med vandtæt tape til forsegling.
- Installer batteriet i det fotovoltaiske solpanel.

Bemærk: Solbatteriet medfølger ikke i pakken. Den skal købes separat.

- Installer tilslutningsbeslaget på væggen. Før RS-485- og strømkablet gennem hullerne på skiftepanelet, flugt hullet på tilslutningsbeslaget med hullet på skiftepanelet, og stram skruerne for at

fastgøre dem.

- Løsn og fjern skruerne for at adskille dækslet til ledningsboksen.
- Før solpanelets udgangskabel og batteriets udgangskabel gennem hullerne på ledningsboksen, og før strømkablet og RS-485-kablet på kameraet gennem hullerne på skiftepanelet og ledningsboksen. Tilslut kablerne, og stram skruerne for at montere dækslet til ledningsboksen.

Bemærk: Vikl leddets position ind med vandtæt tape til forsegling.

- Vælg en passende højde for at installere sættet. Tag det lodrette beslag til montering på stang, pakken med skruer til montering og monteringsstangen ud. Før fire M12 bolte gennem installationshullerne på det lodrette beslag til montering på stang og monteringsstangen, og stram hver bolt med en flad pakning og to møtrikker.
- Hægt sættet på det lodrette beslag til montering på stang, og fastgør sættet med de flade pakninger, fjederskiverne og møtrikkerne.
- Sno sikkerhedsrebet rundt om den lodrette stang, og spænd låsespændet fast på sikkerhedsrebet.
- Juster vinklerne på det fotovoltaiske solpanel og kameraet.

Installation af et enkelt kamera (side 6 – C)

Montering på væg (side 6 – C.1)

Trin:

- Løsn og fjern skruerne på siden af beslaget for at adskille bunden, og fastgør bunden til bunden af kameraet med to UNC1-4-skruer.
- Flugt hullerne på bunden med hullerne på beslaget, og fastgør bunden til beslaget med de tidligere fjernede skruer.

- Bor fire huller i væggen i henhold til boreskabelonen.
- Fastgør kameraet på væggen med ekspansionsbolte, pakninger og møtrikker.
- Løsn skruerne på leddet for at justere kameraets hældningsvinkel, og løsn skruerne nederst på bunden for at justere kameraets panoreringsvinkel. Spænd skruerne efter justeringen.

Montering på stang (side 7 – C.2)

- Løsn og fjern skruerne på siden af beslaget for at adskille bunden, og fastgør bunden til bunden af kameraet med to UNC1-4-skruer.
- Flugt hullerne på bunden med hullerne på beslaget, og fastgør bunden til beslaget med de tidligere fjernede skruer.
- Før beslaget til montering på stang med tre tøndebånd med lynkobling, og fastgør beslaget på stangen.
- Fastgør kameraet på beslaget til montering på stang med fire M4 skruer.
- Løsn skruerne på leddet for at justere kameraets hældningsvinkel, og løsn skruerne nederst på bunden for at justere kameraets panoreringsvinkel. Spænd skruerne efter justeringen.

Vandtæt metode (side 8)

- Monter vandtæt hætte på netværkskabel (side 8 – D).
- Brug medfølgende vandtætte tape til at beskytte kabelstik og ubrugte kabler (side 8 – E).

Beskyttelsesforanstaltninger (side 9 – F – 1)**Aktivér, og få adgang til enheden (side 9 – F – 2)****Brugervejledning****Lovgivningsmæssig overensstemmelse og sikkerhedsoplysninger**

Læs alle oplysninger og instrukser i dette dokument omhyggeligt, inden du tager enheden i brug, og gem dokumentet som reference.

Besøg vores websted på <https://www.hikvision.com> for yderligere oplysninger og instrukser vedr. enheden. Du kan også læse evt. andre dokumenter, der

leveres med enheden, eller scanne en evt. QR-kode på emballagen for yderligere oplysninger.

Juridiske oplysninger**ANSVARSRFRASKRIVELSE**

VEJLEDNINGEN OG DET HERI BESKREVNE PRODUKT, INKL. HARDWARE, SOFTWARE OG FIRMWARE, LEVERES I STØRST MULIGT OMFANG, DER ER TILLADT VED LOV, "SOM DET ER OG FOREFINDES" OG "MED ALLE DEFEKTER OG FEJL". HIKVISION UDSTEDER INGEN GARANTIER, UDTRYKKELIGE ELLER UNDERFORSTÅEDE, INKL. UDEN BEGRÆNSNING, VEDRØRENDE SALGBARHED, TILFREDSSTILLENDENDE KVALITET ELLER EGNETHED TIL ET BESTEMT FORMÅL. DIN BRUG AF PRODUKTET SKER PÅ DIN EGEN RISIKO. UNDER INGEN OMSTÆNDIGHEDER ER HIKVISION ANSVARLIG OVER FOR DIG FOR SÆRLIGE SKADER, HÆNDELIGE SKADER, FØLGESKADER ELLER INDIREKTE SKADER, INKL. B.L.A., SKADER SOM FØLGE AF DRIFTSTAB, DRIFTSFORSTYRRELSER ELLER TAB AF DATA, BESKADIGELSE AF SYSTEMER ELLER TAB AF DOKUMENTATION, UANSET OM DET ER BASERET PÅ KONTRAKTBRUD, SKADEVOLDENDE HANDLINGER (HERUNDER UAGTSOMHED), PRODUKTANSVAR ELLER PÅ ANDEN MÅDE I FORBINDELSE MED BRUGEN AF PRODUKTET, SELVOM HIKVISION ER BLEVET UNDERRETTET OM MULIGHEDEN FOR SÅDANNE SKADER.

DU ANERKENDER, AT INTERNETTET INDEHOLDER INDBYGGEDE SIKKERHEDSRISICI. HIKVISION PÅTAGER SIG INTET ANSVAR FOR UNORMAL DRIFT, LÆKAGE AF PERSONLIGE OPLYSNINGER ELLER ANDRE SKADER SOM FØLGE AF CYBERANGREB, HACKERANGREB, VIRUSANGREB ELLER ANDRE INTERNETSikkerhedsrisici. HIKVISION VIL DOG YDE EVENTUEL NØDVENDIG OG RETTIDIG TEKNISK BISTAND.


DU ERKLÆRER DIG INDFORSTÅET MED AT BRUGE PRODUKTET I OVERENSSTEMMELSE MED ALLE GÆLDENDE LOVE, OG DU ER ENEANSVARLIG FOR AT SIKRE, AT DIN BRUG OVERHOLDER AL GÆLDENDE LOVGIVNING. DU ER ISÆR ANSVARLIG FOR AT BRUGE PRODUKTET PÅ EN MÅDE, DER IKKE KRÆNKER TREDJEPARTERS RETTIGHEDER, HERUNDER, UDEN BEGRÆNSNINGER, RETTIGHEDER VEDRØRENDE OFFENTLIG OMTALE, INTELLEKTUELLE EJDOMSRETTIGHEDER ELLER

RETTIGHEDER VEDRØRENDE
 DATABESKYTTELSE OG ANDRE
 RETTIGHEDER VEDRØRENDE PERSONLIGE
 OPLYSNINGER. DU MÅ IKKE BRUGE
 PRODUKTET TIL FORBUDTE
 SLUTANVENDELSER, HERUNDER UDVIKLING
 ELLER FREMSTILLING AF
 MASSEØDELÆGGELSESVÅBEN, UDVIKLING
 ELLER PRODUKTION AF KEMISKE ELLER
 BIOLOGISKE VÅBEN, AKTIVITETER I DEN
 KONTEKST, DER ER KNYTTET TIL
 ATOMBOMBER ELLER USIKKERT
 REAKTORBRÆNDSEL, ELLER SOM STØTTE
 TIL OVERTRÆDELSE AF
 MENNESKERETTIGHEDER.
 I TILFÆLDE AF UOVERENSSTEMMELSE
 MELLEM VEJLEDNINGEN OG GÆLDENDE
 LOVGIVNING GÆLDER SIDSTNÆVNTE.

Lovgivningsmæssige oplysninger

Disse bestemmelser gælder kun for produkter, der er forsynet med det relevante mærke eller oplysninger.

Erklæring om overensstemmelse med EU

 Produktet og eventuelt medfølgende tilbehør er mærket "CE" og opfylder derfor gældende harmoniserede europæiske standarder anført i EU-direktiv 2014/30/EU (EMCD), EU-direktiv 2014/35/EU (LVD) og EU-direktiv 2011/65/EU (RoHS).

Hermed erklærer Hangzhou Hikvision Digital Technology Co., Ltd., at enheden (se mærkaten) er i overensstemmelse med EU-direktiv 2014/53/EU.

Den fulde ordlyd af EU-overensstemmelseserklæringen kan findes på følgende internetadresse:
<https://www.hikvision.com/en/support/compliance/declaration-of-conformity>.

Frekvensbånd og strøm (for CE)

De nominelle grænser for frekvensbånd og sendeeffekt (udstrålet og/eller ledt) for dette radioudstyr er som følger:

Wi-Fi 2,4 GHz (2,4-2,4835 GHz): 20 dBm.

For udstyr, model: DS-2TD*GLT, DS-2TXS*GLT*.

LTE FDD:

Bånd 1: 1.920-1.980 MHz, 23 dBm, klasse 3;
 Bånd 3: 1.710-1.785 MHz, 23 dBm, klasse 3;
 Bånd 5: 824-849 MHz, 23 dBm, klasse 3;
 Bånd 7: 2.500-2.570 MHz, 23 dBm, klasse 3;
 Bånd 8: 880-915 MHz, 23 dBm, klasse 3;
 Bånd 20: 832-862 MHz, 23 dBm, klasse 3;

Bånd 28: 703-748 MHz, 23 dBm, klasse 3.

LTE TDD:

Bånd 38: 2.570-2.620 MHz, 23 dBm, klasse 3;
 Bånd 40: 2.300-2.400 MHz, 23 dBm, klasse 3;
 Bånd 41: 2.555-2.655 MHz, 23 dBm, klasse 3.
 WCDMA:

Bånd 1: 1.920-1.980 MHz, 23,5 dBm, klasse 3;
 Bånd 5: 824-849 MHz, 23,5 dBm, klasse 3;
 Bånd 8: 880-915 MHz, 23,5 dBm, klasse 3.

For udstyr, model: DS-2TD*GLT(JP), DS-2TXS*GLT*(JP).

LTE FDD:

Bånd 1: 1.920-1.980 MHz, 23 dBm, klasse 3;
 Bånd 3: 1.710-1.785 MHz, 23 dBm, klasse 3;
 Bånd 8: 880-915 MHz, 23 dBm, klasse 3;
 Bånd 11: 1.427,9-1.452,9 MHz, 23 dBm, klasse 3;

Bånd 18: 815-830 MHz, 23 dBm, klasse 3;
 Bånd 19: 830-845 MHz, 23 dBm, klasse 3;
 Bånd 21: 1.447,9-1.462,9 MHz, 23 dBm, klasse 3;

Bånd 26: 814-849 MHz, 23 dBm, klasse 3;
 Bånd 28: 703-748 MHz, 23 dBm, klasse 3.

LTE TDD:

Bånd 41: 2.535-2.655 MHz, 23 dBm, klasse 3.
 WCDMA:

Bånd 1: 1.920-1.980 MHz, 23,5 dBm, klasse 3;
 Bånd 6: 832,4-837,6 MHz, 23,5 dBm, klasse 3;
 Bånd 8: 880-915 MHz, 23,5 dBm, klasse 3;
 Bånd 19: 830-845 MHz, 23,5 dBm, klasse 3.

For udstyr, model: DS-2TD*GLT(LA), DS-2TXS*GLT*(LA), DS-2TD*GLT(BR), DS-2TXS*GLT*(BR).

LTE FDD:

Bånd 1: 1.920-1.980 MHz, 23 dBm, klasse 3;
 Bånd 2: 1.850-1.910 MHz, 23 dBm, klasse 3;
 Bånd 3: 1.710-1.785 MHz, 23 dBm, klasse 3;
 Bånd 4: 1.710-1.755 MHz, 23 dBm, klasse 3;
 Bånd 5: 824-849 MHz, 23 dBm, klasse 3;
 Bånd 7: 2.500-2.570 MHz, 23 dBm, klasse 3;
 Bånd 8: 880-915 MHz, 23 dBm, klasse 3;
 Bånd 12: 699-716 MHz, 23 dBm, klasse 3;
 Bånd 17: 704-716 MHz, 23 dBm, klasse 3;
 Bånd 28: 703-748 MHz, 23 dBm, klasse 3;
 Bånd 66: 1.710-1.780 MHz, 23 dBm, klasse 3.

LTE TDD:

Bånd 38: 2.570-2.620 MHz, 23 dBm, klasse 3;
 Bånd 40: 2.300-2.400 MHz, 23 dBm, klasse 3.
 WCDMA:

Bånd 1: 1.920-1.980 MHz, 23,5 dBm, klasse 3;

Bånd 2: 1.850-1.910 MHz, 23,5 dBm, klasse 3;
 Bånd 3: 1.710-1.785 MHz, 23,5 dBm, klasse 3;
 Bånd 5: 824-849 MHz, 23,5 dBm, klasse 3;
 Bånd 8: 880-915 MHz, 23,5 dBm, klasse 3.

GSM/GPRS/EDGE:

Bånd GSM850: 850 MHz, 32,5 dBm, klasse 3;
 Bånd GSM900: 900 MHz, 32,5 dBm, klasse 3;
 Bånd DCS1800: 1.800 MHz, 29,5 dBm, klasse 3.

For enheder uden medfølgende strømadapter skal du bruge en strømadapter fra en kvalificeret producent. Se de nærmere krav til strømforstyrrelse i produktspecifikationerne.

For enheder uden et medfølgende batteri skal du bruge batterier fra en kvalificeret producent. Se de nærmere krav til batterier i produktspecifikationen.

Advarsel: Dette er et klasse A-produkt. Under anvendelse i boliger kan produktet forårsage radiointerferens, og brugeren kan blive nødt til at træffe passende foranstaltninger.



2012/19/EU (WEEE-direktivet): Produkter, der er mærket med dette symbol, kan ikke bortskaffes som almindeligt husholdningsaffald i EU.

Med henblik på korrekt genbrug skal du aflevere produktet til din lokale leverandør ved køb af tilsvarende nyt udstyr eller aflevere det på et dertil indrettet indleveringssted. For yderligere oplysninger se: www.recyclethis.info.



2006/66/EF som ændret ved 2013/56/EU (batteridirektivet): Dette produkt indeholder et batteri, som ikke kan bortskaffes sammen med

almindeligt husholdningsaffald i EU. Find specifikke oplysninger om batteriet i produktokumentationen. Batteriet er mærket med dette symbol, som kan indeholde bogstaver, der indikerer indhold af kadmium (Cd), bly (Pb) eller kviksølv (Hg). Med henblik på korrekt genbrug skal du aflevere batteriet til din leverandør eller til et dertil indrettet indleveringssted. For yderligere oplysninger se: www.recyclethis.info.

Sikkerhedsanvisninger

Disse anvisninger skal sikre, at brugeren kan anvende produktet korrekt og undgå fare eller tab af ejendom. Læs alle sikkerhedsanvisninger omhyggeligt inden ibrugtagning.

Love og bestemmelser

Enheden skal anvendes i overensstemmelse med lokale love, sikkerhedsbestemmelser for elnettilslutning og brandforebyggelse.

Transport

- Opbevar enheden i den oprindelige eller en lignende emballage, når den skal transporteres.
- Gem al emballage efter udpakningen til senere brug. Du skal bruge den originale emballage til at returnere enheden til fabrikken, hvis der opstår fejl.
- Transport uden den originale emballage kan medføre skade på enheden, og virksomheden tager intet ansvar derfor.
- Tab ikke produktet, og udsæt det ikke for fysiske stød. Hold enheden væk fra magnetisk forstyrrelse.

Strømforsyning

- Du skal selv købe en oplader. Indgangsspænding skal overholde LPS (Limited Power Source) (12 V jævnstrøm) iht. standarden IEC62368. Du kan finde nærmere oplysninger i de tekniske specifikationer.
- Kontrollér, at stikket er sat godt i stikkontakten.
- Stikkontakten skal være installeret i nærheden af udstyret og være nemt tilgængelig.
- Slut IKKE flere enheder til én strømadapter for at undgå overhedning eller brandfare som følge af overbelastning.
- Rør IKKE ved de blottede metalkontakter på indgangene, når afbryderen er slukket. Der er fortsat elektricitet til stede.
- + identificerer de positive terminaler på udstyret, der bruges sammen med eller genererer jævnstrøm. - identificerer de negative terminaler på udstyret, der bruges sammen med eller genererer jævnstrøm.
- Sørg for korrekt kabelføring af terminalerne for tilslutning til en strømforsyning med vekselstrøm.

Batteri

- Der er eksplosionsfare, hvis batteriet udskiftes med en forkert type. Bortskaf brugte batterier i henhold til anvisningerne.
- Det indbyggede batteri kan ikke demonteres. Kontakt producenten, hvis du har brug for en reparation.
- Hvis batteriet skal opbevares i en længere periode, skal du sikre, at det oplades fuldt hvert halve år for at bevare batteriets ydeevne. Ellers kan der opstå skade.
- Udstyret er ikke egnet til brug på steder, hvor det er sandsynligt, at børn er til stede.
- Udskiftning af batteriet med et batteri af forkert type kan sætte en sikkerhedsforanstaltning ud af kraft (gælder fx

for visse litium-batterityper).

- Bortskaf IKKE batteriet i åben ild eller en varm ovn. Knus ikke, og skær ikke i batteriet, da dette kan forårsage en eksplosion.
- Efterlad IKKE batteriet i omgivelser med ekstremt høje temperaturer, da det kan medføre en eksplosion eller lækage af brandfarlig væske eller luftart.
- Udsæt IKKE batteriet for omgivelser med ekstremt lavt lufttryk, da det kan medføre en eksplosion eller lækage af brandfarlig væske eller luftart.

Lysilluminator (hvis understøttet)



FORSIGTIG: Mulig farlig optisk stråling fra dette produkt. UNDLAD at stirre ind i den tændte lampe. Kan være skadelig for øjnene. Bær passende øjenbeskyttelse eller UNDLAD at tænde det hvide lys, når du samler, installerer eller vedligeholder kameraet.

Installation

- Anbring aldrig udstyret på et usikkert underlag. Udstyret kan vælte og forårsage alvorlig personskade eller død.
- Brug kun udstyret sammen med de tilsvarende beslag. Brug af andet (arbejdsvoгне, stativer eller støtter) kan medføre ustabilitet og forårsage personskade.

Systemikkerhed

- Du anerkender, at internettet indeholder indbyggede sikkerhedsrisici. Vores virksomhed påtager sig intet ansvar for unormal drift, lækage af personlige oplysninger eller andre skader som følge af cyberangreb eller hackerangreb. Vores virksomhed vil dog yde nødvendig rettidig teknisk bistand.
- Sørg for at aktivere beskyttelse af personoplysninger og datasikkerhed, da enheden kan blive udsat for netværkssikkerhedsproblemer, når den tilsluttes internettet. Kontakt os, hvis der opstår netværkssikkerhedsrisici.
- Du skal være bevidst om, at du har ansvar for at konfigurere alle adgangskoder og andre sikkerhedsindstillinger vedrørende enheden og at opbevare dit brugernavn og din adgangskode et sikkert sted.

Vedligeholdelse

- Hvis produktet ikke virker korrekt, skal du kontakte din forhandler eller dit nærmeste servicecenter. Vi påtager os intet ansvar for problemer, der er forårsaget af uautoriseret reparation eller vedligeholdelse.

- Der er få enhedsdele (fx elektrolytkondensator), der skal udskiftes regelmæssigt. Den gennemsnitlige levetid varierer. Derfor er det nødvendigt at udføre regelmæssig kontrol. Kontakt din forhandler for nærmere oplysninger.
- Tør enheden forsigtigt af med en ren klud og en lille mængde ætanol, hvis det er nødvendigt.
- Hvis udstyret bruges på en måde, der ikke er angivet af producenten, kan den beskyttelse, der enheden giver, blive forringet.
- Udskift kun med en sikring af samme type og effekt for at reducere risikoen for brand.
- Den serielle port på udstyret bruges kun til fejlfinding.
- Afbryd strømkilden under udførelse af service.

Driftsmiljø

- Kontrollér, at driftsmiljøet opfylder enhedens krav. Driftstemperaturen skal ligge mellem -40 °C og 65 °C, og luftfugtigheden skal ligge mellem 5 % og 95 %, uden kondens.
- Enheden må IKKE udsættes for kraftig elektromagnetisk stråling eller støvfylde miljøer.
- Objektivt må IKKE rettes mod solen eller et stærkt lys.
- Udsæt ikke udstyret for dryp eller sprøjt, og placér ikke genstande med væske, såsom vaser, oven på udstyret.
- Placér ikke kilder med åben ild, såsom et tændt stearinlys, oven på udstyret.
- Installér en spændingsdæmper ved udstyrets indgangsåbning under særlige forhold som f.eks. bjergtop, jerntårn og skov.



- Risiko for forbrænding på fingrene ved håndtering af dele med symbolet. Vent 30 minutter, efter at udstyret er slukket, før delene håndteres.

Nødsituation

- Hvis enheden afgiver røg, lugt eller støj, skal du straks slukke for strømmen og trække strømkablet ud. Kontakt derefter servicecenteret.

Producentens adresse

No. 555 Qianmo Vej, Binjiang Distrikt,
Hangzhou 310052, Kina
Hangzhou Hikvision Digital Technology Co.,
Ltd.

MEDDELELSE OM OVERENSSTEMMELSE:
Produkterne i den termografiske serie kan være underlagt eksportkontrol i forskellige

lande eller områder, herunder, uden begrænsning, USA, EU, Storbritannien og/eller andre medlemslande i Wassenaar-aftalen. Kontakt din professionelle juraekspert, ekspert i overensstemmelse eller de lokale offentlige

myndigheder for at få oplysninger om kravene for eksportlicens, hvis du har til hensigt at overføre, eksportere eller geneksportere enheder i den termiske serie mellem forskellige lande.

Magyar



A termék megjelenése csak tájékoztató jellegű, és eltérhet a tényleges terméktől.

Megjelenés (1 – A oldal)

Alkatrész és kábel

Sz.	A készülék részei és csatlakozói
1	Kamera
2	Fényelektromos napelem
3	Csatlakozókonzol
4	Hangbemenet, hangkimenet
5	2 x riasztásbemenet, 2 x riasztáskimenet
6	Hálózati kábel
7	RS-485, tápkábel

Kameratelepítő készlet (1 – B oldal)

Lépések:

1. Szerelje a kamerát a csatlakozókonzolra.
1. Lazítsa meg és távolítsa el a csavarokat a konzol oldalán a talp leszereléséhez.
- 2) rögzítse a talpat a kamera aljához két HSF UNC1-4-20X12 csavarral.
- 3) A talp lyukait igazítsa a konzol lyukaihoz, és rögzítse a talpat a konzolhoz a korábban eltávolított csavarokkal.
2. A hosszabb kábeleket (pl., a tápkábelt és az RS-485 kábelt) vezesse keresztül a csatlakozókonzolon, a többi kábelt pedig tekerje körül vízhatlan szigetelőszalaggal.
3. Helyezze be az akkumulátort a fényelektromos napelembe.

Megjegyzés: A napelem akkumulátora nem része a csomagnak. Kérjük, vásárolja meg külön.

4. A csatlakozókonzolt szerelje a napelemre. Az RS-485-as kábelt és a tápkábelt vezesse keresztül a csúszópanel lyukain, a csatlakozókonzol lyukát igazítsa a csúszópanel lyukához, és a csavarokat meghúzza rögzítse őket.
5. Lazítsa meg és távolítsa el a csavarokat a vezetékdoz fedelének levételéhez.
6. A napelem kimeneti kábelét és az akkumulátor kimeneti kábelét vezesse át a vezetékdoz lyukain, a tápkábelt és az RS-485-ös kábelt pedig vezesse át a

csúszópanel és a vezetékdoz lyukain. Csatlakoztassa a kábeleket, és a csavarokat meghúzza rögzítse a vezetékdoz fedelét.

Megjegyzés: A csatlakozási pontot tekerje körbe vízhatlan szigetelőszalaggal.

7. Válasszon egy megfelelő magasságot a készlet telepítéséhez. Vegye elő a függőleges póznát, a csavarcsomagot és a rögzítőrudat, csavarozza össze a függőleges pózna és a szerelőrúd furatait négy M12-es csavarral, és húzzon meg minden csavar lapos tömítésekkel és két anyával.
8. Akassza a készletet a függőleges pózna konzolára, és rögzítse a készletet lapos tömítésekkel, rugós alátétekkel és anyákkal.
9. A biztonsági kötelet tekerje a függőleges pózna köré, és a zárszerkezetet csatolja a biztonsági kötélre.
10. Állítsa be a napelem és a kamera szögét.

Az egyedi kamera telepítése (6 – C oldal)

Fali szerelés (6 – C.1 oldal)

Lépések:

1. Lazítsa meg és távolítsa el a csavarokat a konzol oldalán a talp leszereléséhez, majd rögzítse a talpat a kamera aljához két UNC1-4 csavarral.
2. A talp lyukait igazítsa a konzol lyukaihoz, és rögzítse a talpat a konzolhoz a korábban eltávolított csavarokkal.
3. Fúrjon négy lyukat a falba a fúrósablon alapján.
4. Rögzítse a kamerát a falhoz terpesztőcsavarokkal, tömítésekkel és anyákkal.
5. A kamera dőlésszögének beállításához lazítsa meg a csavarokat a csatlakozásnál, a kamera páasztázási szögének beállításához pedig lazítsa meg a csavarokat a talp alján. A beállítás után húzza meg a csavarokat.

Póznás szerelés (7 – C.2 oldal)

1. Lazítsa meg és távolítsa el a csavarokat a konzol oldalán a talp leszereléséhez, majd rögzítse a talpat a kamera aljához két UNC1-4 csavarral.
2. A talp lyukait igazítsa a konzol lyukaihoz, és

rögzítse a talpat a konzolhoz a korábban eltávolított csavarokkal.

3. Fűzzön a pózna konzolába három gyorsbilincset, és rögzítse a konzolt a póznára.
4. Rögzítse a kamerát a pózna konzolához négy M4-es csavarral.
5. A kamera dőlésszögének beállításához lazítsa meg a csavarokat a csatlakozásnál, a kamera páasztázási szögének beállításához pedig lazítsa meg a csavarokat a talp alján. A beállítás után húzza meg a csavarokat.

Vízhatlan módszer (8. oldal)

1. Helyezze fel a vízhatlan hálózati kábelborítást (8 – D oldal).
2. Használja a mellékelt vízhatlan szigetelőszalagot a kábelcsatlakozók és a fel nem használt kábelek védelméhez (8 – E oldal).

Óvintézkedések (9 – F – 1 oldal)

Az eszköz aktiválása és elérése

(9 – F – 2 oldal)

Felhasználói kézikönyv



Jogszabályi megfelelés és biztonsági információk

A készülék használata előtt figyelmesen olvassa el a jelen dokumentumban található összes információt és utasítást, és őrizze meg őket, mert később is szüksége lehet rájuk.

A készülékkel kapcsolatos további információkért és utasításokért kérjük, látogasson el weboldalunkra a <https://www.hikvision.com> címen. További információkat kaphat a készülékhez mellékelt egyéb dokumentumokból is (ha vannak ilyenek), vagy ha beolvassa a csomagoláson található QR-kódot (ha van ilyen).

Jogi információk

FELELŐSÉGGKIZÁRÁS

EZT A KÉZIKÖNYVET, VALAMINT A BENNE SZEREPLŐ TERMÉKET ANNAK HARDVER-, SZOFTVER-ÖSSZETEVŐIVEL ÉS FIRMWARE-ÉVEL EGYÜTT „EREDETI FORMÁBAN” BIZTOSÍTJUK, „BELEÉRTVE AZOK ÖSSZES ESETLEGES HIBÁJÁT”. A

HIKVISION NEM VÁLLAL SEM KIFEJEZETT, SEM TÖRVÉNY ÁLTAL VÉDELMEZETT JÓTÁLLAST, TÖBBEK KÖZÖTT – DE NEM KORLÁTOZVA – A TERMÉK ÉRTÉKESÍTHETŐSÉGÉRE, MEGFELELŐ MINŐSÉGÉRE, VALAMINT ADOTT CÉLRA VALÓ ALKALMASSÁGÁRA. A TERMÉKET KIZÁRÓLAG SAJÁT FELELŐSSÉGÉRE HASZNÁLHATJA. A HIKVISION SEMMILYEN ESETBEN SEM VÁLLAL FELELŐSÉGET ÖN FELÉ SEMMILYEN KÜLÖNLEGES, KÖVETKEZMÉNYES, JÁRULÉKOS VAGY KÖZVETETT KÁRÉRT, BELEÉRTVE TÖBBEK KÖZÖTT A TERMÉK HASZNÁLATÁVAL ÖSSZEFÜGGÉSBE AZ ÜZLETI HASZON ELVESZTÉSÉBŐL, AZ ÜZLETMENET MEGSZAKADÁSÁBÓL, VALAMINT AZ ADATOK VAGY DOKUMENTUMOK ELVESZTÉSÉBŐL EREDŐ KÁROKAT, TÖRTÉNJEN KÉZ SZERZŐDÉSSZEGÉS VAGY KÉRKÖZÁS (BELEÉRTVE A GONDATLANSÁGOT) EREDMÉNYEKÉNT, MÉG AKKOR SEM, HA A HIKVISION VÁLLALATOT TÁJÉKOZTATTÁK AZ ILYEN KÁROK BEKÖVETKEZÉSÉNEK LEHETŐSÉGÉRŐL.

ÖN TUDOMÁSUL VESZI, HOGY AZ INTERNET TERMÉSZETÉBŐL FAKADÓAN REJT KOCKÁZATOKAT, ÉS A HIKVISION SEMMILYEN FELELŐSÉGET NEM VÁLLAL A RENDELLENES MŰKÖDÉSÉRT, A SZEMÉLYES ADATOK KISZIVÁRGÁSÁÉRT VAGY MÁS OLYAN KÁRÉRT, AMELYEKET KIBERTÁMADÁSOK, HACKERTÁMADÁSOK, VÍRUSFERTŐZÉSEK VAGY MÁS INTERNETES BIZTONSÁGI VESZÉLYEK OKOZTAK; A HIKVISION AZONBAN KÉRÉSRE IDŐBEN MŰSZAKI TÁMOGATÁST NYÚJT.

ÖN ELFOGADJA, HOGY EZT A TERMÉKET KIZÁRÓLAG A VONATKOZÓ TÖRVÉNYI ELŐÍRÁSOK BETARTÁSÁVAL HASZNÁLJA, ÉS HOGY A VONATKOZÓ TÖRVÉNYEKNEK MEGFELELŐ HASZNÁLAT KIZÁRÓLAG AZ ÖN FELELŐSÉGE. KÜLÖNÖSKÉPPEN AZ ÖN FELELŐSÉGE, HOGY A TERMÉK HASZNÁLATA SORÁN NE SÉRTSE HARMADIK FÉL JOGAIT, BELEÉRTVE, DE NEM KORLÁTOZVA A NYILVÁNOSSÁGRA, SZELLEMI TULAJDONRA, ADATOK VÉDELMERE ÉS EGYÉB SZEMÉLYES ADATOKRA VONATKOZÓ JOGOKAT. A TERMÉKET NEM HASZNÁLHATJA TILTOTT CÉLRA, BELEÉRTVE A TÖMEGPUSZTÍTÓ FEGYVEREK FEJLESZTÉSÉT VAGY GYÁRTÁSÁT, A VEGYI VAGY BIOLÓGIAI FEGYVEREK FEJLESZTÉSÉT VAGY GYÁRTÁSÁT, VALAMINT BÁRMILYEN,


ROBBANÁSVESZÉLYES VAGY NEM BIZTONSÁGOS NUKLEÁRIS HASADÓANYAG-CIKLUSSAL KAPCSOLATOS TEVÉKENYSÉGET, ILLETVE EMBERI JOGI VISSZAÉLÉSEKET TÁMOGATÓ MÓDON TÖRTÉNŐ FELHASZNÁLÁST.

HA A JELEN KÉZIKÖNYV ÉS A HATÁLYOS TÖRVÉNY KÖZÖTT ELLENTMONDÁS TAPASZTALHATÓ, AKKOR AZ UTÓBBI A MÉRVADÓ.

Szabályozással kapcsolatos információk

Ezek a cikkelyek kizárólag a megfelelő jelt vagy információt viselő termékekre vonatkoznak.

EU megfelelőségi nyilatkozat

 Ez a termék és a mellékelt tartozékai (ha vannak) a „CE” jelzést viselik, így megfelelnek a 2014/30/EU elektromágneses összeférhetőségről szóló (EMCD) irányelvben, a 2014/35/EU kisműködésű berendezésekről szóló (LVD) irányelvben és a 2011/65/EU (RoHS) irányelvben felsorolt alkalmazandó harmonizált európai szabványok követelményeinek.

A Hangzhou Hikvision Digital Technology Co., Ltd. ezennel kijelenti, hogy ez a készülék (lásd a címkét) megfelel a 2014/53/EU irányelvnek.

Az EU-megfelelőségi nyilatkozat teljes szövege a következő weboldalon érhető el: <https://www.hikvision.com/en/support/compliance/declaration-of-conformity>.

Frekvenciasávok és teljesítmény (CE-jelöléshez)

Az alábbi rádióberendezésre érvényes frekvenciasávok és a leadott teljesítmény (sugárzott és/vagy vezetett) névleges határértékei a következők:

Wi-Fi 2,4 GHz (2,4 GHz – 2,4835 GHz): 20 dBm.

A következő készülékmodellhez: DS-2TD*GLT, DS-2TXS*GLT*.

LTE FDD:

- 1. sáv: 1920 – 1980 MHz, 23 dBm, class 3;
- 3. sáv: 1710 – 1785 MHz, 23 dBm, class 3;
- 5. sáv: 824 – 849 MHz, 23 dBm, class 3;
- 7. sáv: 2500 – 2570 MHz, 23 dBm, class 3;
- 8. sáv: 880 – 915 MHz, 23 dBm, class 3;
- 20. sáv: 832 – 862 MHz, 23 dBm, class 3;
- 28. sáv: 703 – 748 MHz, 23 dBm, class 3.

LTE TDD:

- 38. sáv: 2570 – 2620 MHz, 23 dBm, class 3;

- 40. sáv: 2300 – 2400 MHz, 23dBm, class 3;
 - 41. sáv: 2555 – 2655 MHz, 23 dBm, class 3.
- WCDMA:

- 1. sáv: 1920 – 1980 MHz, 23,5 dBm, class 3;
- 5. sáv: 824 – 849 MHz, 23,5 dBm, class 3;
- 8. sáv: 880 – 915 MHz, 23,5 dBm, class 3.

A következő készülékmodellhez:

DS-2TD*GLT(JP), DS-2TXS*GLT*(JP).

LTE FDD:

- 1. sáv: 1920 – 1980 MHz, 23 dBm, class 3;
- 3. sáv: 1710 – 1785 MHz, 23 dBm, class 3;
- 8. sáv: 880 – 915 MHz, 23 dBm, class 3;
- 11. sáv: 1427,9 – 1452,9 MHz, 23 dBm, class 3;
- 18. sáv: 815 – 830 MHz, 23 dBm, class 3;
- 19. sáv: 830 – 845 MHz, 23 dBm, class 3;
- 21. sáv: 1447,9 – 1462,9 MHz, 23 dBm, class 3;
- 26. sáv: 814 – 849 MHz, 23 dBm, class 3;
- 28. sáv: 703 – 748 MHz, 23 dBm, class 3.

LTE TDD:

- 41. sáv: 2535 – 2655 MHz, 23 dBm, class 3.
- WCDMA:
- 1. sáv: 1920 – 1980 MHz, 23,5 dBm, class 3;
 - 6. sáv: 832,4 – 837,6 MHz, 23,5 dBm, class 3;
 - 8. sáv: 880 – 915 MHz, 23,5 dBm, class 3;
 - 19. sáv: 830 – 845 MHz, 23,5 dBm, class 3.

A következő készülékmodellhez:

DS-2TD*GLT(LA), DS-2TXS*GLT*(LA), DS-2TD*GLT(BR), DS-2TXS*GLT*(BR).

LTE FDD:

- 1. sáv: 1920 – 1980 MHz, 23 dBm, class 3;
- 2. sáv: 1850 – 1910 MHz, 23 dBm, class 3;
- 3. sáv: 1710 – 1785 MHz, 23 dBm, class 3;
- 4. sáv: 1710 – 1755 MHz, 23 dBm, class 3;
- 5. sáv: 824 – 849 MHz, 23 dBm, class 3;
- 7. sáv: 2500 – 2570 MHz, 23 dBm, class 3;
- 8. sáv: 880 – 915 MHz, 23 dBm, class 3;
- 12. sáv: 699 – 716 MHz, 23 dBm, class 3;
- 17. sáv: 704 – 716 MHz, 23 dBm, class 3;
- 28. sáv: 703 – 748 MHz, 23 dBm, class 3;
- 66. sáv: 1710 – 1780 MHz, 23 dBm, class 3.

LTE TDD:

- 38. sáv: 2570 – 2620 MHz, 23 dBm, class 3;
 - 40. sáv: 2300 – 2400 MHz, 23 dBm, class 3.
- WCDMA:

- 1. sáv: 1920 – 1980 MHz, 23,5 dBm, class 3;
- 2. sáv: 1850 – 1910 MHz, 23,5 dBm, class 3;
- 3. sáv: 1710 – 1785 MHz, 23,5 dBm, class 3;
- 5. sáv: 824 – 849 MHz, 23,5 dBm, class 3;

8. sáv: 880 – 915 MHz, 23,5 dBm, class 3.

GSM/GPRS/EDGE:

GSM850 sáv: 850 MHz, 32,5 dBm, class 3;

GSM900 sáv: 900 MHz, 32,5 dBm, class 3;

DCS1800 sáv: 1800 MHz, 29,5 dBm, class 3.

Ha az eszközhöz nincs mellékelve tápadapter, használjon minősített gyártó által készített tápadaptert. A tápellátással szembeni részletes követelmények a termék műszaki adataiban vannak feltüntetve.

Ha az eszközhöz nincs mellékelve akkumulátor vagy elem, használjon minősített gyártó által biztosított akkumulátort vagy elemet. Az akkumulátorral szembeni részletes követelmények a termék műszaki adataiban vannak feltüntetve.

Figyelmeztetés: Ez egy A osztályú termék.

Lakókörnyezetben rádióhullámú zavart okozhat, amely esetben a felhasználó számára előírható a megfelelő intézkedések megtétele.



2012/19/EU (WEEE-irányelv): Az ilyen jelzéssel ellátott termékeket tilos szelektálatlan kommunális



hulladékként elhelyezni az Európai Unió területén. A megfelelő újrahasznosítás érdekében vigye vissza az terméket helyi forgalmazóhoz, amikor új, egyenértékű berendezést vásárol, vagy adja le a kijelölt gyűjtőhelyeken. További információért keresse fel az alábbi weboldalt: www.recyclethis.info.



A 2006/66/EK irányelv, valamint 2013/56/EU számú módosítása (akkumulátorokra vonatkozó irányelv):

Ez a termék olyan akkumulátort tartalmaz, amelyet az Európai Unióban tilos szelektálatlan kommunális hulladékként ártalmatlanítani. A termékdokumentációban további információkat talál az akkumulátorról. Az akkumulátor ezzel a jelzéssel van ellátva. A jelzések megtalálhatók lehetnek a kadmiumot (Cd), ólmot (Pb) vagy higanyt (Hg) jelző betűjelek. A megfelelő újrahasznosítás érdekében vigye vissza az akkumulátort a forgalmazóhoz, vagy juttassa el egy kijelölt gyűjtőhelyre. További információért keresse fel az alábbi weboldalt: www.recyclethis.info.

Biztonsági utasítások

Jelen utasítások arra szolgálnak, hogy a felhasználó helyesen használhassa a terméket, elkerülve a veszélyeket és megelőzve az anyagi károkat. Kérjük, használat előtt figyelmesen olvassa el az összes biztonsági információt.

Törvények és szabályok

Az eszközt a helyi törvények, elektromos biztonsági és tűzvédelmi előírások betartásával kell használni.

Szállítás

- Szállítás alkalmával tartsa a terméket az eredeti, vagy ahhoz hasonló csomagolásban.
- Minden csomagolóanyagot őrizzen meg későbbi felhasználásra. Hiba esetén az eredeti csomagolásában kell a készüléket visszaküldenie a gyártónak.
- Az eredeti csomagolástól eltérő csomagolás a termék sérülését okozhatja. A vállalat ez esetben nem vállal semmilyen felelősséget.
- Ne ejtse le és ne tegye ki ütdődesnek a készüléket. Az eszközt tartsa távol a mágneses interferenciától.

Tápellátás

- Kérjük, a töltőt vásárolja meg külön. A bemeneti feszültségnek meg kell felelnie a korlátozott áramforrásokra vonatkozó előírásoknak (12 V DC), az IEC62368 szabvány szerint. A részletes információkért olvassa el a műszaki adatokat.
- Ellenőrizze, hogy a tápcsatlakozó stabilan van-e csatlakoztatva a konnektorhoz.
- A hálózati aljzatot a készülék közelében kell felszerelni, könnyen hozzáférhető helyre.
- NE csatlakoztasson több készüléket egy hálózati adapterre, hogy elkerülje a túlterhelés okozta túlmelegedést vagy tűzveszélyt.
- NE érintse meg a bemeneti nyílás csupasz fém érintkezőit a megszakító kikapcsolása után. Még lehet bennük áram.
- A + a berendezés áramot fogadó vagy leadó pozitív érintkezőjét jelöli. A - a berendezés áramot fogadó vagy leadó negatív érintkezőjét jelöli.

● Ügyeljen a váltakozóáramú hálózati feszültségforráshoz csatlakozó érintkezők megfelelő bekötésére.

Akkumulátor

- Az akkumulátor nem megfelelő típusúra cserélése robbanásveszélyt idézhet elő. A használt akkumulátorokat az utasításoknak megfelelően semlegesítse.
- A beépített akkumulátor nem vehető ki. Kérjük, forduljon a gyártóhoz, ha javítás szükséges.
- Az akkumulátor hosszú távú tárolásakor az akkumulátor minőségének biztosítása érdekében ellenőrizze fél évente, hogy az teljesen fel van-e töltve. Ellenkező esetben rongálódás következhet be.
- Ez a berendezés nem használható olyan

helyen, ahol gyermekek lehetnek jelen.

- Az akkumulátor nem megfelelő típussal történő helyettesítése hatástalaníthat adott biztonsági berendezéseket (például bizonyos típusú lítiumos akkumulátorok esetében).
- TILOS az akkumulátort tűzbe vagy forró sütőbe tenni, illetve az akkumulátort összezúzni vagy szétvágni, mert ez robbanást okozhat.
- Tilos az akkumulátort rendkívül magas környezeti hőmérsékletnek kitenni. Robbanást, illetve gyúlékony folyadék vagy gáz szivárgását idézheti elő.
- Tilos az akkumulátort rendkívül alacsony légnyomásnak kitenni. Robbanást, illetve gyúlékony folyadék vagy gáz szivárgását okozhatja.

Fényforrás (ha támogatott)



VIGYÁZAT: A termék potenciálisan veszélyes fénysugarat bocsát ki. NE nézzen a működő lámpa fényébe. Szemkárosodást okozhat. Viseljen megfelelő szemvédő eszközt, illetve NE kapcsolja be a fehér fényforrást a kamera összeszerelése, telepítése vagy karbantartása közben.

Telepítés

- Soha ne helyezze a berendezést instabil helyre. A berendezés leeshet, ami súlyos vagy akár halálos sérülést okozhat.
- Ez a berendezés kizárólag a megfelelő rögzítőelemekkel használható. Az ettől eltérő eszközökkel (kocsi, állvány, vagy tartó) történő használat instabil rögzítést, és emiatt sérülésveszélyt okozhat.

Rendszerezésbiztonság

- Ön elfogadja, hogy az Internet természeténél fogva biztonsági kockázatokat rejt, és vállalatunk nem vállal felelősséget a rendellenes működésért, az adatszivárgásért vagy más olyan károkért, amelyek kibertámadásból, hackertámadásból származnak; vállalatunk azonban szükség esetén időben műszaki támogatást nyújt.
- Tekintettel arra, hogy a készülék az internetre csatlakozva hálózati biztonsági kockázatoknak lehet kitéve, gondoskodjon az adatbiztonságról. Ha a készülék hálózati biztonsági kockázatnak lehet kitéve, forduljon hozzánk.
- Ne feledje, hogy az Ön felelőssége az eszközhöz kapcsolódó összes jelszó és egyéb biztonsági beállítás megadása, valamint felhasználónevének és jelszavának

biztonságos megőrzése.

Karbantartás

- Ha a termék NEM működik megfelelően, forduljon a forgalmazóhoz vagy a legközelebbi szervizközponthoz. Nem vállalunk felelősséget az illetéktelen javításból vagy karbantartásból eredő károkért.
- A készülék néhány alkatrésze (pl. elektrolit kondenzátor) rendszeres cserét igényel. Ezek átlagos élettartama változó, ezért rendszeres ellenőrzés ajánlott. Részletekért forduljon a forgalmazóhoz.
- Szükség esetén törölje le a készüléket egy tiszta törülkövel és kis mennyiségű etanollal.
- Ha a készüléket nem a gyártó által meghatározott módon használja, a védelem szintje csökkenhet.
- A tűzveszély csökkentése érdekében csak azonos típusú és névleges értékű cserebiztosítót használjon.
- A készülék soros portja kizárólag hibakeresésre szolgál.
- Szervizelés alatt válassza le a tápellátást.

Használati környezet

- Bizonyosodjon meg, hogy a használati környezet megfelel a készülék előírásainak. Az üzemi hőmérséklet -40 °C és 65 °C között, a páratartalom 5% és 95% között lehet (nem lecsapódó).
- NE TEGYE ki a készüléket erős elektromágneses sugárzásnak vagy poros környezetnek.
- NE IRÁNYÍTSA az objektívét a Nap vagy más erős fényforrás irányába.
- A készüléket védeni kell csöpögő vagy fröccsenő víz és folyadékok ellen. Ne helyezzen vizet tartalmazó edényt, tárgyat, pl. vázát a tetejére.
- Tilos a berendezésen nyílt lángforrást, pl. gyertyát elhelyezni.
- Speciális elhelyezés (pl. hegytető, vektorony, erdő) esetén a berendezés bemeneti nyílásánál alkalmazzon túláramvédőt.



- A szimbólummal ellátott alkatrészek megérintése esetén az ujjak égési sérülés veszélyének vannak kitéve. Várjon fél órát a készülék kikapcsolását követően, mielőtt megérintené az ilyen részeket.

Vészhelyzet

- Ha a készülék füstöt, furcsa szagot vagy zajt bocsát ki, azonnal kapcsolja ki, húzza ki a tápkábelt, majd forduljon a szervizközponthoz.

A gyártó címe

No. 555 Qianmo Road, Binjiang District,

Hangzhou 310052, Kína
 Hangzhou Hikvision Digital Technology Co.,
 Ltd.

MEGFELELŐSÉGI MEGJEGYZÉS: A termográfias sorozat termékeire exportszabályozás vonatkozhat különböző régiókban és országokban, pl. az Egyesült Államokban, az Európai Unióban, az Egyesült

Királyságban és/vagy a wassenaari egyezmény más tagországában. Ha a termográfias sorozat termékeit különböző országok közt szeretné szállítani, exportálni vagy újraexportálni, tájékozzódjon a szükséges exportengedélyekről és követelményekről egy jogi vagy megfelelőségi szakértőnél, vagy a helyi hatóságoknál.

Polski



Rysunki przedstawiające wygląd produktu służą wyłącznie do celów referencyjnych i mogą różnić się od rzeczywistego wyglądu urządzenia.

Elementy urządzenia (str. 1 – A)

Elementy i przewody

Numer	Elementy i złącza
1	Kamera
2	Solarny panel fotowoltaiczny
3	Uchwyt
4	Wejście audio, wyjście audio
5	Wejście audio (2 szt.), wyjście audio (2 szt.)
6	Przewód sieciowy
7	RS-485 / przewód zasilający

Instalowanie zestawu kamery (str. 1 – B)

Procedura:

- Zainstaluj kamerę na wsporniku.
- Poluzuj i usuń śruby na bocznym panelu uchwytu, aby zdemontować podstawę.
- Przymocuj podstawę do dolnego panelu kamery dwiema śrubami HSF UNC1-4-20X12.
- Ustaw otwory w podstawie zgodnie z otworami w uchwycie i przymocuj uchwyt do podstawy usuniętymi uprzednio śrubami.
- Ułóż dłuższe przewody, takie jak przewód zasilający i przewód RS-485, przez uchwyt i owiń pozostałe przewody taśmą wodoodporną, aby je uszczelnić.
- Zainstaluj baterię w solarnym panelu fotowoltaicznym.

Uwaga: Bateria solarna nie jest dostarczana w pakiecie z produktem. Należy zakupić ten element wyposażenia oddzielnie.

- Przymocuj uchwyt do panelu solarnego. Przelóż przewód RS-485 i przewód zasilający przez otwory w panelu przesuwnym, ustaw otwór w uchwycie zgodnie z otworem w panelu przesuwnym,

a następnie dokręć śruby, aby przymocować te elementy.

- Poluzuj i usuń śruby, aby zdemontować pokrywę puszek instalacyjnej.
- Przełóż przewody wyjściowe panelu solarnego i baterii przez otwory w puszcze instalacyjnej, a następnie przełóż przewód zasilający i przewód RS-485 kamery przez otwory w panelu przesuwnym i puszcze instalacyjnej. Podłącz przewody i dokręć śruby, aby przymocować puszkę instalacyjną.

Uwaga: Owiń miejsce złączenia taśmą wodoodporną, aby je uszczelnić.

- Wybierz odpowiednią wysokość miejsca instalacji zestawu. Wyjmij uchwyt do montażu masztowego, zestaw śrub montażowych i listwę montażową, umieść w otworach montażowych w maszcie i uchwycie cztery śruby M12 z podkładkami płaskimi i dokręć każdą z nich dwiema nakrętkami.
- Umieść zestaw na uchwycie do montażu masztowego i po założeniu podkładek płaskich i sprężystych dokręć nakrętkami.
- Owiń linkę zabezpieczającą na maszcie i zamknij jej zacpek.
- Dostosuj kąt nachylenia solarnego panelu fotowoltaicznego i kamery.

Instalowanie pojedynczej kamery (str. 6 – C)

Montaż ścienny (str. 6 – C.1)

Procedura:

- Poluzuj i usuń śruby na bocznym panelu uchwytu, aby zdemontować podstawę, i przymocuj ją do dolnego panelu kamery dwiema śrubami UNC1-4.
- Ustaw otwory w podstawie zgodnie z otworami w uchwycie i przymocuj uchwyt do podstawy usuniętymi uprzednio śrubami.
- Wywierć cztery otwory w ścianie zgodnie z szablonem.
- Przymocuj kamerę na ścianie dokręcając nakrętki na wkrętach z podkładkami

w kołkach rozporowych.

5. Poluzuj śruby na złączu, aby dostosować kąt nachylenia kamery, i poluzuj śruby na podstawie w celu dostosowania kąta obrotu kamery. Dokręć śruby po zakończeniu regulacji.

Montaż masztowy (str. 7 – C.2)

1. Poluzuj i usuń śruby na bocznym panelu uchwyty, aby zdemonstrować podstawę, i przymocuj ją do dolnego panelu kamery dwiema śrubami UNC1-4.
2. Ustaw otwory w podstawie zgodnie z otworami w uchwycie i przymocuj uchwyt do podstawy usuniętymi uprzednio śrubami.
3. Przełóż przez uchwyt do montażu masztowego trzy opaski zaciskowe i przymocuj uchwyt do masztu.
4. Przymocuj kamerę do uchwyty do montażu masztowego czterema śrubami M4.
5. Poluzuj śruby na złączu, aby dostosować kąt nachylenia kamery, i poluzuj śruby na podstawie w celu dostosowania kąta obrotu kamery. Dokręć śruby po zakończeniu regulacji.

Uszczelnianie połączeń (str. 8)

1. Zainstaluj wodoszczelną osłonę przewodu sieciowego (str. 8 – D).
2. Zabezpiecz złącza, wtyczki i nieużywane przewody taśmą wodoodporną (str. 8 – E).

Zabezpieczenia (str. 9 – F – 1)

Aktywacja i dostęp do urządzenia (str. 9 – F – 2)

Podręcznik użytkownika



Informacje dotyczące zgodności z przepisami i bezpieczeństwa

Przed skorzystaniem z urządzenia należy uważnie przeczytać ten podręcznik i zachować go jako źródło informacji referencyjnych.

Aby uzyskać więcej informacji dotyczących urządzenia, skorzystaj z naszej witryny internetowej <https://www.hikvision.com>. Aby uzyskać więcej informacji, można też skorzystać z innych dokumentów dostarczonych razem z urządzeniem lub zeskanować kod QR na opakowaniu.

Informacje prawne

ZASTRZEŻENIA PRAWNE


W PEŁNYM ZAKRESIE DOZWOLONYM PRZEZ OBOWIĄZUJĄCE PRAWO TEN PODRĘCZNIK, OPISANY PRODUKT I ZWIĄZANE Z NIM WYPOSAŻENIE ORAZ OPROGRAMOWANIE APLIKACYJNE I UKŁADOWE SĄ UDOSTĘPNIANE NA ZASADACH „AS IS” BEZ GWARANCJI BRAKU USTEREK I BŁĘDÓW („WITH ALL FAULTS AND ERRORS”). FIRMA HIKVISION NIE UDZIELA ŻADNYCH WYRAŹNYCH ANI DOROZUMIANYCH GWARANCJI, TAKICH JAK GWARANCJE DOTYCZĄCE PRZYDATNOŚCI HANDLOWEJ, JAKOŚCI LUB PRZYDATNOŚCI DO OKREŚLONEGO CELU. UŻYTKOWNIK KORZYSTA Z PRODUKTU NA WŁASNE RYZYKO. NIEZALEŻNIE OD OKOLICZNOŚCI FIRMA HIKVISION NIE PONOSI ODPOWIEDZIALNOŚCI ZA STRATY SPECJALNE, NASTĘPCZE, UBOCZNE LUB POŚREDNIE, TAKIE JAK STRATA OCZEKIWANYCH ZYSKÓW Z DZIAŁALNOŚCI BIZNESOWEJ, PRZERWY W DZIAŁALNOŚCI BIZNESOWEJ, USZKODZENIE SYSTEMÓW ALBO STRATA DANYCH LUB DOKUMENTACJI, WYNIKAJĄCE Z NARUSZENIA UMOWY, PRZEWINIENIA (ŁĄCZNIE Z ZANIEDBANIEM), ODPOWIEDZIALNOŚCI ZA PRODUKT LUB INNYCH OKOLICZNOŚCI, ZWIĄZANE Z UŻYCIEM TEGO PRODUKTU, NAWET JEŻELI FIRMA HIKVISION ZOSTAŁA POINFORMOWANA O MOŻLIWOŚCI WYSTĄPIENIA TAKICH SZKÓD LUB STRAT. UŻYTKOWNIK PRZYJMUJE DO WIADOMOŚCI, ŻE KORZYSTANIE Z INTERNETU JEST ZWIĄZANE Z ZAGROZENIAMI DLA BEZPIECZEŃSTWA, A FIRMA HIKVISION NIE PONOSI ODPOWIEDZIALNOŚCI ZA NIEPRAWIDŁOWE FUNKCJONOWANIE, NIEAUTORYZOWANE UJAWNIENIE POUFNYCH INFORMACJI LUB INNE SZKODY WYNIKAJĄCE Z ATAKU CYBERNETYCZNEGO, ATAKU HAKERA, DZIAŁANIA WIRUSÓW LUB INNYCH ZAGROZEŃ DLA BEZPIECZEŃSTWA W INTERECIE. FIRMA HIKVISION ZAPEWNI JEDNAK POMOC TECHNICZNĄ W ODPOWIEDNIM CZASIE, JEŻELI BĘDZIE TO WYMAGANE. UŻYTKOWNIK ZOBOWIĄDUJE SIĘ DO KORZYSTANIA Z PRODUKTU ZGODNIE Z PRZEPISAMI I PRZYJMUJE DO WIADOMOŚCI, ŻE JEST ZOBOWIĄZANY DO ZAPEWNIENIA ZGODNOŚCI UŻYCIA

PRODUKTU Z PRZEPISAMI.
 W SZCZEGÓLNOŚCI UŻYTKOWNIK JEST ZOBOWIĄZANY DO KORZYSTANIA Z PRODUKTU W SPOSÓB, KTÓRY NIE NARUSZA PRAW STRON TRZECICH, DOTYCZĄCYCH NA PRZYKŁAD WIZERUNKU KOMERCYJNEGO, WŁASNOŚCI INTELEKTUALNEJ LUB OCHRONY DANYCH I PRYWATNOŚCI. UŻYTKOWNIK NIE BĘDZIE UŻYWAĆ PRODUKTU DO CELÓW ZABRONIONYCH, TAKICH JAK OPRACOWANIE LUB PRODUKCJA BRONI MASOWEGO RAŻENIA ALBO BRONI CHEMICZNEJ LUB BIOLOGICZNEJ ORAZ DZIAŁANIA ZWIĄZANE Z WYBUCHOWYMI MATERIAŁAMI NUKLEARNYMI, NIEBEZPIECZNYM NUKLEARNYM CYKLEM PALIWOWYM LUB ŁAMANIEM PRAW CZŁOWIEKA.
 W PRZYPADKU NIEZGODNOŚCI NINIEJSZEGO PODRĘCZNIKA Z OBOWIĄZUJĄCYM PRAWEM WYŻSZY PRIORYTET BĘDZIE MIAŁO OBOWIĄZUJĄCE PRAWO.

Informacje dotyczące przepisów

Te klauzule dotyczą tylko produktów z odpowiednimi oznaczeniami lub etykietami.

Deklaracja zgodności z dyrektywami UE

 Ten produkt i ewentualnie dostarczone razem z nim akcesoria oznaczono symbolem „CE” potwierdzającym zgodność z odpowiednimi ujednoliconymi normami europejskimi, uwzględnionymi w dyrektywie 2014/30/EU (EMCD), dyrektywie 2014/35/EU (LVD) i dyrektywie 2011/65/EU (RoHS).

Firma Hangzhou Hikvision Digital Technology Co., Ltd. niniejszym deklaruje, że to urządzenie o nazwie podanej na etykiecie jest zgodne z dyrektywą 2014/53/EU.

Deklaracja zgodności z dyrektywami UE jest dostępna w witrynie internetowej <https://www.hikvision.com/en/support/compliance/declaration-of-conformity>.

Pasma częstotliwości i moc (CE)

Pasma częstotliwości i dopuszczalne wartości graniczne znamionowej mocy promieniowanej (transmisja i/lub przewodzenie) tego urządzenia radiowego są następujące:

Wi-Fi 2,4 GHz (2,400 – 2,4835 GHz): 20 dBm.

Model urządzenia: DS-2TD*GLT, DS-2TXS*GLT*.

LTE FDD:

Pasma 1: 1920 – 1980 MHz, 23 dBm, klasa 3;
 Pasma 3: 1710 – 1785 MHz, 23 dBm, klasa 3;
 Pasma 5: 824 – 849 MHz, 23 dBm, klasa 3;
 Pasma 7: 2500 – 2570 MHz, 23 dBm, klasa 3;
 Pasma 8: 880 – 915 MHz, 23 dBm, klasa 3;
 Pasma 20: 832 – 862 MHz, 23 dBm, klasa 3;
 Pasma 28: 703 – 748 MHz, 23 dBm, klasa 3.

LTE TDD:

Pasma 38: 2570 – 2620 MHz, 23 dBm, klasa 3;

Pasma 40: 2300 – 2400 MHz, 23 dBm, klasa 3;

Pasma 41: 2555 – 2655 MHz, 23 dBm, klasa 3.

WCDMA:

Pasma 1: 1920 – 1980 MHz, 23,5 dBm, klasa 3;

Pasma 5: 824 – 849 MHz, 23,5 dBm, klasa 3;
 Pasma 8: 880 – 915 MHz, 23,5 dBm, klasa 3.

Model urządzenia: DS-2TD*GLT(JP), DS-2TXS*GLT*(JP).

LTE FDD:

Pasma 1: 1920 – 1980 MHz, 23 dBm, klasa 3;

Pasma 3: 1710 – 1785 MHz, 23 dBm, klasa 3;

Pasma 8: 880 – 915 MHz, 23 dBm, klasa 3;

Pasma 11: 1427,9 – 1452,9 MHz, 23 dBm, klasa 3;

Pasma 18: 815 – 830 MHz, 23 dBm, klasa 3;

Pasma 19: 830 – 845 MHz, 23 dBm, klasa 3;

Pasma 21: 1447,9 – 1462,9 MHz, 23 dBm, klasa 3;

Pasma 26: 814 – 849 MHz, 23 dBm, klasa 3;

Pasma 28: 703 – 748 MHz, 23 dBm, klasa 3.

LTE TDD:

Pasma 41: 2535 – 2655 MHz, 23 dBm, klasa 3.

WCDMA:

Pasma 1: 1920 – 1980 MHz, 23,5 dBm, klasa 3;

Pasma 6: 832,4 – 837,6 MHz, 23,5 dBm, klasa 3;

Pasma 8: 880 – 915 MHz, 23,5 dBm, klasa 3;

Pasma 19: 830 – 845 MHz, 23,5 dBm, klasa 3.

Model urządzenia: DS-2TD*GLT(LA), DS-2TXS*GLT*(LA), DS-2TD*GLT(BR), DS-2TXS*GLT*(BR).

LTE FDD:

Pasma 1: 1920 – 1980 MHz, 23 dBm, klasa 3;

Pasma 2: 1850 – 1910 MHz, 23 dBm, klasa 3;

Pasma 3: 1710 – 1785 MHz, 23 dBm, klasa 3;

Pasma 4: 1710 – 1755 MHz, 23 dBm, klasa 3;
 Pasma 5: 824 – 849 MHz, 23 dBm, klasa 3;
 Pasma 7: 2500 – 2570 Mhz, 23 dBm, klasa 3;
 Pasma 8: 880 – 915 MHz, 23 dBm, klasa 3;
 Pasma 12: 699 – 716 MHz, 23 dBm, klasa 3;
 Pasma 17: 704 – 716 MHz, 23 dBm, klasa 3;
 Pasma 28: 703 – 748 MHz, 23 dBm, klasa 3;
 Pasma 66: 1710 – 1780 MHz, 23 dBm, klasa 3.

LTE TDD:

Pasma 38: 2570 – 2620 MHz, 23 dBm, klasa 3;

Pasma 40: 2300 – 2400 MHz, 23 dBm, klasa 3.

WCDMA:

Pasma 1: 1920 – 1980 MHz, 23,5 dBm, klasa 3;

Pasma 2: 1850 – 1910 MHz, 23,5 dBm, klasa 3;

Pasma 3: 1710 – 1785 MHz, 23,5 dBm, klasa 3;

Pasma 5: 824 – 849 MHz, 23,5 dBm, klasa 3;

Pasma 8: 880 – 915 MHz, 23,5 dBm, klasa 3.

GSM/GPRS/EDGE:

Pasma GSM850: 850 MHz, 32,5 dBm, klasa 3;

Pasma GSM900: 900 MHz, 32,5 dBm, klasa 3;

Pasma DCS1800: 1800 MHz, 29,5 dBm, klasa 3.

W przypadku urządzeń dostarczanych bez zasilacza należy użyć markowego zasilacza. Aby uzyskać więcej informacji dotyczących wymaganego zasilania, należy skorzystać ze specyfikacji produktu.

W przypadku urządzeń dostarczanych bez baterii należy użyć markowej baterii. Aby uzyskać więcej informacji dotyczących wymaganej baterii, należy skorzystać ze specyfikacji produktu.

Ostrzeżenie: To jest produkt klasy A.

W budynkach mieszkalnych ten produkt może powodować zakłócenia radiowe.

W takich okolicznościach użytkownik może być zobowiązany do zastosowania adekwatnych środków zaradczych.



Dyrektywa 2012/19/EU w sprawie zużytego sprzętu elektrycznego i elektronicznego (WEEE):

Produktów oznaczonych tym symbolem nie wolno utylizować na obszarze Unii Europejskiej jako niesegregowane odpady komunalne. Aby zapewnić prawidłowy recykling tego produktu, należy zwrócić go do lokalnego dostawcy przy zakupie równoważnego

nowego urządzenia lub utylizować go w wyznaczonym punkcie selektywnej zbiórki odpadów. Aby uzyskać więcej informacji, skorzystaj z witryny internetowej: www.recyclethis.info.



Dyrektywa 2006/66/EC w sprawie baterii i akumulatorów i zmieniająca ją dyrektywa 2013/56/EU: Ten produkt zawiera baterię, której nie wolno utylizować na obszarze Unii Europejskiej jako niesegregowane odpady komunalne. Szczegółowe informacje dotyczące baterii zamieszczono w dokumentacji produktu. Bateria jest oznaczona tym symbolem, który może także zawierać litery wskazujące na zawartość kadmu (Cd), ołowiu (Pb) lub rtęci (Hg). Aby zapewnić prawidłowy recykling baterii, należy zwrócić ją do dostawcy lub przekazać do wyznaczonego punktu zbiórki. Aby uzyskać więcej informacji, skorzystaj z witryny internetowej www.recyclethis.info.

Zalecenia dotyczące bezpieczeństwa

Te zalecenia umożliwiają prawidłowe korzystanie z produktu i zapobieganie zagrożeniu użytkowników lub zniszczeniu wyposażenia. Przed użyciem urządzenia należy przeczytać wszystkie zalecenia dotyczące bezpieczeństwa.

Przepisy i rozporządzenia

Urządzenie powinno być użytkowane zgodnie z lokalnymi przepisami, rozporządzeniami dotyczącymi korzystania z wyposażenia elektrycznego i przepisami przeciwpożarowymi.

Transport

- Podczas transportu urządzenie powinno być umieszczone w oryginalnym lub podobnym opakowaniu.
- Należy zachować opakowanie urządzenia. W przypadku wystąpienia usterki urządzenia należy zwrócić je do zakładu produkcyjnego w oryginalnym opakowaniu.
- Producent nie ponosi odpowiedzialności za uszkodzenie urządzenia na skutek transportu bez oryginalnego opakowania.
- Należy chronić urządzenie przed upadkiem lub udarami mechanicznymi. Należy chronić urządzenie przed zakłóceniami magnetycznymi.

Zasilanie

- Ładowarkę należy kupić oddzielnie. Napięcie wejściowe powinno spełniać wymagania dotyczące źródeł zasilania z własnym ograniczeniem (LPS; 12 V DC)

zgodnie z normą IEC62368. Szczegółowe informacje zamieszczono w sekcji zawierającej dane techniczne.

- Należy upewnić się, że wtyczka jest prawidłowo podłączona do gniazda sieci elektrycznej.
- Gniazdo sieci elektrycznej powinno być zainstalowane w łatwo dostępnym miejscu w pobliżu urządzenia.
- NIE wolno podłączać wielu urządzeń do jednego zasilacza, ponieważ może to spowodować przegrzanie lub zagrożenie pożarowe na skutek przeciążenia.
- NIE wolno dotykać nieosłoniętych metalowych styków włączki wejściowych po uaktywnieniu wyłącznika automatycznego. W takiej sytuacji elementy urządzenia są wciąż pod napięciem.
- Symbol „+” oznacza dodatnie styki prądu stałego w urządzeniu. Symbol „-” oznacza ujemne styki prądu stałego w urządzeniu.
- Należy upewnić się, że przewody są prawidłowo podłączone do złączy sieci elektrycznej.

Bateria

- Zainstalowanie nieodpowiedniej baterii może spowodować wybuch. Zużyte baterie należy utylizować zgodnie z instrukcjami.
- Wbudowana bateria nie jest przystosowana do demontażu przez użytkownika. Jeżeli konieczne jest wykonanie naprawy, należy skontaktować się z producentem.
- Jeżeli bateria jest przechowywana przez dłuższy czas, należy naładować ją całkowicie co pół roku, aby zapewnić jej prawidłowy stan techniczny. Ignorowanie tego zalecenia może spowodować uszkodzenie.
- Urządzenie nie powinno być używane w lokalizacjach, w których mogą przebywać dzieci.
- Zainstalowanie nieodpowiedniej baterii może spowodować zagrożenie (dotyczy to na przykład niektórych baterii litowych).
- NIE WOLNO wrzucać baterii do ognia lub rozgrzanego pieca ani zginać lub przecinać baterii, ponieważ może to spowodować jej wybuch.
- Wysoka temperatura w otoczeniu może spowodować wybuch baterii albo wyciek palnej cieczy lub gazu.
- Ekstremalnie niskie ciśnienie powietrza w otoczeniu może spowodować wybuch baterii albo wyciek palnej cieczy lub gazu.

Oświetlenie (jeżeli jest używane)



PRZESTROGA: Produkt emituje światło

widzialne, które może być szkodliwe.

NIE wolno spoglądać bezpośrednio we włączoną lampę. Może to spowodować uszkodzenie wzroku. Należy korzystać z odpowiednich okularów ochronnych, a jeżeli odpowiednie okulary są niedostępne, NIE wolno włączać oświetlenia światłem białym podczas montażu, instalacji lub konserwacji kamery.

Instalacja

- Nie wolno instalować urządzenia na niestabilnym podłożu. Urządzenie może upaść i spowodować poważne zranienie lub zgon.
- To urządzenie powinno być używane wyłącznie z odpowiednimi uchwytyami. Użycie innych uchwytów (wózków lub statywów) może spowodować zranienie na skutek niestabilności urządzenia.

Zabezpieczenia systemu

- Użytkownik przyjmuje do wiadomości, że korzystanie z Internetu jest związane z zagrożeniami dla bezpieczeństwa, a nasza firma nie ponosi odpowiedzialności za nieprawidłowe funkcjonowanie, nieautoryzowane ujawnienie poufnych informacji albo inne szkody wynikające z ataku cybernetycznego lub ataku hakera. Nasza firma zapewni jednak pomoc techniczną w odpowiednim czasie, jeżeli będzie to wymagane.
- Należy chronić dane osobowe po połączeniu urządzenia z Internetem. Jeżeli występują zagrożenia urządzenia w sieci, należy skontaktować się z producentem.
- Użytkownik jest zobowiązany do skonfigurowania wszystkich haseł i ustawień zabezpieczeń urządzenia oraz ochrony własnej nazwy użytkownika i hasła.

Konserwacja

- Jeżeli produkt nie działa prawidłowo, skontaktuj się z dystrybutorem lub najbliższym centrum serwisowym. Producent nie ponosi odpowiedzialności za problemy spowodowane przez nieautoryzowane prace naprawcze lub konserwacyjne.
- Konieczna jest regularna wymiana kilku podzespołów urządzenia (np. kondensatora elektrolytycznego). Przeciętny okres użytkowania może być różny, dlatego zalecane jest regularne sprawdzanie stanu technicznego podzespołów. Aby uzyskać więcej informacji, należy skontaktować się


z dystrybutorem.

- Należy przetrzeć urządzenie ostrożnie czystą ściereczką zwilżoną niewielką ilością etanolu, jeżeli jest to konieczne.
- Użycie urządzenia niezgodnie z zaleceniami może spowodować anulowanie gwarancji producenta.
- Aby ograniczyć zagrożenie pożarowe, należy używać bezpieczników tego samego typu i o takich samych parametrach znamionowych.
- Złącze szeregowe urządzenia jest używane wyłącznie do debugowania.
- Podczas wykonania prac serwisowych zasilanie musi być odłączone.

Warunki otoczenia

- Należy upewnić się, że warunki otoczenia spełniają wymagania określone przez producenta urządzenia. Podczas użytkowania urządzenia temperatura otoczenia powinna wynosić od -40°C do 65°C, a wilgotność powinna wynosić od 5% do 95% (bez kondensacji).
- Należy chronić urządzenie przed silnym promieniowaniem elektromagnetycznym oraz kurzem i pyłem.
- NIE wolno kierować obiektywem w stronę słońca lub innego źródła intensywnego światła.
- Nie wolno dopuścić do rozlania cieczy na urządzeniu. Nie wolno ustawiać na urządzeniu naczyń napełnionych cieczą, takich jak wazony.
- Nie wolno umieszczać na urządzeniu źródeł nieosłoniętego płomienia, takich jak zapalone świece.
- Należy zapewnić tłumienie uderów elektrycznych przy otwarciu urządzenia

w specjalnych warunkach takich jak szczyt wzgórze, wieża z elementów stalowych lub las.

-  Dotknięcie podzespołów oznaczonych tym symbolem może spowodować oparzenie palców. Po wyłączeniu zasilania należy odczekać pół godziny przed dotknięciem elementów urządzenia.

Poważne awarie

- Jeżeli urządzenie wydziela dym lub intensywny zapach albo emituje hałas, należy niezwłocznie wyłączyć zasilanie i odłączyć przewód zasilający, a następnie skontaktować się z centrum serwisowym.

Adres producenta

No.555 Qianmo Road, Binjiang District, Hangzhou 310052, China
Hangzhou Hikvision Digital Technology Co., Ltd.

UWAGA DOTYCZĄCA ZGODNOŚCI

Z PRZEPISAMI: Produkty termowizyjne mogą podlegać kontroli eksportu w różnych krajach lub regionach, takich jak Stany Zjednoczone, Wielka Brytania lub kraje członkowskie Unii Europejskiej, które sygnowały porozumienie Wassenaar. Jeżeli planowane jest przesyłanie, eksportowanie lub reeksportowanie produktów termowizyjnych przez granice państw, należy skonsultować się z ekspertem w dziedzinie prawa lub zgodności z przepisami albo lokalnymi urzędami administracji państwowej, aby uzyskać informacje dotyczące wymaganej licencji eksportowej.

Română



Aspectul produsului este doar de referință și poate varia de produsul real.

Aspectul (Pagina 1 – A)

Componentă și cablu

Nr.	Componente și interfață
1	Cameră
2	Panou solar fotovoltaic
3	Suport de conectare
4	Intrare audio, ieșire audio
5	Intrare alarmă × 2, ieșire alarmă × 2
6	Cablu de rețea
7	RS-485, cablu de alimentare

Instalați kitul camerei (Pagina 1 – B)

Pași:

1. Instalați camera pe suportul de conectare.
 - 1) Slăbiți și îndepărtați șuruburile de pe partea laterală a suportului pentru a demonta baza.
 - 2) Fixați baza pe partea inferioară a camerei cu două șuruburi HSF UNC1-4-20X12.
 - 3) Aliniați găurile de pe bază cu găurile de pe suport și fixați baza pe suport cu șuruburile scoase înainte.
2. Treceți cablurile mai lungi, cum ar fi cablul de alimentare și cablul RS-485 prin suportul de conectare și înfășurați alte cabluri cu benzi impermeabile pentru etanșare.

3. Instalați bateria în panoul solar fotovoltaic.

Notă: Bateria panoului solar nu este inclusă în pachet. Vă rugăm să îl achiziționați în mod separat.

4. Instalați suportul de conectare la panoul solar. Treceți cablul RS-485 și cablul de alimentare prin găurile de pe panoul de comutare, aliniați gaura de pe suportul de conectare cu cea de pe panoul de comutare și strângeți șuruburile pentru a le fixa.

5. Slăbiți și scoateți șuruburile pentru a demonta capacul cutiei de fire.

6. Treceți cablul de ieșire al panoului solar și cablul de ieșire al bateriei prin găurile cutiei de fire și treceți cablul de alimentare și cablul RS-485 ale camerei prin găurile de trecere ale panoului de comutare și ale cutiei de fire. Conectați cablurile și strângeți șuruburile pentru a instala capacul cutiei de fire.

Notă: Înfășurați îmbinarea cu benzi impermeabile pentru etanșare.

7. Selectați o înălțime adecvată pentru a instala kitul. Scoateți suportul vertical tip stâlp, pachetul de șuruburi pentru montare și bara de montare, filetați găurile de instalare de pe suportul vertical tip stâlp și bara de montare cu patru șuruburi M12 și strângeți fiecare șurub cu o garnitură plată și două piulițe.

8. Agățați kitul pe suportul de montare vertical tip stâlp și fixați kitul cu garnituri plate, șaibe elastice și piulițe.

9. Înfășurați firul de siguranță în jurul suportului vertical tip stâlp și prindeți clema de blocare a firului de siguranță.

10. Reglați unghiurile panoului solar fotovoltaic și ale camerei.

Instalarea camerei unice (Pagina 6 – C)

Montare pe perete (Pagina 6 – C.1)

Pași:

1. Slăbiți și îndepărtați șuruburile de pe partea laterală a suportului pentru a demonta baza și fixați baza pe partea inferioară a camerei cu două șuruburi UNC1-4.

2. Aliniați găurile de pe bază cu găurile de pe suport și fixați baza pe suport cu șuruburile scoase înainte.

3. Faceți patru găuri pe perete conform șablonului de foraj.

4. Fixați camera pe perete cu șuruburi de expansiune, garnituri și piulițe.

5. Slăbiți șuruburile de la îmbinare pentru a regla unghiul de înclinare al camerei și

slăbiți șuruburile din partea de jos a bazei pentru a regla unghiul de panoramare al camerei. Strângeți șuruburile după reglare.

Montare pe suportul tip stâlp (Pagina 7 – C.2)

1. Slăbiți și îndepărtați șuruburile de pe partea laterală a suportului pentru a demonta baza și fixați baza pe partea inferioară a camerei cu două șuruburi UNC1-4.

2. Aliniați găurile de pe bază cu găurile de pe suport și fixați baza pe suport cu șuruburile scoase înainte.

3. Înfiletați consola suportului de montare tip stâlp cu trei cercuri de blocare rapidă și fixați consola pe stâlp.

4. Fixați camera pe suportul de montare tip stâlp cu patru șuruburi M4.

5. Slăbiți șuruburile de la îmbinare pentru a regla unghiul de înclinare al camerei și slăbiți șuruburile din partea de jos a bazei pentru a regla unghiul de panoramare al camerei. Strângeți șuruburile după reglare.

Metoda impermeabilă (Pagina 8)

1. Instalați mantaua impermeabilă a cablului de rețea (Pagina 8 – D).

2. Utilizați banda impermeabilă furnizată pentru a proteja conectorii de cabluri și cablurile neutilizate (Pagina 8 – E).

Măsurile de protecție (Pagina 9 – F – 1)

Activați și accesați dispozitivul

(Pagina 9 – F – 2)

Manual de utilizare



Conformitatea cu reglementările și informații privind siguranța

Citiți cu atenție toate informațiile și instrucțiunile din acest document înainte de a utiliza dispozitivul și păstrați-l pentru referințe ulterioare.

Pentru mai multe informații și instrucțiuni despre dispozitiv, vă rugăm să vizitați site-ul nostru web la <https://www.hikvision.com>. De asemenea, puteți consulta alte documente (dacă există) care însoțesc dispozitivul sau puteți scana codul QR (dacă există) de pe ambalaj pentru a obține mai multe informații.

Informații juridice**DECLINAREA RESPONSABILITĂȚII**

ÎN MĂSURA MAXIMĂ PERMISĂ DE LEGISLAȚIA APLICABILĂ, ACEST MANUAL ȘI PRODUSUL DESCRIS, ÎMPREUNĂ CU HARDWARE-UL, SOFTWARE-UL ȘI FIRMWARE-UL SĂU, SUNT FURNIZATE „CA ATARE” ȘI „CU TOATE DEFECTELE ȘI ERORILE”. HIKVISION NU OFERĂ NICIO GARANȚIE, EXPRESĂ SAU IMPLICITĂ, INCLUSIV, DAR FĂRĂ A SE LIMITA LA, COMERCIALIZAREA, CALITATEA SATISFĂCĂTOARE SAU ADECVAREA PENTRU UN ANUMIT SCOP. UTILIZAREA PRODUSULUI DE CĂTRE DVS. ESTE PE PROPRIUL RISC. ÎN NICI UN CAZ HIKVISION NU VA FI RESPONSABILĂ FAȚĂ DE DVS. PENTRU ORICE DAUNE SPECIALE, SECUNDARE, ACCIDENTALE SAU INDIRECTE, INCLUSIV, PRINTE ALTELE, DAUNE PPRIN PIERDEREA PROFITURILOR DIN AFACERI, ÎNTRUPEREA ACTIVITĂȚII SAU PIERDEREA DATELOR, DETERIORAREA SISTEMELOR SAU PIERDEREA DOCUMENTAȚIEI, FIE CĂ SE BAZEAZĂ PE ÎNCĂLCAREA CONTRACTULUI, DELICT (INCLUSIV NEGLIJENȚĂ), RĂSPUNDEREA CU PRIVIRE LA PRODUS SAU ÎN ALT MOD, ÎN LEGĂTURĂ CU UTILIZAREA PRODUSULUI, CHIAR DACĂ HIKVISION A FOST INFORMATĂ CU PRIVIRE LA POSIBILITATEA UNOR ASTFEL DE DAUNE SAU PIERDERI.

RECUNOAȘTEȚI CĂ NATURA INTERNETULUI IMPLICĂ RISCURI DE SECURITATE INERENTE, IAR HIKVISION NU ÎȘI ASUMĂ NICIO RESPONSABILITATE PENTRU FUNCȚIONAREA ANORMALĂ, SCURGEREA DE INFORMAȚII CONFIDENȚIALE SAU ALTE DAUNE REZULTATE DIN ATACURI CIBERNETICE, ATACURI ALE HACKERILOR, INFECTĂRI CU VIRUȘI SAU ALTE RISCURI DE SECURITATE PE INTERNET; CU TOATE ACESTE, HIKVISION VA OFERI ASISTENȚĂ TEHNICĂ ÎN TIMP UTIL DACĂ ESTE NECESAR. SUNTEȚI DE ACORD SĂ UTILIZAȚI ACEST PRODUS ÎN CONFORMITATE CU TOATE LEGILE APLICABILE ȘI VĂ REVINE ÎN ÎNTREGIME RESPONSABILITATEA DE A VĂ ASIGURA CĂ UTILIZAREA DVS. ESTE ÎN CONFORMITATE CU LEGISLAȚIA APLICABILĂ. ÎN SPECIAL, SUNTEȚI RESPONSABIL(Ă) PENTRU UTILIZAREA ACESTUI PRODUS ÎNTR-UN MOD CARE NU ÎNCALCĂ DREPTURILE TERȚILOR, INCLUSIV, DAR FĂRĂ A SE LIMITA LA DREPTURILE DE PUBLICITATE,

DREPTURILE DE PROPRIETATE INTELLECTUALĂ SAU PROTECȚIA DATELOR ȘI ALTE DREPTURI DE CONFIDENȚIALITATE. NU VEȚI UTILIZA ACEST PRODUS PENTRU UTILIZĂRI FINALE INTERZISE, INCLUSIV PENTRU DEZVOLTAREA SAU PRODUCEREA DE ARME DE DISTRUGERE ÎN MASĂ, DEZVOLTAREA SAU PRODUCEREA DE ARME CHIMICE SAU BIOLOGICE, DESFĂȘURAREA ORICĂROR ACTIVITĂȚI ÎN CONTEXTUL ORICĂRUUI EXPLOZIBIL NUCLEAR SAU AL UNUI CICLU DE PRODUCȚIE A UNUI COMBUSTIBIL NUCLEAR CARE NU PREZINTĂ SIGURANȚĂ SAU ÎN SPRIJINUL ÎNCĂLCĂRII DREPTURILOR OMULUI.

ÎN CAZUL UNOR CONFLICTE ÎNTRE ACEST MANUAL ȘI LEGEA APLICABILĂ, ACEASTA DIN URMĂ PREVALEAZĂ.

Informații de reglementare

Aceste clauze se aplică numai produselor care poartă marca sau informațiile corespunzătoare.

Declarație de conformitate UE

CE Acest produs și, dacă este cazul, și accesoriile furnizate sunt prevăzute cu marcaul „CE” și, drept urmare, sunt conforme cu standardele europene armonizate aplicabile enumerate în Directiva 2014/30/UE (EMCD), Directiva 2014/35/UE (LVD), Directiva 2011/65/UE (RoHS). Prin prezenta, Hangzhou Hikvision Digital Technology Co., Ltd. declară că acest dispozitiv (a se consulta eticheta) este conform cu Directiva 2014/53/UE.

Textul integral al declarației de conformitate UE este disponibil la următoarea adresă de internet:

<https://www.hikvision.com/en/support/compliance/declaration-of-conformity>.

Benzi de frecvență și putere (pentru CE)

Limitele nominale pentru benzile de frecvență și puterea de transmisie (radiată și/sau condusă) aplicabile următoarelor echipamente radio sunt următoarele: Wi-Fi 2,4 GHz (de la 2,4 GHz până la 2,4835 GHz): 20 dBm.

Pentru modelul de echipament: DS-2TD*GLT, DS-2TXS*GLT*.

LTE FDD:

Banda 1: între 1920 și 1980 MHz, 23 dBm, clasa 3;

Banda 3: între 1710 și 1785 MHz, 23 dBm, clasa 3;

Banda 5: între 824 și 849 MHz, 23 dBm, clasa 3;
Banda 7: între 2500 și 2570 MHz, 23 dBm, clasa 3;

Banda 8: între 880 și 915 MHz, 23 dBm, clasa 3;
Banda 20: între 832 și 862 MHz, 23 dBm, clasa 3;

Banda 28: între 703 și 748 MHz, 23 dBm, clasa 3.

LTE TDD:

Banda 38: între 2570 și 2620 MHz, 23 dBm, clasa 3;

Banda 40: între 2300 și 2400 MHz, 23 dBm, clasa 3;

Banda 41: între 2555 și 2655 MHz, 23 dBm, clasa 3.

WCDMA:

Banda 1: între 1920 și 1980 MHz, 23,5 dBm, clasa 3;

Banda 5: între 824 și 849 MHz, 23,5 dBm, clasa 3;

Banda 8: între 880 și 915 MHz, 23,5 dBm, clasa 3.

Pentru modelul de echipament:

DS-2TD*GLT(JP), DS-2TXS*GLT*(JP).

LTE FDD:

Banda 1: între 1920 și 1980 MHz, 23 dBm, clasa 3;

Banda 3: între 1710 și 1785 MHz, 23 dBm, clasa 3;

Banda 8: între 880 și 915 MHz, 23 dBm, clasa 3;

Banda 11: între 1427,9 și 1452,9 MHz, 23 dBm, clasa 3;

Banda 18: între 815 și 830 MHz, 23 dBm, clasa 3;

Banda 19: între 830 și 845 MHz, 23 dBm, clasa 3;

Banda 21: între 1447,9 și 1462,9 MHz, 23 dBm, clasa 3;

Banda 26: între 814 și 849 MHz, 23 dBm, clasa 3;

Banda 28: între 703 și 748 MHz, 23 dBm, clasa 3.

LTE TDD:

Banda 41: între 2535 și 2655 MHz, 23 dBm, clasa 3.

WCDMA:

Banda 1: între 1920 și 1980 MHz, 23,5 dBm, clasa 3;

Banda 6: între 832,4 și 837,6 MHz, 23,5 dBm, clasa 3;

Banda 8: între 880 și 915 MHz, 23,5 dBm, clasa 3;

Banda 19: între 830 și 845 MHz, 23,5 dBm,

clasa 3.

Pentru modelul de echipament:

**DS-2TD*GLT(LA), DS-2TXS*GLT*(LA),
DS-2TD*GLT(BR), DS-2TXS*GLT*(BR).**

LTE FDD:

Banda 1: între 1920 și 1980 MHz, 23 dBm, clasa 3;

Banda 2: între 1850 și 1910 MHz, 23 dBm, clasa 3;

Banda 3: între 1710 și 1785 MHz, 23 dBm, clasa 3;

Banda 4: între 1710 și 1755 MHz, 23 dBm, clasa 3;

Banda 5: între 824 și 849 MHz, 23 dBm, clasa 3;

Banda 7: între 2500 și 2570 MHz, 23 dBm, clasa 3;

Banda 8: între 880 și 915 MHz, 23 dBm, clasa 3;

Banda 12: între 699 și 716 MHz, 23 dBm, clasa 3;

Banda 17: între 704 și 716 MHz, 23 dBm, clasa 3;

Banda 28: între 703 și 748 MHz, 23 dBm, clasa 3;

Banda 66: între 1710 și 1780 MHz, 23 dBm, clasa 3.

LTE TDD:

Banda 38: între 2570 și 2620 MHz, 23 dBm, clasa 3;

Banda 40: între 2300 și 2400 MHz, 23 dBm, clasa 3.

WCDMA:

Banda 1: între 1920 și 1980 MHz, 23,5 dBm, clasa 3;

Banda 2: între 1850 și 1910 MHz, 23,5 dBm, clasa 3;

Banda 3: între 1710 și 1785 MHz, 23,5 dBm, clasa 3;

Banda 5: între 824 și 849 MHz, 23,5 dBm, clasa 3;

Banda 8: între 880 și 915 MHz, 23,5 dBm, clasa 3.

GSM/GPRS/EDGE:

Banda GSM850: 850 MHz, 32,5 dBm, clasa 3;

Banda GSM900: 900 MHz, 32,5 dBm, clasa 3;

Banda DCS1800: 1800 MHz, 29,5 dBm, clasa 3.

Dacă dispozitivul a fost furnizat fără un adaptor de alimentare, folosiți adaptorul de alimentare furnizat de un producător calificat. Consultați specificațiile produsului pentru cerințele detaliate de alimentare.

Dacă dispozitivul a fost furnizat fără o baterie, folosiți bateria furnizată de un producător calificat. Consultați specificațiile produsului

pentru cerințele detaliate privind bateria.
Avertizare: Acesta este un produs din Clasa A. Într-un mediu casnic, acest produs poate cauza interferențe radio, iar în acest caz, utilizatorul poate fi obligat să ia măsuri adecvate.



2012/19/UE (directiva DEEE):
 Produsele marcate cu acest simbol nu pot fi eliminate ca deșeuri municipale nesortate în Uniunea

Europeană. Pentru o reciclare adecvată, returnați acest produs furnizorului local la achiziționarea unui echipament nou echivalent sau predați-l într-unul dintre punctele de colectare desemnate. Pentru mai multe informații, consultați:
www.recyclethis.info.



2006/66/CE și amendamentul său 2013/56/UE (directiva privind bateriile): Acest produs conține o baterie care nu poate fi eliminată ca deșeu municipal nesortat în Uniunea Europeană. Consultați documentația produsului pentru informații specifice despre baterie. Bateria este marcată cu acest simbol, care poate include litere pentru a indica cadmiul (Cd), plumbul (Pb) sau mercurul (Hg). Pentru o reciclare corectă, returnați bateria furnizorului dvs. sau la un punct de colectare desemnat. Pentru mai multe informații, consultați: www.recyclethis.info.

Instrucțiuni de siguranță

Aceste instrucțiuni sunt menite să asigure că utilizatorul poate utiliza corect produsul pentru a evita pericolul sau pierderea proprietății. Vă rugăm să citiți cu atenție toate informațiile de siguranță înainte de utilizare.

Legi și reglementări

Dispozitivul trebuie utilizat în conformitate cu legile locale, reglementările privind siguranța electrică și reglementările privind prevenirea incendiilor.

Transport

- Păstrați dispozitivul în ambalajul original sau similar în timpul transportului.
- După dezambalare, păstrați toate ambalajele pentru o viitoare utilizare. În cazul în care a apărut vreun defect, trebuie să returnați dispozitivul în fabrică cu ambalajul original.
- Transportul fără ambalajul original poate duce la deteriorarea dispozitivului, iar compania nu își asumă nici o responsabilitate pentru aceasta.
- NU scăpați produsul și NU îl supuneți la șocuri fizice. Păstrați dispozitivul departe de

interfața magnetică.

Alimentare electrică

- Vă rugăm să cumpărați personal încărcătorul. Tensiunea de intrare trebuie să îndeplinească sursa limitată de putere (12 V c.c.) conform standardului IEC62368. Vă rugăm să consultați specificațiile tehnice pentru informații detaliate.
- Asigurați-vă că ștecherul este conectat corect la priză de curent.
- Priza de curent trebuie să fie instalată în apropierea echipamentului și trebuie să fie ușor accesibilă.
- NU conectați mai multe dispozitive la un adaptor de alimentare pentru a evita pericolul de supraîncălzire sau de incendiu.
- NU atingeți contactele metalice goale ale prizelor după ce întrerupătorul de circuit este oprit. Electricitatea mai este prezentă.
- + identifică terminalul (terminalele) pozitiv(e) al(e) echipamentului care este utilizat cu curent continuu sau care generează curent continuu. - identifică terminalul (terminalele) negativ(e) al(e) echipamentului care este utilizat cu curent continuu sau care generează curent continuu.
- Asigurați-vă că terminalele sunt cablate corect pentru conectarea la o rețea de alimentare cu curent alternativ.

Baterie

- Risc de explozie dacă bateria este înlocuită cu una de tip incorect. Aruncați bateriile uzate în conformitate cu instrucțiunile.
- Bateria încorporată nu poate fi demontată. Vă rugăm să contactați producătorul pentru reparații, dacă este necesar.
- Pentru depozitarea pe termen lung a bateriei, asigurați-vă că aceasta este complet încărcată la fiecare jumătate de an pentru a asigura calitatea bateriei. În caz contrar, pot apărea daune.
- Acest echipament nu este adecvat pentru utilizarea în locații în care este posibil să fie prezenți copii.
- Înlocuirea necorespunzătoare a bateriei cu un tip incorect poate anula o protecție (de exemplu, în cazul unor tipuri de baterii cu litiu).
- NU aruncați bateria în foc sau într-un cuptor încins și nici nu striviți sau tăiați mecanic bateria, deoarece aceasta poate provoca o explozie.
- NU lăsați bateria într-un mediu înconjurător cu temperaturi extrem de ridicate, ceea ce poate duce la o explozie sau la scurgerea de lichid sau gaz inflamabil.
- NU supuneți bateria la o presiune extrem de

scăzută a aerului, care poate duce la o explozie sau la scurgerea de lichid sau gaz inflamabil.

Luminator (dacă este acceptat)



ATENȚIE: Posibilă radiație optică periculoasă emisă de acest produs. NU priviți direct lampa de operare. Poate fi dăunătoare pentru ochi. Purtați protecție pentru ochi adecvată sau NU porniți lumina albă când efectuați lucrări de asamblare, instalare sau întreținere a camerei.

Instalare

- Nu așezați niciodată echipamentul într-un loc instabil. Echipamentul poate cădea, provocând vătămări corporale grave sau chiar moartea.

- Acest echipament este destinat utilizării numai cu suporturile corespunzătoare. Utilizarea cu alte suporturi (cărucioare, picioare de sprijin sau alte suporturi) poate duce la instabilitate și poate provoca vătămări.

Securitatea sistemului

- Recunoașteți că natura internetului implică riscuri de securitate inerente, iar compania noastră nu își asumă nicio responsabilitate pentru funcționarea anormală, scurgerea de informații private sau alte daune rezultate în urma unui atac cibernetic sau a unui atac al hackerilor; cu toate acestea, compania noastră va oferi asistență tehnică în timp util, dacă este necesar.

- Vă rugăm să asigurați protecția informațiilor personale și securitatea datelor, deoarece dispozitivul se poate confrunta cu probleme de securitate a rețelei atunci când este conectat la internet. Vă rugăm să ne contactați în cazul în care dispozitivul ar putea prezenta riscuri de securitate a rețelei.

- Vă rugăm să înțelegeți că aveți responsabilitatea de a configura toate parolele și alte setări de securitate ale dispozitivului și de a vă păstra numele de utilizator și parola.

Întreținere

- În cazul în care produsul nu funcționează corect, vă rugăm să contactați dealerul sau cel mai apropiat centru de service. Nu ne asumăm nicio responsabilitate pentru problemele cauzate de reparații sau întreținere neautorizate.

- Câteva componente ale dispozitivului (de exemplu, condensator electrolitic) necesită înlocuirea regulată. Durata medie de viață variază, deci se recomandă verificarea

periodică. Contactați distribuitorul pentru detalii.

- Ștergeți ușor aparatul cu o cârpă curată și o cantitate mică de etanol, dacă este necesar.

- În cazul în care echipamentul este utilizat într-un mod care nu este specificat de producător, protecția oferită de dispozitiv poate fi afectată.

- Pentru a reduce riscul de incendiu, înlocuiți numai cu siguranță de același tip și cu același curent nominal.

- Portul serial al echipamentului este utilizat doar pentru depanare.

- Deconectați sursa de alimentare în timpul întreținerii.

Utilizarea mediului

- Asigurați-vă că mediul de funcționare îndeplinește cerințele dispozitivului.

Temperatura de funcționare va fi de la -40 °C la 65 °C (de la -40 °F la 149 °F), iar umiditatea de funcționare trebuie să fie de la 5% la 95%, fără condensare.

- NU expuneți dispozitivul la radiații electromagnetice ridicate sau în medii cu praf.

- NU îndreptați obiectivul la soare sau la orice altă lumină strălucitoare.

- Echipamentul nu trebuie să fie expus la picurare sau stropire și nu trebuie să fie așezate pe el obiecte pline cu lichide, cum ar fi vase.

- Nu trebuie plasate pe echipament surse de flacără goală, cum ar fi lumânările aprinse.

- Furnizați un supresor de supratensiune la deschiderea de admisie a echipamentului în condiții speciale, cum ar fi vârful muntelui, turnul de fier și pădurea.



- Arderea degetelor la manipularea pieselor cu acest simbol. Așteptați o jumătate de oră după deconectare înainte de a manipula piesele.

Urgență

- Dacă de la dispozitiv apar fum, miros sau zgomot, opriți imediat alimentarea, deconectați cablul de alimentare și contactați centrul de service.

Adresa de fabricație

No. 555 Qianmo Road, Binjiang District, Hangzhou 310052, China
Hangzhou Hikvision Digital Technology Co., Ltd.

NOTIFICARE DE CONFORMITATE: Produsele din seria termică pot fi supuse controalelor exporturilor în diferite țări sau regiuni, inclusiv, fără limitare, Statele Unite ale Americii, Uniunea Europeană, Regatul Unit și/sau alte țări membre ale Aranjamentului de la Wassenaar. Vă rugăm să consultați expertul

juridic sau de conformitate profesional sau autoritățile administrației locale pentru orice cerințe necesare privind licența de export dacă intenționați să transferați, să exportați, să reexportați produsele din seria termică între diferite țări.

Slovenčina



Vzhlád produktu je len orientačný a môže sa líšiť od skutočného produktu.

Vzhľad (strana 1 – A)

Komponent a kábel

Číslo	Komponent a rozhranie
1	Kamera
2	Solárny fotovoltaický panel
3	Pripájacia konzola
4	Vstup a výstup zvuku
5	Vstup alarmu × 2, výstup alarmu × 2
6	Sieťový kábel
7	Kábel RS-485, napájací kábel

Montáž súpravy kamery (strana 1 – B)

Postup:

- Nainštalujte kameru na pripájaciu konzolu.
 - Uvoľnite a odstráňte skrutky na bočnej strane konzoly a rozoberte základňu.
 - Pripevnite základňu k spodnej časti kamery pomocou dvoch skrutiek HSF UNC1-4-20X12.
 - Zarovnajte otvory na základni s otvormi na konzole a pripevnite základňu ku konzole pomocou skrutiek, ktoré ste predtým odstránili.
- Preveďte dlhšie káble, ako je napájací kábel a kábel RS-485, cez pripájaciu konzolu a obalte ďalšie káble pomocou vodotesnej pásky na utesnenie.
- Nainštalujte batériu do solárneho fotovoltaického panela.

Poznámka: Solárna batéria nie je súčasťou balenia. Zakúpte si ho samostatne.
- Nainštalujte pripájaciu konzolu na solárny panel. Preveďte kábel RS-485 a napájací kábel cez otvory na posuvnom paneli, zarovnajme otvor na pripájacej konzole s otvorom na posuvnom paneli a utiahnutím skrutiek ich pripevnite.
- Uvoľnite a odstráňte skrutky, aby ste rozobrali kryt skrinky s vodičmi.
- Preveďte výstupný kábel solárneho panela a výstupný kábel batérie cez otvory v skrinke s vodičmi a preveďte napájací kábel

a kábel RS-485 kamery cez otvory posuvného panela a skrinky s vodičmi. Pripojte káble a utiahnutím skrutiek nainštalujte kryt skrinky s vodičmi.

Poznámka: Obalte miesto spoja pomocou vodotesnej pásky na utesnenie.

- Zvoľte vhodnú výšku inštalácie súpravy. Vyberte zvislú montážnu tyč, balíček s montážnymi skrutkami a montážny panel a do inštalčných otvorov na zvislej montážnej tyči a montážnom paneli vložte štyri skrutky M12 a utiahnite každú skrutku pomocou plochého tesnenia a dvoch matíc.
- Zaveďte súpravu na montážnu konzolu zvislej tyče a upevnite súpravu pomocou plochých tesnení, pružinových podložiek a matíc.
- Oviňte bezpečnostné lano okolo zvislej tyče a upevnite sponu do západky na bezpečnostnom lane.
- Nastavte uhol solárneho fotovoltaického panela a kamery.

Montáž samostatnej kamery (strana 6 – C)

Montáž na stenu (strana 6 – C.1)

Postup:

- Uvoľnite a odstráňte skrutky na bočnej strane konzoly a rozoberte základňu, potom pripevnite základňu k spodnej časti kamery pomocou dvoch skrutiek UNC1-4.
- Zarovnajte otvory na základni s otvormi na konzole a pripevnite základňu ku konzole pomocou skrutiek, ktoré ste predtým odstránili.
- Vyvrátajte do steny štyri otvory podľa vrtacej šablóny.
- Pripevnite kameru ku stene pomocou rozpinacích hmoždiniek, tesnení a matíc.
- Uvoľnením skrutiek v mieste spoja môžete nastaviť uhol sklonu kamery a uvoľnením skrutiek v spodnej časti základne môžete nastaviť uhol posunu kamery. Po nastavení skrutky utiahnite.

Montáž na tyč (strana 7 – C.2)

- Uvoľnite a odstráňte skrutky na bočnej strane konzoly a rozoberte základňu, potom

- prípevnite základňu k spodnej časti kamery pomocou dvoch skrutiek UNC1-4.
- Zarovnajtie otvory na základni s otvormi na konzole a prípevnite základňu ku konzole pomocou skrutiek, ktoré ste predtým odstránili.
 - Preveďte na konzolu montáže na tyč tri príručné bezpečnostné obruče a upevnite konzolu na tyč.
 - Prípevnite kameru na konzolu montáže na tyč pomocou štyroch skrutiek M4.
 - Uvoľnením skrutiek v mieste spoja môžete nastaviť uhol sklonu kamery a uvoľnením skrutiek v spodnej časti základne môžete nastaviť uhol posunu kamery. Po nastavení skrutky utiahnite.

Vodotesný spôsob (strana 8)

- Nainštalujte vodotesný plášť sieťového kábla (strana 8 – D).
- Pomocou dodanej vodotesnej pásky zaistite káblové konektory a nepoužité káble (strana 8 – E).

Ochranné opatrenia (strana 9 – F – 1)

Aktivácia a prístup k zariadeniu (strana 9 – F – 2)

Návod na používanie



Súlady s regulačnými predpismi a bezpečnostné informácie

Pred použitím zariadenia si pozorne prečítajte všetky informácie a pokyny v tomto dokumente a uschovajte si ho na ďalšie použitie.

Ďalšie informácie o zariadení a pokyny nájdete na našej webovej stránke <https://www.hikvision.com>. Ďalšie informácie získate aj z iných dokumentov (ak existujú) priložených k zariadeniu alebo naskenovaním kódu QR (ak existuje) na obale.

Právne informácie

ODMIETNUTIE ZODPOVEDNOSTI

V MAXIMÁLNOM MOŽNOM ROZSAHU, KTORÝ POVOĽUJÚ PRÍSLUŠNÉ PRÁVNE PREDPISY, SA TÁTO PRÍRUČKA A OPÍSANÝ PRODUKT SPOLU S JEHO HARDVÉROM, SOFTVÉROM A FIRMVÉROM, DODÁVAJÚ V STAVE „AKO

SÚ“ A „SO VŠETKÝMI PORUCHAMI A CHYBAMI“. SPOLOČNOSŤ HIKVISION NEPOSKYTUJE ŽIADNE VÝSLOVNÉ ANI PREDPOKLADANÉ ZÁRUKY, OKREM INÉHO VRÁTANE ZÁRUKY PREDAJNOSTI, USPOKOJIVEJ KVALITY ALEBO VHODNOSTI NA KONKRÉTNY ÚČEL. POUŽÍVANIE PRODUKTU JE NA VAŠE VLASTNÉ RIZIKO. SPOLOČNOSŤ HIKVISION V ŽIADNOM PRÍPADE NENESIE ZODPOVEDNOSŤ ZA ŽIADNE OSOBNÉ, NÁSLEDNÉ, NÁHODNÉ ALEBO NEPRIAME ŠKODY, OKREM INÉHO VRÁTANE ŠKÔD Z UŠLÉHO PODNIKATEĽSKÉHO ZISKU, PRERUŠENIA PODNIKANIA, STRATY ÚDAJOV, POŠKODENIA SYSTÉMOV ALEBO STRATY DOKUMENTÁCIE, ČI UŽ NA ZÁKLADE PORUŠENIA ZMLUVY, PREČINU (VRÁTANE NEDBALOSTI), ZODPOVEDNOSTI ZA PRODUKT ALEBO INAK V SÚVISLOSTI S POUŽÍVANÍM PRODUKTU, A TO ANI V PRÍPADE, AK BOLA SPOLOČNOSŤ HIKVISION UPOZORNENÁ NA MOŽNOSŤ TAKÝCHTO ŠKÔD.

UZŇAVATE, ŽE POVAHA INTERNETU UMOŽŇUJE INHERENTNÉ BEZPEČNOSTNÉ RIZIKÁ A SPOLOČNOSŤ HIKVISION NENESIE ŽIADNU ZODPOVEDNOSŤ ZA NEŠTANDARDNÚ PREVÁDZKU, ÚNIK OSOBNÝCH ÚDAJOV ANI ZA INÉ ŠKODY V DÔSLEDKU KYBERNETICKÉHO ÚTOKU, HAKERSKÉHO ÚTOKU, VÍRUSOVEJ INFEKČIE ALEBO INÝCH BEZPEČNOSTNÝCH RIZÍK SIETE INTERNET; V PRÍPADE POTREBY VŠAK SPOLOČNOSŤ HIKVISION POSKYTNE VČASNÚ TECHNICKÚ PODPORU. SÚHLASÍTE S POUŽÍVANÍM TOHTO PRODUKTU V SÚLADE SO VŠETKÝMI PRÍSLUŠNÝMI ZÁKONMI A NESIETE VÝHRADNÚ ZODPOVEDNOSŤ ZA ZABEZPEČENIE, ABY VAŠE POUŽÍVANIE BOLO V SÚLADE S PRÍSLUŠNÝMI ZÁKONMI. STE OBZVLÁŠŤ ZODPOVEDNÍ ZA POUŽÍVANIE TOHTO PRODUKTU SPÔSOBOM, KTORÝ NEPORUŠUJE PRÁVA TRETÍCH STRÁN, OKREM INÉHO PRÁVA PUBLICITY, PRÁVA DUŠEVNÉHO VLASTNÍCTVA, PRÁVA NA OCHRANU ÚDAJOV A INÉ PRÁVA NA OCHRANU SÚKROMIA. TENTO PRODUKT NESMIETE POUŽÍVAŤ NA ŽIADNE ZAKÁZANÉ ÚČELY VRÁTANE VÝVOJA ALEBO VÝROBY ZBRANÍ HROMADNÉHO NIČENIA, VÝVOJA ALEBO VÝROBY CHEMICKÝCH ALEBO BIOLOGICKÝCH ZBRANÍ, AKÝCHKOLVEK AKTÍVÍ V SÚVISLOSTI S AKOUKOLVEK JADROVOU VÝBUŠNINOU ALEBO NEBEZPEČNÝM CYKLOM JADROVÉHO

PALIVA, ALEBO NA PODPORU ZNEUŽÍVANIA ĽUDSKÝCH PRÁV.

V PRÍPADE AKÉHOKOLVEK NESÚLADU MEDZI TOUTO PRÍRUČKOU A PRÍSLUŠNÝMI PRÁVNÝMI PREDPISMI MAJÚ PREDNOSŤ PRÍSLUŠNÉ PRÁVNE PREDPISY.

Regulačné informácie

Tieto ustanovenia platia len pre produkty s príslušným označením alebo údajom.

Vyhľadanie o zhode s predpismi EÚ

CE Tento produkt a dodané príslušenstvo, ak je to relevantné, sú takisto označené značkou „CE“, takže sú v súlade s príslušnými harmonizovanými európskymi normami uvedenými v smernici 2014/30/EÚ (EMCD), smernici 2014/35/EÚ (LVD), smernici 2011/65/EÚ (RoHS).

Spoločnosť Hangzhou Hikvision Digital Technology Co., Ltd. týmto vyhlasuje, že toto zariadenie (pozrite štítok) je v súlade so smernicou 2014/53/EÚ.

Úplný text vyhlásenia o súlade pre EÚ je k dispozícii na tejto internetovej adrese: <https://www.hikvision.com/en/support/compliance/declaration-of-conformity>.

Frekvenčné pásma a výkon (pre CE)

Frekvenčné pásma a nominálne limity vysielacieho výkonu (vyžarovaný resp. vedený) platné pre nasledujúce rádiové zariadenia sú nasledovné:

Wi-Fi 2,4 GHz (2,4 GHz až 2,4835 GHz): 20 dBm.

Pre model zariadenia: DS-2TD*GLT, DS-2TXS*GLT*.

LTE FDD:

Pásmo 1: 1 920 až 1 980 MHz, 23 dBm, trieda 3;

Pásmo 3: 1 710 až 1 785 MHz, 23 dBm, trieda 3;

Pásmo 5: 824 až 849 MHz, 23 dBm, trieda 3;

Pásmo 7: 2 500 až 2 570 MHz, 23 dBm, trieda 3;

Pásmo 8: 880 až 915 MHz, 23 dBm, trieda 3;

Pásmo 20: 832 až 862 MHz, 23 dBm, trieda 3;

Pásmo 28: 703 až 748 MHz, 23 dBm, trieda 3.

LTE TDD:

Pásmo 38: 2 570 až 2 620 MHz, 23 dBm, trieda 3;

Pásmo 40: 2 300 až 2 400 MHz, 23 dBm, trieda 3;

Pásmo 41: 2 555 až 2 655 MHz, 23 dBm, trieda 3.

WCDMA:

Pásmo 1: 1 920 až 1 980 MHz, 23,5 dBm, trieda 3;

Pásmo 5: 824 až 849 MHz, 23,5 dBm, trieda 3;

Pásmo 8: 880 až 915 MHz, 23,5 dBm, trieda 3.

Pre model zariadenia: DS-2TD*GLT(JP), DS-2TXS*GLT*(JP).

LTE FDD:

Pásmo 1: 1 920 až 1 980 MHz, 23 dBm, trieda 3;

Pásmo 3: 1 710 až 1 785 MHz, 23 dBm, trieda 3;

Pásmo 8: 880 až 915 MHz, 23 dBm, trieda 3;

Pásmo 11: 1 427,9 až 1 452,9 MHz, 23 dBm, trieda 3;

Pásmo 18: 815 až 830 MHz, 23 dBm, trieda 3;

Pásmo 19: 830 až 845 MHz, 23 dBm, trieda 3;

Pásmo 21: 1 447,9 až 1 462,9 MHz, 23 dBm, trieda 3;

Pásmo 26: 814 až 849 MHz, 23 dBm, trieda 3;

Pásmo 28: 703 až 748 MHz, 23 dBm, trieda 3.

LTE TDD:

Pásmo 41: 2 535 až 2 655 MHz, 23 dBm, trieda 3.

WCDMA:

Pásmo 1: 1 920 až 1 980 MHz, 23,5 dBm, trieda 3;

Pásmo 6: 832,4 až 837,6 MHz, 23,5 dBm, tried 3;

Pásmo 8: 880 až 915 MHz, 23,5 dBm, trieda 3;

Pásmo 19: 830 až 845 MHz, 23,5 dBm, trieda 3.

Pre model zariadenia: DS-2TD*GLT(LA), DS-2TXS*GLT*(LA), DS-2TD*GLT(BR), DS-2TXS*GLT*(BR).

LTE FDD:

Pásmo 1: 1 920 až 1 980 MHz, 23 dBm, trieda 3;

Pásmo 2: 1 850 až 1 910 MHz, 23 dBm, trieda 3;

Pásmo 3: 1 710 až 1 785 MHz, 23 dBm, trieda 3;

Pásmo 4: 1 710 až 1 755 MHz, 23 dBm, trieda 3;

Pásmo 5: 824 až 849 MHz, 23 dBm, trieda 3;

Pásmo 7: 2 500 až 2 570 MHz, 23 dBm, trieda 3;

Pásmo 8: 880 až 915 MHz, 23 dBm, trieda 3;

Pásmo 12: 699 až 716 MHz, 23 dBm, trieda 3;

Pásmo 17: 704 až 716 MHz, 23 dBm, trieda 3;
 Pásmo 28: 703 až 748 MHz, 23 dBm, trieda 3;
 Pásmo 66: 1 710 až 1 780 MHz, 23 dBm, trieda 3.

LTE TDD:

Pásmo 38: 2 570 až 2 620 MHz, 23 dBm, trieda 3;

Pásmo 40: 2 300 až 2 400 MHz, 23 dBm, trieda 3.

WCDMA:

Pásmo 1: 1 920 až 1 980 MHz, 23,5 dBm, trieda 3;

Pásmo 2: 1 850 až 1 910 MHz, 23,5 dBm, trieda 3;

Pásmo 3: 1 710 až 1 785 MHz, 23,5 dBm, trieda 3;

Pásmo 5: 824 až 849 MHz, 23,5 dBm, trieda 3;

Pásmo 8: 880 až 915 MHz, 23,5 dBm, trieda 3.

GSM/GPRS/EDGE:

Pásmo GSM850: 850 MHz, 32,5 dBm, trieda 3;

Pásmo GSM900: 900 MHz, 32,5 dBm, trieda 3;

Pásmo DCS1800: 1 800 MHz, 29,5 dBm, trieda 3.

Ak vaše zariadenie bolo dodané bez napájacieho adaptéra, používajte napájací adaptér dodaný kvalifikovaným výrobcom. Podrobné požiadavky na napájanie nájdete v špecifikácii výrobku.

Ak vaše zariadenie bolo dodané bez batérie, používajte batériu dodanú kvalifikovaným výrobcom. Podrobné požiadavky na batériu nájdete v špecifikácii výrobku.

Výstraha: Toto je produkt triedy A. V domácom prostredí môže tento produkt spôsobovať rádiové rušenie, v takom prípade sa od používateľa môže vyžadovať, aby prijal primerané opatrenia.



2012/19/EÚ (smernica o odpade z elektrických a elektronických zariadení): Produkty označené týmto symbolom sa v rámci Európskej únie nesmú likvidovať spolu s netriedeným komunálnym odpadom. Po zakúpení ekvivalentného nového zariadenia zrecyklujte produkt tým, že ho odovzdáte miestnemu dodávateľovi alebo ho zlikvidujete na určených zberných miestach. Ďalšie informácie nájdete na: www.recyclethis.info.



2006/66/ES a príslušné doplnenia 2013/56/EÚ (smernica o batériách): Tento produkt obsahuje batériu, ktorá sa v rámci Európskej únie nesmie

likvidovať spolu s netriedeným komunálnym odpadom. Konkrétne informácie o batérii nájdete v dokumentácii produktu. Batéria je označená týmto symbolom, ktorý môže obsahovať písmená označujúce obsah kadmia (Cd), olova (Pb) alebo ortuti (Hg). Zrecyklujte batériu tým, že ju odovzdáte dodávateľovi alebo ju zlikvidujete na určenom zbernom mieste. Ďalšie informácie nájdete na lokalite: www.recyclethis.info.

Bezpečnostné pokyny

Tieto pokyny slúžia na zabezpečenie správneho použitia produktu používateľom s cieľom predchádzať vzniku nebezpečenstva alebo majetkovým stratám. Pred použitím si pozorne prečítajte všetky bezpečnostné informácie.

Právne predpisy a nariadenia

Zariadenie by sa malo používať v súlade s miestnymi zákonmi, predpismi o elektrickej bezpečnosti a protipožiarными predpismi.

Preprava

- Pri preprave ponechajte zariadenie v pôvodnom alebo podobnom balení.
- Po rozbalení si všetky obaly odložte na budúce použitie. V prípade výskytu poruchy bude potrebné, aby ste zariadenie vrátili do výrobcovi v pôvodnom obale.
- Pri preprave bez pôvodného obalu môže dôjsť k poškodeniu zariadenia a spoločnosť za to nebude niesť žiadnu zodpovednosť.
- Chráňte zariadenie pred pádom alebo nárazom. Zariadenie chráňte pred magnetickým rušením.

Zdroj napájania

- Nabíjačku si zakúpte sami. Vstupné napätie musí spĺňať podmienky veľmi nízkeho napätia (12 V DC) podľa normy IEC62368. Podrobné informácie nájdete v technických špecifikáciách.
- Skontrolujte, či je zástrčka správne pripojená k napájacej zásuvke.
- Zásuvka sa musí nainštalovať v blízkosti zariadenia a musí byť ľahko dostupná.
- K jednému napájaciemu adaptéru NEPRIPÁJAJTE viacero zariadení, aby nedošlo k prehriatiu alebo riziku požiaru v dôsledku preťaženia.
- Po vypnutí ističa sa NEDOTÝKAJTE neizolovaných kovových kontaktov vstupov. Stále je prítomný elektrický prúd.

- + označuje koncovky s kladnou polaritou v prípade zariadenia, s ktorým sa používa alebo ktoré vytvára jednosmerný prúd. – označuje koncovky so zápornou polaritou v prípade zariadenia, s ktorým sa používa alebo ktoré vytvára jednosmerný prúd.

- Zaisťte správne zapojenie koncoviek pri pripojení k prívodu striedavého sieťového napájania.

Batéria

- Riziko výbuchu v prípade výmeny batérie za nesprávny typ. Použitá batéria zlikvidujte podľa príslušných pokynov.

- Zabudovanú batériu nemožno rozoberať. V prípade potreby opravy sa obráťte na výrobcu.

- Pri dlhodobom uskladnení batériu každý polrok úplne nabite, čím zaisťte jej kvalitu. V opačnom prípade môže dôjsť k poškodeniu.

- Toto zariadenie nie je vhodné na používanie na miestach, na ktorých sa môžu vyskytovať deti.

- Pri nevhodnej výmene batérie za nesprávny typ sa môže deaktivovať bezpečnostný prvok (napríklad pri niektorých typoch lítiových batérií).

- Batériu nekladajte do ohňa alebo horúcej rúry ani ju mechanicky nedrviť ani nerezte, pretože by to mohlo spôsobiť výbuch.

- Batériu nenechávajte v prostredí s mimoriadne vysokou teplotou, čo môže viesť k výbuchu alebo úniku horľavých kvapalín alebo plynov.

- Batériu nevystavujte mimoriadne nízkemu tlaku vzduchu, čo môže viesť k výbuchu alebo úniku horľavých kvapalín alebo plynov.

Osvetlenie svetlom (ak je podporované)



POZOR: Tento výrobok môže vyžarovať nebezpečné optické žiarenie. NEPOZERAJTE sa do rozsvieteného zdroja svetla. Môže to poškodiť zrak. Pri montáži, inštalácii alebo údržbe kamery používajte vhodnú ochranu zraku alebo NEZAPÍNAJTE biele svetlo.

Inštalácia

- Zariadenie nikdy neumiestňujte na nestabilné miesto. Zariadenie môže spadnúť, v dôsledku čoho môže dôjsť k vážnemu zraneniu alebo usmrteniu.

- Toto zariadenie je určené na použitie iba s príslušnými držiakmi. V prípade použitia s inými prvkami (vozíky, stojany alebo nosiče) môže dôjsť k nestabilite a možnému zraneniu.

Zabezpečenie systému

- Berte na vedomie, že internetové pripojenie

ako také predstavuje bezpečnostné riziká a naša spoločnosť nepreberá zodpovednosť za nenormálnu činnosť, únik osobných údajov alebo iné škody spôsobené kybernetickým útokom, hackerským útokom, avšak v prípade potreby poskytne naša spoločnosť včasnú technickú podporu.

- Po pripojení zariadenia na internet chráňte osobné údaje, pretože môže dôjsť k ohrozeniu zariadenia v dôsledku problémov so zabezpečením siete. Ak by zariadenie mohlo byť v sieťovom prostredí ohrozené, obráťte sa na výrobcu.

- Upozorňujeme, že ste zodpovední za konfiguráciu všetkých hesiel a ďalších bezpečnostných nastavení zariadenia a za uchovanie používateľského mena a hesla.

Údržba

- Ak produkt nepracuje správne, obráťte sa na predajcu alebo na najbližšie servisné stredisko. Nepreberáme žiadnu zodpovednosť za problémy spôsobené neoprávnenou opravou alebo údržbou.

- Niekoľko komponentov zariadenia (napr. elektrolytický kondenzátor) si vyžaduje pravidelnú výmenu. Priemerná doba životnosti sa líši, preto odporúčame pravidelnú kontrolu. So žiadosťou o ďalšie podrobnosti sa obráťte na predajcu.

- V prípade potreby zariadenie jemne utrite čistou handričkou a malým množstvom etanolu.

- Ak sa zariadenie používa spôsobom, ktorý výrobca neuvádza, môže dôjsť k zníženiu ochrany poskytovanej zariadením.

- S cieľom znížiť riziko požiaru vymeňte poistku len sa poistku rovnakého typu a parametrov.

- Sériový port na zariadení slúži len na servisné účely.

- Počas servisu odpojte zdroj napájania.

Prevádzkové prostredie

- Zabezpečte, aby prevádzkové prostredie spĺňalo požiadavky zariadenia. Prevádzková teplota musí byť -40 °C až 65 °C (-40 °F až 149 °F) a prevádzková vlhkosť musí byť 5 % až 95 % bez kondenzácie.

- Zariadenie NEVYSTAVUJTE silnému elektromagnetickému žiareniu ani prašnému prostrediu.

- Šošovkou NEMIERTE na slnko ani na žiadny iný silný zdroj svetla.

- Zariadenie nesmie byť vystavené kvapkajúcim ani striekajúcim kvapalinám a na zariadenie sa nesmú umiestňovať žiadne predmety naplnené kvapalinou, napríklad vázy.

- Na zariadenie sa nesmú umiestňovať žiadne zdroje otvoreného ohňa, napríklad zapálené sviečky.
- V nezvyčajných podmienkach, napríklad na vrchole hory, na kovovej veži alebo v lese, zabezpečte vstupný otvor zariadenia ochranou proti prepätiu.



- Nebezpečenstvo popálenia prstov pri manipulácii s časťami s uvedeným symbolom. Pred manipuláciou s jednotlivými časťami zariadenie vypnite a počkajte pol hodiny.

Núdzový režim

- Ak zo zariadenia vychádza dym, zápach alebo hluk, ihneď vypnite napájanie, odpojte napájací kábel a obráťte sa na servisné stredisko.

Adresa výrobcu

No. 555 Qianmo Road, Binjiang District,

Hangzhou 310052, Čína
Hangzhou Hikvision Digital Technology Co.,Ltd.

POZNÁMKA O SÚLADE S PREDPISMI:
Produkty z radu teplocitlivých prístrojov môžu podliehať exportnej regulácii v rôznych krajinách alebo regiónoch vrátane napríklad Spojených štátov amerických, Európskej únie, Spojeného kráľovstva prípadne aj krajín Wassenaarskeho usporiadania. Ak máte v úmysle prenášať, exportovať alebo re-exportovať produkty z radu teplocitlivých prístrojov cez hranice medzi rôznymi krajinami, poraďte sa so svojim odborným expertom na legislatívu alebo súlad s predpismi alebo miestnymi úradmi verejnej správy, či existuje povinnosť mať exportné povolenie.

Bahasa Indonesia



Tampilan produk hanya untuk referensi dan dapat berbeda dari tampilan produk yang sebenarnya.

Tampilan (Halaman 1 – A)

Komponen & Kabel

No.	Komponen & Antarmuka
1	Kamera
2	Panel Fotovoltaik Surya
3	Braket Penghubung
4	Audio In, Audio Out
5	Alarm In x 2, Alarm Out x 2
6	Kabel Jaringan
7	RS-485, Kabel Daya

Memasang Kit Kamera (Halaman 1 – B)

Langkah-langkah:

1. Pasang kamera pada braket penghubung.
 - 1) Kendurkan lalu lepas sekrup pada sisi braket untuk membongkar dudukan.
 - 2) Amankan dudukan ke dasar kamera dengan dua sekrup HSF UNC1-4-20X12.
 - 3) Luruskan lubang pada dudukan dengan lubang pada braket lalu amankan dudukan ke braket dengan sekrup yang tadi dilepas.
2. Masukkan kabel yang lebih panjang seperti kabel RS-485 lewat braket penghubung, lalu bungkus kabel lainnya dengan lakban anti air untuk melindunginya.
3. Pasang baterai ke panel fotovoltaik surya.

Catatan: Baterai surya tidak disertakan dalam kemasan. Harap beli secara terpisah.
4. Pasang braket penghubung ke panel surya.

- Masukkan kabel RS-485 dan kabel daya lewat lubang pada panel tukar, luruskan lubang pada braket penghubung dengan lubang pada panel tukar, lalu kencangkan sekrup untuk mengamankannya.
5. Kendurkan dan lepas sekrup untuk membongkar tutup boks.
6. Masukkan kabel output panel surya dan kabel output baterai lewat lubang pada boks kabel, lalu masukkan kabel daya dan kabel RS-485 kamera lewat lubang pada panel tukar dan boks kabel. Sambung kabel lalu kencangkan sekrup untuk memasang kembali tutup boks kabel.

Catatan: Bungkus posisi sambungan dengan lakban anti air untuk melindunginya.

7. Pilih ketinggian yang sesuai untuk memasang kit. Keluarkan dudukan tiang vertikal, paket sekrup dudukan, dan balok dudukan, pasang empat baut ulir M12 lewat lubang pemasangan pada dudukan tiang vertikal dan balok dudukan, kencangkan masing-masing baut dengan paking rata dan dua mur.
8. Kaitkan kit ke braket dudukan tiang vertikal lalu amankan dengan paking rata, ring per, dan mur.
9. Lilitkan tali pengaman pada tiang vertikal lalu kencangkan gespernya.
10. Sesuaikan sudut panel fotovoltaik surya dan kamera.

Memasang Kamera Tunggal (Halaman 6 – C) Dudukan Dinding (Halaman 6 – C.1)

Langkah-langkah:

1. Kendurkan lalu lepas sekrup pada sisi braket untuk membongkar dudukan, kemudian amankan dudukan ke dasar kamera dengan dua sekrup UNC1-4.
2. Luruskan lubang pada dudukan dengan lubang pada braket lalu amankan dudukan ke braket dengan sekrup yang tadi dilepas.
3. Buang empat lubang pada dinding mengikuti pola lubang.
4. Amankan kamera ke dinding dengan baut ekspansi, paking, dan mur.
5. Kendurkan sekrup pada sambungan untuk menyesuaikan sudut kemiringan kamera, lalu kendurkan sekrup pada dasar dudukan untuk menyesuaikan sudut toleh kamera. Kencangkan sekrup setelah penyetelan.

Dudukan Tiang (Halaman 7 – C.2)

1. Kendurkan lalu lepas sekrup pada sisi braket untuk membongkar dudukan, kemudian amankan dudukan ke dasar kamera dengan dua sekrup UNC1-4.
2. Luruskan lubang pada dudukan dengan lubang pada braket lalu amankan dudukan ke braket dengan sekrup yang tadi dilepas.
3. Lilitkan tiga tali pengaman cepat ke braket dudukan tiang lalu amankan dan kunci braket ke tiang.
4. Amankan kamera ke braket dudukan tiang dengan empat sekrup M4.
5. Kendurkan sekrup pada sambungan untuk menyesuaikan sudut kemiringan kamera, lalu kendurkan sekrup pada dasar dudukan untuk menyesuaikan sudut toleh kamera. Kencangkan sekrup setelah penyetelan.

Metode Tahan Air (Halaman 8)

1. Pasang selubung tahan air untuk kabel jaringan (Halaman 8 – D).
2. Gunakan lakban tahan air yang disertakan untuk melindungi konektor kabel dan kabel yang tidak terpakai (Halaman 8 – E).

Langkah Perlindungan (Halaman 9 – F – 1)

Mengaktifkan dan Mengakses Perangkat (Halaman 9 – F – 2)

Panduan Pengguna



Kepatuhan terhadap Peraturan dan Informasi Keselamatan

Baca semua informasi dan petunjuk dalam dokumen ini secara cermat sebelum menggunakan perangkat dan simpan jika sewaktu-waktu dibutuhkan. Untuk informasi dan petunjuk lain tentang perangkat, kunjungi situs web kami di <https://www.hikvision.com>. Lihat dokumen lain (jika ada) yang menyertai perangkat atau pindai kode QR (jika ada) pada kemasan untuk memperoleh informasi lain.

Informasi Hukum

PENAFIAN

SEPANJANG DIPERBOLEHKAN OLEH PERATURAN YANG BERLAKU, MANUAL INI DAN PRODUK YANG DIJELASKAN, BESERTA PERANGKAT KERAS, PERANGKAT LUNAK, DAN FIRMWARE, DISEDIAKAN "SEPERTI ADANYA" DAN "DENGAN SEMUA CACAT DAN KESALAHAN". HIKVISION TIDAK MEMBERIKAN JAMINAN TERSURAT ATAUPUN TERSIRAT, TERMASUK TIDAK TERBATAS PADA, JAMINAN KOMERSIAL, KUALITAS MEMUASKAN, ATAUPUN KECOCOKAN UNTUK TUJUAN TERTENTU. PENGGUNAAN PRODUK OLEH ANDA ADALAH ATAS RISIKO ANDA SENDIRI. DALAM SEGALA HAL, HIKVISION TIDAK BERTANGGUNG JAWAB KEPADA ANDA ATAS KERUSAKAN KHUSUS, IKUTAN, INSIDENTIL, ATAU TIDAK LANGSUNG, TERMASUK, ANTARA LAIN, KERUGIAN AKIBAT HILANGNYA LABA USAHA, TERGANGGUNYA USAHA, ATAU HILANGNYA DATA, KERUSAKAN SISTEM, ATAU HILANGNYA DOKUMEN, BAIK BERDASARKAN PELANGGARAN ATAS KONTRAK, TINDAKAN MELAWAN HUKUM (TERMASUK KELALAIAN), KEWAJIBAN PRODUK, ATAU LAINNYA, TERKAIT PENGGUNAAN PERANGKAT LUNAK, MESKIPUN HIKVISION SUDAH DIBERITAHU ADANYA POTENSI KERUSAKAN ATAU KERUGIAN SEMACAM ITU.

ANDA MENGAKUI BAHWA SIFAT INTERNET MENGHADIRKAN RISIKO KEAMANAN TIDAK TERLIHAT, DAN HIKVISION TIDAK

BERTANGGUNG JAWAB ATAS ABNORMALITAS PENGOPERASIAN, KEBOCORAN PRIVASI, ATAU KERUSAKAN LAIN AKIBAT SERANGAN SIBER, SERANGAN PERETAS, INFEKSI VIRUS, DAN RISIKO KEAMANAN INTERNET LAINNYA; AKAN TETAPI, HIKVISION AKAN MENYEDIAKAN DUKUNGAN TEKNIS SECARA BERKALA JIKA DIBUTUHKAN.


ANDA SETUJU UNTUK MENGGUNAKAN PRODUK INI DENGAN MEMATUHI SEMUA PERATURAN YANG BERLAKU DAN ANDA SECARA PRIBADI BERTANGGUNG JAWAB MEMASTIKAN PENGGUNAAN OLEH ANDA MEMATUHI PERATURAN YANG BERLAKU. SECARA KHUSUS, ANDA BERTANGGUNG JAWAB MENGGUNAKAN PRODUK DENGAN CARA YANG TIDAK MELANGGAR HAK-HAK PIHAK KETIGA, TERMASUK TANPA BATASAN PADA, HAK PUBLISITAS, HAK KEKAYAAN INTELEKTUAL, ATAU PERLINDUNGAN DATA DAN HAK PRIVASI LAINNYA. ANDA DILARANG MENGGUNAKAN PRODUK UNTUK PENGGUNAAN AKHIR YANG DILARANG, TERMASUK PENGEMBANGAN ATAU PRODUKSI SENJATA PEMUSNAH MASSAL, PENGEMBANGAN ATAU PRODUKSI SENJATA KIMIA ATAU BIOLOGIS, AKTIVITAS YANG BERHUBUNGAN DENGAN BAHAN PELEDAK NUKLIR ATAU DAUR BAHAN BAKAR NUKLIR SECARA TIDAK AMAN ATAU UNTUK MENDUKUNG PELANGGARAN HAK ASASI MANUSIA.

JIKA TERJADI PERTENTANGAN ANTARA MANUAL INI DAN PERATURAN YANG BERLAKU, YANG DISEBUT TERAKHIR DIPRIORITASKAN.

Informasi Terkait Peraturan

Klausul ini hanya berlaku untuk produk yang memuat tanda atau informasi yang sesuai.

Pernyataan Kepatuhan UE

 Produk ini dan - jika berlaku - juga aksesorinya yang disediakan mencantumkan tanda "CE" dan oleh karena itu mematuhi standar Eropa yang diharmonisasi dan berlaku berdasarkan Direktif 2014/30/UE (EMCD), Direktif 2014/35/UE (LVD), Direktif 2011/65/UE (RoHS).

Dengan ini, Hangzhou Hikvision Digital Technology Co., Ltd. menyatakan bahwa perangkat ini (lihat label) mematuhi Direktif 2014/53/UE.

Teks lengkap deklarasi kesesuaian UE tersedia di alamat internet berikut: <https://www.hikvision.com/en/support/compliance/declaration-of-conformity>.

Pita frekuensi dan Daya (untuk CE)

Pita frekuensi dan batas nominal daya transmisi (radiasi dan/atau konduksi) yang berlaku untuk peralatan radio berikut adalah sebagai berikut:

Wi-Fi 2,4 GHz (2,4 GHz hingga 2,4835 GHz): 20 dBm.

Untuk Peralatan Model: DS-2TD*GLT, DS-2TXS*GLT*.

LTE FDD:

Pita 1: 1920 hingga 1980 MHz, 23 dBm, kelas 3;
Pita 3: 1710 hingga 1785 MHz, 23 dBm, kelas 3;
Pita 5: 824 hingga 849 MHz, 23 dBm, kelas 3;
Pita 7: 2500 hingga 2570 MHz, 23 dBm, kelas 3;
Pita 8: 880 hingga 915 MHz, 23 dBm, kelas 3;
Pita 20: 832 hingga 862 MHz, 23 dBm, kelas 3;
Pita 28: 703 hingga 748 MHz, 23 dBm, kelas 3.

LTE TDD:

Pita 38: 2570 hingga 2620 MHz, 23 dBm, kelas 3;
Pita 40: 2300 hingga 2400 MHz, 23 dBm, kelas 3;
Pita 41: 2555 hingga 2655 MHz, 23 dBm, kelas 3.

WCDMA:

Pita 1: 1920 hingga 1980 MHz, 23,5 dBm, kelas 3;
Pita 5: 824 hingga 849 MHz, 23,5 dBm, kelas 3;
Pita 8: 880 hingga 915 MHz, 23,5 dBm, kelas 3.

Untuk Peralatan Model: DS-2TD*GLT(JP), DS-2TXS*GLT*(JP).

LTE FDD:

Pita 1: 1920 hingga 1980 MHz, 23 dBm, kelas 3;
Pita 3: 1710 hingga 1785 MHz, 23 dBm, kelas 3;
Pita 8: 880 hingga 915 MHz, 23 dBm, kelas 3;
Pita 11: 1427,9 hingga 1452,9 MHz, 23 dBm, kelas 3;
Pita 18: 815 hingga 830 MHz, 23 dBm, kelas 3;
Pita 19: 830 hingga 845 MHz, 23 dBm, kelas 3;
Pita 21: 1447,9 hingga 1462,9 MHz, 23 dBm, kelas 3;
Pita 26: 814 hingga 849 MHz, 23 dBm, kelas 3;
Pita 28: 703 hingga 748 MHz, 23 dBm, kelas 3.

LTE TDD:

Pita 41: 2535 hingga 2655 MHz, 23 dBm, kelas 3.

WCDMA:

Pita 1: 1920 hingga 1980 MHz, 23,5 dBm, kelas 3;
 Pita 6: 832,4 hingga 837,6 MHz, 23,5 dBm, kelas 3;
 Pita 8: 880 hingga 915 MHz, 23,5 dBm, kelas 3;
 Pita 19: 830 hingga 845 MHz, 23,5 dBm, kelas 3.

Untuk Peralatan Model: DS-2TD*GLT(LA), DS-2TXS*GLT*(LA), DS-2TD*GLT(BR), DS-2TXS*GLT*(BR).

LTE FDD:

Pita 1: 1920 hingga 1980 MHz, 23 dBm, kelas 3;
 Pita 2: 1850 hingga 1910 MHz, 23 dBm, kelas 3;
 Pita 3: 1710 hingga 1785 MHz, 23 dBm, kelas 3;
 Pita 4: 1710 hingga 1755 MHz, 23 dBm, kelas 3;
 Pita 5: 824 hingga 849 MHz, 23 dBm, kelas 3;
 Pita 7: 2500 hingga 2570 MHz, 23 dBm, kelas 3;
 Pita 8: 880 hingga 915 MHz, 23 dBm, kelas 3;
 Pita 12: 699 hingga 716 MHz, 23 dBm, kelas 3;
 Pita 17: 704 hingga 716 MHz, 23 dBm, kelas 3;
 Pita 28: 703 hingga 748 MHz, 23 dBm, kelas 3;
 Pita 66: 1710 hingga 1780 MHz, 23 dBm, kelas 3.

LTE TDD:

Pita 38: 2570 hingga 2620 MHz, 23 dBm, kelas 3;
 Pita 40: 2300 hingga 2400 MHz, 23 dBm, kelas 3.

WCDMA:

Pita 1: 1920 hingga 1980 MHz, 23,5 dBm, kelas 3;
 Pita 2: 1850 hingga 1910 MHz, 23,5 dBm, kelas 3;
 Pita 3: 1710 hingga 1785 MHz, 23,5 dBm, kelas 3;
 Pita 5: 824 hingga 849 MHz, 23,5 dBm, kelas 3;
 Pita 8: 880 hingga 915 MHz, 23,5 dBm, kelas 3.
 GSM/GPRS/EDGE:
 Pita GSM850: 850 MHz, 32,5 dBm, kelas 3;
 Pita GSM900: 900 MHz, 32,5 dBm, kelas 3;
 Pita DCS1800: 1800 MHz, 29,5 dBm, kelas 3.

Untuk perangkat tanpa adaptor daya yang disertakan, gunakan adaptor daya yang disediakan oleh produsen yang memiliki kualifikasi. Baca spesifikasi produk untuk mengetahui tentang persyaratan daya secara detail.

Untuk perangkat tanpa baterai yang disertakan, gunakan baterai yang disediakan oleh produsen yang memiliki kualifikasi. Baca spesifikasi produk untuk mengetahui tentang persyaratan baterai secara detail.

Peringatan: Produk ini merupakan produk kelas A. Di lingkungan rumah tinggal, produk ini dapat menimbulkan interferensi radio, dalam kondisi tersebut pengguna mungkin diharuskan untuk mengambil langkah-langkah yang memadai.



2012/19/UE (WEEE directive): Produk yang bertanda simbol ini tidak boleh dibuang sebagai sampah umum yang tidak disortir di wilayah Uni Eropa.

Agar dapat didaur ulang sesuai ketentuan, kembalikan produk ini ke toko terdekat saat Anda membeli peralatan pengganti yang baru, atau buang pada titik pengumpulan yang ditentukan. Untuk informasi lebih lengkap, kunjungi: www.recyclethis.info.



2006/66/EC dan amendemennya 2013/56/UE (ketentuan baterai):

Produk ini berisi baterai yang tidak boleh dibuang sebagai sampah umum yang tidak disortir di wilayah Uni Eropa. Lihat dokumentasi produk untuk informasi spesifik tentang baterai. Baterai ini ditandai dengan simbol ini, yang mungkin disertai huruf untuk menandakan kadmium (Cd), timbal (Pb), atau merkuri (Hg). Agar dapat didaur ulang sesuai ketentuan, kembalikan baterai ke toko atau titik pengumpulan yang ditentukan. Untuk informasi lebih lengkap, kunjungi: www.recyclethis.info.

Petunjuk Keselamatan

Instruksi ini ditujukan untuk memastikan pengguna dapat menggunakan produk dengan benar dan menghindari bahaya atau kerugian materiil. Baca semua informasi keselamatan dengan teliti sebelum menggunakan perangkat.

Undang-Undang dan Peraturan

Perangkat harus digunakan sesuai dengan undang-undang setempat, peraturan keselamatan kelistrikan, dan peraturan terkait pencegahan kebakaran.

Transportasi

- Kemasan perangkat dalam kemasan aslinya atau yang serupa saat memindahkannya.
- Simpan wadah setelah perangkat dikeluarkan untuk digunakan lagi jika perlu. Kembalikan perangkat yang mengalami kegagalan apa pun ke pabrik dalam wadah aslinya.
- Perangkat yang diangkat tanpa wadah aslinya dapat mengalami kerusakan dan perusahaan tidak bertanggung jawab atas hal tersebut.
- Jangan menjatuhkan produk atau

membuatnya terkena guncangan fisik. Jauhkan perangkat dari interferensi magnetis.

Catu Daya

- Silakan membeli pengecas sendiri. Voltase input harus memenuhi ketentuan Sumber Daya Terbatas (12 VDC) sesuai standar IEC62368. Silakan lihat spesifikasi teknis untuk informasi terperinci.
- Pastikan steker terhubung dengan benar ke soket daya.
- Pasang lubang stopkontak di dekat peralatan dan di lokasi yang mudah dijangkau.
- JANGAN menghubungkan beberapa perangkat ke satu adaptor daya, untuk menghindari panas berlebih atau bahaya kebakaran karena muatan berlebih.
- JANGAN menyentuh kontak logam terbuka pada inlet setelah pemutus arus dimatikan. Aliran listrik masih ada.
- + menandai terminal positif peralatan yang digunakan dengan, atau menghasilkan arus searah. - menandai terminal negatif peralatan yang digunakan dengan, atau menghasilkan arus searah.

- Pastikan sambungan kabel terminal yang akan dihubungkan ke sumber arus AC sudah benar.

Baterai

- Risiko ledakan jika baterai diganti dengan jenis yang salah. Buang baterai bekas sesuai petunjuk.
- Baterai bawaan tidak boleh dibongkar. Harap menghubungi produsen untuk perbaikan jika perlu.
- Untuk penyimpanan jangka panjang, pastikan baterai terisi penuh setiap setengah tahun untuk memastikan kualitasnya. Jika tidak, bisa terjadi kerusakan.
- Peralatan ini tidak cocok untuk digunakan di lokasi anak-anak beraktivitas.
- Penggantian baterai yang tidak tepat dengan baterai dari jenis yang salah dapat memengaruhi keamanan (misalnya, untuk beberapa jenis baterai litium).
- Jangan membuang baterai ke dalam api atau oven panas, atau menghancurkan atau memotongnya secara mekanis, karena dapat menyebabkan ledakan.
- Jangan meletakkan baterai di lingkungan yang bersuhu sangat tinggi, karena dapat menyebabkan ledakan atau kebocoran cairan atau gas yang mudah terbakar.
- Jangan membiarkan baterai terpapar tekanan udara yang sangat rendah, karena dapat menyebabkan ledakan atau kebocoran cairan atau gas yang mudah terbakar.

Illuminator Cahaya (Jika didukung)



PERHATIAN: Radiasi optik yang mungkin berbahaya dipancarkan oleh produk ini. JANGAN menatap lampu yang sedang beroperasi. Dapat membahayakan mata. Kenakan perlindungan mata yang baik atau JANGAN menghidupkan cahaya putih saat Anda merakit, memasang, atau merawat kamera.

Pemasangan

- Jangan memasang peralatan ini di lokasi yang tidak stabil. Peralatan dapat terjatuh dan menyebabkan cedera serius hingga kematian.
- Gunakan peralatan ini dengan braket yang ditentukan saja. Penggunaan dengan alat lain (kereta dorong, meja, atau tas pengangkut) dapat menyebabkan peralatan jatuh dan menyebabkan cedera.

Keamanan Sistem

- Anda mengakui bahwa sifat Internet menghadirkan risiko keamanan yang melekat, dan perusahaan kami tidak bertanggung jawab atas abnormalitas pengoperasian, kebocoran privasi, atau kerusakan lain akibat serangan siber, serangan peretas, namun, perusahaan kami akan menyediakan dukungan teknis secara berkala jika dibutuhkan.
- Terapkan perlindungan informasi pribadi dan keamanan data karena perangkat dapat mengalami masalah keamanan jaringan saat terhubung ke internet. Hubungi kami jika perangkat berpotensi mengalami risiko keamanan jaringan.
- Harap dipahami bahwa Anda bertanggung jawab untuk mengkonfigurasi semua kata sandi dan setelah keamanan lainnya terkait perangkat, serta menyimpan nama pengguna dan kata sandi Anda.

Pemeliharaan


- Jika produk tidak berfungsi dengan baik, hubungi dealer atau pusat servis terdekat. Kami tidak bertanggung jawab atas masalah yang disebabkan oleh perbaikan atau perawatan yang tidak resmi.
- Beberapa komponen perangkat (mis., kapasitor elektrolitik) harus diganti secara rutin. Masa pakai rata-rata bervariasi, jadi disarankan melakukan pemeriksaan periodik. Hubungi dealer Anda untuk informasi selengkapnyanya.
- Usap perangkat secara lembut dengan kain bersih dan sedikit etanol, jika diperlukan.

- Jika perangkat digunakan dengan cara yang tidak sesuai dengan yang ditetapkan produsen, perlindungan dari perangkat mungkin tidak berfungsi maksimal.
- Untuk mengurangi risiko kebakaran, hanya ganti sekering dengan tipe dan rating yang sama.
- Gunakan port seri peralatan untuk debugging saja.
- Lepaskan sambungan listrik saat melakukan servis.

Lingkungan Penggunaan

- Pastikan lingkungan tempat beroperasi memenuhi ketentuan perangkat. Temperatur pengoperasian harus antara -40 °C hingga 65 °C (-40 °F hingga 149 °F), dan kelembapan operasional harus antara 5% hingga 95%, tanpa kondensasi.
- JANGAN membiarkan perangkat terpapar radiasi elektromagnetik atau lingkungan yang berdebu.
- JANGAN mengarahkan lensa ke matahari atau cahaya terang lainnya.
- Lindungi peralatan dari tetesan atau cipratan dan jangan menaruh benda berisi cairan, misalnya vas, di atas peralatan.
- Jangan menempatkan sumber nyala terbuka, misalnya lilin, di atas peralatan.
- Sediakan penekan lonjakan pada bukaan inlet peralatan dalam kondisi khusus, seperti

puncak gunung, menara besi, dan hutan.

-  Jari yang terbakar saat menangani komponen dengan simbol. Tunggu satu setengah jam setelah peralatan dimatikan sebelum menangani komponen.

Darurat


- Jika muncul asap, bau, atau derau dari perangkat, segera matikan perangkat, cabut kabel daya, lalu hubungi pusat servis.

Alamat Produsen

Jalan Qianmo, No.555, Distrik Binjiang, Hangzhou 310052, Tiongkok
Hangzhou Hikvision Digital Technology Co.,Ltd.

PENGUMUMAN KEPATUHAN: Produk seri termal ini mungkin tunduk pada kontrol ekspor di berbagai negara atau kawasan, termasuk tak terbatas, Amerika Serikat, Uni Eropa, dan/atau negara-negara lain anggota Kesepakatan Wassenaar. Hubungi ahli hukum atau kepatuhan profesional atau otoritas pemerintah setempat untuk persyaratan lisensi impor yang dibutuhkan jika Anda bermaksud mentransfer, mengeksport, mengeksport kembali produk seri termal antar negara.



 ပစ္စည်း ပုံသဏ္ဍာန်သည် ကိုးကားရန်အတွက်သာဖြစ်ပြီး ကုန်ပစ္စည်းအစစ်နှင့် ကွဲပြားမှု ရှိနိုင်ပါသည်။
ပုံပန်း သဏ္ဍာန် (စာ 1 – A)
အစိတ်အပိုင်းနှင့် ကေဘယ်ကြိုး

နံပါတ်	အစိတ်အပိုင်းများနှင့် အင်တာဖေ့စ်
1	ကင်မရာ
2	လျှပ်စစ်ဗို့အားထုတ် ဆိုလာပြား
3	ချိတ်ဆက်ကွင်း
4	အသံအဝင်၊ အသံအထွက်
5	သတိပေးချက်အဝင် × 2၊ သတိပေးချက်အထွက် × 2
6	ကွန်ရက်ကြိုး
7	RS-485၊ ပါဝါကေဘယ်

ကင်မရာပစ္စည်းစုံ တပ်ဆင်ခြင်း (စာမျက်နှာ 1 – B)
အဆင့်များ-

1. ချိတ်ဆက်ကွင်းပေါ်တွင် ကင်မရာတပ်ပါ။
 - 1) ချိတ်ဆက်ကွင်း၏ ဘေးဘက်မှ ဝက်အူများကို ဖြုတ်ပြီး အောက်ခံကိုဖြုတ်ပါ။
 - 2) အောက်ခံနှင့် ကင်မရာအောက်ခြေကို HSF UNC1-4-20X12 ဝက်အူ နှစ်ချောင်းဖြင့်စုပ်ပါ။
 - 3) အောက်ခံပါ အပေါက်များကို ချိတ်ဆက်ကွင်းပါ အပေါက်များနှင့်ချိန်ပြီး အောက်ခံနှင့် ချိတ်ဆက်ကွင်းကို ယခင်ဖြုတ်ခဲ့သည့် ဝက်အူဖြင့်စုပ်ပါ။
2. ပါဝါကေဘယ်နှင့် RS-485 ကေဘယ်ကြိုးလို့ ပိုရှည်သည့်ကြိုးများကို ချိတ်ဆက်ကွင်းအတွင်း လျှို့ဝှက်ပြီး အခြားကေဘယ်ကြိုးများကို ရေစိုခံတိပ် ပတ်ထားပါ။
3. လျှပ်စစ်ဗို့အားထုတ် ဆိုလာပြားတွင်

ဘက်ထရီတပ်ဆင်ပါ။

မှတ်ချက်- ပါကင်ဘူးထဲတွင် ဆိုလာဘက်ထရီကို ထည့်ပေးမထားပါ။ ယင်းကို ကျေးဇူးပြု၍သီးခြား ဝယ်ပါ။

- 4. ချိတ်ဆက်ကွင်းကို ဆိုလာပြားတွင် တပ်ပါ။ RS-485 နှင့် ပါဝါကေဘယ်ကြိုးကို ရှစ်ဖ်ပြားပေါ်မှ အပေါက်များမှ လျှိုသွင်းပြီး ချိတ်ဆက်ကွင်းပါ အပေါက်နှင့် ရှစ်ဖ်ပြားပါ အပေါက်တို့ကိုချိန်၍ ဝက်အူဖြင့်စုပ်ပါ။
- 5. ဝါယာပုံးအဖုံးကို ဖြုတ်ရန်အတွက် ဝက်အူများကို လှည့်ဖြုတ်ပါ။
- 6. ဆိုလာပြားမှ အထွက်ကြိုးနှင့် ဘက်ထရီ အထွက်ကြိုးတို့ကို ဝါယာပုံးပါ အပေါက်များမှ လျှိုသွင်းပြီး ကင်မရာ၏ ပါဝါကေဘယ်နှင့် RS-485 ကေဘယ်တို့ကို ရှစ်ဖ်ပြားနှင့် ဝါယာပုံးတို့မှ အပေါက်များမှ လျှိုထုတ်ပါ။ ကေဘယ်ကြိုးများချိတ်ပြီး ဝါယာပုံးအဖုံးကို ဝက်အူစုပ် တပ်ဆင်ပါ။

မှတ်ချက်- အဆက်နေရာကို ရေလုံတိပ်ပတ်ထားပါ။

- 7. ပစ္စည်းအစုံကို တပ်ဆင်ရန် အဆင်ပြေမည့်နေရာ ရွေးချယ်ပါ။ ထောက်တိုင်အထိန်း၊ ထိုအထိန်းအတွက် ဝက်အူထုပ်နှင့် ထောက်တိုင်တို့ကို ထုတ်ပြီးနောက် ထောက်တိုင်နှင့် အထိန်းတို့ကို M12 ဝက်အူလေးချောင်းစုပ်၍ ဝက်အူတစ်ချောင်းစီကို ဂတ်စကတ်ပြားနှင့် မူလီနတ်နှစ်လုံးစီဖြင့် ချုပ်ထားပါ။
- 8. ကိရိယာကို ထောက်တိုင်အထိန်းကွင်းတွင် ချိတ်ပြီးနောက် ဂတ်စကတ်ပြား၊ စပရိတ်ဝါရာနှင့် မူလီနတ်များဖြင့် ချုပ်ထားပါ။
- 9. ထောက်တိုင်တစ်ဝိုက် ဘေးကင်းရေးကြိုး ပတ်ပြီးနောက် ထောက်တိုင်တွင် အထိန်းချိတ် ချိတ်ထားပါ။
- 10. ဆိုလာ PV ပြားနှင့် ကင်မရာ၏ ထောင့်ဒီဂရီကို ချိန်ညှိပေးပါ။

ကင်မရာတစ်လုံးတပ်ဆင်ခြင်း (စာမျက်နှာ 6 - C)

နံရံတွင်တပ်ဆင်ခြင်း (စာမျက်နှာ 6 - C.1)

အဆင့်များ-

- 1. ချိတ်ဆက်ကွင်းဘေးခြမ်းမှ ဝက်အူများကိုဖြုတ်၍ အောက်ခံကိုခွာပြီးနောက် အောက်ခံနှင့် ကင်မရာအောက်ခြေကို UNCL1-4 ဝက်အူ နှစ်ချောင်းဖြင့်စုပ်ပါ။
- 2. အောက်ခံပါ အပေါက်များကို ချိတ်ဆက်ကွင်းပါ အပေါက်များနှင့်ချိန်ပြီး အောက်ခံနှင့် ချိတ်ဆက်ကွင်းကို ယခင်ဖြုတ်ခဲ့သည့် ဝက်အူဖြင့်စုပ်ပါ။
- 3. တပ်ဆင်ပလိတ်ပြား ပုံစံနှင့်အညီ နံရံတွင် အပေါက်လေးပေါက် ဖောက်ထားပါ။
- 4. ကင်မရာကို တိုးချဲ့ဝက်အူ၊ ဂတ်စကတ်နှင့် မူလီနတ်များဖြင့် နံရံတင်စုပ်ထားပါ။
- 5. အဆက်မှ ဝက်အူများလျှော့ပြီး ကင်မရာစောင်းသည့် ထောင့်ဒီဂရီကို ချိန်ညှိနိုင်သလို အောက်ခြေမှ ဝက်အူများကိုလျှော့၍ ကင်မရာချိန်သည့် ထောင့်ဒီဂရီကို ချိန်ညှိနိုင်သည်။ ချိန်ပြီးသည့်အခါတွင် ဝက်အူများကို ကြပ်ပါ။

ထောက်တိုင်ထိန်း (စာမျက်နှာ 7 - C.2)

- 1. ချိတ်ဆက်ကွင်းဘေးခြမ်းမှ ဝက်အူများကိုဖြုတ်၍ အောက်ခံကိုခွာပြီးနောက် အောက်ခံနှင့် ကင်မရာအောက်ခြေကို UNCL1-4 ဝက်အူ နှစ်ချောင်းဖြင့်စုပ်ပါ။
- 2. အောက်ခံပါ အပေါက်များကို ချိတ်ဆက်ကွင်းပါ အပေါက်များနှင့်ချိန်ပြီး အောက်ခံနှင့် ချိတ်ဆက်ကွင်းကို ယခင်ဖြုတ်ခဲ့သည့် ဝက်အူဖြင့်စုပ်ပါ။
- 3. ထောက်တိုင်ထိန်းကို အချုပ်ကွင်းသုံးကွင်း ထိုးပြီးနောက် အထိန်းကို ထောက်တိုင်တွင်ချုပ်ပါ။
- 4. ကင်မရာကို ထောက်တိုင်ကွင်းပေါ်တွင် M4 ဝက်အူလေးချောင်းဖြင့်စုပ်ပါ။
- 5. အဆက်မှ ဝက်အူများလျှော့ပြီး ကင်မရာစောင်းသည့် ထောင့်ဒီဂရီကို ချိန်ညှိနိုင်သလို အောက်ခြေမှ ဝက်အူများကိုလျှော့၍ ကင်မရာချိန်သည့်

ထောင့်ဒီဂရီကို ချိန်ညှိနိုင်သည်။
ချိန်ပြီးသည့်အခါတွင် ဝက်အူများကို ကြပ်ပါ။

ရေစိုခံနည်းလမ်း (စာမျက်နှာ 8)

1. ကွန်ရက်ကြိုးကို ရေလုံတိပ်ပတ်ပါ
(စာမျက်နှာ 8 - D)
2. ပေးထားသော ရေလုံတိပ်ကို အသုံးပြု၍
ကြိုးခေါင်းများနှင့် မသုံးရသေးသော ကြိုးများကို
ကာကွယ်ထားပါ။ (စာမျက်နှာ 8 - E)

ကာကွယ်မှု နည်းလမ်းများ (စာမျက်နှာ 9 - F - 1)

ကိရိယာကို စတင် ကိုင်တွယ်ခြင်း

(စာမျက်နှာ 9 - F - 2)

သုံးစွဲသူလက်စွဲ



စည်းမျဉ်းစည်းကမ်း လိုက်နာရန်နှင့် ဘေးကင်းရေး အချက်အလက်

စက်ကိုအသုံးမပြုမီ ဤစာရွက်စာတမ်းရှိ အချက်အလက်နှင့် ညွှန်ကြားချက်အားလုံးကို သေချာဖတ်ပြီး နောင်တွင် ကိုးကားရန်အတွက် သိမ်းဆည်းထားပါ။

စက်ဆိုင်ရာ အချက်အလက်နှင့် ညွှန်ကြားချက်များကို ပိုမိုသိရှိလိုပါက၊ ကျွန်ုပ်တို့၏ ဝက်ဘ်ဆိုက်ဖြစ်သော <https://www.hikvision.com> သို့

ဝင်ရောက်ကြည့်ရှုပါ။ စက်နှင့်အတူပါရှိသော အခြားစာရွက်စာတမ်းများ (ရုံပါက) ကိုလည်း ကိုးကားနိုင်သည်။ သို့မဟုတ် အချက်အလက်ပိုမိုရရှိရန် ထုပ်ပိုးမှုတွင် QR ကုဒ် (ရုံပါက) စကန်ဖတ်နိုင်သည်။

ဥပဒေဆိုင်ရာ အချက်အလက်များ

ငြင်းဆိုချက်

အကျိုးဝင်သည့် သက်ဆိုင်သောဥပဒေက ခွင့်ပြုထားသည့် အမြင့်ဆုံး အတိုင်းအတာဖြင့် ဤလက်စွဲစာအုပ်နှင့် ဖော်ပြထားသော ထုတ်ကုန်ကို ၎င်း၏ စက်ပစ္စည်းများ၊ ဆော့ဖ်ဝဲနှင့် ဖမ်းဝဲများနှင့်အတူ "ယင်းအတိုင်း" နှင့်

"အမှားအယွင်းများအားလုံးနှင့်အတူ" ဖော်ပြထားသည်။ HIKVISION သည် ကန့်သတ်မှု ကုန်သွယ်နိုင်စွမ်း၊ ကျေနပ်လောက်ဖွယ် အရည်အသွေး၊ သို့မဟုတ် သီးခြားရည်ရွယ်ချက် တစ်စုံတစ်ခုအတွက် ကြံ့ခိုင်မှုများ မရှိခြင်း အပါအဝင် မည်သည့် အာမခံချက်များကို အတိအလင်း ဖြစ်စေ သွယ်ဝိုက်၍ ဖြစ်စေ ပေးထားခြင်း မရှိပါ။ ကုန်ပစ္စည်းအား အသုံးပြုပါက သင့်ဘာသာသင် တာဝန်ယူ ရမည်။ မည်သည့်အခြေအနေတွင်မဆို စာချုပ်ချိုးဖောက်မှုကြောင့်ဖြစ်စေ၊ အကျိုးပျက်စီး၍ဖြစ်စေ (ပေါ့လျော့မှု အပါအဝင်)၊ ထုတ်ကုန်ပစ္စည်း ပြဿနာ ကြောင့်ဖြစ်စေ၊ သို့မဟုတ်ပါက ဤထုတ်ကုန်ပစ္စည်းအား အသုံးပြုမှုကြောင့် ဖြစ်စေ စီးပွားရေးလုပ်ငန်း အကျိုးအမြတ် ဆုံးရှုံးမှု၊ သို့မဟုတ် အချက်အလက် ဆုံးရှုံးမှု၊ ဝန်ဆောင်မှုများ ယိုယွင်းပျက်စီးမှု၊ သို့မဟုတ် စာရွက်စာတမ်း ပျက်စီး ပျောက်ဆုံးမှုကြောင့် ထိခိုက်မှုများ အပါအဝင် အထူးတလည်၊ အကျိုးဆက်စပ်၍ မတော်တဆ သို့မဟုတ် တိုက်ရိုက် ထိခိုက်မှုများအတွက် ထိထိခိုက်မှု သို့မဟုတ် ဆုံးရှုံးမှုများအကြောင်း HIKVISION အား အကြံပြု အသိပေးပြီး ဖြစ်စေကာမူ HIKVISION မှ တာဝန်ယူမည် မဟုတ်ပါ။

အင်တာနက် သဘောသဘာဝအရ တည်ရှိဆဲ လုံခြုံရေး ဘေးအန္တရာယ်များ ပေးနိုင်သည့်ကို သင် အသိအမှတ်ပြုပြီး ပုံမှန်မဟုတ်သော လုပ်ငန်းလည်ပတ်မှု၊ ပုဂ္ဂိုလ်ရေးဆိုင်ရာ အချက်အလက် ပေါက်ကြားမှု သို့မဟုတ် ဆိုင်ဘာ တိုက်ခိုက်မှုများ၊ ဟက်ကာ တိုက်ခိုက်မှုများ၊ ဝိုင်းရပ်စ် ကူးစက်မှု သို့မဟုတ် အခြား အင်တာနက် လုံခြုံရေး အန္တရာယ်များ၏ ရလဒ်အဖြစ် ဖြစ်ပေါ်လာသော အခြားပျက်စီးမှုများ၊ အပေါ် HIKVISION သည် တာဝန်ယူလိမ့်မည်မဟုတ်ပါ။ သို့ရာတွင် HIKVISION သည် လိုအပ်ပါက နည်းပညာပံ့ပိုးမှုကို အချိန်နှင့် တစ်ပြေးညီပေးသွားမည်။

သင်သည် အကျိုးဝင်သော ဥပဒေများနှင့် အညီ ဤကုန်ပစ္စည်းကို အသုံးပြုရန် သဘောတူညီပြီး သင်၏ အသုံးပြုမှုသည် အကျိုးဝင်သော ဥပဒေနှင့်

ကိုက်ညီစေရန် သင်က လုံးဝ တာဝန်ခံရမည် ဖြစ်သည်။ အထူးသဖြင့် သင်သည် ဤကုန်ပစ္စည်းကို အသုံးပြုရာတွင် အများပြည်သူ၏ အခွင့်အရေးများ၊ အသိပညာ ပိုင်ဆိုင်မှု အခွင့်အရေးများ သို့မဟုတ် အချက်အလက် ကာကွယ်ရေး နှင့် အခြား ပုဂ္ဂိုလ်ရေး ဆိုင်ရာ အချက်အလက် လုံခြုံမှု အခွင့်အရေးများ အပါအဝင် ဖြစ်သော်လည်း ယင်းတို့သာ အကန့်အသတ်မဟုတ်ဘဲ အပြင်အပ လူပုဂ္ဂိုလ် များ၏ အခွင့်အရေးများကို ချိုးဖောက်သော ပုံစံဖြင့် အသုံးပြုခြင်း မပြုရန် သင့်တွင် တာဝန်ရှိသည်။ လူအစုအပြုံလိုက် သေကြေပျက်စီးစေနိုင်သော လက်နက်များ တီထွင် ဖန်တီးခြင်း သို့မဟုတ် ထုတ်လုပ်ခြင်း၊ ဓာတု သို့မဟုတ် ဇီဝ လက်နက်များ တီထွင်ဖန်တီးခြင်း သို့မဟုတ် ထုတ်လုပ်ခြင်း၊ မည်သည့် ပေါက်ကွဲစေတတ်သော နူးကလီးယား လက်နက် သို့မဟုတ် ဘေးကင်းလုံခြုံမှု မရှိသော နူးကလီးယား လောင်စာ သံသရာတို့နှင့် သက်ဆိုင်သော အခြေအနေတွင် သို့မဟုတ် လူ့အခွင့်အရေး ချိုးဖောက်မှုကို ပံ့ပိုးသော လုပ်ဆောင်မှု တစ်စုံတရာ တို့ အပါအဝင် မည်သည့် အဆုံးသတ် အသုံးပြုမှု အတွက်ကိုမဆို သင်သည် ဤကုန်ပစ္စည်းကို အသုံးပြုခြင်း မပြုရပါ။ ဤလမ်းညွှန်နှင့် သက်ဆိုင်ရာ ဥပဒေအကြား ကွဲလွဲမှုများ ရှိခဲ့ပါက ဥပဒေပါ ပြဌာန်းချက်ကိုသာ အတည်ယူရမည်။

စည်းကမ်းချက်ဆိုင်ရာ အချက်အလက်များ

ဤအပိုင်းများသည် သက်ဆိုင်ရာ အမှတ်အသား သို့မဟုတ် အချက်အလက်များ ပါရှိသော ထုတ်ကုန်များနှင့်သာ သက်ဆိုင်ပါသည်။

EU လိုက်နာရန် ထုတ်ပြန်ချက်

CE ဤထုတ်ကုန်နှင့် - ကိုက်ညီပါက - ပံ့ပိုးပေးထားသော ဆက်စပ်ပစ္စည်းများကိုလည်း "CE" ဖြင့် အမှတ်အသားပြထားပြီး 2014/30/EU (EMCD) ညွှန်ကြားချက်၊ 2014/35/EU (LVD) ညွှန်ကြားချက်၊ 2011/65/EU (RoHS) ညွှန်ကြားချက် အောက်တွင် ဖော်ပြထားသော သက်ဆိုင်ရာ သဟဇာတဖြစ်သော ဥပဒေပစ်နှုန်းများနှင့် ကိုက်ညီပါသည်။

Hangzhou Hikvision အိမ်ဂျစ်တယ်နည်းပညာ ကုမ္ပဏီ လီမိတက်သည် ဤနေရာမှ ကြေညာအပ်သည်မှာ ဤကိရိယာသည် (ကပ်ထားသော တံဆိပ်ကို ကိုးကားပါ) သည် လမ်းညွှန်ချက် 2014/53/EU နှင့် ကိုက်ညီသည်။ EU လိုက်နာရန်ထုတ်ပြန်ချက်ပါ စာသားအပြည့်အစုံကို အောက်ပါအင်တာနက်လိပ်စာ

<https://www.hikvision.com/en/support/compliance/declaration-of-conformity> တွင် ရရှိနိုင်ပါသည်။

ကြိမ်နှုန်းခွင်များနှင့် ပါဝါ (CE အတွက်)

အောက်ဖော်ပြပါ ရေဒီယိုစက်ပစ္စည်းနှင့် သက်ဆိုင်သော ကြိမ်နှုန်းခွင်များနှင့် အားထုတ်လွှတ်မှုကုန်သွယ်ချက် (ဖြာထွက်မှုနှင့်/သို့မဟုတ် လျှပ်ကူးမှု) တို့မှာ အောက်ပါအတိုင်းဖြစ်ပါသည်-
Wi-Fi 2.4 GHz (2.4 GHz မှ 2.4835 GHz)- 20 dBm

စက်ပစ္စည်းမော်ဒယ်အတွက်- DS-2TD*GLT, DS-2TXS*GLT*.

- LTE FDD-
လှိုင်းခွင် 1- 1920 မှ 1980 MHz, 23 dBm, အတန်းအစား 3၊
- လှိုင်းခွင် 3- 1710 မှ 1785 MHz, 23 dBm, အတန်းအစား 3၊
- လှိုင်းခွင် 5- 824 မှ 849 MHz, 23 dBm, အတန်းအစား 3၊
- လှိုင်းခွင် 7- 2500 မှ 2570 MHz, 23 dBm, အတန်းအစား 3၊
- လှိုင်းခွင် 8- 880 မှ 915 MHz, 23 dBm, အတန်းအစား 3၊
- လှိုင်းခွင် 20- 832 မှ 862 MHz, 23 dBm, အတန်းအစား 3၊
- လှိုင်းခွင် 28- 703 မှ 748 MHz, 23 dBm, အတန်းအစား 3။

LTE TDD-

လှိုင်းခွင် 38- 2570 မှ 2620 MHz, 23 dBm, အတန်းအစား 3I

လှိုင်းခွင် 40- 2300 မှ 2400 MHz, 23 dBm, အတန်းအစား 3I

လှိုင်းခွင် 41- 2555 မှ 2655 MHz, 23 dBm, အတန်းအစား 3II

WCDMA-

လှိုင်းခွင် 1- 1920 မှ 1980 MHz, 23.5 dBm, အတန်းအစား 3I

လှိုင်းခွင် 5- 824 မှ 849 MHz, 23.5 dBm, အတန်းအစား 3I

လှိုင်းခွင် 8- 880 မှ 915 MHz, 23.5 dBm, အတန်းအစား 3II

စက်ပစ္စည်းမော်ဒယ်အတွက်- DS-2TD*GLT(JP), DS-2TXS*GLT*(JP).

LTE FDD-

လှိုင်းခွင် 1- 1920 မှ 1980 MHz, 23 dBm, အတန်းအစား 3I

လှိုင်းခွင် 3- 1710 မှ 1785 MHz, 23 dBm, အတန်းအစား 3I

လှိုင်းခွင် 8- 880 မှ 915 MHz, 23 dBm, အတန်းအစား 3I

လှိုင်းခွင်11- 1427.9 မှ 1452.9 MHz, 23 dBm, အတန်းအစား 3I

လှိုင်းခွင်18- 815 မှ 830 MHz, 23 dBm, အတန်းအစား 3I

လှိုင်းခွင်19- 830 မှ 845 MHz, 23 dBm, အတန်းအစား 3I

လှိုင်းခွင်21- 1447.9 မှ 1462.9 MHz, 23 dBm, အတန်းအစား 3I

လှိုင်းခွင်26- 814 မှ 849 MHz, 23 dBm, အတန်းအစား 3I

လှိုင်းခွင် 28- 703 မှ 748 MHz, 23 dBm, အတန်းအစား 3II

LTE TDD-

လှိုင်းခွင် 41- 2535 မှ 2655 MHz, 23 dBm,

အတန်းအစား 3II

WCDMA-

လှိုင်းခွင် 1- 1920 မှ 1980 MHz, 23.5 dBm, အတန်းအစား 3I

လှိုင်းခွင် 6- 832.4 မှ 837.6 MHz, 23.5 dBm, အတန်းအစား 3I

လှိုင်းခွင် 8- 880 မှ 915 MHz, 23.5 dBm, အတန်းအစား 3I

လှိုင်းခွင်19- 830 မှ 845 MHz, 23.5 dBm, အတန်းအစား 3II

စက်ပစ္စည်းမော်ဒယ်အတွက်- DS-2TD*GLT(LA), DS-2TXS*GLT*(LA), DS-2TD*GLT(BR), DS-2TXS*GLT*(BR).

LTE FDD-

လှိုင်းခွင် 1- 1920 မှ 1980 MHz, 23 dBm, အတန်းအစား 3I

လှိုင်းခွင် 2- 1850 မှ 1910 MHz, 23 dBm, class 3I

လှိုင်းခွင် 3- 1710 မှ 1785 MHz, 23 dBm, အတန်းအစား 3I

လှိုင်းခွင် 4- 1710 မှ 1755 MHz, 23 dBm, အတန်းအစား 3I

လှိုင်းခွင် 5- 824 မှ 849 MHz, 23 dBm, အတန်းအစား 3I

လှိုင်းခွင် 7- 2500 မှ 2570 MHz, 23 dBm, အတန်းအစား 3I

လှိုင်းခွင် 8- 880 မှ 915 MHz, 23 dBm, အတန်းအစား 3I

လှိုင်းခွင် 12- 699 မှ 716 MHz, 23 dBm, အတန်းအစား 3I

လှိုင်းခွင် 17- 704 မှ 716 MHz, 23 dBm, အတန်းအစား 3I

လှိုင်းခွင် 28- 703 မှ 748 MHz, 23 dBm, အတန်းအစား 3I

လှိုင်းခွင် 66- 1710 မှ 1780 MHz, 23 dBm, အတန်းအစား 3II

LTE TDD-

လှိုင်းခွင် 38- 2570 မှ 2620 MHz, 23 dBm,

အတန်းအစား 3၊
လှိုင်းခွင် 40- 2300 မှ 2400 MHz, 23 dBm,
အတန်းအစား 3။

WCDMA-
လှိုင်းခွင်1- 1920 မှ 1980 MHz, 23.5 dBm,
အတန်းအစား 3၊

လှိုင်းခွင်2- 1850 မှ 1910 MHz, 23.5 dBm,
အတန်းအစား 3၊

လှိုင်းခွင်3- 1710 မှ 1785 MHz, 23.5 dBm,
အတန်းအစား 3၊

လှိုင်းခွင်5- 824 မှ 849 MHz, 23.5 dBm,
အတန်းအစား 3၊

လှိုင်းခွင်8- 880 မှ 915 MHz, 23.5 dBm,
အတန်းအစား 3။

GSM/GPRS/EDGE-
လှိုင်းခွင် GSM850- 850 MHz, 32.5 dBm, class 3၊
လှိုင်းခွင် GSM900- 900 MHz, 32.5 dBm, class 3၊
လှိုင်းခွင် DCS1800- 1800 MHz, 29.5 dBm, class 3။

ပါဝါ အဒက်ပတာ မပါရှိသော ကိရိယာများအတွက် အရည်အသွေးမီသော ထုတ်လုပ်သူမှ ထုတ်သော ပါဝါ အဒက်ပတာကို သုံးပါ။ ပါဝါ လိုအပ်ချက်ဆိုင်ရာ အသေးစိတ်အတွက် ထုတ်ကုန် သတ်မှတ်ချက်များကို ကိုးကားပါ။

ဘက်ထရီမပါရှိသော ကိရိယာများအတွက် အရည်အသွေးမီသော ထုတ်လုပ်သူမှ ထုတ်သော ဘက်ထရီကို သုံးပါ။ ဘက်ထရီ လိုအပ်ချက်များ အသေးစိတ်အတွက် ထုတ်ကုန် သတ်မှတ်ချက်များကို ကိုးကားပါ။

သတိပေးချက်- ဤသည်မှာ အတန်းအစား A ထုတ်ကုန်ဖြစ်ပါသည်။ ဒေသတွင်း ပတ်ဝန်းကျင်တစ်ခု၌ ဤကုန်ပစ္စည်းသည် ရေဒီယိုဆက်သွယ်ရေး အနှောင့်အယှက်ကို ဖြစ်စေနိုင်သောကြောင့် အသုံးပြုသူသည် လုံလောက်သော ဆောင်ရွက်ချက်များကို လုပ်ဆောင်ရန်လိုအပ်ပါသည်။



2012/19/EU (WEEE ညွှန်ကြားချက်)- ဤသင်္ကေတ ကပ်ထားသည့် ထုတ်ကုန်များကို ဥရောပသမဂ္ဂအတွင်း ရောနှောစည်ပင်အမှိုက်အနေဖြင့် စွန့်ပစ်နိုင်ခြင်း မရှိပါ။ သေချာစွာ ရီဆိုင်ကယ်လုပ်ရန်အတွက် ဤထုတ်ကုန်ပစ္စည်းကို အလားတူ ပစ္စည်းအသစ်တစ်ခု ဝယ်ယူချိန်တွင် သင့်နယ်ခံ ပစ္စည်းရောင်းချသူထံ ပြန်ပေးပါ သို့မဟုတ် သတ်မှတ်ထားသည့် ပစ္စည်းစုဆောင်းသော နေရာများ၌ စွန့်ပစ်ပါ။ ပိုမိုသိရှိလိုပါက www.recyclethis.info တွင်ကြည့်ပါ။



2006/66/EC နှင့် ၎င်း၏ ပြင်ဆင်ချက် 2013/56/EU (ဘက်ထရီ လမ်းညွှန်ချက်)- ဤထုတ်ကုန်ပစ္စည်းတွင် ဥရောပသမဂ္ဂအတွင်း ရောနှော စည်ပင်အမှိုက်အနေဖြင့် စွန့်ပစ်နိုင်ခြင်း မရှိသည့် ဘက်ထရီ တစ်လုံး ပါဝင်နေပါသည်။ ဘက်ထရီအတွက် သီးသန့်အချက် အလက်များကို ထုတ်ကုန်ပစ္စည်းပါ စာရွက်စာတမ်းများ၌ ကြည့်ပါ။ ဤဘက်ထရီကို ကတ်ဒီမီယမ် (Cd)၊ ခဲ (Pb) သို့မဟုတ် ပြဒါး (Hg) ဟု ညွှန်ပြမည့် စွန့်ပစ်ခြင်းပါဝင်နိုင်ကြောင်း ဤသင်္ကေတဖြင့် မှတ်သားထားပါသည်။ သေချာစွာ ရီဆိုင်ကယ်လုပ်ရန်အတွက် ဤဘက်ထရီကို သင့်နယ်ခံ ပစ္စည်း ရောင်းချသူထံ ပြန်ပေးပါ သို့မဟုတ် သတ်မှတ်ထားသည့် စုဆောင်းသော နေရာ၌ စွန့်ပစ်ပါ။ ပိုမိုသိရှိလိုပါက www.recyclethis.info တွင်ကြည့်ပါ။

ဘေးကင်းလုံခြုံရေး ညွှန်ကြားချက်များ
ဤညွှန်ကြားချက်များသည် အန္တရာယ် သို့မဟုတ် ပိုင်ဆိုင်မှုပစ္စည်းပျောက်ဆုံးမှုမှ ရှောင်ရှားနိုင်ရန်အတွက် အသုံးပြုသူအနေဖြင့် ထုတ်ကုန်ကို မှန်ကန်စွာအသုံးပြုနိုင်စေရန် ရည်ရွယ်ပါသည်။ အသုံးမပြုမီ ဘေးကင်းရေးဆိုင်ရာ အချက်အလက်များကို သေချာစွာ ဖတ်ရှုပါ။

ဥပဒေများနှင့် လုပ်ထုံးလုပ်နည်းများ
ကိရိယာကို ဒေသဆိုင်ရာ ဥပဒေများ၊ လျှပ်စစ်ပစ္စည်း ဘေးကင်းလုံခြုံမှု စည်းမျဉ်းစည်းကမ်းများ နှင့် မီးဘေး

ကာကွယ်ရေး စည်းမျဉ်းစည်းကမ်းများနှင့် အညီ သုံးစွဲရမည်။

သယ်ယူပို့ဆောင်ရေး

- ကိရိယာကို သယ်ယူပို့ဆောင်ရာတွင် မူလ သို့မဟုတ် အလားတူ ထုပ်ပိုးမှုအတိုင်း ထားပါ။
- ကိရိယာအား အထုတ်မှဖောက်ပြီးနောက် ထုတ်ပိုးသည့် ပစ္စည်းများကို နောင်တွင်ပြန်သုံးနိုင်ရန် သိမ်းဆည်းထားပါ။ ချို့ယွင်းမှုတစ်ခုခု ဖြစ်ခဲ့ပါက ကိရိယာကို မူရင်းအထုတ်အပိုးဖြင့် စက်ရုံသို့ ပြန်ပို့ရန် လိုအပ်ပါသည်။
- မူလအတိုင်းထုပ်ပိုးထားခြင်းမရှိသော သယ်ယူပို့ဆောင်မှုသည် စက်ပစ္စည်းအပေါ် ထိခိုက်ပျက်စီးမှုဖြစ်စေနိုင်ပြီး ကုမ္ပဏီမှ မည်သို့မျှ တာဝန်ယူမည်မဟုတ်ပါ။
- ထုတ်တုန့်ပစ္စည်းကို လွတ်မကျပါစေနှင့် သို့မဟုတ် တုန့်ခါ၍ ဒဏ်ဖြစ်သွားခြင်း မဖြစ်စေပါ။ နှင့်၊ ကိရိယာကို သံလိုက်စက်ကွင်း နောက်ယှက်မှုမှ ဝေးရာတွင် ထားပါ။

ပါဝါ ပေးသွင်းမှု

- ကျေးဇူးပြု၍ အားသွင်းကိရိယာကို သင်ကိုယ်တိုင်ဝယ်ယူပါ။ အဝင်ဗို့အားသည် IEC62368 စံနှုန်းအရ ကန့်သတ်ထားသော ပါဝါရင်းမြစ် (12 VDC) နှင့် ကိုက်ညီရမည်။ အသေးစိတ်အချက်အလက်များအတွက် ကျေးဇူးပြု၍ ကိုးကားပါ။
- ပလပ်ခေါင်းသည် ပါဝါ အပေါက်တွင် ကောင်းမွန်စွာ ချိတ်ဆက်ထားမှု ရှိမရှိကို သေချာ မြေချထားပါ။
- ပလပ်ပေါက်ကို ကိရိယာအနီးတွင် တပ်ဆင်ထားရမည်ဖြစ်ပြီး အလွယ်တကူ ထိုးချိတ်နိုင်ရမည် ဖြစ်သည်။
- အလုပ်ပိုကြောင့် ဖြစ်ပေါ်လာသော အပူလွန်ခြင်း သို့မဟုတ် မီးဘေးအန္တရာယ်ကို ရှောင်ရှားရန် ပါဝါခုံ တစ်ခုတွင် ကိရိယာ အများအပြားကို မဆက်ထားပါနှင့်။
- ဆားကစ်ဘရိုက်ကာကို ပိတ်ပြီးသော်လည်း အကာရံမပါသော အဝင်များ၏ သတ္တုအဆက်အသွယ်များကို မထိပါနှင့်။ လျှပ်စစ်အား

ရှိနေဆဲဖြစ်သည်။

- + တိုက်ရိုက်လျှပ်စီးကြောင်းနှင့် အသုံးပြုသော သို့မဟုတ် တိုက်ရိုက်လျှပ်စီးကြောင်း ထွက်သော ကိရိယာ၏ အပေါင်းငုတ်(များ)ကို ခွဲခြားမှတ်သားပါ။ - တိုက်ရိုက်လျှပ်စီးကြောင်းနှင့် အသုံးပြုသော သို့မဟုတ် တိုက်ရိုက်လျှပ်စီးကြောင်း ထွက်သော ကိရိယာ၏ အနှုတ်ငုတ်(များ)ကို ခွဲခြားမှတ်သားပါ။
- AC မိန်းဓာတ်အားသို့ ချိတ်ဆက်သည့် ငုတ်များ ချိတ်ဆက်ပုံ မှန်ကန်စေရန် လုပ်ဆောင်ပါ။

ဘက်ထရီ

- မှန်ကန်မှုမရှိသော ဘက်ထရီအမျိုးအစားဖြင့် လဲမိပါက ပေါက်ကွဲမှုဖြစ်နိုင်သည်။ အသုံးပြုပြီး ဘက်ထရီများကို လမ်းညွှန်ချက်များနှင့်အညီ စွန့်ပစ်ပါ။
- တစ်သားတည်းပါသော ဘက်ထရီကို ဖယ်ထုတ်၍မရနိုင်ပါ။ လိုအပ်ပါက ပြုပြင်ရန်အတွက် ကျေးဇူးပြု၍ ထုတ်လုပ်သူနှင့် ဆက်သွယ်ပါ။
- ဘက်ထရီကြောရှည် သို့လှောင်ရန် အတွက် ဘက်ထရီအရည်အသွေးကောင်းမွန်စေရန် နှစ်ဝက်တိုင်းတွင် သေချာစွာ အားအပြည့်သွင်းထားပါ။ ထိုသို့မဟုတ်လျှင် ထိခိုက်ပျက်စီးမှုဖြစ်စေနိုင်ပါသည်။
- ဤကိရိယာကို ကလေးများရှိနိုင်သည့် နေရာမျိုးတွင် အသုံးပြုရန် မသင့်လျော်ပါ။
- ဘက်ထရီကို ပုံစံမမှန်ဘဲ မှားယွင်းသော အမျိုးအစားတစ်ခုဖြင့် အသစ်လဲခဲ့ပါက safeguard ပျက်စီးနိုင်သည် (ဥပမာအားဖြင့် အချို့သော လစ်သီယမ် ဘက်ထရီအမျိုးအစားများတွင်)။
- ဘက်ထရီကို ပေါက်ကွဲမှု ဖြစ်ပေါ်စေနိုင်သည့် မီးအတွင်းသို့၊ သို့မဟုတ် မီးဖိုအတွင်းအတွင်း၊ သို့မဟုတ် စက်ပစ္စည်းသုံး ထုခြေခြင်း၊ သို့မဟုတ် ဖြတ်တောက်ခြင်း ဖြင့် မစွန့်ပစ်ပါနှင့်။
- ဘက်ထရီကို အလွန်အမင်း မြင့်မားသည့် အပူချိန်ရှိသည့် ပတ်ဝန်းကျင်တွင် မထားပါနှင့်၊ ပေါက်ကွဲမှု ဖြစ်နိုင်သည် သို့မဟုတ် မီးလောင်လွယ်သည့် အရည် သို့မဟုတ် ဓာတ်ငွေ့များ ထွက်လာနိုင်သည်။
- ဤဘက်ထရီကို အလွန်နိမ့်သည့် လေဖိအားနှင့် ထိတွေ့ခြင်း မရှိစေရန် ပေါက်ကွဲမှု ဖြစ်နိုင်သည်

သို့မဟုတ် မီးလောင်လွယ်သည့် အရည် သို့မဟုတ် ဓာတ်ငွေ့များ ထွက်လာနိုင်သည်။

မီး ရောင်ပြန် (ပုံရိုးမှုရှိပါက)



သတိပြုရန်- ဤကုန်ပစ္စည်းမှ ဘေးအန္တရာယ် ရှိနိုင်သော အလင်းဆိုင်ရာ ရောင်ခြည်များ ထုတ်လွှတ်သည်။ လုပ်ငန်းလုပ်ဆောင်နေသော မီးလုံးကို စိုက်မကြည့်ပါနှင့်။ မျက်စိများကို ထိခိုက်နိုင်သည်။ သင့်တော်သော မျက်စိကာကွယ်မှုကို ဝတ်ဆင်ပါ သို့မဟုတ် ပစ္စည်းများ စီထားခြင်း၊ တပ်ဆင်ခြင်း သို့မဟုတ် ပြုပြင်ထိန်းသိမ်းခြင်း လုပ်သည့်အခါ အဖြူရောင်မီးကို ဖွင့်မထားပါနှင့်။

တပ်ဆင်ခြင်း

- ကိရိယာကို မတည်ငြိမ်သော နေရာများတွင် မည်သည့်အခါမျှ တပ်ဆင်ခြင်း မပြုရပါ။ ဤကိရိယာ ပြုတ်ကျ၍ အနာတရ ပြင်းထန်စွာဖြစ်စေ၊ အသက်ဆုံးရှုံးသည်အထိ ဖြစ်စေ အန္တရာယ် ဖြစ်စေနိုင်သည်။
- ဤကိရိယာကို ၎င်းနှင့်လိုက်ဖက်သော ဒေါက်များဖြင့်သာ အသုံးပြုရန်ဖြစ်ပါသည်။ အခြား (လက်တွန်းလှည်းများ၊ စင်များ သို့မဟုတ် သယ်ဆောင်သည့်စင်များ) ပစ္စည်းများနှင့် အသုံးပြုခြင်းကြောင့် မတည်မငြိမ်ဖြစ်ပြီး အနာတရ ဖြစ်စေနိုင်ပါသည်။

စနစ် လုံခြုံရေး

- အင်တာနက်၏သဘောသဘာဝအရ မူလအားဖြင့် လုံခြုံရေးဆိုင်ရာအန္တရာယ်များကို ဖြစ်စေနိုင်သည်ကို သင်သိရှိနားလည်ထားပြီးဖြစ်ရာ ဆိုက်ဘာတိုက်ခိုက်မှု၊ ဟက်ကာတိုက်ခိုက်မှုတို့ကြောင့်ဖြစ်သော ပုံမှန်မဟုတ်သော ခေောင်ရွက်မှု၊ ကိုယ်ရေးအချက်အလက်ကိုပေါက်မှု သို့မဟုတ် အခြားထိခိုက်မှုများအတွက် ကျွန်ုပ်တို့ကုမ္ပဏီမှ တာဝန်ယူမည်မဟုတ်ပါ။ သို့သော် ကျွန်ုပ်တို့ကုမ္ပဏီသည် လိုအပ်ပါက အချိန်နှင့်တစ်ပြေးညီ နည်းပညာအထောက်အပံ့ပေးမည်ဖြစ်ပါသည်။
- ကိရိယာအား အင်တာနက်သို့ ချိတ်ဆက်ထားလျှင်


ကွန်ရက်လုံခြုံမှုဆိုင်ရာ ပြဿနာများ ဖြစ်နိုင်သည့်အတွက် ကိုယ်ရေးအချက်အလက် ကာကွယ်ရေးနှင့် အချက်အလက် လုံခြုံရေးတို့ကို လုပ်ဆောင်ပါ။ ကိရိယာတွင် ကွန်ရက်လုံခြုံရေး အန္တရာယ်များ ရှိနိုင်ပါက ကျွန်ုပ်တို့ထံ ဆက်သွယ်ပါ။

- သင့်အနေဖြင့် ဤကိရိယာနှင့် ပတ်သက်သည့် စကားဝှက်များနှင့် အခြားလုံခြုံရေး ဆက်တင်များကို ထိန်းသိမ်းသတ်မှတ်ရမည်ဖြစ်ပြီး အသုံးပြုသူအမည်နှင့် စကားဝှက်တို့ကို မှတ်သားထားရန် တာဝန်ရှိသည်ကို နားလည်ရန်လိုပါသည်။

ပြုပြင်ထိန်းသိမ်းခြင်း

- ကိရိယာ သေချာအလုပ်မလုပ်ပါက အရောင်းဆိုင် သို့မဟုတ် အနီးဆုံး ကြံ့ခိုင်မှုစစ်ဆေးရေး စင်တာသို့ ဆက်သွယ်ပါ။ ခွင့်ပြုချက်မရှိဘဲ ပြင်ဆင်ခြင်း သို့မဟုတ် ထိန်းသိမ်းခြင်းကြောင့် ဖြစ်ပွားရသည့် မည်သည့်ပြဿနာအတွက်မဆို လုံးဝတာဝန်ယူမည် မဟုတ်ပါ။
- အချို့သော ကိရိယာ အစိတ်အပိုင်းများ (ဥပမာ- အီလက်ထရိုလိုက်တစ် စွမ်းရည်ထိန်း ပစ္စည်း) သည် ပုံမှန် လဲလှယ်မှု လုပ်ရန် လိုအပ်သည်။ မျှမ်းမျှ သက်တမ်း ကွာခြားမှု ရှိသဖြင့် စစ်ဆေးရန် အကြံပြုသည်။ အသေးစိတ်အတွက် သင့်အား ပစ္စည်းရောင်းပေးသူအား ဆက်သွယ်ပါ။
- လိုအပ်ပါက စက်ကိရိယာကို အရက်ပြန်အနည်းငယ်သုံး၍ သန့်ရှင်းသောအဝတ်ဖြင့် ညင်သာစွာ သုတ်ပါ။
- ထုတ်လုပ်သူမှ သတ်မှတ်ထားခြင်းမရှိသောပုံစံဖြင့် ကိရိယာကို အသုံးပြုပါက စက်ပစ္စည်းတွင်ပါသော အကာအကွယ်ကို ထိခိုက်စေနိုင်ပါသည်။
- မီးလောင်ကျွမ်းမှု အန္တရာယ်ကို လျော့ချရန်အတွက် အမျိုးအစားနှင့် အဆင့်အတန်း တူညီသည့် ဖျူးစ်ဖြင့်သာ လဲလှယ်ပေးရမည်။
- ကိရိယာ၏ စီရိယယ် ဆက်သွယ်မှု သည် အမှားပြင်ရန်အတွက်သာ အသုံးပြုသည်။
- ကြံ့ခိုင်မှုစစ်ဆေး ပြင်ဆင်ချိန်တွင် ပါဝါရင်းမြစ်ကို ဖြုတ်ထားပါ။

အသုံးပြုသည့် ပတ်ဝန်းကျင်

- လည်ပတ်လုပ်ဆောင်နေသော ပတ်ဝန်းကျင်သည် ကိရိယာအတွက် လိုအပ်ချက်များ ပြည့်မီစေရန် လုပ်ဆောင်ပါ။ အအလုပ်လုပ်သော အပူချိန်သည် -40 °C မှ 65 °C အထိ (-40 °F မှ 149 °F အထိ) ရှိသင့်ပြီး အလုပ်လုပ်သော စိုထိုင်းဆသည့် 5% မှ 95% ရှိသင့်သည်။ ဖိသိပ်ခြင်း မလုပ်ရပါ။
- ကိရိယာကို လျှပ်စစ်သံလိုက် ရောင်ခြည် သို့မဟုတ် ဖိုတိုထွေသော ပတ်ဝန်းကျင်များနှင့် မထိတွေ့စေပါနှင့်။
- မှန်ဘီလူးများကို နေ သို့မဟုတ် တောက်ပသော အလင်းရောင်ရှိရာသို့ မချိန်ပါနှင့်။
- ဤကိရိယာကို ရေစိမ့်ကျခြင်း သို့မဟုတ် ဖျန်းပတ်ခြင်း၊ ဖြန်းပတ်ခြင်းများနှင့် မထိစေရန်နှင့် ပန်းအိုးများ ကဲ့သို့သော အရည်ဖြည့်ထားသည့် ပစ္စည်းများကို ကိရိယာအပေါ်တွင် မထားရပါ။
- မီးထွန်းထားသည့် ဖယောင်းတိုင်များ ကဲ့သို့သော အကာအကွယ်မရှိသည့် မီးအရင်းအမြစ်များကို ကိရိယာအပေါ်တွင် မထားရပါ။
- တောင်ထိပါ သံတာဝါတိုင်နှင့် သစ်တောများကဲ့သို့ အထူး အခြေအနေများအောက်တွင် ကိရိယာ၏ အဝင်ပေါက်တွင် ရုတ်တရက် လျှပ်ရှားမှု အထိန်းကို ထည့်ပေးပါ။
-  သင်္ကေတပါသော အစိတ်အပိုင်းများကို ကိုင်တွယ်သည့်အခါ လက်ချောင်းများအပူလောင်နိုင်သည်။ အစိတ်အပိုင်းများကို မကိုင်တွယ်မီ ခလုတ်ပိတ်ပြီး

အနည်းဆုံး တစ်နာရီခွဲ စောင့်ဆိုင်းပါ။

အရေးပေါ်


- ကိရိယာမှ မီးခိုးငွေ့၊ ညှော်နှံစသည့် အနံ့၊ ဆူညံသံများ ထွက်လာလျှင် ပါဝါ ချက်ချင်းပိတ်၊ ပါဝါကေဘယ် ဖြုတ်ပြီး ပြုပြင်ရေးစင်တာသို့ ဆက်သွယ်ပါ။

ထုတ်လုပ်သည့်လိပ်စာ

နံပါတ် 555 Qianmo လမ်း၊ Binjiang ခရိုင်၊ Hangzhou 310052၊ တရုတ်နိုင်ငံ
Hangzhou Hikvision Digital Technology Co.,Ltd.

လိုက်နာမှု သတိပေးချက်။ အပူဆိုင်ရာ အတွဲလိုက် ထုတ်ကုန်များသည် အမေရိကန် ပြည်ထောင်စု၊ ဥရောပ သမဂ္ဂ၊ ယူနိုက်တစ် ကင်းဒမ်း နှင့်/သို့ ဝါဆန်နာ စီမံမှု အဖွဲ့ဝင် နိုင်ငံများ အပါအဝင် ဖြစ်ပြီး ယင်းတို့သာ ဟု ကန့်သတ်မထားပဲ အမျိုးမျိုးသော နိုင်ငံများ သို့မဟုတ် ဒေသများ တွင် ပို့ကုန် ထိန်းချုပ်မှုများကို ကြုံတွေ့ ရနိုင်သည်။ သင့်အနေဖြင့် အပူဆိုင်ရာ အတွဲလိုက် ထုတ်ကုန်များကို မတူညီသော နိုင်ငံများအကြား လွှဲပြောင်းခြင်း၊ တင်ပို့ခြင်း၊ ထပ်မံတင်ပို့ခြင်း လုပ်ရန် ရည်ရွယ်ပါက ပို့ကုန် လိုင်စင် လိုအပ်ချက် တစ်စုံတစ်ရာ လိုအပ်ခြင်းရှိမရှိကို ကျွမ်းကျင်သော ဥပဒေ သို့မဟုတ် စည်းမျဉ်းလိုက်နာမှု ကျွမ်းကျင်သူများ သို့မဟုတ် ဒေသခံအစိုးရ အာဏာပိုင်များနှင့် ကျေးဇူးပြု၍ တိုင်ပင်ပါ။

Türkçe

 Ürün görünümünü sadece referans içindir ve gerçek ürün farklı olabilir.

Görünüm (Sayfa 1 – A)

Bileşen ve Kablo

No.	Bileşen ve Arabirim
1	Kamera
2	Fotovoltaik Güneş Paneli
3	Bağlantı Parçası
4	Ses Girişi, Ses Çıkışı
5	Alarm Girişi x 2, Alarm Çıkışı x 2
6	Ağ Kablosu
7	RS-485, Güç Kablosu

Kamera Kitinin Montajı (Sayfa 1 – B)

Adımlar:

1. Bağlantı parçasını kameraya monte edin.
 - 1) Altlığı sökme için bağlantı parçasının yan tarafındaki vidaları gevşeterek çıkarın.
 - 2) Altlığı iki HSF UNC1-4-20X12 vida ile kameranın altına sabitleyin.
 - 3) Altlık üzerindeki delikleri bağlantı parçasının üzerindeki deliklerle hizalayarak altlığı daha önce çıkarılan vidalarla bağlantı parçasına sabitleyin.
2. Güç ve RS-485 kablosu gibi daha uzun kabloları bağlantı parçasından geçirin ve diğer kabloları sızdırmazlık için su geçirmez bantlarla sarın.

3. Aküyü fotovoltaik güneş paneline takın.

Not: Solar akü, paket içeriğine dahil değildir. Lütfen ayrı olarak satın alın.

4. Bağlantı parçasını güneş paneline takın. RS-485 ve güç kablosunu kayar panel üzerindeki deliklerden geçirin, bağlantı parçası üzerindeki deliği kayar panel üzerindeki delikle hizalayın ve sabitlemek için vidaları sıkın.
5. Kablo kutusu kapağını sökmek için vidaları gevşeterek çıkarın.
6. Güneş paneli çıkış kablosunu ve akü çıkış kablosunu kablo kutusunun deliklerinden geçirin ve kameranın güç ve RS-485 kablosunu kayar panelin ve kablo kutusunun deliklerinden geçirin. Kabloları bağlayın ve kablo kutusu kapağını takmak için vidaları sıkın.

Not: Sızdırmazlık için bağlantı yerini su geçirmez bantlarla sarın.

7. Kiti monte etmek için uygun bir yükseklik seçin. Dikey direk montaj düzeneğini, montaj vida paketini ve montaj çubuğunu dışarı çıkarın, dikey direk montaj düzeneği ve montaj çubuğu üzerindeki montaj deliklerine dört adet M12 civata geçirin ve her bir civatayı düz bir conta ve iki somunla sıkın.
8. Kiti, dikey direk montaj parçasına asın ve kiti düz contalar, yaylı rondelalar ve somunlarla sabitleyin.
9. Güvenlik halatını, dikey direğin etrafına sarın ve güvenlik halatı üzerindeki kilit mandalını takın.
10. PV güneş panelinin ve kameranın açılarını ayarlayın.

Tekli Kameranın Montajı (Sayfa 6 – C)

Duvara Montaj (Sayfa 6 – C.1)

Adımlar:

1. Altlığı sökmek için bağlantı parçasının yan tarafındaki vidaları gevşeterek çıkarın ve altlığı iki UNC1-4 vida ile kameranın altına sabitleyin.
2. Altlık üzerindeki delikleri bağlantı parçasının üzerindeki deliklerle hizalayarak altlığı daha önce çıkarılan vidalarla bağlantı parçasına sabitleyin.
3. Matkap şablonuna göre duvarda dört delik açın.
4. Kamerayı sıkıştırma civataları, contalar ve somunlarla duvara sabitleyin.
5. Kameranın eğim açısını ayarlamak için bağlantı yerindeki vidaları, kaydırma açısını ayarlamak için altlığın alt tarafında bulunan

vidaları gevşetin. Ayarladıktan sonra vidaları sıkın.

Direğe Montaj (Sayfa 7 – C.2)

1. Altlığı sökmek için bağlantı parçasının yan tarafındaki vidaları gevşeterek çıkarın ve altlığı iki UNC1-4 vida ile kameranın altına sabitleyin.
2. Altlık üzerindeki delikleri bağlantı parçasının üzerindeki deliklerle hizalayarak altlığı daha önce çıkarılan vidalarla bağlantı parçasına sabitleyin.
3. Direğe montaj parçasını üç hızlı kilitleme halkası ile geçirin ve bağlantı parçasını direğe sabitleyin.
4. Kamerayı dört adet M4 vida ile direğe montaj parçasına sabitleyin.
5. Kameranın eğim açısını ayarlamak için bağlantı yerindeki vidaları, kaydırma açısını ayarlamak için altlığın alt tarafında bulunan vidaları gevşetin. Ayarladıktan sonra vidaları sıkın.

Su Geçirmez Yöntem (Sayfa 8)

1. Ağ kablosunun su geçirmez kılıfını takın (Sayfa 8 – D).
2. Kablo konektörlerini ve kullanılmayan kabloları korumak için ürünle birlikte verilen su geçirmez bandı kullanın (Sayfa 8 – E).

Koruyucu Önlemler (Sayfa 9 – F – 1)

Cihazı Etkinleştirme ve Cihaza Erişim

(Sayfa 9 – F – 2)

Kullanım Kılavuzu



Mevzuata Uygunluk ve Güvenlik Bilgileri

Cihazı kullanmaya başlamadan önce bu belgedeki tüm bilgi ve talimatları dikkatlice okuyun ve daha sonra başvurmak üzere saklayın.

Cihazla ilgili daha fazla bilgi ve talimat için lütfen <https://www.hikvision.com> adresinden web sitemizi ziyaret edin. Ayrıca daha fazla bilgi edinmek için (varsa) cihazla birlikte gelen belgelere bakabilir veya (varsa) paket üzerindeki QR kodunu tarayabilirsiniz.

Yasal Bilgiler

YASAL UYARI

YÜRÜRLÜKTE OLAN YASALARCA İZİN

VERİLEN AZAMI ÖLÇÜDE BU KILAVUZ VE AYRICA DONANIMI, YAZILIMI VE AYGIT "TÜM HATALAR VE ARIZALARLA BİRLİKTE" VE "OLDUĞU GİBİ" SUNULMUŞTUR.

HIKVISION, SINIRLAMA, SATILABİLİRLİK, KALİTE MEMNUNİYETİ VEYA BELİRLİ BİR AMACA UYGUNLUK DAHİL, AÇIK VEYA ZİMNİ HİÇBİR GARANTİ VERMEZ. ÜRÜNÜN SİZİN TARAFINIZDAN KULLANILMASIYLA İLGİLİ TÜM RİSKLER TARAFINIZA AİTTİR. HIKVISION BU TÜR HASARLARIN VEYA KAYIPLARIN OLASILIĞI HAKKINDA BİLGILENDİRİLMİŞ OLSA BİLE BU ÜRÜNÜN KULLANIMI İLE BAĞLANTILI OLARAK SÖZLEŞME İHLALI, (İHMAL DÂHİL) HAKSIZ FİİL, ÜRÜN YÜKÜMLÜLÜĞÜ VEYA FARKLI BİR ŞEKİLDE ORTAYA ÇIKSIN YA DA ÇIKMASIN DİĞER HÜSUSLARLA BİRLİKTE TİCARİ KÂR KAYBI, İŞ KESİNTİSİ, VERİ KAYBI, SİSTEMİN BOZULMASI, BELGE KAYBI NEDENİYLE ORTAYA ÇIKAN HASARLAR DAHİL ÖZEL, SONUÇ OLARAK ORTAYA ÇIKAN, ARIZİ VEYA DOLAYLI ZARARLAR İÇİN HİÇBİR DURUMDA SİZE KARŞI SORUMLU OLMAYACAKTIR. İNTERNETİN DOĞASININ DOĞAL GÜVENLİK RİSKLERİ BARINDIRDIĞINI KABUL EDİYORSUNUZ VE HIKVISION, SİBER SALDIRI, HACKER SALDIRISI, VİRÜS BULAŞMASI VEYA DİĞER İNTERNET GÜVENLİK RİSKLERİNDEN KAYNAKLANAN ANORMAL KULLANIM, GİZLİLİK SIZINTISI VEYA DİĞER ZARARLAR İÇİN HERHANGİ BİR SORUMLULUK KABUL ETMEZ; ANCAK, HIKVISION GEREKİRSE ZAMANINDA TEKNİK DESTEK SAĞLAYACAKTIR.

BU ÜRÜNÜ YÜRÜRLÜKTEKİ TÜM YASALARA UYGUN OLARAK KULLANMAYI KABUL EDERSİNİZ VE KULLANIMINIZIN YÜRÜRLÜKTEKİ YASAYA UYGUN OLMASI SORUMLULUĞU TAMAMEN SİZE AİTTİR. ÖZELLİKLE BU ÜRÜNÜ, HERHANGİ BİR SINIRLAMA OLMAKSIZIN TANITIM HAKLARI, FİKRİ MÜLKİYET HAKLARI VEYA VERİ KORUMA VE DİĞER GİZLİLİK HAKLARI DAHİL OLMAK ÜZERE ÜÇÜNCÜ TARAFLARIN HAKLARINI İHLAL ETMEYECEK BİR ŞEKİLDE KULLANMAKTAN SİZ SORUMLUSUNUZ. BU ÜRÜNÜ, TOPLU İMHA SİLAHLARININ GELİŞTİRİLMESİ VEYA ÜRETİMİ, KİMYASAL YA DA BİYOLOJİK SİLAHLARIN GELİŞTİRİLMESİ VEYA ÜRETİMİ, HERHANGİ BİR NÜKLEER PATLAYICI YA DA GÜVENİLİR OLMAYAN NÜKLEER YAKIT DÖNGÜSÜ VEYA İNSAN HAKLARI İHLALLERİNİN DESTEKLENMESİ DAHİL HİÇBİR

YASAKLANMIŞ SON KULLANIM İÇİN KULLANMAYACAKSINIZ.

BU KILAVUZ İLE İLGİLİ YASA ARASINDA HERHANGİ BİR ÇELİŞKİ OLMASI DURUMUNDA, İKİNCİSİ GEÇERLİDİR.

Mevzuat Bilgisi

Bu maddeler, yalnızca ilgili işarete veya bilgiye sahip ürünler için geçerlidir.

AB Uygunluk Beyanı

CE Bu ürün ve (varsa) birlikte verilen aksesuarlar ayrıca "CE" ile işaretlenmiştir ve bu nedenle 2014/30/EU (EMCD) Direktifi, 2014/35/EU (LVD) Direktifi ve 2011/65/EU (RoHS) Direktifi altında listelenen geçerli uyumlaştırılmış Avrupa standartlarına uygundur.

İşbu belgeyle, Hangzhou Hikvision Digital Technology Co., Ltd. bu cihazın 2014/53/EU Direktifi ile uyumlu olduğunu beyan eder (etikete bakın).

AB uygunluk beyanının tam metnine aşağıdaki internet adresinden ulaşılabilir: <https://www.hikvision.com/en/support/compliance/declaration-of-conformity>.

Frekans Bantları ve Güç (CE için)

Aşağıdaki radyo ekipmanı için geçerli olan frekans bantları ve iletim gücü (yayılan ve/veya iletilen) nominal sınırları aşağıdaki gibidir:

Wi-Fi 2,4 GHz (2,4 GHz ila 2,4835 GHz): 20 dBm.

Ekipman Modeli için: DS-2TD*GLT, DS-2TXS*GLT*.

LTE FDD:

Bant 1: 1920 ila 1980 MHz, 23 dBm, sınıf 3;
Bant 3: 1710 ila 1785 MHz, 23 dBm, sınıf 3;
Bant 5: 824 ila 849 MHz, 23 dBm, sınıf 3;
Bant 7: 2500 ila 2570 MHz, 23 dBm, sınıf 3;
Bant 8: 880 ila 915 MHz, 23 dBm, sınıf 3;
Bant 20: 832 ila 862 MHz, 23 dBm, sınıf 3;
Bant 28: 703 ila 748 MHz, 23 dBm, sınıf 3.

LTE TDD:

Bant 38: 2570 ila 2620 MHz, 23 dBm, sınıf 3;
Bant 40: 2300 ila 2400 MHz, 23 dBm, sınıf 3;
Bant 41: 2555 ila 2655 MHz, 23 dBm, sınıf 3.

WCDMA:

Bant 1: 1920 ila 1980 MHz, 23,5 dBm, sınıf 3;
Bant 5: 824 ila 849 MHz, 23,5 dBm, sınıf 3;
Bant 8: 880 ila 915 MHz, 23,5 dBm, sınıf 3.

Ekipman Modeli için: DS-2TD*GLT(JP), DS-2TXS*GLT*(JP).

LTE FDD:

Bant 1: 1920 ila 1980 MHz, 23 dBm, sınıf 3;
Bant 3: 1710 ila 1785 MHz, 23 dBm, sınıf 3;
Bant 8: 880 ila 915 MHz, 23 dBm, sınıf 3;
Bant 11: 1427,9 ila 1452,9 MHz, 23 dBm, sınıf 3;
Bant 18: 815 ila 830 MHz, 23 dBm, sınıf 3;
Bant 19: 830 ila 845 MHz, 23 dBm, sınıf 3;
Bant 21: 1447,9 ila 1462,9 MHz, 23 dBm, sınıf 3;
Bant 26: 814 ila 849 MHz, 23 dBm, sınıf 3;
Bant 28: 703 ila 748 MHz, 23 dBm, sınıf 3.

LTE TDD:

Bant 41: 2535 ila 2655 MHz, 23 dBm, sınıf 3.
WCDMA:

Bant 1: 1920 ila 1980 MHz, 23,5 dBm, sınıf 3;
Bant 6: 832,4 ila 837,6 MHz, 23,5 dBm, sınıf 3;
Bant 8: 880 ila 915 MHz, 23,5 dBm, sınıf 3;
Bant 19: 830 ila 845 MHz, 23,5 dBm, sınıf 3.

Ekipman Modeli için: DS-2TD*GLT(LA), DS-2TXS*GLT*(LA), DS-2TD*GLT(BR), DS-2TXS*GLT*(BR).

LTE FDD:

Bant 1: 1920 ila 1980 MHz, 23 dBm, sınıf 3;
Bant 2: 1850 ila 1910 MHz, 23 dBm, sınıf 3;
Bant 3: 1710 ila 1785 MHz, 23 dBm, sınıf 3;
Bant 4: 1710 ila 1755 MHz, 23 dBm, sınıf 3;
Bant 5: 824 ila 849 MHz, 23 dBm, sınıf 3;
Bant 7: 2500 ila 2570 MHz, 23 dBm, sınıf 3;
Bant 8: 880 ila 915 MHz, 23 dBm, sınıf 3;
Bant 12: 699 ila 716 MHz, 23 dBm, sınıf 3;
Bant 17: 704 ila 716 MHz, 23 dBm, sınıf 3;
Bant 28: 703 ila 748 MHz, 23 dBm, sınıf 3;
Bant 66: 1710 ila 1780 MHz, 23 dBm, sınıf 3.

LTE TDD:

Bant 38: 2570 ila 2620 MHz, 23 dBm, sınıf 3;
Bant 40: 2300 ila 2400 MHz, 23 dBm, sınıf 3.
WCDMA:

Bant 1: 1920 ila 1980 MHz, 23,5 dBm, sınıf 3;
Bant 2: 1850 ila 1910 MHz, 23,5 dBm, sınıf 3;
Bant 3: 1710 ila 1785 MHz, 23,5 dBm, sınıf 3;
Bant 5: 824 ila 849 MHz, 23,5 dBm, sınıf 3;
Bant 8: 880 ila 915 MHz, 23,5 dBm, sınıf 3.

GSM/GPRS/EDGE:

Bant GSM850: 850 MHz, 32,5 dBm, sınıf 3;
Bant GSM900: 900 MHz, 32,5 dBm, sınıf 3;
Bant DCS1800: 1800 MHz, 29,5 dBm, sınıf 3.

Beraberinde güç adaptörü verilmeyen cihaz için, kalifiye bir üretici tarafından sağlanan güç adaptörünü kullanın. Ayrıntılı güç

gereksinimleri için ürün teknik özelliklerine bakın.

Ürünle birlikte verilen pili olmayan cihaz için kalifiye bir üretici tarafından sağlanan pili kullanın. Ayrıntılı pil gereksinimleri için ürün teknik özelliklerine bakın.

Uyarı: Bu, A sınıfı bir üründür. Ev ortamında bu ürün radyo parazitine neden olabilir, bu durumda kullanıcının uygun önlemleri alması gerekebilir.



2012/19/EU (WEEE direktifi): Bu sembole sahip ürünler, Avrupa Birliği'nde ayrıştırılmamış belediye atığı olarak imha edilemez. Doğru bir geri dönüşüm için eşdeğer yeni bir ekipman aldıktan sonra bu ürünü yerel tedarikçinize iade edin veya belirlenmiş toplama noktalarına gönderin. Daha fazla bilgi için bkz: www.recyclethis.info.



2006/66/EC ve değişiklik 2013/56/AB (batarya direktifi): Bu ürün, Avrupa Birliği'nde ayrıştırılmamış belediye atığı olarak imha edilemeyen bir pil içermektedir. Pile özel bilgi edinmek için ürün belgelerine bakın. Pil, kadmiyum (Cd), kurşun (Pb) veya cıva (Hg) elementlerini gösteren harflerin de yer alabildiği bu sembole işaretlenmiştir. Doğru bir geri dönüşüm için pili tedarikçinize veya belirlenmiş toplama noktasına geri götürün. Daha fazla bilgi için bkz: www.recyclethis.info.

Güvenlik Talimatları

Bu talimatlar ile tehlikeleri veya mal kayıplarını önlemek için kullanıcının ürünü doğru şekilde kullanabilmesinin sağlanması amaçlanmıştır. Ekipmanı kullanmaya başlamadan önce lütfen tüm güvenlik bilgilerini okuyun.

Yasalar ve Yönetmelikler

Cihaz yerel yasalara, elektrik güvenliği yönetmeliklerine ve yangın önleme yönetmeliklerine uygun şekilde kullanılmalıdır.

Ulaşım

- Cihazı taşıırken orijinal ambalajının veya benzer bir ambalajın içerisine koyun.
- Ambalajından çıkardıktan sonra tüm ambalajları ileride kullanmak üzere saklayın. Herhangi bir arıza meydana gelmesi halinde cihazı orijinal sargısıyla birlikte fabrikaya iade etmeniz gerekir.
- Orijinal ambalajı olmadan taşımak cihaza zarar verebilir bu durumda şirket hiçbir sorumluluk kabul etmeyecektir.
- Ürünü düşürmeyin veya fiziksel darbeye maruz bırakmayın. Cihazı manyetik parazitten uzak tutun.

Güç Kaynağı

- Lütfen şarj cihazını kendiniz satın alın. Giriş voltajı, IEC62368 standardına göre Sınırlı Güç Kaynağını (12 VDC) karşılamalıdır. Ayrıntılı bilgi için lütfen teknik özelliklere bakın.
- Fişin elektrik prizine düzgün şekilde takıldığından emin olun.
- Priz, ekipmanın yakınına kurulmalı ve kolayca erişilebilir olmalıdır.
- Aşırı yükten kaynaklı aşırı ısınmayı veya yangın tehlikelerini önlemek için bir güç kaynağına birden fazla cihaz TAKMAYIN.
- Devre kesici kapatıldıktan sonra girişlerin çıplak metal kontaklarına DOKUNMAYIN. Elektrik hala vardır.
- + simgesi kullanılan veya doğru akım üreten ekipmanın pozitif terminalerini belirtir. - simgesi kullanılan veya doğru akım üreten ekipmanın negatif terminalerini belirtir.
- AC şebeke kaynağına bağlantı için terminallerin doğru kablo tesisatına sahip olduğundan emin olun.

Pil

- Pil yanlış bir türle değiştirildiğinde patlama riski. Bitmiş pilleri talimata göre atın.
- Dahili pil sökülemez. Gerekliyse onarım için lütfen üreticiyle iletişime geçin.
- Pil uzun süre kullanılmadan saklanacaksa pilin kalitesinin devam ettirilmesi için her altı ayda bir tam olarak şarj edilmesini sağlayın. Aksi takdirde hasar meydana gelebilir.
- Bu ekipman çocukların olma ihtimalinin bulunduğu yerlerde kullanım için uygun değildir.
- Pilin yanlış türde bir pille uygun olmayan şekilde değiştirilmesi korumayı geçersiz hâle getirebilir (örneğin, bazı lityum pil türleri).
- Pili ateşe veya sıcak fırına atmayın veya pili mekanik olarak patlayabilecek şekilde ezmeyin veya KESMEYİN.
- Pili, patlamaya veya yanıcı sıvı veya gaz sızıntısına neden olabilecek aşırı yüksek sıcaklıktaki bir ortamda bırakmayın.
- Pili, patlamaya veya yanıcı sıvı veya gaz sızıntısına neden olabilecek aşırı düşük hava basıncına maruz BIRAKMAYIN.

Işıklı Aydınlatma (Destekleniyorsa)



DİKKAT: Bu üründen olası tehlikeli optik ışınım yayılabilir. Çalışan lambaya sabit BAKMAYIN. Gözleriniz için zararlı olabilir. Uygun göz koruyucu kullanın veya kamerayı takarken, kurarken ya da kameraya bakım yaparken beyaz ışığı AÇMAYIN.

Montaj

- Ekipmanı asla sağlam olmayan bir yere yerleştirmeyin. Ekipmanın düşmesi ciddi fiziksel yaralanmalara veya ölüme neden olabilir.
- Bu ekipman sadece ilgili braketler ile kullanım içindir. Başka araçlarla (el arabaları, stantlar veya taşıyıcılar) kullanılması, yaralanmaya neden olabilecek dengesizliğe yol açabilir.

Sistem Güvenliği

- İnternetin yapısı nedeniyle güvenlik riskleri barındırdığı ve şirketimizin siber saldırı, bilgisayar korsanı saldırısı veya başka bir internet güvenlik riskinden kaynaklanan anormal çalışma, gizlilik sızıntısı veya başka zararlar için hiçbir sorumluluk almayacağını kabul edersiniz. Ancak şirketimiz gerekirse zamanında teknik destek sağlayacaktır.
- Cihaz internete bağlandığında ağ güvenliği sorunları oluşabileceğinden lütfen kişisel bilgilerinizi korunduğundan ve veri güvenliği sağlandığından emin olun. Cihazda ağ güvenliği riskleri olduğunda lütfen bizimle iletişime geçin.
- Cihazla ilgili tüm parolaları ve diğer güvenlik ayarlarını yapılandırma ve kullanıcı adınızı ve parolanızı koruma sorumluluğunun sizde olduğunu unutmayın.

Bakım

- Ürün düzgün şekilde çalışmıyorsa lütfen bayiinizle veya en yakın servis merkeziyle iletişime geçin. Yetkisin onarım veya bakımdan kaynaklanan sorunlar için herhangi bir sorumluluk kabul etmeyiz.
- Cihazın birkaç parçası (ör. Elektrolitik kapasitör) düzenli olarak değiştirilmelidir. Ortalama parça ömrü değişiklik göstermektedir bu nedenle periyodik kontrol önerilmektedir. Ayrıntılar için satıcınızla iletişime geçin.
- Cihazı temiz bir bez ve gerekirse az miktarda etanol ile hafifçe silin.
- Ekipman, üretici tarafından belirtilmeyen bir şekilde kullanılırsa cihaz tarafından sağlanan koruma bozulabilir.
- Yangın riskini azaltmak için sadece aynı tip ve değerinde sigorta ile değiştirin.
- Ekipmanın seri portu sadece hata ayıklama için kullanılır.
- Bakım sırasında güç kaynağının bağlantısını kesin.

Kullanma Ortamı

- Çalışma ortamının cihazın gereksinimlerini karşıladığından emin olun. Çalışma sıcaklığı

-40°C ila 65°C (-40°F ila 149°F) ve çalışma nemi %5 ila %95 arasında olmalıdır (yoğuşmasız).


● Cihazı yüksek elektromanyetik radyasyona sahip veya tozlu ortamlarda BULUNDURMAYIN.

● Lensi, güneşe veya herhangi bir parlak ışığa doğru tutmayın.

● Ekipman, damlayan veya sıçrayan sıvılara maruz bırakılmamalı ve ekipmanın üzerine vazo gibi içi sıvı dolu nesnelerin konulmamasına dikkat edilmelidir.

● Ekipmanın üzerine yanan mum gibi açık alev kaynakları konulmamalıdır.

● Dağ tepesi, demir kule ve orman gibi özel koşullarda ekipmanın giriş açıklığında aşırı gerilim koruyucu sağlayın.

●  Sembolü olan parçaları tuttuğunuzda parmaklarınız yanabilir. Kapattıktan sonra parçaları tutmadan önce bir buçuk saat bekleyin.

Acil Durum

● Cihazdan duman, koku veya ses geliyorsa hemen gücü kapatarak güç kablosunun bağlantısını kesin ve servis merkeziyle iletişime geçin.

Üretim Adresi

No. 555 Qianmo Road, Binjiang District, Hangzhou 310052, Çin
Hangzhou Hikvision Digital Technology Co.,Ltd.

UYGUNLUK BİLDİRİMİ: Termal serisi ürünler, sınırlama olmaksızın Amerika Birleşik Devletleri, Avrupa Birliği, Birleşik Krallık ve/veya Wassenaar Düzenlemesinin diğer üye ülkeleri dahil olmak üzere çeşitli ülke veya bölgelerde ihracat kontrollerine tabi olabilir. Termal serisi ürünleri farklı ülkeler arasında transfer etmeyi, ihrac etmeyi veya yeniden ihrac etmeyi düşünüyorsanız, lütfen gerekli ihracat lisansı gereklilikleri için profesyonel hukuk veya uyum uzmanınıza veya yerel hükümet yetkililerine danışın.

Русский



Внешний вид изделия зависит от конкретной модели. Рисунки приведены только для справки.

Внешний вид (стр. 1 – А)

Компонент и кабель

№	Компоненты и интерфейс
1	Камера
2	Солнечная фотоэлектрическая панель
3	Соединительный кронштейн
4	Аудиовход, аудиовыход
5	Вход сигнала тревоги × 2, выход сигнала тревоги × 2
6	Сетевой кабель
7	RS-485, кабель питания

Установка комплекта камеры (стр. 1 – В)

Порядок действий:

1. Установите камеру на соединительный кронштейн.
 - 1) Ослабьте и снимите винты с боковой части кронштейна, чтобы разобрать основание.
 - 2) Присоедините основание к нижней части камеры с помощью двух винтов HSF UNC1-4-20X12.
 - 3) Совместите отверстия на основании с отверстиями в кронштейне и закрепите

основание на кронштейне с помощью снятых ранее винтов.

2. Пропустите более длинные кабели, такие как кабель питания и RS-485, через соединительный кронштейн, и обмотайте другие кабели водонепроницаемой лентой для герметизации.
3. Установите батарею в солнечную фотоэлектрическую панель.

Примечание: солнечная батарея не входит в комплект поставки. Приобретите ее отдельно.

4. Установите соединительный кронштейн на солнечную панель. Пропустите кабели RS-485 и питания через отверстия в панели переключения, совместите отверстие в соединительном кронштейне с отверстием на панели переключения и затяните винты для их закрепления.
5. Ослабьте и удалите винты, чтобы разобрать крышку соединительной коробки.
6. Пропустите кабель вывода солнечной панели и кабель вывода батареи через отверстия в соединительной коробке, и пропустите кабели питания и RS-485 камеры через отверстия в панели переключения и соединительной

коробке. Подсоедините кабели и закрепите крышку соединительной коробки винтами.

Примечание: оберните место соединения водонепроницаемой лентой для герметизации.

7. Выберите подходящую высоту для установки комплекта. Извлеките крепление на вертикальный столб, пакет винтов для крепления и крепежный стержень, вкрутите в отверстия в крепление на вертикальный столб и крепежном стержне четыре болта M12 и затяните каждый болт с плоской прокладкой и двумя гайками.
8. Зафиксируйте комплект на креплении на вертикальный столб, используя плоские прокладки, пружинные шайбы и гайки.
9. Намотайте защитный трос на вертикальный столб и зафиксируйте замок на защитном тросе.
10. Отрегулируйте углы солнечной фотоэлектрической панели и камеры.

Установите с одной камерой (стр. 6 – С)

Установка на стену (стр. 6 – С.1)

Порядок действий:

1. Ослабьте и снимите винты с боковой части кронштейна, чтобы разобрать основание, и прикрепите основание к нижней части камеры с помощью двух винтов UNC1-4.
2. Совместите отверстия на основании с отверстиями в кронштейне и закрепите основание на кронштейне с помощью снятых ранее винтов.
3. Просверлите четыре отверстия в стене по шаблону для сверления.
4. Закрепите камеру на стене с помощью анкерных болтов, прокладок и гаек.
5. Ослабьте винты на шарнире для регулировки угла наклона камеры и ослабьте винты внизу основания для регулировки угла поворота камеры. После регулировки затяните винты.

Установка на столб (стр. 7 – С.2)

1. Ослабьте и снимите винты с боковой части кронштейна, чтобы разобрать основание, и прикрепите основание к нижней части камеры с помощью двух винтов UNC1-4.
2. Совместите отверстия на основании с отверстиями в кронштейне и закрепите основание на кронштейне с помощью снятых ранее винтов.

3. Пропустите три быстродействующих замка через кронштейн для крепления на столб и закрепите кронштейн на столбе.
4. Закрепите камеру на кронштейне для установки на столб с помощью четырех винтов M4.
5. Ослабьте винты на шарнире для регулировки угла наклона камеры и ослабьте винты внизу основания для регулировки угла поворота камеры. После регулировки затяните винты.

Способ герметизации (стр. 8)

1. Установите водонепроницаемую оболочку для сетевого кабеля (стр. 8 – D).
2. Используйте предоставленную водонепроницаемую ленту для защиты разъемов кабеля и неиспользуемых кабелей (стр. 8 – E).

Меры защиты (стр. 9 – F – 1)

Активация устройство и доступ к нему (стр. 9 – F – 2)

Руководство пользователя



Соответствие нормативным требованиям и инструкции по технике безопасности

Перед использованием устройства внимательно прочтите всю информацию и указания, содержащиеся в данном документе, и сохраните его для дальнейшего использования.

Для получения дополнительных инструкций или информации об устройстве посетите наш сайт

<https://www.hikvision.com>. Для получения дополнительной информации вы также можете обратиться к другим прилагаемым к устройству документам (при их наличии) или отсканировать QR-код на упаковке (при его наличии).

Нормативно-правовая информация

ОГРАНИЧЕНИЕ ОТВЕТСТВЕННОСТИ

В МАКСИМАЛЬНОЙ СТЕПЕНИ, РАЗРЕШЕННОЙ ДЕЙСТВУЮЩИМ ЗАКОНОДАТЕЛЬСТВОМ, ДАННОЕ РУКОВОДСТВО И ОПИСАНИЕ ИЗДЕЛИЯ ВМЕСТЕ С АППАРАТНОЙ ЧАСТЬЮ,

ПРОГРАММНЫМ ОБЕСПЕЧЕНИЕМ И ВСТРОЕННОЙ МИКРОПРОГРАММОЙ ПРЕДСТАВЛЯЮТСЯ ПО ПРИНЦИПУ «КАК ЕСТЬ» И «СО ВСЕМИ ВОЗМОЖНЫМИ НЕПОЛАДКАМИ И ОШИБКАМИ». КОМПАНИЯ HIKVISION НЕ ДАЕТ НИ ЯВНЫХ, НИ ПОДРАЗУМЕВАЕМЫХ ГАРАНТИЙ, В ТОМ ЧИСЛЕ ГАРАНТИЙ ТОВАРНОЙ ПРИГОДНОСТИ И УДОВЛЕТВОРИТЕЛЬНОГО КАЧЕСТВА, КАК И ПРИГОДНОСТИ ДЛЯ КОНКРЕТНЫХ ЦЕЛЕЙ. ПОТРЕБИТЕЛЬ ИСПОЛЬЗУЕТ ИЗДЕЛИЕ НА СВОЙ СТРАХ И РИСК. НИ ПРИ КАКИХ ОБСТОЯТЕЛЬСТВАХ КОМПАНИЯ HIKVISION НЕ НЕСЕТ ОТВЕТСТВЕННОСТИ ПЕРЕД ПОТРЕБИТЕЛЕМ НИ ЗА ФАКТИЧЕСКИ ПОНЕСЕННЫЙ, НИ ЗА ПОСЛЕДУЮЩИЙ, КАК ПРЯМОЙ, ТАК И КОСВЕННЫЙ, УЩЕРБ, ВКЛЮЧАЯ УБЫТКИ В ВИДЕ УПУЩЕННОЙ ПРИБЫЛИ, ПЕРЕРЫВОВ В ДЕЯТЕЛЬНОСТИ, ПОТЕРИ ДАННЫХ, ДОКУМЕНТАЦИИ ИЛИ ПОВРЕЖДЕНИЯ СИСТЕМ, БУДЬ ТО ПО ПРИЧИНЕ НАРУШЕНИЯ ДОГОВОРА, ПРОТИВОПРАВНЫХ ДЕЙСТВИЙ (В ТОМ ЧИСЛЕ ХАЛАТНОСТИ), НАСТУПЛЕНИЯ ОТВЕТСТВЕННОСТИ ЗА ИЗДЕЛИЕ ИЛИ ИНЫХ ОБСТОЯТЕЛЬСТВ В СВЯЗИ С ИСПОЛЬЗОВАНИЕМ ДАННОГО ИЗДЕЛИЯ, ДАЖЕ ЕСЛИ КОМПАНИИ HIKVISION БЫЛО ИЗВЕСТНО О ВОЗМОЖНОСТИ ТАКОГО УЩЕРБА И УБЫТКОВ.

ПОТРЕБИТЕЛЬ ОСОЗНАЕТ, ЧТО ИНТЕРНЕТ ПО СВОЕЙ ПРИРОДЕ ЯВЛЯЕТСЯ ИСТОЧНИКОМ ПОВЫШЕННОГО РИСКА БЕЗОПАСНОСТИ, И КОМПАНИЯ HIKVISION НЕ НЕСЕТ ОТВЕТСТВЕННОСТИ ЗА СБОИ В РАБОТЕ ОБОРУДОВАНИЯ, УТЕЧКУ ИНФОРМАЦИИ И ДРУГОЙ УЩЕРБ, ВЫЗВАННЫЙ КИБЕРАТАКАМИ, ХАКЕРАМИ, ВИРУСАМИ ИЛИ СЕТЕВЫМИ УГРОЗАМИ; ОДНАКО HIKVISION ОБЕСПЕЧИВАЕТ СВОЕВРЕМЕННУЮ ТЕХНИЧЕСКУЮ ПОДДЕРЖКУ, ЕСЛИ ЭТО НЕОБХОДИМО. ПОТРЕБИТЕЛЬ СОГЛАШАЕТСЯ ИСПОЛЬЗОВАТЬ ДАННОЕ ИЗДЕЛИЕ В СООТВЕТСТВИИ СО ВСЕМИ ПРИМЕНИМЫМИ ЗАКОНАМИ И НЕСЕТ ЛИЧНУЮ ОТВЕТСТВЕННОСТЬ ЗА ИХ СОБЛЮДЕНИЕ. В ЧАСТНОСТИ, ПОТРЕБИТЕЛЬ НЕСЕТ ОТВЕТСТВЕННОСТЬ ЗА ИСПОЛЬЗОВАНИЕ ДАННОГО ИЗДЕЛИЯ БЕЗ НАРУШЕНИЯ ПРАВ ТРЕТЬИХ ЛИЦ, В ТОМ ЧИСЛЕ ПРАВ НА ПУБЛИЧНОСТЬ, ИНТЕЛЛЕКТУАЛЬНУЮ СОБСТВЕННОСТЬ И ЗАЩИТУ ДАННЫХ И ДРУГИХ ПРАВ НА

СОХРАНЕНИЕ КОНФИДЕНЦИАЛЬНОСТИ. ПОТРЕБИТЕЛЬ ОБЯЗУЕТСЯ НЕ ИСПОЛЬЗОВАТЬ ЭТО ИЗДЕЛИЕ В ЗАПРЕЩЕННЫХ ЦЕЛЯХ, В ТОМ ЧИСЛЕ ДЛЯ РАЗРАБОТКИ ИЛИ ПРОИЗВОДСТВА ОРУЖИЯ МАССОВОГО УНИЧТОЖЕНИЯ, ХИМИЧЕСКОГО ИЛИ БИОЛОГИЧЕСКОГО ОРУЖИЯ, ОСУЩЕСТВЛЕНИЯ КАКОЙ-ЛИБО ДЕЯТЕЛЬНОСТИ В КОНТЕКСТЕ ЯДЕРНОГО ОРУЖИЯ, НЕБЕЗОПАСНЫХ ОПЕРАЦИЙ С ЯДЕРНЫМ ТОПЛИВОМ ИЛИ ДЛЯ ПОДДЕРЖКИ НАРУШЕНИЙ ПРАВ ЧЕЛОВЕКА.

В СЛУЧАЕ РАЗНОЧТЕНИЙ МЕЖДУ НАСТОЯЩИМ РУКОВОДСТВОМ И ДЕЙСТВУЮЩИМ ЗАКОНОДАТЕЛЬСТВОМ ПРИОРИТЕТ ИМЕЕТ ПОСЛЕДНЕЕ.

Нормативная информация

Данные положения применяются только в том случае, если изделие снабжено соответствующей отметкой или информацией.

Декларация соответствия EU

CE Настоящее изделие и аксессуары, входящие в комплект его поставки, отмечены символом «CE», который обозначает их соответствие согласованным Европейским стандартам, перечисленным в Директивах 2014/30/EU (EMCD), 2014/35/EU (LVD) и 2011/65/EU (RoHS).

Настоящим компания Hangzhou Hikvision Digital Technology Co., Ltd. заявляет, что данное изделие (см. этикетку) соответствует Директиве 2014/53/EU.

Полный текст декларации о соответствии нормативным требованиям EU доступен по следующему адресу:
<https://www.hikvision.com/en/support/compliance/declaration-of-conformity>.

Частотные диапазоны и мощность (для CE)

Ниже приведены частотные диапазоны и номинальные пределы мощности передачи (излучаемой и/или проводимой) для следующего радиооборудования: Wi-Fi 2.4 ГГц (от 2,4 ГГц до 2,4835 ГГц): 20 дБм.

Для модели оборудования: DS-2TD*GLT, DS-2TXS*GLT*.

LTE FDD:

Полоса 1: 1920 – 1980 МГц, 23 дБм, класс 3;

Полоса 3: 1710 – 1785 МГц, 23 дБм, класс 3;

Полоса 5: 824 – 849 МГц, 23 дБм, класс 3;
 Полоса 7: 2500 – 2570 МГц, 23 дБм, класс 3;
 Полоса 8: 880 – 915 МГц, 23 дБм, класс 3;
 Полоса 20: 832 – 862 МГц, 23 дБм, класс 3;
 Полоса 28: 703 – 748 МГц, 23 дБм, класс 3.
 LTE TDD:

Полоса 38: 2570 – 2620 МГц, 23 дБм, класс 3;
 Полоса 40: 2300 – 2400 МГц, 23 дБм, класс 3;
 Полоса 41: 2555 – 2655 МГц, 23 дБм, класс 3.

WCDMA:

Полоса 1: 1920 – 1980 МГц, 23,5 дБм, класс 3;
 Полоса 5: 824 – 849 МГц, 23,5 дБм, класс 3;
 Полоса 8: 880 – 915 МГц, 23,5 дБм, класс 3.

Для модели оборудования: DS-2TD*GLT(JP), DS-2TXS*GLT*(JP).

LTE FDD:

Полоса 1: 1920 – 1980 МГц, 23 дБм, класс 3;
 Полоса 3: 1710 – 1785 МГц, 23 дБм, класс 3;
 Полоса 8: 880 – 915 МГц, 23 дБм, класс 3;
 Полоса 11: 1427,9 – 1452,9 МГц, 23 дБм, класс 3;
 Полоса 18: 815 – 830 МГц, 23 дБм, класс 3;
 Полоса 19: 830 – 845 МГц, 23 дБм, класс 3;
 Полоса 21: 1447,9 – 1462,9 МГц, 23 дБм, класс 3;

Полоса 26: 814 – 849 МГц, 23 дБм, класс 3;
 Полоса 28: 703 – 748 МГц, 23 дБм, класс 3.

LTE TDD:

Полоса 41: 2535 – 2655 МГц, 23 дБм, класс 3.

WCDMA:

Полоса 1: 1920 – 1980 МГц, 23,5 дБм, класс 3;
 Полоса 6: 832,4 – 837,6 МГц, 23,5 дБм, класс 3;

Полоса 8: 880 – 915 МГц, 23,5 дБм, класс 3;
 Полоса 19: 830 – 845 МГц, 23,5 дБм, класс 3.

Для модели оборудования: DS-2TD*GLT(LA), DS-2TXS*GLT*(LA), DS-2TD*GLT(BR), DS-2TXS*GLT*(BR).

LTE FDD:

Полоса 1: 1920 – 1980 МГц, 23 дБм, класс 3;
 Полоса 2: 1850 – 1910 МГц, 23 дБм, класс 3;
 Полоса 3: 1710 – 1785 МГц, 23 дБм, класс 3;
 Полоса 4: 1710 – 1755 МГц, 23 дБм, класс 3;
 Полоса 5: 824 – 849 МГц, 23 дБм, класс 3;
 Полоса 7: 2500 – 2570 МГц, 23 дБм, класс 3;
 Полоса 8: 880 – 915 МГц, 23 дБм, класс 3;
 Полоса 12: 699 – 716 МГц, 23 дБм, класс 3;

Полоса 17: 704 – 716 МГц, 23 дБм, класс 3;
 Полоса 28: 703 – 748 МГц, 23 дБм, класс 3;
 Полоса 66: 1710 – 1780 МГц, 23 дБм, класс 3.

LTE TDD:

Полоса 38: 2570 – 2620 МГц, 23 дБм, класс 3;
 Полоса 40: 2300 – 2400 МГц, 23 дБм, класс 3.

WCDMA:

Полоса 1: 1920 – 1980 МГц, 23,5 дБм, класс 3;
 Полоса 2: 1850 – 1910 МГц, 23,5 дБм, класс 3;

Полоса 3: 1710 – 1785 МГц, 23,5 дБм, класс 3;

Полоса 5: 824 – 849 МГц, 23,5 дБм, класс 3;
 Полоса 8: 880 – 915 МГц, 23,5 дБм, класс 3.
 GSM/GPRS/EDGE:

Полоса GSM850: 850 МГц, 32,5 дБм, класс 3;
 Полоса GSM900: 900 МГц, 32,5 дБм, класс 3;
 Полоса DCS1800: 1800 МГц, 29,5 дБм, класс 3.

Если устройство не укомплектовано адаптером питания, используйте адаптер питания разрешенного изготовителя. Требования по электропитанию подробно описаны в технических характеристиках изделия.

Если устройство не укомплектовано батареей, используйте батарею разрешенного изготовителя. Требования к батарее подробно описаны в технических характеристиках изделия.

Внимание! Данное оборудование относится к классу А. При использовании в бытовых целях данное оборудование может вызвать радиопомехи. В этом случае пользователю может потребоваться предпринять адекватные меры по их устранению.



Директива WEEE 2012/19/EU (по утилизации отходов электрического и электронного оборудования): Изделия,

отмеченные этим символом, запрещено утилизировать в Европейском союзе в качестве несортированных бытовых отходов. Для надлежащей переработки возвратите это изделие местному поставщику после покупки эквивалентного нового оборудования или утилизируйте его в предназначенных для этого пунктах сбора отходов. Для

получения дополнительной информации посетите веб-сайт: www.recyclethis.info.



Директива 2006/66/ЕС и поправка к ней 2013/56/EU (сведения о батарее): Это изделие содержит батарею, которую запрещено

утилизировать в Европейском союзе в качестве несортированных бытовых отходов. Для получения конкретной информации о батарее см. документацию к изделию. Маркировка батареи может включать в себя символы, которые обозначают ее химический состав: кадмий (Cd), свинец (Pb) или ртуть (Hg). Для надлежащей утилизации отправьте батарею местному поставщику или утилизируйте ее в специальных пунктах приема отходов. Для получения дополнительной информации посетите веб-сайт www.recyclethis.info.

Инструкции по безопасности

Настоящие инструкции предназначены для того, чтобы пользователь мог правильно использовать устройство, чтобы избежать опасности или потери имущества. Перед использованием внимательно ознакомьтесь с информацией по технике безопасности.

Законодательные акты и нормативные документы

При использовании этого устройства необходимо соблюдать местное законодательство, правила безопасной эксплуатации электрооборудования и правила противопожарной безопасности.

Транспортировка

- Используйте оригинальную или схожую упаковку для транспортировки устройства.
- После распаковки сохраните упаковочные материалы для дальнейшего использования. В случае неисправности вам потребуется вернуть устройство на завод в оригинальной упаковке.
- Транспортировка без оригинальной упаковки может привести к повреждению устройства, и компания не будет нести за это ответственности.

- Не роняйте и не ударяйте устройство. Устройство необходимо размещать вдали от источников электромагнитных помех.

Электропитание

- Приобретите зарядное устройство самостоятельно. Входное напряжение должно соответствовать ограниченному

источнику питания (12 В постоянного тока) в соответствии со стандартом IEC62368.

Подробная информация приведена в таблице технических данных.

- Убедитесь, что вилка правильно подключена к розетке электропитания.
- Электрическая розетка должна находиться рядом с устройством и должна быть легко доступна.
- Во избежание перегрева или возгорания из-за перегрузки ЗАПРЕЩАЕТСЯ подключать несколько устройств к одному адаптеру питания.
- НЕ ПРИКАСАЙТЕСЬ к оголенным металлическим контактам на входах после отключения автоматического выключателя цепи. На них остается электрический заряд.
- + обозначает положительный контакт оборудования, который должен подключаться к источнику постоянного тока. - обозначает отрицательный контакт оборудования, который должен подключаться к источнику постоянного тока.
- Проверьте правильность подключения клемм к сети переменного тока.

Аккумулятор

- При установке батареи недопустимого типа существует риск взрыва. Утилизируйте использованные батареи в соответствии с инструкциями.
- Встроенная батарея не подлежит разборке. В случае необходимости ремонта обратитесь к производителю.
- При длительном хранении батареи полностью заряжайте ее каждые полгода, чтобы обеспечить ее работоспособность. В противном случае батарея может выйти из строя.
- Данное устройство не предназначено для использования в тех местах, где могут находиться дети.
- Установка батареи недопустимого типа может создать угрозу для безопасности (например, в случае некоторых типов литиевых батарей).
- Не бросайте батарею в огонь или горячую печь, не сдавливайте и не разрезайте батарею, поскольку это может привести к взрыву.
- Нахождение батареи в среде с чрезвычайно высокой температурой может привести к взрыву или к утечке горячей жидкости или газа.
- Нахождение батареи в среде с

чрезвычайно низким давлением воздуха может привести к взрыву или к утечке горючей жидкости или газа.

Устройство подсветки (если поддерживается)



ОСТОРОЖНО! Данное изделие может испускать опасное оптическое излучение.

Запрещается смотреть на работающую лампу. Это может быть вредно для глаз.

Во время сборки, установки или обслуживания камеры необходимо носить соответствующие средства защиты глаз и **ЗАПРЕЩАЕТСЯ** включать белый свет.

Установка

- Никогда не ставьте оборудование на неустойчивую поверхность. Падение оборудования на человека может стать причиной серьезных травм или смерти.
- Данное оборудование предназначено для использования только с подходящими кронштейнами. Использование оборудования с другими принадлежностями (тележками, подставками или держателями) может привести к травмам в результате неустойчивости устройства.

Безопасность системы

- Вы осознаете, что интернет по своей природе является источником повышенного риска безопасности, и наша компания не несет ответственности за сбои в работе оборудования, утечку информации и другой ущерб, вызванный кибератаками, хакерами; однако наша компания обеспечивает своевременную техническую поддержку, если это необходимо.
- Обязательно обеспечьте защиту личной информации и безопасность данных, поскольку при подключении устройства к сети Интернет могут возникнуть проблемы, связанные с сетевой безопасностью. Свяжитесь с нами, если при эксплуатации устройства возникает угроза безопасности сети.
- Помните, что вы несете ответственность за конфигурирование всех паролей и прочих параметров безопасности устройства, а также за сохранность своего имени пользователя и пароля.

Техническое обслуживание

- Если изделие не работает должным образом, обратитесь к дилеру или к

специалистам ближайшего сервисного центра. Компания-изготовитель не несет ответственности за неисправности, возникшие в результате несанкционированного ремонта или технического обслуживания.

- Некоторые компоненты устройства (например, электролитические конденсаторы) требуют регулярной замены. Средний срок службы этих компонентов может различаться, поэтому советуем периодически их проверять. Подробности уточняйте у продавца.
- При необходимости осторожно протрите устройство чистой салфеткой, смоченной небольшим количеством этилового спирта.
- Если оборудование используется способом, не указанным производителем, обеспечиваемая устройством безопасность может быть нарушена.
- Для снижения риска возникновения пожара используйте для замены предохранителя только соответствующего типа и номинала.
- Последовательный порт оборудования предназначен только для отладки.
- Отключите источник электропитания перед техническим обслуживанием устройства.

Требования к рабочей среде

- Убедитесь, что рабочая среда удовлетворяет требованиям надлежащей работы устройства. Рабочая температура должна находиться в диапазоне от -40 °C до 65 °C (от -40 °F до 149 °F), влажность — в диапазоне от 5% до 95%, без конденсации.
- **ЗАПРЕЩАЕТСЯ** устанавливать устройство в условиях воздействия сильного электромагнитного излучения или в пыльной среде.
- Не направляйте объектив устройства на солнце или другие яркие источники света.
- Устройство не должно подвергаться воздействию капель и брызг; не допускается ставить на него предметы, наполненные жидкостью, например, вазы с цветами.
- Не ставьте на устройство источники открытого огня, например горящие свечи.
- В особых условиях, таких как горные вершины, железные башни и лесные массивы, установите ограничитель перенапряжения на входе оборудования.



- Опасность ожога пальцев при

обращении с деталями, обозначенными символом. Перед прикосновением к деталям устройства подождите полчаса после его выключения.

Кнопка подачи экстренного сигнала тревоги

• При появлении дыма, необычного запаха или шума немедленно отключите питание устройства, извлеките вилку кабеля питания из розетки и обратитесь в сервисный центр.

Адрес производителя

555 Кианмо Роуд, район Биньцзян, Ханчжоу 310052, Китай
Hangzhou Hikvision Digital Technology Co.,

Ltd.

УВЕДОМЛЕНИЕ О СООТВЕТСТВИИ: В различных странах и регионах, включая США, ЕС, Великобританию и/или другие страны, подписавшие Вассенарские соглашения, на тепловизионные устройства могут распространяться правила экспортного контроля. При необходимости транспортировки между странами, экспорта или реэкспорта тепловизионных устройств обратитесь к юристу, специалисту по соблюдению нормативно-правового соответствия или местным органам власти для получения информации о разрешении на экспорт.

Українська



Зовнішній вигляд виробу зображено лише для довідки; вигляд фактичного виробу може відрізнятись.

Зовнішній вигляд (стор. 1 – А)

Компоненти й кабелі

№	Компоненти й інтерфейс
1	Камера
2	Сонячна фотоелектрична панель
3	З'єднувальний кронштейн
4	Аудіовхід, аудіовихід
5	Тривожний вхід × 2, тривожний вихід × 2
6	Мережевий кабель
7	Кабель RS-485, кабель живлення

Установлення комплекту камери

(стор. 1 – В)

Порядок установки:

1. Встановіть камеру на з'єднувальний кронштейн.
 - 1) Послабте та видаліть гвинти збоку кронштейна, щоб від'єднати основу.
 - 2) Прикріпіть основу до нижньої частини камери двома гвинтами HSF UNC1-4-20X12.
 - 3) Досягніть збігу отворів на основі з отворами на кронштейні та закріпіть основу на кронштейні за допомогою гвинтів, які були раніше видалені.
2. Протягніть довгі кабелі, такі як кабель живлення та кабель RS-485, через з'єднувальний кронштейн, а інші кабелі оберніть водонепроникними стрічками для герметизації.
3. Встановіть акумуляторну батарею в

сонячну фотоелектричну панель.

Примітка: акумуляторна батарея у комплект поставки не входить. Придбайте його окремо.

4. Під'єднайте з'єднувальний кронштейн до сонячної панелі. Протягніть кабель RS-485 і кабель живлення через отвори на панелі, яка зсувається, досягніть збігу отворів на з'єднувальному кронштейні з отворами на панелі, яка зсувається, та затягніть гвинти, щоб з'єднати їх.
5. Послабте та видаліть гвинти, щоб відкрити кришку коробки проводів.
6. Протягніть вихідний кабель сонячної панелі та вихідний кабель акумуляторної батареї через отвори у коробці проводів, а кабель живлення та кабель RS-485 камери протягніть через отвори у панелі, яка зсувається, та у коробці проводів. З'єднайте кабелі та затягніть гвинти, щоб встановити кришку коробки проводів.

Примітка: місце з'єднання оберніть водонепроникними стрічками для герметизації.

7. Виберіть відповідну висоту для встановлення комплекту. Вийміть кріплення на вертикальну опору, пакет гвинтів для кріплення та монтажну планку, вставте в отвори у кріпленні на вертикальну опору та монтажній планці чотири болти M12 і затягніть кожен болт, використавши шайбу та дві гайки.
8. Зачепіть комплект за кронштейн кріплення на вертикальну опору та зафіксуйте його, використавши шайби, пружинні шайби та гайки.
9. Намотайте страхувальну мотузку

навколо вертикальної опори та застебніть замок на страхувальній мотузці.

10. Відрегулюйте кути нахилу сонячної фотоелектричної панелі та камери.

Установлення однієї камери (стор. 6 – С)

Кріплення на стіну (стор. 6 – С.1)

Порядок установлення:

1. Послабте та видаліть гвинти збоку кронштейна, щоб від'єднати основу, і прикріпіть основу до нижньої частини камери двома гвинтами UNC1-4.
2. Досягніть збігу отворів на основі з отворами на кронштейні та закріпіть основу на кронштейні за допомогою гвинтів, які були раніше видалені.
3. Просвердліть чотири отвори в стіні відповідно до шаблону для свердління.
4. Закріпіть камеру на стіні за допомогою розширювальних болтів, шайб і гайок.
5. Послабте гвинти на з'єднанні, щоб відрегулювати кут нахилу камери, і послабте гвинти в нижній частині основи, щоб відрегулювати кут повороту камери. Після регулювання затягніть гвинти.

Кріплення на опору (стор. 7 – С.2)

1. Послабте та видаліть гвинти збоку кронштейна, щоб від'єднати основу, і прикріпіть основу до нижньої частини камери двома гвинтами UNC1-4.
2. Досягніть збігу отворів на основі з отворами на кронштейні та закріпіть основу на кронштейні за допомогою гвинтів, які були раніше видалені.
3. Протягніть через кронштейн для кріплення на опорі три бандажні стрічки для швидкої фіксації та закріпіть кронштейн на опорі.
4. Закріпіть камеру на кронштейні для кріплення на опорі за допомогою чотирьох гвинтів M4.
5. Послабте гвинти на з'єднанні, щоб відрегулювати кут нахилу камери, і послабте гвинти в нижній частині основи, щоб відрегулювати кут повороту камери. Після регулювання затягніть гвинти.

Забезпечення водонепроникності (стор. 8)

1. Установіть водонепроникну оболонку мережевого кабелю (стор. 8 – D).
2. Захистіть кабельні з'єднувачі та незадіяні кабелі водонепроникною стрічкою, яка входить у комплект (стор. 8 – E).

Заходи захисту (стор. 9 – F – 1)

Активация пристрою та доступ до нього (стор. 9 – F – 2)

Інструкція користувача



Відповідність нормативним вимогам та інформація щодо техніки безпеки

Прочитайте всю інформацію й указівки, що містяться в цьому документі, та збережіть його для подальшого використання.

Для отримання більш детальної інформації про пристрій і вказівки щодо його використання відвідайте наш вебсайт:

<https://www.hikvision.com>. Крім того, щоб отримати більш детальну інформацію, ви можете звернутися до інших документів (якщо є), які постачаються разом із пристроєм, або відсканувати QR-код (якщо є) на упаковці.

Юридична інформація

ОБМЕЖЕННЯ ВІДПОВІДАЛЬНОСТІ

В МАКСИМАЛЬНИХ МЕЖАХ, ДОЗВОЛЕНИХ ЗАСТОСОВУВАННЯМ ЗАКОНОМ, ЦЕ КЕРІВНИЦТВО ТА ОПИСАНИЙ ВИРІБ, З ЙОГО АПАРАТНИМ, ПРОГРАМНИМ ТА МІКРОПРОГРАМНИМ ЗАБЕЗПЕЧЕННЯМ, НАДАЮТЬСЯ «ЯК Є» ТА «ЗІ ВСІМА НЕДОЛІКАМИ ТА ПОМИЛКАМИ». HIKVISION НЕ НАДАЄ ЖОДНИХ ГАРАНТІЙ, ЯВНИХ АБО ОЧІКУВАНИХ, ВКЛЮЧАЮЧИ, БЕЗ ОБМЕЖЕНЬ, КОМЕРЦІЙНІ ЯКОСТІ, ЗАДОВІЛЬНУ ЯКІСТЬ АБО ПРИДАТНІСТЬ ДЛЯ ХАРАКТЕРНОЇ МЕТИ. ВИКОРИСТАННЯ ВИРОБУ ВІДБУВАЄТЬСЯ НА ВАШ ВЛАСНИЙ РИЗИК. КОМПАНІЯ HIKVISION НІ В ЯКОМУ РАЗІ НЕ НЕСЕ ВІДПОВІДАЛЬНОСТІ ПЕРЕД ВАМИ ЗА БУДЬ-ЯКІ СПЕЦІАЛЬНІ, ЛОГІЧНО ВИТКАЮЧІ, ВИПАДКОВІ АБО НЕПРЯМІ ЗБИТКИ, ВКЛЮЧАЮЧИ, КРІМ ІНШОГО, ПОШКОДЖЕННЯ, ЩО ВЕДУТЬ ДО ВТРАТИ КОМЕРЦІЙНОГО ПРИБУТКУ, ПЕРЕРИВАННЯ ДІЛОВОЇ АКТИВНОСТІ АБО ВТРАТИ ДАНИХ, ПСУВАННЯ СИСТЕМ АБО ВТРАТИ ДОКУМЕНТАЦІЇ, НЕВАЖЛИВО, ЧИ ВНАСЛІДОК ПОРУШЕННЯ КОНТРАКТУ, ЦИВІЛЬНОГО ПРАВОПОРУШЕННЯ (ВКЛЮЧАЮЧИ НЕДБАЛІСТЬ), ВІДПОВІДАЛЬНОСТІ ЗА ВИРІБ, АБО ІНШИМ

ЧИНОМ, ПОВ'ЯЗАНИХ З ВИКОРИСТАННЯМ ВИРОБУ, НАВІТЬ ЯКЩО КОМПАНІЯ HIKVISION ПОВІДОМЛЯЛА ПРО МОЖЛИВІСТЬ ТАКИХ ЗБИТКІВ АБО ВТРАТ. ВИ УСВІДОМЛЮЄТЕ, ЩО ПРИБОРА ІНТЕРНЕТУ НЕСЕ ПРИТАМАННІ РИЗИКИ ДЛЯ БЕЗПЕКИ, І КОМПАНІЯ HIKVISION НЕ БЕРЕ НА СЕБЕ НІЯКОЇ ВІДПОВІДАЛЬНОСТІ ЗА НЕНОРМАЛЬНУ РОБОТУ, ВТРАТУ КОНФІДЕНЦІЙНОСТІ АБО ІНШІ ЗБИТКИ В РЕЗУЛЬТАТІ КІБЕР-АТАК, ХАКЕРСЬКИХ АТАК, ЗАРАЖЕНЬ ВІРУСАМИ АБО ІНШИХ РИЗИКІВ ДЛЯ БЕЗПЕКИ В ІНТЕРНЕТІ, ОДНАК, КОМПАНІЯ HIKVISION В РАЗІ НЕОБХІДНОСТІ НАДАСТЬ СВОЄЧАСНУ ТЕХНІЧНУ ПІДТРИМКУ.

ВИ ПОГОДЖУЄТЕСЬ ВИКОРИСТОВУВАТИ ЦЕЙ ВИРІБ У ВІДПОВІДНОСТІ ДО ВСІХ ЗАСТОСОВУВАНИХ ЗАКОНІВ, І ВИ НЕСЕТЕ ОДНОСИБНУ ВІДПОВІДАЛЬНОСТІ ЗА ЗАБЕЗПЕЧЕННЯ ВИКОРИСТАННЯ ВИРОБУ ВІДПОВІДНО ДО ЗАСТОСОВУВАНОВОГО ЗАКОНУ. ЗОКРЕМА, ВИ НЕСЕТЕ ВІДПОВІДАЛЬНОСТІ ЗА ВИКОРИСТАННЯ ЦЬОГО ВИРОБУ СПОСОБОМ, ЯКИЙ НЕ ПОРУШУЄ ПРАВА ТРЕТІХ СТОРІН, ВКЛЮЧАЮЧИ, БЕЗ ОБМЕЖЕНЬ, ПРАВА РОЗГОЛОШЕННЯ, ПРАВА ІНТЕЛЕКТУАЛЬНОЇ ВЛАСНОСТІ ТА ІНШІ ПРАВА ЩОДО КОНФІДЕНЦІЙНОСТІ. ВИ НЕ ПОВИННІ ВИКОРИСТОВУВАТИ ЦЕЙ ВИРІБ ДЛЯ БУДЬ-ЯКОГО ЗАБОРОНЕНОГО КІНЦЕВОГО ПРИЗНАЧЕННЯ, ВКЛЮЧАЮЧИ РОЗРОБКУ ЧИ ВИРОБНИЦТВО ЗБРОЇ МАСОВОГО ЗНИЩЕННЯ, РОЗРОБКУ ЧИ ВИРОБНИЦТВО ХІМІЧНОЇ АБО БІОЛОГІЧНОЇ ЗБРОЇ, БУДЬ-ЯКІ ДІЇ В КОНТЕКСТІ, ПОВ'ЯЗАНОМУ З ЯДЕРНОЮ ВИБУХОВОЮ РЕЧОВИНОЮ АБО НЕБЕЗПЕЧНИМ ЯДЕРНИМ ПАЛИВИМ ЦИКЛОМ, АБО НА ПІДТРИМКУ ПОРУШЕНЬ ПРАВ ЛЮДИНИ. У РАЗІ БУДЬ-ЯКИХ ПРОТИРІЧ МІЖ ЦИМ КЕРІВНИЦТВОМ ТА ЗАСТОСОВУВАННЯМ ЗАКОНОМ, ОСТАННІЙ МАЄ ПЕРЕВАГУ.

Нормативна інформація

Ці положення застосовуються лише до продуктів, які мають відповідний знак або інформацію.

Декларація відповідності нормативним вимогам ЄС

CE Цей виріб й аксесуари до нього (якщо є в комплекті) мають маркування «CE», а тому відповідають чинним гармонізованим європейським

стандартам, переліченим у Директиві з електромагнітної сумісності (EMCD) 2014/30/ЄС, Директиві з низьковольтного електрообладнання (LVD) 2014/35/ЄС і Директиві щодо обмеження використання шкідливих речовин (RoHS) 2011/65/ЄС.

Цим Hangzhou Hikvision Digital Technology Co., Ltd. заявляє, що цей пристрій (див. етикетку) відповідає вимогам Директиви 2014/53/ЄС.

Повний текст декларації відповідності нормативним вимогам ЄС можна знайти за адресою:

<https://www.hikvision.com/en/support/compliance/declaration-of-conformity>.

Смуги частот і потужність (для CE)

Смуги частот і номінальні обмеження передаваної потужності (випромінюваної та/або прохідної), застосовні до цього радіопристрою, наведені нижче:

Wi-Fi 2,4 ГГц (від 2,4 до 2,4835 ГГц): 20 дБм.

Для моделей обладнання: DS-2TD*GLT, DS-2TXS*GLT*.

LTE FDD:

Смуга 1: 1920 до 1980 МГц, 23 дБм, клас 3;

Смуга 3: 1710 до 1785 МГц, 23 дБм, клас 3;

Смуга 5: 824 до 849 МГц, 23 дБм, клас 3;

Смуга 7: 2500 до 2570 МГц, 23 дБм, клас 3;

Смуга 8: 880 до 915 МГц, 23 дБм, клас 3;

Смуга 20: 832 до 862 МГц, 23 дБм, клас 3;

Смуга 28: 703 до 748 МГц, 23 дБм, клас 3.

LTE TDD:

Смуга 38: 2570 до 2620 МГц, 23 дБм, клас 3;

Смуга 40: 2300 до 2400 МГц, 23 дБм, клас 3;

Смуга 41: 2555 до 2655 МГц, 23 дБм, клас 3.

WCDMA:

Смуга 1: 1920 до 1980 МГц, 23,5 дБм, клас 3;

Смуга 5: 824 до 849 МГц, 23,5 дБм, клас 3;

Смуга 8: 880 до 915 МГц, 23,5 дБм, клас 3.

Для моделей обладнання: DS-2TD*GLT(JP), DS-2TXS*GLT*(JP).

LTE FDD:

Смуга 1: 1920 до 1980 МГц, 23 дБм, клас 3;

Смуга 3: 1710 до 1785 МГц, 23 дБм, клас 3;

Смуга 8: 880 до 915 МГц, 23 дБм, клас 3;

Смуга 11: 1427,9 до 1452,9 МГц, 23 дБм, клас 3;

Смуга 18: 815 до 830 МГц, 23 дБм, клас 3;

Смуга 19: 830 до 845 МГц, 23 дБм, клас 3;

Смуга 21: 1447,9 до 1462,9 МГц, 23 дБм, клас 3;

Смуґа 26: 814 до 849 Мґц, 23 дБм, клас 3;
Смуґа 28: 703 до 748 Мґц, 23 дБм, клас 3.
LTE TDD:

Смуґа 41: 2535 до 2655 Мґц, 23 дБм, клас 3.
WCDMA:

Смуґа 1: 1920 до 1980 Мґц, 23,5 дБм, клас 3;
Смуґа 6: 832,4 до 837,6 Мґц, 23,5 дБм, клас 3;
Смуґа 8: 880 до 915 Мґц, 23,5 дБм, клас 3;
Смуґа 19: 830 до 845 Мґц, 23,5 дБм, клас 3.

**Для моделей обладнання: DS-2TD*GLT(LA),
DS-2TXS*GLT*(LA), DS-2TD*GLT(BR),
DS-2TXS*GLT*(BR).**

LTE FDD:

Смуґа 1: 1920 до 1980 Мґц, 23 дБм, клас 3;
Смуґа 2: 1850 до 1910 Мґц, 23 дБм, клас 3;
Смуґа 3: 1710 до 1785 Мґц, 23 дБм, клас 3;
Смуґа 4: 1710 до 1755 Мґц, 23 дБм, клас 3;
Смуґа 5: 824 до 849 Мґц, 23 дБм, клас 3;
Смуґа 7: 2500 до 2570 Мґц, 23 дБм, клас 3;
Смуґа 8: 880 до 915 Мґц, 23 дБм, клас 3;
Смуґа 12: 699 до 716 Мґц, 23 дБм, клас 3;
Смуґа 17: 704 до 716 Мґц, 23 дБм, клас 3;
Смуґа 28: 703 до 748 Мґц, 23 дБм, клас 3;
Смуґа 66: 1710 до 1780 Мґц, 23 дБм, клас 3.

LTE TDD:

Смуґа 38: 2570 до 2620 Мґц, 23 дБм, клас 3;
Смуґа 40: 2300 до 2400 Мґц, 23 дБм, клас 3.
WCDMA:

Смуґа 1: 1920 до 1980 Мґц, 23,5 дБм, клас 3;
Смуґа 2: 1850 до 1910 Мґц, 23,5 дБм, клас 3;
Смуґа 3: 1710 до 1785 Мґц, 23,5 дБм, клас 3;
Смуґа 5: 824 до 849 Мґц, 23,5 дБм, клас 3;
Смуґа 8: 880 до 915 Мґц, 23,5 дБм, клас 3.
GSM/GPRS/EDGE:

Смуґа GSM850: 850 Мґц, 32,5 дБм, клас 3;
Смуґа GSM900: 900 Мґц, 32,5 дБм, клас 3;
Смуґа DCS1800: 1800 Мґц, 29,5 дБм, клас 3.

Якщо пристрій постачається без блока живлення, використовуйте блок живлення сертифікованого виробника. Детальні вимоги щодо живлення див. у характеристиках виробу.

Якщо пристрій постачається без батарей, використовуйте батареї сертифікованого виробника. Детальні вимоги щодо батарей див. у характеристиках виробу.

Уваґа! Це виріб класу А. У побутових умовах цей виріб може створювати радіоперешкоди, що може вимагати від користувача вжиття належних заходів.



2012/19/ЄС (Директива з утилізації електричного й електронного обладнання, WEEE):



Вироби, помічені цим символом, не можна утилізувати у Європейському Союзі як несортвані побутові відходи. Щоб забезпечити правильну переробку цього виробу, поверніть його місцевому постачальнику під час придбання аналогічного нового обладнання, або здайте його до спеціально призначеного пункту збирання відходів. Більше інформації див. на сайті: www.recyclethis.info.



2006/66/ЄС із поправками 2013/56/ЄС (Директива щодо акумуляторів): Цей виріб містить батарею, яку не можна утилізувати в Європейському Союзі як несортвані побутові відходи. Інформацію щодо батареї див. у документації до виробу. Батарея помічена цим символом, який може включати букви, що вказують на наявність кадмію (Cd), свинцю (Pb) або ртуті (Hg). Щоб забезпечити правильну переробку батареї, поверніть її постачальнику або здайте до спеціалізованого пункту збирання відходів. Більше інформації див. на сайті: www.recyclethis.info.

Указівки з техніки безпеки

Ці інструкції дозволять користувачу використовувати виріб правильно та уникати небезпек чи пошкодження майна. Перш ніж використовувати пристрій, прочитайте всю інформацію щодо техніки безпеки.

Закони та норми

Пристрій слід використовувати з дотриманням місцевих законів, електротехнічних норм та правил протипожежної безпеки.

Транспортування

- Під час транспортування зберігайте пристрій в оригінальному або подібному пакуванні.
- Після розпакування виробу зберігайте всі елементи упаковки для майбутнього використання. У разі виникнення будь-яких несправностей ви повинні будете повернути пристрій на завод з оригінальною упаковкою.
- Транспортування без оригінальної упаковки може призвести до пошкодження пристрою, за що компанія не

несе відповідальності.

- Не допускайте падіння виробу або впливу на нього механічних ударів. Тримайте пристрій подалі від магнітних завад.

Живлення

● Придбайте зарядний пристрій самостійно. Вхідна напруга повинна відповідати вимогам до джерел живлення обмеженої потужності (12 В постійного струму) згідно зі стандартом IEC62368. Щоб отримати докладну інформацію, див. технічні характеристики.

- Переконайтеся, що штепсельну вилку надійно зафіксовано в розетці.
- Розетка має бути встановлена біля обладнання і до неї повинен бути вільний доступ.
- НЕ ПІДКЛЮЧАЙТЕ декілька пристроїв до одного адаптера живлення, щоб уникнути перегрівання чи небезпеки пожежі внаслідок перенавантаження.
- НЕ ТОРКАЙТЕСЯ оголених металевих контактів на входах після вимкнення автоматичного вимикача. На них залишається електричний заряд.
- + позначає позитивну клему(и) обладнання, що використовує постійний струм чи генерує його. - позначає негативну клему(и) обладнання, що використовує постійний струм чи генерує його.

● Переконайтеся у правильному підключенні дротів до клем, які підключаються до розетки живлення змінного струму.

Батарея

- Встановлення батареї невідповідного типу може призвести до вибуху. Утилізуйте використані батареї згідно з інструкціями.
- Вбудовану батарею не можна знімати. Якщо потрібен ремонт, зверніться до виробника.
- У разі тривалого зберігання батареї повністю заряджайте її щопівроку, щоб забезпечити її роботоздатність. Інакше батарея може вийти з ладу.
- Це обладнання не підходить для використання в місцях, де можуть перебувати діти.
- Встановлення батареї невідповідного типу може призвести до порушення системи захисту (зокрема, у разі використання літєвих батарей деяких типів).
- Не кидайте батарею у вогонь або в гарячу піч, не розбивайте та не розрізайте її. Це

може призвести до вибуху.

- Не залишайте батарею в місцях із дуже високою температурою. Це може призвести до вибуху або витоків вогненебезпечної рідини або газу.
- Не залишайте батарею в місцях із дуже низьким атмосферним тиском. Це може призвести до вибуху або витоків вогненебезпечної рідини або газу.

Джерело світла (за наявності)



ОБЕРЕЖНО: Цей виріб може генерувати небезпечне оптичне випромінювання. Не дивіться на ввімкнене джерело світла. Це може зашкодити очам. Використовуйте належні засоби захисту органів зору та НЕ ВМИКАЙТЕ біле світло під час збирання, встановлення або технічного обслуговування камери.

Установлення

- Ніколи не розміщуйте обладнання на хиткій поверхні. Обладнання може впасти, що може призвести до серйозної травми або смерті.
- Це обладнання можна використовувати лише з кронштейнами відповідного типу. Використання чогось іншого (візків, стійок або кріплень) може призвести до падіння обладнання й до травмування.

Безпека системи

- Ви усвідомлюєте, що природа Інтернету несе притаманні ризики для безпеки, і наша компанія не бере на себе ніякої відповідальності за ненормальну роботу, втрату конфіденційності або інші збитки в результаті кібератак і хакерських атак, однак наша компанія за потреби надасть своєчасну технічну підтримку.
- Забезпечте захист особистої інформації та захист даних, оскільки під час підключення до Інтернету пристрій може зіткнутися з проблемами мережевої безпеки. У разі виникнення ризиків для мережевої безпеки пристрою зверніться до нас.
- Усвідомте, що ви несете відповідальність за налаштування всіх паролів та інших параметрів безпеки пристрою, а також за збереження свого імені користувача та пароля.

Технічне обслуговування

- Якщо виріб не працює належним чином, зверніться до вашого дилера або найближчого сервісного центру. Ми не

несемо жодної відповідальності за проблеми, які виникли внаслідок недозволеного ремонту чи догляду.

- Пристрій містить декілька компонентів (наприклад, електrolітичний конденсатор), які необхідно регулярно замінювати. Середній термін служби різниться, тому рекомендується регулярно перевіряти ці компоненти. Для додаткової інформації звертайтеся до вашого дилера.

- За потреби обережно протріть пристрій чистою тканиною, змоченою невеликою кількістю етилового спирту.

- Якщо обладнання використовується в спосіб, не зазначений виробником, то забезпечувати пристроєм безпеку може бути порушено.

- Для зменшення ризику пожежі замінійте лише на запобіжник такого ж типу та з такими ж характеристиками.

- Послідовний порт обладнання використовується лише для налагодження.

- Під час технічного обслуговування вимикайте джерело живлення.

Умови експлуатації

- Переконайтесь, що середа використання відповідає умовам експлуатації пристрою. Робоча температура має становити від -40 °C до 65 °C (від -40 °F до 149 °F), а робоча вологість – від 5 % до 95 %, без утворення конденсату.

- НЕ ДОПУСКАЙТЕ потрапляння пристрою в середовище із сильним електромагнітним випромінюванням чи запилене середовище.

- НЕ СПРЯМУЙТЕ об'єкти на сонце або інші джерела яскравого світла.

- Не допускайте потрапляння на обладнання крапель чи бризок. Ніколи не ставте на обладнання предмети, наповнені рідиною, як-от вази.

- Забороняється розміщувати на обладнанні джерело відкритого вогню, як-от свічки, які горять.

- Якщо обладнання розміщується на верхшні гори, залізної башти чи у лісі, встановіть на вході обмежувач напруги.



- Будьте обережні, щоб не обпекти пальці об деталі, які позначені цим символом. Після вимикання живлення зачекайте півгодини, перш ніж працювати з цими деталями.

Аварійні ситуації

- Якщо пристрій випускає дим, запах або видає шум, негайно вимкніть живлення, від'єднайте кабель живлення та зверніться в сервісний центр.

Адреса виробника

Цяньмо Роуд, 555, р-н Бінчзян, м. Ханчжоу, 310052, Китай
Hangzhou Hikvision Digital Technology Co., Ltd.

ПРИМІТКА ЩОДО ВІДПОВІДНОСТІ НОРМАТИВНИМ ВИМОГАМ: Пристрої теплової серії можуть регулюватися положеннями контролю експорту в різних країнах або регіонах, включаючи, без обмежень, Сполучені Штати Америки, Європейський Союз, Об'єднане Королівств та/або інші країни-учасники Вассенаарської домовленості. Проконсультуйтеся з вашим професійним юристом або експертом із відповідності нормативним вимогам чи місцевими органами влади щодо необхідності експортних ліцензій, якщо ви плануєте передавати, експортувати або реекспортувати пристрої теплової серії між різними країнами.

한국어

이 설명서에 있는 제품 그림은 참고용이며 실제 제품과 다를 수 있습니다.

외관(페이지 1-A)

구성요소 및 케이블

번호	구성요소 및 인터페이스
1	카메라

2	태양광 발전 패널
3	연결 브래킷
4	오디오 입력, 오디오 출력
5	알람 입력 × 2, 알람 출력 × 2
6	네트워크 케이블
7	RS-485, 전원 케이블

카메라 키트 설치(페이지 1 - B)

단계:

1. 연결 브래킷에 카메라를 설치합니다.
 - 1) 브래킷 측면에 있는 나사를 풀어 제거한 후 베이스를 분리합니다.
 - 2) HSF UNC1-4-20X12 나사 2개로 베이스를 카메라 하단에 고정합니다.
 - 3) 베이스의 구멍과 브래킷의 구멍을 맞춘 후, 앞에서 제거한 나사를 이용하여 베이스를 브래킷에 고정합니다.
 2. 전원 케이블, RS-485 케이블 등 긴 케이블은 연결 브래킷에 통과시키고, 다른 케이블은 방수 테이프로 래핑해 밀봉합니다.
 3. 태양광 발전 패널에 배터리를 설치합니다.
- 노트:** 태양 전지는 패키지에 포함되어 있지 않습니다. 별도로 구매할 수 있습니다.
4. 태양광 패널에 연결 브래킷을 설치합니다. RS-485와 전원 케이블을 시프트 패널의 구멍에 끼우고 연결 브래킷의 구멍을 시프트 패널의 구멍에 맞춘 다음 나사를 조여 고정합니다.
 5. 나사를 풀어 제거하면 배선 박스 커버가 분리됩니다.
 6. 태양광 패널 출력 케이블과 배터리 출력 케이블을 배선 박스의 구멍에 통과시키고, 카메라의 전원 케이블과 RS-485 케이블을 시프트 패널과 배선 박스의 구멍에 통과시킵니다. 케이블을 연결하고 나사를 조여 배선 박스 커버를 설치합니다.

노트: 접합 위치를 방수 테이프로 래핑해 밀봉합니다.

7. 적절한 높이를 선택하여 키트를

설치합니다. 수직 폴 마운트, 마운트용 나사 패킷 및 마운트 바를 꺼내고, 수직 폴 마운트의 설치 구멍과 마운트 바에 M12 볼트 4개를 끼운 다음 플랫 가스켓과 너트 2개를 사용하여 각각의 볼트를 조입니다.

8. 키트를 수직 폴 마운트 브래킷에 건 다음 플랫 가스켓, 스프링 워셔 및 너트로 키트를 고정합니다.
9. 수직 기둥에 안전 로프를 감고 안전 로프의 잠금 장치를 버클로 채웁니다.
10. 태양광 PV 패널과 카메라의 각도를 조정합니다.

단일 카메라 설치(페이지 6 - C)

월 마운트(페이지 6 - C.1)

단계:

1. 브래킷 측면에 있는 나사를 풀어 베이스를 분리한 후, UNC1-4 나사 2개를 사용하여 베이스를 카메라 하단에 고정합니다.
2. 구멍과 브래킷의 구멍을 맞춘 후, 앞에서 제거한 나사를 이용하여 베이스를 브래킷에 고정합니다.
3. 드릴 템플릿에 따라 벽에 구멍 4개를 뚫습니다.
4. 확장 볼트, 가스켓, 너트를 사용하여 카메라를 벽에 고정합니다.
5. 조인트 부분의 나사를 풀어 카메라의 틸트 각도를 조절하고, 베이스 하단의 나사를 풀어 카메라의 팬 각도를 조절합니다. 조정 후에는 나사를 조입니다.

폴 마운트(페이지 7 - C.2)

1. 브래킷 측면에 있는 나사를 풀어

베이스를 분리한 후, UNC1-4 나사 2 개를 사용하여 베이스를 카메라 하단에 고정합니다.

2. 구멍과 브래킷의 구멍을 맞춘 후, 앞에서 제거한 나사를 이용하여 베이스를 브래킷에 고정합니다.
3. 세 개의 빠른 잠금 후프로 폴 마운트 브래킷을 끼운 다음 브래킷을 폴에 고정합니다.
4. 4 개의 M4 나사를 사용하여 카메라를 폴 마운트 브래킷에 고정합니다.
5. 조인트 부분의 나사를 풀어 카메라의 틸트 각도를 조절하고, 베이스 하단의 나사를 풀어 카메라의 팬 각도를 조절합니다. 조정 후에는 나사를 조입니다.

방수 방법(페이지 8)

1. 네트워크 케이블 방수 재킷을 설치합니다(페이지 8-D).
2. 제공된 방수 테이프를 사용하여 케이블 커넥터 및 사용하지 않는 케이블을 (페이지 8-E) 보호합니다.

보호 조치(페이지 9-F-1)

장비 활성화 및 액세스(페이지 9-F-2)

사용자 매뉴얼



규정 준수 및 안전 정보

장치를 사용하기 전에 이 문서의 정보를 모두 주의 깊게 읽고 나중에 참조할 수 있게 보관하십시오.

장치 정보와 안내를 자세히 확인하려면 <https://www.hikvision.com> 웹 사이트에 방문하십시오. 장비와 함께 제공된 다른

설명서(있는 경우)를 참조하거나 패키지의 QR 코드(있는 경우)를 스캔하여 자세한 정보를 알아보실 수 있습니다.

법률 정보

면책 조항

관련 법률에서 허용하는 최대 범위에서 본 매뉴얼 및 설명된 제품은 하드웨어, 소프트웨어와 펌웨어의 모든 결함 및 오류가 "있는 그대로" 제공됩니다. HIKVISION 은 상품성, 품질 만족도, 특정 목적에의 적합성 및 타사의 비침해를 포함하여(이에 국한되지 않음)명시적 또는 묵시적으로 무엇도 보증하지 않습니다. 제품 사용 시 책임은 전적으로 사용자에게 있습니다. HIKVISION 은 어떠한 경우에도 제품의 사용과 관련해 발생하는 특별한, 결과적, 부수적 또는 간접적 손해 및 특히 사업상의 이익 손실, 운영 중단으로 인한 손해 또는 데이터의 손실, 시스템 장애 또는 문서의 손실에 대해 계약 위반, 불법 행위(과실 책임 포함), 제조물 책임 또는 그 외 제품 사용 관련성과 관계 없이 일질 책임지지 않으며, 이는 HIKVISION 이 해당 손상 또는 손실이 발생할 가능성을 권고한 경우에도 마찬가지입니다.

귀하는 인터넷의 특성상 본질적으로 보안 위험이 잠재해 있음을 인정하며, HIKVISION 은 사이버 공격, 해커 공격, 바이러스 감염 또는 기타 인터넷 보안 위험으로 인해 발생한 비정상 작동, 개인정보 유출 또는 기타 손해에 대해 일질 책임지지 않습니다. 그러나 HIKVISION 은 필요한 경우 시기적절하게 기술 지원을 제공합니다.

귀하는 해당되는 모든 법률을 준수해 본 제품을 사용하는 데 동의하며, 해당되는 법률을 준수해 사용하는 것은 전적으로 귀하의 책임입니다. 특히, 귀하는 퍼블리시터권, 지적 재산권, 데이터 보호 및 기타 개인 정보 보호권을 포함하되 이에 국한되지 않고 제 3 자의 권리를 침해하지 않는 방식으로 본 제품을 사용하는 것에 대해 책임을 집니다. 귀하는 대량 살상 무기 개발 또는 생산, 화학 또는 생물 무기 개발 또는 생산, 핵폭발 또는 안전하지 않은 핵연료 주기와 관련된 또는 인권 침해를 조장할 수 있는 개발 또는 생산을 포함해 금지된 최종 용도를 위해 본 제품을 사용하지 않습니다.

본 매뉴얼과 적용되는 법률 사이에 충돌이 발생하는 경우 법률이 우선합니다.

규제 정보

이 조항은 해당 마크 또는 정보가 있는 제품에만 적용됩니다.

EU 규정 준수 이행서



본 제품은 물론 제공되는 액세서리(해당되는 경우)에도 "CE"가 표시되어 있으므로 Directive 2014/30/EU(EMCD), Directive 2014/35/EU(LVD), Directive 2011/65/EU(RoHS)에 명시된 적용되는 유럽 공통 표준을 준수합니다.

이로써, Hangzhou Hikvision Digital Technology Co., Ltd.는 본 장비(라벨 참조)가 Directive 2014/53/EU 를 준수함을 선언합니다.

EC 적합성 선언의 전문은 인터넷 주소 <https://www.hikvision.com/en/support/compliance/declaration-of-conformity> 에서 확인할 수 있습니다.

주파수 대역 및 전력(CE 용)

주파수 대역 및 송신 전력(방사 및/또는 전도)공칭 한계는 다음 무선 장비에 적용됩니다:

Wi-Fi 2.4GHz(2.4GHz~2.4835GHz): 20dBm.

장비 모델: DS-2TD*GLT, DS-2TXS*GLT*.

LTE FDD:

- 밴드 1: 1920~1980MHz, 23dBm, 클래스 3;
- 밴드 3: 1710~1785MHz, 23dBm, 클래스 3;
- 밴드 5: 824~849MHz, 23dBm, 클래스 3;
- 밴드 7: 2500~2570MHz, 23dBm, 클래스 3;
- 밴드 8: 880~915MHz, 23dBm, 클래스 3;
- 밴드 20: 832~862MHz, 23dBm, 클래스 3;
- 밴드 28: 703~748MHz, 23dBm, 클래스 3.

LTE TDD:

- 밴드 38: 2570~2620MHz, 23dBm, 클래스 3;
- 밴드 40: 2300~2400MHz, 23dBm, 클래스 3;
- 밴드 41: 2555~2655MHz, 23dBm, 클래스 3.

WCDMA:

- 밴드 1: 1920~1980MHz, 23.5dBm, 클래스 3;
- 밴드 5: 824~849MHz, 23.5dBm, 클래스 3;
- 밴드 8: 880~915MHz, 23.5dBm, 클래스 3.

장비 모델: DS-2TD*GLT(JP),

DS-2TXS*GLT*(JP).

LTE FDD:

- 밴드 1: 1920~1980MHz, 23dBm, 클래스 3;
- 밴드 3: 1710~1785MHz, 23dBm, 클래스 3;
- 밴드 8: 880~915MHz, 23dBm, 클래스 3;
- 밴드 11: 1427.9~1452.9MHz, 23dBm, 클래스 3;
- 밴드 18: 815~830MHz, 23dBm, 클래스 3;
- 밴드 19: 830~845MHz, 23dBm, 클래스 3;
- 밴드 21: 1447.9~1462.9MHz, 23dBm, 클래스 3;

밴드 26: 814~849MHz, 23dBm, 클래스 3;

밴드 28: 703~748MHz, 23dBm, 클래스 3.

LTE TDD:

밴드 41: 2535~2655MHz, 23dBm, 클래스 3.

WCDMA:

- 밴드 1: 1920~1980MHz, 23.5dBm, 클래스 3;
- 밴드 6: 832.4~837.6MHz, 23.5dBm, 클래스 3;
- 밴드 8: 880~915MHz, 23.5dBm, 클래스 3;
- 밴드 19: 830~845MHz, 23.5dBm, 클래스 3.

장비 모델: DS-2TD*GLT(LA),

DS-2TXS*GLT*(LA), DS-2TD*GLT(BR),

DS-2TXS*GLT*(BR).

LTE FDD:

- 밴드 1: 1920~1980MHz, 23dBm, 클래스 3;
- 밴드 2: 1850~1910MHz, 23dBm, 클래스 3;
- 밴드 3: 1710~1785MHz, 23dBm, 클래스 3;
- 밴드 4: 1710~1755MHz, 23dBm, 클래스 3;
- 밴드 5: 824~849MHz, 23dBm, 클래스 3;
- 밴드 7: 2500~2570MHz, 23dBm, 클래스 3;
- 밴드 8: 880~915MHz, 23dBm, 클래스 3;
- 밴드 12: 699~716MHz, 23dBm, 클래스 3;
- 밴드 17: 704~716MHz, 23dBm, 클래스 3;
- 밴드 28: 703~748MHz, 23dBm, 클래스 3;
- 밴드 66: 1710~1780MHz, 23dBm, 클래스 3.

LTE TDD:

- 밴드 38: 2570~2620MHz, 23dBm, 클래스 3;
- 밴드 40: 2300~2400MHz, 23dBm, 클래스 3.

WCDMA:

- 밴드 1: 1920~1980MHz, 23.5dBm, 클래스 3;
- 밴드 2: 1850~1910MHz, 23.5dBm, 클래스 3;
- 밴드 3: 1710~1785MHz, 23.5dBm, 클래스 3;
- 밴드 5: 824~849MHz, 23.5dBm, 클래스 3;
- 밴드 8: 880~915MHz, 23.5dBm, 클래스 3.

GSM/GPRS/EDGE:

- 밴드 GSM850: 850MHz, 32.5dBm, 클래스 3;
 - 밴드 GSM900: 900MHz, 32.5dBm, 클래스 3;
 - 밴드 DCS1800: 1800MHz, 29.5dBm, 클래스 3.
- 전원 어댑터가 공급되지 않은 기기의 경우, 공인 제조업체에서 제공하는 전원 어댑터를 사용하십시오. 자세한 전원 요구 사항은 제품 사양을 참조하십시오.

배터리가 공급되지 않은 기기의 경우, 공인 제조업체에서 제공하는 배터리를 사용하십시오. 자세한 배터리 요건은 제품 사양을 참조하십시오.

경고: A 등급 제품입니다. 가정 환경에서 본 제품은 전파장애를 일으킬 수 있으며, 이 경우 사용자가 적절한 조치를 해야 할 수 있습니다.



2012/19/EU(WEEE 지침): 이 기호가 표시된 제품은 유럽 연합 내에서 분류되지 않은 일반폐기물로 폐기할 수 없습니다. 적절히 재활용하기 위해 동급 장비를 새로 구매할 때 현지 공급업체에 제품을 반납하거나 지정된 수거 장소에 폐기하십시오. 자세한 내용 확인: www.recyclethis.info.



2006/66/EC 및 개정 2013/56/EU(배터리 지침): 본 제품에는 유럽 연합 내에서 분류되지 않은 일반폐기물로 폐기할 수 없는 배터리가 포함되어 있습니다. 특정 배터리에 관한 자세한 내용은 제품 관련 문서를 참조하십시오. 이 기호가 표시된 배터리에는 카드뮴(Cd), 납(Pb) 또는 수은(Hg)을 나타내는 글자가 포함될 수 있습니다. 적절히 재활용하기 위해 공급업체에 배터리를 반납하거나 지정된 수거 장소에 폐기하십시오. 자세한 내용은 www.recyclethis.info를 참조하십시오.

안전 지침

이 지침은 사용자가 제품을 올바르게 사용해 위험 또는 재산상의 손실을 방지하도록 하기 위해 제공되는 것입니다. 사용하기 전에 모든 안전 정보를 주의 깊게 읽으십시오.

법률 및 규정

이 장비는 현지 법률, 전기 안전 규정 및 화재 예방 규정을 준수해 사용해야 합니다.

운반

- 장비를 운반할 때는 본래 포장재 또는 유사한 포장재에 장비를 놓으십시오.
- 포장을 풀 다음에는 나중에 사용할 수 있도록 모든 포장재를 보관하십시오. 고장이 발생할 경우에는 장비를 본래 포장 상태로 포장해 운송으로 반송해야 합니다.
- 본래 포장 상태로 운송하지 않으면 장비가 손상될 수 있으며, 회사는 일절 책임지지 않습니다.
- 제품을 떨어뜨리거나 물리적 충격을 가하지 마십시오. 장비가 전자파의 간섭을 받지 않도록 하십시오.

전원 공급 장치

- 충전기는 직접 구입하십시오. IEC62368 표준에 따라 입력 전압은 LPS(12 VDC)를 충족해야 합니다. 자세한 내용은 기술 사양을 참조하십시오.
- 플러그가 전원 소켓에 올바르게 연결되어 있는지 확인하십시오.
- 콘센트는 장비 근처에 설치되어 있어야 하고 쉽게 접근할 수 있어야 합니다.
- 과부하로 인한 과열 또는 화재 위험을 방지하기 위해 하나의 전원 어댑터에 여러

장비를 연결하지 마십시오.

- 회로 차단기가 꺼진 후 인렛에 있는 노출된 금속 점접을 손으로 만지지 마십시오. 전기가 남아 있습니다.
- +은 직류에 사용하거나 직류를 생성하는 장비의 양극 터미널을 의미합니다. -은 직류에 사용하거나 직류를 생성하는 장비의 음극 터미널을 의미합니다.
- AC 주 전원 공급 장치에 연결하기 위해 배선 및 단자가 올바른지 확인하십시오.

배터리

- 배터리를 잘못된 유형으로 교체하면 폭발의 위험이 있습니다. 사용한 배터리는 지침을 준수해 폐기하십시오.
- 내장된 배터리는 분해할 수 없습니다. 수리가 필요한 경우 제조사에 연락하십시오.
- 배터리를 장기간 보관하는 경우 배터리의 품질을 보장하기 위해 6개월마다 완충하십시오. 그렇지 않을 경우 손상될 수 있습니다.
- 이 장비는 어린이가 있을 수 있는 장소에서 사용하기에 적합하지 않습니다.
- 배터리를 잘못된 유형으로 부적절하게 교체하면 안전장치가 작동하지 않을 수 있습니다(예: 일부 리튬 배터리 유형의 경우).
- 배터리를 불 또는 뜨거운 오븐에 넣거나 기계적으로 부수거나 절단하지 마십시오. 폭발의 위험이 있습니다.
- 배터리를 주변 온도가 매우 높은 곳에 두지 마십시오. 폭발하거나 인화성 액체 또는 가체가 누출될 수 있습니다.
- 배터리를 기압이 매우 낮은 곳에 두지 마십시오. 폭발하거나 인화성 액체 또는 가체가 누출될 수 있습니다.

조명 조도(지원되는 경우)



주의 사항: 이 제품에서는 유해한 광학

방사선이 방출될 수 있습니다. 작동 중인 조명을 응시하지 마십시오. 눈에 해로울 수 있습니다. 카메라를 조립, 설치 또는 유지보수할 때 적절한 보안경을 착용하거나 백색광을 켜지 마십시오.

설치

- 장비를 불안정한 장소에 놓아서는 절대 안 됩니다. 장비가 추락해 심각한 부상 또는 사망을 초래할 수 있습니다.
- 이 장비는 해당하는 브래킷만 사용할 수 있습니다. 다른 브래킷(카드, 스탠드 또는 캐리어)을 사용하면 불안정해져 부상을 초래할 수 있습니다.

시스템 보안

- 귀하는 인터넷의 특성상 본질적으로 보안 위험이 잠재해 있음을 인정하며, 당사는 사이버 공격, 해커 공격, 바이러스 감염 또는 기타 인터넷 보안 위협으로 인해 발생한 비정상 작업, 개인정보 유출 또는 기타 손해에 대해 일질 책임지지 않습니다. 그러나 당사는 필요한 경우 시기적절하게 기술 지원을 제공합니다.
- 인터넷에 연결되어 있는 경우 네트워크 보안 문제가 발생할 수 있으므로 개인정보 보호 및 데이터 보안을 강화해 주시기 바랍니다. 장비에 네트워크 보안 위험이 있을 수 있는 경우 당사에 연락해 주십시오.
- 귀하는 장비와 관련된 모든 비밀번호 및 기타 보안 설정을 구성하고 사용자 이름 및 비밀번호를 관리할 책임이 있음을 이해합니다.


유지 관리

- 제품이 제대로 작동하지 않을 경우 판매점 또는 가까운 서비스 센터에 문의하십시오. 당사는 무단 수리 또는 유지 관리로 인해 발생한 문제에 대해 일질 책임지지 않습니다.
- 장비의 일부 구성 요소(예: 전해 커패시터)는 주기적으로 교체해야 합니다. 평균 수명은 상황에 따라 다르므로 정기 점검을 권장합니다. 자세한 내용은 판매점에 문의하십시오.
- 필요한 경우 깨끗한 헝겊에 에탄올을 소량 묻혀 장비를 살살 닦아주십시오.
- 제조사가 지정하지 않은 방식으로 장비를 사용하는 경우 장비에 의해 제공되는 보호 성능이 손상될 수 있습니다.
- 화재의 위험을 방지하기 위해 유형 및 등급이 동일한 퓨즈로만 교체하십시오.
- 장비의 시리얼 포트는 디버깅에만 사용됩니다.
- 서비스 중에는 전원을 분리하십시오.

사용 환경

- 작동 환경이 장비의 작동 요구 사항을 충족하도록 하십시오. 작동 온도는

- 40°C ~ 65°C(-40°F ~ 149°F), 작동 습도는 5% ~ 95%여야 하며 응결이 없어야 합니다.
- 장비를 전자파 방사가 높거나 먼지가 많은 환경에 노출하지 마십시오.
- 렌즈를 태양 또는 기타 밝은 빛에 조준하지 마십시오.
- 물이 떨어지거나 튀는 곳에 장비를 노출되어서는 안 되며 꽃병과 같이 액체가 들어 있는 물체를 장비 위에 두어서는 안 됩니다.
- 불이 켜진 촛불과 같이 불꽃이 드러나는 화염원을 장비 위에 놓지 마십시오.
- 산 정상, 철탑, 숲과 같은 특수한 조건에서 장비의 인렛 개구부에 서지 억제기를 사용하십시오.

-  기호가 있는 부품을 취급할 때는 손가락에 화상을 입을 수 있습니다. 부품을 다루기 전에 전원을 끈 후 약 30분 기다리십시오.

비상 버튼

- 장비에서 연기, 냄새 또는 소음이 발생하면 즉시 전원을 끄고 전원 케이블을 뽑은 다음 서비스 센터에 연락하십시오.

제조사 주소

중국 항저우 310052 빈장 지구 차안모로 555번
Hangzhou Hikvision Digital Technology Co.,Ltd.

규정 준수 알림: 열화상 시리즈 제품은 미국, 유럽 연합, 영국 및/또는 기타 바세나르 협정국을 포함하되 이에 국한되지 않고 여러 국가 및 지역의 수출 통제 대상이 될 수 있습니다. 열화상 시리즈 제품을 국가 간 운송, 수출, 재수출하려는 경우 필요한 수출 라이선스 요구 사항에 대해 법률 또는 규정 준수 전문가 또는 해당 국가의 정부 기관에 문의하십시오.

日本語



製品外観はイメージです。実際の製品と

異なる場合があります。

外観 (1 ページ - A)

コンポーネントとケーブル

番号	コンポーネントとインターフェース
1	カメラ

2	ソーラーパネル
3	連結ブラケット
4	音声入力、音声出力
5	アラーム入力×2、アラーム出力×2
6	ネットワークケーブル
7	RS-485、電源ケーブル

カメラキットの設置 (1 ページ - B)

ステップ:

- 連結ブラケットにカメラを設置します。
 - ブラケットの側面にあるネジを緩めて取り外し、ベースを分解します。
 - HSF UNC1-4-20X12 ネジ 2 本で、カメラの底部にベースを固定します。
 - ベースの穴とブラケットの穴の位置を合わせ、先ほど外したネジで、ブラケットにベースを固定します。
- 電源ケーブルや RS-485 ケーブルなどの長いケーブルは連結ブラケットに通し、その他のケーブルは防水テープで巻いて密閉します。
- ソーラーパネルにバッテリーを取り付けます。
注意: ソーラーバッテリーは付属していません。別途購入してください。
- ソーラーパネルに連結ブラケットを取り付けます。シフトパネルの穴に RS-485 ケーブルと電源ケーブルを通し、連結ブラケットの穴とシフトパネルの穴の位置を合わせ、ネジを締め付けて固定します。
- ネジを緩めて外し、ワイヤーボックスカバーを分解します。
- ソーラーパネル出力ケーブルとバッテリー出力ケーブルをワイヤーボックスの穴に通

し、カメラの電源ケーブルと RS-485 ケーブルをシフトパネルとワイヤーボックスの貫通穴に通します。ケーブルを接続し、ネジを締め付けてワイヤーボックスカバーを取り付けます。

注意: 接合箇所には防水テープを巻いて密閉します。

- 適切なキット取付高さを選択します。垂直ポールマウントとマウント用ネジパケットとマウントバーを取り出し、垂直ポールマウントとマウントバーの取付穴に M12 ボルト 4 本を通し、平ガスケットと 2 個のナットでボルトを締め付けます。
- 垂直ポールマウントブラケットにキットを引っ掛け、平ガスケットとスプリングワッシャーとナットでキットを固定します。
- 垂直ポールの周囲に安全ロープを巻き付け、バックルで安全ロープのロックキャッチを固定します。
- ソーラーパネルとカメラの角度を調整します。

1 台のカメラの設置 (6 ページ - C)

ウォールマウント (6 ページ - C.1)

ステップ:

- ブラケットの側面にあるネジを緩めて取り外し、ベースを分解し、UNC1-4 ネジ 2 本でカメラの底面にベースを固定します。
- ベースの穴とブラケットの穴の位置を合わせ、先ほど外したネジで、ブラケットにベースを固定します。
- ドリルテンプレートに合わせて、ドリルで壁に穴 4 個を開けます。
- 拡張ボルトとガスケットとナットで、壁にカ

メラを固定します。

5. 接続部のネジを緩めてカメラのチルト角を調整し、ベース底部のネジを緩めてカメラのパン角を調整します。調整後、ネジを締めます。

ポールマウント (7 ページ - C.2)

1. ブラケットの側面にあるネジを緩めて取り外し、ベースを分解し、UNC1-4 ネジ 2 本でカメラの底面にベースを固定します。
2. ベースの穴とブラケットの穴の位置を合わせ、先ほど外したネジで、ブラケットにベースを固定します。
3. ポールマウントブラケットに結束バンド 3 本を通し、ポールにブラケットを固定します。
4. M4 ネジ 4 本で、ポールマウントブラケットにカメラを固定します。
5. 接続部のネジを緩めてカメラのチルト角を調整し、ベース底部のネジを緩めてカメラのパン角を調整します。調整後、ネジを締めます。

防水の方法 (8 ページ)

1. ネットワークケーブルの防水ジャケットを取り付けます (8 ページ - D)。
2. 付属の防水テープで、ケーブルコネクタと未使用のケーブルを保護します (8 ページ - E)。

保護対策 (9 ページ - F-1)

デバイスのアクティベーションとアクセス

(9 ページ - F-2)

ユーザーマニュアル



規制順守と安全性に関する情報

本デバイスを使用する前に、本書のすべての情報および使用方法をよくお読みになり、将来の参照用に保管してください。

デバイスの詳細な情報および使用方法については、当社のウェブサイトをご覧ください。
<https://www.hikvision.com> また、デバイスに付属の他の文書 (ある場合) を参照するか、パッケージの QR コード (ある場合) をスキャンして、詳細な情報を見ることもできます。

法的情報

免責事項

適用法で認められる最大限の範囲で、本マニュアルおよび説明されている製品 (ハードウェア、ソフトウェア、ファームウェアを含む) は、[現状のまま]および[すべての欠陥とエラーがある]状態で提供されます。HIKVISION は、明示あるいは黙示を問わず、商品性、満足な品質、または特定目的に対する適合性などを一切保証しません。本製品は、お客様の自己責任においてご利用ください。HIKVISION は、本製品の利用に関連する事業利益の損失や事業妨害、データの損失、システムの障害、文書の損失に関する損害を含む特別、必然、偶発または間接的な損害に対して、それが契約に対する違反、不法行為 (過失を含む)、製品の責任または製品の使用に関連するものであっても、たとえ HIKVISION がそうした損害および損失について通知を受けていたとしても、一切の責任を負いません。

お客様はインターネットが本質的に持つセキュリティリスクについて認識し、HIKVISION は、異常操作、プライバシー漏えいまたはサイバー攻撃、ハッキング、ウイルス感染やその他のセキュリティリスクから生じるその他の損害に対して一切の責任を負わないものとします。ただし、必要であれば HIKVISION は適宜技術サポートを提供します。

お客様には、すべての適用法に従って本製品を利用し、さらにご自分の利用法が適用法を順守していることを確認する責任があります。特に、肖像権、知的財産権、またはデータ保護等のプライバシー権を非限定的に含むサードパーティの権利を侵害しない手段で本製品を利用する責任があります。大量破壊兵器の開発や生産、化学兵器・生物兵器の開発や生産、核爆発物や危険な核燃料サイクル、または人権侵害に資する活動を含む、禁じられている最終用途の目的で本製品を使用してはなりません。本マニュアルと適用法における矛盾がある場合については、後者が優先されます。

規制情報

これらの条項は、対応するマークまたは情報が付された製品にのみ適用されます。

EU 適合宣言

CE 本製品および同梱の周辺機器（適用可能な場合）には「CE」マークが付いており、指令 (2014/30/EU) (EMCD)、指令 (2014/35/EU) (LVD)、および RoHS 指令 (2011/65/EU) に掲げる適用可能な欧州統一基準に準拠します。

Hangzhou Hikvision Digital Technology Co., Ltd. では、本デバイス（ラベルを参照）が指令 2014/53/EU に適合していることをここに宣言します。

Eu 適合宣言書の全文は、以下のインターネットアドレスから入手いただくことができます：
<https://www.hikvision.com/en/support/compliance/declaration-of-conformity>.

周波数帯および電力 (CE 用)

以下の無線装置に適用される周波数帯域と通信出力（放射および/または伝導）の公称値の許容範囲は次のとおりです。

Wi-Fi 2.4 GHz (2.4 GHz~2.4835 GHz) :
20 dBm.

以下の機器モデルの場合：**DS-2TD*GLT、**

DS-2TXS*GLT*。

LTE FDD :

バンド 1 : 1920~1980 MHz、23 dBm、クラス 3。

バンド 3 : 1710~1785 MHz、23 dBm、クラス 3。

バンド 5 : 824~849 MHz、23 dBm、クラス 3。

バンド 7 : 2500~2570 MHz、23 dBm、クラス 3。

バンド 8 : 880~915 MHz、23 dBm、クラス 3。

バンド 20 : 832~862 MHz、23 dBm、クラス 3。

バンド 28 : 703~748 MHz、23 dBm、クラス 3。

LTE TDD :

バンド 38 : 2570~2620 MHz、23 dBm、クラス 3。

バンド 40 : 2300~2400 MHz、23 dBm、クラス 3。

バンド 41 : 2555~2655 MHz、23 dBm、クラス 3。

WCDMA :

バンド 1 : 1920~1980 MHz、23.5 dBm、ク

ラス 3。

バンド 5 : 824~849 MHz、23.5 dBm、クラス 3。

バンド 8 : 880~915 MHz、23.5 dBm、クラス 3。

以下の機器モデルの場合：**DS-2TD*GLT(JP)、**

DS-2TXS*GLT*(JP)。

LTE FDD :

バンド 1 : 1920~1980 MHz、23 dBm、クラス 3。

バンド 3 : 1710~1785 MHz、23 dBm、クラス 3。

バンド 8 : 880~915 MHz、23 dBm、クラス 3。

バンド 11 : 1427.9~1452.9 MHz、23 dBm、クラス 3。

バンド 18 : 815~830 MHz、23 dBm、クラス 3。

バンド 19 : 830~845 MHz、23 dBm、クラス 3。

バンド 21 : 1447.9~1462.9 MHz、23 dBm、クラス 3。

バンド 26 : 814~849 MHz、23 dBm、クラス 3。

バンド 28 : 703~748 MHz、23 dBm、クラス 3。

LTE TDD :

バンド 41 : 2535~2655 MHz、23 dBm、クラス 3。

WCDMA :

バンド 1 : 1920~1980 MHz、23.5 dBm、クラス 3。

バンド 6 : 832.4~837.6MHz、23.5 dBm、クラス 3。

バンド 8 : 880~915 MHz、23.5 dBm、クラス 3。

バンド 19 : 830~845 MHz、23.5 dBm、クラス 3。

以下の機器モデルの場合：**DS-2TD*GLT(LA)、**

DS-2TXS*GLT*(LA)、DS-2TD*GLT(BR)、

DS-2TXS*GLT*(BR)。

LTE FDD :

バンド 1 : 1920~1980 MHz、23 dBm、クラス 3。

バンド 2 : 1850~1910 MHz、23 dBm、クラス 3。

バンド 3 : 1710~1785 MHz、23 dBm、クラス 3。

バンド 4 : 1710~1755 MHz、23 dBm、クラス 3。

バンド 5 : 824~849 MHz、23 dBm、クラス 3。
 バンド 7 : 2500~2570 MHz、23 dBm、クラス 3。
 バンド 8 : 880~915 MHz、23 dBm、クラス 3。
 バンド 12 : 699~716 MHz、23 dBm、クラス 3。
 バンド 17 : 704~716 MHz、23 dBm、クラス 3。
 バンド 28 : 703~748 MHz、23 dBm、クラス 3。
 バンド 66 : 1710~1780 MHz、23 dBm、クラス 3。

LTE TDD :

バンド 38 : 2570~2620 MHz、23 dBm、クラス 3。
 バンド 40 : 2300~2400 MHz、23 dBm、クラス 3。

WCDMA :

バンド 1 : 1920~1980 MHz、23.5 dBm、クラス 3。
 バンド 2 : 1850~1910 MHz、23.5 dBm、クラス 3。
 バンド 3 : 1710~1785 MHz、23.5 dBm、クラス 3。

バンド 5 : 824~849 MHz、23.5 dBm、クラス 3。
 バンド 8 : 880~915 MHz、23.5 dBm、クラス 3。

GSM/GPRS/EDGE :

バンド GSM850 : 850MHz、32.5 dBm、クラス 3。
 バンド GSM900 : 900MHz、32.5 dBm、クラス 3。
 バンド DCS1800 : 1800MHz、29.5 dBm、クラス 3。

付属の電源アダプターがない場合は、デバイスに認定メーカーが供給する電源アダプターをご使用ください。電源の詳細な要件については、製品仕様を参照してください。

付属のバッテリーがない場合は、デバイスに認定メーカーが供給するバッテリーをご使用ください。バッテリーの詳細な要件については、製品仕様を参照してください。

警告: 本製品はクラス A 製品です。居住環境において、本製品は電波干渉を起こす可能性があります。ユーザーが十分な措置を講じる必要が発生することがあります。



2012/19/EU (WEEE 指令): この記号が付いている製品は、欧州連合 (EU) の地方自治体の未分別廃棄物として処分できません。適切にリサイクルするために、本製品は同等の新しい装置を購入す

る際に、お近くの販売業者に返却いただくか、指定された収集場所で処分してください。詳細については以下を参照してください：
www.recyclethis.info。



2006/66/EC およびその修正案
 2013/56/EU (バッテリー指令): 本製品には、欧州連合 (EU) の地方自治体の未分別廃棄物として処分できないバッテリーが含まれています。特殊バッテリー情報に関する製品資料をご覧ください。バッテリーにはこの記号が付いており、カドミウム (Cd)、鉛 (Pb)、水銀 (Hg) を示す文字も記載されています。適切にリサイクルするために、販売業者か、指定された収集場所にご返却ください。詳細については以下を参照してください：
www.recyclethis.info。

安全に関する指示

これらの指示は、ユーザーが製品を正しく使用し、危険や財産損失を回避できるように保証することを目的としています。ご使用の前に、安全情報をよくお読みください。

法規と規則

本器は、各国の法規、電気安全規則、火災予防規則に準じて使用する必要があります。

輸送

- 輸送中は、デバイスを元のパッケージまたは類似したパッケージに梱包してください。
- 開梱後は、後日使用できるように、梱包材を保存しておいてください。不具合が発生した場合、元の梱包材を使用して工場に機器を返送する必要があります。
- 元の梱包材を使用せずに返送した場合、破損が発生する恐れがありますが、その際に、当社は一切責任を負いません。
- 製品を落下させたり、物理的な衝撃を与えないでください。本器を電磁妨害から遠ざけてください。

電源

- ご自分で充電器をお求めください。入力電圧 IEC62368規格の限定電源 (12V DC) を満たす必要があります。詳細情報に関しては技術仕様を参照してください。
- プラグが適切に電源ソケットに接続されていることを確認してください。
- ソケットアウトレットは、簡単にアクセスできるように、機器の近くに取り付けてください。
- 1台の電源アダプターに2台以上の機器を接続してはなりません。過負荷によって過熱したり、火災発生の危険があります。
- サーキットブレーカーをオンにしたら、インレットの金属接点に直接指を触れないでください。通電されています。
- +は、直流で使用されるか、または直流の電

流を生成する機器の正極端子を識別します。-は、直流で使用されるか、または直流の電流を生成する機器の負極端子を識別します。

- AC主電源に接続する端子の正しい配線を確認してください。

バッテリー

- バッテリーを不正な種別のもので交換すると爆発の危険があります。使用済みバッテリーは、指示に従って廃棄してください。
- 内蔵バッテリーは取り外しできません。修理については必要に応じてメーカーにお問い合わせください。
- バッテリーを長期保存する場合は、半年に一度はフル充電して、バッテリーの品質を保つようにしてください。これを怠った場合、破損の原因となります。
- この機器は、子供が近づく可能性のある場所での使用には適していません。
- 不正な種別のバッテリーとの不適切な交換は、安全装置を無効にする場合があります(たとえば、一部のリチウムバッテリータイプの場合など)。
- バッテリーを火や高温のオープンの中に投入したり、バッテリーを機械的に粉砕したり切断したりしないでください。爆発の原因となります。
- バッテリーを非常に高温の環境に放置しないでください。爆発や、可燃性の液体およびガスの漏出を引き起こす可能性があります。
- バッテリーを極端に低い空気圧下に置かないでください。爆発したり、可燃性の液体やガスが漏出することがあります。

ライトイルミネーター (サポートされている場合)



注意: 本製品から放出される光が有害である可能性があります。動作中のランプを注視しないでください。眼に悪影響を及ぼす恐れがあります。カメラの組立・設置・メンテナンスの際には、適切な保護眼鏡を着用するか、白色光を点灯しないでください。

設置

- 機器は不安定な場所に置かないでください。機器が落下して、使用者が死亡したり怪我を負う恐れがあります。
- この機器は、対応する取付金具でのみ使用できます。他のもの(カート、スタンド、キャリア)などで使用すると、不安定になり、けがをする可能性があります。

システムのセキュリティ


- お客様は、インターネットにはその性質上固有のセキュリティリスクがあることを了解し、異常動作、プライバシーの流出、またはサイバー攻撃やハッカー攻撃などによるその他の損害について、当社は一切責任を負いません。ただし、必要に応じて当社は適時技術的サポートを提供します。
- インターネットに接続するとデバイスがネットワークセキュリティの問題に直面することがありますから、個人情報やデータセキュリティを確実に保護してください。デバイスにネットワークセキュリティのリスクがある場合は、当社にご連絡ください。
- お客様は、デバイスに関するすべてのパスワードやその他のセキュリティ設定を行い、ユーザー名とパスワードを保管する責任があることをご理解ください。

メンテナンス

- 製品が正しく動作しない場合、販売店または最寄りのサービスセンターに連絡してください。承認されていない修理や保守行為による問題について、当社はいかなる責任も負いません。
- 一部のデバイスコンポーネント(電解コンデンサなど)は、定期的に交換する必要があります。製品の平均寿命は変動するため、定期的な点検をお勧めします。詳細については、販売店にお問い合わせください。
- 必要ならば、 Etaノールを少量含ませたきれいな布でデバイスを静かに拭きます。
- メーカーが指定していない方法で使用した場合、デバイスが提供する保護機能が損なわれる恐れがあります。
- 火災の危険を減らすために、ヒューズは同じ種類、定格のものとのみ交換してください。
- 機器のシリアルポートはデバッグの目的にのみ使用されます。
- 整備中は電源の接続を外してください。

使用環境

- 実行環境がデバイスの要件を満たしていることを確認します。動作温度は-40°C~65°C、動作湿度は5%~95%(結露なきこと)です。
- デバイスを強い電磁波や埃の多い環境にさらさないでください。
- レンズを太陽や極端に明るい場所に向けしないでください。
- 機器を水滴や水しぶきにさらさないでください。また、花瓶などの液体が入った物を機器の上に置かないでください。
- ろうそくのような裸火を機器の上に置かないでください。
- 山頂、鉄塔、森林などの特殊な状況では、機器のインレット開口にサージ防護機器を設置してください。

 この記号の付いた部分に手を触れると火傷します。スイッチを切って30分経過してから、部品に手を触れてください。

緊急


● デバイスから煙や異臭、異音が発生した場合、すぐに電源を切り、電源ケーブルを抜いて、サービスセンターにご連絡ください。

メーカー住所

310052 中国浙江省杭州市濱江区錢茂路555号

法令順守通知：本サーマルシリーズ製品は、アメリカ合衆国、欧州連合、英国などワッセナー・アレンジメントの会員国を含むがそれだけに限定されない各国・各地域で、輸出管理の対象となる可能性があります。サーマルシリーズ製品を外国へ転送・輸出・再輸出する場合は、貴社の法務・コンプライアンス部門もしくは自国の政府機関に、輸出ライセンスの条件についてご確認ください。

繁體中文

 產品外觀僅供參考，可能與實際產品有所不同。

外觀 (第 1 - A 頁)

元件與纜線

編號	組件與介面
1	攝影機
2	太陽光電面板
3	連接固定架
4	音源輸入, 音源輸出
5	警報輸入 x 2, 警報輸出 x 2
6	網路線
7	RS-485 電源線

安裝攝影機套件 (第 1 - B 頁)

步驟：

- 將攝影機安裝在連線固定架上。
 - 旋鬆並取下固定架側邊的螺絲，然後拆下底座。
 - 用兩顆 HSF UNC1-4-20X12 螺絲將底座固定到攝影機底部。
 - 將固定座孔與底座孔對齊，然後用原本的螺絲將底座固定到固定架。
- 將較長的纜線（如電源線和 RS-485 線）穿過連接固定架，然後用防水膠帶纏繞其他纜線加

以密封。

- 將電池裝入太陽光電面板。

注意事項：包裝中未隨附太陽能電池。請另外購買。

- 將連接固定架安裝到太陽能板。將 RS-485 線和電源線穿過轉換板孔，並將連接固定架孔對齊轉換板孔，然後旋緊螺絲固定這兩個元件。
- 鬆開並取下螺絲後拆下接線盒蓋。
- 將太陽板輸出線穿過接線盒孔，然後將攝影機電源線和 RS-485 線穿過轉換板孔和接線盒孔。連接這些線並旋緊螺絲完成安裝。

注意事項：用防水膠帶纏繞接線處加以密封。

- 選擇適當位置安裝套件。取出立桿安裝支架、安裝螺絲包和安裝桿，將 M12 螺栓穿過立桿安裝支架孔，然後用墊片和兩顆螺帽將每顆螺栓鎖緊。
- 將套件掛在立桿安裝支架上，並用墊片、彈簧墊圈和螺帽固定套件。
- 用安全繩纏繞立桿安裝支架，並在安全繩上加鎖扣。
- 調整太陽 PV 板和攝影機角度。

安裝單件式攝影機 (第 6 - C 頁)

壁掛 (第 6 - C.1 頁)

步驟：

1. 鬆開並取下支架邊側的螺絲後拆下底座，然後用兩顆 UNC1-4 螺絲將底座固定到攝影機底部。
2. 對齊底座孔和支架孔，用先前取下的兩顆螺絲將底座固定到支架。
3. 依鑽孔模版在牆上鑽四個孔。
4. 用膨脹螺栓、墊片和螺帽將攝影機固定在牆上。
5. 鬆開連接處螺絲，調整攝影機仰角，然後鬆開底座底部螺絲，調整攝影機的水平角度。調整後鎖緊螺絲。

立桿安裝 (第 7 - C.2 頁)

1. 鬆開並取下支架邊側的螺絲後拆下底座，然後用兩顆 UNC1-4 螺絲將底座固定到攝影機底部。
2. 對齊底座孔和支架孔，用先前取下的兩顆螺絲將底座固定到支架。
3. 將三個快速鎖環穿過立桿安裝架，然後將安裝架固定在立桿上。
4. 用四個 M4 螺絲將攝影機固定到立桿安裝架上。
5. 鬆開連接處螺絲，調整攝影機仰角，然後鬆開底座底部螺絲，調整攝影機的水平角度。調整後鎖緊螺絲。

防水方法 (第 8 頁)

1. 安裝網路線防水套 (第 8 - D 頁)。
2. 用隨附的防水膠帶來保護接線器和未使用的纜線 (第 8 - E 頁)。

保護方法 (第 9 - F - 1 頁)

啟用與存取裝置 (第 9 - F - 2 頁)

使用手冊



法規合規性與安全性資訊

使用裝置前請詳閱本文件的所有資訊和說明，並妥善保管本文件以便日後查閱。

欲了解更多有關裝置的資訊和說明，請前往 <https://www.hikvision.com>。您也可以參考裝置隨附的其他文件 (如有)，或者掃描包裝上的 QR 碼 (如有) 取得更多資訊。

法律資訊

免責聲明

在適用法律允許的最大範圍內，本手冊及所描述產品，其硬體、軟體和韌體均以「現狀」提供，瑕疵錯誤概不負責。HIKVISION 不作任何明示或暗示的保證，包括但不限於適售性、品質滿意度或適合某特定用途。您必須承擔使用本產品的風險。對於任何特殊、衍生、偶發或間接的損害，包括但不限於營業利潤損失、營業中斷，或者資料遺失、系統毀損或文件遺失，只要是基於違反合約、侵權 (包括過失)、產品責任或產品使用 (即使 HIKVISION 已知悉可能有此類損害或損失)，HIKVISION 概不負責。

您了解網際網路的性質具有固有的安全風險，對於因網路攻擊、駭客攻擊、病毒感染或其他網路安全風險而造成的異常運作、隱私洩漏或其他損害，HIKVISION 概不承擔任何責任；但 HIKVISION 將提供及時的技術支援。

您同意依照所有適用法律使用本產品，而且您有責任確保您的使用符合適用法律。特別是，您有責任在使用本產品時不侵犯第三方權利，包括但不限於出版權、知識財產權或資訊保護以及其他隱私權。您不得將本產品用於任何禁止的最終用途，包括開發或生產大規模毀滅性武器、開發或生產化學武器或生物武器，以及任何有關核爆炸或不安全核燃料循環的任何活動，或支持侵犯人權。

如果本手冊與適用法律產生任何衝突，以後者為準。

法規資訊

這些條款僅適用於帶有對應標記或資訊的產品。

EU 合規性聲明

CE 本產品及 (如果適用) 其附件都已標示「CE」, 因此符合適用指令 2014/30/EU (EMCD)、指令 2014/35/EU (LVD)、指令 2011/65/EU (RoHS) 所列之統一歐洲標準。

特此, 杭州海康威視數位技術股份有限公司聲明本裝置 (請參考標籤) 符合指令 2014/53/EU。

歐盟符合性聲明的全文可在以下網址取得：
<https://www.hikvision.com/en/support/compliance/declaration-of-conformity>。

頻帶和功率 (用於 CE)

頻帶和傳輸功率 (輻射及/或導通) 標稱限值, 適用於以下無線電設備, 如下：
 Wi-Fi 2.4 GHz (2.4 GHz ~ 2.4835 GHz) : 20 dBm.

適用設備機型: DS-2TD*GLT, DS-2TXS*GLT*。

LTE FDD:

頻帶 1: 1920 ~ 1980 MHz, 23 dBm, 第 3 類;
 頻帶 3: 1710 ~ 1785 MHz, 23 dBm, 第 3 類;
 頻帶 5: 824 ~ 849 MHz, 23 dBm, 第 3 類;
 頻帶 7: 2500 ~ 2570 MHz, 23 dBm, 第 3 類;
 頻帶 8: 880 ~ 915 MHz, 23 dBm, 第 3 類;
 頻帶 20: 832 ~ 862 MHz, 23 dBm, 第 3 類;
 頻帶 28: 703 ~ 748 MHz, 23 dBm, 第 3 類。

LTE TDD:

頻帶 38: 2570 ~ 2620 MHz, 23 dBm, 第 3 類;
 頻帶 40 : 2300 ~ 2400 MHz, 23 dBm, 第 3 類;
 頻帶 41: 2555 ~ 2655 MHz, 23 dBm, 第 3 類。

WCDMA:

頻帶 1: 1920 ~ 1980 MHz, 23.5 dBm, 第 3 類;
 頻帶 5: 824 ~ 849 MHz, 23.5 dBm, 第 3 類;
 頻帶 8: 880 ~ 915 MHz, 23.5 dBm, 第 3 類。

適用設備機型: DS-2TD*GLT(JP),

DS-2TXS*GLT*(JP)。

LTE FDD:

頻帶 1: 1920 ~ 1980 MHz, 23 dBm, 第 3 類;
 頻帶 3: 1710 ~ 1785 MHz, 23 dBm, 第 3 類;
 頻帶 8: 880 ~ 915 MHz, 23 dBm, 第 3 類;
 頻帶 11: 1427.9 ~ 1452.9 MHz, 23 dBm, 第 3 類;
 頻帶 18: 815 ~ 830 MHz, 23 dBm, 第 3 類;
 頻帶 19 : 830 ~ 845 MHz, 23 dBm, 第 3 類;
 頻帶 21: 1447.9 ~ 1462.9 MHz, 23 dBm, 第 3 類;
 頻帶 26: 814 ~ 849 MHz, 23 dBm, 第 3 類;
 頻帶 28: 703 ~ 748 MHz, 23 dBm, 第 3 類。

LTE TDD:

頻帶 41: 2535 ~ 2655 MHz, 23 dBm, 第 3 類。
 WCDMA:
 頻帶 1: 1920 ~ 1980 MHz, 23.5 dBm, 第 3 類;
 頻帶 6: 832.4 ~ 837.6 MHz, 23.5 dBm, 第 3 類;
 頻帶 8: 880 ~ 915 MHz, 23.5 dBm, 第 3 類;
 頻帶 19 : 830 ~ 845 MHz, 23.5 dBm, 第 3 類。

適用設備機型: DS-2TD*GLT(LA),

DS-2TXS*GLT*(LA), DS-2TD*GLT(BR), DS-2TXS*GLT*(BR)。

LTE FDD:

頻帶 1: 1920 ~ 1980 MHz, 23 dBm, 第 3 類;
 頻帶 2: 1850 ~ 1910 MHz, 23 dBm, 第 3 類;
 頻帶 3: 1710 ~ 1785 MHz, 23 dBm, 第 3 類;
 頻帶 4: 1710 ~ 1755 MHz, 23 dBm, 第 3 類;
 頻帶 5: 824 ~ 849 MHz, 23 dBm, 第 3 類;
 頻帶 7: 2500 ~ 2570 MHz, 23 dBm, 第 3 類;
 頻帶 8: 880 ~ 915 MHz, 23 dBm, 第 3 類;
 頻帶 12: 699 ~ 716 MHz, 23 dBm, 第 3 類;
 頻帶 17: 704 ~ 716 MHz, 23 dBm, 第 3 類;
 頻帶 28: 703 ~ 748 MHz, 23 dBm, 第 3 類;
 頻帶 66: 1710 ~ 1780 MHz, 23 dBm, 第 3 類。

LTE TDD:

頻帶 38: 2570 ~ 2620 MHz, 23 dBm, 第 3 類;
 頻帶 40 : 2300 ~ 2400 MHz, 23 dBm, 第 3 類。

WCDMA:

頻帶 1 :1920 ~ 1980 MHz, 23.5 dBm, 第 3 類;
 頻帶 2 :1850 ~ 1910 MHz, 23.5 dBm, 第 3 類;
 頻帶 3 :1710 ~ 1785 MHz, 23.5 dBm, 第 3 類;
 頻帶 5 : 824 ~ 849 MHz, 23.5 dBm, 第 3 類;
 頻帶 8 : 880 ~ 915 MHz, 23.5 dBm, 第 3 類。

GSM/GPRS/EDGE:

頻帶 GSM850: 850 MHz, 32.5 dBm, 第 3 類;
 頻帶 GSM900: 900 MHz, 32.5 dBm, 第 3 類;
 頻帶 DCS1800: 1800 MHz, 29.5 dBm, 第 3 類。

裝置未隨附電源變壓器時, 請使用合格製造商提供的電源變壓器。有關詳細的功率要求, 請參閱產品規格。

裝置未隨附電池時, 請使用合格製造商提供的電池。有關詳細的電池要求, 請參閱產品規格。

警告: 這是 A 類產品。在家庭環境中, 本產品可能會造成無線電干擾, 在這種情況下, 使用者可能需要採取適當的措施。



2012/19/EU (WEEE 指令) : 已標示此符號的產品在歐盟不得當成未分類的都市廢棄物處理。為了正確回收, 請在購買同等的新設備時將本產品退回當地供應商, 或將其棄置在指定的回收點。詳細資訊請參閱: www.recyclethis.info。



2006/66/EC 及其修訂 2013/56/EU (電池指令)：本產品內含一顆電池，在歐盟區不能當成未分類的都市廢棄物處理。有關特定的電池資訊，請參閱產品說明文件。已標示此符號的電池可能含有代表鎘 (Cd)、鉛 (Pb) 或汞 (Hg) 的字母。為正確回收，請將電池送回供應商或指定的回收點。詳細資訊請參閱 www.recyclethis.info。

安全說明

這些指示的目的在確保使用者正確使用本產品，避免造成危險或財產損失。使用前請先閱讀所有的安全性資訊。

法律和法規

應遵守當地法律、電氣安全法規和防火法規使用本裝置。

運輸

- 在運送裝置時，請將裝置放入原本的或類似的包裝中。
- 在拆封後保留所有包裝以供將來使用。如果發生任何故障，則需要利用原本的包裝將裝置送回工廠。
- 未使用原本的包裝運輸可能會導致裝置損壞，本公司概不承擔任何責任。
- 請勿使本產品掉落或遭受撞擊。請讓裝置遠離磁性干擾。

電源供應

- 請自行購買充電器。輸入電壓應符合 IEC62368 標準的有限電源 (12 VDC) 規定。如需詳細資訊，請參閱技術規格。
- 確認已將插頭正確連接至電源插座。
- 電源插座應安裝在裝置附近，而且伸手可及。
- 請勿將多個裝置連接至相同電源變壓器以避免過熱，或因過載造成火災危險。
- 關閉斷路器後，禁止觸碰進電處的外露接點。仍有電力。
- 「+」代表裝置的正極，搭配使用或產生直流電。「-」代表裝置的負極，搭配使用或產生直流電。
- 務必正確地將端子接線到 AC 主電源。

電池

- 若更換的電池類型不正確，會有爆炸的風險。請依照指示棄置使用過的電池。
- 內建電池無法拆卸。如有需要，請聯絡製造商進行維修。
- 為了長期儲存電池，請確保電池每半年充滿電，以確保電池品質。否則，可能會造成損壞。
- 本裝置不適合在兒童可能出現的場所使用。
- 換錯類型不正確的電池，可能會使保護措施失效 (例如，某些類型的鋰電池)。
- 禁止將電池棄置火中或高溫烤箱中，並禁止使用機械來壓碎或切碎電池，否則可能導致爆炸。
- 禁止將電池置於極高溫的環境中，否則可能導

致爆炸或造成易燃液體或氣體洩漏。

- 禁止將電池置於極低空氣壓力下，否則可能導致爆炸或造成易燃液體或氣體洩漏。

燈光照明 (若支援)



注意：本產品可能發出有害的光學輻射。請勿盯著操作中的光源。可能對眼睛有害。請配戴合適的護目鏡或嚴禁在組裝、安裝或維護攝影機時開啟其電源。

安裝

- 切勿將裝置置於不牢固的地方。裝置可能會因此掉落，造成嚴重的人員傷亡。
- 本裝置僅可使用指定的支架。與其他物品 (推車、支架或運輸車) 搭配使用，可能會導致不穩定而造成傷害。

系統安全性

- 您瞭解網際網路在本質上具有安全風險，對於因網路攻擊、駭客攻擊、病毒感染或其他網路安全風險而造成的運作異常、隱私洩漏或其他損害，本公司一概不負責；但本公司將提供及時的技術支援。
- 請採取個人資訊與資料安全措施，因為當裝置連線到網際網路時，可能會遭遇網路安全問題。若是裝置有網路安全風險的問題，請與我們聯絡。
- 請瞭解您必須負責替裝置設定所有密碼和其他安全性設定，並記下您的使用者名稱和密碼。


維護

- 如果產品無法正常運作，請聯絡您的經銷商或最近的服務中心。對於因未經授權的維修或保養而造成的問題，本公司概不承擔任何責任。
- 部分裝置組件 (例如電解電容) 需要定期更換。平均壽命不同，因此建議定期檢查。如需詳細資訊，請聯絡您的零售商。
- 如有需要，請使用乾淨的布和少量酒精輕輕擦拭裝置。
- 如果以製造商未指定的方式使用設備，則可能會影響裝置所提供的保護。
- 為降低火災風險，只能更換類型與額定值相同的保險絲。
- 裝置的序列埠僅供調整使用。
- 維修期間請中斷電源。

使用環境

- 請確定操作環境符合裝置的需求。工作溫度應在 -40 °C ~ 65 °C (-40 °F ~ 149 °F) 之間，工作濕度應在 5% ~ 95% 之間，且無結露。
- 請勿使裝置暴露於高電磁輻射或塵土飛揚的環境中。
- 請勿將鏡頭準準陽光或任何其他明亮的光線。
- 本裝置不得暴露在會滴水或濺水的環境中，且不得將裝有液體的物品 (例如花瓶) 放在裝置上。

- 不得將開放性火源（例如點燃的蠟燭）放置在裝置上。
- 在特殊環境，例如山頂、鐵塔和森林中，請在裝置的進電處加上突波抑制器。

●  處理這些零件會燙傷手指。請在關閉電源後半小時再處理這些零件。

緊急

- 如果裝置產生煙霧、異味或噪音，請立即關閉電源，拔除電源線，並聯絡維修中心。

製造地址

310052 中國杭州市濱江區阡陌路 555 號
杭州海康威視數字技術股份有限公司

合規性注意事項：熱像系列產品可能在不同國家或地區受到出口管制，包括但不限於美國、歐盟、英國和/或瓦森納協議的其他成員國。如果您打算在不同國家之間轉讓、出口、再出口熱像系列產品，請洽詢您的專業法律或合規性專家或地方政府機關，以瞭解任何必要的出口許可要求。

