



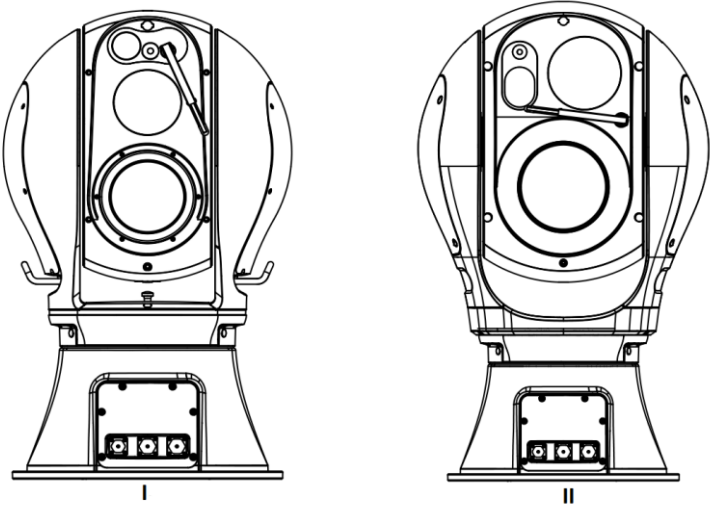
Thermal Sphere Positioning System

Quick Start Guide

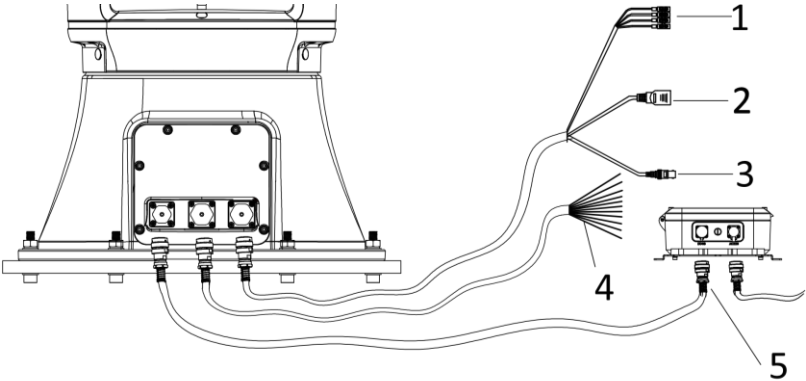
Table of Contents

<i>English</i>	8	<i>Română</i>	38
<i>Français</i>	10	<i>Slovenčina</i>	40
<i>Deutsch</i>	13	<i>Bahasa Indonesia</i>	43
<i>Español</i>	16	🇮🇩	46
<i>Italiano</i>	19	<i>Türkçe</i>	52
<i>Português</i>	22	<i>Русский</i>	55
<i>Nederlands</i>	24	<i>Українська</i>	58
<i>Čeština</i>	27	영어	61
<i>Dansk</i>	30	日本語	64
<i>Magyar</i>	32	繁體中文	67
<i>Polski</i>	35		

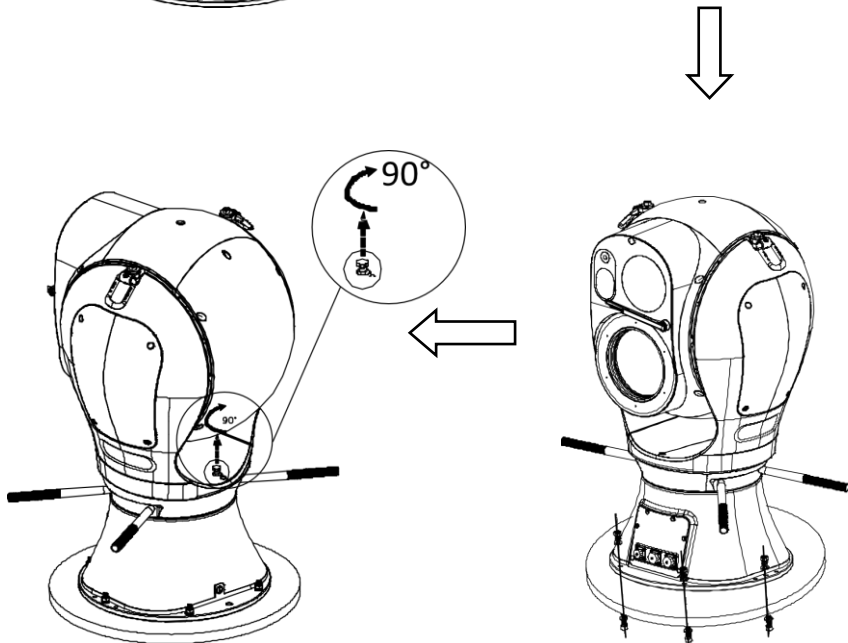
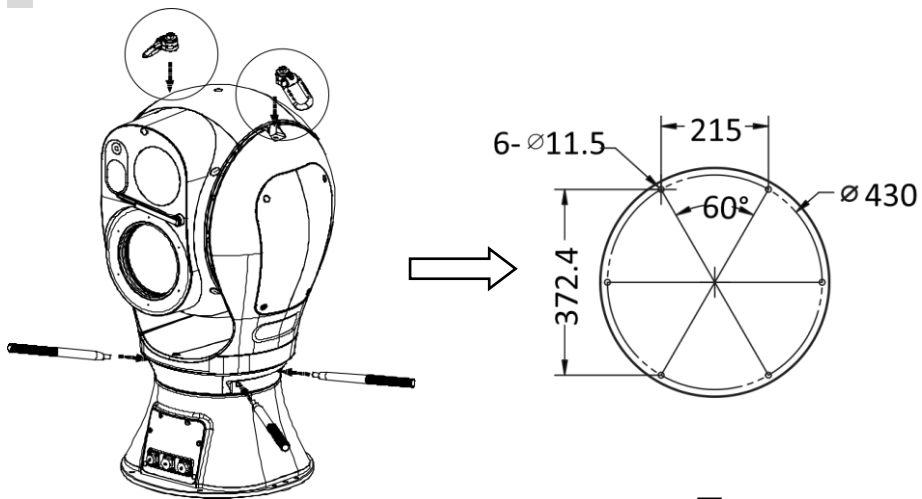
A

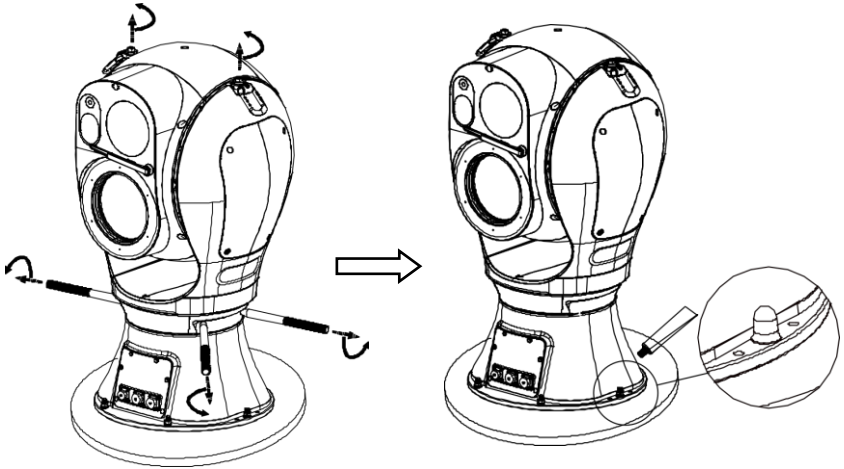


B

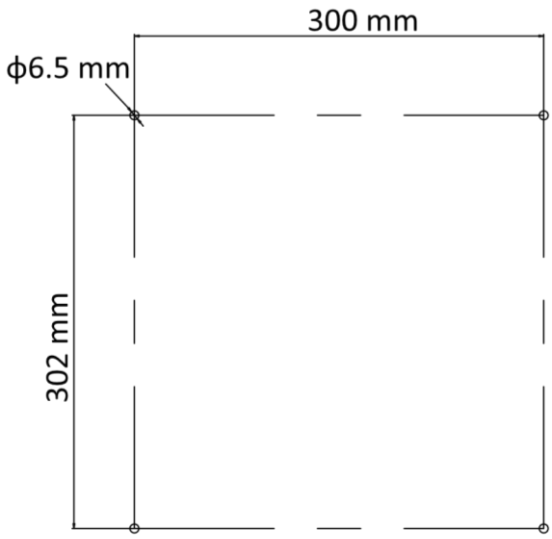


C

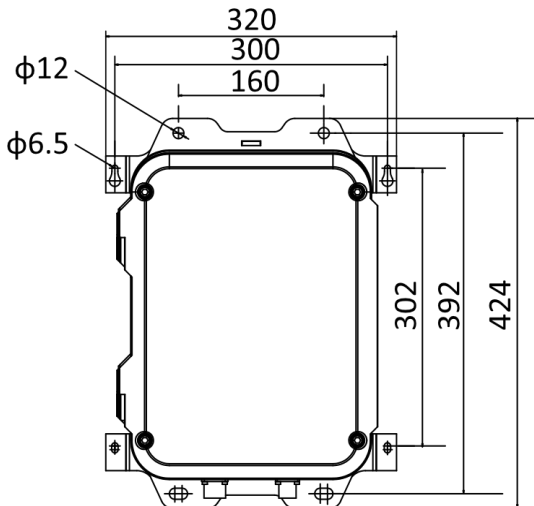




D
I
①

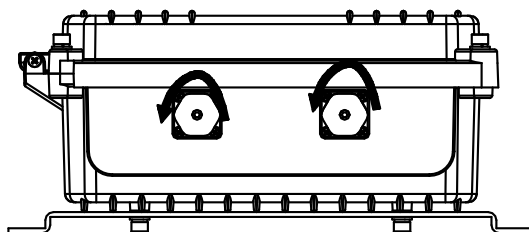


②

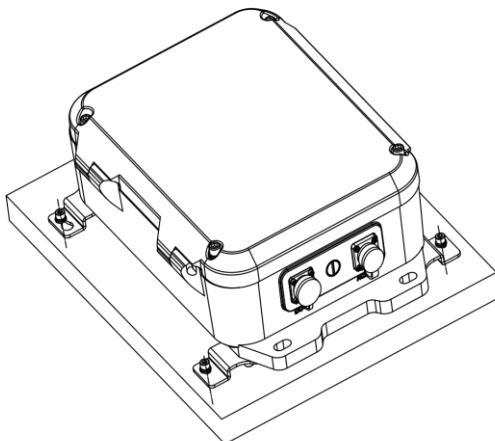


Unit:mm

③

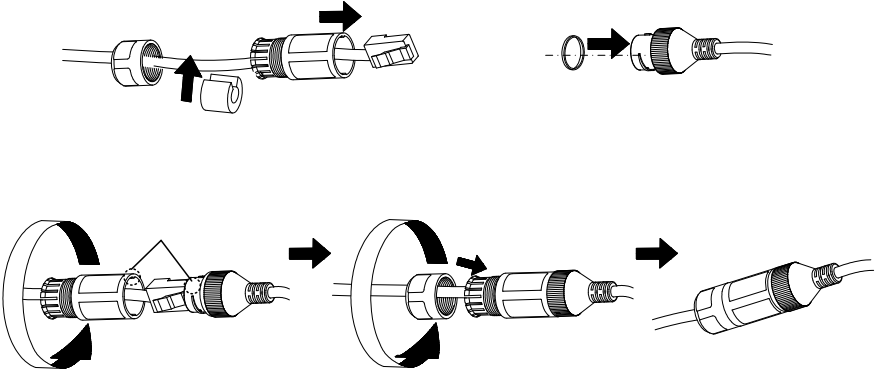


II

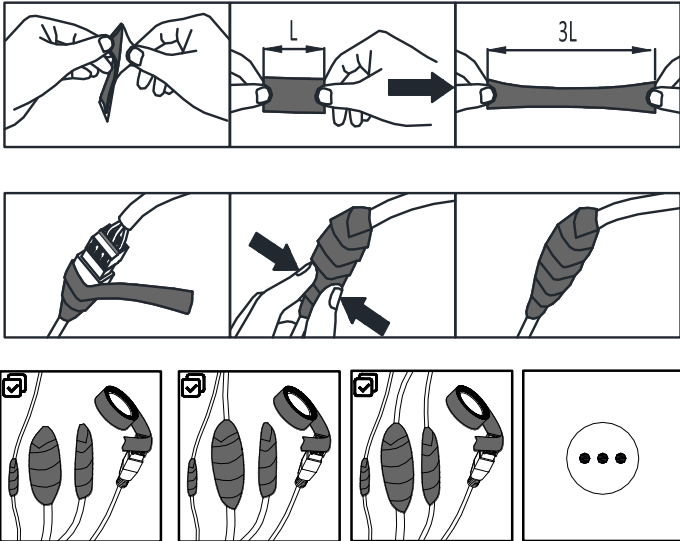


E

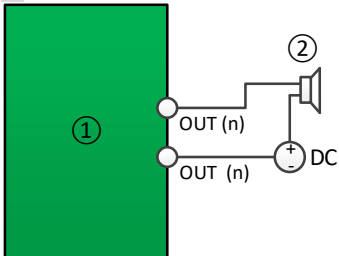
1

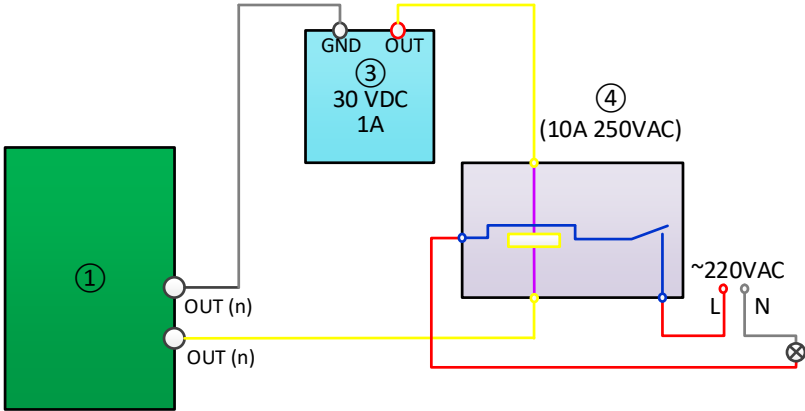


2



F





G



1



2



Product appearance is for reference only and may differ from the actual product.

Appearance (Page 2 – A)

There are two types of thermal sphere positioning systems. Please take the actual device for reference.

Cable Description (Page 2 – B)

1. RS-485
2. Network Cable: Connect the network interface with network cable.
3. BNC: Connect video interface.
4. Alarm Cable: Connect terminal ALARM-IN with terminal GND, and connect terminal ALARM-OUT and terminal ALARM-COM.
5. Power Input Cable: Support 48 VDC power supply.

Install the Camera (Page 3 – C)

The installation steps of the two types of cameras are the same. Here is an installation example of the type II camera.

Steps:

1. Move the device to the specified location in either of the following ways.
 - a) Pull out the rubber plugs at the top of the device, insert and fix the lifting rings to the holes, and move the device to the specified location with a lever or a crane.
 - b) Pull out the rubber plugs on the device base, insert and fix the handheld carrying poles to the holes, and then lift up and move the device to the specified location.
2. Drill six holes on the bracket according to the dimension of the bracket.
3. Take out six M10 × 50 screws, and fix the device to the bracket with the screws.
4. Pull the horizontal positioning pin upward, and rotate the positioning pin 90° clockwise to unlock the device. You can hear a click if the operation is successful.
5. Remove the lifting rings and handheld carrying poles, and insert the rubber plugs back.
6. Apply the anti-corrosion gel on the screws.

Install the Power Box (Page 4 – D)

Before you start the installation, prepare a installation panel by yourself, and fix it at the required place.

Method I: Vertical Installation

Steps:

1. Drill four ϕ 6.5 mm holes on the installation panel according to the instruction in D – I – ①.
2. Screw four M6 screws into the installation panel. Leave at least 5 mm space between the screwhead and the installation panel.
3. Align the four bigger holes on the back panel of the power box with the four screws, move the power box downward to hang it on the installation panel, and tighten the screws to fix the power box.
4. Remove the waterproof covers and connect the corresponding cables.

Method II: Horizontal Installation

Steps:

1. Drill four ϕ 6.5 mm holes on the installation panel according to instruction (as shown in D – I – ①).
2. Fix the power box on the installation panel with four M6 screws.

Waterproof Method (Page 6 – E)

1. Install network cable waterproof jacket.
2. Use supplied waterproof tape to protect cable connectors and unused cables.

Alarm Output (Page 6 – F)

- ① Relay output
- ② DC load
- ③ Power supply
- ④ JQC-3FG Relay

Protective Measures (Page 7 – G – 1)

Activate and Access Network Camera (Page 7 – G – 2)

User Manual



©2022 Hangzhou Hikvision Digital Technology Co., Ltd. All rights reserved.

About this Manual

The Manual includes instructions for using and managing the Product. Pictures, charts, images and all other information hereinafter are for description and explanation only. The information contained in the Manual is subject to change, without notice, due to firmware updates or other reasons. Please find the latest version of this Manual at the Hikvision website (<https://www.hikvision.com/>).

Please use this Manual with the guidance and assistance of professionals trained in supporting the Product.

Trademarks

HIKVISION and other Hikvision's trademarks and logos are the properties of Hikvision in various jurisdictions.

Other trademarks and logos mentioned are the properties of their respective owners.

DISCLAIMER

TO THE MAXIMUM EXTENT PERMITTED BY APPLICABLE LAW, THIS MANUAL AND THE PRODUCT DESCRIBED, WITH ITS HARDWARE, SOFTWARE AND FIRMWARE, ARE PROVIDED "AS IS" AND "WITH ALL FAULTS AND ERRORS". HIKVISION MAKES NO WARRANTIES, EXPRESS OR IMPLIED, INCLUDING WITHOUT LIMITATION, MERCHANTABILITY, SATISFACTORY QUALITY, OR FITNESS FOR A PARTICULAR PURPOSE. THE USE OF THE PRODUCT BY YOU IS AT YOUR OWN RISK. IN NO EVENT WILL HIKVISION BE LIABLE TO YOU FOR ANY SPECIAL, CONSEQUENTIAL, INCIDENTAL, OR INDIRECT DAMAGES, INCLUDING, AMONG OTHERS, DAMAGES FOR LOSS OF BUSINESS PROFITS, BUSINESS INTERRUPTION, OR LOSS OF DATA, CORRUPTION OF SYSTEMS, OR LOSS OF DOCUMENTATION, WHETHER BASED ON BREACH OF CONTRACT, TORT (INCLUDING NEGLIGENCE),

PRODUCT LIABILITY, OR OTHERWISE, IN CONNECTION WITH THE USE OF THE PRODUCT, EVEN IF HIKVISION HAS BEEN ADVISED OF THE POSSIBILITY OF SUCH DAMAGES OR LOSS.

YOU ACKNOWLEDGE THAT THE NATURE OF THE INTERNET PROVIDES FOR INHERENT SECURITY RISKS, AND HIKVISION SHALL NOT TAKE ANY RESPONSIBILITIES FOR ABNORMAL OPERATION, PRIVACY LEAKAGE OR OTHER DAMAGES RESULTING FROM CYBER-ATTACK, HACKER ATTACK, VIRUS INFECTION, OR OTHER INTERNET SECURITY RISKS; HOWEVER, HIKVISION WILL PROVIDE TIMELY TECHNICAL SUPPORT IF REQUIRED.

YOU AGREE TO USE THIS PRODUCT IN COMPLIANCE WITH ALL APPLICABLE LAWS, AND YOU ARE SOLELY RESPONSIBLE FOR ENSURING THAT YOUR USE CONFORMS TO THE APPLICABLE LAW. ESPECIALLY, YOU ARE RESPONSIBLE, FOR USING THIS PRODUCT IN A MANNER THAT DOES NOT INFRINGE ON THE RIGHTS OF THIRD PARTIES, INCLUDING WITHOUT LIMITATION, RIGHTS OF PUBLICITY, INTELLECTUAL PROPERTY RIGHTS, OR DATA PROTECTION AND OTHER PRIVACY RIGHTS. YOU SHALL NOT USE THIS PRODUCT FOR ANY PROHIBITED END-USES, INCLUDING THE DEVELOPMENT OR PRODUCTION OF WEAPONS OF MASS DESTRUCTION, THE DEVELOPMENT OR PRODUCTION OF CHEMICAL OR BIOLOGICAL WEAPONS, ANY ACTIVITIES IN THE CONTEXT RELATED TO ANY NUCLEAR EXPLOSIVE OR UNSAFE NUCLEAR FUEL-CYCLE, OR IN SUPPORT OF HUMAN RIGHTS ABUSES.

IN THE EVENT OF ANY CONFLICTS BETWEEN THIS MANUAL AND THE APPLICABLE LAW, THE LATTER PREVAILS.

Regulatory Information

These clauses apply only to the products bearing the corresponding mark or information.

FCC Information

Please take attention that changes or modification not expressly approved by the party responsible for compliance could void the user's authority to operate the equipment.

FCC compliance: This equipment has been tested and found to comply with the limits for a Class A digital device, pursuant to part 15 of the FCC Rules. These limits are designed to provide reasonable protection against harmful interference when the equipment is operated in a commercial environment. This equipment generates, uses, and can radiate radio frequency energy and, if not installed and used in accordance with the instruction manual, may cause harmful interference to radio communications. Operation of this equipment in a residential area is likely to cause harmful interference in which case the user will be required to correct the interference at his own expense.

FCC Conditions

This device complies with part 15 of the FCC Rules. Operation is subject to the following two conditions:

1. This device may not cause harmful interference.
2. This device must accept any interference received, including interference that may cause undesired operation.

EU Conformity Statement

This product and - if applicable - the supplied accessories too are marked with "CE" and comply

therefore with the applicable harmonized European standards listed under the EMC Directive 2014/30/EU, the RoHS Directive 2011/65/EU.

2012/19/EU (WEEE directive): Products marked with this symbol cannot be disposed of as unsorted municipal waste in the European Union. For proper recycling, return this product to your local supplier upon the purchase of equivalent new equipment, or dispose of it at designated collection points. For more information see: www.recyclethis.info



2006/66/EC and its amendment 2013/56/EU (battery directive): This product contains a battery that cannot be disposed of as unsorted municipal waste in the European Union. See the product documentation for specific battery information. The battery is marked with this symbol, which may include lettering to indicate cadmium (Cd), lead (Pb), or mercury (Hg). For proper recycling, return the battery to your supplier or to a designated collection point. For more information see: www.recyclethis.info.



Industry Canada ICES-003 Compliance

This device meets the CAN ICES-3 (A)/NMB-3(A) standards requirements.

이 기기는 업무용 환경에서 사용할 목적으로 적합성평가를 받은 기기로서 가정용 환경에서 사용하는 경우 전파간섭의 우려가 있습니다.

Safety Instructions

These instructions are intended to ensure that user can use the product correctly to avoid danger or property loss.

Laws and Regulations

The device should be used in compliance with local laws, electrical safety regulations, and fire prevention regulations.

Transportation

- Keep the device in original or similar packaging while transporting it.
- Keep all wrappers after unpacking them for future use. In case of any failure occurred, you need to return the device to the factory with the original wrapper.
- Transportation without the original wrapper may result in damage on the device and the company shall not take any responsibilities.
- Do not drop the product or subject it to physical shock. Keep the device away from magnetic interface.

Power Supply

- Please purchase the charger by yourself. Input voltage should meet the Limited Power Source (48 VDC) according to the IEC62368 standard. Please refer to technical specifications for detailed information.
- Make sure the plug is properly connected to the power socket.
- The socket-outlet shall be installed near the equipment and shall be easily accessible.
- DO NOT connect multiple devices to one power adapter, to avoid over-heating or fire hazards caused by overload.
- DO NOT touch the bare metal contacts of the inlets after the circuit breaker is turned off. Electricity still exists.
- + identifies the positive terminal(s) of equipment which is used with, or generates direct current. - identifies the negative terminal(s) of equipment which is used with, or generates direct current.
- Ensure correct wiring of the terminals for

connection to an AC mains supply.

Battery

- Risk of explosion if the battery is replaced by an incorrect type. Dispose of used batteries according to the instructions. Il y a risque d'explosion si la batterie est remplacée par une batterie de type incorrect. Mettre au rebut les batteries usagées conformément aux instructions.
- The built-in battery cannot be dismantled. Please contact the manufacturer for repair if necessary.
- For long-term storage of the battery, make sure it is fully charged every half year to ensure the battery quality. Otherwise, damage may occur.
- This equipment is not suitable for use in locations where children are likely to be present.
- Improper replacement of the battery with an incorrect type may defeat a safeguard (for example, in the case of some lithium battery types).
- DO NOT dispose of the battery into fire or a hot oven, or mechanically crush or cut the battery, which may result in an explosion.
- DO NOT leave the battery in an extremely high temperature surrounding environment, which may result in an explosion or the leakage of flammable liquid or gas.
- DO NOT subject the battery to extremely low air pressure, which may result in an explosion or the leakage of flammable liquid or gas.

Installation

- Never place the equipment in an unstable location. The equipment may fall, causing serious personal injury or death.
- This equipment is for use only with corresponding brackets. Use with other (carts, stands, or carriers) may result in instability causing injury.

System Security

- You acknowledge that the nature of Internet provides for inherent security risks, and our company shall not take any responsibilities for abnormal operation, privacy leakage or other damages resulting from cyber attack, hacker attack, however, our company will provide timely technical support if required.
- Please enforce the protection for the personal information and the data security as the device may be confronted with the network security problems when it is connected to the Internet. Please contact us when the device might exist network security risks.
- Please understand that you have the responsibility to configure all the passwords and other security settings about the device, and keep your user name and password.


Maintenance

- If the product does not work properly, please contact your dealer or the nearest service center. We shall not assume any responsibility for

problems caused by unauthorized repair or maintenance.

- A few device components (e.g., electrolytic capacitor) require regular replacement. The average lifespan varies, so periodic checking is recommended. Contact your dealer for details.
- Wipe the device gently with a clean cloth and a small quantity of ethanol, if necessary.
- If the equipment is used in a manner not specified by the manufacturer, the protection provided by the device may be impaired.
- To reduce the risk of fire, replace only with the same type and rating of fuse.
- The serial port of the equipment is used for debugging only.
- Disconnect the power source during servicing.

Using Environment

- Make sure the running environment meets the requirement of the device. The operating temperature shall be -40°C to 70°C (-40°F to 158°F), and the operating humidity shall be 95% or less, no condensing.
- DO NOT expose the device to high electromagnetic radiation or dusty environments.
- DO NOT aim the lens at the sun or any other bright light.
- The equipment shall not be exposed to dripping or splashing and that no objects filled with liquids, such as vases, shall be placed on the equipment.
- No naked flame sources, such as lighted candles, should be placed on the equipment.
- Provide a surge suppressor at the inlet opening of the equipment under special conditions such as the mountain top, iron tower, and forest.
- Burned fingers when handling the parts with symbol . Wait one-half hour after switching off before handling the parts.

Emergency

- If smoke, odor, or noise arises from the device, immediately turn off the power, unplug the power cable, and contact the service center.

Manufacture Address

No.555 Qianmo Road, Binjiang District, Hangzhou 310052, China
Hangzhou Hikvision Digital Technology Co.,Ltd.

COMPLIANCE NOTICE: The thermal series products might be subject to export controls in various countries or regions, including without limitation, the United States, European Union, United Kingdom and/or other member countries of the Wassenaar Arrangement. Please consult your professional legal or compliance expert or local government authorities for any necessary export license requirements if you intend to transfer, export, re-export the thermal series products between different countries.

Français



L'image du produit est donnée uniquement à titre de référence et le produit réel peut présenter un aspect différent.

Apparence (page 2 - A)

Deux types de systèmes thermiques de positionnement sphériques sont disponibles. Veuillez vous référer à l'appareil réel.

Description des câbles (page 2 - B)

1. RS-485
2. Câble réseau : connectez l'interface réseau à l'aide d'un câble réseau.
3. BNC : connectez l'interface vidéo.
4. Câble d'alarme : connectez la borne ALARM-IN à la borne de l'interface GND, puis connectez la

borne ALARM-OUT à la borne ALARM-COM.

5. Câble d'entrée d'alimentation : prend en charge l'alimentation électrique de 48 V CC.

Installer la caméra (page 3 - C)

Les étapes d'installation des deux types de caméras sont les mêmes. Voici un exemple d'installation de la caméra de type II.

Procédures :

1. Déplacez l'appareil à l'emplacement spécifié suivant l'une des méthodes ci-dessous.
 - a) Retirez les bouchons en caoutchouc situés dans la partie supérieure de l'appareil. Insérez et fixez les anneaux de levage dans les trous, puis déplacez l'appareil jusqu'à l'emplacement spécifié à l'aide d'un système de levage ou

Manuel d'utilisation



- d'une grue.
- b) Retirez les bouchons en caoutchouc de la base de l'appareil. Insérez et fixez les montants de support portatifs dans les trous, puis soulevez l'appareil et transportez-le à l'emplacement spécifié.
- Percez six trous sur le support conformément aux dimensions de ce dernier.
 - Retirez six vis M10 x 50 et vissez l'appareil sur le support.
 - Poussez la broche de positionnement horizontal vers le haut et tournez-la sur 90° dans le sens des aiguilles d'une montre afin de déverrouiller l'appareil. Un clic retentit lorsque l'opération est réussie.
 - Retirez les anneaux de levage et les montants de support portatifs et insérez à nouveau les bouchons en caoutchouc.
 - Appliquez du gel anticorrosion sur les vis.

Installer le boîtier d'alimentation (page 4 – D)

Avant de commencer l'installation, préparez vous-même un panneau d'installation et fixez-le à l'endroit requis.

Méthode I : installation verticale

Procédures :

- Percez quatre trous de diamètre 6,5 mm sur le panneau d'installation, conformément aux instructions fournies en D – I – ①.
- Vissez quatre vis M6 sur le panneau d'installation. Laissez un espace d'au moins 5 mm entre la tête de vis et le panneau d'installation.
- Alignez les quatre trous les plus grands sur le panneau arrière (comportant les quatre vis) du boîtier d'alimentation. Tournez le boîtier vers le bas afin de le fixer au panneau d'installation, puis vissez les vis pour solidariser le boîtier.
- Retirez les couvercles imperméables et branchez les câbles correspondants.

Méthode II : installation horizontale

Procédures :

- Percez quatre trous de diamètre 6,5 mm sur le panneau d'installation, conformément aux instructions (comme illustré en D – I – ①).
- Fixez le boîtier d'alimentation sur le panneau d'installation à l'aide des quatre vis M6.

Méthode imperméable (page 6 – E)

- Installez une gaine imperméable pour le câble réseau.
- À l'aide du ruban imperméable fourni, protégez les connecteurs de câble et les câbles inutilisés.

Sortie d'alarme (page 6 – F)

- Sortie relais
- Charge CC
- Alimentation électrique
- Relais JQC-3FG

Mesures de protection (page 7 – G – 1)

Activer et accéder à la caméra réseau (page 7 – G – 2)

©2022 Hangzhou Hikvision Digital Technology Co., Ltd. Tous droits réservés.

À propos de ce manuel

Ce manuel fournit des instructions d'utilisation et de gestion du produit. Les images, les tableaux, les figures et toutes les autres informations ci-après ne sont données qu'à titre de description et d'explication. Les informations contenues dans ce manuel sont modifiables sans préavis, en raison d'une mise à jour d'un micrologiciel ou pour d'autres raisons. Veuillez trouver la dernière version de ce manuel sur le site Internet de Hikvision (<https://www.hikvision.com/>).

Veuillez utiliser ce mode d'emploi avec les conseils et l'assistance de professionnels spécialement formés dans la prise en charge de ce produit.

Marques déposées

HIKVISION et d'autres marques de commerce et logos de Hikvision appartiennent à Hikvision dans divers pays.

Toutes les autres marques et tous les logos mentionnés appartiennent à leurs propriétaires respectifs.

CLAUSE D'EXCLUSION DE RESPONSABILITÉ

DANS LES LIMITES AUTORISÉES PAR LA LOI EN VIGUEUR, LE PRÉSENT MANUEL ET LE PRODUIT DÉCRIT, AINSI QUE SON MATÉRIEL, SES LOGICIELS ET SES MICROLOGICIELS, SONT FOURNIS « EN L'ÉTAT » ET « AVEC CES FAIBLESSES ET ERREURS ». HIKVISION NE FAIT AUCUNE GARANTIE, EXPLICITE OU IMPLICITE, Y COMPRIS, MAIS SANS S'Y LIMITER, DE QUALITÉ MARCHANDE, DE QUALITÉ SATISFAISANTE, OU D'ADÉQUATION À UN USAGE PARTICULIER. VOUS UTILISEZ LE PRODUIT À VOS PROPRES RISQUES. HIKVISION NE SERA EN AUCUN CAS TENU RESPONSABLE POUR TOUT DOMMAGE SPÉCIAL, CONSÉCUTIF, ACCESSOIRE OU INDIRECT, Y COMPRIS, ENTRE AUTRES, LES DOMMAGES RELATIFS À LA PERTE DE PROFITS D'ENTREPRISE, À L'INTERRUPTION D'ACTIVITÉS COMMERCIALES, OU LA PERTE DES DONNÉES, LA CORRUPTION DES SYSTÈMES, OU LA PERTE DES DOCUMENTS, S'ILS SONT BASÉS SUR UNE VIOLATION DE CONTRAT, UNE FAUTE (Y COMPRIS LA NÉGLIGENCE), LA RESPONSABILITÉ EN MATIÈRE DE PRODUITS, OU AUTRE, EN RAPPORT AVEC L'UTILISATION DU PRODUIT, MÊME SI HIKVISION A ÉTÉ INFORMÉ DE LA POSSIBILITÉ D'UN TEL DOMMAGE OU D'UNE TELLE PERTE.

VOUS RECONNAISSEZ QUE LA NATURE D'INTERNET EST SOURCE DE RISQUES DE SÉCURITÉ INHÉRENTS, ET HIKVISION SE DÉGAGE DE TOUTE RESPONSABILITÉ EN CAS DE FONCTIONNEMENT ANORMAL, DIVULGATION D'INFORMATIONS CONFIDENTIELLES OU AUTRES DOMMAGES DÉCOULANT D'UNE CYBERATTAQUE, D'UN PIRATAGE INFORMATIQUE, D'UNE INFECTION PAR

DES VIRUS, OU AUTRES RISQUES DE SÉCURITÉ LIÉS À INTERNET ; TOUTEFOIS, HIKVISION FOURNIRA UNE ASSISTANCE TECHNIQUE DANS LES DÉLAIS, LE CAS ÉCHÉANT.


VOUS ACCEPTEZ D'UTILISER CE PRODUIT CONFORMÉMENT À L'ENSEMBLE DES LOIS EN VIGUEUR. IL EST DE VOTRE RESPONSABILITÉ EXCLUSIVE DE VEILLER À CE QUE VOTRE UTILISATION SOIT CONFORME À LA LOI APPLICABLE. IL VOUS APPARTIENNT SURTOUT D'UTILISER CE PRODUIT D'UNE MANIÈRE QUI NE PORTE PAS ATTEINTE AUX DROITS DE TIERS, Y COMPRIS, MAIS SANS S'Y LIMITER, LES DROITS DE PUBLICITÉ, LES DROITS DE PROPRIÉTÉ INTELLECTUELLE, OU LA PROTECTION DES DONNÉES ET D'AUTRES DROITS À LA VIE PRIVÉE. VOUS NE DEVEZ PAS UTILISER CE PRODUIT POUR TOUTE UTILISATION FINALE INTERDITE, NOTAMMENT LA MISE AU POINT OU LA PRODUCTION D'ARMES DE DESTRUCTION MASSIVE, LA MISE AU POINT OU LA FABRICATION D'ARMES CHIMIQUES OU BIOLOGIQUES, LES ACTIVITÉS DANS LE CONTEXTE LIÉ AUX EXPLOSIFS NUCLÉAIRES OU AU CYCLE DU COMBUSTIBLE NUCLÉAIRE DANGEREUX, OU SOUTENANT LES VIOLATIONS DES DROITS DE L'HOMME.


EN CAS DE CONFLIT ENTRE LES DISPOSITIONS PRÉCÉDENTES ET LES LOIS EN VIGUEUR, CES DERNIÈRES PRÉVALENT.


Réglementation

Ces clauses ne s'appliquent qu'aux produits portant la marque ou l'information correspondante.

Déclaration de conformité UE

 Le présent produit et, le cas échéant, les accessoires fournis, portent la mention « CE » et sont par conséquent conformes aux normes européennes harmonisées, répertoriées dans les directives CEM 2014/30/UE et RoHS 2011/65/UE.

 2012/19/UE (directive DEEE) : Dans l'Union européenne, les produits portant ce pictogramme ne doivent pas être déposés dans une décharge municipale où le tri des déchets n'est pas pratiqué. Pour un recyclage adéquat, remettez ce produit à votre revendeur lors de l'achat d'un nouvel équipement équivalent, ou déposez-le dans un lieu de collecte prévu à cet effet. Pour plus de précisions, rendez-vous sur : www.recyclethis.info

 2006/66/CE et son amendement 2013/56/UE (directive sur les batteries) : Ce produit renferme une batterie qui ne doit pas être déposée dans une décharge municipale où le tri des déchets n'est pas pratiqué, dans l'Union européenne. Pour plus de précisions sur la batterie, reportez-vous à sa documentation. La batterie porte le pictogramme ci-contre, qui peut inclure la mention Cd (cadmium), Pb (plomb) ou Hg (mercure). Pour la recycler correctement, renvoyez la batterie à votre revendeur ou déposez-la dans un point de collecte prévu à cet effet. Pour de plus amples informations, consultez : www.recyclethis.info.

Précautions d'emploi

L'objectif de ces instructions est de garantir que l'utilisateur soit en mesure d'utiliser correctement le produit sans danger ou dommage aux biens.

Lois et réglementations

L'appareil doit être utilisé conformément à la législation locale ainsi qu'aux réglementations en matière de sécurité électrique et de prévention des incendies.

Transport

- Gardez l'appareil dans son emballage d'origine ou dans un emballage similaire lors de son transport.
- Veuillez conserver l'emballage de l'appareil pour toute utilisation ultérieure. En cas de panne, vous devrez renvoyer l'appareil à l'usine dans son emballage d'origine.
- Le transport de l'appareil sans son emballage d'origine peut l'endommager, et l'entreprise se dégage de toute responsabilité dans ce cas.
- Ne pas faire tomber le produit ou le soumettre à un choc physique. Gardez l'appareil à l'écart des interférences magnétiques.

Alimentation électrique

- Veuillez acheter vous-même le chargeur. La tension d'entrée doit être conforme à celle d'une source d'alimentation limitée (48 V CC) selon la norme CEI62368. Veuillez vous référer aux caractéristiques techniques pour des informations détaillées.
- Vérifiez que la prise est correctement branchée à la prise électrique.
- La prise de courant doit être installée près de l'équipement et doit être facilement accessible.
- Pour éviter tout risque de surchauffe ou d'incendie dû à une surcharge, ne reliez PAS plusieurs appareils à un seul adaptateur d'alimentation.
- Ne touchez PAS les contacts métalliques nus des entrées après que le disjoncteur a été coupé. De l'électricité peut encore circuler.
- Le symbole « + » identifie la (les) borne(s) positive(s) de l'équipement qui est utilisé avec, ou qui génère du courant continu. Le symbole « - » identifie la (les) borne(s) négative(s) de l'équipement qui est utilisé avec, ou qui génère du courant continu.
- Assurez-vous d'effectuer un câblage approprié des bornes pour un branchement à une alimentation secteur.

Pile

- Il y a un risque d'explosion lorsque la pile est remplacée par une pile de type incorrect. Éliminez les batteries usées conformément aux instructions.
- La batterie intégrée ne peut pas être démontée. Veuillez contacter le fabricant pour réparation si nécessaire.
- En cas de stockage à long terme de la batterie, assurez-vous qu'elle est complètement chargée tous les six mois afin d'en conserver la qualité. Dans le cas contraire, elle pourrait se détériorer.
- Cet équipement n'est pas adapté à un usage dans les endroits où des enfants sont susceptibles d'être présents.
- Le remplacement de la pile par une pile du mauvais type peut conduire à l'annulation d'une protection (par exemple, dans le cas de certains types de batteries au lithium).
- Ne jetez pas une batterie au feu ou dans un four chaud, ni ne broyez mécaniquement ou découpez une batterie, car cela pourrait engendrer une explosion.
- Ne laissez pas une batterie dans un environnement ambiant extrêmement chaud, car vous encourez un risque d'explosion ou une fuite de liquide ou de gaz inflammable.
- N'exposez pas une batterie à des pressions atmosphériques extrêmement basses, car vous encourez un risque d'explosion ou une fuite de liquide ou de gaz inflammable.

Installation

- N'installez jamais l'équipement sur un support instable. L'équipement pourrait tomber, entraînant des blessures graves voire la mort.
- Cet équipement doit être utilisé uniquement avec les supports correspondants. Toute utilisation avec d'autres supports (chariots, stations ou transporteurs) peut entraîner une instabilité pouvant causer des blessures.

Sécurité du système

- Vous reconnaissez que la nature d'Internet est source de risques de sécurité inhérents, et notre société se dégage de toute responsabilité en cas de fonctionnement anormal, divulgation d'informations confidentielles ou autres dommages découlant d'une cyberattaque ou d'un piratage informatique ; toutefois, notre société fournira une assistance technique dans les délais, le cas échéant.
- Veuillez renforcer la protection des informations personnelles et la sécurité des données, car l'appareil peut être exposé à des problèmes de sécurité réseau lorsqu'il est connecté à Internet. Veuillez nous contacter si l'appareil peut subir des risques en matière de sécurité réseau.
- Vous êtes responsable de la configuration de tous les mots de passe et d'autres paramètres de sécurité concernant l'appareil. Gardez votre nom d'utilisateur et votre mot de passe en sécurité.

Maintenance

- Si le produit ne fonctionne pas correctement, contactez votre revendeur ou le centre de service le plus proche. Nous n'assurons aucune responsabilité concernant les problèmes causés par une réparation ou une opération de maintenance non autorisée.
- Certains composants de l'appareil (p. ex., condensateur électrolytique) doivent être remplacés régulièrement. Leur durée de vie moyenne est variable, c'est pourquoi des contrôles périodiques sont recommandés. Veuillez contacter votre distributeur pour plus d'informations.
- Essuyez délicatement l'appareil à l'aide d'un chiffon propre imbibé d'une petite quantité d'éthanol, si nécessaire.
- Si l'appareil n'est pas utilisé conformément aux indications du fabricant, le dispositif de protection fourni par l'appareil peut être compromis.
- Pour réduire le risque d'incendie, remplacez-le uniquement par un fusible de même type et de même calibre.
- Le port série de l'équipement est utilisé uniquement à des fins de débogage.

- Débranchez la source d'alimentation pendant l'opération d'entretien.

Environnement d'exploitation

- Assurez-vous que l'environnement d'exploitation répond aux exigences de l'appareil. La température de fonctionnement doit être comprise entre -40 °C et 70 °C (-40 °–158 °F), et l'humidité de fonctionnement doit être inférieure ou égale à 95 %, sans condensation.
- N'exposez PAS l'appareil à de puissants rayonnements électromagnétiques ou à des environnements poussiéreux.
- N'orientez PAS l'objectif vers le soleil ou toute autre source de lumière vive.
- L'équipement ne doit pas être exposé aux gouttes ou aux éclaboussures et aucun objet rempli de liquide, comme un vase, ne doit être placé sur l'équipement.
- Aucune source de flamme nue, telle que des bougies allumées, ne doit être placée sur l'équipement.
- Prévoyez un suppresseur de surtension à l'orifice d'entrée de l'équipement dans des conditions d'installation particulières p. ex. au sommet d'une montagne, d'une tour métallique et en forêt.
- La manipulation des pièces portant le symbole ⚠ risque de brûler les doigts. Attendez une demi-heure après l'arrêt de l'appareil avant de manipuler les pièces.

Urgence

- Si de la fumée, des odeurs ou du bruit s'échappent de l'appareil, mettez immédiatement l'appareil hors tension et débranchez le câble d'alimentation, puis contactez un centre de réparation.

Adresse de fabrication

No.555 Qianmo Road, Binjiang District, Hangzhou 310052, Chine
Hangzhou Hikvision Digital Technology Co., Ltd.

AVIS DE CONFORMITÉ : Il est possible que les produits de la série thermique soient soumis à des contrôles d'exportation dans divers pays ou diverses régions, ce qui inclut, sans s'y limiter, les États-Unis, l'Union européenne, le Royaume-Uni ou d'autres pays membres de l'Arrangement de Wassenaar. Veuillez consulter votre expert professionnel en questions juridiques ou en conformité ou les autorités de votre gouvernement local pour toute exigence de permis d'exportation si vous prévoyez de transférer, d'exporter ou de réexporter des produits de la série thermique entre différents pays.

Deutsch



Das Erscheinungsbild des Produkts dient nur als Referenz und kann vom tatsächlichen Produkt abweichen.

Erscheinungsbild (Seite 2 – A)

Es gibt zwei Arten von Wärmebildkugel-Positionierungssystemen. Orientieren Sie sich bitte an Ihrem konkreten Gerät.

Kabelbeschreibung (Seite 2 – B)

1. RS-485
2. Netzkabel: Verbinden Sie die Netzwerkschnittstelle mit einem Netzkabel.
3. BNC: Videoanschluss.
4. Alarmkabel: Verbinden Sie den Anschlusskontakt ALARM-IN mit dem MASSE-Anschluss sowie dem Anschlusskontakt ALARM-OUT und ALARM-COM.
5. Stromversorgungs-Eingangskabel: Unterstützt

48-V-Gleichstromversorgung.

Die Kamera installieren (Seite 3 – C)

Die Vorgehensweise zur Installation ist für beide Kameratypen identisch. Hier wird die Installation am Beispiel einer Kamera vom Typ II dargestellt.

Schritte:

1. Bringen Sie das Gerät auf eine der folgenden Arten an den gewünschten Ort.
 - a) Ziehen Sie die Gummistopfen an der Oberseite des Geräts heraus, setzen Sie die Hebeösen in die Öffnungen ein und fixieren Sie sie. Bringen Sie das Gerät mit einem Hebel oder einem Kran an den gewünschten Ort.
 - b) Ziehen Sie die Gummistopfen am Gerätesockel heraus, setzen Sie die Tragegängen in die Öffnungen ein und fixieren Sie sie. Heben Sie dann das Gerät an und bringen Sie es an den gewünschten Ort.
2. Bohren Sie entsprechend den Abmessungen der Halterung sechs Löcher in die Halterung.

3. Nehmen Sie sechs M10 x 50-Schrauben und schrauben Sie damit das Gerät an die Halterung.
4. Ziehen Sie den Stift zur horizontalen Positionierung nach oben und drehen Sie ihn im Uhrzeigersinn um 90°, um das Gerät zu entriegeln. Bei erfolgreichem Vorgehen hören Sie ein Klicken.
5. Entfernen Sie die Hebeösen bzw. die Tragegestangen und setzen Sie die Gummistopfen wieder ein.
6. Tragen Sie das Korrosionsschutzgel auf die Schrauben auf.

Die Spannungsversorgungsdose installieren (Seite 4 – D)

Bereiten Sie vor der Installation eine Montageplatte vor und bringen Sie sie am gewünschten Ort an.

Methode I: Vertikale Montage

Schritte:

1. Bohren Sie vier \varnothing 6,5-mm-Löcher in die Montageplatte (siehe D – I – ①).
2. Schrauben Sie vier M6-Schrauben in die Montageplatte ein. Lassen Sie mindestens 5 mm Abstand zwischen dem Schraubenkopf und der Montageplatte.
3. Richten Sie die vier größeren Löcher auf der Rückseite der Spannungsversorgungsdose mit den vier Schrauben aus, schieben Sie die Spannungsversorgungsdose nach unten, um sie an die Montageplatte zu hängen, und ziehen Sie die Schrauben an, um die Spannungsversorgungsdose zu befestigen.
4. Entfernen Sie die wasserdichten Abdeckungen und schließen Sie die entsprechenden Kabel an.

Methode II: Horizontale Montage

Schritte:

1. Bohren Sie vier \varnothing 6,5-mm-Löcher in die Montageplatte (siehe D – I – ①).
2. Befestigen Sie die Spannungsversorgungsdose mit vier mitgelieferten M6-Schrauben an der Montageplatte.

Wasserdichte Installation (Seite 6 – E)

1. Installieren Sie eine wasserdichte Manschette für das Netzkabel.
2. Verwenden Sie das mitgelieferte wasserdichte Kleband, um Kabelverbinder und nicht verwendete Kabel zu schützen.

Alarmausgang (Seite 6 – F)

- ① Relaisausgang
- ② Gleichstromquelle
- ③ Stromversorgung
- ④ JQC-3FG-Relais

Sicherheitsvorkehrungen (Seite 7 – G – 1)

Aktivieren und Zugriff auf die Netzwerk-Kamera (Seite 7 – G – 2)

Bedienungsanleitung



Hinweise zu dieser Bedienungsanleitung

Die Bedienungsanleitung enthält Anleitungen zur Verwendung und Verwaltung des Produkts. Bilder, Diagramme, Abbildungen und alle sonstigen Informationen dienen nur der Beschreibung und Erklärung. Die Änderung der in der Bedienungsanleitung enthaltenen Informationen ist aufgrund von Firmware-Aktualisierungen oder aus anderen Gründen vorbehalten. Die neueste Version dieser Bedienungsanleitung finden Sie auf der Hikvision-Website (<https://www.hikvision.com/>).

Bitte verwenden Sie diese Bedienungsanleitung unter Anleitung und Unterstützung von Fachleuten, die für den Support des Produkts geschult sind.

Markenzeichen

HIKVISION und andere Marken sowie Logos von Hikvision sind das Eigentum von Hikvision in verschiedenen Ländern.

Anderer hier erwähnte Marken und Logos sind Eigentum ihrer jeweiligen Inhaber.

HAFTUNGSAUSSCHLUSS

DIESE BEDIENUNGSANLEITUNG UND DAS BESCHRIEBENE PRODUKT MIT SEINER HARDWARE, SOFTWARE UND FIRMWARE WERDEN, SOWEIT GESETZLICH ZULÄSSIG, IN DER „VORLIEGENDEN FORM“ UND MIT „ALLEN FEHLERN UND IRRTÜMERN“ BEREITGESTELLT. HIKVISION ÜBERNIMMT KEINE AUSDRÜCKLICHEN ODER STILLSCHWEIGENDEN GARANTIE, EINSCHLIEßLICH, ABER NICHT BESCHRÄNKTE AUF DIE MARKTGÄNGIGKEIT, ZUFRIEDENSTELLENDE QUALITÄT ODER EIGNUNG FÜR EINEN BESTIMMTEN ZWECK. DIE NUTZUNG DES PRODUKTS DURCH SIE ERFOLGT AUF IHRE EIGENE GEFAHR. IN KEINEM FALL IST HIKVISION INHNER GEGENÜBER HAFTBAR FÜR BESONDERE, ZUFÄLLIGE, DIREKTE ODER INDIREKTE SCHÄDEN, WIE ZUM BEISPIEL ENTGANGENE GESCHÄFTSGEWINNE, GESCHÄFTSUNTERBRECHUNG, DATENVERLUST, SYSTEMSCHÄDIGUNG, VERLUST VON DOKUMENTATIONEN, SEI ES AUFGRUND VON VERTRAGSBRUCH, UNERLAUBTER HANDLUNG (EINSCHLIEßLICH FAHRLÄSSIGKEIT), PRODUKTHAFTUNG ODER ANDERWEITIG, IN VERBINDUNG MIT DER VERWENDUNG DIESES PRODUKTS, SELBST WENN HIKVISION ÜBER DIE MÖGLICHKEIT DERARTIGER SCHÄDEN ODER VERLUSTE INFORMIERT WAR. SIE ERKENNEN AN, DASS DIE NATUR DES INTERNETS DAMIT VERBUNDENE SICHERHEITSRISIKEN BEINHALTET. HIKVISION ÜBERNIMMT KEINE VERANTWORTUNG FÜR ANORMALEN BETRIEB, DATENVERLUST ODER ANDERE SCHÄDEN, DIE SICH AUS CYBERANGRIFFEN, HACKERANGRIFFEN, VIRUSINFESTION ODER ANDEREN SICHERHEITSRISIKEN IM INTERNET ERGEBEN. HIKVISION WIRD JEDOCH BEI BEDARF ZEITNAH TECHNISCHEM SUPPORT LEISTEN. SIE STIMMEN ZU, DIESES PRODUKT IN ÜBEREINSTIMMUNG MIT ALLEN GELTENDEN GESETZEN ZU VERWENDEN, UND SIE SIND ALLEIN DAFÜR VERANTWORTLICH, DASS IHRE VERWENDUNG GEGEN KEINE GELTENDEN GESETZE VERSTÖßT. INSBESONDERE SIND SIE DAFÜR VERANTWORTLICH, DIESES PRODUKT SO ZU VERWENDEN, DASS DIE RECHTE DRITTER NICHT VERLETZT WERDEN, WIE ZUM BEISPIEL

VERÖFFENTLICHUNGSRECHTE, DIE RECHTE AN GEISTIGEM EIGENTUM ODER DEN DATENSCHUTZ UND ANDERE PERSÖNLICHKEITSRECHTE. SIE DÜRFEN DIESES PRODUKT NICHT FÜR VERBOTENE ENDANWENDUNGEN VERWENDEN, EINSCHLIESSLICH DER ENTWICKLUNG ODER HERSTELLUNG VON MASSENVERNICHTUNGSWAFFEN, DER ENTWICKLUNG ODER HERSTELLUNG CHEMISCHER ODER BIOLOGISCHER WAFFEN, JEDLICHER AKTIVITÄTEN IM ZUSAMMENHANG MIT EINEM NUKLEAREN SPRENGKÖRPER ODER UNSICHEREN NUKLEAREN BRENNSTOFFKREISLAUF BZW. ZUR UNTERSTÜTZUNG VON MENSCHENRECHTSVERLETZUNGEN. IM FALL VON WIDERSPRÜCHEN ZWISCHEN DIESER BEDIENUNGSANLEITUNG UND GELTENDEM RECHT IST LETZTERES MASSGEBLICH.

Behördliche Informationen

Diese Bestimmungen gelten nur für Produkte, die das entsprechende Zeichen oder die entsprechenden Informationen tragen.

EU-Konformitätserklärung



Dieses Produkt und – gegebenenfalls – das mitgelieferte Zubehör sind mit dem „CE“-Zeichen gekennzeichnet und erfüllen daher die gültigen harmonisierten Europäischen Normen, die in der EMV-Richtlinie 2014/30/EG und der RoHS-Richtlinie 2011/65/EU aufgelistet sind.



2012/19/EU (Elektroaltgeräte-Richtlinie): Produkte, die mit diesem Symbol gekennzeichnet sind, dürfen innerhalb der Europäischen Union nicht mit dem Hausmüll entsorgt werden. Für korrektes Recycling geben Sie dieses Produkt an Ihren örtlichen Fachhändler zurück oder entsorgen Sie es an einer der Sammelstellen. Für weitere Informationen siehe: www.recyclethis.info



2006/66/EG und deren Änderung 2013/56/EU (Batterie-Richtlinie): Dieses Produkt enthält eine Batterie, die innerhalb der Europäischen Union nicht mit dem Hausmüll entsorgt werden darf. Siehe Produktdokumentation für spezifische Hinweise zu Batterien. Die Batterie ist mit diesem Symbol gekennzeichnet, das zusätzlich die Buchstaben Cd für Cadmium, Pb für Blei oder Hg für Quecksilber enthalten kann. Für korrektes Recycling geben Sie die Batterie an Ihren örtlichen Fachhändler zurück oder entsorgen Sie sie an einer der Sammelstellen. Weitere Informationen finden Sie unter: www.recyclethis.info.

Sicherheitshinweise

Diese Anleitungen sollen gewährleisten, dass Sie das Produkt korrekt verwenden, um Gefahren oder Sachschäden zu vermeiden.

Gesetze und Vorschriften

Das Gerät muss in Übereinstimmung mit lokalen Gesetzen, Vorschriften für elektrischen Sicherheit und Brandschutzvorschriften verwendet werden.

Transportwesen

- Bewahren Sie das Gerät beim Transport in der ursprünglichen oder einer vergleichbaren Verpackung auf.
- Bewahren Sie das gesamte Verpackungsmaterial nach dem Auspacken für zukünftigen Gebrauch auf. Im Falle eines Fehlers müssen Sie das Gerät in der Originalverpackung an das Werk zurücksenden.

- Beim Transport ohne Originalverpackung kann das Gerät beschädigt werden und wir übernehmen keine Verantwortung.
- Lassen Sie das Produkt nicht fallen und vermeiden Sie heftige Stöße. Halten Sie das Gerät von magnetischen Störungen fern.

Spannungsversorgung

- Erwerben Sie das Ladegerät selbst. Die Eingangsspannung muss einer Stromquelle mit begrenzter Leistung (48 V DC) gemäß der Norm IEC62368 entsprechen. Siehe technische Daten für detaillierte Informationen.
- Stellen Sie sicher, dass der Stecker richtig in der Steckdose steckt.
- Die Steckdose sollte sich in der Nähe des Geräts befinden und muss einfach zugänglich sein.
- Verbinden Sie NICHT mehrere Geräte mit einem Netzteil, da es andernfalls durch Überlastung zu einer Überhitzung oder einem Brand kommen kann.
- Berühren Sie NICHT die blanken Metallkontakte der Eingänge, nachdem der Schutzschalter ausgeschaltet wurde. Sie stehen noch unter Strom.

- + kennzeichnet den/die Pluspol(e) von Geräten, die mit Gleichstrom betrieben werden oder Gleichstrom erzeugen. – kennzeichnet den/die Minuspol(e) von Geräten, die mit Gleichstrom betrieben werden oder Gleichstrom erzeugen.
- Achten Sie auf die korrekte Verkabelung der Klemmen für den Anschluss an ein Wechselstromnetz.

Batterie

- Bei Austausch der Batterie durch einen falschen Typ besteht Explosionsgefahr. Entsorgen Sie verbrauchte Batterien entsprechend der Anleitung.
- Der integrierte Akku darf nicht demontiert werden. Wenden Sie sich gegebenenfalls zur Reparatur an den Hersteller.
- Achten Sie bei langfristiger Lagerung des Akkus darauf, dass er alle sechs Monate vollständig geladen wird, um seine Lebensdauer zu gewährleisten. Andernfalls kann es zu Schäden kommen.
- Das Gerät ist nicht für den Einsatz an Orten geeignet, an denen sich wahrscheinlich Kinder aufhalten.
- Unsachgemäßer Austausch der Batterien durch einen falschen Typ kann eine Schutzvorrichtung umgehen (z. B. bei einigen Lithium-Batterietypen).
- Batterien nicht durch Verbrennen, in einem heißen Ofen oder Zerkleinern oder Zerschneiden entsorgen. Das kann zu einer Explosion führen.
- Bewahren Sie Batterien nicht in einer Umgebung mit extrem hoher Temperatur auf. Das kann zu einer Explosion oder zum Auslaufen von entflammbarer Flüssigkeit oder Gas führen.
- Setzen Sie Batterien keinem extrem niedrigen Luftdruck aus. Das kann zu einer Explosion oder zum Auslaufen von entflammbarer Flüssigkeit oder Gas führen.

Installation

- Stellen Sie das Gerät niemals an einem instabilen Ort auf. Es könnte umfallen und schwere oder sogar tödliche Verletzungen verursachen.
- Dieses Gerät darf nur mit den entsprechenden Halterungen verwendet werden. Die Verwendung anderer Halterungen (Wagen, Ständer oder Träger) kann zu Instabilität führen und Verletzungen verursachen.

Systemicherheit

- Sie erkennen an, dass die Natur des Internets damit verbundene Sicherheitsrisiken mit sich bringt und unser Unternehmen übernimmt keine Verantwortung für anormale Betriebsabläufe, Datenschutzverletzungen oder andere Schäden,

die sich durch Cyber- oder Hackerangriffe ergeben. Bei Bedarf wird unser Unternehmen jedoch zeitnahe technische Unterstützung leisten.

- Bitte sorgen Sie für den Schutz der persönlichen Daten und die Datensicherheit, da das Gerät Netzwerksicherheitsproblemen ausgesetzt werden kann, wenn es mit dem Internet verbunden ist. Bitte setzen Sie sich mit uns in Verbindung, wenn das Gerät Netzwerksicherheitsrisiken aufweist.
- Bitte nehmen Sie zur Kenntnis, dass Sie die Verantwortung dafür tragen, alle Passwörter und andere Sicherheitseinstellungen für das Gerät zu konfigurieren und Ihren Benutzernamen und Ihr Passwort aufzubewahren.

Wartung

- Falls das Produkt nicht einwandfrei funktionieren sollte, wenden Sie sich an Ihren Händler oder den nächstgelegenen Kundendienst. Wir übernehmen keine Haftung für Probleme, die durch nicht autorisierten Reparatur- oder Instandhaltungsarbeiten von nicht autorisierten Dritten verursacht werden.

• Einige Gerätekomponenten (z. B. Elektrolytkondensator) müssen regelmäßig ausgetauscht werden. Die durchschnittliche Lebensdauer variiert, weshalb eine regelmäßige Prüfung empfohlen wird. Einzelheiten erfahren Sie von Ihrem Händler.

- Wischen Sie das Gerät bei Bedarf sanft mit einem sauberen Tuch und einer geringen Menge Ethanol ab.

• Wenn das Gerät nicht vom Hersteller vorgegebenen Sinne genutzt wird, kann der durch das Gerät bereitgestellte Schutz beeinträchtigt werden.

- Um die Feuergefahr zu verringern, ersetzen Sie Sicherungen nur durch Sicherungen des gleichen Typs und der gleichen Leistung.

• Die serielle Schnittstelle des Geräts wird nur zur Fehlersuche verwendet.

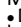
- Unterbrechen Sie die Stromversorgung während der Wartung.

Einsatzumgebung

- Achten Sie darauf, dass die Betriebsumgebung den Anforderungen des Geräts entspricht. Die Betriebstemperatur des Geräts beträgt -40 °C bis 70 °C und die Betriebsluftfeuchtigkeit darf höchstens 95 % betragen (keine Kondensation).

- Setzen Sie das Gerät KEINER hohen elektromagnetischen Strahlung oder staubigen Umgebungen aus.

- Richten Sie das Objektiv NICHT auf die Sonne oder eine andere helle Lichtquelle.
- Das Gerät vor tropfenden oder spritzenden Flüssigkeiten schützen. Auf dem Gerät dürfen keine mit Flüssigkeit gefüllten Objekte, wie z. B. Vasen, abgestellt werden.
- Stellen Sie keine offenen Flammen (wie brennende Kerzen) auf dem Gerät ab.
- Sorgen Sie für einen Überspannungsschutz an der Eingängen der Anlage bei besonderen Umgebungsbedingungen wie Berggipfel, Metallurm und Wald.

- Dieses Symbol  weist darauf hin, dass Sie sich beim Umgang mit den Teilen die Finger verbrennen können. Warten Sie nach dem Ausschalten eine halbe Stunde, bevor Sie die Teile anfassen.

Notruf

- Sollten sich Rauch, Gerüche oder Geräusche in dem Gerät entwickeln, so schalten Sie es unverzüglich aus und ziehen Sie den Netzstecker; wenden Sie sich dann an den Kundendienst.

Anschrift des Herstellers

No. 555 Qianmo Road, Binjiang District, Hangzhou 310052, China
Hangzhou Hikvision Digital Technology Co., Ltd.

RECHTLICHER HINWEIS: Die Produkte der Wärmebild-Serie unterliegen unter Umständen in verschiedenen Ländern oder Regionen Exportkontrollen, wie zum Beispiel in den Vereinigten Staaten, der Europäischen Union, dem Vereinigten Königreich und/oder anderen Mitgliedsländern des Wassenaar-Abkommens. Bitte wenden Sie sich an Ihren professionellen Rechts- oder Compliance-Experten oder an die zuständigen Behörden, wenn Sie beabsichtigen, Produkte der Wärmebild-Serie zwischen verschiedenen Ländern zu transferieren, zu exportieren oder zu reexportieren, um Informationen über eine eventuell erforderliche Ausfuhrgenehmigung zu erhalten.

Español



La apariencia del producto es solo una referencia y puede diferir de la apariencia real del producto.

Apariencia (página 2 – A)

Existen dos tipos de sistemas de posicionamiento de esfera térmica. Tome el dispositivo real como referencia.

Descripción del cable (página 2 – B)

1. RS-485
2. Cable de red: conecte un cable de red a la interfaz de red.
3. BNC: conecte la interfaz de video.
4. Cable de alarma: conecte el terminal «ALARM-IN» (entrada de alarma) al terminal «GND» (tierra) y, seguidamente, conecte el terminal «ALARM-OUT» (salida de alarma) al terminal «ALARM-COM».
5. Cable de entrada de alimentación: compatible con fuentes de alimentación de 48 V CC.

Instalación de la cámara (página 3 – C)

Los pasos de instalación de ambos tipos de cámara son los mismos. Aquí tiene un ejemplo de instalación de la cámara de tipo II.

Pasos:

1. Coloque el dispositivo en la ubicación

especificada de alguno de los siguientes modos.

- a) Retire los tapones de goma de la parte superior del dispositivo, inserte y fije los anillos de suspensión en los orificios y coloque el dispositivo en la ubicación especificada con una palanca o plataforma.
 - b) Retire los tapones de goma de la base del dispositivo, inserte y fije las varillas de transporte manual en los orificios y luego levante y coloque el dispositivo en la ubicación especificada.
2. Taladre seis orificios en el soporte según las dimensiones del soporte.
 3. Saque seis tornillos M10 x 50 y fije el dispositivo en el soporte con los tornillos.
 4. Levante el perno de posicionamiento horizontal y gírelo 90° en sentido horario para desbloquear el dispositivo. Oirá un clic si la operación se realiza correctamente.
 5. Retire los anillos de suspensión y las varillas de transporte manual y vuelva a insertar los tapones de goma.
 6. Aplique el gel anticorrosivo sobre los tornillos.

Instalación del cuadro de alimentación (página 4 – D)

Antes de iniciar la instalación, prepare un panel de instalación por su cuenta y fíjelo en el lugar

necesario.

Método I: instalación vertical

Pasos:

1. Taladre cuatro orificios de 6,5 mm ϕ sobre el panel de instalación según las instrucciones en D-1-①.
2. Atornille cuatro tornillos M6 en el panel de instalación. Deje al menos 5 mm de espacio entre la cabeza del tornillo y el panel de instalación.
3. Alinee los cuatro orificios más grandes en el panel trasero del cuadro de alimentación con los cuatro tornillos, desplace hacia abajo el cuadro de alimentación para colgarlo sobre el panel de instalación y apriete los tornillos para fijarlo.
4. Retire las tapas impermeables y conecte los cables correspondientes.

Método II: instalación horizontal

Pasos:

1. Taladre cuatro orificios de 6,5 mm ϕ en el panel de instalación según las instrucciones (como se muestra en D-1-①).
2. Fije el cuadro de alimentación sobre el panel de instalación con cuatro tornillos M6.

Método de impermeabilidad (página 6 – E)

1. Instale la chaqueta impermeable del cable de red.
2. Utilice la cinta impermeable provista para proteger los conectores del cable y los cables no utilizados.

Salida de alarma (página 6 – F)

- ①: salida del relé
- ②: carga de CC
- ③: fuente de alimentación
- ④: relé JQC-3FG

Medidas de protección (página 7 – G – 1)

Activación de y acceso a la cámara de red (página 7 – G – 2)

Manual de usuario



©2022 Hangzhou Hikvision Digital Technology Co., Ltd. Todos los derechos reservados.

Sobre este manual

Este manual incluye las instrucciones de utilización y gestión del producto. Las figuras, gráficos, imágenes y cualquier otra información que encontrará en lo sucesivo tienen únicamente fines descriptivos y aclaratorios. La información incluida en el manual está sujeta a cambios, sin aviso previo, debido a las actualizaciones de software u otros motivos. Visite el sitio web de Hikvision —<https://www.hikvision.com/>— para acceder a la última versión de este manual.

Utilice este manual con la guía y asistencia de profesionales capacitados en el soporte del producto.

Marcas registradas

HIKVISION[®] y otras marcas comerciales y logotipos de Hikvision son propiedad de Hikvision en diferentes jurisdicciones.

Las demás marcas comerciales y logotipos mencionados son propiedad de sus respectivos dueños.

DESCARGO DE RESPONSABILIDAD

EN LA MEDIDA MÁXIMA PERMITIDA POR LAS LEYES APLICABLES, ESTE MANUAL Y EL PRODUCTO DESCRITO —INCLUIDOS SU HARDWARE, SOFTWARE Y FIRMWARE— SE SUMINISTRAN «TAL CUAL» Y «CON TODOS SU FALLOS Y ERRORES». HIKVISION NO OFRECE GARANTÍAS, EXPLÍCITAS O IMPLÍCITAS, INCLUIDAS, A MODO ENUNCIATIVO, COMERCIALIZACIÓN, CALIDAD SATISFATORIA O IDONEIDAD PARA UN PROPOSITO EN PARTICULAR. EL USO QUE HAGA DEL PRODUCTO CORRE BAJO SU UNICO RIESGO. EN NINGUN CASO, HIKVISION PODRÁ CONSIDERARSE RESPONSABLE ANTE UN ESTED DE NINGUN DAÑO ESPECIAL, CONSECUENTE, INCIDENTAL O INDIRECTO, INCLUYENDO, ENTRE OTROS, DAÑOS POR PÉRDIDAS DE BENEFICIOS COMERCIALES, INTERRUPCIÓN DE LA ACTIVIDAD COMERCIAL, PÉRDIDA DE DATOS, CORRUPCIÓN DE LOS SISTEMAS O PÉRDIDA DE DOCUMENTACIÓN, YA SEA POR INCUMPLIMIENTO DEL CONTRATO, AGRAVIO (INCLUYENDO NEGLIGENCIA), RESPONSABILIDAD DEL PRODUCTO O EN RELACION CON EL USO DEL PRODUCTO, INCLUSO CUANDO HIKVISION HAYA RECIBIDO UNA NOTIFICACIÓN DE LA POSIBILIDAD DE DICHO DAÑOS O PÉRDIDAS.

USTED RECONOCE QUE LA NATURALEZA DE INTERNET IMPLICA RIESGOS DE SEGURIDAD INHERENTES Y HIKVISION NO TENDRÁ NINGUNA RESPONSABILIDAD POR EL FUNCIONAMIENTO ANORMAL, FILTRACIONES DE PRIVACIDAD U OTROS DAÑOS RESULTANTES DE ATAQUES CIBERNÉTICOS, ATAQUES DE HACKERS, INFECCIONES DE VIRUS U OTROS RIESGOS DE SEGURIDAD DE INTERNET; SIN EMBARGO, HIKVISION PROPORCIONARÁ APOYO TÉCNICO OPORTUNO DE SER NECESARIO.



USTED ACEPTA USAR ESTE PRODUCTO DE CONFORMIDAD CON TODAS LAS LEYES APLICABLES Y SOLO USTED ES EL ÚNICO RESPONSABLE DE ASEGURAR QUE EL USO CUMPLA CON DICHAS LEYES. EN ESPECIAL, USTED ES RESPONSABLE DE USAR ESTE PRODUCTO DE FORMA QUE NO INFRINJA LOS DERECHOS DE TERCEROS, INCLUYENDO, DE MANERA ENUNCIATIVA MAS NO LIMITATIVA, DERECHOS DE PUBLICIDAD, DERECHOS DE PROPIEDAD INTELECTUAL, DERECHOS RELATIVOS A LA PROTECCIÓN DE DATOS Y OTROS DERECHOS RELATIVOS A LA PRIVACIDAD. NO UTILIZARÁ ESTE PRODUCTO PARA NINGUN USO FINAL PROHIBIDO, INCLUYENDO EL DESARROLLO O LA PRODUCCIÓN DE ARMAS DE DESTRUCCIÓN MASIVA, EL DESARROLLO O PRODUCCIÓN DE ARMAS QUÍMICAS O BIOLÓGICAS, NINGUNA ACTIVIDAD EN EL CONTEXTO RELACIONADO CON ALGÚN EXPLOSIVO NUCLEAR O EL CICLO DE COMBUSTIBLE NUCLEAR INSEGURO O EN APOYO DE ABUSOS DE LOS DERECHOS HUMANOS. EN CASO DE HABER CONFLICTO ENTRE ESTE MANUAL Y LA LEGISLACIÓN VIGENTE, ESTA ÚLTIMA PREVALECE.


Información normativa

Estas cláusulas solo se aplican a los productos que lleven la marca o la información correspondiente.

Declaración de conformidad de la UE

CE Este producto y, cuando corresponda, también los accesorios incluidos tienen la marca «CE» y, por tanto, cumplen con las normas europeas armonizadas recogidas en la Directiva 2014/30/UE (también conocida como Directiva de compatibilidad electromagnética) y en la Directiva 2011/65/UE sobre restricciones a la utilización de determinadas sustancias peligrosas en aparatos eléctricos y electrónicos (también conocida como RoHS).

 2012/19/UE (directiva RAEE, residuos de aparatos eléctricos y electromagnéticos): En la Unión Europea, los productos  marcados con este símbolo no pueden ser desechados en el sistema de basura municipal sin recogida selectiva. Para un reciclaje adecuado, entregue este producto en el lugar de compra del equipo nuevo equivalente o deshágase de él en el punto de recogida designado a tal efecto. Para más información vea la página web: www.recyclethis.info

 2006/66/CE y su enmienda 2013/56/UE (directiva sobre baterías): Este producto lleva una batería que no puede ser desechada en el sistema municipal de basuras sin recogida selectiva dentro de la Unión Europea. Consulte la documentación del producto para ver la información específica de la batería. La batería lleva marcado este símbolo, que incluye unas letras indicando si contiene cadmio (Cd), plomo (Pb), o mercurio (Hg). Para un reciclaje adecuado, entregue la batería a su vendedor o llévela al punto de recogida de basuras designado a tal efecto. Para más información visite: www.recyclethis.info.

Instrucciones de seguridad

Estas instrucciones están destinadas a garantizar que el usuario pueda utilizar el producto correctamente para evitar peligros o pérdidas materiales.

Leyes y normativas

El dispositivo debe ser utilizado cumpliendo con la legislación local y las normativas de seguridad eléctrica y prevención de incendios.

Transporte

- Guarde el dispositivo en su paquete original o en uno similar cuando lo transporte.
- Guarde el embalaje para uso futuro. En el caso de que ocurra algún fallo, deberá devolver el dispositivo a la fábrica con el envoltorio original.
- En caso de transporte sin el envoltorio original podría resultar en daños en el dispositivo y la empresa no se hará responsable.
- No deje caer el producto ni lo someta a impactos físicos. Mantenga el dispositivo alejado de interferencias magnéticas.

Fuente de alimentación

- Debe adquirir el cargador por su cuenta. El voltaje de entrada debe cumplir con los requisitos de fuente de alimentación de potencia limitada (48 VCC) de conformidad con la norma IEC62368. Consulte las especificaciones técnicas para obtener información detallada.
- Asegúrese de que el enchufe esté correctamente conectado a la toma de corriente.
- La toma de corriente tiene que estar cerca del equipo y ser de fácil acceso.

- NO conecte múltiples dispositivos a un mismo adaptador de corriente, para evitar el sobrecalentamiento y los riesgos de incendio por sobrecarga.
- NO toque los contactos metálicos desnudos de las entradas después de que se apague el disyuntor. Todavía tienen electricidad.
- + Identifica los terminales positivos de los equipos que se utilizan con corriente continua o que la generan. - identifica los terminales negativos de los equipos que se utilizan con corriente continua o que la generan.
- Asegúrese de que el cableado de los terminales para la conexión a una fuente de alimentación de CA sea correcto.

Batería

- Riesgo de explosión si se reemplaza la batería por otra de tipo incorrecto. Deshágase de las baterías usadas conforme a las instrucciones.
- La batería integrada no puede ser desmontada. Póngase en contacto con el fabricante para solicitar las reparaciones necesarias.
- Para almacenar la batería durante un periodo prolongado, compruebe que esté completamente cargada cada medio año para garantizar la calidad de la misma. De lo contrario, podrían ocurrir daños.
- Este equipo no es adecuado para utilizarlo en lugares donde pueda haber niños.
- Una sustitución inadecuada de la batería por otra de tipo incorrecto podría inhabilitar alguna medida de protección (por ejemplo, en el caso de algunas baterías de litio).
- No arroje la batería al fuego ni la meta en un horno caliente, ni intente aplastar o cortar mecánicamente la batería, ya que podría explotar.
- No deje la batería en lugares con temperaturas extremadamente altas, ya que podría explotar o tener fugas de líquido electrolítico o gas inflamable.
- No permita que la batería quede expuesta a una presión de aire extremadamente baja, ya que podría explotar o tener fugas de líquido electrolítico o gas inflamable.

Instalación

- No coloque nunca el equipo en una ubicación inestable. El equipo podría caer y provocar graves lesiones o la muerte.
- Este equipo está diseñado para usarse solo con los soportes correspondientes. Su uso con otro tipo de soporte (carros, estantes o transportadores) podría ser inestable y ocasionar lesiones.

Seguridad del sistema

- Usted reconoce que la naturaleza de internet entraña riesgos de seguridad y que nuestra empresa no está obligada a asumir ninguna responsabilidad debido a un funcionamiento anómalo, una vulneración de la privacidad o cualquier otro daño resultante de un ciberataque o un ataque por parte de piratas informáticos; no obstante, nuestra empresa proporcionará la asistencia técnica necesaria de forma oportuna si fuera necesario.
- Garantice la protección de la información personal y la seguridad de datos, ya que el dispositivo puede encontrar problemas de seguridad cuando esté conectado a internet. Póngase en contacto con nosotros si se compromete la seguridad en la red del dispositivo.
- Recuerde que es su responsabilidad instalar las contraseñas y las demás configuraciones de seguridad del dispositivo. Proteja su nombre de usuario y contraseña.

Mantenimiento


- Si el producto no funciona correctamente, por favor, póngase en contacto con su distribuidor o con el centro de servicio técnico más próximo. No

nos haremos responsables de los problemas derivados de una reparación o mantenimiento no autorizados.

- Algunos componentes del dispositivo (p. ej: el condensador electrolítico) necesita una sustitución periódica. La vida útil promedio puede variar, por lo que se recomienda una revisión periódica. Contacte con su vendedor para más detalles.
- Limpie suavemente el dispositivo con una gamuza limpia con una pequeña cantidad de etanol, si fuese necesario.
- Si se utiliza el equipo de una manera no especificada por el fabricante, la protección del dispositivo podría verse mermada.
- Para reducir el riesgo de incendio, reemplace el fusible por otro del mismo tipo y clasificación.
- El puerto serie del equipo se utiliza únicamente con fines de depuración.
- Desconecte la fuente de alimentación durante los mantenimientos y reparaciones.

Entorno de uso

- Compruebe que el entorno de uso se adapte a los requisitos del dispositivo. La temperatura de funcionamiento oscila entre -40°C y 70°C y la humedad de funcionamiento es del 95 % o inferior, sin condensación.
- NO exponga el dispositivo a radiaciones electromagnéticas o entornos polvorientos.
- NO oriente la lente hacia el sol ni a otras luces brillantes.
- No se expondrá el equipo a goteos ni salpicaduras y no se colocarán sobre él objetos llenos de líquidos, como jarrones.

- No coloque llamas abiertas, como velas encendidas, sobre el equipo.
- En ubicaciones especiales, como en la cima de una montaña, en una torre de hierro y en un bosque, instale un supresor de sobretensiones en la abertura de entrada del equipo.
- Dedos quemados al manipular las piezas con el símbolo . Espere media hora después de apagar el equipo para tocar las partes.

Emergencia

- Si hay presencia de humo, olores o ruidos procedentes del dispositivo, apague la alimentación inmediatamente, desenchufe el cable de alimentación y contacte con el servicio técnico.

Dirección de fabricación

No.555 Qianmo Road, Binjiang District, Hangzhou 310052, China
Hangzhou Hikvision Digital Technology Co., Ltd.

AVISO DE CONFORMIDAD: Los productos de las series térmicas podrían estar sujetos a controles de exportación en algunos países o regiones; entre ellos, por ejemplo, los Estados Unidos, la Unión Europea, el Reino Unido y/o otros países miembros del Arreglo de Wassenaar. Consulte con algún experto en cumplimiento normativo y legal o con las autoridades gubernamentales locales para cumplir con los requisitos de licencia de exportación necesarios si desea transferir, exportar o reexportar los productos de las series térmicas entre distintos países.

Italiano



L'immagine del prodotto serve solo come riferimento e potrebbe differire dal prodotto effettivo.

Descrizione (pagina 2 - A)

Sono disponibili due tipi di sistemi di termolocalizzazione sferici. Fare riferimento al dispositivo effettivo.

Descrizione dei cavi (pagina 2 - B)

1. RS-485
2. Cavo di rete: collegare l'interfaccia di rete con il cavo di rete.
3. BNC: Collegare l'interfaccia video
4. Cavo di allarme: Collegare il terminale ALARM-IN al terminale GND e il terminale ALARM-OUT al terminale ALARM-COM.
5. Cavo di ingresso alimentazione: Supporta l'alimentazione a 48 V CC.

Installazione della telecamera (pagina 3 - C)

Entrambi i tipi di telecamere seguono la stessa procedura di installazione. Di seguito è mostrata a titolo di esempio la procedura della telecamera di tipo II.

Procedura:

1. Spostare il dispositivo nella posizione indicata in uno dei seguenti modi.
 - a) Estrarre i cuscinetti in gomma in cima al dispositivo, inserire e fissare gli anelli di sollevamento ai fori, quindi spostare il dispositivo nella posizione indicata con una gru o un altro dispositivo di sollevamento.
 - b) Estrarre i cuscinetti in gomma alla base del dispositivo, inserire e fissare le barre di trasporto manuale ai fori, quindi sollevare e spostare il dispositivo nella posizione indicata.
2. Praticare sei fori nella staffa distanziati in base alle sue dimensioni.
3. Utilizzando sei viti M10 x 50, fissare saldamente il dispositivo alla staffa.
4. Tirare verso l'alto il perno di posizionamento

orizzontale e ruotarlo di 90° in senso orario per sbloccare il dispositivo. Quando l'operazione va a buon fine, sarà possibile udire uno scatto.

5. Rimuovere gli anelli di sollevamento e le barre di trasporto manuale, quindi rimettere a posto i cuscinetti in gomma.
6. Applicare il gel anticorrosione sulle viti.

Installazione della scatola di alimentazione (pagina 4 - D)

Prima di procedere all'installazione, preparare un pannello di installazione e fissarlo nella posizione richiesta.

Metodo I: Installazione verticale

Procedura:

1. Praticare quattro fori di 6,5 mm di diametro sul pannello di installazione secondo le istruzioni riportate in D - I - ①.
2. Applicare quattro viti M6 al pannello di installazione. Lasciare uno spazio di almeno 5 mm tra la testa delle viti e il pannello di installazione.
3. Allineare i quattro fori grandi sul retro del pannello della scatola di alimentazione ai quattro fori praticati, spostare la scatola di alimentazione verso il basso e agganciarla al pannello di installazione, quindi stringere le viti per fissare la scatola.
4. Rimuovere le coperture impermeabili e collegare i cavi corrispondenti.

Metodo II: Installazione orizzontale

Procedura:

1. Praticare quattro fori di 6,5 mm di diametro sul pannello di installazione secondo le istruzioni riportate in D - I - ①.
2. Fissare la scatola di alimentazione al pannello di installazione usando quattro viti M6.

Sistema impermeabile (pagina 6 - E)

1. Installare il rivestimento impermeabile del cavo di rete.

2. Utilizzare il nastro impermeabile in dotazione per proteggere i connettori del cavo e i cavi non in uso.

Uscita di allarme (pagina 6 – F)

- 1 Uscita del relè
- 2 Carico CC
- 3 Alimentazione
- 4 Relè JQC-3FG

Misure di protezione (pagina 7 – G – 1)

Attivazione e accesso alla telecamera di rete (pagina 7 – G – 2)

Manuale d'uso



©2022 Hangzhou Hikvision Digital Technology Co., Ltd. Tutti i diritti riservati.

Informazioni sul presente Manuale

Il presente Manuale contiene le istruzioni per l'uso e la gestione del prodotto. Le illustrazioni, i grafici e tutte le altre informazioni che seguono hanno solo scopi illustrativi ed esplicativi. Le informazioni contenute nel Manuale sono soggette a modifiche senza preavviso in seguito ad aggiornamenti del firmware o per altri motivi. Scaricare la versione più recente del presente Manuale dal sito web di Hikvision (<https://www.hikvision.com/>).

Utilizzare il presente Manuale con la supervisione e l'assistenza di personale qualificato nel supporto del prodotto.

Marchi commerciali

HIKVISION e gli altri marchi commerciali registrati e loghi di Hikvision sono di proprietà di Hikvision nelle varie giurisdizioni.

Gli altri marchi registrati e loghi menzionati appartengono ai rispettivi proprietari.

ESCLUSIONE DI RESPONSABILITÀ

NELLA MISURA MASSIMA CONSENTITA DALLA LEGGE VIGENTE, QUESTO MANUALE E IL PRODOTTO DESCRITTO, CON IL SUO HARDWARE, SOFTWARE E FIRMWARE, SONO FORNITI "COSÌ COME SONO" E "CON TUTTI I DIFETTI E GLI ERRORI". HIKVISION NON RILASCIATA ALCUNA GARANZIA, NÉ ESPRESSA NÉ IMPLICITA COME, SOLO A TITOLO DI ESEMPIO, GARANZIE DI COMMERCIALITÀ, QUALITÀ SODDISFACENTE O IDONEITÀ PER UN USO SPECIFICO. L'UTENTE UTILIZZA IL PRODOTTO A PROPRIO RISCHIO. HIKVISION DECLINA QUALSIASI RESPONSABILITÀ VERSO L'UTENTE IN RELAZIONE A DANNI SPECIALI, CONSEGUENZIALI E INCIDENTALI, COMPRESI, TRA GLI ALTRI, I DANNI DERIVANTI DA MANCATO PROFITTO, INTERRUZIONE DELL'ATTIVITÀ O PERDITA DI DATI, DANNEGGIAMENTO DI SISTEMI O PERDITA DI DOCUMENTAZIONE, DERIVANTI DA INADEMPIENZA CONTRATTUALE, ILLECITO (COMPRESA LA NEGLIGENZA), RESPONSABILITÀ PER DANNI AI PRODOTTI O ATRIMENTI IN RELAZIONE ALL'USO DEL PRODOTTO, ANCHE QUALORA HIKVISION SIA STATA INFORMATATA

DELLA POSSIBILITÀ DI TALI DANNI O PERDITE.

L'UTENTE RICONOSCE CHE LA NATURA DI INTERNET PREVEDE RISCHI DI SICUREZZA INTRINSECI E CHE HIKVISION DECLINA QUALSIASI RESPONSABILITÀ IN RELAZIONE A FUNZIONAMENTI ANOMALI, VIOLAZIONE DELLA RISERVATEZZA O ALTRI DANNI RISULTANTI DA ATTACCHI INFORMATICI, INFEZIONE DA VIRUS O ALTRI RISCHI LEGATI ALLA SICUREZZA SU INTERNET; TUTTAVIA, HIKVISION FORNIRÀ TEMPESTIVO SUPPORTO TECNICO, SE NECESSARIO.

L'UTENTE ACCETTA DI UTILIZZARE IL PRODOTTO IN CONFORMITÀ A TUTTE LE LEGGI VIGENTI E DI ESSERE IL SOLO RESPONSABILE DI TALE UTILIZZO CONFORME. IN PARTICOLARE, L'UTENTE È RESPONSABILE DEL FATTO CHE L'UTILIZZO DEL PRODOTTO NON VIOLI DIRITTI DI TERZI COME, SOLO A TITOLO DI ESEMPIO, DIRITTI DI PUBBLICITÀ, DIRITTI DI PROPRIETÀ INTELLETTUALE O DIRITTI RELATIVI ALLA PROTEZIONE DEI DATI E ALTRI DIRITTI RIGUARDANTI LA PRIVACY. NON È CONSENTITO UTILIZZARE QUESTO PRODOTTO PER SCOPI PROIBITI, COME, TRA GLI ALTRI, LA PRODUZIONE DI ARMI DI DISTRUZIONE DI MASSA, LO SVILUPPO O LA PRODUZIONE DI ARMI CHIMICHE O BIOLOGICHE, QUALSIASI ATTIVITÀ SVOLTA IN CONTESTI CORRELATI A ESPLOSIVI NUCLEARI O COMBUSTIBILI NUCLEARI NON SICURI O ATTIVITÀ CHE CAUSINO VIOLAZIONI DEI DIRITTI UMANI.

IN CASO DI CONFLITTO TRA IL PRESENTE MANUALE E LA LEGGE VIGENTE, PREVARRÀ QUEST'ULTIMA.

Informazioni sulle norme

Queste clausole si applicano solo ai prodotti recanti il marchio o le informazioni corrispondenti.

Dichiarazione di conformità UE

CE Questo prodotto e gli eventuali accessori in dotazione sono contrassegnati con il marchio "CE" e sono quindi conformi alle norme europee armonizzate vigenti di cui alla direttiva EMC 2014/30/UE e alla direttiva RoHS 2011/65/UE.



2012/19/UE (Direttiva RAEE): i prodotti contrassegnati con il presente simbolo non possono essere smaltiti come rifiuti domestici indifferenziati nell'Unione europea. Per lo smaltimento corretto, restituire il prodotto al rivenditore in occasione dell'acquisto di un nuovo dispositivo o smaltirlo nei punti di raccolta autorizzati. Per ulteriori informazioni, visitare: www.recyclethis.info



Direttiva 2006/66/CE, modificata dalla direttiva 2013/56/UE (direttiva sulle batterie): questo prodotto contiene una batteria e non è possibile smaltirlo con i rifiuti domestici indifferenziati nell'Unione europea. Consultare la documentazione del prodotto per le informazioni specifiche sulla batteria. La batteria è contrassegnata con il presente simbolo, che potrebbe includere le sigle di cadmio (Cd), piombo (Pb) o mercurio (Hg). Per lo smaltimento corretto, restituire la batteria al rivenditore locale o smaltirla nei punti di raccolta autorizzati. Ulteriori informazioni sono disponibili sul sito: www.recyclethis.info.

Istruzioni per la sicurezza

Le presenti istruzioni hanno lo scopo di garantire che il prodotto venga utilizzato in modo corretto, evitando situazioni di pericolo o danni materiali.

Leggi e regolamenti

Il dispositivo deve essere utilizzato rispettando le leggi locali, le norme sulla sicurezza elettrica e le norme sulla prevenzione degli incendi.

Trasporto

- Per trasportare il dispositivo, riporlo nella confezione originale o in una analoga.
- Dopo aver disimballato il prodotto, conservare tutto il materiale di imballaggio per riutilizzarlo in futuro. In caso di guasti, sarà necessario inviare il dispositivo al produttore nell'imballaggio originale.
- Il trasporto senza l'imballaggio originale può causare danni al dispositivo; in tal caso il produttore declina ogni responsabilità.
- Non lasciar cadere il prodotto e non sottoporlo a impatti. Tenere il dispositivo lontano dai campi magnetici.

Alimentazione

- Acquistare l'alimentatore separatamente. La tensione in ingresso deve essere conforme alla norma IEC62368 sulle fonti di alimentazione limitate (48 VCC). Per informazioni dettagliate, consultare le specifiche tecniche.
- Verificare che la spina sia correttamente inserita nella presa di corrente.
- La presa deve essere nelle vicinanze del dispositivo ed essere facilmente accessibile.
- NON collegare più dispositivi allo stesso alimentatore per evitare rischi di surriscaldamento o di incendio da sovraccarico.
- NON toccare i contatti metallici scoperti degli ingressi nemmeno dopo aver aperto l'interruttore automatico. L'elettricità residua è pericolosa.
- Il simbolo + indica il terminale positivo dell'apparecchiatura in tensione o che genera corrente diretta. Il simbolo - indica il terminale negativo dell'apparecchiatura in tensione o che genera corrente diretta.
- Verificare il corretto cablaggio dei terminali prima di collegare l'alimentazione CA.

Batteria

- Esiste il rischio di esplosione se la batteria viene sostituita con una di tipo non corretto. Smaltire le batterie usate seguendo le istruzioni.
- La batteria integrata non può essere smontata. Per eventuali riparazioni, rivolgersi al produttore.
- Se la batteria rimane inutilizzata per lunghi periodi, caricarla completamente ogni sei mesi per garantire una lunga durata. In caso contrario potrebbe subire danni.
- Non utilizzare il dispositivo in ambienti in cui possono essere presenti bambini.
- La sostituzione della batteria con una di tipo non idoneo può impedire il corretto funzionamento dei sistemi di sicurezza (ad esempio con alcuni tipi di batterie al litio).

- Non gettare le batterie nel fuoco o in un forno caldo ed evitare di schiacciarle o tagliarle, per prevenire il rischio di esplosioni.
- NON lasciare le batterie in ambienti con temperatura estremamente alte, perché possono esplodere o perdere liquidi o gas infiammabili.
- NON sottoporre le batterie a una pressione atmosferica estremamente bassa, perché possono esplodere o perdere liquidi o gas infiammabili.

Installazione

- Non collocare mai l'attrezzatura in una posizione instabile. L'attrezzatura potrebbe cadere, causando lesioni personali gravi e anche mortali.
- La presente attrezzatura deve essere usata solo con le staffe adeguate. L'uso con altri componenti (carrelli, sostegni o contenitori) potrebbe causare l'instabilità dell'attrezzatura e il rischio di lesioni

personali.


Sicurezza del sistema

- L'utente riconosce che la natura di Internet comporta rischi intrinseci per la sicurezza e che la nostra azienda declina qualsiasi responsabilità in relazione a funzionamenti anomali, violazione della riservatezza o altri danni risultanti da attacchi informatici o attacchi di hacker; tuttavia, la nostra azienda fornirà tempestivo supporto tecnico, se necessario.
- Adottare le misure opportune per proteggere i dati personali e garantire la propria sicurezza poiché il dispositivo potrebbe essere esposto a rischi relativi alla sicurezza, quando è connesso a Internet. Si prega di contattarci qualora il dispositivo dovesse essere soggetto a rischi per la sicurezza della rete.
- L'utente ha la responsabilità di configurare tutte le password e le altre impostazioni di sicurezza relative al dispositivo e di conservare nome utente e password in modo sicuro.

Manutenzione

- Se il prodotto non funziona correttamente, rivolgersi al rivenditore o al centro di assistenza più vicino. Decliniamo qualsiasi responsabilità in relazione a problemi causati da interventi di riparazione o manutenzione non autorizzati.
- Alcuni componenti (ad esempio, il condensatore elettrolitico) devono essere sostituiti periodicamente. La durata media di questi elementi è variabile, quindi devono essere controllati regolarmente. Contattare il rivenditore per i dettagli.
- Se necessario, pulire delicatamente il dispositivo con un panno pulito imbevuto di una piccola quantità di alcool etilico.
- Se il dispositivo viene utilizzato in un modo non approvato dal produttore la garanzia potrebbe essere annullata.
- Per ridurre il rischio di incendi, sostituire i fusibili solo con altri dello stesso tipo e dello stesso valore nominale.
- La porta seriale del dispositivo serve solo per attività di debugging.
- Scollegare l'alimentazione elettrica durante la manutenzione.

Ambiente di utilizzo

- Verificare che l'ambiente di utilizzo sia conforme ai requisiti del dispositivo. La temperatura operativa deve essere compresa tra -40 °C e 70 °C (da -40 °F a 158 °F) e l'umidità non deve superare il 95%, senza condensa.
- NON esporre il dispositivo a radiazioni elettromagnetiche intense o ad ambienti polverosi.
- NON orientare l'obiettivo verso il sole o altre luci intense.
- L'attrezzatura non deve essere esposta a schizzi o gocciolamenti di liquidi; non poggiare sull'attrezzatura oggetti contenenti liquidi, ad esempio vasi.
- Non collocare sull'attrezzatura sorgenti di fiamme libere, come candele accese.
- Predisporre un soppressore di sovratensione all'apertura di ingresso dell'attrezzatura in condizioni particolari come vette di montagne, tralicci metallici o foreste.
- Esiste il rischio di ustioni alle dita quando si maneggiano componenti con il simbolo . Attendere mezz'ora dallo spegnimento prima di toccare gli elementi del dispositivo.

Emergenza

- Se il dispositivo emette fumo, odori o rumori, spegnerlo immediatamente e scollegare il cavo di alimentazione, quindi rivolgersi a un centro di assistenza.

Indirizzo del produttore

N. 555 Qianmo Road, Binjiang District, Hangzhou

310052, Cina
Hangzhou Hikvision Digital Technology Co., Ltd.

AVVISO SULLA CONFORMITÀ: i prodotti termografici potrebbero essere soggetti a controlli sulle esportazioni in vari Paesi o regioni, tra cui Stati Uniti, Unione europea, Regno Unito e/o altri

Paesi membri dell'accordo di Wassenaar. Consultare un legale o un esperto di conformità o le autorità governative locali per eventuali requisiti di licenza di esportazione necessari se si intende trasferire, esportare, riesportare i prodotti termografici tra diversi Paesi.

Português



A aparência do produto serve apenas de referência e pode ser diferente do produto real.

Aspeto (Página 2 - A)

Há dois tipos de sistemas de posicionamento esférico térmico. Tome o dispositivo real como referência.

Descrição do cabo (Página 2 - B)

1. RS-485
2. Cabo de rede: ligue a interface de rede ao cabo de rede.
3. BNC: ligue a interface de vídeo.
4. Cabo do alarme: ligue ALARM-IN do terminal ao GND do terminal e ligue a ALARM-OUT do terminal à ALARM-COM do terminal.
5. Cabo de entrada de alimentação: Suporta alimentação de 48 V CC.

Instalar a câmara (Página 3 - C)

Os passos de instalação dos dois tipos de câmaras são os mesmos. Segue-se um exemplo de instalação de câmara do tipo II.

Passos:

1. Mova o dispositivo para o local especificado através de uma das seguintes formas.
 - a) Retire as tampas de borracha na parte superior do dispositivo, insira e fixe os anéis de elevação nos orifícios e mova o dispositivo para o local especificado com uma alavanca ou uma roldana.
 - b) Retire as tampas de borracha da base do dispositivo, insira e fixe os postes de transporte portáteis nos orifícios, e depois levante e mova o dispositivo para o local especificado.
2. Faça seis furos no suporte de acordo com as dimensões do suporte.
3. Tire seis parafusos M10 x 50 e fixe o dispositivo no suporte com os parafusos.
4. Puxe o pino de posicionamento horizontal para cima e rode-o 90 graus no sentido dos ponteiros do relógio para desbloquear o dispositivo. Ouvirá um clique se a operação for bem-sucedida.
5. Retire os anéis de elevação e os postes de transporte portáteis e volte a inserir as tampas de borracha.
6. Aplique o gel anticorrosão nos parafusos.

Instalar a caixa de alimentação (Página 4 - D)

Antes de iniciar a instalação, prepare o painel de instalação e fixe-o no local necessário.

Método I: Instalação vertical

Passos:

1. Faça quatro furos de ϕ 6,5 mm no painel de instalação de acordo com as instruções em D-1-①.
2. Aparafuse quatro parafusos M6 no painel de instalação. Deixe um espaço mínimo de 5 mm entre a cabeça do parafuso e o painel de instalação.
3. Alinhe os quatro orifícios maiores no painel traseiro da caixa de alimentação com os quatro parafusos, mova a caixa de alimentação para baixo, para a pendurar no painel de instalação, e aperte os parafusos para fixar a caixa de

alimentação.

4. Retire as tampas estanques e ligue os cabos correspondentes.

Método II: Instalação horizontal

Passos:

1. Faça quatro furos de ϕ 6,5 mm no painel de instalação de acordo com as instruções (como mostrado em D-1-①).
2. Fixe a caixa de alimentação no painel de instalação com quatro parafusos M6.

Método estanque (Página 6 - E)

1. Instale a capa à prova de água do cabo de rede.
2. Utilize a fita à prova de água fornecida para proteger os conectores dos cabos e os cabos não utilizados.

Saída de alarme (Página 6 - F)

- ① Saída do relé
- ② Carga de CC
- ③ Alimentação elétrica
- ④ Relé JQC-3FG

Medidas de proteção (Página 7 - G - 1)

Ativar e aceder à câmara de rede (Página 7 - G - 2)

Manual de utilizador



©2022 Hangzhou Hikvision Digital Technology Co., Ltd. Todos os direitos reservados.

Acerca deste Manual

O Manual inclui instruções para utilizar e gerir o produto. As fotografias, os gráficos, as imagens e todas as outras informações doravante apresentadas destinam-se apenas a fins de descritivos e informativos. As informações que constam do Manual estão sujeitas a alteração, sem aviso prévio, devido a atualizações de firmware ou a outros motivos. Pode encontrar a versão mais recente deste Manual no website da Hikvision (<https://www.hikvision.com/>).

Utilize este Manual sob orientação e com a assistência de profissionais formados neste Produto.

Marcas comerciais

HIKVISION e outros logótipos e marcas comerciais da Hikvision são propriedade da Hikvision em vários territórios.

Outras marcas comerciais e logótipos mencionados são propriedade dos respetivos proprietários.

AVISO LEGAL

NA MEDIDA MÁXIMA PERMITIDA PELA LEI APLICÁVEL, ESTE MANUAL E O PRODUTO DESCRITO, COM O SEU HARDWARE, SOFTWARE E FIRMWARE, SÃO FORNECIDOS "TAL COMO ESTÃO" E "COM TODAS AS SUAS FALHAS E ERROS". A HIKVISION EXCLUI, DE FORMA EXPLÍCITA OU IMPLÍCITA, GARANTIAS DE, INCLUINDO E SEM LIMITAÇÃO, COMERCIALIZAÇÃO, QUALIDADE DO SERVIÇO OU ADEQUAÇÃO A UMA FINALIDADE ESPECÍFICA. A SUA UTILIZAÇÃO DESTES PRODUTOS É FEITA POR SUA CONTA E RISCO. EM NENHUMA CIRCUNSTÂNCIA, A HIKVISION SERÁ RESPONSÁVEL POR SI EM RELAÇÃO A QUAISQUER DANOS ESPECIAIS, CONSEQUENCIAIS, INCIDENTAIS OU INDIRETOS, INCLUINDO, ENTRE OUTROS, DANOS PELA PERDA DE LUCROS COMERCIAIS, INTERRUPTÃO DA ATIVIDADE, PERDA DE DADOS, CORRUPÇÃO DE SISTEMAS OU PERDA DE DOCUMENTAÇÃO SEJA COM BASE NUMA VIOLAÇÃO DO CONTRATO, ATOS ILÍCITOS (INCLUINDO NEGLIGÊNCIA), RESPONSABILIDADE PELO PRODUTO OU, DE OUTRO MODO, RELACIONADA COM A UTILIZAÇÃO DO PRODUTO, AINDA QUE A HIKVISION TENHA SIDO AVISADA SOBRE A POSSIBILIDADE DE TAIS DANOS OU PERDAS.

O UTILIZADOR RECONHECE QUE A NATUREZA DA INTERNET OFERECE RISCOS DE SEGURANÇA INERENTES E QUE A HIKVISION NÃO SERÁ RESPONSABILIZADA POR UM FUNCIONAMENTO ANORMAL, PERDA DE PRIVACIDADE OU OUTROS DANOS RESULTANTES DE ATAQUES INFORMÁTICOS, ATAQUES DE PIRATARIA, INFECÇÃO POR VÍRUS OU OUTROS RISCOS ASSOCIADOS À SEGURANÇA DA INTERNET. NO ENTANTO, A HIKVISION PRESTARÁ APOIO TÉCNICO ATEMPADO, SE SOLICITADO.

O UTILIZADOR ACEITA UTILIZAR ESTE PRODUTO EM CONFORMIDADE COM TODAS AS LEIS APLICÁVEIS E SER O ÚNICO RESPONSÁVEL POR GARANTIR QUE A SUA UTILIZAÇÃO É CONFORME À LEI APLICÁVEL, PARTICULARMENTE, O UTILIZADOR É O RESPONSÁVEL PELA UTILIZAÇÃO DESTES PRODUTOS DE MODO QUE NÃO INFIRJA OS DIREITOS DE TERCEIROS, INCLUINDO, ENTRE OUTROS, OS DIREITOS DE PUBLICIDADE, DIREITOS DE PROPRIEDADE INTELECTUAL OU DE PROTEÇÃO DE DADOS, OU QUAISQUER OUTROS DIREITOS DE PRIVACIDADE. O UTILIZADOR NÃO PODERÁ UTILIZAR ESTE PRODUTO PARA QUAISQUER UTILIZAÇÕES FINAIS PROIBIDAS, INCLUINDO O DESENVOLVIMENTO OU PRODUÇÃO DE ARMAS DE DESTRUÇÃO MACIÇA, DESENVOLVIMENTO OU PRODUÇÃO DE QUÍMICOS OU ARMAS BIOLÓGICAS, QUAISQUER ATIVIDADES DESENVOLVIDAS NO ÂMBITO DE EXPLOSIVOS NUCLEARES OU CICLOS DE COMBUSTÍVEL NUCLEAR INSEGURO OU PARA APOIAR ABUSOS AOS DIREITOS HUMANOS. NA EVENTUALIDADE DA OCORRÊNCIA DE ALGUM CONFLITO ENTRE ESTE MANUAL E A LEGISLAÇÃO APLICÁVEL, ESTA ÚLTIMA PREVALECE.

Informações sobre as normas reguladoras

As presentes cláusulas aplicam-se apenas aos produtos que apresentam a marcação ou informação correspondentes.

Declaração de conformidade da UE

CE Este produto e, se aplicável, os acessórios fornecidos com o mesmo, têm a marcação "CE" e estão, por isso, em conformidade

com os padrões europeus aplicáveis, indicados na Diretiva CEM 2014/30/UE e na Diretiva RPS 2011/65/UE.



2012/19/UE (Diretiva REEE): Os produtos com este símbolo não podem ser eliminados como resíduos urbanos indiferenciados na União Europeia. Para uma reciclagem adequada, devolva este produto ao seu fornecedor local quando adquirir um novo equipamento equivalente ou elimine-o através dos pontos de recolha adequados. Para obter mais informações consulte: www.recyclethis.info



A Diretiva 2013/56/UE, que revoga a Diretiva 2006/66/CE (diretiva relativa a pilhas e acumuladores): Este produto contém uma bateria que não pode ser eliminada como resíduo urbano indiferenciado na União Europeia. Consulte a documentação do produto para obter informações específicas acerca da bateria. A bateria está marcada com este símbolo, que poderá incluir inscrições para indicar a presença de cádmio (Cd), chumbo (Pb), ou mercúrio (Hg). Para reciclar o produto de forma adequada, devolva a bateria ao seu fornecedor ou coloque-a num ponto de recolha apropriado. Para mais informações, consulte: www.recyclethis.info.

Instruções de segurança

Estas instruções destinam-se a garantir que o utilizador possa utilizar o produto corretamente para evitar perigos ou perdas materiais.

Legislação e regulamentos

O dispositivo deve ser utilizado em conformidade com as leis, regulamentos de segurança elétrica e regulamentos de prevenção de incêndios locais.

Transporte

- Mantenha o dispositivo na embalagem original ou similar, quando o transportar.
- Depois da abertura da embalagem do produto, guarde todos os invólucros, para uso posterior. Em caso de qualquer avaria, deve devolver o dispositivo à fábrica com o invólucro original.
- O transporte sem o invólucro original pode resultar em danos no dispositivo, sendo que a empresa não assumirá quaisquer responsabilidades.
- Não deixe o produto cair, nem o sujeito a impactos físicos. Mantenha o dispositivo longe de interferências magnéticas.

Alimentação elétrica

- A compra do carregador fica por sua conta. A tensão de entrada deve cumprir a Fonte de potência limitada (48 V CC), de acordo com a norma IEC62368. Consulte as especificações técnicas para obter informações detalhadas.
- Certifique-se de que a ficha está devidamente ligada à tomada.
- A tomada deverá estar instalada perto do equipamento e ser facilmente acessível.
- NÃO ligue vários dispositivos a um adaptador de energia, para evitar o superaquecimento de riscos de incêndio provocados por sobrecarga.
- NÃO toque nos contactos metálicos expostos das entradas depois de desligar o disjuntor. Ainda existe condução de eletricidade.
- + identifica o terminal positivo do equipamento com o qual é utilizada ou gera corrente direta. - identifica o terminal negativo do equipamento com o qual é utilizada ou gera corrente direta.
- Certifique-se de que a cablagem dos terminais foi efetuada corretamente para ligação a uma fonte de alimentação CA.

Bateria

- Existe risco de explosão se a bateria for substituída por outra de tipo incorreto. Elimine as

pillhas usadas de acordo com as instruções.

• A bateria integrada não pode ser desmontada.

Contacte o fabricante caso necessite de uma reparação.

• Em caso de armazenamento prolongado da bateria, certifique-se de que esta é totalmente carregada de 6 em 6 meses, garantindo, assim, a sua qualidade. Caso contrário, poderão ocorrer danos.

• Este equipamento não se adequa a utilização em locais onde a presença de crianças seja provável.

• A substituição incorreta da bateria por outra de tipo incorreto pode destruir uma proteção (por exemplo, no caso de alguns tipos de bateria de lítio).

• Não proceda à eliminação da bateria numa fogueira ou forno quente, ou mediante esmagamento ou corte mecânico da mesma pois tal pode resultar numa explosão.

• Não deixe a bateria num ambiente com temperaturas extremamente elevadas pois tal pode resultar numa explosão ou na fuga de líquido inflamável ou gás.

• Não sujeite a bateria a pressão de ar extremamente baixa pois tal poderá resultar numa explosão de líquido inflamável ou gás.

Instalação

• Nunca coloque o equipamento num local instável. O equipamento pode cair e causar lesões corporais graves ou morte.

• Este equipamento destina-se a ser utilizado apenas com os suportes correspondentes. A utilização com outros tipos de suporte (carrinhos, bancadas ou carrinhos de transporte) pode resultar em instabilidade e causar ferimentos.

Segurança do sistema

• O utilizador reconhece que a natureza da Internet comporta riscos de segurança inerentes e que a nossa empresa não será responsabilizada pelo funcionamento anormal, perda de privacidade ou outros danos resultantes de ataques informáticos ou ataques de pirataria. No entanto, a nossa empresa prestará apoio técnico atempado, se solicitado.

• Por favor, cumpra os requisitos de proteção de informações pessoais e de segurança de dados, uma vez que o dispositivo pode enfrentar problemas de segurança ao estar ligado à internet. Por favor, contacte-nos quando achar que o dispositivo possa estar exposto a riscos de segurança por estar ligado à rede.

• Por favor, tenha em consideração que a configuração das palavras-passe e de outras definições de segurança do dispositivo são da sua responsabilidade, assim como o guardar do seu nome de utilizador e da sua palavra-passe.

Manutenção

• Se o produto não funcionar corretamente, contacte o seu fornecedor ou o seu centro de serviços local. Não assumimos qualquer responsabilidade por problemas causados por reparações ou manutenções não autorizadas.

• Alguns componentes do dispositivo (por exemplo, capacitor eletrolítico) necessita de substituição regular. A duração média varia, portanto,

recomenda-se verificação periódica. Entre em contacto com o respetivo revendedor para obter detalhes.

• Limpe o dispositivo suavemente com um pano limpo e uma pequena quantidade de etanol, se necessário.

• Se o equipamento for utilizado de uma forma não especificada pelo fabricante, a proteção providenciada pelo dispositivo poderá ser afetada.

• Para reduzir o risco de incêndio, o fusível deve ser substituído apenas por outro do mesmo tipo e com a mesma potência.

• A porta de série do equipamento é utilizada apenas para a depuração.

• Desligue a fonte de alimentação durante as operações de manutenção.

Ambiente de utilização

• Certifique-se de que o ambiente de funcionamento do dispositivo cumpre os requisitos do mesmo. A temperatura de funcionamento deve situar-se entre -40 °C e 70 °C e a humidade de funcionamento deve ser igual ou inferior a 95%, sem condensação.

• NAO exponha o dispositivo a radiação eletromagnética elevada nem a ambientes com pó.

• NAO direcione a lente para o sol nem para qualquer outra luz brilhante.

• O equipamento não deverá ser exposto a derrames ou salpicos de líquidos e nenhum objeto que contenha líquidos, como vasos, deverá ser colocado sobre o equipamento.

• Não deverão ser colocadas fontes de chama livre, como velas acesas, sobre o equipamento.

• Providencie um supressor de picos na abertura da entrada do equipamento em condições especiais, como no cimo de uma montanha, numa torre de ferro ou na floresta.

• Queimadura dos dedos resultante do manuseamento das peças com o símbolo ⚠. Desligue o equipamento, aguarde trinta minutos e só então deverá manusear as peças.

Emergência

• Caso o dispositivo emita fumo, odores ou ruídos, desligue a alimentação elétrica de imediato, retire o cabo de alimentação da tomada e contacte o centro de assistência.

Endereço do fabricante

No.555 Qianmo Road, Binjiang District, Hangzhou 310052, China
Hangzhou Hikvision Digital Technology Co., Ltd.

AVISO DE CONFORMIDADE: Os produtos da série térmica poderão estar sujeitos a controlos de exportação em vários países ou regiões, incluindo sem limite, os Estados Unidos da América, a União Europeia, o Reino Unido e/ou outros países-membro do Acordo de Wassenaar. Consulte o seu especialista em legislação ou em conformidade ou as autoridades locais para saber os requisitos de licença de exportação necessários se pretender transferir, exportar, voltar a exportar os produtos da série térmica entre países diferentes.

Nederlands



Het uiterlijk van het product is alleen bedoeld als referentie en kan verschillen van het werkelijke product.

Verschijningsvorm (pagina 2 - A)

Er zijn twee typen thermische bolpositioneringssystemen. Neem het daadwerkelijke apparaat als referentie.

Omschrijving kabel (pagina 2 - B)

1. RS-485
2. Netwerkkabel: Sluit de netwerkkabel aan op de netwerkkabel.
3. BNC: Video-interface verbinden.
4. Alarmkabel: Sluit terminal ALARM-IN aan op terminal GND en sluit terminal ALARM-OUT aan op terminal ALARM-COM.
5. Voedingskabel: Ondersteunt 48 VDC stroomvoorziening.

Installeer de camera (pagina 3 - C)

De installatiestappen van de twee cameratypes zijn hetzelfde. Hier volgt een installatievoorbeeld van camera type II.

Stappen:

1. Verplaats het apparaat naar de aangegeven plek op een van de volgende manieren.
 - a) Trek de rubberen pluggen aan de bovenkant van het apparaat uit, steek de hijsringen in de gaten en bevestig deze en verplaats het apparaat vervolgens met een hefboom of een kraan naar de opgegeven locatie.
 - b) Trek de rubberen pluggen op de onderkant van het apparaat uit, steek de draagstangen in de gaten en bevestig deze, til het apparaat vervolgens op en verplaats het naar de opgegeven locatie.
 2. Boor zes gaten in de beugel in overeenstemming met de afmetingen van de beugel.
 3. Pak zes M10 x 50 schroeven uit en bevestig het apparaat met de schroeven aan de beugel.
 4. Trek de horizontale positioneerpen omhoog en draai de positioneerpen 90° met de klok mee om het apparaat te ontgrendelen. U hoort een klik als de activiteit geslaagd is.
 5. Verwijder de hijsringen en de handmatig gebruikte draagstangen en plaats de rubberen pluggen terug.
 6. Breng roestwerende gel aan op de schroeven.
- Installeer de elektriciteitskast (pagina 4 - D)**
Bereid zelf, voordat u met de installatie begint, een installatiepaneel voor en bevestig dit op de gewenste plaats.

Methode I: Verticale installatie

Stappen:

1. Boor vier ϕ 6,5 mm gaten in het installatiepaneel volgens de instructies in D - I - ①.
2. Schroef vier M6 schroeven in het installatiepaneel. Laat ten minste 5 mm ruimte tussen de schroefkop en het installatiepaneel.
3. Lijn de vier grotere gaten op het achterpaneel van de elektriciteitskast uit met de vier schroeven, beweeg de elektriciteitskast naar beneden om hem aan het installatiepaneel te hangen, en draai de schroeven vast om de elektriciteitskast vast te zetten.
4. Verwijder de waterdichte afdekkingen en sluit de desbetreffende kabels aan.

Methode II: Horizontale installatie

Stappen:

1. Boor vier ϕ 6,5 mm gaten op het installatiepaneel volgens instructies (zoals afgebeeld in D - I - ①).
2. Bevestig de elektriciteitskast op het installatiepaneel met vier M6 schroeven.

Waterdichte methode (pagina 6 – E)

1. Installeer de waterdichte afwerking van de kabel.
2. Gebruik de meegeleverde waterdichte tape om kabelconnectoren en ongebruikte kabels te beschermen.

Alarmitgang (pagina 6 – F)

- ① Relaisuitgang
- ② DC-belasting
- ③ Stroomvoorziening
- ④ JQC-3FG relais

Beschermingsmaatregelen (pagina 7 – G – 1) Netwerkkamera activeren en benaderen (pagina 7 – G – 2)

Gebruiksaanwijzing



©2022 Hangzhou Hikvision Digital Technology Co., Ltd. Alle rechten voorbehouden.

Over deze handleiding

De handleiding bevat instructies voor het gebruik en beheer van het product. Afbeeldingen, grafieken, afbeeldingen en alle andere informatie hierna worden verstrekt voor beschrijving en uitleg. De informatie in de handleiding is onderhevig aan verandering, zonder voorafgaande kennisgeving, als gevolg van firmware-updates of andere redenen. U kunt de nieuwste versie van deze handleiding vinden op de Hikvision-website (<https://www.hikvision.com/>).

Gebruik deze handleiding onder begeleiding en ondersteuning van professionals die zijn opgeleid voor het ondersteunen van het product.

Handelsmerken

HIKVISION en andere handelsmerken en logo's van Hikvision zijn eigendom van Hikvision in de verschillende jurisdicties.

Andere handelsmerken en logo's zijn het eigendom van hun respectieve eigenaren.

VRIJWARINGSCLAUSULE

VOOR ZOVER MAXIMAAL TOEGESTAAN OP GROND VAN HET TOEPASSELIJK RECHT, WORDEN DEZE HANDLEIDING EN HET OMSCHREVEN PRODUCT, INCLUSIEF HARDWARE, SOFTWARE EN FIRMWARE, GELEVERD 'ZOALS ZE ZIJN', INCLUSIEF 'FOUTEN EN GEBREKEN'. HIKVISION GEEFT GEEN GARANTIES, EXPLICIET NOCH IMPLICIET, INCLUSIEF ZONDER BEPERKING OMTRENT VERKOOPBAARHEID, TEVREDENHEID OMTRENT KWALITEIT OF GESCHIKTHEID VOOR EEN BEPAALD DOEL. HET GEBRUIK VAN HET PRODUCT DOOR U IS OP EIGEN RISICO. IN GEEN GEVAL IS HIKVISION VERANTWOORDELIJK VOOR SPECIALE, BIJKOMENDE, INCIDENTELE OF INDIRECTE SCHADE, WAARONDER, ONDER ANDERE, SCHADE VAN VERLIES AAN ZAKELIJKE WINST, ZAKELIJKE ONDERBREKING OF VERLIES VAN GEGEVENS, CORRUPTIE OF SYSTEMEN, OF VERLIES VAN DOCUMENTATIE, ONGEACHT OF DIT VOORTVLOEIT UIT CONTRACTBREUK, BENADELING (INCLUSIEF NALATIGHEID), PRODUCTAANSPRAAKELIJKHEID OF ANDERS, MET BETREKKING TOT HET PRODUCT, ZELF ALS HIKVISION OP DE HOOGTE IS GEBRACHT VAN ZULKE SCHADE OF VERLIES.

U ERKENT DAT DE AARD VAN INTERNET INHERENTE VEILIGHEIDSRISICO'S MET ZICH MEE BRENGT, EN HIKVISION GEEN ENKELE VERANTWOORDELIJKHEID NEEMT VOOR ABNORMALE WERKING, PRIVACYLEKKEN OF ANDERE SCHADE DIE VOORTVLOEIT UIT CYBERAANVAL, HACKERAANVAL, VIRUSINFECTIE, OF ANDERE INTERNETVEILIGHEIDSRISICO'S; HIKVISION BIJDT INDIEN NODIG ECHTER TIJDELIJK

TECHNISCHE ONDERSTEUNING.

U GAAT AKKOORD MET HET GEBRUIK VAN DIT PRODUCT IN OVEREENSTEMMING MET ALLE TOEPASBARE WETTEN EN UITSLUITEND U BENT VERANTWOORDELIJK VOOR DE GARANTIE DAT UW GEBRUIK OVEREENSTEMT MET DE TOEPASBARE WET. U BENT VOORAL VERANTWOORDELIJK DAT HET GEBRUIK VAN DIT PRODUCT GEEN INBREUK MAAKT OP DE RECHTEN VAN DERDEN, INCLUSIEF EN ZONDER BEPERKING DE RECHTEN VAN PUBLICITEIT, INTELLECTUEEL EIGENDOM, OF GEGEVENSBEWAKING EN ANDERE PRIVACYRECHTEN. U MAG DIT PRODUCT NIET GEBRUIKEN VOOR ENIGE ONWETTIG EINDGEBRUIK, MET INBEGRIEP VAN DE ONTWIKKELING OF DE PRODUCTIE VAN MASSAVERNIEGINGSWAPENS, DE ONTWIKKELING OF DE PRODUCTIE VAN CHEMISCHE OF BIOLOGISCHE WAPENS, ALLE ACTIVITEITEN IN HET KADER VAN EVENTUELE NUCLEAIRE EXPLOSIEVEN OF ONVEILIGE NUCLEAIRE BRANDSTOF CYCLUS, OF TER ONDERSTEUNING VAN MENSENRECHTENSCHENDINGEN.

IN HET GEVAL VAN ENIGE CONFLICTEN TUSSEN DEZE HANDLEIDING EN DE TOEPASBARE WETGEVING, PREVALEERT DE LAATSTE.

Informatie met betrekking tot regelgeving

Deze clausules zijn alleen van toepassing op de producten die de overeenkomende markering of informatie dragen.

EU-conformiteitsverklaring

Dit product en, indien van toepassing, ook de meegeleverde accessoires, zijn gemarkeerd met "CE" en voldoen daarom aan de toepasselijke geharmoniseerde Europese normen zoals opgenomen in de EMC-richtlijn 2014/30/EU en de RoHS-richtlijn 2011/65/EU.



2012/19/EU (WEEE-richtlijn): Producten die met dit symbool zijn gemarkeerd mogen binnen de Europese Unie niet worden weggegooid als ongesorteerd huishoudelijk afval. Lever dit product voor een juiste recycling in bij uw plaatselijke leverancier bij aankoop van soortgelijke nieuwe apparatuur, of breng het naar daarvoor aangewezen inzamelingspunten. Zie voor meer informatie: www.recyclethis.info



2006/66/EU en het amendement 2013/56/EU (richtlijn batterijen): Dit product bevat een batterij die binnen de Europese Unie niet mag worden weggegooid als ongesorteerd huishoudelijk afval. Zie de productdocumentatie voor specifieke informatie over de batterij. De batterij is gemarkeerd met dit symbool, dat letters kan bevatten die cadmium (Cd), lood (Pb) of kwik (Hg) aanduiden. Lever de batterij voor een juiste recycling in bij uw leverancier of bij een daarvoor aangewezen inzamelingspunt. Raadpleeg voor meer informatie: www.recyclethis.info.

Veiligheidsinstructies

Deze instructies zijn bedoeld om te verzekeren dat de gebruiker het product juist kan gebruiken om gevaar of verlies van eigendommen te vermijden.

Wet- en regelgeving

Het apparaat moet worden gebruikt in overeenstemming met lokale wetgeving, elektrische veiligheidsvoorschriften en

voorschriften voor brandpreventie.

Transport

- Bewaar het apparaat in de originele of soortgelijke verpakking tijdens vervoer.
- Bewaar alle verpakkingen voor toekomstig gebruik. In het geval van een defect moet u het apparaat terugsturen naar de fabriek met de originele verpakking.
- Transport zonder de originele verpakking kan leiden tot schade aan het apparaat, waarvoor wij geen verantwoordelijk erkennen.
- Laat het product niet vallen en stel het apparaat niet bloot aan schokken. Houd het apparaat uit de buurt van magnetische interferentie.

Stroomvoorziening

- Koop de lader zelf. De ingangsspanning moet voldoen aan de Beperkte Voedingsbron (48 VDC) volgens de IEC62368-norm. Zie de technische specificaties voor gedetailleerde informatie.
- Zorg dat de stekker goed in het stopcontact zit.
- Het stopcontact moet in de buurt van de apparatuur worden geïnstalleerd en eenvoudig toegankelijk zijn.
- Sluit NOOIT meerdere apparaten aan op één voedingsadapter om oververhitting of brandgevaar door overbelasting te voorkomen.
- Raak de blanke metalen contacten van de inlaten niet aan nadat de stroomonderbreker is uitgeschakeld. Er is nog steeds elektriciteit aanwezig.
- + identificeer de positieve aansluiting(en) van apparatuur die wordt gebruikt met gelijkstroom of die dat genereert. - identificeer de negatieve aansluiting(en) van apparatuur die wordt gebruikt met gelijkstroom of die dat genereert.
- Zorg voor de juiste bekabeling van de klemmen voor aansluiting op een wisselstroomnet.

Batterij

- Er bestaat explosiegevaar wanneer de batterij door een onjuist type wordt vervangen. Verwijder gebruikte batterijen in overeenstemming met de instructies.
 - De ingebouwde batterij kan niet worden gedemonteerd. Neem indien nodig contact op met de fabrikant voor reparatie.
 - Voor langdurige opslag van de batterij moet u ervoor zorgen dat deze elk half jaar volledig wordt opgeladen om de kwaliteit van de batterij te waarborgen. Als u dit niet doet, kan dit leiden tot schade.
 - Deze apparatuur is niet geschikt voor gebruik op locaties waar waarschijnlijk kinderen aanwezig zijn.
 - Onjuiste vervanging van de batterij door een onjuist type kan een beveiliging omzeilen (bijvoorbeeld in het geval van sommige typen lithiumbatterijen).
 - Gooi de batterij niet in vuur of een hete oven en plet of snij de batterij niet op mechanische wijze, want dat kan een explosie veroorzaken.
 - Laat de batterij niet in een omgeving met een extreem hoge temperatuur liggen, want dat kan een explosie of het lekken van brandbare vloeistof of gas tot gevolg hebben.
 - Stel de batterij niet bloot aan een extreem lage luchtdruk, want dat kan een explosie of het lekken van brandbare vloeistof of gas tot gevolg hebben.
- ### Installatie
- Plaats de apparatuur nooit op een onstabiele plaats. De apparatuur kan dan vallen, wat ernstig letsel of de dood tot gevolg kan hebben.
 - Deze apparatuur is uitsluitend bedoeld voor gebruik met bijpassende klemmen. Gebruik met andere voorwerpen (karren, standaards of dragers) kan leiden tot instabiliteit letsel veroorzaken.
- ### Systeembeveiliging
- U erkent dat de aard van internet zorgt voor

inherente veiligheidsrisico's, en ons bedrijf zal geen enkele verantwoordelijkheid accepteren voor abnormale werking, schending van privacy of andere schade als gevolg van een cyber- of hacker-aanval; ons bedrijf zal echter tijdige technische ondersteuning bieden indien vereist.

- Zorg voor bescherming van persoonlijke gegevens en gegevensbeveiliging aangezien het apparaat mogelijk te maken kan krijgen met netwerkbeveiligingsproblemen wanneer het met internet wordt verbonden. Neem contact met ons op als er netwerkbeveiligingsrisico's voor het apparaat optreden.

- Wij vragen uw begrip voor het feit dat u verantwoordelijkheid bent voor het configureren van alle wachtwoorden en andere beveiligingsinstellingen betreffende het apparaat, en bewaar uw gebruikersnaam en wachtwoord.

Onderhoud

- Als het product niet goed werkt, neem dan contact op met uw leverancier of het dichtstbijzijnde servicecentrum. Wij aanvaarden geen verantwoordelijkheid voor problemen die zijn veroorzaakt door ongeautoriseerde reparatie of onderhoud.

- Een paar componenten van het apparaat (o.a. elektrolytische condensator) vereisen regelmatige vervanging. De gemiddelde levensduur varieert, dus periodieke controle wordt aanbevolen. Neem contact op met uw leverancier voor meer informatie.

- Veeg het apparaat voorzichtig schoon met een schone doek en, indien nodig, een kleine hoeveelheid ethanol.

- Als de apparatuur wordt gebruikt op een manier die niet door de fabrikant is gespecificeerd, kan de bescherming van het apparaat worden aangetast.

- Vervang de zekering uitsluitend door een exemplaar van hetzelfde type en vermogen om het risico van brand te reduceren.

- De seriële poort van de apparatuur wordt alleen gebruikt voor foutopsporing.

- Ontkoppel de voeding tijdens onderhoud.

Gebruiksomgeving

- Zorg dat de gebruiksomgeving voldoet aan de vereisten van het apparaat. De bedrijfstemperatuur moet tussen -40°C en 70°C

(-40°F tot 158°F) liggen en de bedrijfsvluchtvochtigheid moet 95% of minder bedragen, niet condensierend.

- Stel het apparaat NIET bloot aan hoge elektromagnetische straling of stoffige omgevingen.

- Richt de lens NIET op de zon of een ander fel licht.

- De apparatuur mag niet worden blootgesteld aan druppels of spetters en er mogen geen voorwerpen gevuld met vloeistoffen, zoals vazen, op de apparatuur worden geplaatst.

- Plaats geen bronnen met open vuur, zoals brandende kaarsen, op het apparaat.

- Zorg voor een overspanningsbeveiliging bij de inlaatopening van de apparatuur onder speciale omstandigheden, zoals op een bergtop, ijzeren toren en in het bos.

- U kunt uw vingers verbranden als u onderdelen met dit symbool vastpakt . Wacht een half uur na uitschakelen voordat u de onderdelen bepakt.

Noodgeval

- Als er rook, geur of geluid uit het apparaat komt, schakel het dan onmiddellijk uit, haal de stekker van het netsnoer uit het stopcontact en neem contact op met het servicecentrum.

Adres fabrikant

Qianmo Road 555, district Binjiang, Hangzhou 310052, China

Hangzhou Hikvision Digital Technology Co., Ltd.

MEDEDELING VAN NALEVING: De producten thermische serie kunnen zijn onderworpen aan exportcontroles in verschillende landen of regio's, inclusief zonder enige beperking de Verenigde Staten, de Europese Unie, het Verenigd Koninkrijk en/of andere lidstaten van de Overeenkomst van Wassenaar. Neem contact op met uw professionele juridische of nalevingsexpert of plaatselijke overheidsinstanties omtrent enige noodzakelijke vereisten voor een exportvergunning als u van plan bent de producten thermische serie te verplaatsen, exporteren of her-exporteren tussen verschillende landen.

Čeština



Vzhled výrobku slouží pouze jako reference a může se od skutečného výrobku lišit.

Vzhled (strana 2 – A)

Sférický polohovací termostýsytém se dodává ve dvou typech. Jako referenci použijte skutečné zařízení.

Popis kabelů (strana 2 – B)

1. Konektor RS-485
2. Síťový kabel: Připojte k síťovému konektoru síťový kabel.
3. BNC: Propojte videozhraní.
4. Alarmový kabel: Propojte svorku ALARM-IN se svorkou GND a propojte svorku ALARM-OUT se svorkou ALARM-COM.
5. Kabel pro napájení: Podporuje napájení 48 V DC.

Montáž kamery (strana 3 – C)

Montážní kroky obou typů kamer jsou stejné. Zde je jako příklad montáže uvedena kamera typu II.

Kroky:

1. Přesuňte zařízení na konkrétní místo jedním z následujících způsobů.
 - a) Vytáhněte pryžové zátky na horní části zařízení, vložte do otvorů zvedací kroužky a připevněte je. Přesuňte zařízení na konkrétní

místo pomocí páky nebo jeřábu.

- b) Vytáhněte pryžové zátky za základně zařízení, vložte do otvorů ruční přenášecí tyče a připevněte je. Poté zařízení zvedněte a přesuňte na konkrétní místo.
2. Vyrtejte do držáku šest otvorů podle rozměrů držáku.
 3. Vytáhněte šest šroubů M10 X 50 a připevněte zařízení k držáku pomocí šroubů.
 4. Táhněte horizontální polohovací kolík směrem nahoru a otočným polohovacím kolíkem o 90° ve směru hodinových ručiček zařízení odemkněte. Pokud operace proběhne úspěšně, ozve se cvaknutí.
 5. Sejměte zvedací kroužky a ruční přenášecí tyče a vložte pryžové zátky zpět.
 6. Naneste na šrouby antikoroziní gel.
- Montáž rozvodné skříňky (strana 4 – D)**
Než začnete s montáží, připravte si sami montážní panel a připevněte jej na požadované místo.

Způsob I: vertikální montáž

Kroky:

1. Podle pokynů v části D – I – ① vyvrtejte do montážního panelu čtyři otvory s ϕ 6,5 mm.
2. Našroubujte do montážního panelu čtyři šrouby M6. Mezi hlavou šroubu a montážním panelem ponechte alespoň 5 mm místa.

3. Vyrovnajte čtyři větší otvory na zadním panelu rozvodné skříňky se čtyřmi šrouby, posuňte rozvodnou skříňku dolů, aby visela přes montážní panel, a utažením šroubů rozvodnou skříňku připevněte.
4. Sejměte voděodolné kryty a připojte odpovídající kabely.

Způsob II: horizontální montáž

Kroky:

1. Podle pokynů (viz D – I – ①) vyvrtejte do montážního panelu čtyři otvory s ϕ 6,5 mm.
2. Pomocí čtyř šroubů M6 připevněte rozvodnou skříňku k montážnímu panelu.

Voděodolné provedení (strana 6 – E)

1. Namontujte na síťový kabel voděodolný plášť.
2. K ochraně konektorů kabelu a nepoužívaných kabelů použijte dodanou voděodolnou pásku.

Výstup alarmu (strana 6 – F)

- ① Reléový výstup
- ② Zatížení stejnosm. proudem
- ③ Napájení
- ④ Relé JQC-3FG

Ochranná opatření (strana 7 – G – 1)

Aktivace síťové kamery a přístup k ní (strana 7 – G – 2)

Návod k obsluze



©2022 Hangzhou Hikvision Digital Technology Co., Ltd. Všechna práva vyhrazena.

Informace o tomto návodu

V návodu jsou obsaženy pokyny k používání a obsluze výrobku. Obrázky, schémata, snímky a veškeré ostatní zde uvedené informace slouží pouze jako popis a vysvětlení. Informace obsažené v tomto návodu podléhají vzhledem k aktualizacím firmwaru nebo z jiných důvodů změnám bez upozornění. Nejnovější verzi tohoto návodu naleznete na webových stránkách společnosti Hikvision (<https://www.hikvision.com/>).

Tento návod používejte s vedením a pomocí odborníků vyškolených v oblasti podpory výrobku.

Ochranné známky

HIKVISION a ostatní ochranné známky a loga společnosti Hikvision jsou vlastnictvím společnosti Hikvision v různých jurisdikcích.

Ostatní ochranné známky a loga uvedené v této příručce jsou majetkem příslušných vlastníků.

ZŘEKnutí SE ODPOVĚDNOSTI

TATO PŘÍRUČKA A POPISOVANÉ PRODUKTY VČETNĚ PŘÍSLUŠNÉHO HARDWARU, SOFTWARE A FIRMWARU JSOU V MAXIMÁLNÍM ROZSAHU PŘÍPUSTNĚM PODLE ZÁKONA POSKYTOVÁNY „JAK STOJÍ A LEŽÍ“, A „SE VŠEMI VADAMI A CHYBAMI“. SPOLEČNOST HIKVISION NEPOSKYTUJE ŽÁDNÉ VÝSLOVNĚ ANI PŘEDPOKLÁDANÉ ZÁRUKY ZARNUJÍCÍ MIMO JINÉ PRODEJNOST,

USPOKOJIVOU KVALITU NEBO VHODNOST KE KONKRÉTNÍM ÚČELŮM. POUŽÍVÁNÍ TOHOTO PRODUKTU JE NA VAŠE VLASTNÍ RIZIKO. SPOLEČNOST HIKVISION V ŽÁDNÉM PŘÍPADĚ NENESE ODPOVĚDNOST ZA JAKÉKOLI ZVLÁŠTNÍ, NÁSLEDNĚ, NÁHODNĚ NEBO NEPŘÍMĚ ŠKODY ZAHRNÚJÍCÍ MIMO JINÉ ŠKODY ZE ZTRÁTY OBCHODNÍHO ZISKU, PŘERUŠENÍ OBCHODNÍ ČINNOSTI NEBO ZTRÁTY DAT, POŠKOZENÍ SYSTÉMŮ NEBO ZTRÁTY DOKUMENTACE V SOUVISLOSTI S POUŽÍVÁNÍM TOHOTO VÝROBKU BEZ OHLEDU NA TO, ZDA TAKOVÉ ŠKODY VZNIKLY Z DŮVODU PORUŠENÍ SMLOUVY, OBČANSKOPRAVNÍHO PŘECHINU (VČETNĚ NEDBALOSTI) ČI ODPOVĚDNOSTI ZA PRODUKT, A TO ANI V PŘÍPADĚ, ŽE SPOLEČNOST HIKVISION BYLA NA MOŽNOST TAKOVYCHTO ŠKOD NEBO ZTRÁTY UPOZORNĚNA.

BERETE NA VĚDOMÍ, ŽE INTERNET SVOU PODSTATOU PŘEDSTAVUJE SKRYTÁ BEZPEČNOSTNÍ RIZIKA A SPOLEČNOST HIKVISION PROTO NEPŘEBÍRÁ ŽÁDNOU ODPOVĚDNOST ZA NESTANDARDNÍ PROVOZNÍ CHOVÁNÍ, ÚNIK OSOBNÍCH ÚDAJŮ NEBO JINÉ ŠKODY VYPLYVAJÍCÍ Z KYBERNETICKÉHO ČI HAČKERSKÉHO ÚTOKU, NAPADENÍ VIREM NEBO ŠKODY ZPŮSOBENÉ JINÝMI INTERNETOVÝMI BEZPEČNOSTNÍMI RIZIKY; SPOLEČNOST HIKVISION VŠAK V PŘÍPADĚ POTŘEBY POSKYTNÉ VČASNOU TECHNICKOU PODPORU.

SOUHLÁSÍTE S TÍM, ŽE TENTO PRODUKT BUDE POUŽÍVÁN V SOULADU SE VŠEMI PLATNÝMI ZÁKONY A VÝHRADNĚ ODPOVÍDÁTE ZA ZAJIŠTĚNÍ, ŽE VAŠE UŽÍVÁNÍ BUDE V SOULADU S PLATNOU LEGISLATIVOU. ODPOVÍDÁTE ZEJMÉNA ZA POUŽÍVÁNÍ PRODUKTU ZPŮSOBEM, KTERÝ NEPORUŠUJE PRÁVA TŘETÍCH STRAN, COŽ ZAHRNÚJE MIMO JINÉ PRÁVO NA OCHRANU OSOBNOSTI, PRÁVO DŮŠEVNÍHO VLASTNICTVÍ NEBO PRÁVO NA OCHRANU OSOBNÍCH ÚDAJŮ A DALŠÍ PRÁVA NA OCHRANU SOUKROMÍ. TENTO PRODUKT NESMÍTE POUŽÍVAT K JAKÝMKOLI NEDOVOLENÝM KONCOVÝM ÚČELŮM VČETNĚ VÝVOJE ČI VÝROBY ZBRANÍ HROMADNĚHO NIČENÍ, VÝVOJE NEBO VÝROBY CHEMICKÝCH ČI BIOLOGICKÝCH ZBRANÍ NEBO JAKÝCHKOLI ČINNOSTI SOUVISEJÍCÍCH S JADERNÝMI VYBUŠNINAMI NEBO NEBEZPEČNÝM JADERNÝM PALIVOVÝM CYKLEM ČI K PODPĚRE PORUŠOVÁNÍ LIDSKÝCH PRÁV.

V PŘÍPADĚ JAKÉHOKOLI ROZPORU MEZI TÍMTO NÁVODEM A PŘÍSLUŠNÝMI ZÁKONY PLATÍ DRUHÉ ZMÍNĚNÉ.

Zákonné informace

Tyto části se vztahují pouze k výrobkům nesoucím odpovídající označení nebo informaci.

EU prohlášení o shodě

CE Tento výrobek a případně i dodané příslušenství jsou označeny štítkem „CE“, což znamená, že vyhovují příslušným harmonizovaným evropským normám uvedeným ve směrnici EMC 2014/30/EU a směrnici RoHS 2011/65/EU.

WEEE Směrnice 2012/19/ES (WEEE): Výrobek označené tímto symbolem nelze v Evropské unii likvidovat společně s netříděným domovním odpadem. Při zakoupení nového ekvivalentního výrobku tento výrobek řádně zrecykluje vrácením svému místnímu dodavateli, nebo jej zlikvidujte odevzdáním v určených sběrných místech. Více

informací naleznete na webu:
www.recyclethis.info



Směrnice 2006/66/ES a její úprava 2013/56/EU (směrnice o bateriích): Tento výrobek obsahuje baterii, kterou nelze v Evropské unii likvidovat společně

s netříděným domovním odpadem. Konkrétní informace o baterii naleznete v dokumentaci výrobku. Baterie je označena tímto symbolem, který může obsahovat písmena značící kadmium (Cd), olovo (Pb) nebo rtuť (Hg). Za účelem řádné recyklace baterii odevzdejte svému dodavateli nebo na určené sběrné místo. Další informace naleznete na adrese: www.recyclethis.info.

Bezpečnostní pokyny

Účelem těchto pokynů je zajistit, aby uživatel mohl výrobek správně používat a zabránilo se nebezpečí nebo újmě na majetku.

Zákony a předpisy

Zařízení je nutné používat v souladu s místními zákony a předpisy týkajícími se elektrické bezpečnosti a předpisy pro protipožární ochranu.

Přeprava

- Při přepravě uchovávejte zařízení v původním nebo jemu podobném balení.
- Po vybalení uchovávejte veškeré obaly pro budoucí použití. V případě jakékoliv poruchy je třeba vrátit zařízení výrobci v původním obalu.
- Přeprava bez původního obalu může vést k poškození zařízení, za které společnost neponese odpovědnost.
- Produkt nevystavujte fyzickým nárazům a zabraňte jeho spadnutí. Udržujte zařízení mimo dosah magnetického rušení.

Napájení

- Zaktep si nabíječku sami. Vstupní napětí musí dělat normy IEC62368 splňovat požadavky na omezený zdroj napájení (48 V DC). Podrobné informace naleznete v technických údajích.
- Zkontrolujte, zda je zástrčka řádně zapojena do nápatovací zásuvky.
- Síťová zásuvka musí být namontována v blízkosti zařízení a musí být snadno přístupná.
- K jednomu napájecímu adaptéru NEPŘIPOJUJTE více zařízení, abyste zabránili přehřátí nebo nebezpečí požáru v důsledku přetížení.
- Po vypnutí jističe se NEDOTÝKEJTE obnažených kovových kontaktů vstupů. Stále jsou pod proudem.
- + označuje kladnou svorku zařízení, která se používá se stejnosměrným proudem nebo její generuje. - označuje zápornou svorku zařízení, která se používá se stejnosměrným proudem nebo její generuje.
- Při připojení ke zdroji střídavého proudu zajistěte správné zapojení svorek.

Baterie

- Při výměně baterie za nesprávný typ hrozí nebezpečí výbuchu. Použité baterie zlikvidujte podle pokynů.
- Vestavěnou baterii nelze rozebírat. Je-li třeba ji opravit, obraťte se na výrobce.
- Při dlouhodobém skladování baterii každého půl roku plně nabijte, abyste zajistili zachování její kvality. V opačném případě může dojít k jejímu poškození.
- Toto zařízení není vhodné pro použití v místech, na kterých se mohou vyskytovat děti.
- Vyměňte-li baterii za nesprávný typ, může dojít k poškození bezpečnostního prvku (například v případě některých typů lithiových baterií).
- Nevhazujte do ohně, nekládejte do horké trouby, mechanicky jej nedrťte ani nerezejte. Mohlo by dojít k výbuchu.
- Baterii v prostředí s extrémně vysokou teplotou,

protože by mohlo dojít k výbuchu nebo úniku hořlavé kapaliny nebo plynu.

- Baterii extrémně nízkému tlaku vzduchu, protože by mohlo dojít k výbuchu nebo úniku hořlavé kapaliny nebo plynu.

Montáž

- Zařízení nikdy neumísťujte na nestabilní místo. Zařízení může spadnout a způsobit vážné zranění nebo smrt.
- Toto zařízení je určeno k používání pouze s odpovídajícími držáky. Při použití jiného vybavení (vozíku, stojanu nebo nosičů) může být instalace nestabilní a může dojít ke zranění.

Zabezpečení systému

- Berete na vědomí, že internet svou podstatou představuje skrytá bezpečnostní rizika a naše společnost proto nepřebírá žádnou odpovědnost za nestandardní provozní chování, unik osobních údajů nebo jiné škody vyplývající z kybernetického či hackerského útoku; naše společnost však v případě potřeby poskytne včasnou technickou podporu.
- Zajistěte ochranu osobních údajů a zabezpečení dat, protože se zařízení během připojení k internetu může potýkat s problémy se zabezpečením sítě. Obratě se na nás, pokud se vyskytnou problémy se zabezpečením sítě nebezpečně pro zařízení.
- Mějte na paměti, že jste odpovědní za konfiguraci všech hesel a dalších nastavení zabezpečení zařízení a uchovávejte uživatelské jméno a heslo.

Údržba

- V případě, že výrobek nefunguje správně, obraťte se na prodejce nebo na nejbližší servisní středisko. Nepřebíráme žádnou odpovědnost za problémy způsobené neoprávněnou opravou nebo údržbou.
- Některé z komponent zařízení (např. elektrolytický kondenzátor) je nutné pravidelně vyměňovat. Průměrná doba životnosti se liší, doporučujeme proto pravidelné kontroly. Podrobnosti vám poskytne prodejce.
- V případě potřeby zařízení jemně otřete čistým hadříkem navlhčeným malým množstvím etanolu.
- V případě použití zařízení způsobem jiným než určeným výrobcem může dojít ke zrušení platnosti záruky.
- Pojistku vyměňte pouze za pojistku stejného typu a se stejným jmenovitým proudem, abyste omežili nebezpečí požáru.
- Sériový port zařízení se používá pouze k ladění.
- Při provádění servisu musí být zdroj napájení odpojen.

Provozní prostředí

- Zajistěte, aby provozní prostředí vyhovovalo požadavkům zařízení. Provozní teplota musí být -40 °C až 70 °C a provozní vlhkost musí být max. 95 % bez kondenzace.
- NEVSTAVUJTE zařízení silnému elektromagnetickému záření ani prašnému prostředí.
- NEMÍRTE objektivem do slunce ani do jiného zdroje jasného světla.
- Zařízení nesmí být vystaveno kapající nebo stříkající vodě a nesmí se na něj pokládat předměty s tekutinami, jako jsou vazy.
- Na zařízení se nesmí pokládat zdroje otevřeného ohně jako například hořící svíčky.
- Ve speciálních podmínkách, jako je na vrcholcích hor, na kovové věži nebo v lese namontujte do vstupního otvoru zařízení přepětovou ochranu.
- Při manipulaci s díly označenými symbolem ▲ si můžete popálit prsty. Než budete s díly manipulovat, vyčkejte po vypnutí zařízení půl hodiny.

Stav nouze

- Pokud je zařízení vychází kouř, zápach nebo hluk, zařízení okamžitě vypněte, odpojte napájecí kabel

a obratle se na servisní středisko.

Adresa výrobce

No.555 Qianmo Road, Binjiang District, Hangzhou 310052, Cina
Hangzhou Hikvision Digital Technology Co., Ltd.

POZNÁMKA O DODRŽOVÁNÍ PŘEDPISŮ: Na výrobky termální řady se mohou vztahovat vývozní opatření v různých zemích nebo regionech včetně, mimo jiné, Spojených států, Evropské unie,

Spojeného království a dalších členských států Wassenaaarského ujednání. Máte-li v úmyslu přenášet, exportovat nebo opětovně exportovat výrobky termální řady mezi různými zeměmi, obraťte se na profesionálního právníka, odborníka v oblasti dodržování předpisů nebo místní úřady, aby vám sdělili všechny nezbytné licenční požadavky pro export.

Dansk



Produktudsendet er kun til reference og kan variere fra det faktiske produkt.

Udseende (side 2 – A)

Der findes to typer positioneringssystemer til termisk område. Den faktiske enhed gælder.

Kabelbeskrivelse (side 2 – B)

1. RS-485
2. Netværkskabel: Slut netværksstikket til netværkskablet.
3. BNC: Tilslut videostik.
4. Alarmkabel: Slut terminalen ALARMINDGANG til terminalen GND, og slut terminalen ALARMUDGANG til terminalen ALARM-COM.
5. Kabel til strømningang: Understøtter en jævnstrømsforsyning på 48 V.

Installér kamera (side 3 – C)

Installationsproceduren for de to typer kameraer er identisk. Her vises et eksempel på installation af kameratype II.

Trin:

1. Flyt enheden til den valgte placering på en af følgende måder.
 - a) Fjern gummipropperne fra toppen af enheden, og fastgør løfteringene til hullerne. Flyt enheden til den valgte placering med en løftestang eller en kran.
 - b) Fjern gummipropperne i enhedens fod. Fastgør de håndholdte bærestænger til hullerne, løft derefter enheden op, og flyt den til den valgte placering.
 2. Bor seks huller i beslaget i henhold til beslagets størrelse.
 3. Fastgør enheden til beslaget med seks skruer af typen M10 x 50.
 4. Træk den horisontale positioneringsstift opad, og drej stiften 90° med uret for at låse enheden op. Du kan høre et klik, når låsen åbnes.
 5. Fjern løfteringene og de håndholdte bærestænger, og sæt gummipropperne tilbage på plads.
 6. Smør antirustmidlet på skruerne.
- ## Installér strømkasse (side 4 – D)
- Klargør et installationspanel, og fastgør det på den krævede plads før installationen.

Metode I: Vertikal installation

Trin:

1. Bor fire huller med en diameter på 6,5 mm i installationspanelet i henhold til anvisningerne i D-1 – ①.
2. Skru fire M6-skruer i installationspanelet. Efterlad en afstand på mindst 5 mm mellem skruenhovederne og installationspanelet.
3. Flugt de fire store huller på strømkassens bagpanel med de fire skruer, flyt strømkassen nedad, så den hænger på installationspanelet, og fastgør strømkassen ved at stramme skruerne.

4. Fjern de vandtætte hætter, og tilslut kablerne.

Metode II: Horisontal installation

Trin:

1. Bor fire huller med en diameter på 6,5 mm i installationspanelet i henhold til anvisningerne (som vist i D-1 – ①).
2. Fastgør strømkassen til installationspanelet med fire M6-skruer.

Vandtætningsmetode (side 6 – E)

1. Installér vandtæt hætte på netværkskabel.
2. Brug medfølgende vandtætte tape til at beskytte kabelstik og ubrugte kabler.

Alarmudgang (side 6 – F)

- ① Relæudgang
- ② Jævnstrømsbelastning
- ③ Strømforsyning
- ④ JQC-3FG-relæ

Beskyttelsesforanstaltninger (side 7 – G – 1)

Aktivér og få adgang til netværkskamera (side 7 – G – 2)

Brugervejledning



©2022 Hangzhou Hikvision Digital Technology Co. Ltd. Alle rettigheder forbeholdes.

Om denne vejledning

Vejledningen indeholder anvisninger om brug og håndtering af produktet. Billeder, diagrammer, illustrationer og alle øvrige oplysninger herefter tjener kun som beskrivelse og forklaring. Oplysningerne i vejledningen er med forbehold for ændring uden varsel på grund af opdateringer af firmware eller andre årsager. Du kan finde den seneste udgave af vejledning på Hikvisions websted (<https://www.hikvision.com/>). Brug brugervejledningen under vejledning af og med hjælp fra fagfolk, der er uddannet i understøttelse af produktet.

Varemærker

HIKVISION og andre af Hikvisions varemærker og logoer tilhører Hikvision i forskellige jurisdiktioner. Andre nævnte varemærker og logoer tilhører deres respektive ejere.

ANSVARSRFRASKRIVELSE

VEJLEDNINGEN OG DET HERI BESKREVNE PRODUKT, INKL. HARDWARE, SOFTWARE OG FIRMWARE, LEVERES I STØRST MULIGT OMFANG, DER ER TILLADT VED LOV, "SOM DET ER OG FOREFINDES" OG "MED ALLE DEFEKTER OG FEJL".

HIKVISION UDSTEDER INGEN GARANTIER, UDTRYKKELIGE ELLER UNDERFORSTÅEDE, INKL. UDEN BEGRÆNSNING, VEDRØRENDE SALGBARHED, TILFREDSSTILLENDE KVALITET ELLER EGNETHED TIL ET BESTEMT FORMÅL. DIN BRUG AF PRODUKTET SKER PÅ DIN EGEN RISIKO. UNDER INGEN OMSTÆNDIGHEDER ER HIKVISION ANSVARLIG OVER FOR DIG FOR SÆRLIGE SKADER, HÆNDELIGE SKADER, FØLGESKADER ELLER INDIREKTE SKADER, INKL. BL.A., SKADER SOM FØLGE AF DRIFTSTAB, DRIFTSFØRSTYRRELSER ELLER TAB AF DATA, BESKADIGELSE AF SYSTEMER ELLER TAB AF DOKUMENTATION, UANSET OM DET ER BASERET PÅ KONTRAKTBRUD, SKADEVOLDENDE HANDLINGER (HERUNDER UAGTSOMHED), PRODUKTANSVAR ELLER PÅ ANDEN MÅDE I FORBINDELSE MED BRUGEN AF PRODUKTET, SELVOM HIKVISION ER BLEVET UNDERRETET OM MULIGHEDEN FOR SÅDANNE SKADER.

DU ANERKENDE, AT INTERNETTET INDEHOLDER INDBYGGEDE SIKKERHEDSRISICI. HIKVISION PÅTAGER SIG INTET ANSVAR FOR UNORMAL DRIFT, LÆKAGE AF PERSONLIGE OPLYSNINGER ELLER ANDRE SKADER SOM FØLGE AF CYBERANGREB, HACKERANGREB, VIRUSANGREB ELLER ANDRE INTERNETSIKKERHEDSRISICI. HIKVISION VIL DOG YDE EVENTUEL NØDVENDIG OG RETTIDIG TEKNISK BISTAND.

DU ERKLÆRER DIG INDFORSTÅET MED AT BRUGE PRODUKTET I OVERENSSTEMMELSE MED ALLE GÆLDENDE LOVE, OG DU ER ENEANSVARLIG FOR AT SIKRE, AT DIN BRUG OVERHOLDER AL GÆLDENDE LOVGIVNING. DU ER ISÆR ANSVARLIG FOR AT BRUGE PRODUKTET PÅ EN MÅDE, DER IKKE KRÆNKER TREDJEPARTERS RETTIGHEDER, HERUNDER, UDEN BEGRÆNSNINGER, RETTIGHEDER VEDRØRENDE OFFENTLIG OMTALE, INTELLEKTUELLE EJENDOMSRETTIGHEDER ELLER RETTIGHEDER VEDRØRENDE DATABESKYTTELSE OG ANDRE RETTIGHEDER VEDRØRENDE PERSONLIGE OPLYSNINGER. DU MÅ IKKE BRUGE PRODUKTET TIL FORBUDTE SLUTANVENDelser, HERUNDER UDVIKLING ELLER FREMSTILLING AF MASSEDELÆGGELESVÅBEN, UDVIKLING ELLER PRODUKTION AF KEMISKE ELLER BIOLOGISKE VÅBEN, AKTIVITETER I DEN KONTEKST, DER ER KNYTTET TIL ATOMBOMBER ELLER USIKKER REAKTORBRÆNDELSER, ELLER SOM STØTTE TIL OVERTRÆDELSE AF MÆNNESKERETTIGHEDER. I TILFÆLDE AF UOVERENSSTEMMELSE MELLEM VEJLEDNINGEN OG GÆLDENDE LOVGIVNING GÆLDER SIDSTNÆVNTE.

Lovgivningsmæssige oplysninger

Disse bestemmelser gælder kun for produkter, der er forsynet med det relevante mærke eller oplysninger.

EU-overensstemmelseserklæring



Dette produkt og eventuelt medfølgende tilbehør er mærket "CE" og opfylder derfor gældende harmoniserede

europæiske standarder anført i Lavspændingsdirektivet 2014/30/EU og RoHS-direktivet 2011/65/EU.



2012/19/EU (WEEE-direktivet): Produkter, der er mærket med dette symbol, kan ikke bortskaffes som almindeligt

husholdningsaffald i EU. Med henblik på korrekt genbrug skal du aflevere produktet til din

lokale leverandør ved køb af tilsvarende nyt udstyr eller aflevere det på et dertil indrettet indleveringssted. Du kan få flere oplysninger her: www.recyclethis.info



2006/66/EF som ændret ved 2013/56/EU (batteridirektivet): Dette produkt indeholder et batteri, som ikke kan bortskaffes sammen med almindeligt

husholdningsaffald i EU. Find specifikke oplysninger om batteriet i produktdokumentationen. Batteriet er mærket med dette symbol, som kan indeholde bogstaver, der indikerer indhold af kadmium (Cd), bly (Pb) eller kviksølv (Hg). Med henblik på korrekt genbrug skal du aflevere batteriet til din leverandør eller til et dertil indrettet indleveringssted. For yderligere oplysninger se: www.recyclethis.info.

Sikkerhedsanvisninger

Disse anvisninger skal sikre, at brugeren kan anvende produktet korrekt og undgå fare eller tab af ejendom.

Love og bestemmelser

Enheden skal anvendes i overensstemmelse med lokale love, sikkerhedsbestemmelser for elnettilslutning og brandforebyggelse.

Transport

- Opbevar enheden i den oprindelige eller en lignende emballage, når den skal transporteres.
- Gem al emballage efter udpakning til senere brug. Du skal bruge den originale emballage til at returnere enheden til fabrikken, hvis der opstår fejl.
- Transport uden den originale emballage kan medføre skade på enheden, og virksomheden tager intet ansvar derfor.
- Tab ikke produktet, og udsæt det ikke for fysiske stød. Hold enheden væk fra magnetisk forstyrrelse.

Strømforsyning

- Du skal selv købe en oplader. Indgangsspænding skal overholde LPS (Limited Power Source) (48 V jævnstrøm) iht. standarden IEC62368. Du kan finde nærmere oplysninger i de tekniske specifikationer.
- Kontroller, at stikket er sat godt i stikkontakten.
- Stikkontakten skal være installeret i nærheden af udstyret og være nemt tilgængelig.
- Slut IKKE flere enheder til én strømadapter for at undgå overbelastning eller brandfare som følge af overbelastning.
- Rør IKKE ved de blottede metalkontakter på indgangene, når afbryderen er slukket. Der er fortsat elektricitet til stede.
- + identificerer de positive terminaler på udstyret, der bruges sammen med eller genererer jævnstrøm. - identificerer de negative terminaler på udstyret, der bruges sammen med eller genererer jævnstrøm.
- Sørg for korrekt kabelføring af terminalerne for tilslutning til en strømforsyning med vekselstrøm.

Batteri

- Der er eksplosionsfare, hvis batteriet udskiftes med en ukorrekt type. Bortskaf brugte batterier i henhold til anvisningerne.
- Det indbyggede batteri kan ikke demonteres. Kontakt producenten, hvis du har brug for en reparation.
- Hvis batteriet skal opbevares i en længere periode, skal du sikre, at det oplades fuldt hvert halve år for at bevare batteriets ydeevne. Ellers kan der opstå skade.
- Udstyret er ikke egnet til brug på steder, hvor det er sandsynligt, at børn er til stede.
- Udskiftning af batteriet med et batteri af forkert

type kan sætte en sikkerhedsforanstaltning ud af kraft (gælder fx for visse lithium-batterityper).

- Ikke batteriet i åben ild eller en varm ovn. Knus ikke, og skær ikke i batteriet, da dette kan forårsage en eksplosion.

- Ikke batteriet i omgivelser med ekstremt høje temperaturer, da det kan medføre en eksplosion eller lægge af brandfarlig væske eller luftart.

- Ikke batteriet for omgivelser med ekstremt lavt lufttryk, da det kan medføre en eksplosion eller lægge af brandfarlig væske eller luftart.

Installation

- Placer aldrig udstyret på et usikkert underlag.

- Udstyret kan vælte og forårsage alvorlig personskade eller død.

- Brug kun udstyret sammen med de tilsvarende beslag. Brug af andet (arbejdsvogne, stativer eller støtter) kan medføre ustabilitet og forårsage personskade.

Systemsikkerhed

- Du anerkender, at internettet indeholder indbyggede sikkerhedsrisici. Vores virksomhed påtager sig intet ansvar for unormal drift, lægge af personlige oplysninger eller andre skader som følge af cyberangreb eller hackerangreb. Vores virksomhed vil dog yde nødvendig rettidig teknisk bistand.

- Sørg for at aktivere beskyttelse af personoplysninger og datasikkerhed, da enheden kan blive udsat for netværkssikkerhedsproblemer, når den tilsluttes internettet. Kontakt os, hvis der opstår netværkssikkerhedsrisici.

- Du skal være bevidst om, at du har ansvar for at konfigurere alle adgangskoder og andre sikkerhedsindstillinger vedrørende enheden og for at opbevare dit brugernavn og din adgangskode et sikkert sted.

Vedligeholdelse

- Hvis produktet ikke virker korrekt, skal du kontakte din forhandler eller dit nærmeste servicecenter. Vi påtager os intet ansvar for problemer, der er forårsaget af uautoriseret reparation eller vedligeholdelse.

- Der er få enhedsdele (fx elektrolyt-kondensator), der skal udskiftes regelmæssigt. Den gennemsnitlige levetid varierer. Derfor er det nødvendigt at udføre regelmæssig kontrol.

- Kontakt din forhandler for nærmere oplysninger.

- Tør enheden forsigtigt af med en ren klud og en lille mængde ætanol, hvis det er nødvendigt.

- Hvis udstyret bruges på en måde, der ikke er angivet af producenten, kan den beskyttelse, der enheden giver, blive forringet.

- Udskift kun med en sikring af samme type og effekt for at reducere risikoen for brand.

- Den serielle port på udstyret bruges kun til fejlfinding.

- Afbryd strømkilden under udførelse af service.

Driftsmiljø

- Kontroller, at driftsmiljøet opfylder enhedens krav. Driftstemperaturen skal ligge mellem -40 °C og 70 °C, og driftsluftfugtigheden skal være 95 % eller derunder, uden kondens.


- Enheden må IKKE udsættes for kraftig elektromagnetisk stråling eller støvfylde miljøer.

- Objektivet må IKKE rettes mod solen eller et stærkt lys.

- Udsæt ikke udstyret for dryp eller sprøjt, og placer ikke genstande med væske, såsom vaser, oven på udstyret.

- Placer ikke kilder med åben ild, såsom et tændt stearinlys, oven på udstyret.

- Installer en spændingsdæmper ved udstyrets indgangsbåning under særlige forhold som f.eks. bjergtop, jerntårn og skov.

- Risiko for forbrænding ved håndtering af dele med symbolet . Vent 30 minutter, efter at udstyret er slukket, før delene håndteres.

Nødsituation

- Hvis enheden afgiver røg, lugt eller støj, skal du straks slukke for strømmen og trække strømkablet ud. Kontakt derefter servicecentret.

Producentens adresse

No. 555 Qianmo Road, Binjiang District, Hangzhou 310052, China

Hangzhou Hikvision Digital Technology Co., Ltd.

MEDDELELSE OM OVERENSSTEMMELSE:

Produktterne i den termografiske serie kan være underlagt eksportkontrol i forskellige lande eller områder, herunder, uden begrænsning, USA, EU, Storbritannien og/eller andre medlemslande i Wassenaar-aftalen. Kontakt din professionelle juraekspert, ekspert i overensstemmelse eller de lokale offentlige myndigheder for at få oplysninger om kravene for eksportlicens, hvis du har til hensigt at overføre, eksportere eller geneksportere enheder i den termiske serie mellem forskellige lande.

Magyar



A termék megjelenése csak tájékoztató jellegű, és eltérhet a tényleges terméktől.

Megjelenés (2 - A)

Két típusú termoszférikus helymeghatározó rendszerrel beszélhetünk. Kérjük, a valós terméket tekintse referenciának.

Kábelelés (2 - B)

1. RS-485
2. Hálózati kábel: Csatlakoztasson a hálózati csatlakozóra egy hálózati kábelt.
3. BNC: Videóinterfész csatlakoztatása.
4. Riasztókábel: Csatlakoztassa az ALARM-IN csatlakozót a GND csatlakozóra, az ALARM-OUT csatlakozót pedig az ALARM-COM csatlakozóra.
5. Tápvezetési kábel: 48 V DC áramforrást támogat.

Telepítse a kamerát (3 - C)

A két kameratípus telepítésének lépései megegyeznek. Ime egy példa a II. típusú kamera telepítésére.

Lépések:

1. Az eszköz áthelyezése a megadott helyre a

következő módok egyikével lehetséges.

- a) Húzza ki a készülék tetején lévő gumidugókat, helyezze be és rögzítse az emelőgyűrűket a lyukakba, és mozgassa a készüléket a megadott helyre egy karral vagy daruval.
 - b) Húzza ki a készülék talapatán lévő gumidugókat, helyezze be és rögzítse a kézi tartóoszlopokat a lyukakhoz, majd emelje fel és mozgassa a készüléket a megadott helyre.
2. Fúrjon hat lyukat a konzolon a konzol méretének megfelelően.
 3. Vegyen ki hat M10 x 50-es csavart, majd rögzítse a készüléket a konzolhoz a csavarokkal együtt.
 4. Húzza felfelé a vízszintes pozicionáló csapot, és a készülék feloldásához forgassa el a pozicionáló csapot 90°-kal az óramutató járásával megegyező irányba. Ha a művelet sikeres, egy kattanas hallható.
 5. Távolítsa el az emelőgyűrűket és a kézi tartóoszlopokat, majd helyezze vissza a gumidugókat.
 6. Vigen fel korróziógátló zselét a csavarokra.

Tápegység felszerelése (4 – D)

A felszerelés elkezdése előtt készítse el saját maga a szerelőlapot, és rögzítse azt a kívánt helyre.

I. módszer: Független felszerelés

Lépések:

1. Fúrjon négy ϕ 6,5 mm-es furatot a szerelőlapon a D-1 – ① szerinti utasításoknak megfelelően.
2. Csavarozzon négy M6-os csavart a szerelőlapba. Hagyjon legalább 5 mm helyet a csavarfej és a szerelőlap között.
3. Igazítsa be a négy nagyobb furatot a tápegység hátuljára a négy csavarral, a szerelőlapra beakasztáshoz mozgassa a tápegységet lefelé, majd húzza meg a csavarokat a tápegység rögzítéséhez.
4. Távolítsa el a vízálló burkolatokat, és csatlakoztassa a megfelelő kábeleket.

II. módszer: Vízzintes felszerelés

Lépések:

1. Fúrjon négy ϕ 6,5 mm-es furatot a szerelőlapon az utasításoknak megfelelően (lásd itt: D – I – ①).
2. Rögzítse a tápegységet a szerelőlapra négy M6-os csavarral.

Vízálló módszer (6 – E)

1. Helyezze fel a vízálló hálózati kábelborítást.
2. Használja a mellékelt vízálló ragasztószalagot a kábelcsatlakozók és a fel nem használt kábelek vízhatlanítására.

Riasztási kimenet (6 – F)

- ① Relékimenet
- ② Egyenáramú terhelés
- ③ Tápellátás
- ④ JQC-3FG relé

Övintézkedések (7 – G – 1)

A hálózati kamera aktiválása és elérése (7 – G – 2)

Felhasználói útmutató



©2022 Hangzhou Hikvision Digital Technology Co., Ltd. Minden jog fenntartva.

A Kézikönyvvel kapcsolatos tudnivalók

Az útmutató a termék használatára és kezelésére vonatkozó utasításokat tartalmaz. Az itt szereplő képek, diagramok, ábrák és minden további információ csupán leírásként és magyarázatként szolgál. A Kézikönyvben szereplő információk a firmware-frissítések és egyéb okok miatt előzetes értesítés nélkül változhatnak. Az Útmutató legfrissebb változatáért keresse fel a Hikvision weboldalát (<https://www.hikvision.com/>).

Az Útmutatót a termékkel kapcsolatos támogatáshoz megfelelő képzéssel rendelkező szakemberek támogatásával és útmutatásával együtt használja.

Védjegyek

HIKVISION A, valamint a Hikvision egyéb védjegyei és logói a Hikvision tulajdonát képezik különböző joghatóságok területén.

Az említett egyéb védjegyek és logók a megfelelő tulajdonosok tulajdonát képezik.

FELELŐSSÉGIKIZÁRÁS

EZT A KÉZIKÖNYVET, VALAMINT A BENNE SZEREPLŐ TERMÉKET ANNAK HARDVER-, SZOFTVER-ÖSSZETEVŐIVEL ÉS FIRMWARE-ÉVEL EGYÜTT „EREDETI FORMÁBAN” BIZTOSÍTJUK, „BELEÉRTVE AZOK ÖSSZES ESETLEGES HIBÁJÁT”. A HIKVISION NEM VÁLLAL SEM KIFEJEZETT, SEM TÖRVÉNY ÁLTAL VÉLELMEZETT JÓTÁLLAST, TÖBBEK KÖZÖTT – DE NEM KORLÁTOZVA – A TERMÉK ÉRTEKESÍTHETŐSÉGRE, MEGFELELŐ MINŐSÉGRE, VALAMINT ADOTT CÉLRA VALÓ ALKALMASSÁGÁRA. A TERMÉKET KIZÁRÓLAG SAJÁT FELELŐSSÉGRE HASZNÁLHATJA. A HIKVISION SEMMILYEN ESETBEN SEM VÁLLAL FELELŐSÉGET ÖN FELE SEMMILYEN KÜLÖNLEGES, KÖVETKEZMÉNYES, JÁRULÉKOS VAGY KÖVETETT KÁRÉRT, BELEÉRTVE TÖBBEK KÖZÖTT A TERMÉK HASZNÁLTÁVAL ÖSSZFÜGGÉSBEN AZ ÜZLETI HASZON ELVESZTÉSÉBŐL, AZ ÜZLETMENET MEGSZAKADÁSÁBÓL, VALAMINT AZ ADATOK VAGY DOKUMENTUMOK ELVESZTÉSÉBŐL EREDŐ KÁROKAT, TÖRTÉNJEN EZ SZERZŐDÉSSZEGES VAGY KÁROKOZÁS (BELEÉRTVE A GONDATLANSÁGOT) EREDMÉNYEKÉNT, MÉG AKKOR SEM, HA A HIKVISION VÁLLALATOT TÁJEKOZTATTÁK AZ ILYEN KÁROK BEKÖVETKEZÉSÉNEK LEHETŐSÉGÉRŐL. ÖN TUDOMÁSUL VESZI, HOGY AZ INTERNET TERMÉSZETÉBŐL FAKADOAN REJT KOCKÁZATOKAT, ÉS A HIKVISION SEMMILYEN FELELŐSÉGET NEM VÁLLAL A RENDELLENES MŰKÖDÉSERT, A SZEMÉLYES ADATOK KISZIVÁRGÁSÁÉRT VAGY MÁS OLYAN KÁROKÉRT, AMELYEKET KIBERTÁMADÁSOK, HACKERTÁMADÁSOK, VIRUSFERTŐZÉSEK VAGY MÁS INTERNETES BIZTONSÁGI VESZÉLYEK OKOZTAK; A HIKVISION AZONBAN KÉRÉSRE IDŐBEN MŰSZAKI TÁMOGATÁST NYÚJT. ÖN ELFOGADJA, HOGY EZT A TERMÉKET KIZÁRÓLAG A VONATKOZÓ TÖRVÉNYI ELŐÍRÁSOK BETARTÁSÁVAL HASZNÁLJA, ÉS HOGY A VONATKOZÓ TÖRVÉNYNEK MEGFELELŐ HASZNÁLAT KIZÁRÓLAG AZ ÖN FELELŐSSÉGE. KÜLÖNÖSKÉPPEN AZ ÖN FELELŐSSÉGE, HOGY A TERMÉK HASZNÁLATA SORÁN NE SÉRTSE HARMADIK FÉL JOGAIT, BELEÉRTVE, DE NEM KORLÁTOZVA A NYILVANOSSÁGRA, SZELLEMI TULAJDONRA, ADATOK VÉDELMERE ÉS EGYÉB SZEMÉLYES ADATOKRA VONATKOZÓ JOGOKAT. A TERMÉKET NEM HASZNÁLHATJA TILTOTT CÉLRA, BELEÉRTVE A TÖMEGUSZÍTJÓ FEGYVEREK FEJLESZTÉSÉÉRT VAGY GYÁRTÁSÁÉRT, A VEGETI VAGY BIOLÓGIAI FEGYVEREK FEJLESZTÉSÉÉRT VAGY GYÁRTÁSÁÉRT, VALAMINT BÁRMILYEN, ROBBANÁSVESZÉLYES VAGY NEM BIZTONSÁGOS NUKLEÁRIS HASADÓANYAG-CIKLUSZAL KAPCSOLATOS TEVÉKENYSÉGET, ILLETVE EMBERI JOGI VISSZÁÉLÉSEKET TÁMOGATÓ MÓDON TÖRTÉNŐ FELHASZNÁLÁST.

HA A JELEN KÉZIKÖNYV ÉS A HATÁLYOS TÖRVÉNY KÖZÖTT ELLENTMONDÁS TAPASZTALHATÓ, AKKOR AZ ÚTOBBI A MÉRVA DÓ.

Szabályozással kapcsolatos információk

Ezek a cikkek kizárólag a megfelelő jelt vagy információkat viselő termékekre vonatkoznak.

EU megfelelési nyilatkozat



Ez a termék és tartozékai (amennyiben vannak) „CE” jelöléssel vannak ellátva, ezáltal megfelelnek a következő irányelvekben foglalt harmonizált európai szabványoknak: 2014/30/EU (EMC-irányelv), 2011/65/EU (RoHS-irányelv).



2012/19/EU (WEEE-irányelv): Az ezzel a jelzéssel ellátott termékeket nem lehet szelektálatlan kommunális hulladékként elhelyezni az Európai Unióban. A megfelelő újrahasznosítás érdekében vigye vissza ezt a terméket helyi beszállítójához, amikor új, egyenértékű berendezést vásárol, vagy adja le a kijelölt gyűjtőhelyeken. További információk: www.recyclethis.info



A 2006/66/EK irányelv, valamint 2013/56/EU számú módosítása (akkumulátorokra vonatkozó irányelv): Ez a termék olyan elemet tartalmaz, amelyet nem lehet szelektálatlan kommunális hulladékként elhelyezni az Európai Unióban. A kérdődokumentációban további információkat talál az elemről. Az elem ezzel a jelzéssel van ellátva. A jelzésen megtalálhatók lehetnek a kadmiumot (Cd), ólmot (Pb) vagy higanyt (Hg) jelző betűjelek. A megfelelő újrahasznosítás érdekében vigye vissza ezt a terméket a beszállítójához, vagy vigye egy kijelölt gyűjtőhelyre. További információért keresse fel az alábbi honlapot: www.recyclethis.info.

Biztonsági utasítások

Ezen utasítások célja annak biztosítása, hogy a felhasználó a terméket megfelelően tudja használni veszély vagy vegyi veszteség elkerülése érdekében.

Törvények és szabályok

Az eszközt a helyi törvények, elektromos biztonsági és tűzvédelmi előírások betartásával kell használni.

Szállítás

- Szállítás alkalmával tartsa a terméket az eredeti vagy ahhoz hasonló csomagolásban.
- Minden csomagolóanyagot őrizzen meg a későbbi felhasználás érdekében. Hiba esetén az eredeti csomagolásában kell a készüléket visszaküldenie a gyártónak.
- Az eredeti csomagolástól eltérő csomagolás a termék sérülését okozhatja. A vállalat ez esetben nem vállal semmilyen felelősséget.
- Ne ejtse le és ne tegye ki ütődésnek a készüléket. Az eszközt tartsa távol a mágneses interferenciától.

Tápellátás

- Kérjük, a töltőt vásárolja meg külön. A betemeti feszültségnek meg kell felelnie a korlátozott áramforrásokra vonatkozó előírásoknak (48 V DC), az IEC62368 szabvány szerint. A részletes információkért olvassa el a műszaki adatokat.
- Ellenőrizze, hogy a tápcsatlakozó stabilan van-e csatlakoztatva a konnektorhoz.
- A hálózati aljzatot a készülék közelében kell felszerelni, és az aljzatnak könnyen hozzáférhetőnek kell lennie.
- NE csatlakoztasson több készüléket egy hálózati adapterre, hogy elkerülje a túlterhelés okozta tüleplegedést vagy tűzveszélyt.
- NE érintse meg a betemeti nyílás csupasz fém érintkezőit a megszakító kikapcsolása után. Még lehet bennük áram.
- A + a berendezés áramot fogadó vagy leadó pozitív érintkezőjét jelöli. A - a berendezés áramot fogadó vagy leadó negatív érintkezőjét jelöli.

- Ügyeljen a váltakozóáramú hálózati feszültségforráshoz csatlakozó érintkezők megfelelő bekötésére.

Akkumulátor

- Az akkumulátor nem megfelelő típusúra cserélése robbanásveszélyt idézhet elő. A használt akkumulátorok hulladékkezelésekor kövesse az utasításokat.
- A beépített akkumulátor nem vehető ki. Kérjük, forduljon a gyártóhoz, ha javítás szükséges.
- Az akkumulátor hosszú távú tárolásakor az akkumulátor minőségének biztosítása érdekében ellenőrizze fél évente, hogy az teljesen fel van-e töltve. Ellenkező esetben rongálódás következhet be.
- Ez a készülék nem használható olyan helyen, ahol gyermekek lehetnek jelen.
- Az akkumulátor nem megfelelő típusúval történő helyettesítése hatástalanná teheti egy biztonsági berendezést (például bizonyos típusú lítiumion-akkumulátorok esetében).
- Az akkumulátort tűzbe vagy forró sütőbe tenni, illetve az akkumulátort összezsúzni vagy felválni, mert ez robbanást okozhat.
- Tilos az akkumulátort rendkívül magas környezeti hőmérsékletnek kitenni, mert ez robbanást, illetve gyúlékony folyadék vagy gáz szivárgását idézheti elő.
- Tilos az akkumulátort rendkívül alacsony légnyomásnak kitenni, mert ez robbanást, illetve gyúlékony folyadék vagy gáz szivárgását okozhatja.

Telepítés

- Soha ne helyezze a berendezést instabil helyre. A berendezés leeshet, ami súlyos vagy akár halálos sérülést okozhat.
- Ez a készülék kizárólag a megfelelő rögzítőelemekkel használható. Az ettől eltérő eszközökkel (kocsi, állvány, vagy tartó) történő használat instabil rögzítést, és emiatt sérülésveszélyt okozhat.

Rendszerezettség

- Ön elfogadja, hogy az Internet természeténél fogva biztonsági kockázatokat rejt, és vállalatunk nem vállal felelősséget a rendellenes működésért, az adatszivárgásért vagy más olyan károkért, amelyek kibertámadásból, hackertámadásból erednek; vállalatunk azonban szükség esetén időben műszaki támogatást nyújt.
- Tekintve, hogy a készülék az internetre csatlakozva hálózati biztonsági kockázatoknak lehet kitéve, gondoskodjon a személyes adatok védelméről és az adatbiztonságról. Ha a készülék hálózati biztonsági kockázatnak lehet kitéve, forduljon hozzánk.
- Ne feledje, hogy az Ön felelőssége az eszközöz kapcsolódó összes jelszó és egyéb biztonsági beállítás megadása, valamint felhasználónevének és jelszavának biztonságos megőrzése.

Karbantartás

- Ha a termék nem működik megfelelően, forduljon a kereskedőjéhez vagy a legközelebbi szervizközpontjához. Nem vállalunk felelősséget az illetéktelen javításból vagy karbantartásból eredő károkról.
- A készülék néhány alkatrésze (pl. elektrolit kondenzátor) rendszeres cserét igényel. Ezek átlagos élettartama változó, ezért időszakonkénti ellenőrzés ajánlott. Részletekért forduljon a kereskedőjéhez.
- Törölje le a készüléket egy tiszta ruhával és kis mennyiségű etanolal, ha szükséges.
- Ha a készülék nem a gyártó által meghatározott módon használja, a védelem szintje csökkenhet.
- A tűzveszély csökkentése érdekében csak azonos típusú és névleges értékű csereszabotot használjon.
- A készülék soros portja kizárólag hibakeresésre szolgál.

• Szervizelés alatt válassza le a tápellátást.

Használati környezet

- Bizonyosodjon meg, hogy a használati környezet megfelel a készülék előírásainak. Az üzemi hőmérsékletnek -40°C és 70°C (-40°F és 158°F) közé kell esnie, az üzemi páratartalom pedig nem haladhatja meg a 95%-ot (nem lecsapódó).
- NE TEGYE ki a készüléket erős elektromágneses sugárzásnak vagy poros környezetnek.
- NE IRÁNYÍTSA az objektívet a Nap vagy más erős fényforrás irányába.
- A készüléket védeni kell csöpögő vagy fröccsenő víz és folyadékok ellen. Ne helyezzen vizet tartalmazó edényt, tárgyat, pl. vizát a tetejére.
- Tilos a készüléken nyílt lángforrást, pl. gyertyát elhelyezni.
- Speciális elhelyezés (pl. hegytető, vastorony, erdő) esetén a berendezés bemeneti nyílásánál alkalmazzon túláramvédőt.
- A kábelzommal ellátott alkatrészek megérintése esetén az ujjak égési sérülésének veszélye áll fenn.

▲ Ezeknek a részeknek a megérintése előtt várjon

fél órát a készülék kikapcsolását követően.

Vészhelyzet


- Ha a készülék füstöt, furcsa szagot vagy zajt bocsát ki, azonnal kikapcsolja ki, húzza ki a tápkábelt, majd forduljon a szervizközpontoz.

A gyártó címe

No.555 Qianmo Road, Binjiang District, Hangzhou 310052, China
Hangzhou Hikvision Digital Technology Co., Ltd.

MEGFELÉLŐSÉGI MEGJEGYZÉS: A termográfias sorozat termékeire exportszabályozás vonatkozik különböző régiókban és országokban, pl. az Egyesült Államokban, az Európai Unióban, az Egyesült Királyságban és/vagy a wassenaari egyezmény más tagországaiiban. Ha a termográfias sorozat termékeit különböző országok közt szeretné szállítani, exportálni vagy újraexportálni, tájékozódjon a szükséges exportengedélyekről és követelményekről egy jogi vagy megfelelőségi szakértőnél, vagy a helyi hatóságoknál.

Polski

 Rysunki przedstawiające wygląd produktu służą wyłącznie do celów referencyjnych i mogą różnić się od rzeczywistego wyglądu urządzenia.

Elementy urządzenia (str. 2 – A)

Dostępne są dwa modele sferycznych termowizyjnych systemów pozycjonowania. Skorzystaj z dokumentacji danego urządzenia.

Opis przewodów (str. 2 – B)

1. RS-485
2. Przewód sieciowy: podłącz przewód do złącza sieciowego.
3. BNC: podłączanie przewodu wideo.
4. Przewód alarmowy: połącz wejście ALARM-IN ze złączem masy (GND) i wyjście ALARM-OUT ze złączem ALARM-COM.
5. Przewód wejściowy zasilania: umożliwiał podłączenie zasilania 48 V DC.

Instalowanie kamery (str. 3 – C)

Procedura instalacji jest identyczna w przypadku obu modeli kamer. Poniżej omówiono instalację kamery typu II.

Procedura:

1. Przenieś urządzenie do odpowiedniej lokalizacji, korzystając z jednej z poniższych metod.
 - a) Wyjmij gumowe zatyczki z górnego panelu obudowy urządzenia, zamocuj w otworach pierścienie do podnoszenia, a następnie przenieś urządzenie do odpowiedniej lokalizacji przy użyciu dźwigni lub dźwigu.
 - b) Wyjmij gumowe zatyczki z podstawy urządzenia, zamocuj w otworach drążki do przenoszenia, a następnie podnieś urządzenie i przenieś je do odpowiedniej lokalizacji.
2. Wywierć sześć otworów we wsporniku zgodnie z jego wymiarami.
3. Przymocuj urządzenie do uchwytu sześcioma śrubami M10 x 50.
4. Wyjmij poziomy bolec ustalający i obróć go o 90° zgodnie z kierunkiem ruchu wskazówek zegara, aby odblokować urządzenie. Dźwięk „kliknięcia” potwierdza prawidłowe wykonanie tej operacji.
5. Usuń pierścienie i drążki do podnoszenia i zainstaluj zatyczki gumowe.
6. Pokryj śruby żelem antykorozyjnym.

Instalowanie modułu zasilania (str. 4 – D)

Przed rozpoczęciem instalacji przygotuj płytę

montażową i umieść ją w wymaganej lokalizacji.

Metoda I: Instalacja pionowa

Procedura:

1. Wywierć cztery otwory o średnicy 6,5 mm w płycie montażowej (zob. D – I – ①).
2. Wkręć śruby M6 w płytę montażową. Zachowaj odstęp co najmniej 5 mm między łbami śrub a płytą montażową.
3. Ustaw cztery większe otwory w panelu tylnym obudowy modułu zasilania zgodnie z czterema śrubami, obniż moduł, aby zawiesić go na płycie montażowej, a następnie dokręć śruby w celu przymocowania modułu.
4. Usuń osłonę wodoszczelną i podłącz przewody.

Metoda II: Instalacja pozioma

Procedura:

1. Wywierć cztery otwory o średnicy 6,5 mm w płycie montażowej zgodnie (zob. D – I – ①).
2. Przymocuj moduł zasilania do płyty montażowej czterema śrubami M6.

Metoda z zapewnieniem wodoszczelności (str. 6 – E)

1. Zainstaluj wodoszczelną osłonę przewodu sieciowego.
2. Zabezpiecz złącza, wtyczki i nieużywane przewody taśmą wodoodporną.

Wyjście alarmowe (str. 6 – F)

- ① Wyjście przekaźnikowe
- ② Obciążenie DC
- ③ Zasilanie
- ④ Przełącznik JQC-3FG

Zabezpieczenia (str. 7 – G – 1)

Aktywacja i dostęp do kamery sieciowej (str. 7 – G – 2)

Podręcznik użytkownika



©2022 Hangzhou Hikvision Digital Technology Co., Ltd. Wszelkie prawa zastrzeżone.

Opis podręcznika

Podręcznik zawiera instrukcje dotyczące korzystania z produktu i obchodzenia się z nim. Zdjęcia, rysunki, wykresy i pozostałe informacje zamieszczono w tym dokumencie wyłącznie dla celów informacyjnych i opisowych. Informacje zamieszczone w podręczniku mogą ulec zmianie bez powiadomienia w związku z aktualizacjami oprogramowania układowego lub w innych okolicznościach. Najnowsza wersja tego podręcznika jest dostępna w witrynie internetowej firmy Hikvision (<https://www.hikvision.com/>).

Oprócz tego podręcznika należy korzystać z porad specjalistów z działu pomocy technicznej związanej z produktem.

Znaki towarowe

HIKVISION oraz inne znaki towarowe i logo Hikvision są własnością firmy Hikvision w różnych jurysdykcjach.

Inne znaki towarowe i logo użyte w podręczniku należą do odpowiednich właścicieli.

ZASTRZEŻENIA PRAWNE

W PEŁNYM ZAKRESIE DOWOLONYM PRZEZ OBOWIĄZUJĄCE PRAWO TEN PODRĘCZNIK, OPISANY PRODUKT I ZWIĄZANE Z NIIM WYPOSAŻENIE ORAZ OPROGRAMOWANIE APLIKACYJNE I UKŁADOWE SĄ UDOSTĘPNIANE BEZ GWARANCJI. FIRMA HIKVISION NIĘ UDZIELA ŻADNYCH WYRAŹNYCH ANI DOROZUMIANYCH GWARANCJI, TAKICH JAK GWARANCJE DOTYCZĄCE PRZYDATNOŚCI HANDLOWEJ, JAKOŚCI LUB PRZYDATNOŚCI DO OKREŚLONEGO CELU. UŻYTKOWNIK KORZYSTA Z PRODUKTU NA WŁASNE RYZYKIO.

NIEZALEŻNIE OD OKOLICZNOŚCI FIRMA HIKVISION NIE PONOSI ODPOWIEDZIALNOŚCI ZA STRATY SPECJALNE, NASTĘPCZE, UBOCZNE LUB POŚREDNIE, TAKIE JAK STRATA OCZEKIWANYCH ZYSKÓW Z DZIAŁALNOŚCI BIZNESOWEJ, PRZERWY W DZIAŁALNOŚCI BIZNESOWEJ, USZKODZENIE SYSTEMÓW ALBO STRATA DANYCH LUB DOKUMENTACJI, WYNIKAJĄCE Z NARUSZENIA UMOWY, PRZEWINIENIA (ŁĄCZNIE Z ZANIEDBANIEM), ODPOWIEDZIALNOŚCI ZA PRODUKT LUB INNYCH OKOLICZNOŚCI, ZWIĄZANE Z UŻYCIEM TEGO PRODUKTU, NAWET JEŻELI FIRMA HIKVISION ZOSTAŁA POINFORMOWANA O MOŻLIWOŚCI WYSTĄPIENIA TAKICH SZKÓD LUB STRAT.

UŻYTKOWNIK PRZYJMUJE DO WIADOMOŚCI, ŻE KORZYSTANIE Z INTERNETU JEST ZWIĄZANE Z ZAGROŻENIAMI DLA BEZPIECZEŃSTWA, A FIRMA HIKVISION NIE PONOSI ODPOWIEDZIALNOŚCI ZA NIEPRAWIDŁOWE FUNKCJONOWANIE, WYCIEK POUFNYCH INFORMACJI LUB INNE SZKODY WYNIKAJĄCE Z ATAKU CYBERNETYCZNEGO, ATAKU HAKERA, DZIAŁANIA WIRUSÓW LUB INNYCH ZAGROZEŃ DLA BEZPIECZEŃSTWA W INTERNECIE. FIRMA HIKVISION ZAPEWNI JEDNAK TERMINOWĄ POMOC TECHNICZNĄ, JEŻELI BĘDZIE TO WYMAGANE.

UŻYTKOWNIK ZOBOWIĄZUJE SIĘ DO KORZYSTANIA Z PRODUKTU ZGODNIE Z PRZEPISAMI I PRZYJMUJE DO WIADOMOŚCI, ŻE JEST ZOBOWIĄZANY DO ZAPEWNIENIA ZGODNOŚCI UŻYCIA PRODUKTU Z PRZEPISAMI. W SZCZEGÓLNOŚCI UŻYTKOWNIK JEST ZOBOWIĄZANY DO KORZYSTANIA Z PRODUKTU W SPOSÓB, KTÓRY NIE NARUSZA

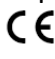
PRAW STRON TRZECICH, DOTYCZĄCYCH NA PRZYKŁAD WIZERUNKU KOMERCYJNEGO, WŁASNOŚCI INTELEKTUALNEJ LUB OCHRONY DANYCH I PRYWATNOŚCI. UŻYTKOWNIK NIE BĘDZIE UŻYWAĆ PRODUKTU DO CELÓW ZABRONIONYCH, TAKICH JAK OPRACOWANIE LUB PRODUKCJA BRONI MASOWEGO RAŻENIA ALBO BRONI CHEMICZNEJ LUB BIOLOGICZNEJ ORAZ DZIAŁANIA ZWIĄZANE Z WYBUCHOWYMI MATERIAŁAMI NUKLEARNYMI, NIEBEZPIECZNYM CYKLEM PALIWOWYM LUB ŁAMANIEM PRAW CZŁOWIEKA.

W PRZYPADKU NIEZGODNOŚCI NINIEJSZEGO PODRĘCZNIKA Z OBOWIĄZUJĄCYM PRAWEM, WYŻSZY PRIORYTET BĘDZIE MIAŁO OBOWIĄZUJĄCE PRAWO.


Informacje dotyczące przepisów

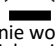
Te klauzule dotyczą tylko produktów z odpowiednimi oznaczeniami lub etykietami.


Deklaracja zgodności z dyrektywami Unii Europejskiej

 Ten produkt i jego akcesoria (jeżeli występują) oznaczono symbolem „CE” potwierdzającym zgodność

z odpowiednimi ujednoliconymi normami europejskimi, uwzględnionymi w dyrektywie 2014/30/EU dotyczącej kompatybilności elektromagnetycznej (EMC) i dyrektywie 2011/65/EU w sprawie ograniczenia stosowania niektórych niebezpiecznych substancji w sprzęcie elektrycznym i elektronicznym (RoHS).

 Dyrektywa 2012/19/EU w sprawie użytego sprzętu elektrycznego i elektronicznego (WEEE):

 Produktów oznaczonych tym symbolem nie wolno utylizować na obszarze Unii Europejskiej jako niesegregowane odpady komunalne. Aby zapewnić prawidłowy recykling tego produktu, należy zwrócić go do lokalnego dostawcy przy zakupie równoważnego nowego urządzenia lub utylizować go w wyznaczonym punkcie selektywnej zbiórki odpadów. Aby uzyskać więcej informacji, skorzystaj z następującej witryny internetowej: www.recyclethis.info

 Dyrektywa 2006/66/EC w sprawie baterii i akumulatorów i zmieniająca ją dyrektywa 2013/56/EU: Ten produkt zawiera baterię, której nie wolno utylizować na obszarze Unii Europejskiej jako niesegregowane odpady komunalne. Szczegółowe informacje dotyczące baterii zamieszczono w dokumentacji produktu. Bateria jest oznaczona tym symbolem, który może także zawierać litery wskazujące na zawartość kadmu (Cd), ołowiu (Pb) lub rtęci (Hg). Aby zapewnić prawidłowy recykling, należy zwrócić baterię do dostawcy lub przekazać ją do wyznaczonego punktu zbiórki. Aby uzyskać więcej informacji, skorzystaj z witryny internetowej: www.recyclethis.info.

Zalecenia dotyczące bezpieczeństwa

Te zalecenia pozwalają prawidłowo korzystać z produktu i uniknąć zagrożenia użytkowników lub zniszczenia wyposażenia.

Przepisy i rozporządzenia

Urządzenie powinno być użytkowane zgodnie z lokalnymi przepisami, rozporządzeniami dotyczącymi korzystania z wyposażenia elektrycznego i przepisami przeciwpożarowymi.

Transport

- Podczas transportu urządzenie powinno być umieszczone w oryginalnym lub podobnym opakowaniu.
 - Należy zachować opakowanie urządzenia. W przypadku wystąpienia usterki urządzenia należy zwrócić je do zakładu produkcyjnego w oryginalnym opakowaniu.
 - Producent nie ponosi odpowiedzialności za uszkodzenie urządzenia na skutek transportu bez oryginalnego opakowania.
 - Należy chronić urządzenie przed upadkiem lub uderami mechanicznymi. Należy chronić urządzenie przed zakłóceniami magnetycznymi.
- Zasilanie**
- Ładowarkę należy zakupić oddzielnie.
 - Napięcie wejściowe powinno spełniać wymagania dotyczące źródeł zasilania z własnym ograniczeniem (LPS; 48 V DC) zgodnie z normą IEC62368. Szczegółowe informacje zamieszczono w sekcji zawierającej dane techniczne.
 - Należy upewnić się, że wtyczka jest prawidłowo podłączona do gniazda sieci elektrycznej.
 - Gniazdo sieci elektrycznej powinno być zainstalowane w łatwo dostępnym miejscu w pobliżu urządzenia.
 - NIE wolno podłączać wielu urządzeń do jednego zasilacza, ponieważ może to spowodować przegrzanie lub zagrożenie pożarowe na skutek przeciążenia.
 - NIE wolno dotykać nieosłoniętych metalowych styków łączący wejściowych po uaktywnieniu wyłącznika automatycznego. W takiej sytuacji elementy urządzenia są wciąż pod napięciem.
 - Symbol „+” oznacza dodatnie styki prądu stałego w urządzeniu. Symbol „-” oznacza ujemne styki prądu stałego w urządzeniu.
 - Należy upewnić się, że przewody są prawidłowo podłączone do łączący sieci elektrycznej.
- Bateria**
- Zainstalowanie nieodpowiedniej baterii może spowodować wybuch. Zużyte baterie należy utylizować zgodnie z instrukcjami.
 - Wbudowana bateria nie jest przystosowana do demontażu przez użytkownika. Jeżeli konieczne jest wykonanie naprawy, należy skontaktować się z producentem.
 - Jeżeli bateria jest przechowywana przez dłuższy czas, należy naładować ją całkowicie co pół roku, aby zapewnić jej prawidłowy stan techniczny. Ignorowanie tego zalecenia może spowodować uszkodzenie.
 - Urządzenie nie powinno być używane w lokalizacjach, w których mogą przebywać dzieci.
 - Zainstalowanie nieodpowiedniej baterii może spowodować zagrożenie (dotyczy to na przykład niektórych baterii litowych).
 - Wrzucenie baterii do ognia lub rozgrzanie pieca albo zgniecenie lub przecięcie baterii może spowodować wybuch.
 - Wysoka temperatura w otoczeniu może spowodować wybuch baterii albo wyciek palnej cieczy lub gazu.
 - Ekstremalnie niskie ciśnienie powietrza w otoczeniu może spowodować wybuch baterii albo wyciek palnej cieczy lub gazu.
- Instalacja**
- Nie wolno instalować urządzenia na niestabilnym podłożu. Urządzenie może упаść i spowodować poważne zranienie lub zgon.
 - To urządzenie powinno być używane wyłącznie z odpowiednimi uchwytyami. Użycie innych uchwytów (wózków lub statyw) może spowodować zranienie na skutek niestabilności urządzenia.

Zabezpieczenia systemu

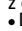
- Użytkownik przyjmuje do wiadomości, że korzystanie z Internetu jest związane

- z zagrożeniami dla bezpieczeństwa, a nasza firma nie ponosi odpowiedzialności za nieprawidłowe funkcjonowanie, nieautoryzowane ujawnienie poufnych informacji lub inne szkody wynikające z ataku cybernetycznego lub ataku hakera. Nasza firma zapewni jednak terminową pomoc techniczną, jeżeli będzie to wymagane.
- Należy chronić dane osobowe po połączeniu urządzenia z Internetem. Jeżeli występują zagrożenia urządzenia w sieci, należy skontaktować się z producentem.
- Użytkownik jest zobowiązany do skonfigurowania wszystkich hasel i ustawień zabezpieczeń urządzenia oraz ochrony własnej nazwy użytkownika i hasła.

Konserwacja

- Jeżeli produkt nie działa prawidłowo, skontaktuj się z dystrybutorem lub najbliższym centrum serwisowym. Producent nie ponosi odpowiedzialności za problemy spowodowane przez nieautoryzowane prace naprawcze lub konserwacyjne.
- Konieczna jest regularna wymiana kilku podzespołów urządzenia (np. kondensatora elektrolitycznego). Przeciętny okres użytkowania może być różny, dlatego zalecane jest regularne sprawdzanie stanu technicznego podzespołów. Aby uzyskać więcej informacji, należy skontaktować się z dystrybutorem.
- Należy przetrzeć urządzenie ostrożnie czystą ściereczką zwilżoną niewielką ilością etanolu, jeżeli jest to konieczne.
- Użycie urządzenia niezgodnie z zaleceniami może spowodować anulowanie gwarancji producenta.
- Aby ograniczyć zagrożenie pożarowe, należy używać bezpieczników tego samego typu i o takich samych parametrach znamionowych.
- Złazce szeregowe urządzenia jest używane wyłącznie do debugowania.
- Podczas wykonywania prac serwisowych zasilanie musi być odłączone.

Warunki otoczenia

- Należy upewnić się, że warunki otoczenia spełniają wymagania określone przez producenta urządzenia. Podczas użytkowania urządzenia temperatura otoczenia powinna wynosić od -40°C do 70°C, a wilgotność nie powinna przekraczać 95% (bez kondensacji).
 - Należy chronić urządzenie przed silnym promieniowaniem elektromagnetycznym oraz kurzem i pyłem.
 - NIE wolno kierować obiektywu w stronę słońca ani innego źródła intensywnego światła.
 - Nie wolno dopuścić do rozlania cieczy na urządzenie. Nie wolno ustawiać na urządzeniu naczyń napełnionych cieczą, takich jak wazon.
 - Nie wolno umieszczać na urządzeniu źródeł nieosłoniętego płomienia, takich jak zapalone świece.
 - Należy zapewnić tłumienie uderów elektrycznych przy otwarciu urządzenia w specjalnych warunkach takich jak szczyt wzgórza, wieża z elementów stalowych lub las.
 - Dotknięcie gorących podzespołów, oznaczonych symbolem , może spowodować oparzenie palców. Po wyłączeniu zasilania należy odczekać pół godziny przed dotknięciem podzespołów urządzenia.
- Poważne awarie**
- Jeżeli urządzenie wydziela dym lub intensywny zapach albo emituje hałas, należy niezwłocznie wyłączyć zasilanie i odłączyć przewód zasilający, a następnie skontaktować się z centrum serwisowym.
- Adres producenta**
 No.555 Qianmo Road, Binjiang District, Hangzhou 310052, China
 Hangzhou Hikvision Digital Technology Co., Ltd.

UWAGA DOTYCZĄCA ZGODNOŚCI Z PRZEPISAMI:
Produkty termowizyjne mogą podlegać kontroli eksportu w różnych krajach lub regionach, takich jak Stany Zjednoczone, Wielka Brytania lub kraje członkowskie Unii Europejskiej, które sygnowały porozumienie Wassenaar.

Jeżeli planowane jest przesyłanie, eksportowanie lub reeksportowanie produktów termowizyjnych przez granice państw, należy skonsultować się z ekspertem w dziedzinie prawa lub zgodności z przepisami albo lokalnymi urzędami administracji państwowej, aby uzyskać informacje dotyczące wymaganej licencji eksportowej.

Română



Aspectul produsului este doar de referință și poate varia de produsul real.

Aspect (Pagina 2 - A)

Există două tipuri de sisteme de poziționare a sferei termice. Vă rugăm să luați dispozitivul real ca referință.

Descriere cablu (Pagina 2 — B)

1. RS-485
2. Cablu de rețea: Conectați interfața de rețea cu un cablu de rețea.
3. BNC: Conectați interfața video.
4. Cablu de alarmă: Conectați terminalul INTRARE ALARMĂ cu terminalul GND și conectați terminalul IEȘIRE ALARMĂ și terminalul COM ALARMĂ.
5. Cablu putere de intrare: Acceptă o sursă de alimentare de 48 VDC.

Instalarea camerei (Pagina 3 - C)

Etapela de instalare a celor două tipuri de camere sunt aceleași. Iată un exemplu de instalare a unei camere de tip II.

Etape:

1. Montați dispozitivul în locația specificată în oricare dintre următoarele moduri.
 - a) Scoateți dopurile de cauciuc din partea superioară a dispozitivului, introduceți și fixați inelele detașabile în găuri și deplasați dispozitivul în locul specificat cu o pârghie sau o macara.
 - b) Scoateți dopurile de cauciuc de pe baza dispozitivului, introduceți și fixați stâlpii susținători al dispozitivului portabil în găuri, apoi ridicăți și deplasați dispozitivul în locația specificată.
2. Faceți șase găuri pe suport în funcție de dimensiunea suportului.
3. Scoateți șase șuruburi M10 x 50 și fixați dispozitivul pe suport cu ajutorul șuruburilor.
4. Trageți știftul de poziționare orizontală în sus și rotiți știftul de poziționare cu 90° în sensul acelor de ceasornic pentru a debloca dispozitivul. Puteți auzi un clic dacă operațiunea a reușit.
5. Scoateți inelele detașabile și stâlpii susținători portabili și introduceți înapoi dopurile de cauciuc.
6. Aplicați gelul anticoroziv pe șuruburi.

Instalare cutia de alimentare (Pagina 4 - D)

Înainte de a începe instalarea, pregătiți de sine stătător un panou de instalare și fixați-l în locul necesar.

Metoda I: Instalare verticală

Etape:

1. Faceți patru găuri de ϕ 6,5 mm pe panoul de instalare conform instrucțiunilor de la D - I - ①.
2. Înșurubați patru șuruburi M6 în panoul de instalare. Lăsați un spațiu de cel puțin 5 mm între capul de șurub și panoul de instalare.
3. Aliniați cele patru găuri mai mari de pe panoul din spate al cutiei de alimentare cu cele patru șuruburi, deplasați cutia de alimentare în jos pentru a o agăța pe panoul de instalare și strângeți șuruburile pentru a fixa cutia de alimentare.

4. Îndepărtați capacele impermeabile și conectați cablurile corespunzătoare.

Metoda II: Instalare orizontală

Etape:

1. Faceți patru găuri de ϕ 6,5 mm pe panoul de instalare conform instrucțiunilor (așa cum se arată în D - I - ①).
2. Fixați cutia de alimentare pe panoul de instalare cu patru șuruburi M6.

Metoda impermeabilă (Pagina 6 — E)

1. Instalați mantaua impermeabilă a cablului de rețea.
2. Utilizați banda impermeabilă furnizată pentru a proteja conectorii de cabluri și cablurile neutilizate.

Ieșire alarmă (Pagina 6 — F)

- ① Ieșire releu
- ② Sarcină c.c.
- ③ Sursă de alimentare
- ④ Releu JQC-3FG

Măsurile de protecție (Pagina 7 - G - 1)

Activarea și accesarea camerei de rețea (Pagina 7 - G - 2)

Manual de utilizare



©2022 Hangzhou Hikvision Digital Technology Co., Ltd. Toate drepturile rezervate.

Despre acest manual

Manualul include instrucțiuni de utilizare și gestionare a produsului. Fotografii, diagramele, imaginile și toate celelalte informații de mai jos sunt doar pentru descriere și explicații.

Informațiile conținute în acest manual pot fi modificate, fără notificare prealabilă, din cauza actualizărilor firmware-ului sau din alte motive. Vă rugăm să găsiți cea mai recentă versiune a acestui manual pe site-ul web Hikvision (<https://www.hikvision.com/>).

Vă rugăm să folosiți acest manual sub îndrumarea și cu asistența unor profesioniști instruiți în domeniul asistenței pentru produs.

Mărci comerciale

HIKVISION și alte mărci comerciale și logo-uri Hikvision sunt proprietatea Hikvision în diferite jurisdicții.

Alte mărci comerciale și logo-uri menționate sunt proprietatea proprietarilor respectivi.

PRECIZĂRI LEGALE

ÎN MĂSURA MAXIMĂ PERMISĂ DE LEGEA APLICABILĂ, ACEST MANUAL ȘI PRODUSUL DESCRIS, CU HARDWARE-UL, SOFTWARE-UL ȘI FIRMWARE-UL SAU, SUNT FURNIZATE "CA ATARE" ȘI "CU TOATE DEFECTELE ȘI ERORILE". HIKVISION NU OFERĂ NICIO GARANȚIE, EXPRESĂ SAU IMPLICITĂ, INCLUSIV, DAR FĂRĂ A SE LIMITA LA, COMERCIALIZAREA, CALITATEA SATISFĂCĂTOARE SAU ADECVAREA LA UN ANUMIT SCOP.

UTILIZAREA PRODUSULUI DE CĂTRE DVS. ESTE PE PROPRIUL RISC. ÎN NICI UN CAZ HIKVISION NU VA FI RESPONSABIL FAȚĂ DE DVS. PENTRU ORICE DAUNE SPECIALE, CONSECVENTE, ACCIDENTALE SAU INDIRECTE, INCLUSIV, PRINȚRE ALTELE, DAUNE PENTRU PIERDEREA PROFITURILOR DIN AFACERI, ÎNȚRRUPEREA ACTIVITĂȚII SAU PIERDEREA DATELOR, CORUPȚIA SISTEMELOR SAU PIERDEREA DOCUMENTAȚIEI, FIE CĂ SE BAZEAZĂ PE ÎNCĂLCAREA CONTRACTULUI, DELICT (INCLUSIV NEGLIENȚĂ), RĂSPUNDEREA PRODUSULUI SAU ÎN ALT MOD, ÎN LEGĂTURĂ CU UTILIZAREA PRODUSULUI, CHIAR DACĂ HIKVISION A FOST INFORMAT CU PRIVIRE LA POSIBILITATEA UNOR ASTFEL DE DAUNE SAU PIERDERI.

RECUNOAȘTEȚI CĂ NATURA INTERNETULUI IMPLICĂ RISCURI DE SECURITATE INERENTE, IAR HIKVISION NU ÎȘI ASUMĂ NICIO RESPONSABILITATE PENTRU FUNCȚIONAREA ANORMALĂ, SCURGEREA DE INFORMAȚII PRIVATE SAU ALTE DAUNE REZULTATE DIN ATACURI CIBERNETICE, ATACURI ALE HACKERILOR, INFECȚII CU VIRUȘI SAU ALTE RISCURI DE SECURITATE PE INTERNET; CU TOATE ACESTEA, HIKVISION VA OFERI ASISTENȚĂ TEHNICĂ ÎN TIMP UTIL, DACĂ ESTE NECESAR.

SUNTEȚI DE ACORD SĂ UTILIZAȚI ACEST PRODUS ÎN CONFORMITATE CU TOATE LEGILE APLICABILE ȘI SUNTEȚI SINGURUL RESPONSABIL PENTRU A VĂ AȘIGURA CĂ UTILIZAREA DVS. ESTE CONFORMĂ CU LEGEA APLICABILĂ. ÎN SPECIAL, SUNTEȚI RESPONSABIL PENTRU UTILIZAREA ACESTUI PRODUS ÎNTR-UN MOD CARE SĂ NU ÎNCALCE DREPTURILE TERȚILOR, INCLUSIV, DAR FĂRĂ A SE LIMITA LA ACEȘTEA, DREPTURILE DE PUBLICITATE, DREPTURILE DE PROPRIETATE INTELLECTUALĂ SAU PROTECȚIA DATELOR ȘI ALTE DREPTURI DE CONFIDENȚIALITATE. NU VEȚI UTILIZA ACEȘTE PRODUS PENTRU NICIO UTILIZARE FINALĂ INTERZISĂ, INCLUSIV PENTRU DEZVOLTAREA SAU PRODUCEREA DE ARME DE DISTRUGERE ÎN MASĂ, DEZVOLTAREA SAU PRODUCEREA DE ARME CHIMICE SAU BIOLOGICE, ORICE ACTIVITĂȚI ÎN CONTEXTUL LEGĂT DE ORICE EXPLOZIV NUCLEAR SAU DE UN CICLU DE COMBUSTIBIL NUCLEAR NESIGUR SAU ÎN SPRIJINUL ÎNCĂLCĂRII DREPTURILOR OMULUI.

ÎN CAZUL UNOR CONFLICTE ÎNTRE PREZENTUL MANUAL ȘI LEGISLAȚIA APLICABILĂ, PREVALEAZĂ ACEASTA DIN URMĂ.

Informații de reglementare

Aceste clauze se aplică numai produselor care poartă marca sau informațiile corespunzătoare.

Declarația de conformitate UE

CE Acest produs și - dacă este cazul - și accesoriile furnizate sunt marcate cu "CE" și, prin urmare, sunt conforme cu standardele europene armonizate aplicabile enumerate în Directiva EMC 2014/30/UE, Directiva RoHS 2011/65/UE.



2012/19/UE (Directiva WEEE): Produsele marcate cu acest simbol nu pot fi eliminate ca deșeuri municipale nesortate în Uniunea Europeană. Pentru o reciclare corespunzătoare, returnați acest produs furnizorului local la achiziționarea unui echipament nou echivalent sau aruncați-l la punctele de colectare desemnate. Pentru mai multe informații, consultați: www.recyclethis.info



2006/66/CE și amendamentul său 2013/56/UE (directiva privind bateriile): Acest produs conține o baterie care nu poate fi eliminată ca deșeu municipal nesortat în Uniunea Europeană. Consultați documentația produsului pentru informații specifice despre baterii. Bateria este marcată cu acest simbol, care poate include litere pentru a indica cadmiu (Cd), plumb (Pb) sau mercur (Hg). Pentru o reciclare corespunzătoare, returnați bateria furnizorului dvs. sau la un punct de colectare desemnat. Pentru mai multe informații, consultați: www.recyclethis.info.

Instrucțiuni de siguranță

Aceste instrucțiuni au scopul de a se asigura că utilizatorul poate utiliza produsul în mod corect pentru a evita pericolele sau pierderile materiale.

Legi și reglementări

Dispozitivul trebuie utilizat în conformitate cu legile locale, reglementările privind siguranța electrică și reglementările privind prevenirea incendiilor.

Transportare

- Păstrați dispozitivul în ambalaje originale sau similare în timp ce îl transportați.
- Păstrați toate ambalajele după ce le despachetați pentru utilizare ulterioară. În cazul în care apare vreodată defecțiune, trebuie să returnați dispozitivul la fabrică cu ambalajul original.
- Transportul fără ambalajul original poate duce la deteriorarea dispozitivului, iar compania nu își asumă nicio responsabilitate.
- Nu scăpați produsul și nu îl supuneți la șocuri fizice. Păstrați dispozitivul departe de interfața magnetică.

Sursa de alimentare

- Vă rugăm să achiziționați încărcătorul de sine stătător. Tensiunea de intrare trebuie să respecte sursa de alimentare limitată (48 VDC) conform standardului IEC62368. Vă rugăm să consultați specificațiile tehnice pentru informații detaliate.
- Asigurați-vă că ștecherul este conectat corect la priză de curent.
- Priza de curent trebuie să fie instalată în apropierea echipamentului și trebuie să fie ușor accesibilă.
- NU conectați mai multe dispozitive la un singur adaptor de alimentare, pentru a evita supraîncălzirea sau pericolele de incendiu cauzate de suprasarcină.
- NU atingeți contactele metalice goale ale prizelor după ce întrerupătorul de circuit este oprit. Electricitatea mai este prezentă.
- + identifică terminalul (terminalele) pozitiv(e) al(e) echipamentului care este utilizat cu curent continuu sau care generează curent continuu. - identifică terminalul (terminalele) negativ(e) al(e) echipamentului care este utilizat cu curent continuu sau care generează curent continuu.
- Asigurați-vă că terminalele sunt cablate corect pentru conectarea la o rețea de alimentare cu curent alternativ.

Baterie

- Risc de explozie dacă bateria este înlocuită cu una de tip incorect. Aruncați bateriile uzate în conformitate cu instrucțiunile.

- Bateria încorporată nu poate fi demontată. Vă rugăm să contactați producătorul pentru reparații, dacă este necesar.
- Pentru depozitarea pe termen lung a bateriei, asigurați-vă că aceasta este încărcată complet la fiecare jumătate de an pentru a asigura calitatea bateriei. În caz contrar, se pot produce daune.
- Acest echipament nu este adecvat pentru utilizarea în locații în care este posibil să fie prezenți copii.
- Înlocuirea necorespunzătoare a bateriei cu un tip incorect poate anula o protecție (de exemplu, în cazul unor tipuri de baterii cu litiu).
- NU aruncați bateria în foc sau într-un cuptor încins și nici nu zdrobiți sau tăiați mecanic bateria, ceea ce poate duce la o explozie.
- NU lăsați bateria într-un mediu înconjurător cu temperaturi extrem de ridicate, ceea ce poate duce la o explozie sau la scurgerea de lichid sau gaz inflamabil.
- NU supuneți bateria la o presiune extrem de scăzută a aerului, care poate duce la o explozie sau la scurgerea de lichid sau gaz inflamabil.

Instalare

- Nu așezați niciodată echipamentul într-un loc instabil. Echipamentul poate cădea, provocând vătămări corporale grave sau chiar moartea.
- Acest echipament este destinat utilizării numai cu suporturile corespunzătoare. Utilizarea cu alte suporturi (cărucioare, standuri sau suporturi) poate duce la instabilitate și poate provoca vătămări.

Securitatea sistemului

- Recunoașteți că natura internetului implică riscuri de securitate inerente, iar compania noastră nu își asumă nicio responsabilitate pentru funcționarea anormală, scurgerea de informații private sau alte daune rezultate în urma unui atac cibernetic sau a unui atac al hackerilor; cu toate acestea, compania noastră vă oferă asistență tehnică în timp util, dacă este necesar.
- Vă rugăm să asigurați protecția informațiilor personale și securitatea datelor, deoarece dispozitivul se poate confrunta cu probleme de securitate a rețelei atunci când este conectat la internet. Vă rugăm să nu contactați în cazul în care dispozitivul ar putea prezenta riscuri de securitate a rețelei.
- Vă rugăm să înțelegeți că aveți responsabilitatea de a configura toate parolele și alte setări de securitate ale dispozitivului și de a vă păstra numele de utilizator și parola.

Întreținere

- În cazul în care produsul nu funcționează corect, vă rugăm să contactați distribuitorul sau cel mai apropiat centru de service. Nu ne asumăm nicio responsabilitate pentru problemele cauzate de reparații sau întreținere neautorizate.
- Câteva componente ale dispozitivului (de

- exemplu, condensatorul electrolitic) necesită înlocuire periodică. Durata medie de viață variază, așa că se recomandă o verificare periodică. Contactați distribuitorul pentru detalii.
- Ștergeți ușor dispozitivul cu o cârpă curată și o cantitate mică de etanol, dacă este necesar.
- În cazul în care echipamentul este utilizat într-un mod care nu este specificat de producător, protecția oferită de dispozitiv poate fi afectată.
- Pentru a reduce riscul de incendiu, înlocuiți numai cu același tip și rating de siguranță.
- Portul serial al echipamentului este utilizat pentru numai pentru depanare.
- Deconectați sursa de alimentare în timpul întreținerii.

Utilizare mediu

- Asigurați-vă că mediul de funcționare corespunde cerințelor dispozitivului. Temperatura de funcționare trebuie să fie cuprinsă între -40°C și 70°C (-40°F și 158°F), iar umiditatea de funcționare trebuie să fie de 95% sau mai mică, fără condensare.
- NU expuneți dispozitivul la radiații electromagnetice puternice sau în medii cu prof.
- NU îndreptați obiectivul spre soare sau spre orice altă lumină puternică.
- Echipamentul nu trebuie să fie expus la picurare sau stropire și nu trebuie să fie așezate pe el obiecte pline cu lichide, cum ar fi vase.
- Nu trebuie plasate pe echipament surse de flacără goală, cum ar fi lumânările aprinse.
- Furnizați un supresor de supratensiune la deschiderea de admisie a echipamentului în condiții speciale, cum ar fi vârful muntelui, turnul de fier și pădurea.
- Arderea degetelor la manipularea pieselor cu simbolul ⚠. Așteptați o jumătate de oră după deconectare înainte de a manipula piesele.

Urgență

- Dacă apare fum, mirosuri sau zgomote, opriți imediat dispozitivul, scoateți cablul de alimentare din priză și contactați centrul de service.

Adresa de fabricație

No.555 Qianmo Road, Binjiang District, Hangzhou 310052, China
Hangzhou Hikvision Digital Technology Co., Ltd.

AVIZ DE CONFORMITATE: Produsele din seria termică pot face obiectul controalelor la export în diferite țări sau regiuni, inclusiv, fără a se limita la Statele Unite, Uniunea Europeană, Regatul Unit și/sau alte țări membre ale Aranjamentului Wassenaar. Vă rugăm să vă consultați cu expertul dvs. juridic sau de conformitate sau cu autoritățile guvernamentale locale pentru orice cerințe necesare privind licențele de export dacă intenționați să transferați, exportați, reexportați produsele din seria termică între diferite țări.

Slovenčina



Vzhľad produktu je len orientačný a môže sa líšiť od skutočného produktu.

Vzhľad (strana 2 – A)

Existují dva typy termografických sférických polohovacích systémov. Nasledujúci popis si porovnávajú so skutočným zariadením.

Popis kábla (strana 2 – B)

1. RS-485
2. Sieťový kábel: slúži na prepojenie sieťového rozhrania so sieťovým káblom.
3. BNC: Pripojenie rozhrania videa.
4. Kábel alarmu: slúži na prepojenie konektora ALARM-IN s konektorom GND a prepojenie konektora ALARM-OUT s konektorom

ALARM-COM.

5. Vstupný napájací kábel: Podporované napájanie 48 V DC.

Montáž kamery (strana 3 – C)

Postup montáže je rovnaký pri obidvoch typoch kamier. Nižšie uvádzame príklad montáže kamery typu II.

Postup:

1. Premiestnite zariadenie na určené miesto jedným z nasledujúcich spôsobov.
 - a) Vyberte gumené zátky, ktoré sú navrchu zariadenia, do otvorov vložte a upevnite zdvihacia krúžky a premiestnite zariadenie na určené miesto pomocou páky alebo žeriava.
 - b) Vyberte gumené zátky, ktoré sú v základni

zariadenia, do otvorov vložte a upevnite tyče na prenášanie v rukách a potom zariadenie zdvihnite a preneste na určené miesto.

2. Vyvrtajte šesť dier do konzoly podľa rozmerov konzoly.
3. Zoberte šesť skrutiek M10 x 50 a týmito skrutkami pripevnite zariadenie ku konzole.
4. Vytiahnite kolík na horizontálne polohovanie smerom nahor a otočením polohovacieho kolíka o 90° v smere hodinových ručičiek odomknite zariadenie. Ak sa vám to podarí, budete počuť klapnutie.
5. Odstráňte zdvíhacie krúžky a tyče na prenášanie v rukách a vložte gumené zátky naspäť.
6. Na skrutky naneste gél proti korózii.

Namontujte skrinku napájania (strana 4 – D)

Pred začiatkom montáže si sami pripravte montážny panel a pripevnite ho na požadované miesto.

Spôsob I: Vertikálna montáž

Postup:

1. Do montážneho panela vyvrtajte štyri diery ϕ 6,5 mm podľa pokynov na obrázku D – I – ①.
2. Do montážneho panela zaskrutkujte štyri skrutky M6. Medzi hlavou skrutky a montážnym panelom ponechajte medzeru aspoň 5 mm.
3. Štyri väčšie otvory, ktoré sa nachádzajú na zadnej strane napájacej skrinky, zarovnajte s týmito štyrmi skrutkami, posuňte napájaciu skrinku nadol tak, aby visela na montážnom paneli, a dotiahnutím skrutiek pripevnite napájaciu skrinku.
4. Zložte z príslušných káblov vodotesné kryty a pripojte ich.

Spôsob II: Horizontálna montáž

Postup:

1. Do montážneho panela vyvrtajte štyri diery ϕ 6,5 mm podľa pokynov (ako na obrázku D – I – ①).
2. Pripevnite napájaciu skrinku na montážny panel pomocou štyroch skrutiek M6.

Vodotesný spôsob (strana 6 – E)

1. Nainštalujte vodotesný plášť sieťového kábla.
2. Pomocou dodanej vodotesnej pásky zaistite káblové konektory a nepoužitie káble.

Výstup alarmu (strana 6 – F)

- ① Výstup relé
- ② Jednosmerná záťaž
- ③ Zdroj napájania
- ④ Relé JQC-3FG

Ochranné opatrenia (strana 7 – G – 1)

Aktivácia a prístup k sieťovej kamere (strana 7 – G – 2)

Návod na používanie



©2022 Hangzhou Hikvision Digital Technology Co., Ltd. Všetky práva vyhradené.

Informácie o tomto návode

Táto príručka obsahuje pokyny na používanie a správu produktu. Obrázky, grafy, náčrty

a všetky ďalšie informácie, ktoré sú v ňom uvedené, slúžia len na opis a vysvetlenie.

Informácie uvedené v návode sa môžu zmeniť bez predchádzajúceho upozornenia v dôsledku aktualizácií firmvéru alebo iných príčin. Najnovšiu verziu tohto návodu nájdete na webovej stránke spoločnosti Hikvision (<https://www.hikvision.com/>).

Používajte tento návod v súlade s pokynmi a radami odborníkov, ktorí sú vyškolení na obsluhu produktu.

Ochranné známky

HIKVISION a iné ochranné známky a logá spoločnosti Hikvision sú vlastníctvom spoločnosti Hikvision v rôznych jurisdikciách.

Iné ochranné známky a logá sú vlastníctvom príslušných majiteľov.

PREHLÁSENIE

V MAXIMÁLNOJ MOŽNOSTI ROZSAHU, AKÝ POUVOLUJÚ PRÍSLUŠNÉ PRÁVNE PREDPISY, SA TÁTO PRÍRUČKA A OPÍSANÝ PRODUKT SPOLU S JEHO HĽADVĚROM, SOFTVĚROM A FIRMVĚROM, DODÁVAJÚ V STAVĚ „AKO SÚ“ A „SO VŠETKÝMI PORUCHAMI A CHYBAMI“ SPOLOČNOST HIKVISION NEPOSKYTUJE ŽIADNE VÝSLOVNÉ ANI PREDPOKLADANÉ ZÁRUKY, OKREM INÉHO VRÁTANE ZÁRUKY PREDAJNOSTI, USPOKOJIVEJ KVALITY ALEBO VHODNOSTI NA KONKRÉTNY ÚČEL. POUŽÍVANIE PRODUKTU JE NA VAŠE VLASTNÉ RIZIKO. SPOLOČNOST HIKVISION V ŽIADNOM PRÍPADO NE NESIE ZODPOVEDNOSŤ ZA ŽIADNE OSOBITNÉ, NÁSLEDNÉ, NAHODNÉ ALEBO NEPRIAMÉ ŠKODY, OKREM INÉHO VRÁTANE ŠKÔD Z ÚŠLEHO PODNIKATELSKÉHO ZISKU, PRERUŠENIA PODNIKANIA, ŠTRATY ÚDAJOV, POŠKODENIA SYSTÉMOV ALEBO ŠTRATY DOKUMENTÁCIE, ČI UŽ NA ZÁKLADE PORUŠENIA ZMLUVY, PREČINU (VRÁTANE NEDBALOSTI), ZODPOVEDNOSTI ZA PRODUKT ALEBO INAK V SÚVISLOSTI S POUŽÍVANÍM PRODUKTU, A TO ANI V PRÍPADO, AK BOLA SPOLOČNOST HIKVISION UPOZORNENÁ NA MOŽNOSŤ TAKÝCHTO ŠKÔD.

UZŇAVATE, ŽE POVAHA INTERNETU UMOŽŇUJE INHERENTNÉ BEZPEČNOSTNÉ RIZIKÁ A SPOLOČNOST HIKVISION NE NESIE ŽIADNU ZODPOVEDNOSŤ ZA NEŠTANDARDNÚ PREVÁDZKU, ÚNIK OSOBNÝCH ÚDAJOV ANI ZA INÉ ŠKODY V DÔSLEDKU KYBERNETICKÉHO ÚTOKU, HAKERSKÉHO ÚTOKU, VÍRUSOVEJ INFIEKČIE ALEBO INÝCH BEZPEČNOSTNÝCH RIZÍK SIETE INTERNET; V PRÍPADO POTREBY VŠAK SPOLOČNOST HIKVISION POSKYTNE VČASNÚ TECHNICKÚ PODPORU. SÚHLASÍTE S POUŽÍVANÍM TOHTO PRODUKTU V SÚLADE SO VŠETKÝMI PRÍSLUŠNÝMI ZÁKONMI A NESIETE VÝHRADNÚ ZODPOVEDNOSŤ ZA ZABEZPEČENIE, ABY VAŠE POUŽÍVANIE BOLO V SÚLADE S PRÍSLUŠNÝMI ZÁKONMI. STE OBZVLÁŠŤ ZODPOVEDNÍ ZA POUŽÍVANIE TOHTO PRODUKTU SPÔSOBOM, AKÝ NEPORUŠUJE PRÁVA TRETÍCH STRÁN, OKREM INÉHO PRÁVA PUBLICITY, PRÁVA DUŠEVNÉHO VLASTNÍCTVA, PRÁVA NA OCHRANU ÚDAJOV A INÉ PRÁVA NA OCHRANU SÚKROMIA. TENTO PRODUKT NESMIETE POUŽÍVAŤ NA ŽIADNE ZAKÁZANÉ ÚČELY VVRÁTANE VÝVOJA ALEBO VÝROBY ZBRANÍ HROMADNÉHO NIČENIA, VÝVOJA ALEBO VÝROBY CHEMICKÝCH ALEBO BIOLOGICKÝCH ZBRANÍ, AKÝCHKOL'VEK AKTIVÍT V SÚVISLOSTI S AKOUKOL'VEK JADROVOU VÝBUŠNINOU ALEBO NEBEZPEČNÝM CYKLOM JADROVÉHO PALIVA, ALEBO NA PODPORU ZNEUŽÍVANIA ĽUDSKÝCH PRÁV.

V PRÍPADE AKÉHOKOLVEK NEŠŮLADU MEDZI TOUTO PRÍRUČKOU A PRÍSLUŠNÝMI PRÁVNÝMI PREDPISMI MAJÚ PREDNOSŤ PRÍSLUŠNÉ PRÁVNE PREDPISY.

Regulačné informácie

Tieto ustanovenia platia len pre produkty s príslušným označením alebo údajom.

Vyhľadanie o súlade s predpismi EU



Tento produkt a - u produktov, ktorých sa to týka - aj dodané príslušenstvo sú označené značkou „CE“ a zodpovedajú preto príslušným harmonizovaným európskym normám uvedeným v smernici EMC 2014/30/EÚ, smernici RoHS 2011/65/EÚ.



2012/19/EÚ (smernica o odpade z elektrických a elektronických zariadení): Produkty označené týmto symbolom sa v rámci Európskej únie nesmú likvidovať spolu s netriedeným komunálnym odpadom. Po zakúpení ekvivalentného nového zariadenia zrecyklujte produkt tým, že ho odovzdáte miestnemu dodávateľovi alebo ho zlikvidujete na určených zberných miestach. Ďalšie informácie nájdete na lokalite: www.recyclethis.info



2006/66/ES a príslušné doplnenia 2013/56/EÚ (smernica o batériách): Tento produkt obsahuje batériu, ktorá sa v rámci Európskej únie nesmie likvidovať spolu s netriedeným komunálnym odpadom. Konkrétne informácie o batérii nájdete v dokumentácii produktu. Batéria je označená týmto symbolom, ktorý môže obsahovať písmená označujúce obsah kadmia (Cd), olova (Pb) alebo ortuti (Hg). Zrecyklujte batériu tým, že ju odovzdáte dodávateľovi alebo ju zlikvidujete na určenom zbernom mieste. Ďalšie informácie nájdete na: www.recyclethis.info.

Bezpečnostné pokyny

Tieto pokyny slúžia na zabezpečenie správneho používania produktu používateľom s cieľom predchádzať vzniku nebezpečenstva alebo majetkovým stratám.

Právne predpisy a nariadenia

Zariadenie by sa malo používať v súlade s miestnymi zákonmi, predpismi o elektrickej bezpečnosti a protipožiarnymi predpismi.

Preprava

- Pri preprave ponechajte zariadenie v pôvodnom alebo podobnom balení.
- Po rozbalení si všetky obaly odložte na budúce použitie. V prípade výskytu poruchy bude potrebné, aby ste zariadenie vrátili do výrobcovi v pôvodnom obale.
- Pri preprave bez pôvodného obalu môže dôjsť k poškodeniu zariadenia a spoločnosť za to nebude niesť žiadnu zodpovednosť.
- Chráňte zariadenie pred pádom alebo nárazom. Zariadenie chráňte pred magnetickým rušením.

Zdroj napájania

- Nabíjačku si zakúpte sami. Vstupné napätie musí spĺňať podmienky veľmi nízkeho napätia (48 DC) podľa normy IEC62368. Podrobné informácie nájdete v technických špecifikáciách.
- Skontrolujte, či je zástrčka správne pripojená k napájacej zásuvke.
- Zásuvka sa musí nainštalovať v blízkosti zariadenia a musí byť ľahko dostupná.
- K jednému napájaciemu adaptéru NEPRIPAJAJTE viacero zariadení, aby nedošlo k prehriatiu alebo riziku požiaru v dôsledku preťaženia.
- Po vypnutí ističa sa NEDOTÝKAJTE neizolovaných

kovových kontaktov vstupov. Stále je prítomný elektrický prúd.

- + označuje koncovky s kladnou polaritou v prípade zariadenia, s ktorým sa používa alebo ktoré vytvára jednosmerný prúd. – označuje koncovky so zápornou polaritou v prípade zariadenia, s ktorým sa používa alebo ktoré vytvára jednosmerný prúd.
- Zaisťte správne zapojenie koncoviek pri pripojení k prívodu striedavého sieťového napájania.

Batéria

- Riziko výbuchu v prípade výmeny batérie za nesprávny typ. Použitie batérie zlikvidujte podľa príslušných pokynov.=
- Zabudovanú batériu nemožno rozoberať. V prípade potreby opravy sa obráťte na výrobcu.
- Pri dlhodobom uskladnení batériu každý polrok úplne nabite, čím zaisťte jej kvalitu. V opačnom prípade môže dôjsť k poškodeniu.
- Toto zariadenie nie je vhodné na používanie na miestach, na ktorých sa môžu vyskytovať deti.
- Pri nevhodnej výmene batérie za nesprávny typ sa môže deaktivovať bezpečnostný prvok (napríklad pri niektorých typoch lítiových batérií).
- Nevkladajte do ohňa alebo horúcej rúry ani ju mechanicky nedrťte ani nerezte, pretože by to mohlo spôsobiť výbuch.
- Batériu nenechávajte v prostredí s mimoriadne vysokou teplotou, čo môže viesť k výbuchu alebo uniknú horľavých kvapalín alebo plynov.
- Batériu nevystavujte mimoriadne nízkemu tlaku vzduchu, čo môže viesť k výbuchu alebo uniknú horľavých kvapalín alebo plynov.

Inštalácia

- Zariadenie nikdy neumiestňujte na nestabilné miesto. Zariadenie môže spadnúť, v dôsledku čoho môže dôjsť k vážnemu zraneniu alebo smrtniu.
- Toto zariadenie je určené na použitie iba s príslušnými držiakmi. V prípade použitia s inými prvkami (vozíky, stojany alebo nosiče) môže dôjsť k nestabilite a možnému zraneniu.

Zabezpečenie systému

- Berte na vedomie, že internetové pripojenie ako také predstavuje bezpečnostnú riziká a naša spoločnosť nepreberá zodpovednosť za nenormálnu činnosť, unik osobných údajov alebo iné škody spôsobené kybernetickým útokom, hackerským útokom, avšak v prípade potreby poskytneme naša spoločnosť včasnú technickú podporu.
- Po pripojení zariadenia na internet chráňte osobné údaje, pretože môže dôjsť k ohrozeniu zariadenia v dôsledku problémov so zabezpečením siete. Ak by zariadenie mohlo byť v sieťovom prostredí ohrozené, obráťte sa na výrobcu.
- Upozorňujeme, že ste zodpovední za konfiguráciu všetkých hesiel a ďalších bezpečnostných nastavení zariadenia a za uchovanie používateľského mena a hesla.

Údržba

- Ak produkt nepracuje správne, obráťte sa na predajcu alebo na najbližšie servisné stredisko. Nepreberáme žiadnu zodpovednosť za problémy spôsobené neoprávnenou opravou alebo údržbou.
- Niekoľko komponentov zariadenia (napr. elektrolytický kondenzátor) si vyžaduje pravidelnú výmenu. Priemerná doba životnosti sa líši, preto odporúčame pravidelnú kontrolu. So žiadosťou o ďalšie podrobnosti sa obráťte na predajcu.
- V prípade potreby zariadenie jemne utrite čistou handričkou a malým množstvom etanolu.
- Ak sa zariadenie používa spôsobom, ktorý výrobca neuvádza, môže dôjsť k zníženiu ochrany poskytovanej zariadením.
- S cieľom znížiť riziko požiaru vymeňte poistku len sa poistku rovnakého typu a parametrov.
- Sériový port na zariadení slúži len na účely ladenia.

- Počas servisu odpojte zdroj napájania.
- Prevádzkové prostredie**
- Zabezpečte, aby prevádzkové prostredie spĺňalo požiadavky zariadenia. Prevádzková teplota musí byť -40 °C až 70 °C (-40 °F až 158 °F) a prevádzková vlhkosť nesmie byť vyššia ako 95 %, bez kondenzácie.
- Zariadenie NEVYSTAVUJTE silnému elektromagnetickému žiareniu ani prašnému prostrediu.
- Sošovkou NEMIERTE na slnko ani na žiadny iný silný zdroj svetla.
- Zariadenie nesmie byť vystavené kvapkajúcim ani striekajúcim kvapalinám a na zariadenie sa nesmú umiestňovať žiadne predmety naplnené kvapalinou, napríklad vázy.
- Na zariadenie sa nesmú umiestňovať žiadne zdroje otvoreného ohňa, napríklad zapálené sviečky.
- V nezvyčajných podmienkach, napríklad na vrchole hory, na kovovej veži alebo v lese, zabezpečte vstupný otvor zariadenia ochranou proti prepätiu.
- Bezpečnosťou popálenia prstov pri manipulácii s časťami so symbolom ▲. Pred manipuláciou s

jednotlivými časťami zariadenie vypnite a počkajte pol hodiny.

Núdzový režim

- Ak zo zariadenia vychádza dym, zápach alebo hluk, ihneď vypnite napájanie, odpojte napájací kábel a obráťte sa na servisné stredisko.

Adresa výrobcu

No.555 Qianmo Road, Binjiang District, Hangzhou 310052, China
Hangzhou Hikvision Digital Technology Co.,Ltd.

POZNÁMKA O SÚLADE S PREDPISMI: Produkty z radu teplocitlivých prístrojov môžu podliehať exportnej regulácii v rôznych krajinách alebo regiónoch vrátane napríklad Spojených štátov amerických, Európskej únie, Spojeného kráľovstva prípadne aj krajín Wassenarskeho usporiadania. Ak máte v úmysle prenášať, exportovať alebo re-exportovať produkty z radu teplocitlivých prístrojov cez hranice medzi rôznymi krajinami, poraďte sa so svojim odborným expertom na legislatívu alebo súlad s predpismi alebo miestnymi úradmi verejnej správy, či existuje povinnosť mať exportné povolenie.

Bahasa Indonesia



Tampilan produk hanya untuk referensi dan dapat berbeda dari tampilan produk yang sebenarnya.

Tampilan (Halaman 2 – A)

Ada dua jenis sistem pemosisian bola termal. Perhatikan perangkat sebenarnya sebagai referensi.

Keterangan Kabel (Halaman 2 – B)

1. RS-485
2. Kabel Jaringan: Menghubungkan antarmuka jaringan dengan kabel jaringan.
3. BNC: Menghubungkan antarmuka video.
4. Kabel Alarm: Menghubungkan terminal ALARM-IN dengan terminal GND, dan menghubungkan terminal ALARM-OUT dan terminal ALARM-COM.
5. Kabel Input Daya: Mendukung catu daya 48 VDC.

Memasang Kamera (Halaman 3 – C)

Langkah pemasangan kedua tipe kamera bersifat sama. Berikut contoh pemasangan kamera tipe II.

Langkah-langkah:

1. Pindahkan perangkat ke lokasi yang ditentukan dalam salah satu cara berikut.
 - a) Tarik sumbat karet di bagian atas perangkat, masukkan dan pasang cincin pengangkat ke lubang, dan pindahkan perangkat ke lokasi yang ditentukan menggunakan tuas atau derek.
 - b) Tarik sumbat karet di alas perangkat, masukkan dan pasang tiang penjinjing ke lubang, kemudian angkat dan pindahkan perangkat ke lokasi yang ditentukan.
2. Buat enam lubang menggunakan bor pada bracket sesuai dengan dimensi bracket.
3. Keluarkan enam sekrup M10 x 50, dan kencangkan perangkat ke bracket menggunakan sekrup.
4. Tarik pin pemosisian horizontal ke arah atas, lalu putar pin pemosisian 90° searah jarum jam untuk membuka kunci perangkat. Suara "klik" akan terdengar jika operasi berhasil.
5. Lepas cincin pengikat dan tiang penjinjing, kemudian masukkan kembali sumbat karet.
6. Aplikasikan gel antikatarr pada sekrup.

Memasang Kotak Daya (Halaman 4 – D)

Sebelum memulai pemasangan, siapkan sendiri

panel pemasangan, kemudian kencangkan di tempat yang diperlukan.

Cara I: Pemasangan Vertikal

Langkah-langkah:

1. Buat empat lubang berdiameter 6,5 menggunakan bor pada panel pemasangan sesuai dengan petunjuk di D – I – ①.
2. Pasang keempat sekrup M6 ke dalam panel pemasangan. Sisakan setidaknya ruang 5 mm antara kepala sekrup dan panel pemasangan.
3. Sejajarkan keempat lubang yang lebih besar pada panel belakang panel daya dengan keempat sekrup, turunkan kotak daya untuk menggantungkannya di panel pemasangan, kemudian kencangkan sekrup untuk memasang kotak daya.
4. Lepas penutup tahan air dan hubungkan kabel yang sesuai.

Cara II: Pemasangan Horizontal

Langkah-langkah:

1. Buat empat lubang berdiameter 6,5 mm menggunakan bor pada panel pemasangan sesuai dengan petunjuk (sebagaimana ditampilkan di D – I – ①).
2. Pasang kotak daya pada panel pemasangan dengan empat sekrup M6.

Cara Tahan Air (Halaman 6 – E)

1. Pasang selubung tahan air untuk kabel jaringan.
2. Gunakan selotip tahan air yang disertakan untuk melindungi konektor kabel dan kabel yang tidak terpakai.

Output Alarm (Halaman 6 – F)

- ① Output relai
- ② Beban DC
- ③ Catu daya
- ④ Relai JQC-3FG

Langkah Protektif (Halaman 7 – G – 1)

Mengaktifkan dan Mengakses Kamera Jaringan (Halaman 7 – G – 2)

Panduan Pengguna



©2022 Hangzhou Hikvision Digital Technology Co., Ltd. Hak dilindungi.

Tentang Manual ini

Manual ini berisi petunjuk untuk menggunakan dan mengelola produk. Foto, diagram, gambar, dan semua informasi lain di dalam dokumen ini hanya untuk gambaran dan penjelasan. Informasi yang ada di dalam Manual ini dapat berubah, tanpa pemberitahuan, akibat adanya pembaruan firmware atau sebab lain. Anda dapat menemukan versi terbaru Manual ini di situs web Hikvision (<https://www.hikvision.com/>).

Harap gunakan Manual ini dengan panduan dan bantuan tenaga profesional yang terlatih dalam mendukung Produk ini.

Merek Dagang

HIKVISION dan merek dagang serta logo Hikvision lainnya adalah milik Hikvision di berbagai wilayah hukum.

Merek dagang dan logo lain yang disebutkan dalam dokumen ini adalah milik pemilik yang bersangkutan.

PENAFIAN

SEPANJANG DIPERBOLEHKAN OLEH PERATURAN YANG BERLAKU, MANUAL INI DAN PRODUK YANG DIJELASKAN, BERSERTA PERANGKAT KERAS, PERANGKAT LUNAK, DAN FIRMWARE, DISEDIAKAN "SEPERTI ADANYA" DAN "DENGAN SEMUA CACAT DAN KESALAHAN". HIKVISION TIDAK MEMBERIKAN JAMINAN TERSURAT ATAU PUN TERSIRAT, TERMASUK TIDAK TERBATAS PADA, JAMINAN KOMERSIAL, KUALITAS MEMUASKAN, ATAU PUN KECOCOKAN UNTUK TUJUAN TERTENTU. PENGGUNAAN PRODUK OLEH ANDA ADALAH ATAS RISIKO ANDA SENDIRI. DALAM SEGALA HAL, HIKVISION TIDAK BERTANGGUNG JAWAB KEPADA ANDA ATAS KERUSAKAN KHUSUS, IKUTAN, IDENTIFIKASI, ATAU TIDAK LANGSUNG, TERMASUK, ANTARA LAIN, KERUGIAN AKIBAT HILANGNYA LABA USAHA, TERGANGGUNYA USAHA, ATAU HILANGNYA DATA, KERUSAKAN SISTEM, ATAU HILANGNYA DOKUMEN, BAIK BERDASARKAN PELANGGARAN ATAS KONTRAK, TINDAKAN MELAWAN HUKUM (TERMASUK KELALAIAN), KEWAJIBAN PRODUK, ATAU LAINNYA, TERKAIT PENGGUNAAN PERANGKAT LUNAK, MESKIPUN HIKVISION SUDAH DIBERITAHU ADANYA POTENSI KERUSAKAN ATAU KERUGIAN SEMACAM ITU.

ANDA MENGAKUI BAHWA SIFAT INTERNET MENGHADIRKAN RISIKO KEAMANAN TIDAK TERLIHAT, DAN HIKVISION TIDAK BERTANGGUNG JAWAB ATAS ABNORMALITAS PENGOPERASIAN, KEBOCORAN PRIVASI, ATAU KERUSAKAN LAIN AKIBAT SERANGAN SIBER, SERANGAN PERETAS, INFESI VIRUS, DAN RISIKO KEAMANAN INTERNET LAINNYA; AKAN TETAPI, KAMI AKAN MENYEDIAKAN DUKUNGAN TEKNIS SECARA

BERKALA JIKA DIBUTUHKAN.

ANDA SETUJU UNTUK MENGGUNAKAN PRODUK INI DENGAN MEMATUHI SEMUA PERATURAN YANG BERLAKU DAN ANDA SECARA PRIBADI BERTANGGUNG JAWAB MEMASTIKAN PENGGUNAAN OLEH ANDA MEMATUHI PERATURAN YANG BERLAKU. SECARA KHUSUS, ANDA BERTANGGUNG JAWAB MENGGUNAKAN PRODUK DENGAN CARA YANG TIDAK MELANGGAR HAK-HAK PIHAK KETIGA, TERMASUK TANPA BATASAN PADA, HAK PUBLISITAS, HAK KEKAYAAN INTELEKTUAL, ATAU PERLINDUNGAN DATA DAN HAK PRIVASI LAINNYA. ANDA DILARANG MENGGUNAKAN PRODUK UNTUK PENGGUNAAN AKHIR YANG DILARANG, TERMASUK PENGEMBANGAN ATAU PRODUKSI SENJATA PEMUSNAH MASSAL, PENGEMBANGAN ATAU PRODUKSI SENJATA KIMIA ATAU BIOLOGIS, AKTIVITAS YANG BERTHUBUNGAN DENGAN BAHAN PELEDAK NUKLIR ATAU DAUR BAHAN BAKAR NUKLIR SECARA TIDAK AMAN ATAU UNTUK MENDUKUNG PELANGGARAN HAK ASASI MANUSIA.

JIKA TERJADI PERTENTANGAN ANTARA MANUAL INI DAN PERATURAN YANG BERLAKU, YANG DISEBUT TERAKHIR DIPRIORITASKAN.

Informasi Terkait Peraturan

Klausul ini hanya berlaku untuk produk yang memuat tanda atau informasi yang sesuai.

Pernyataan Kepatuhan Terhadap UE

CE Produk ini - dan jika ada - aksesori yang disertakan bertanda "CE" dan oleh karena itu memenuhi standar harmoni Eropa yang disebutkan dalam EMC Directive 2014/30/UE, RoHS Directive 2011/65/UE.

2012/19/UE (WEEE directive): Produk yang bertanda simbol ini tidak boleh dibuang sebagai sampah umum yang tidak disortir di wilayah Uni Eropa. Agar dapat didaur ulang sesuai ketentuan, kembalikan produk ini ke toko terdekat saat Anda membeli peralatan pengganti yang baru, atau buang pada titik pengumpulan yang ditentukan. Untuk informasi lebih lanjut, kunjungi: www.recyclethis.info

2006/66/EC dan amendemennya 2013/56/UE (ketentuan baterai): Produk ini berisi baterai yang tidak boleh dibuang sebagai sampah umum yang tidak disortir di wilayah Uni Eropa. Lihat dokumentasi produk untuk informasi spesifik tentang baterai. Baterai ini ditandai dengan simbol ini, yang mungkin disertai huruf untuk menandakan kadmium (Cd), timbal (Pb), atau merkuri (Hg). Agar dapat didaur ulang sesuai ketentuan, kembalikan baterai ke toko atau titik pengumpulan yang ditentukan. Untuk informasi lebih lengkap, kunjungi: www.recyclethis.info.

Petunjuk Keselamatan

Instruksi ini ditujukan untuk memastikan pengguna dapat menggunakan produk dengan benar dan menghindari bahaya atau kerugian materiil.

Undang-Undang dan Peraturan

Perangkat harus digunakan sesuai dengan undang-undang setempat, peraturan keselamatan kelistrikan, dan peraturan terkait pencegahan kebakaran.

Transportasi

• Kemas perangkat dalam kemasan aslinya atau

yang serupa saat memindahkannya.

- Simpan wadah setelah perangkat dikeluarkan untuk digunakan lagi jika perlu. Kembalikan perangkat yang mengalami kegagalan apa pun ke pabrik dalam wadah aslinya.
- Perangkat yang diangkat tanpa wadah aslinya dapat mengalami kerusakan dan perusahaan tidak bertanggung jawab atas hal tersebut.
- Jangan meniatuhkan produk atau membuatnya terkena guncangan fisik. Jauhkan perangkat dari interferensi magnetis.

Catu Daya

- Silakan membeli pemecasp sendiri. Voltase input harus memenuhi ketentuan Sumber Daya Terbatas (48 VDC) sesuai standar IEC62368. Silakan lihat spesifikasi teknis untuk informasi terperinci.
- Pastikan steker terhubung dengan benar ke soket daya.
- Pasang lubang stopkontak di dekat peralatan dan di lokasi yang mudah dijangkau.
- JANGAN menghubungkan beberapa perangkat ke satu adaptor daya, untuk menghindari panas berlebih atau bahaya kebakaran karena muatan berlebih.
- JANGAN menyentuh kontak logam terbuka pada inlet setelah pemutus arus dimatikan. Aliran listrik masih ada.
- + menandai terminal positif peralatan yang digunakan dengan, atau menghasilkan arus searah.
- - menandai terminal negatif peralatan yang digunakan dengan, atau menghasilkan arus searah.
- Pastikan sambungan kabel terminal yang akan dihubungkan ke sumber arus AC sudah benar.

Baterai

- Risiko ledakan jika baterai diganti dengan jenis yang salah. Buang baterai bekas sesuai petunjuk.
- Baterai bawaan tidak boleh dibongkar. Harap menghubungi produsen untuk perbaikan jika perlu.
- Untuk penyimpanan jangka panjang, pastikan baterai terisi penuh setiap setengah tahun untuk memastikan kualitasnya. Jika tidak, bisa terjadi kerusakan.
- Peralatan ini tidak cocok untuk digunakan di lokasi anak-anak beraktivitas.
- Penggantian baterai yang tidak tepat dengan baterai dari jenis yang salah dapat memengaruhi keamanan (misalnya, untuk beberapa jenis baterai lithium).
- Jangan membuang baterai ke dalam api atau oven panas, atau menghancurkan atau memotornya secara mekanis, karena dapat menyebabkan ledakan.
- Jangan meletakkan baterai di lingkungan yang bersuhu sangat tinggi, karena dapat menyebabkan ledakan atau kebocoran cairan atau gas yang mudah terbakar.
- Jangan membiarkan baterai terpapar tekanan udara yang sangat rendah, karena dapat menyebabkan ledakan atau kebocoran cairan atau gas yang mudah terbakar.

Pemasangan

- Jangan memasang peralatan ini di lokasi yang tidak stabil. Peralatan bisa jatuh dan menyebabkan cedera serius hingga kematian.
- Gunakan peralatan ini dengan braket yang ditentukan saja. Penggunaan dengan alat lain (kereta dorong, meja, atau tas) dapat menyebabkan peralatan jatuh dan menyebabkan cedera.

Keamanan Sistem

- Anda mengakui bahwa sifat Internet menghadirkan risiko keamanan yang melekat, dan perusahaan kami tidak bertanggung jawab atas abnormalitas pengoperasian, kebocoran privasi,

atau kerusakan lain akibat serangan siber, serangan peretas, namun, perusahaan kami akan menyediakan dukungan teknis secara berkala jika dibutuhkan.

- Terapkan perlindungan informasi pribadi dan keamanan data karena perangkat dapat mengalami masalah keamanan jaringan saat terhubung ke internet. Hubungi kami jika perangkat berpotensi mengalami risiko keamanan jaringan.
- Harap dipahami bahwa Anda bertanggung jawab untuk mengkonfigurasi semua kata sandi dan setelah keamanan lainnya terkait perangkat, serta simpan nama pengguna dan kata sandi Anda.

Pemeliharaan

- Jika produk tidak berfungsi dengan baik, hubungi dealer atau pusat servis terdekat. Kami tidak bertanggung jawab atas masalah yang disebabkan oleh perbaikan atau perawatan yang tidak resmi.
- Beberapa komponen perangkat (mis., kapasitor elektrolitik) harus diganti secara rutin. Masa pakai rata-rata bervariasi, jadi disarankan melakukan pemeriksaan periodik. Hubungi dealer Anda untuk informasi selengkapnya.
- Usap perangkat secara lembut dengan kain bersih dan sedikit etanol, jika diperlukan.
- Jika perangkat digunakan dengan cara yang tidak sesuai dengan yang ditetapkan produsen, perlindungan dari perangkat mungkin tidak berfungsi maksimal.
- Untuk mengurangi risiko kebakaran, ganti sekering dengan tipe dan rating yang sama saja.
- Gunakan port seri peralatan untuk debugging saja.
- Lepaskan sambungan listrik saat melakukan servis.

Lingkungan Penggunaan

- Pastikan lingkungan tempat beroperasi memenuhi ketentuan perangkat. Suhu pengoperasian harus antara -40°C hingga 0°C (-40°F hingga 158°F), dan kelembapan pengoperasian harus 95% atau kurang, tanpa kondensasi.
- JANGAN membiarkan perangkat terpapar radiasi elektromagnetik atau lingkungan yang berdebu.
- JANGAN mengarahkan lensa ke matahari atau cahaya terang lainnya.
- Lindungi peralatan dari tetesan atau cipratan dan jangan menaruh benda berisi cairan, misalnya vas, di atas peralatan.
- Jangan menempatkan sumber nyala terbuka, misalnya lilin, di atas peralatan.
- Sediakan penekan lonjakan pada bukaan inlet peralatan dalam kondisi khusus, seperti puncak gunung, menara besi, dan hutan.
- Jari yang terbakar saat menangani komponen dengan simbol ⚠. Tunggu satu setengah jam setelah peralatan dimatikan sebelum menangani komponen.

Darurat

- Jika muncul asap, bau, atau derau dari perangkat, segera matikan perangkat, cabut kabel daya, lalu hubungi pusat servis.

Alamat Produsen

No.555 Qianmo Road, Binjiang District, Hangzhou 310052, China
Hangzhou Hikvision Digital Technology Co.,Ltd.

PENGUMUMAN KEPATUHAN: Produk seri termal ini mungkin tunduk pada kontrol ekspor di berbagai negara atau kawasan, termasuk tak terbatas, Amerika Serikat, Uni Eropa, dan/atau negara-negara lain anggota Kesepakatan Wassenaar. Hubungi ahli hukum atau kepatuhan profesional atau otoritas pemerintah setempat untuk persyaratan lisensi impor yang dibutuhkan jika Anda bermaksud mentransfer, mengekspor,



ပစ္စည်း ပုံသဏ္ဍာန်သည် ကိုးကားရန်အတွက်သာဖြစ်ပြီး ကုန်ပစ္စည်းအစစ်နှင့် ကွဲပြားမှု ရှိနိုင်ပါသည်။

အသွင်အပြင် (ဇယားနံပါတ် 2 - A)

အပူသုံး နေရာရှာဖွေမှုစနစ် အမျိုးအစား နှစ်မျိုးရှိပါသည်။ ကိုးကားရန်အတွက် အမှန်တကယ်ရှိသော ပစ္စည်းကိုယူပါ။

ကေဘယ်ကြိုး ဖော်ပြချက် (ဇယားနံပါတ် 2 - A)

1. RS-485
2. ကွန်ရက်ကြိုး- ကွန်ရက်ကြားခံစနစ်ကို ကွန်ရက်ကြိုးနှင့် ချိတ်ဆက်ပါ။
3. BNC- ဝီဒီယိုကြားခံစနစ်ဖြင့် ချိတ်ဆက်ပါ။
4. သတိပေးချက်ကြိုး- အချက်ပေးသံအဝင် တာမီနယ်ကို GND တာမီနယ်ဖြင့် ချိတ်ဆက်၍ အချက်ပေးသံအထွက် တာမီနယ်ကို အချက်ပေးသံ COM တာမီနယ်ဖြင့် ချိတ်ဆက်ပါ။
5. ပါဝါအဝင်ကြိုး- 48VDC ပါဝါ ထောက်ပံ့သည်။

ကင်မရာ တပ်ဆင်ခြင်း (ဇယားနံပါတ် 3 - C)

ကင်မရာနှစ်မျိုးစလုံးအတွက် တပ်ဆင်သည့်အဆင့်များသည် အတူတူဖြစ်သည်။ ဤနေရာတွင် ပြထားသည်မှာ အမျိုးအစား II ကင်မရာအတွက် နမူနာတပ်ဆင်ခြင်းဖြစ်သည်။

အဆင့်များ-

1. ကိရိယာကို အောက်ပါနည်းလမ်းများမှ တစ်ခုခုဖြင့် သတ်မှတ်ထားသော နေရာသို့ ရွှေ့ပါ။
 - a) ကိရိယာ၏ထိပ်ရှိ ရာဘာပလပ်များကို ဆွဲထုတ်ပြီး အပေါက်များဆီသို့ မ-တင်သည့်ကွင်းများတွင် ထည့်သွင်း၍ တပ်ဆင်လိုက်ပြီး ကိရိယာကို လီစာ သို့မဟုတ် ကရိန်းဖြင့် သတ်မှတ်ထားသည့်နေရာသို့ ရွှေ့ပါ။
 - b) ကိရိယာ၏ အခြေရှိ ရာဘာပလပ်များကို

ဆွဲဖြုတ်ပြီးနောက် အပေါက်များတွင် လက်ကိုင်သယ်ဆောင်ရန် တိုင်များကို ထည့်သွင်းပြီးနောက် ကိရိယာကို မြှောက်တင်ပြီး အခြားတစ်နေရာသို့ ရွှေ့ပြောင်းပါ။

2. ဘရက်ကတ်ကွင်း၏ အတိုင်းအတာများနှင့်အညီ ယင်းဘရက်ကတ်တွင် အပေါက်မြှောက်ပေါက် ဖောက်ပါ။
3. M10 x 50 ဝက်အူ မြှောက်ချောင်းယူပြီး ကိရိယာနှင့် ဘရက်ကတ်ကို ဝက်အူစုပ်ပါ။
4. ကိရိယာကို လော့ခ်ဖွင့်ရန်အတွက် အလျားလိုက် နေရာချပင်ကို အပေါ်သို့ဆွဲပြီးနောက် ယင်းပင်အား နာရီလက်တံ လားရာအတိုင်း 90° လှည့်ပါ။ လုပ်ဆောင်မှု အောင်မြင်ပါက ကလစ်သံ ကြားရပါမည်။
5. မ-တင်ရန် အကွင်းများနှင့် လက်ကိုင်သယ်ဆောင်ရန် တိုင်များကို ဖယ်ရှားပြီးနောက် ရာဘာပလပ်များ ပြန်တပ်ပါ။
6. ဝက်အူများပေါ်တွင် တိုက်စားမှု တားဆီးသည့် အဆီကို သုတ်လိမ်းပါ။

ပါဝါဘောက်စ် တပ်ဆင်ခြင်း (ဇယားနံပါတ် 4 - D)

တပ်ဆင်မှုကို မစတင်မီ တပ်ဆင်ရန် ပန်နယ်တစ်ခုကို ကိုယ်တိုင်ပြင်ဆင်ပြီး လိုအပ်သည့် နေရာတွင် အခိုင်အမာ တပ်ဆင်ပါ။

နည်းလမ်း I- ထောင်လိုက်တပ်ဆင်ခြင်း

အဆင့်များ-

1. တပ်ဆင်ရန် ပန်နယ်ပေါ်တွင် ညွှန်ကြားချက် D - I - ① နှင့်အညီ ① 6.5 mm အပေါက်လေးပေါက် ဖောက်ပါ။
2. တပ်ဆင်ရန် ပန်နယ်အား M6 ဝက်အူလေးချောင်းဖြင့် စုပ်ပါ။ ဝက်အူခေါင်းနှင့် တပ်ဆင်ရန် ပန်နယ်တို့အကြားတွင် အနည်းဆုံး

5 mm အလွတ်ထားပါ။

3. ပါဝါဘောက်၏ နောက်ပန်နယ်ပေါ်မှ ပိုကြီးသည့် အပေါက်လေးပေါက်ကို ဝက်အူလေးချောင်းနှင့် ချိန်ပြီးနောက် ပါဝါဘောက်ကို အောက်သို့ရွှေ့ပြီး တပ်ဆင်ရန် ပန်နယ်တွင် ချိတ်ပြီးနောက် ဝက်အူများကို ပါဝါဘောက်တွင် ကျပ်ထားပါ။

4. ရေကာအဖုံးများကို ဖြုတ်ပြီးနောက် သက်ဆိုင်ရာ ကေဘယ်ကြိုးများနှင့် ချိတ်ပါ။

နည်းလမ်း II- အလျားလိုက် တပ်ဆင်ခြင်း အဆင့်များ-

- 1. တပ်ဆင်ရန် ပန်နယ်ပေါ်တွင် ညွှန်ကြားချက်နှင့်အညီ ၈ 6.5 mm အပေါက် လေးပေါ (က်ဖောက်ပါ D - I - ① တွင် ပြထားသည့်အတိုင်း)။
- 2. ပါဝါဘောက်ကို တပ်ဆင်ရန် ပန်နယ်ပေါ်တွင် M6 ဝက်အူ လေးချောင်းဖြင့်စုပ်ပါ။

ရေလုံနည်းလမ်း (စာမျက်နှာ 6 - E)

- 1. ကွန်ရက်ကြိုးကို ရေလုံတိပ်ပတ်ပါ။
- 2. ပေးထားသော ရေလုံတိပ်ကို အသုံးပြု၍ ကြိုးခေါင်းများနှင့် မသုံးရသေးသော ကြိုးများကို ကာကွယ်ထားပါ။

သတိပေးချက် အထွက် (စာမျက်နှာ 6 - F)

- ① ထပ်ဆင့် ထုတ်လွှင့်မှု
- ② DC လျှပ်စစ်ဓာတ်အား
- ③ ပါဝါအဝင်
- ④ JQC-3FG ထပ်ဆင့် ထုတ်လွှင့်မှု

ကာကွယ်မှု နည်းလမ်းများ (စာမျက်နှာ 7 - G - 1)
ကွန်ရက်ကင်မရာ စတင်သက်ဝင်ခြင်းနှင့် အသုံးပြုခြင်း (စာမျက်နှာ 7 - G - 2)

သုံးစွဲသူလက်စွဲ



©2022 Hangzhou Hikvision Digital Technology Co., Ltd. မူပိုင်ခွင့်ရယူထားသည်။

ဤလမ်းညွှန်အကြောင်း

ဤလမ်းညွှန်တွင် ထုတ်ကုန်ပစ္စည်းအား အသုံးပြုခြင်းနှင့် စီမံခြင်းဆိုင်ရာ ညွှန်ကြားချက်များ ပါရှိသည်။ ဤလမ်းညွှန်ပါ ရုပ်ပုံများ၊ ပုံပြကားချပ်များ၊ ဓာတ်ပုံများနှင့် အခြားသတင်းအချက်အလက် အားလုံးသည် ဖော်ပြရန်၊ ရှင်းပြရန်အတွက်သာ ထည့်သွင်းထားခြင်း ဖြစ်ပါသည်။ ဤလမ်းညွှန်ပါ သတင်းအချက်အလက်များကို ဖမ်းဝဲ အပ်ဒိပ်လုပ်ခြင်းကြောင့်ဖြစ်စေ၊

အခြားအကြောင်းရင်းများကြောင့်ဖြစ်စေ ကြိုတင်အသိပေးခြင်း မရှိဘဲ ပြောင်းလဲနိုင်သည်။ ဤလမ်းညွှန်၏ နောက်ဆုံးရလဒ်များကို (<https://www.hikvision.com/>) Hikvision အင်တာနက်စာမျက်နှာတွင် ရနိုင်ပါသည်။

ယခုထုတ်ကုန်ပစ္စည်းအားကူညီထောက်မပရာတွင် လေ့ကျင့်မှုရရှိထားသော ကျွမ်းကျင်သူများ၏ လမ်းညွှန်နှင့် အထောက်အပံ့တို့နှင့်အညီ ဤလမ်းညွှန်ကို အသုံးပြုပါ။

ကုန်ပစ္စည်း အမှတ်တံဆိပ်များ

HIKVISION နှင့် Hikvision ၏ အခြား ကုန်ပစ္စည်း အမှတ်တံဆိပ်များနှင့် လိုဂိုများသည် တရားစီရင်မှု အမျိုးမျိုးတွင် Hikvision ၏ ပိုင်ဆိုင်မှုများ ဖြစ်ကြသည်။

ဖော်ပြထားသည့် အခြား ကုန်ပစ္စည်း အမှတ်တံဆိပ်များနှင့် လိုဂိုများသည် ၎င်းတို့၏ သက်ဆိုင်ရာ ပိုင်ရှင်များ၏ ပိုင်ဆိုင်မှုများ ဖြစ်ကြပါသည်။

မသက်ဆိုင်ကြောင်း ရှင်းလင်းချက်

အကျိုးဝင်သည့် သက်ဆိုင်သောဥပဒေက ခွင့်ပြုထားသည့် အမြင့်ဆုံး အတိုင်းအတာဖြင့် ဤလက်စွဲစာအုပ်နှင့် ဖော်ပြထားသော ထုတ်ကုန်ကို ၎င်း၏ စက်ပစ္စည်းများ၊ ဆော့ဖ်ဝဲနှင့် ဖမ်းဝဲများနှင့်အတူ "ယင်းအတိုင်း" နှင့်

"အမှားအယွင်းများအားလုံးနှင့်အတူ"

ဖော်ပြထားသည်။ HIKVISION သည် ကန့်သတ်မှု ကုန်သွယ်နိုင်စွမ်း၊ ကျေနပ်လောက်ဖွယ် အရည်အသွေး၊ သို့မဟုတ် သီးခြားရည်ရွယ်ချက် တစ်စုံတစ်ခုအတွက် ကြံ့ခိုင်မှုများ မရှိခြင်း အပါအဝင် မည်သည့် အာမခံချက်များကို အတိအလင်း ဖြစ်စေ သွယ်ဝိုက်၍ ဖြစ်စေ ပေးထားခြင်း မရှိပါ။

ကုန်ပစ္စည်းအား အသုံးပြုပါက သင့်ဘာသာသင် တာဝန်ယူ ရမည်။ မည်သည့်အခြေအနေတွင်မဆို စာချုပ်ချိုးဖောက်မှုကြောင့်ဖြစ်စေ၊

အကျိုးပျက်စီး၍ဖြစ်စေ (ပေါ့လျော့မှု အပါအဝင်)၊ ထုတ်ကုန်ပစ္စည်း ပြဿနာ ကြောင့်ဖြစ်စေ၊

သို့မဟုတ်ပါက ဤထုတ်ကုန်ပစ္စည်းအား အသုံးပြုမှုကြောင့် ဖြစ်စေ စီးပွားရေးလုပ်ငန်း

အကျိုးအမြတ် ဆုံးရှုံးမှု သို့မဟုတ် အချက်အလက် ဆုံးရှုံးမှု၊ စနစ်များ ယိုယွင်းပျက်စီးမှု သို့မဟုတ်

စာရွက်စာတမ်း ပျက်စီး ပျောက်ဆုံးမှုကြောင့် ထိခိုက်မှုများ အပါအဝင် အထူးတလည်၊

အကျိုးဆက်စပ်၍ မတော်တဆ သို့မဟုတ် တိုက်ရိုက် ထိခိုက်မှုများအတွက် ထိုထိခိုက်မှု သို့မဟုတ်

ဆုံးရှုံးမှုများအကြောင်း HIKVISION အား အကြံပြု အသိပေးပြီး ဖြစ်စေကာမူ HIKVISION မှ တာဝန်ယူမည် မဟုတ်ပါ။

အင်တာနက် သဘောသဘာဝအရ တည်ရှိဆဲ လုံခြုံရေး ဘေးအန္တရာယ်များ ပေးနိုင်သည်ကို သင် အသိအမှတ်ပြုပြီး ပုံမှန်မဟုတ်သော လုပ်ငန်းလည်ပတ်မှု၊ ပုဂ္ဂိုလ်ရေးဆိုင်ရာ အချက်အလက် ပေါက်ကြားမှု သို့မဟုတ် ဆိုင်ဘာ တိုက်ခိုက်မှုများ၊ ဟက်ကာ တိုက်ခိုက်မှုများ၊ ဝိုင်းရပ်စ် ကူးစက်မှု သို့မဟုတ် အခြား အင်တာနက် လုံခြုံရေး အန္တရာယ်များ၏ ရလဒ်အဖြစ် ဖြစ်ပေါ်လာသော အခြားပျက်စီးမှုများ၊ အပေါ် HIKVISION သည် တာဝန်ယူလိမ့်မည်မဟုတ်ပါ။ သို့ရာတွင် HIKVISION သည် လိုအပ်ပါက နည်းပညာပံ့ပိုးမှုကို အချိန်နှင့် တစ်ပြေးညီပေးသွားမည်။

သင်သည် အကျိုးဝင်သော ဥပဒေများနှင့် အညီ ဤကုန်ပစ္စည်းကို အသုံးပြုရန် သဘောတူညီပြီး သင်၏ အသုံးပြုမှုသည် အကျိုးဝင်သော ဥပဒေနှင့် ကိုက်ညီစေရန် သင်က လုံးဝ တာဝန်ခံရမည် ဖြစ်သည်။ အထူးသဖြင့် သင်သည် ဤကုန်ပစ္စည်းကို အသုံးပြုရာတွင် အများပြည်သူ၏ အခွင့်အရေးများ၊ အသိပညာ ပိုင်ဆိုင်မှု အခွင့်အရေးများ သို့မဟုတ် အချက်အလက် ကာကွယ်ရေး နှင့် အခြား ပုဂ္ဂိုလ်ရေး ဆိုင်ရာ အချက်အလက် လုံခြုံမှု အခွင့်အရေးများ အပါအဝင် ဖြစ်သော်လည်း ယင်းတို့သာ အကန့်အသတ်မဟုတ်ဘဲ အပြင်အပ လူပုဂ္ဂိုလ် များ၏ အခွင့်အရေးများကို ချိုးဖောက်သော ပုံစံဖြင့် အသုံးပြုခြင်း မပြုရန် သင့်တွင် တာဝန်ရှိသည်။

လူအစုအပြုံလိုက် သေကြေပျက်စီးစေနိုင်သော လက်နက်များ တီထွင် ဖန်တီးခြင်း သို့မဟုတ် ထုတ်လုပ်ခြင်း၊ စာတု သို့မဟုတ် ဖီဝ လက်နက်များ တီထွင်ဖန်တီးခြင်း သို့မဟုတ် ထုတ်လုပ်ခြင်း၊ မည်သည့် ပေါက်ကွဲစေတတ်သော နျူးကလီးယား လက်နက် သို့မဟုတ် ဘေးကင်းလုံခြုံမှု မရှိသော နျူကလီးယား လောင်စာ သံသရာတို့နှင့် သက်ဆိုင်သော အခြေအနေတွင် သို့မဟုတ်

လူ့အခွင့်အရေး ချိုးဖောက်မှုကို ပံ့ပိုးသော လုပ်ဆောင်မှု တစ်စုံတရာ တို့ အပါအဝင် မည်သည့် အဆုံးသတ် အသုံးပြုမှု အတွက်ကိုမဆို သင်သည် ဤကုန်ပစ္စည်းကို အသုံးပြုခြင်း မပြုရပါ။ ဤလမ်းညွှန်နှင့် သက်ဆိုင်ရာ ဥပဒေတို့အကြား ကွဲလွဲမှုများ ရှိခဲ့ပါက ဥပဒေပါ ပြဌာန်းချက်ကိုသာ အတည်ယူရမည်။

စည်းကမ်းချက်ဆိုင်ရာ အချက်အလက်များ
ဤအပိုစိတ်များသည် သက်ဆိုင်ရာ အမှတ်အသား သို့မဟုတ် အချက်အလက်များ ပါရှိသော ထုတ်ကုန်များနှင့်သာ သက်ဆိုင်ပါသည်။

EU စည်းကမ်းချက် ကိုက်ညီမှုဆိုင်ရာ ကြေငြာချက်
CE ဤထုတ်ကုန်ပစ္စည်းနှင့် (အကျုံးဝင်ပါက) အတူပါရှိသော အပိုပစ္စည်းများကို "CE" အမှတ်အသားဖြင့် မှတ်သားထားပြီး EMC ညွှန်ကြားချက် 2014/30/EU၊ 2011/65/EU တို့တွင် ဖော်ပြထားသည့် သက်ဆိုင်သော ချိန်ညှိပြီး ဥပဒေပစ်နှုန်းများနှင့် ကိုက်ညီပါသည်။

~~2012/19/EU (WEEE ညွှန်ကြားချက်)-~~
ဤသင်္ကေတ ကပ်ထားသည့် ထုတ်ကုန်များကို ဥပဒေပထမဌာနအတွင်း ရောနှောစည်ပင်အမှိုက်အနေဖြင့် စွန့်ပစ်နိုင်ခြင်း မရှိပါ။ သေချာစွာ ရီဆိုင်ကယ်လုပ်ရန်အတွက် ဤထုတ်ကုန်ပစ္စည်းကို အလားတူ ပစ္စည်းအသစ်တစ်ခု ဝယ်ယူချိန်တွင် သင့်နယ်ခံ ပစ္စည်းရောင်းချသူထံ ပြန်ပေးပါ သို့မဟုတ် သတ်မှတ်ထားသည့် ပစ္စည်းစုဆောင်းသော နေရာများ၌ စွန့်ပစ်ပါ။ ထပ်မံသိလိုသည်များ ရှိပါက www.recyclethis.info

~~2006/66/EC နှင့် ၎င်း၏ ပြင်ဆင်ချက် 2013/56/EC (ဘက်ထရီ လမ်းညွှန်ချက်)-~~
ဤထုတ်ကုန်ပစ္စည်းတွင် ဥပဒေပထမဌာနအတွင်း ရောနှော စည်ပင်အမှိုက်အနေဖြင့် စွန့်ပစ်နိုင်ခြင်း

မရှိသည့် ဘက်ထရီ တစ်လုံး ပါဝင်နေပါသည်။ ဘက်ထရီအတွက် သီးသန့်အချက် အလက်များကို ထုတ်ကုန်ပစ္စည်းပါ စာရွက်စာတမ်းများ၌ ကြည့်ပါ။ ဤဘက်ထရီကို ကတ်ဒီယမ် (Cd)၊ ခဲ (Pb) သို့မဟုတ် ပြဒါး (Hg) ဟု ညွှန်ပြမည့် စွန့်ပစ်ခြင်းပါဝင်နိုင်ကြောင်း ဤသင်္ကေတဖြင့် မှတ်သားထားပါသည်။ သေချာစွာ ရီဆိုင်ကယ်လုပ်ရန်အတွက် ဤဘက်ထရီကို သင့်နယ်ခံ ပစ္စည်း ရောင်းချသူထံ ပြန်ပေးပါ သို့မဟုတ် သတ်မှတ်ထားသည့် စုဆောင်းသော နေရာ၌ စွန့်ပစ်ပါ။ ပိုမိုသိရှိလိုပါက www.recyclethis.info တွင်ကြည့်ပါ။

ဘေးကင်းလုံခြုံရေး ညွှန်ကြားချက်များ
ဤညွှန်ကြားချက်များသည် အန္တရာယ် သို့မဟုတ် ပိုင်ဆိုင်မှုပစ္စည်းပျောက်ဆုံးမှုမှ ရှောင်ရှားနိုင်ရန်အတွက် အသုံးပြုသူအနေဖြင့် ထုတ်ကုန်ကို မှန်ကန်စွာအသုံးပြုနိုင်စေရန် ရည်ရွယ်ပါသည်။

ဥပဒေများနှင့် လုပ်ထုံးလုပ်နည်းများ
ကိရိယာကို ဒေသဆိုင်ရာ ဥပဒေများ၊ လျှပ်စစ်ပစ္စည်း ဘေးကင်းလုံခြုံမှု စည်းမျဉ်းစည်းကမ်းများ နှင့် မီးဘေး ကာကွယ်ရေး စည်းမျဉ်းစည်းကမ်းများနှင့် အညီ သုံးစွဲရမည်။

- သယ်ယူပို့ဆောင်ရေး**
- ကိရိယာကို သယ်ယူပို့ဆောင်ရာတွင် မူလ သို့မဟုတ် အလားတူ ထုပ်ပိုးမှုအတိုင်း ထားပါ။
 - ကိရိယာအား အထုတ်မှဖောက်ပြီးနောက် ထုတ်ပိုးသည့် ပစ္စည်းများကို နောင်တွင်ပြန်သုံးနိုင်ရန် သိမ်းဆည်းထားပါ။ ချို့ယွင်းမှုတစ်ခုခု ဖြစ်ခဲ့ပါက ကိရိယာကို မူရင်းအထုတ်အပိုးဖြင့် စက်ရုံသို့ ပြန်ပို့ရန် လိုအပ်ပါသည်။
 - မူလအတိုင်းထုပ်ပိုးထားခြင်းမရှိသော သယ်ယူပို့ဆောင်မှုသည် စက်ပစ္စည်းအပေါ်

ထိခိုက်ပျက်စီးမှုဖြစ်စေနိုင်ပြီး ကုမ္ပဏီမှ မည်သို့မျှ တာဝန်ယူမည်မဟုတ်ပါ။

• ထုတ်ကုန်ပစ္စည်းကို လွတ်မကျပါစေနှင့် သို့မဟုတ် တုန်ခါ၍ ဒဏ်ဖြစ်သွားခြင်း မဖြစ်စေပါ နှင့်၊ ကိရိယာကို သံလိုက်စက်ကွင်း နောက်ယှက်မှုမှ ဝေးရာတွင် ထားပါ။

ပါဝါ ပေးသွင်းမှု

- ကျေးဇူးပြု၍ အားသွင်းကိရိယာကို သင်ကိုယ်တိုင်ဝယ်ယူပါ။ အဝင်ဗို့အားသည် IEC62368 စံနှုန်းအရ ကန့်သတ်ထားသော ပါဝါရင်းမြစ်(48 VDC) ဖြင့် ကိုက်ညီသင့်သည်။ အသေးစိတ်အချက်အလက်များအတွက် နည်းပညာဆိုင်ရာ သတ်မှတ်ဖော်ပြချက်များကို ကျေးဇူးပြု၍ ကိုးကားပါ။
- ပလပ်ခေါင်းသည် ပါဝါ အပေါက်တွင် ကောင်းမွန်စွာ ချိတ်ဆက်ထားမှု ရှိမရှိကို သေချာ မြေချထားပါ။
- ပလပ်ပေါက်ကို ကိရိယာအနီးတွင် တပ်ဆင်ထားရမည်ဖြစ်ပြီး အလွယ်တကူ ထိုးချိတ်နိုင်ရမည် ဖြစ်သည်။
- အလုပ်ပိုကြောင့် ဖြစ်ပေါ်လာသော အပူလွန်ခြင်း သို့မဟုတ် မီးဘေးအန္တရာယ်ကို ရှောင်ရှားရန် ပါဝါခုံ တစ်ခုတွင် ကိရိယာ အများအပြားကို မဆက်ထားပါနှင့်။
- ဆားကပ်ဘရိုက်ကာကို ပိတ်ပြီးသော်လည်း အကာရံမပါသော အဝင်များ၏ သတ္တုအဆက်အသွယ်များကို မထိပါနှင့်။ လျှပ်စစ်အား ရှိနေဆဲဖြစ်သည်။
- + တိုက်ရိုက်လျှပ်စီးကြောင်းနှင့် အသုံးပြုသော သို့မဟုတ် တိုက်ရိုက်လျှပ်စီးကြောင်း ထွက်သော ကိရိယာ၏ အပေါင်းငုတ်(များ)ကို ခွဲခြားမှတ်သားပါ။ - တိုက်ရိုက်လျှပ်စီးကြောင်းနှင့် အသုံးပြုသော သို့မဟုတ် တိုက်ရိုက်လျှပ်စီးကြောင်း ထွက်သော ကိရိယာ၏ အနှုတ်ငုတ်(များ)ကို ခွဲခြားမှတ်သားပါ။

• AC မိန်းဓာတ်အားသို့ ချိတ်ဆက်သည့် ငုတ်များ ချိတ်ဆက်ပုံ မှန်ကန်စေရန် လုပ်ဆောင်ပါ။

ဘက်ထရီ

- မှန်ကန်မှုမရှိသော ဘက်ထရီအမျိုးအစားဖြင့် လဲမိပါက ပေါက်ကွဲမှုဖြစ်နိုင်သည်။ အသုံးပြုပြီး ဘက်ထရီများကို လမ်းညွှန်ချက်များနှင့်အညီ စွန့်ပစ်ပါ။
- တစ်သားတည်းပါသော ဘက်ထရီကို ဖယ်ထုတ်၍မရနိုင်ပါ။ လိုအပ်ပါက ပြုပြင်ရန်အတွက် ကျေးဇူးပြု၍ ထုတ်လုပ်သူနှင့် ဆက်သွယ်ပါ။
- ဘက်ထရီကြာရှည် သိုလှောင်ရန် အတွက် ဘက်ထရီအရည်အသွေးကောင်းမွန်စေရန် နှစ်ဝက်တိုင်းတွင် သေချာစွာ အားအပြည့်သွင်းထားပါ။ ထိုသို့မဟုတ်လျှင် ထိခိုက်ပျက်စီးမှုဖြစ်စေနိုင်ပါသည်။
- ဤကိရိယာကို ကလေးများရှိနိုင်သည့် နေရာမျိုးတွင် အသုံးပြုရန် မသင့်လျော်ပါ။
- ဘက်ထရီကို ပုံစံမမှန်ဘဲ မှားယွင်းသော အမျိုးအစားတစ်ခုဖြင့် အသစ်လဲခဲ့ပါက safeguard ပျက်စီးနိုင်သည် (ဥပမာအားဖြင့် အချို့သော လစ်သီယမ် ဘက်ထရီအမျိုးအစားများတွင်)။
- ဘက်ထရီကို ပေါက်ကွဲမှု ဖြစ်ပေါ်စေနိုင်သည့် မီးအတွင်းသို့၊ သို့မဟုတ် မီးဖိုအတွင်း၊ သို့မဟုတ် စက်ပစ္စည်းသုံး ထုခြေခြင်း၊ သို့မဟုတ် ဖြတ်တောက်ခြင်း ဖြင့် မစွန့်ပစ်ပါနှင့်။
- ဘက်ထရီကို အလွန်အမင်း မြင့်မားသည့် အပူချိန်ရှိသည့် ပတ်ဝန်းကျင်တွင် မထားပါနှင့်၊ ပေါက်ကွဲမှု ဖြစ်နိုင်သည် သို့မဟုတ် မီးလောင်လွယ်သည့် အရည် သို့မဟုတ် ဓာတ်ငွေ့များ ထွက်လာနိုင်သည်။
- ဤဘက်ထရီကို အလွန်နိမ့်သည့် လေဖိအားနှင့် ထိတွေ့ခြင်း မရှိစေရ။ ပေါက်ကွဲမှု ဖြစ်နိုင်သည် သို့မဟုတ် မီးလောင်လွယ်သည့် အရည် သို့မဟုတ် ဓာတ်ငွေ့များ ထွက်လာနိုင်သည်။

တပ်ဆင်ခြင်း

- ကိရိယာကို မတည့်ငြိမ်သော နေရာများတွင် မည်သည့်အခါမျှ တပ်ဆင်ခြင်း မပြုရပါ။ ဤကိရိယာ ပြုတ်ကျ၍ အနာတရ ပြင်းထန်စွာဖြစ်စေ၊ အသက်ဆုံးရှုံးသည်အထိ ဖြစ်စေ အန္တရာယ် ဖြစ်စေနိုင်ပါသည်။
- ဤကိရိယာကို ၎င်းနှင့်လိုက်ဖက်သော ဒေါက်များဖြင့်သာ အသုံးပြုရန်ဖြစ်ပါသည်။ အခြား (လက်တွန်းလှည်းများ၊ စင်များ သို့မဟုတ် သယ်ဆောင်သည့်စင်များ) ပစ္စည်းများနှင့် အသုံးပြုခြင်းကြောင့် မတည့်မငြိမ်ဖြစ်ပြီး အနာတရ ဖြစ်စေနိုင်ပါသည်။

စနစ် လုံခြုံရေး

- အင်တာနက်၏သဘောသဘာဝအရ မူလအားဖြင့် လုံခြုံရေးဆိုင်ရာအန္တရာယ်များကို ဖြစ်စေနိုင်သည်ကို သင်သိရှိနားလည်ထားပြီးဖြစ်ရာ ဆိုက်ဘာတိုက်ခိုက်မှု၊ ဟက်ကာတိုက်ခိုက်မှုတို့ကြောင့်ဖြစ်သော ပုံမှန်မဟုတ်သော ဆောင်ရွက်မှု၊ ကိုယ်ရေးအချက်အလက်ကျိုးပေါက်မှု သို့မဟုတ် အခြားထိခိုက်မှုများအတွက် ကျွန်ုပ်တို့ကုမ္ပဏီမှ တာဝန်ယူမည်မဟုတ်ပါ။ သို့သော် ကျွန်ုပ်တို့ကုမ္ပဏီသည် လိုအပ်ပါက အချိန်နှင့်တစ်ပြေးညီ နည်းပညာအထောက်အပံ့ပေးမည်ဖြစ်ပါသည်။
- ကိရိယာအား အင်တာနက်သို့ ချိတ်ဆက်ထားလျှင် ကွန်ရက်လုံခြုံမှုဆိုင်ရာ ပြဿနာများ ဖြစ်နိုင်သည့်အတွက် ကိုယ်ရေးအချက်အလက် ကာကွယ်ရေးနှင့် အချက်အလက် လုံခြုံရေးတို့ကို လုပ်ဆောင်ပါ။ ကိရိယာတွင် ကွန်ရက်လုံခြုံရေး အန္တရာယ်များ ရှိနိုင်ပါက ကျွန်ုပ်တို့ထံ ဆက်သွယ်ပါ။
- သင့်အနေဖြင့် ဤကိရိယာနှင့် ပတ်သက်သည့် စကားဝှက်များနှင့် အခြားလုံခြုံရေး ဆက်တင်များကို

ထိန်းသိမ်းသတ်မှတ်ရမည်ဖြစ်ပြီး အသုံးပြုသူအမည်နှင့် စကားဝှက်တို့ကို မှတ်သားထားရန် တာဝန်ရှိသည်ကို နားလည်ရန်လိုပါသည်။


ပြင်ဆင်ထိန်းသိမ်းခြင်း

- ကိရိယာ သေချာအလုပ်မလုပ်ပါက အရောင်းဆိုင် သို့မဟုတ် အနီးဆုံး ကြံ့ခိုင်မှုစစ်ဆေးရေး စင်တာသို့ ဆက်သွယ်ပါ။ ခွင့်ပြုချက်မရှိဘဲ ပြင်ဆင်ခြင်း သို့မဟုတ် ထိန်းသိမ်းပြင်ဆင်ခြင်းကြောင့် ဖြစ်ပွားရသည့် မည်သည့်ပြဿနာအတွက်မဆို လုံးဝတာဝန်ယူမည် မဟုတ်ပါ။
 - အချို့သော ကိရိယာ အစိတ်အပိုင်းများ (ဥပမာ- အီလက်ထရိုလိုက်တစ် စွမ်းရည်ထိန်း ပစ္စည်း) သည် ပုံမှန် လဲလှယ်မှု လုပ်ရန် လိုအပ်ပါသည်။ ဖျမ်းမှု သက်တမ်း ကွာခြားမှု ရှိသဖြင့် စစ်ဆေးရန် အကြံပြုပါသည်။ အသေးစိတ်အတွက် သင့်အား ပစ္စည်းရောင်းပေးသူအား ဆက်သွယ်ပါ။
 - လိုအပ်ပါက စက်ကိရိယာကို အရက်ပြန်အနည်းငယ်သုံး၍ သန့်ရှင်းသောအဝတ်စဖြင့် ညင်သာစွာ သုတ်ပါ။
 - ထုတ်လုပ်သူမှ သတ်မှတ်ထားခြင်းမရှိသောပုံစံဖြင့် ကိရိယာကို အသုံးပြုပါက စက်ပစ္စည်းတွင်ပါသော အကာအကွယ်ကို ထိခိုက်စေနိုင်ပါသည်။
 - မီးလောင်ကျွမ်းမှု အန္တရာယ်ကို လျော့ချရန်အတွက် အမျိုးအစားနှင့် အဆင့်အတန်း တူညီသည့် ဖျူးစ်ဖြင့်သာ လဲလှယ်ပေးရမည်။
 - ကိရိယာ၏ စီရီယယ် ဆက်သွယ်မှု သည် အမှားပြင်ရန်အတွက်သာ အသုံးပြုပါသည်။
 - ကြံ့ခိုင်မှုစစ်ဆေး ပြင်ဆင်ချိန်တွင် ပါဝါရင်းမြစ်ကို ဖြုတ်ထားပါ။
- အသုံးပြုသည့် ပတ်ဝန်းကျင်**
- လည်ပတ်လုပ်ဆောင်နေသော ပတ်ဝန်းကျင်သည် ကိရိယာအတွက် လိုအပ်ချက်များ ပြည့်စုံစေရန် လုပ်ဆောင်ပါ။ အလုပ်လုပ်ဆောင်သည့် အမှုချိန်သည်

-40 °C မှ 70 °C အထိ (-40 °F မှ 158 °F) နှင့် အလုပ်လုပ်ဆောင်သည့် စိုထိုင်းဆသည့် 95% နှင့် အောက်ဖြစ်ပြီး၊ ငွေ့ ရှည်မဖွဲ့ရပါ။

- ကိရိယာကို လျှပ်စစ်သံလိုက် ရောင်ခြည် သို့မဟုတ် ဖိုတိုထုတ်ပတ်ဝန်းကျင်များနှင့် မထိတွေ့စေပါနှင့်။
- မှန်ဘီလူးများကို နေ သို့မဟုတ် တောက်ပသော အလင်းရောင်ရှိရာသို့ မချိန်ပါနှင့်။
- ဤကိရိယာကို ရေစိမ့်ကျခြင်း သို့မဟုတ် ဖျန်းပတ်ခြင်းဖြန်းပတ်ခြင်းများနှင့် မထိစေရန်နှင့် ပန်းအိုးများ ကဲ့သို့သော အရည်ဖြည့်ထားသည့် ပစ္စည်းများကို ကိရိယာအပေါ်တွင် မထားရပါ။
- မီးထွန်းထားသည့် ဖယောင်းတိုင်များ ကဲ့သို့သော အကာအကွယ်မရှိသည့် မီးအရင်းအမြစ်များကို ကိရိယာအပေါ်တွင် မထားရပါ။
- တောင်ထိပ်၊ သံတာဝါတိုင်နှင့် သစ်တောများကဲ့သို့ အထူး အခြေအနေများအောက်တွင် ကိရိယာ၏ အဝင်ပေါက်တွင် ရုတ်တရက် လှုပ်ရှားမှု အထိန်းကို ထည့်ပေးပါ။
- သင်္ကေတပါသော အစိတ်အပိုင်းများကို ကိုင်တွယ်သည့်အခါ လက်ချောင်းများအပူလောင်နိုင်သည် ▲။ အစိတ်အပိုင်းများကို မကိုင်တွယ်မီ ခလုတ်ပိတ်ပြီး အနည်းဆုံး တစ်နာရီခွဲ စောင့်ဆိုင်းပါ။

အရေးပေါ်

 Ürün görünümünü sadece referans içindir ve gerçek ürün farklı olabilir.

Görünüm (Sayfa 2 - A)

İki tür termal küre konumlandırma sistemi vardır. Lütfen gerçek cihazı referans alın.

Kablo Açıklaması (Sayfa 2 – B)

1. RS-485
2. Ağ Kablosu: Ağ arayüzünü ağ kablosu ile bağlayın.
3. BNC: Video arayüzünü bağlayın.
4. Alarm Kablosu: ALARM-IN terminalini GND terminaline bağlayın; ALARM-OUT terminalini ve ALARM-COM terminalini bağlayın.
5. Güç Giriş Kablosu: 48 VDC güç kaynağını destekler.

Kamerayı Monte Etme (Sayfa 3 – C)

İki tip kameranın montaj adımları aynıdır. İşte tip II

• ကိရိယာမှ မီးခိုးငွေ့၊ ညှော်နှံစသည့် အနံ့၊ ဆူညံသံများ ထွက်လာလျှင် ပါဝါ ချက်ချင်းပိတ်၊ ပါဝါကေဘယ် ဖြုတ်ပြီး ပြုပြင်ရေးစင်တာသို့ ဆက်သွယ်ပါ။

ထုတ်လုပ်သည့်လိပ်စာ

No.555 Qianmo Road, Binjiang District, Hangzhou 310052, China

Hangzhou Hikvision Digital Technology Co.,Ltd.

လိုက်နာမှု သတိပေးချက်။ အမှုဆိုင်ရာ အတွဲလိုက် ထုတ်ကုန်များသည် အမေရိကန် ပြည်ထောင်စု၊ ဥရောပ သမဂ္ဂ၊ ယူနိုက်တစ် ကင်းဒမ်း နှင့်/သို့ ဝါဆန်နာ စီမံမှု အဖွဲ့ဝင် နိုင်ငံများ အပါအဝင် ဖြစ်ပြီး ယင်းတို့သာ ဟု ကန့်သတ်မထားပဲ အမျိုးမျိုးသော နိုင်ငံများ သို့မဟုတ် ဒေသများ တွင် ပို့ကုန် ထိန်းချုပ်မှုများကို ကြိုတွေ့ ရနိုင်သည်။ သင့်အနေဖြင့် အမှုဆိုင်ရာ အတွဲလိုက် ထုတ်ကုန်များကို မတူညီသော နိုင်ငံများအကြား လွှဲပြောင်းခြင်း၊ တင်ပို့ခြင်း၊ ထပ်မံတင်ပို့ခြင်း လုပ်ရန် ရည်ရွယ်ပါက ပို့ကုန် လိုင်စင် လိုအပ်ချက် တစ်စုံတစ်ရာ လိုအပ်ခြင်းရှိမရှိကို ကျွမ်းကျင်သော ဥပဒေ သို့မဟုတ် စည်းမျဉ်းလိုက်နာမှု ကျွမ်းကျင်သူများ သို့မဟုတ် ဒေသခံအစိုးရ အာဏာပိုင်များနှင့် ကျေးဇူးပြု၍ တိုင်ပင်ပါ။

Türkçe

kameranın montaj örneği.

Adımlar:

1. Cihazı aşağıdaki yollardan birini kullanarak belirtilen konuma taşıyın.
 - a) Cihazın üst kısmındaki lastik tapaları dışarı çekin, kaldırma halkalarını deliklere takıp sabitleyin ve cihazı bir manivela veya vinç ile belirtilen yere taşıyın.
 - b) Cihaz tabanındaki lastik tapaları dışarı çekin, elde taşınabilir taşıma direklerini deliklere takıp sabitleyin ve ardından cihazı kaldırıp belirtilen konuma taşıyın.
2. Braketin boyutuna göre brakete altı delik açın.
3. Altı adet M10 x 50 vidayı çıkarın ve cihazı vidalarla brakete sabitleyin.
4. Yataj konumlandırma pimini yukarı doğru çekin ve aygıtın kilidini açmak için konumlandırma pimini saat yönünde 90° çevirin. İşlem başarılı olursa bir tık sesi duyabilirsiniz.

5. Kaldırma halkalarını ve taşınabilir taşıma direklerini çıkarın ve lastik tapaları geri takın.
 6. Vidaları korozyon önleyici jel uygulayın.
- Güç Kutusunu Monte Etme (Sayfa 4 – D)**
Montaja başlamadan önce kendiniz bir montaj panosu hazırlayın ve gereken yere sabitleyin.

Yöntem I: Dikey Montaj

Adımlar:

1. D – I – ①'deki talimatlara göre montaj paneli üzerinde dört adet ϕ 6,5 mm delik açın.
2. Dört M6 vidayı montaj paneline vidalayın. Vida başı ile montaj paneli arasında en az 5 mm boşluk bırakın.
3. Güç kutusunun arka panelindeki dört büyük deliği dört vidayla hizalayın, montaj paneline asmak için güç kutusunu aşağı doğru hareket ettirin ve güç kutusunu sabitlemek için vidaları sıkın.
4. Su geçirmez kapakları çıkarın ve ilgili kabloları bağlayın.

Yöntem II: Yatay Montaj

Adımlar:

1. Talimatlara göre montaj paneli üzerinde dört adet ϕ 6,5 mm delik için (D – I – ①) de gösterildiği gibi).
2. Güç kutusunu dört M6 vidayla montaj panelinde sabitleyin.

Su Geçirmezlik Yöntemi (Sayfa 6 – E)

1. Ağ kablosunun su geçirmez kılıfını takın.
2. Kablo konnektörlerini ve kullanılmayan kabloları korumak için ürüne birlikte verilen su geçirmez bantı kullanın.

Alarm Çıkışı (Sayfa 6 – F)

- ① Röle çıkışı
- ② DC yükü
- ③ Güç kaynağı
- ④ JQC-3FG Rölesi

Koruyucu Önlemler (Sayfa 7 – G – 1)

Ağ Kamerasını Etkileştirme ve Ağ Kamerasına Erişme (Sayfa 7 – G – 2)

Kullanım Kılavuzu



©2022 Hangzhou Hikvision Digital Technology Co., Ltd. Tüm hakları saklıdır.

Bu Kılavuz hakkında

Kılavuz, Ürünün kullanımı ve yönetimi ile ilgili talimatları içerir. Resimler, çizelgeler, görüntüler ve buradaki diğer tüm bilgiler, yalnızca tanımlama ve açıklama amaçlıdır. Kılavuzda bulunan bilgiler, yazılım güncellemeleri veya başka nedenlerden dolayı önceden haber verilmeksizin değiştirilebilir. Bu Kılavuzun en son sürümünü Hikvision web sitesinde (<https://www.hikvision.com/>) bulabilirsiniz.

Lütfen Bu Kılavuzu, Ürünü destekleme konusunda eğitilmiş profesyonellerin rehberliği ve yardımı ile kullanın.

Ticari Markalar

HIKVISION, ve diğer Hikvision ticari markaları ve logoları Hikvision'ın çeşitli yargı mercilerindeki mülkleridir.

Bahsedilen diğer ticari markalar ve logolar ilgili sahiplerinin mülkiyetindedir.

YASAL UYARI

YÜRÜRLÜKTEKİ YASALARIN İZİN VERDİĞİ AZAMI ÖLÇÜDE, BU KILAVUZ VE AÇIKLANAN ÜRÜN, DONANIMI, YAZILIMI VE ÜRÜN YAZILIMI İLE "OLDUĞU GİBİ" VE "TÜM ARIZALAR VE HATALAR İLE" SAĞLANIR. HIKVISION, SINIRLANDIRMA, TİCARİ OLABİLİRLİK, MEMNUNİYET KALİTESİ VEYA BELİRLİ BİR AMAÇA UYGUN OLMAKSIZIN AÇIK VEYA ZİMMİ HİÇBİR GARANTİ VERMEZ. ÜRÜNÜN SİZİN TARAFINIZDAN KULLANIMI KENDİ SORUMLULUĞUNUZDADIR. HIKVISION HİÇBİR DURUMDA, BU ÜRÜNÜN KULLANIMI İLE BAĞLANTILI OLARAK, HIKVISION BU TÜR HAŞARLARIN OLASILIĞI HAKKINDA BİLGİLENDİRİLMİŞ OLSA BİLE, İŞ KURLARININ KAYBI, İŞ KESİNTİSİ, VERİ KAYBI, SİSTEM KESİNTİSİ, BELGE KAYBI, SÖZLEŞMENİN İHLALI (İHMAL DAHİL), ÜRÜN SORUMLULUĞU GİBİ ZARARLAR DA DAHİL OLMAK ÜZERE, ÖZEL, SONUÇLU, TESADÜFİ VEYA DOLAYLI ZARARLAR İÇİN SİZE KARŞI SORUMLU OLMAYACAKTIR.

İNTERNETİN DOĞASININ DOĞAL GÜVENLİK RİSKLERİ BARINDIRDIĞINI KABUL EDİYORSUNUZ VE HIKVISION, SİBER SALDIRI, HACKER SALDIRISI, VİRÜS BULAŞMASI VEYA DİĞER İNTERNET GÜVENLİK RİSKLERİNDEN KAYNAKLANAN ANORMAL KULLANIM, GİZLİLİK SIZINTISI VEYA DİĞER ZARARLAR İÇİN HERHANGİ BİR SORUMLULUK KABUL ETMEZ; ANCAK, HIKVISION GEREKİRSE ZAMANINDA TEKNİK DESTEK SAĞLAYACAKTIR.

BU ÜRÜNÜN GEÇERLİ TÜM YASALARA UYGUN OLARAK KULLANMAYI KABUL EDİYORSUNUZ VE KULLANIMINIZIN GEÇERLİ YASALARA UYGUN OLMASINI SAĞLAMAKTAN YALNIZCA SİZ SORUMLUSUNUZ. ÖZELİLE, BU ÜRÜNÜ, SINIRLAMA OLMAKSIZIN, TANITIM HAKLARI, FİKRİ MÜLKİYET HAKLARI VEYA VERİ KORUMA VE DİĞER GİZLİLİK HAKLARI DA DAHİL OLMAK ÜZERE ÜÇÜNCÜ TARAFLARIN HAKLARINI İHLAL ETMEYECEK ŞEKİLDE KULLANMAKTAN SİZ SORUMLUSUNUZ. BU ÜRÜNÜ, KİTLE İMHA SİLAHLARININ GELİŞTİRİLMESİ VEYA ÜRETİMİ, KİMYASAL VEYA BİYOLOJİK SİLAHLARIN GELİŞTİRİLMESİ VEYA ÜRETİMİ, HERHANGİ BİR NÜKLEER PATLAYICI VEYA GÜVENLİ OLMAYAN NÜKLEER YAKIT DÖNGÜSÜ İLE İLGİLİ HERHANGİ BİR FAALİYETTE VEYA İNSAN HAKLARI İHLALLERİNİ DESTEKLEMELİK DE DAHİL YASAKLANMIŞ SON KULLANIMLAR İÇİN KULLANAMAZSINIZ.

BU KILAVUZ İLE İLGİLİ YASA ARASINDA HERHANGİ BİR ÇELİŞKİ OLMASI DURUMUNDA, İKİNCİSİ GEÇERLİDİR.

Mevzuat Bilgisi

Bu maddeler, yalnızca ilgili işarete veya bilgiye sahip ürünler için geçerlidir.

AB Uygunluk Beyanı

CE Bu ürün ve (varsa) birlikte verilen aksesuarlar "CE" işaretlidir ve bu nedenle EMC Direktifi 2014/30/EU, RoHS Direktifi 2011/65/EU altında listelenen geçerli uyumlaştırılmış Avrupa standartlarına uygundur.



2012/19 / EU (WEEE direktifi): Bu simgeyle işaretlenen ürünler, Avrupa Birliği'nde ayrıştırılmamış belediye atığı olarak yok edilemez. Doğru geri dönüşüm için, eşdeğer yeni ekipman satın aldıktan sonra bu ürünü yerel tedarikçinize iade edin veya belirtilen toplama noktalarına imha edin. Daha fazla bilgi için bkz: www.recyclethis.info



2006/66/EC ve değişiklik 2013/56/EU (batarya direktifi): Bu ürün, Avrupa Birliği'nde ayrıştırılmamış belediye atığı olarak imha edilemeyen bir pil içerir. Özel pil bilgileri için ürün belgelerine bakın. Pil, kadmilyum (Cd), kurşun (Pb) veya cıva (Hg) içerebildiğini belirtmek bu simgeyle işaretlenmiştir. Doğru geri dönüşüm için pili tedarikçinize veya belirlenmiş bir toplama noktasına iade edin. Daha fazla bilgi için bkz: www.recyclethis.info.

Güvenlik Talimatları

Bu talimatlar ile tehlikeleri veya mal kayıplarını önlemek için kullanıcının ürünü doğru şekilde kullanabilmesinin sağlanması amaçlanmıştır.

Yasalar ve Yönetmelikler

Cihaz yerel yasalara, elektrik güvenliği yönetmeliklerine ve yangın önleme yönetmeliklerine uygun şekilde kullanılmalıdır.

Ulaşım

- Cihazı taşıırken orijinal ambalajının veya benzer bir ambalajın içerisine koyun.
- Ambalajından çıkardıktan sonra tüm ambalajları ileride kullanmak üzere saklayın. Herhangi bir arıza meydana gelmesi halinde cihazı orijinal sarğısıyla birlikte fabrikaya iade etmeniz gerekir.
- Orijinal ambalajı olmadan taşımak cihaza zarar verebilir bu durumda şirket hiçbir sorumluluk kabul etmeyecektir.
- Ürünü düşürmeyin veya fiziksel darbeye maruz bırakmayın. Cihazı manyetik parazitten uzak tutun.

Güç Kaynağı

- Lütfen şarj cihazını kendiniz satın alın. Giriş voltajı, IEC62368 standardına göre Sınırlı Güç Kaynağını (48 VDC) karşılamalıdır. Ayrıntılı bilgi için lütfen teknik özelliklere bakın.
- Fişin elektrik prizine düzgün şekilde takıldığından emin olun.
- Priz, ekipmanın yakınına kurulmalı ve kolayca erişilebilir olmalıdır.
- Aşırı yükten kaynaklı aşırı ısınmayı veya yangın tehlikelerini önlemek için bir güç kaynağına birden fazla cihaz TAKMAYIN.
- Devre kesici kapatıldıktan sonra girişlerin çıplak metal kontaklarına DOKUNMAYIN. Elektrik hala vardır.
- + simgesi kullanılan veya doğru akım üreten ekipmanın pozitif terminallerini belirtir. - simgesi kullanılan veya doğru akım üreten ekipmanın negatif terminallerini belirtir.
- AÇ şebeke kaynağına bağlantı için terminallerin doğru kablo tesisatına sahip olduğundan emin olun.

Pil

- Pil yanlış bir türle değiştirildiğinde patlama riski. Bitmiş pilleri yönetmeliklere göre atın.
- Yerleşik pil sökülemez. Gerekirse onarım için lütfen üreticisiyle iletişime geçin.
- Pil uzun süre kullanılmadan saklanacaksa pilin kalitesinin devam ettirilmesi için her altı ayda bir tam olarak şarj edilmesini sağlayın. Aksi takdirde hasar meydana gelebilir.
- Bu ekipman çocukların olma ihtimalinin bulunduğu yerlerde kullanılmı için uygun değildir.
- Pilin yanlış türde bir pille uygun olmayan şekilde değiştirilmesi korumayı geçersiz hale getirebilir (örneğin, bazı lityum pil türleri).

- Pili ateşe veya sıcak fırına atmayın veya pili mekanik olarak patlayabilecek şekilde ezmeyin veya kesmeyin.
- Pili, patlamaya veya yanıcı sıvı veya gaz sızıntısına neden olabilecek aşırı yüksek sıcaklıktaki bir ortamda bırakmayın.
- Pili, patlamaya veya yanıcı sıvı veya gaz sızıntısına neden olabilecek aşırı düşük hava basıncına maruz bırakmayın.

Montaj

- Ekipmanı asla sağlam olmayan bir yere yerleştirmeyin. Ekipmanın düşmesi ciddi kişisel yaralanmalara veya ölüme neden olabilir.
- Bu ekipman sadece ilgili braketler ile kullanılmı içindir. Başka araçlarla (el arabaları, standlar veya taşıyıcılar) kullanılması, yaralanmaya neden olabilecek dengesizliğe yol açabilir.

Sistem Güvenliği

- İnternetin yapısı nedeniyle güvenlik riskleri barındırdığını ve şirketimizin siber saldırı, bilgisayar korsanı saldırısı veya başka bir internet güvenlik riskinden kaynaklanan anormal çalışma, gizlilik sızıntısı veya başka zararlar için hiçbir sorumluluk almayacağını kabul edersiniz. Ancak şirketimiz gerekirse zamanında teknik destek sağlayacaktır.
- Cihaz internete bağlandığında ağ güvenliği sorunları oluşabileceğinden lütfen kişisel bilgilerin korunduğundan ve veri güvenliği sağlandığından emin olun. Cihazda ağ güvenliği riskleri olduğunda lütfen bizimle iletişime geçin.
- Tüm parolaların ve cihazla ilgili diğer güvenlik ayarlarının yapılandırılması ve kullanı adı ile parolasının korunması sorumluluğunuzun size ait olduğunu lütfen unutmayın.

Bakım

- Ürün düzgün şekilde çalışmıyorsa lütfen bayiinize veya en yakın servis merkezimize iletişime geçin. Yetkisiz onarım veya bakımın kaynaklanan sorunlar için herhangi bir sorumluluk kabul etmeyiz.
- Cihazın birkaç parçası (ör. Elektrolitik kapasitör) düzenli olarak değiştirilmelidir. Ortalama parça ömrü değişikliği göstermektedir bu nedenle periyodik kontrol önerilmektedir. Ayrıntılar için satıcınıza iletişime geçin.
- Cihazı temiz bir bez ve gerekirse az miktarda etanol ile hafifçe silin.
- Ekipman, üretici tarafından belirtmeyen bir şekilde kullanılırsa cihaz tarafından sağlanan koruma zabolabilir.
- Yangın riskini azaltmak için, sadece aynı tip ve değerde sigorta ile değiştirin.
- Ekipmanın seri portu sadece hata ayıklama için kullanılır.
- Bakım sırasında güç kaynağının bağlantısını kesin.

Kullanma Ortamı

- Çalışma ortamının cihazın gereksinimlerini karşıladığından emin olun. Çalışma sıcaklığı -40°C ila 70°C (-40°F ila 158°F) ve çalışma nemi yoğunlaşmaz %95 veya daha az olmalıdır.
- Cihazı yüksek elektromanyetik radyasyona sahip veya tozlu ortamlarda BULUNDURMAYIN.
- Lensi, güneşe veya herhangi bir parlak ışığa doğru tutmayın.
- Ekipman, damlayan veya sıçrayan sıvılara maruz bırakılmamalı ve ekipmanın üzerine vazo gibi içi sıvı dolu nesnelerin konulmamasına dikkat edilmelidir.
- Ekipmanın üzerine yanan mum gibi açık alev kaynakları konulmamalıdır.
- Dağ tepesi, demir kule ve orman gibi özel koşullarda ekipmanın giriş açıklığında aşırı gerilim koruyucu sağlayın.
- ▲ sembolü olan parçaları tuttuğunuzda parmaklarınız yanabilir. Kapattıktan sonra parçaları tutmadan önce bir buçuk saat bekleyin.

Acil Durum

- Cihazdan duman, koku veya ses geliyorsa hemen

gücü kapatarak güç kablosunun bağlantısını kesin ve servis merkezimize iletişime geçin.

Üretim Adresi

No.555 Qianmo Road, Binjiang District, Hangzhou 310052, Çin
Hangzhou Hikvision Digital Technology Co.,Ltd.

UYGUNLUK BİLDİRİMİ: Termal serisi ürünler, sıvrılama olmaksızın Amerika Birleşik Devletleri, Avrupa Birliği, Birleşik Krallık ve / veya Wassenaar

Düzenlemesinin diğer üye ülkeleri dahil olmak üzere çeşitli ülke veya bölgelerde ihracat kontrollerine tabi olabilir. Termal serisi ürünleri farklı ülkeler arasında transfer etmeyi, ihrac etmeyi veya yeniden ihrac etmeyi düşünürseniz, lütfen gerekli ihracat lisansı gereklilikleri için profesyonel hukuk veya uyum uzmanınıza veya yerel hükümet yetkililerine danışın.

Русский



Внешний вид изделия зависит от конкретной модели. Рисунки приведены только для справки.

Внешний вид (стр. 2- А)

Существует два типа сферических тепловизионных систем позиционирования. Учитывайте особенности фактического устройства.

Описание кабелей (стр. 2 – В)

1. RS-485
2. Сетевой кабель: подключите сетевой кабель к сетевому интерфейсу.
3. BNC: подключите видеоинтерфейс.
4. Кабель сигнализации: подключите клемму ALARM-IN к клемме GND, а клемму ALARM-OUT к клемме ALARM-COM.
5. Кабель входа питания: обеспечивает электропитание 48 В пост. тока.

Установка камеры (стр. 3 – С)

Этапы установки двух типов камер одинаковы. Ниже приведен пример установки для камеры типа II.

Выполните следующие шаги.

1. Переместите устройство в необходимую точку при помощи одного из следующих способов.
 - a) Извлеките резиновые заглушки в верхней части устройства, вставьте в отверстия подъемные кольца и закрепите их, а затем переместите устройство в необходимую точку с помощью рычага или крана.
 - b) Извлеките резиновые заглушки на основании устройства, вставьте в отверстия ручные кронштейны для переноски и закрепите их, а затем поднимите и переместите устройство в необходимую точку.
2. Просверлите шесть отверстий на креплении в соответствии с его размерами.
3. Извлеките шесть винтов M10 x 50 и с их помощью зафиксируйте устройство на креплении.
4. Потяните горизонтальную установочную шпильку вверх и поверните ее на 90° по часовой стрелке, чтобы разблокировать устройство. При успешном выполнении раздается щелчок.
5. Снимите подъемные кольца и ручные кронштейны для переноски и вставьте резиновые заглушки обратно.
6. Обработайте винты антикоррозийным гелем.

Установка блока питания (стр. 4 – D)

Перед началом установки подготовьте монтажную панель и закрепите ее в необходимой точке.

Метод I: вертикальная установка

Выполните следующие шаги.

1. Просверлите четыре отверстия ф 6,5 мм на монтажной панели согласно инструкциям в D – I – ①.

2. Вкрутите четыре винта М6 в монтажную панель. Расстояние между головкой винта и монтажной панелью должно составлять не менее 5 мм.
3. Совместите четыре больших отверстия на задней панели блока питания с четырьмя винтами, переместите блок питания вниз для его подвески на монтажной панели и затяните винты, чтобы зафиксировать блок питания.
4. Снимите водонепроницаемые крышки и подсоедините соответствующие кабели.

Метод II: горизонтальная установка

Выполните следующие шаги.

1. Просверлите четыре отверстия ∅ 6,5 мм на монтажной панели согласно инструкции (как показано в D – I – ①).
2. Закрепите блок питания на монтажной панели при помощи четырех винтов М6.

Метод, обеспечивающий водонепроницаемость (стр. 6 – E)

1. Поместите сетевой кабель в водонепроницаемую оболочку.
2. Используя прилагаемую водонепроницаемую ленту, выполните герметизацию разъемов и неиспользуемых кабелей.

Тревожный выход (стр. 6 – F)

- ① Релейный выход
- ② Нагрузка для источника питания постоянного тока
- ③ Источник питания
- ④ Реле JQC-3FG

Меры предосторожности (стр. 7 – G – 1)

Активация сетевой камеры и доступ к ней (стр. 7 – G – 2)

Руководство пользователя



©2022, Hangzhou Hikvision Digital Technology Co., Ltd. Все права защищены.

О данном Руководстве

В Руководстве содержатся инструкции по эксплуатации Изделия. Фотографии, схемы, иллюстрации и прочие материалы приведены исключительно в качестве описаний и пояснений. Информация, приведенная в Руководстве, может быть изменена без предварительного

уведомления в связи с обновлением микропрограммы или по другим причинам. Используйте последнюю редакцию Руководства. Ее можно найти на веб-сайте компании Hikvision (<https://www.hikvision.com/>).

Используйте Руководство под наблюдением специалистов, обученных обслуживанию Изделия.

Торговые марки

HIKVISION и все другие товарные знаки и логотипы Hikvision являются собственностью компании Hikvision в различных юрисдикциях. Другие товарные знаки и логотипы, упоминаемые в Руководстве, являются собственностью соответствующих владельцев.

ОГРАНИЧЕНИЕ ОТВЕТСТВЕННОСТИ

В МАКСИМАЛЬНОЙ СТЕПЕНИ, РАЗРЕШЕННОЙ ДЕЙСТВУЮЩИМ ЗАКОНОДАТЕЛЬСТВОМ, ДАННОЕ РУКОВОДСТВО И ОПИСАНИЕ ИЗДЕЛИЯ ВМЕСТЕ С АППАРАТНОЙ ЧАСТЬЮ, ПРОГРАММНЫМ ОБЕСПЕЧЕНИЕМ И ВСТРОЕННОЙ МИКРОПРОГРАММОЙ ПРЕДОСТАВЛЯЕТСЯ ПО ПРИНЦИПУ «КАК ЕСТЬ» И «СО ВСЕМИ НЕПОЛАДКАМИ И ОШИБКАМИ». КОМПАНИЯ HIKVISION НЕ ДАЕТ НИ ЯВНЫХ, НИ ПОДРАЗУМЕВАЕМЫХ ГАРАНТИЙ, В ТОМ ЧИСЛЕ ГАРАНТИЙ ТОВАРНОЙ ПРИГОДНОСТИ И УДОВЛЕТВОРИТЕЛЬНОГО КАЧЕСТВА, КАК И ПРИГОДНОСТИ ДЛЯ КОНКРЕТНЫХ ЦЕЛЕЙ. ПОТРЕБИТЕЛЬ ИСПОЛЬЗУЕТ ИЗДЕЛИЕ НА СВОЙ СТРАХ И РИСК. НИ ПРИ КАКИХ ОБСТОЯТЕЛЬСТВАХ КОМПАНИЯ HIKVISION НЕ НЕСЕТ ОТВЕТСТВЕННОСТИ ПЕРЕД ПОТРЕБИТЕЛЕМ НИ ЗА ФАКТИЧЕСКИ ПОТРЕБЕННЫЙ, НИ ЗА ПОСЛЕДУЮЩИЙ, КАК ПРЯМОЙ, ТАК И КОСВЕННЫЙ, УЩЕРБ, ВКЛЮЧАЯ УБЫТКИ В ВИДЕ УПУЩЕННОЙ ПРИБЫЛИ, ПЕРЕРЫВОВ В ДЕЯТЕЛЬНОСТИ, ПОТЕРИ ДАННЫХ, ДОКУМЕНТАЦИИ ИЛИ ПОВРЕЖДЕНИЯ СИСТЕМ, БУДЬ ТО ПО ПРИЧИНЕ НАРУШЕНИЯ ДОГОВОРА, ПРОТИВОПРАВНЫХ ДЕЙСТВИЙ (В ТОМ ЧИСЛЕ ХАЛАТНОСТИ), НАСТУПЛЕНИЯ ОТВЕТСТВЕННОСТИ ЗА ИЗДЕЛИЕ ИЛИ ИНЫХ ОБСТОЯТЕЛЬСТВ В СВЯЗИ С ИСПОЛЬЗОВАНИЕМ ДАННОГО ИЗДЕЛИЯ, ДАЖЕ ЕСЛИ КОМПАНИЯ HIKVISION БЫЛО ИЗВЕСТНО О ВОЗМОЖНОСТИ ТАКОГО УЩЕРБА И УБЫТКОВ.

ПОТРЕБИТЕЛЬ ОСОЗНАЕТ, ЧТО ИНТЕРНЕТ ПО СВОЕЙ ПРИРОДЕ ЯВЛЯЕТСЯ ИСТОЧНИКОМ ПОВЫШЕННОГО РИСКА БЕЗОПАСНОСТИ И КОМПАНИЯ HIKVISION НЕ НЕСЕТ ОТВЕТСТВЕННОСТИ ЗА СБОИ В РАБОТЕ ОБОРУДОВАНИЯ, УТЕЧКУ ИНФОРМАЦИИ И ДРУГОЙ УЩЕРБ, ВЫЗВАННЫЙ КИБЕРАТАКАМИ, ХАКЕРАМИ, ВИРУСАМИ ИЛИ СЕТЕВЫМИ УГРОЗАМИ; ОДНАКО НАША КОМПАНИЯ ОБЕСПЕЧИВАЕТ СВОЕВРЕМЕННУЮ ТЕХНИЧЕСКУЮ ПОДДЕРЖКУ, ЕСЛИ ЭТО НЕОБХОДИМО.

ПОТРЕБИТЕЛЬ СОГЛАШАЕТСЯ ИСПОЛЬЗОВАТЬ ДАННОЕ ИЗДЕЛИЕ В СООТВЕТСТВИИ СО ВСЕМИ ПРИМЕНИМЫМИ ЗАКОНАМИ И НЕСЕТ ЛИЧНУЮ ОТВЕТСТВЕННОСТЬ ЗА ИХ СОБЛЮДЕНИЕ. В ЧАСТНОСТИ, ПОТРЕБИТЕЛЬ НЕСЕТ ОТВЕТСТВЕННОСТЬ ЗА ИСПОЛЬЗОВАНИЕ ДАННОГО ИЗДЕЛИЯ БЕЗ НАРУШЕНИЯ ПРАВ ТРЕТЬИХ ЛИЦ, В ТОМ ЧИСЛЕ ПРАВ ПУБЛИЧНОСТИ, ИНТЕЛЛЕКТУАЛЬНОЙ СОБСТВЕННОСТИ И ЗАЩИТЫ ДАННЫХ. ПОТРЕБИТЕЛЬ ОБЯЗУЕТСЯ НЕ ИСПОЛЬЗОВАТЬ ЭТО ИЗДЕЛИЕ В ЗАПРЕЩЕННЫХ ЦЕЛЯХ, В ТОМ

ЧИСЛЕ ДЛЯ РАЗРАБОТКИ ИЛИ ПРОИЗВОДСТВА ОРУЖИЯ МАССОВОГО УНИЧТОЖЕНИЯ, ХИМИЧЕСКОГО ИЛИ БИОЛОГИЧЕСКОГО ОРУЖИЯ, ОСУЩЕСТВЛЕНИЯ КАКОЙ-ЛИБО ДЕЯТЕЛЬНОСТИ В КОНТЕКСТЕ ЯДЕРНОГО ОРУЖИЯ, НЕБЕЗОПАСНЫХ ОПЕРАЦИЙ С ЯДЕРНЫМ ТОПЛИВОМ ИЛИ ДЛЯ ПОДДЕРЖКИ НАРУШЕНИЙ ПРАВ ЧЕЛОВЕКА.


В СЛУЧАЕ РАЗНОЧИТИЙ МЕЖДУ НАСТОЯЩИМ РУКОВОДСТВОМ И ДЕЙСТВУЮЩИМ ЗАКОНОДАТЕЛЬСТВОМ, ПОСЛЕДНЕЕ ИМЕЕТ ПРИОРИТЕТ.

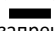
Нормативно-правовая информация


Данные положения применяются только в том случае, если изделие снабжено соответствующей отметкой или информацией.

Соответствие стандартам ЕС

CE Данный продукт и (если применимо) поставляемые аксессуары имеют маркировку «CE» и соответствуют применимым согласованным Европейским стандартам, перечисленным в Директиве по электромагнитной совместимости 2014/30/EU EMC и Директиве по ограничению использования опасных веществ 2011/65/EU RoHS.

 Директива WEEE 2012/19/EU (по утилизации отходов электрического и электронного оборудования):

 продукты, отмеченные этим символом, запрещено утилизировать в Европейском союзе в качестве несортированных муниципальных отходов. Для надлежащей переработки возвратите этот продукт местному поставщику после покупки эквивалентного нового оборудования или утилизируйте его в предназначенных для этого пунктах сбора отходов. Для получения дополнительной информации см.: www.recyclethis.info

 Директива 2006/66/EC и поправка к ней 2013/56/EU (сведения о батарее): этот продукт содержит батарею, которую запрещено утилизировать в

Европейском союзе в качестве несортированных муниципальных отходов. Для получения точной информации о батарее см. документацию к продукту. Маркировка батареи может включать символы, которые определяют ее химический состав: кадмий (Cd), свинец (Pb) или ртути (Hg). Для надлежащей утилизации отправьте батарею местному поставщику или утилизируйте ее в специальных пунктах приема отходов. Для получения дополнительной информации посетите веб-сайт www.recyclethis.info.

Инструкции по безопасности

Настоящие инструкции предназначены для того, чтобы пользователь мог правильно использовать устройство, чтобы избежать опасности или потери имущества.

Законодательные акты и нормативные документы

При использовании этого устройства необходимо соблюдать местное законодательство, правила безопасной эксплуатации электрооборудования и правила противопожарной безопасности.

Транспортировка

- Используйте оригинальную или схожую

упаковку для транспортировки устройства.

- После распаковки сохраните упаковочные материалы для дальнейшего использования. В случае неисправности вам потребуется вернуть устройство на завод в оригинальной упаковке.
- Транспортировка без оригинальной упаковки может привести к повреждению устройства, и компания не будет нести за это ответственности.

- Не роняйте и не ударяйте устройство. Устройство необходимо размещать вдали от источников электромагнитных помех.

Электропитание

- Приобретите зарядное устройство самостоятельно. Входное напряжение должно соответствовать ограниченному источнику питания (48 В постоянного тока) в соответствии со стандартом IEC62368. Подробная информация приведена в таблице технических данных.
- Убедитесь, что вилка правильно подключена к розетке электропитания.
- Электрическая розетка должна находиться рядом с устройством и должна быть легко доступна.
- Во избежание перегрева или возгорания из-за перегрузки ЗАПРЕЩАЕТСЯ подключать несколько устройств к одному адаптеру питания.
- НЕ ПРИКАСАЙТЕСЬ к оголенным металлическим контактам на входах после отключения автоматического выключателя цепи. На них остается электрический заряд.
- + обозначает положительный контакт оборудования, который должен подключаться к источнику постоянного тока. - обозначает отрицательный контакт оборудования, который должен подключаться к источнику постоянного тока.
- Проверьте правильность подключения клемм к сети переменного тока.

Батарея

- При установке батареи недопустимого типа существует риск взрыва. Утилизируйте использованные батареи в соответствии с инструкциями.
- Встроенная батарея не подлежит разборке. В случае необходимости ремонта обратитесь к производителю.
- При длительном хранении батареи полностью заряжайте ее каждые полгода, чтобы обеспечить ее работоспособность. В противном случае батарея может выйти из строя.
- Данное устройство не предназначено для использования в тех местах, где могут находиться дети.
- Установка батареи недопустимого типа может создать угрозу для безопасности (например, в случае некоторых типов литиевых батарей).
- Не бросайте батарею в огонь или горячую печь, не сдавливайте и не разрезайте батарею, поскольку это может привести к взрыву.
- Нахождение батареи в среде с чрезвычайно высокой температурой может привести к взрыву или к утечке горючей жидкости или газа.
- Нахождение батареи в среде с чрезвычайно низким давлением воздуха может привести к взрыву или к утечке горючей жидкости или газа.

Установка

- Никогда не ставьте устройство на неустойчивую поверхность. Падение устройства на человека может стать причиной серьезных травм или смерти.
- Данное оборудование предназначено для использования только с подходящими кронштейнами. Использование оборудования с

другими принадлежностями (тележками, подставками или держателями) может привести к травмам в результате неустойчивости устройства.

Безопасность системы

- Вы осознаете, что интернет по своей природе является источником повышенного риска безопасности, и наша компания не несет ответственности за сбои в работе оборудования, утечку информации и другой ущерб, вызванный кибератаками, хакерами; однако наша компания обеспечивает своевременную техническую поддержку, если это необходимо.
- Обязательно обеспечьте защиту личной информации и безопасность данных, поскольку при подключении устройства к сети Интернет могут возникнуть проблемы, связанные с сетевой безопасностью. Свяжитесь с нами, если при эксплуатации устройства возникает угроза безопасности сети.
- Помните, что вы несете ответственность за конфигурирование всех паролей и прочих параметров безопасности устройства, а также за сохранность своего имени пользователя и пароля.

Техническое обслуживание

- Если изделие не работает должным образом, обратитесь к дилеру или к специалистам ближайшего сервисного центра. Компания-изготовитель не несет ответственности за неисправности, возникшие в результате несанкционированного ремонта или технического обслуживания.
 - Некоторые компоненты устройства (например, электролитические конденсаторы) требуют регулярной замены. Средний срок службы этих компонентов может различаться, поэтому советуем периодически их проверять. Подробности уточните у продавца.
 - При необходимости осторожно протрите устройство чистой салфеткой, смоченной небольшим количеством этилового спирта.
 - Если оборудование используется способом, не указанным производителем, обеспечиваемая устройством безопасность может быть нарушена.
 - Для снижения риска возникновения пожара используйте для замены предохранители только соответствующего типа и номинала.
 - Последовательный порт оборудования предназначен только для отладки.
 - Отключайте источник электропитания перед техническим обслуживанием устройства.
- #### **Требования к рабочей среде**
- Убедитесь, что рабочая среда удовлетворяет требованиям надлежащей работы устройства. Рабочая температура должна находиться в диапазоне от -40°C до 70°C, а рабочая влажность не должна превышать 95% (без конденсации).
 - ЗАПРЕЩАЕТСЯ устанавливать устройство в условиях воздействия сильного электромагнитного излучения или в пыльной среде.
 - Не направляйте объектив устройства на солнце или другие яркие источники света.
 - Устройство не должно подвергаться воздействию капель и брызг; не допускается ставить на него предметы, наполненные жидкостью, например, вазы с цветами.
 - Не ставьте на устройство источники открытого огня, например горящие свечи.
 - В особых условиях, таких как горные вершины, железные башни и лесные массивы, установите ограничитель перенапряжения на входе оборудования.
 - Опасность ожога пальцев при обращении с деталями, обозначенными символом ⚠. Перед

прикосновением к деталям устройства подождите полчасика после его выключения.

Кнопки подачи экстренного сигнала тревоги

• Если устройство испускает дым, неприятный запах или шум, незамедлительно отключите электропитание, извлеките шнур питания и обратитесь в сервисный центр.

Адрес производителя

No.555 Qianmo Road, Binjiang District, Hangzhou 310052, China
Hangzhou Hikvision Digital Technology Co., Ltd.

УВЕДОМЛЕНИЕ О СООТВЕТСТВИИ: В различных

странах и регионах, включая США, ЕС, Великобританию и/или другие страны, подписавшие Вассенарские соглашения, на тепловизионные устройства могут распространяться правила экспортного контроля. При необходимости транспортировки между странами, экспорта или реэкспорта тепловизионных устройств обратитесь к юристу, специалисту по соблюдению нормативно-правового соответствия или местным органам власти для получения информации о разрешении на экспорт.

Українська



Зовнішній вигляд виробу зображено лише для довідки; вигляд фактичного виробу може відрізнятись.

Зовнішній вигляд (сторінка 2 – А)

Існує два типу систем позиціонування термосфери. Для довідки див. фактичний пристрій.

Опис кабелів (сторінка 2 – В)

1. RS-485
2. Мережевий кабель: підключіть мережевий інтерфейс через мережевий кабель.
3. BNC: підключіть інтерфейс відео.
4. Кабель тривоожної сигналізації: підключіть роз'єм ALARM-IN до роз'єму GND, а також підключіть роз'єм ALARM-OUT до роз'єму ALARM-COM.
5. Кабель живлення: підтримує джерело живлення 48 В постійного струму.

Установлення камери (сторінка 3 – С)

Кроки встановлення для обох типів камер однакові. Далі наведений приклад установлення камери II типу.

Порядок установлення:

1. Пересуньте пристрій у необхідне місце одним з наступних способів.
 - a) Витягніть гумові заглишки у верхній частині пристрою, вставте та закріпіть підйомні кільця у отвори, і перемістіть пристрій у потрібне місце важелем або краном.
 - b) Витягніть гумові заглишки в основі пристрою, вставте та зафіксуйте в отворах коромисла для перенесення вручну, і потім підійміть та перемістіть пристрій у потрібне місце.
2. Просвердліть шість отворів у кронштейні відповідно до розмірів кронштейна.
3. Візьміть шість гвинтів M10 x 50 і закріпіть пристрій до кронштейна гвинтами.
4. Витягніть палець горизонтального позиціонування вгору, і поверніть палець на 90° за годинниковою стрілкою для розблокування пристрою. Якщо процедура виконана правильно, ви почуєте клацання.
5. Витягніть підйомні кільця та коромисла і встановіть на місце гумові заглишки.
6. Нанесіть на гвинти захисний гель від корозії.

Встановлення блока живлення (сторінка 4 – D)

Перед початком установлення самостійно підготуйте монтажну панель і закріпіть її в потрібному місці.

Спосіб I: Вертикальне встановлення

Порядок установлення:

1. Просвердліть чотири отвори ф 6,5 мм у монтажній панелі, відповідно до вказівок на D – I – ①.
2. Закрутіть чотири гвинти M6 у монтажну

- панель. Залиште щонайменше 5 мм між голівкою гвинта та монтажною панеллю.
3. Сумістіть чотири більш отвори позадку панелі блока живлення з чотирма гвинтами, перемістіть блок живлення вниз, щоб підвісити його на монтажній панелі, і затягніть гвинти для фіксації блока живлення.
4. Зніміть водозахисні кришки і підключіть відповідні кабелі.

Спосіб II: Горизонтальне встановлення

Порядок установлення:

1. Просвердліть чотири отвори ф 6,5 мм у монтажній панелі, відповідно до вказівок на D – I – ①.
2. Прикріпіть блок живлення до монтажної панелі чотирма гвинтами M6.

Водонепроникний спосіб (сторінка 6 – E)

1. Установіть водонепроникну оболонку мережевого кабелю.
2. Захистіть кабельні з'єднувачі та незадіяні кабелі водонепроникною стрічкою, що входить у комплект.

Вихід сигналу тривоги (сторінка 6 – F)

- ① Релейний вихід
- ② Навантаження постійного струму
- ③ Джерело живлення
- ④ Реле JQC-3FG

Заходи захисту (сторінка 7 – G – 1)

Активізація мережевої камери й доступ до неї (сторінка 7 – G – 2)

Посібник користувача



©2022 Hangzhou Hikvision Digital Technology Co., Ltd. Усі права застережено.

Про цю Інструкцію

Ця Інструкція містить вказівки з використання виробу та керування ним. Рисунок, діаграми, зображення та вся інша інформація в цьому документі надається лише для опису та пояснення. Інформація, що міститься в Інструкції, може змінюватися без попередження внаслідок оновлення прошивки чи з інших причин. З останньою версією цієї інструкції можна ознайомитися на вебсайті

Hikvision (<https://www.hikvision.com/>). Використовуйте Інструкцію під наглядом фахівців, які навчені обслуговувати Виріб. **Торгові марки**

HIKVISION та інші торгові марки компанії Hikvision і логотипи є власністю компанії Hikvision у різних юрисдикціях.

Інші наведені торгові марки та логотипи є власністю їх відповідних власників.

ОБМЕЖЕННЯ ВІДПОВІДАЛЬНОСТІ

В МАКСИМАЛЬНИХ МЕЖАХ, ДОВОЗЛЕНИХ ЗАСТОСОВУВАНИМ ЗАКОНОМ, ЦЕ КЕРІВНИЦТВО ТА ОПИСАНИЙ ВИРІБ, З ЙОГО АПАРАТНИМ, ПРОГРАМНИМ ТА МІКРОПРОГРАМНИМ ЗАБЕЗПЕЧЕННЯМ, НАДАЮТЬСЯ «ЯК Є» ТА «ЗІ ВСІМА НЕДОЛІКАМИ ТА ПОМИЛКАМИ». HIKVISION НЕ НАДАЄ ЖОДНИХ ГАРАНТІЙ, ЯВНИХ АБО ОЧІКУВАНИХ, ВКЛЮЧАЮЧИ, БЕЗ ОБМЕЖЕНЬ, КОМЕРЦІЙНІ ЯКОСТІ, ЗАДОВОЛЬНУ ЯКІСТЬ АБО ПРИДАТНІСТЬ ДЛЯ ХАРАКТЕРНОЇ МЕТИ. ВИКОРИСТАННЯ ВИРОБУ ВІДБУВАЄТЬСЯ НА ВАШІ ВЛАСНІЙ РИЗИК. КОМПАНІЯ HIKVISION НІ В ЯКОМУ РАЗІ НЕ НЕСЕ ВІДПОВІДАЛЬНОСТІ ПЕРЕД ВАМИ ЗА БУДЬ-ЯКІ СПЕЦІАЛЬНІ, ЛОГІЧНО ВИТАКАЮЧІ, ВИПАДКОВІ АБО НЕПРЯМІ ЗБИТКИ, ВКЛЮЧАЮЧІ, КРІМ ІНШОГО, ПОШКОДЖЕННЯ, ЩО ВЕДУТЬ ДО ВТРАТИ КОМЕРЦІЙНОГО ПРИБУТКУ, ПЕРЕРИВАННЯ ДІЛОВОЇ АКТИВНОСТІ АБО ВТРАТИ ДАНИХ, ПСУВАННЯ СИСТЕМ АБО ВТРАТИ ДОКУМЕНТАЦІЇ, НЕВАЖЛИВО, ЧИ ВНАСЛІДОК ПОРУШЕННЯ КОНТРАКТУ, ЦИВІЛЬНОГО ПРАВОПОРУШЕННЯ (ВКЛЮЧАЮЧИ НЕДБАЛЬСЬ), ВІДПОВІДАЛЬНОСТІ ЗА ВИРІБ, АБО ІНШИМ ЧИНОМ, ПОВ'ЯЗАНИХ З ВИКОРИСТАННЯМ ВИРОБУ, НАВІТЬ ЯКЩО КОМПАНІЯ HIKVISION ПОВІДОМЛЯЛА ПРО МОЖЛИВІСТЬ ТАКИХ ЗБИТКІВ АБО ВТРАТ. ВИ УСВІДОМЛЮЄТЕ, ЩО ПРИРОДА ІНТЕРНЕТУ НЕСЕ ПРИТАМАННІ РИЗИКИ ДЛЯ БЕЗПЕКИ, І КОМПАНІЯ HIKVISION НЕ БЕРЕ НА СЕБЕ НІЯКОЇ ВІДПОВІДАЛЬНОСТІ ЗА НЕНОРМАЛЬНУ РОБОТУ, ВТРАТУ КОНФІДЕНЦІАЛЬНОСТІ АБО ІНШІ ЗБИТКИ В РЕЗУЛЬТАТІ КІБЕР-АТАК, ХАКЕРСЬКИХ АТАК, ЗАРАЖЕНЬ ВІРУСАМИ АБО ІНШИХ РИЗИКІВ ДЛЯ БЕЗПЕКИ В ІНТЕРНЕТІ, ОДНАК, КОМПАНІЯ HIKVISION В РАЗІ НЕОБХІДНОСТІ НАДАСТЬ СВОЄЧАСНУ ТЕХНІЧНУ ПІДТРИМКУ. ВИ ПОГОДЖУЄТЕСЬ ВИКОРИСТОВУВАТИ ЦЕЙ ВИРІБ У ВІДПОВІДНОСТІ ДО ВСІХ ЗАСТОСОВУВАНИХ ЗАКОНІВ, І ВИ НЕСЕТЕ ОДНООСІБНУ ВІДПОВІДАЛЬНІСТЬ ЗА ЗАБЕЗПЕЧЕННЯ ВИКОРИСТАННЯ ВИРОБУ ВІДПОВІДНО ДО ЗАСТОСОВУВАНОВОГО ЗАКОНУ. ЗОКРЕМА, ВИ НЕСЕТЕ ВІДПОВІДАЛЬНІСТЬ ЗА ВИКОРИСТАННЯ ЦЬОГО ВИРОБУ СПОСОБОМ, ЯКИЙ НІ ПОРУШУЄ ПРАВА ТРЕТІХ СТОРІН, ВКЛЮЧАЮЧИ, БЕЗ ОБМЕЖЕНЬ, ПРАВА РОЗГЛОШЕННЯ, ПРАВА ІНТЕЛЕКТУАЛЬНОЇ ВЛАСНОСТІ ТА ІНШІ ПРАВА ЩОДО КОНФІДЕНЦІЙНОСТІ. ВИ НЕ ПОВИННІ ВИКОРИСТОВУВАТИ ЦЕЙ ВИРІБ ДЛЯ БУДЬ-ЯКОГО ЗАБОРОНЕНОГО КІНЦЕВОГО ПРИЗНАЧЕННЯ, ВКЛЮЧАЮЧИ РОЗРОБКУ ВИРОБНИЦТВА ЗБРОЇ МАСОВОГО ЗНИЩЕННЯ, РОЗРОБКУ ВИРОБНИЦТВА ХІМІЧНОЇ АБО БІОЛОГІЧНОЇ ЗБРОЇ, БУДЬ-ЯКІ ДІЇ В КОНТЕКСТІ, ПОВ'ЯЗАНІ З ЯДЕРНОЮ ВИБУХОВОЮ РЕЧОВИНОЮ АБО НЕБЕЗПЕЧНИМ ЯДЕРНИМ ПАЛИВИНИМ ЦИКЛОМ, АБО НА ПІДТРИМКУ ПОРУШЕНЬ ПРАВ ЛЮДИНИ. У РАЗІ БУДЬ-ЯКИХ ПРОТИРІЧЬ МІЖ ЦИМ

КЕРІВНИЦТВОМ ТА ЗАСТОСОВУВАНИМ ЗАКОНОМ, ОСТАННІЙ МАЄ ПЕРЕВАГУ.

Нормативна інформація

Ці положення застосовуються лише до продуктів, які мають відповідний знак або інформацію.

Заява про відповідність стандартам ЄС



Цей виріб і його аксесуари (якщо є в комплекті) мають маркування «CE», а отже відповідають чинним

гармонізованим європейським стандартам, переліченим у Директиві щодо електромагнітної сумісності (EMC) 2014/30/ЄС і Директиві щодо обмеження вмісту шкідливих речовин (RoHS) 2011/65/ЄС.



2012/19/ЄС (Директива з утилізації електричного й електронного обладнання, WEEE): Вироби, помічені цим символом, не можна утилізувати у

Європейському Союзі як несортовані побутові відходи. Щоб забезпечити правильну переробку цього виробу, поверніть його місцевому постачальнику під час придбання аналогічного нового обладнання, або здайте його до спеціально призначеного пункту збирання відходів. Більше інформації див. на сайті: www.recyclethis.info



2006/66/ЄС із поправками 2013/56/ЄС (Директива щодо акумуляторів): Цей виріб містить батарею, яку не можна утилізувати у Європейському Союзі як

несортовані побутові відходи. Інформацію щодо батареї див. у документації до виробу. Батарея помічена цим символом, який може включати букви, які вказують на наявність кадмію (Cd), свинцю (Pb) або ртуті (Hg). Щоб забезпечити правильну переробку батареї, поверніть її постачальнику або здайте до спеціалізованого пункту збирання відходів. Більше інформації див. на сайті: www.recyclethis.info.

Інструкції щодо безпеки

Ці інструкції дозволять користувачу використовувати виріб правильно та уникати небезпеки чи пошкодження майна.

Закони та норми

Пристрій слід використовувати з дотриманням місцевих законів, електротехнічних норм та правил протипожежної безпеки.

Транспортування

- Під час транспортування зберігайте пристрій в оригінальному або подібному пакуванні.
- Після розпакування виробу зберігайте всі елементи упаковки для майбутнього використання. У разі виникнення будь-яких несправностей ви повинні будете повернути пристрій на завод з оригінальною упаковкою.
- Транспортування без оригінальної упаковки може призвести до пошкодження пристрою, за що компанія не несе відповідальності.
- Не допускайте падіння виробу або впливу на нього механічних ударів. Тримайте пристрій подалі від магнітних завод.


Живлення

- Придбайте зарядний пристрій самостійно. Вхідна напруга повинна відповідати вимогам до джерел живлення обмеженої потужності (48 В постійного струму) згідно зі стандартом IEC62368. Щоб отримати докладну інформацію, див. технічні характеристики.

- Переконайтесь, що штепсельну вилку надійно зафіксовано в розетці.
 - Розетка має бути встановлена біля обладнання і до неї повинен бути вільний доступ.
 - НЕ ПІДКЛЮЧАЙТЕ декілька пристроїв до одного адаптера живлення, щоб уникнути перегрівання чи небезпеки пожежі внаслідок перевантаження.
 - НЕ ТОРКАЙТЕСЯ оголених металевих контактів на входах після вимкнення автоматичного вимикача. На них залишається електричний заряд.
 - + позначає позитивну клему(и) обладнання, що використовує постійний струм чи генерує його. - позначає негативну клему(и) обладнання, що використовує постійний струм чи генерує його.
 - Виконайте правильне підключення дротів від клем пристрою до розетки живлення змінним струмом.
- ### Батарея
- Встановлення батареї невідповідного типу може призвести до вибуху. Утилізуйте використані батареї згідно з інструкціями.
 - Вбудовану батарею не можна знімати. Якщо потрібен ремонт, зверніться до виробника.
 - У разі тривалого зберігання батареї повністю заряджайте її щопівгодини, щоб забезпечити її роботоздатність. Інакше батарея може вийти з ладу.
 - Це обладнання не підходить для використання у місцях, де можуть перебувати діти.
 - Встановлення батареї невідповідного типу може призвести до порушення системи захисту (зокрема, у разі використання літєвих батарей деяких типів).
 - Не кидайте батарею у вогонь або у гарячу чіп і не розбивайте та не розрізуйте батарею. Це може призвести до вибуху.
 - Не залишайте батарею в місцях із дуже високою температурою. Це може призвести до вибуху або витіку вогнебезпечної рідини або газу.
 - Не залишайте батарею в місцях із дуже низьким атмосферним тиском. Це може призвести до вибуху або витіку вогнебезпечної рідини або газу.
- ### Установлення
- Ніколи не розміщуйте обладнання на хиткій поверхні. Обладнання може впасти, що може призвести до серйозної травми або смерті.
 - Це обладнання можна використовувати лише з кронштейнами відповідного типу. Використання чогось іншого (візків, стійок або кріплень) може призвести до падіння обладнання й до травмування.
- ### Безпека системи
- Ви усвідомлюєте, що природа Інтернету несе притаманні ризики для безпеки, і наша компанія не бере на себе ніякої відповідальності за ненормальну роботу, втрату конфіденційності або інші збитки в результаті кібератак і хакерських атак, однак наша компанія за потреби надасть своєчасну технічну підтримку.
 - Забезпечте захист особистої інформації та захист даних, оскільки під час підключення до Інтернету пристрій може зіткнутися з проблемами мережевої безпеки. У разі виникнення ризиків для мережевої безпеки пристрою зверніться до нас.
 - Усвідомте, що ви несете відповідальність за налаштування всіх паролів та інших параметрів безпеки пристрою, а також за збереження свого імені користувача та пароля.
- ### Технічне обслуговування

- Якщо виріб не працює належним чином, зверніться до вашого дилера або найближчого сервісного центру. Ми не несемо жодної відповідальності за проблеми, які виникли внаслідок незарядженого ремонту чи догляду.
 - Пристрій містить декілька компонентів (напр., електrolітичний конденсатор), які необхідно регулярно замінювати. Середній термін служби різняться, тому рекомендується регулярно перевіряти ці компоненти. Для додаткової інформації звертайтеся до вашого дилера.
 - За потреби обережно протріть пристрій чистою тканиною, змоченою невеликою кількістю етилового спирту.
 - Якщо обладнання використовується в спосіб, не зазначений виробником, то забезпечувану пристроєм безпеку може бути порушено.
 - Для зменшення ризику пожежі замінійте лише на запобіжник такого ж типу і з такими ж характеристиками.
 - Послідовний порт обладнання використовується лише для налагодження.
 - Під час технічного обслуговування вимикайте джерело живлення.
- ### Умови експлуатації
- Переконайтесь, що середа використання відповідає умовам експлуатації пристрою. Робоча температура має становити від -40 °C до 70 °C (від -40 °F до 158 °F), а робоча вологість – не більше 95%, без утворення конденсату.
 - НЕ ДОПУСКАЙТЕ потрапляння пристрою в середовище із сильним електромагнітним випромінюванням чи заповнене середовище.
 - НЕ СПРЯМУЙТЕ об'єкти на сонце або інші джерела яскравого світла.
 - Не допускайте потрапляння на обладнання крапель чи бризок. Ніколи не ставте на обладнання предмети, наповнені рідиною, як-от вази.
 - Забороняється розміщувати на обладнанні джерела відкритого вогню, як-от свічки, які горять.
 - Якщо обладнання розміщується на вершині гори, залізної башти чи у лісі, встановіть на вході обмежувач напруги.
 - Будьте обережні, щоб не обпекти пальці об деталі, помічені символом ⚠. Після вимкнення живлення зачекайте півгодини, перш ніж працювати з цими деталями.
- ### Аварійні ситуації
- Якщо пристрій випускає дим, запах або видає шум, негайно вимкніть живлення, від'єднайте кабель живлення та зверніться в сервісний центр.
- ### Адреса виробника
- Цяньмо Род, 555, р-н Біньцзян, м. Ханчжоу, 310052, Китай
Hangzhou Hikvision Digital Technology Co., Ltd.

ПРИМІТКА ЩОДО ВІДПОВІДНОСТІ НОРМАТИВНИМ ВИМОГАМ: Пристрої теплової серії можуть регулюватися положеннями контролю експорту в різних країнах або регіонах, включаючи, без обмежень, Сполучені Штати Америки, Європейський Союз, Об'єднане Королівство та/або інші країни-учасники Вассенаарської домовленості. Проконсультуйтеся з вашим професійним юристом або експертом із відповідності нормативним вимогам як місцевими органами влади щодо необхідності експортних ліцензій, якщо ви плануєте передавати, експортувати або реекспортувати пристрої теплової серії між різними країнами.

 이 설명서에 있는 제품 그림은 참고용이며 실제 제품과 다를 수 있습니다.

외관(페이지 2-A)

열구 위치 확인 시스템에는 두 가지 유형이 있습니다. 실제 장비를 참조하시기 바랍니다.

케이블 설명(페이지 2-B)

1. RS-485
2. 네트워크 케이블: 네트워크 케이블로 네트워크 인터페이스를 연결합니다.
3. BNC: 비디오 인터페이스를 연결합니다.
4. 알람 케이블: GND 터미널로 ALARM-IN 터미널을 연결한 다음 ALARM-OUT 터미널과 ALARM-COM 터미널을 연결합니다.
5. 전원 입력 케이블: 48 VDC 전원 공급을 지원합니다.

카메라 설치(페이지 3-C)

두 가지 유형의 카메라를 설치하는 단계는 같습니다. 여기에서는 유형 II 카메라를 예로 들어 설명합니다.

단계:

1. 다음 방법 중 하나를 사용해 장비를 지정된 위치로 이동합니다.
 - a) 장비 상단에 있는 고무 플러그를 빼내고 리프팅 링을 구멍에 삽입해 고정된 다음 레버 또는 크레인으로 장비를 지정된 위치로 이동합니다.
 - b) 장비 베이스에 있는 고무 플러그를 빼내고 휴대용 풀을 구멍에 삽입하고 고정된 다음 장비를 들어올려 지정된 위치로 이동합니다.
2. 브래킷의 치수에 따라 브래킷에 6 개의 구멍을 뚫습니다.
3. M10 x 50 나사 6개를 꺼내 나사를 사용해 장비를 브래킷에 고정합니다.
4. 수평 포지셔닝 핀을 위쪽으로 당긴 다음 포지셔닝 핀을 시계 방향으로 90° 돌려 장비의 잠금을 해제합니다. 성공적으로 작동하면 딸깍하는 소리가 들립니다.
5. 리프팅 링과 휴대용 풀을 제거하고 고무 플러그를 다시 삽입합니다.
6. 나사에 부식 방지 젤을 도포합니다.

파워 박스 설치 (페이지 4-D)

설치를 시작하기 전에 설치 패널을 준비하고 필요한 위치에 고정합니다.

방법 I: 수직 설치

단계:

1. D-1-①의 지침에 따라 설치 패널에 $\phi 6.5\text{mm}$ 구멍을 4 개 뚫어줍니다.

2. M6 나사 4 개를 설치 패널에 조입니다. 나사 머리와 설치 패널 사이에 최소 5mm의 여유 공간을 두십시오.
3. 나사 4 개를 파워 박스 뒷면 패널에 있는 큰 구멍 4 개에 맞추고 파워 박스를 아래로 움직여 설치 패널에 건 다음 나사를 조여 파워 박스를 고정합니다.
4. 방수 커버를 제거하고 해당 케이블들을 연결합니다.

방법 II: 수평 설치

단계:

1. 지침에 따라 설치 패널에 $\phi 6.5\text{mm}$ 구멍을 4 개 뚫어줍니다(D-1-① 참조).
2. M6 나사 4 개로 설치 패널에 파워 박스를 고정합니다.

방수 방법(페이지 6-E)

1. 네트워크 케이블 방수 재킷을 설치합니다.
2. 제공된 방수 테이프를 사용하여 케이블 커넥터 및 사용하지 않는 케이블을 보호합니다.

알람 출력(페이지 6-F)

- ① 릴레이 출력
- ② DC 부하
- ③ 전원 공급 장치
- ④ JQC-3FG 릴레이

보호 조치(페이지 7-G-1)

네트워크 카메라 활성화 및 액세스 (페이지 7-G-2)

사용 설명서



©2022 Hangzhou Hikvision Digital Technology Co., Ltd. 판권 보유.

매뉴얼 소개

본 매뉴얼에는 제품의 사용 및 관리에 필요한 지침이 포함되어 있습니다. 매뉴얼의 그림, 차트, 이미지 및 기타 모든 정보는 설명용으로만 제공되는 것입니다. 매뉴얼에 포함된 정보는 펌웨어 업데이트 또는 다른 사유로 예고 없이 변경될 수 있습니다. 이 매뉴얼의 최신 버전을

보려면
 웹사이트 (<https://www.hikvision.com/>)를
 방문하십시오.
 본 매뉴얼은 제품 지원 교육을 받은
 전문가의 안내 및 지원 하에
 사용하십시오.

Hikvision


개발 또는 생산을 포함해 금지된 최종
 용도를 위해 본 제품을 사용하지
 않습니다.
 본 매뉴얼과 적용되는 법률 사이에 충돌이
 발생하는 경우 법률이 우선합니다.

규제 정보

**이 조항은 해당 마크 또는 정보가 있는
 제품에만 적용됩니다.**

EU 적합성 선언

CE 본 제품은 및 제공되는
 액세서리(해당되는 경우)에는 “CE”가
 표시되어 있으며 EMC Directive 2014/30/EU,
 RoHS Directive 2011/65/EU 에 명시된
 적용되는 유럽 공통 표준을 준수합니다.

 2012/19/EU(WEEE 지침): 이 기호가
 표시된 제품은 유럽 연합 내에서
 분류되지 않은 일반폐기물로 폐기할
 수 없습니다. 적절히 재활용하기
 위해 등급 장비를 새로 구매할 때 현지
 공급업체에 제품을 반납하거나 지정된
 수거 장소에 폐기하십시오. 자세한 내용
 확인: www.recyclethis.info

 2006/66/EC 및 개정
 2013/56/EU(배터리 지침): 개 본
 제품은 유럽 연합 내에서
 분류되지 않은 일반폐기물로 폐기할 수
 없는 배터리가 포함되어 있습니다. 특정
 배터리에 관한 자세한 내용은 제품 관련
 문서를 참조하십시오. 이 기호가 표시된
 배터리에는 카드뮴(Cd), 납(Pb) 또는
 수은(Hg)을 나타내는 글자가 포함될 수
 있습니다. 적절히 재활용하기 위해
 공급업체에 배터리를 반납하거나 지정된
 수거 장소에 폐기하십시오. 자세한 내용
 확인: www.recyclethis.info 를 참조하십시오.

안전 지침

이 지침은 사용자가 제품을 올바르게
 사용해 위험 또는 재산상의 손실을
 방지하도록 하기 위해 제공되는 것입니다.

법률 및 규정

이 장비는 현지 법률, 전기 안전 규정 및
 화재 예방 규정을 준수해 사용해야 합니다.

운반

- 장비를 운반할 때는 본래 포장재 또는
 유사한 포장재에 장비를 놓으십시오.
- 포장을 뜯은 다음에는 나중에 사용할 수
 있도록 모든 포장재를 보관하십시오.
 고장이 발생할 경우에는 장비를 본래 포장
 상태로 포장해 공장으로 반송해야 합니다.
- 본래 포장 상태로 운송하지 않으면
 장비가 손상될 수 있으며, 회사는 일절
 책임지지 않습니다.
- 제품을 떨어뜨리거나 물리적 충격을
 가하지 마십시오. 장비가 전자파의 간섭을

HIKVISION 및 기타 Hikvision 의 상표와
 로고는 여러 관할 지역에 등록된
 Hikvision 의 재산입니다.

기타 상표 및 로고는 각 소유자의
 재산입니다.

면책 조항

관련 법률에서 허용하는 최대 범위에서 본
 매뉴얼 및 설명된 제품은 하드웨어,
 소프트웨어와 펌웨어의 모든 결함 및
 오류가 “있는 그대로” 제공됩니다.
HIKVISION 은 상품성, 품질 만족도, 특정
 목적에의 적합성 및 타사의 비침해를
 포함하여(이에 국한되지 않음) 명시적 또는
 묵시적으로 무엇도 보증하지 않습니다.
 제품 사용 시 책임은 전적으로 사용자에게
 있습니다. **HIKVISION** 은 어떠한 경우에도
 제품의 사용과 관련해 발생하는 특별한,
 결과적, 부수적 또는 간접적 손해 및
 특히 인안 손해 또는 데이터의 손실, 시스템 장애
 또는 문서의 손실에 대해 계약 위반,
 불법 행위(과실 책임 포함), 제조물 책임
 또는 위 제품 사용 관련성과 관계 없이
 책임지지 않으며, 이는 **HIKVISION** 이
 해당 손실 또는 손실이 발생할 가능성을
 권고한 경우에도 마찬가지입니다.

귀하는 인터넷의 특성상 본질적으로 보안
 위험이 잠재해 있음을 인정하며,
HIKVISION 은 사이버 공격, 해커 공격,
 바이러스 감염 또는 기타 인터넷 보안
 위험으로 인해 발생하는 비정상 작동,
 개인정보 유출 또는 기타 손해에 대해
 일절 책임지지 않습니다. 그러나
HIKVISION 은 필요한 경우 시기적절하게
 기술 지원을 제공합니다.

귀하는 해당되는 모든 법률을 준수해 본
 제품을 사용하는 데 동의하며, 해당되는
 법률을 준수해 사용하는 것은 전적으로
 귀하의 책임입니다. 특히, 귀하는
 퍼블리시티권, 지적 재산권, 데이터 보호
 및 기타 개인 정보 보호권을 포함하되
 이에 국한되지 않고 제 3 자의 권리를
 침해하지 않는 방식으로 본 제품을
 사용하는 것에 대해 책임을 집니다.
 귀하는 대량 살상 무기 개발 또는 생산,
 화학 또는 생물 무기 개발 또는 생산,
 핵폭발 또는 안전하지 않은 핵연료 주기와
 관련된 또는 인권 침해를 조장할 수 있는

받지 않도록 하십시오.

전원 공급 장치

- 충전기는 직접 구입하십시오. IEC62368 표준에 따라 입력 전압은 LPS(48 VDC)를 충족해야 합니다. 자세한 내용은 기술 사양을 참조하십시오.
- 플러그가 전원 소켓에 올바르게 연결되어 있는지 확인하십시오.
- 콘센트는 장비 근처에 설치되어 있어야 하고 쉽게 접근할 수 있어야 합니다.
- 과부하로 인한 과열 또는 화재 위험을 방지하기 위해 하나의 전원 어댑터에 여러 장비를 연결하지 마십시오.
- 회로 차단기가 꺼진 후 인렛에 있는 노출된 금속 접점을 손으로 만지지 마십시오. 전기가 남아 있습니다.
- +은 직류에 사용하거나 직류를 생성하는 장비의 양극 터미널을 의미합니다. -은 직류에 사용하거나 직류를 생성하는 장비의 음극 터미널을 의미합니다.
- AC 주 전원 공급 장치에 연결하기 위해 배선 및 단자가 올바른지 확인하십시오.

배터리

- 배터리를 잘못된 유형으로 교체하면 폭발의 위험이 있습니다. 사용한 배터리는 지침을 준수해 폐기하십시오.
- 내장 배터리는 분해할 수 없습니다. 제품 수리가 필요하신 경우 제조업체에 문의하십시오.
- 배터리를 장기간 보관하는 경우 배터리의 품질을 보장하기 위해 6개월마다 완충하십시오. 그렇지 않을 경우 손상될 수 있습니다.
- 이 장비는 어린이가 있을 수 있는 장소에서 사용하기에 적합하지 않습니다.
- 배터리를 잘못된 유형으로 부적절하게 교체하면 안전장치가 작동하지 않을 수 있습니다(예: 일부 리튬 배터리 유형의 경우).
- 배터리를 불 또는 뜨거운 오븐에 넣거나 기계적으로 부수거나 절단하지 마십시오. 폭발의 위험이 있습니다.
- 배터리를 주변 온도가 매우 높은 곳에 두지 마십시오. 폭발하거나 인화성 액체 또는 기체가 누출될 수 있습니다.
- 배터리를 기압이 매우 낮은 곳에 두지 마십시오. 폭발하거나 인화성 액체 또는 기체가 누출될 수 있습니다.

설치

- 장비를 불안정한 장소에 놓아서는 절대 안 됩니다. 장비가 추락해 심각한 부상 또는 사망을 초래할 수 있습니다.
- 이 장비는 해당하는 브래킷만 사용할 수 있습니다. 다른 브래킷(카트, 스탠드 또는 캐리어)을 사용하면 불안정해져 부상을 초래할 수 있습니다.

시스템 보안

- 귀하는 인터넷의 특성상 본질적으로 보안 위험이 잠재해 있음을 인정하며, 당사는 사이버 공격, 해커 공격, 바이러스 감염 또는 기타 인터넷 보안 위험으로 인해 발생한 비정상 작업, 개인정보 유출 또는 기타 손해에 대해 일질 책임지지 않습니다. 그러나 당사는 필요한 경우 시기적절하게 기술 지원을 제공합니다.
- 인터넷에 연결되어 있는 경우 네트워크 보안 문제가 발생할 수 있으므로 개인정보 보호 및 데이터 보안을 강화해 주시기 바랍니다. 장비에 네트워크 보안 위험이 있을 수 있는 경우 당사에 연락해 주십시오.
- 귀하는 장비와 관련된 모든 비밀번호 및 기타 보안 설정을 구성하고 사용자 이름 및 비밀번호를 관리할 책임이 있음을 이해합니다.

유지 관리

- 제품이 제대로 작동하지 않을 경우 판매점 또는 가까운 서비스 센터에 문의하십시오. 당사는 무단 수리 또는 유지 관리로 인해 발생한 문제에 대해 일질 책임지지 않습니다.
- 장비의 일부 구성 요소(예: 전해 커패시터)는 주기적으로 교체해야 합니다. 평균 수명은 상황에 따라 다르므로 정기 점검을 권장합니다. 자세한 내용은 판매점에 문의하십시오.
- 필요한 경우 깨끗한 헝겊에 에탄올을 소량 묻혀 장비를 살상 닦아주십시오.
- 제조사가 지정하지 않은 방식으로 장비를 사용하는 경우 장비에 의해 제공되는 보호 성능이 손상될 수 있습니다.
- 화재의 위험을 방지하기 위해 유형 및 등급이 동일한 퓨즈로만 교체하십시오.
- 장비의 시리얼 포트는 디버깅에만 사용됩니다.
- 서비스 중에는 전원을 분리하십시오.

사용 환경

- 작동 환경이 장비의 작동 요구 사항을 충족하도록 하십시오. 작동 온도는 -40°C ~ 70°C(-40°F ~ 158°F), 작동 습도는 95% 이하여야 하며 응결이 없어야 합니다.
- 장비를 전자파 방사기 높거나 먼지가 많은 환경에 노출하지 마십시오.
- 렌즈를 태양 또는 기타 밝은 빛에 조준하지 마십시오.
- 물이 떨어지거나 튀는 곳에 장비를 노출되어서는 안 되며 꽃병과 같이 액체가 들어 있는 물체를 장비 위에 두어서는 안 됩니다.
- 불이 켜진 촛불과 같이 불꽃이 드러나는 화염원을 장비 위에 놓지 마십시오.
- 산 정상, 절타, 숲과 같은 특수한

조건에서 장비의 인렛 개구부에 서지 억제기를 사용하십시오.

●▲ 기호가 있는 부품을 취급할 때는 손가락에 화상을 입을 수 있습니다. 부품을 다루기 전에 전원을 끈 후 약 30분 기다리십시오.

비상 버튼

●장비에서 연기, 냄새 또는 소음이 발생하면 즉시 전원을 끄고 전원 케이블을 뽑은 다음 서비스 센터에 연락하십시오.

제조사 주소

No.555 Qianmo Road, Binjiang District, Hangzhou 310052, China

Hangzhou Hikvision Digital Technology Co.,Ltd.

규정 준수 알림: 열화상 시리즈 제품은 미국, 유럽 연합, 영국 및/또는 기타 바세나르 협정국을 포함하되 이에 국한되지 않고 여러 국가 및 지역의 수출 통제 대상이 될 수 있습니다. 열화상 시리즈 제품을 국가 간 운송, 수출, 재수출하려는 경우 필요한 수출 라이선스 요구 사항에 대해 법률 또는 규정 준수 전문가 또는 해당 국가의 정부 기관에 문의하십시오.

日本語



製品外観はイメージです。実際の製品と異なる場合があります。

製品外観 (2 ページ-A)

サーマル球体測位システムには 2 つのタイプがあります。実際のデバイスを手に取ってご参照ください。

ケーブルの説明 (2 ページ-B)

1. RS-485
2. ネットワークケーブル: ネットワークインターフェイスとネットワークケーブルを接続します。
3. BNC: ビデオインターフェイスを接続します。
4. アラームケーブル: ALARM-IN 端子と GND 端子を接続し、ALARM-OUT 端子と ALARM-COM 端子を接続します。
5. 電源入力ケーブル: 48VDC 電源に対応。

カメラの設置 (3 ページ-C)

2 種類のカメラの設置手順は同様です。ここでは、タイプ II カメラの設置例をご紹介します。

手順:

1. 以下のいずれかの方法で、指定した場所にデバイスを移動します。
 - a) デバイス上部のゴム栓を抜き、穴に昇降リングを差し込んで固定し、レバーやクレーンを使ってデバイスを所定の位置に移動させます。
 - b) デバイス底部のゴム栓を抜き、ハンディキャリングボールを穴に差し込んで固定し、デバイスを持ち上げて指定の場所に移動させます。
2. ブラケットの寸法に合わせて、6 つの穴を開けます。
3. M10x50 のネジ 6 本を取り出し、ネジで本体をブラケットに固定します。
4. 水平方向に位置決めピンを引き上げ、位置決めピンを時計回りに 90°回転させるとロックが解除されます。操作が成功すると、カチッという音がします。

5. 昇降リングとハンディキャリングボールを取り外し、ゴム栓を元に戻します。

6. ネジに防錆ジェルを塗布します。

電源ボックスの取り付け (4 ページ-D)

設置を始める前に、設置パネルを用意し、必要な場所に固定してください。

メソッド I: 縦置き

手順:

1. D-I-①の説明に従って、設置パネルに $\phi 6.5\text{mm}$ の穴を 4 つ開けます。
2. 設置パネルに M6 ネジ 4 本をねじ込みます。スクリューヘッドと設置パネルの間に 5mm 以上のスペースを空けてください。
3. 電源ボックスの背面パネルにある 4 つの大きな穴と 4 つのネジを合わせ、電源ボックスを下方向に動かして設置パネルに掛け、ネジを締めて電源ボックスを固定します。
4. 防水カバーを外し、対応するケーブルを接続します。

メソッド II: 横置き

手順:

1. 説明に従って設置パネルに $\phi 6.5\text{mm}$ の穴を 4 つ開けます (D-I-①を参照)。
2. 電源ボックスを設置パネルに M6 ネジ 4 本で固定します。

防水の方法 (6 ページ-E)

1. ネットワークケーブルの防水ジャケットを取り付けます。
2. ケーブルコネクタや未使用のケーブルは、付属の防水テープで保護してください。

アラーム出力 (6 ページ-F)

- ① リレー出力
- ② DC 負荷
- ③ 電源
- ④ JQC-3FG リレー

保護対策 (7 ページ-G-1)

ネットワークカメラの起動とアクセス(7 ページ)

ジ-G-2)

ユーザーマニュアル



©2022 Hangzhou Hikvision Digital Technology Co., Ltd. 無断複写・転載を禁ず。

本マニュアルについて

本マニュアルには製品の使用および管理についての指示が含まれています。ここに記載されている写真、表、画像およびその他すべての情報は説明のみを目的としています。本マニュアルに含まれる情報は、ファームウェア更新やその他の理由で通知なく変更されることがあります。本マニュアルの最新版は、Hikvision Web サイト (<https://www.hikvision.com/>) でご確認ください。

本マニュアルは、本製品をサポートする訓練を受けた専門家の指導・支援を受けた上でご使用ください。

商標

HIKVISION およびその他 Hikvision の商標およびロゴは、様々な裁判管轄地域における Hikvision の所有物です。

言及されているその他の商標およびロゴは、各権利保有者の所有物です。

免責事項

適用法で認められる最大限の範囲で、本マニュアルおよび説明されている製品（ハードウェア、ソフトウェア、および本製品を含む）は、「現状のまま」および「すべての欠陥とエラーがある」状態で提供されます。HIKVISION は、明示あるいは黙示を問わず、商品性、十分な品質、または特定目的に対する適合性などを一切保証しません。本製品は、お客様の自己責任においてご利用ください。HIKVISION は、本製品の利用に関連する事業利益の損失や事業妨害、データの損失、システムの障害、文書の損失に関する損害を含む特別、必然、偶発または間接的な損害に対して、それが契約に対する違反、不法行為（過失を含む）、製品の責任または製品の使用に関連するものであっても、たとえ HIKVISION がそうした損害および損失について通知を受けていたとしても、一切の責任を負いません。

お客様はインターネットが本質的に持つセキュリティリスクについて認識し、HIKVISION は、

異常操作、プライバシー漏えいまたはサイバー攻撃、ハッキング、ウィルス感染やその他のセキュリティリスクから生じるその他の損害に対して一切の責任を負わないものとします。ただし、必要であれば HIKVISION は適宜技術サポートを提供します。

お客様には、すべての適用法に従って本製品を利用し、さらにご自分の利用法が適用法を順守していることを確認する責任があります。特に、肖像権、知的財産権、またはデータ保護等のプライバシー権を非限定的に含むサードパーティの権利を侵害しない手段で本製品を利用する責任があります。大量破壊兵器の開発や生産、化学兵器・生物兵器の開発や生産、核爆発物や危険な核燃料サイクル、または人権侵害に資する活動を含む、禁じられている最終用途の目的で本製品を使用してはなりません。


本マニュアルと適用法における矛盾がある場合については、後者が優先されます。


規制情報

これらの条項は、対応するマークまたは情報が付された製品にのみ適用されます。

EU 適合宣言

CE 本製品および -該当する場合- 付属品は、「CE」のマークが付いており、EMC 指令 2014/30/EU、RoHS 指令 2011/65/EU の下に記載されている該当欧州統一規格に準拠しています。

 2012/19/EU (WEEE 指令): この記号が付いている製品は、欧州連合 (EU) の地方自治体の未分別廃棄物として処分できません。適切にリサイクルするために、本製品は同等の新しい装置を購入する際に、お近くの販売業者に返却いただくか、指定された収集場所で処分してください。詳細については次の URL を参照してください：
www.recyclethis.info

 2006/66/EC およびその修正案 2013/56/EU (バッテリー指令): 本製品には、欧州連合 (EU) の地方自治体の未分別廃棄物として処分できないバッテリーが含まれています。特殊バッテリー情報に関する製品資料をご覧ください。バッテリーにはこの記号が付いており、カドミウム (Cd)、鉛 (Pb)、水銀 (Hg) を示す文字も記載されています。適切にリサイクルするために、販売業者か、指定された収集場所にご返却ください。詳細については次の URL を参照してください：
www.recyclethis.info

安全に関する指示

これらの指示は、ユーザーが製品を正しく使用し、危険や財産損失を回避できるように保証することを目的としています。

法規と規制

本器は、各国の法規、電気安全規則、火災予防

規則に準じて使用する必要があります。

輸送

- 輸送中は、デバイスを元のパッケージまたは類似したパッケージに梱包してください。
- 開梱後は、後日使用できるように、梱包材を保存しておいてください。不具合が発生した場合、元の梱包材を使用して工場に機器を返送する必要があります。
- 元の梱包材を使用せずに返送した場合、破損が発生する恐れがありますが、その際に、当社は一切責任を負いません。
- 製品を落下させたり、物理的な衝撃を与えないでください。本器を電磁妨害から遠ざけてください。

電源

- ご自分で充電器をお求めください。入力電圧 IEC62368規格の限定電源 (48V DC) を満たす必要があります。詳細情報に関しては技術仕様を参照してください。
- プラグが適切に電源ソケットに接続されていることを確認してください。
- ソケットアウトレットは、簡単にアクセスできるように、機器の近くに取り付けてください。
- 1台の電源アダプターに2台以上の機器を接続してはなりません。過負荷によって過熱したり、火災発生の危険があります。
- サーキットブレーカーをオンにしたら、インレットの金属接点に直接指を触れないでください。通電されています。
- +は、直流で使用されるか、または直流の電流を生成する機器の正極端子を識別します。-は、直流で使用されるか、または直流の電流を生成する機器の負極端子を識別します。
- AC主電源に接続する端子の正しい配線を確認してください。

バッテリー

- バッテリーを不正な種別のもので交換すると爆発の危険があります。使用済みバッテリーは、指示に従って廃棄してください。
- 内蔵バッテリーは取り外しできません。修理については必要に応じてメーカーにお問い合わせください。
- バッテリーを長期保存する場合は、半年に一度はフル充電して、バッテリーの品質を保つようにしてください。これを怠った場合、破損の原因となります。
- この機器は、子供が近づく可能性のある場所での使用には適していません。
- 不正な種別のバッテリーとの不適切な交換は、安全装置を無効にする場合があります(たとえば、一部のリチウムバッテリータイプの場合など)。
- バッテリーを火や高温のオープンの中に投入したり、バッテリーを機械的に粉碎したり切断したりしないでください。爆発の原因となることがあります。

- バッテリーを非常に高温の環境に放置しないでください。爆発や、可燃性の液体およびガスの漏出を引き起こす可能性があります。
- バッテリーを極端に低い空気圧下に置かないでください。爆発したり、可燃性の液体やガスが漏出することがあります。

設置

- 機器は不安定な場所に置かないでください。機器が落下して、使用者が死亡したり怪我を負う恐れがあります。
- この機器は、対応するブラケットでのみ使用できません。他のもの(カート、スタンド、キャリア)などで使用すると、不安定になり、けがをする可能性があります。

システムのセキュリティ

- お客様は、インターネットにはその性質上固有のセキュリティリスクがあることを了解し、異常動作、プライバシーの流出、またはサイバー攻撃やハッカー攻撃などによるその他の損害について、当社は一切責任を負いません。ただし、必要に応じて当社は適時技術的サポートを提供します。
- インターネットに接続するとデバイスがネットワークセキュリティの問題に直面することがありますから、個人情報やデータセキュリティを確実に保護してください。デバイスにネットワークセキュリティのリスクがある場合は、当社にご連絡ください。
- お客様は、デバイスに関するすべてのパスワードやその他のセキュリティ設定を行い、ユーザー名とパスワードを保管する責任があることをご理解ください。

メンテナンス

- 製品が正しく動作しない場合、販売店または最寄りのサービスセンターに連絡してください。承認されていない修理や保守行為による問題について、当社はいかなる責任も負いません。
- 一部のデバイスコンポーネント(電解コンデンサなど)は、定期的に交換する必要があります。製品の平均寿命は変動するため、定期的な点検をお勧めします。詳細については、販売店にお問い合わせください。
- 必要な場合は、 Etaノールを少量含ませたきれいな布でデバイスを静かに拭きます。
- メーカーが指定していない方法で使用した場合、デバイスが提供する保護機能が損なわれる恐れがあります。
- 火災の危険を減らすために、ヒューズは同じ種類、定格のもののみ交換してください。
- 機器のシリアルポートはデバッグの目的のみ使用されます。
- 整備中は電源の接続を外してください。

使用環境

- 実行環境がデバイスの要件を満たしていることを確認します。動作温度は-40°C~70°C、動作湿度は95%以下(結露なきこと)である必要が

あります。

- デバイスを強い電磁波や埃の多い環境にさらさないでください。
- レンズを太陽や極端に明るい場所に向けしないでください。
- 機器を水滴や水しぶきにさらさないでください。また、花瓶などの液体が入った物を機器の上に置かないでください。
- ろうそくのような裸火を機器の上に置かないでください。
- 山頂、鉄塔、森林などの特殊な状況では、機器のインレット開口にサージ防護機器を設置してください。
- 記号▲の付いた部分に手を触れると火傷します。スイッチを切って30分経過してから、部品に手を触れてください。

緊急

- デバイスから煙や異臭、異音が発生した場合、すぐに電源を切り、電源ケーブルを抜いて、サービスマスターにご連絡ください。

メーカー住所

No.555 Qianmo Road, Binjiang District, Hangzhou 310052, China
Hangzhou Hikvision Digital Technology Co.,Ltd.

法令順守通知：本サーマルシリーズ製品は、アメリカ合衆国、欧州連合、英国などワッセナー・アレンジメントの会員国を含むがそれだけに限定されない各国・各地域で、輸出管理の対象となる可能性があります。サーマルシリーズ製品を外国へ転送・輸出・再輸出する場合は、貴社の法務・コンプライアンス部門もしくはは自国の政府機関に、輸出ライセンスの条件についてご確認ください。

繁體中文



產品外觀僅供參考，可能與實際產品有所不同。

外觀 (第 2 頁 - A)

熱像球型定位系統包含兩種款式。請參考實際裝置。

纜線說明 (第 2 頁 - B)

1. RS-485
2. 網路線：利用網路線連接網路介面。
3. BNC：連接視訊介面。
4. 警報線：連接警報輸入端子及接地端子，並連接警報輸出端子及警報地線端子。
5. 電源輸入線：支援 48 伏直流電源。

安裝攝影機 (第 3 頁 - C)

兩款攝影機的安裝步驟相同。以下是 II 型攝影機的安裝範例。

步驟：

1. 透過以下任一方式把裝置移動到指定位置。
 - a) 拔出裝置頂部的橡膠塞，插入吊環並固定至孔位，然後利用槓桿或起重機把裝置移動到指定位置。
 - b) 拔出裝置底座上的橡膠塞，插入手持式攜帶杆並固定至孔位，然後抬起裝置並移動到指定位置。
2. 根據支架的尺寸在支架鑽出 6 個孔。
3. 取出六顆 M10×50 螺絲，然後利用螺絲把裝置固定在支架上。
4. 向上拉水平定位銷，然後順時針旋轉定位銷 90° 解鎖裝置。如果操作成功，您可以聽到卡入的聲音。
5. 卸下吊環和手持式攜帶杆，然後插回橡膠塞。
6. 在螺絲上塗抹防腐蝕膠。

安裝電源盒 (第 4 頁 - D)

在開始安裝之前，請自行準備安裝板，然後固定在所需的位置。

方法 I：垂直安裝

步驟：

1. 根據 D-I-① 的說明，在安裝板上鑽出 4 個 $\phi 6.5$ mm 孔。
2. 把四顆 M6 螺絲鎖入安裝板。螺絲及安裝板之間應至少保持 5 mm 間隙。
3. 把電源盒背板上四個較大的孔對齊四顆螺絲，向下移動電源盒將其懸掛在安裝板上，然後鎖緊螺絲固定電源盒。
4. 卸下防水蓋連接對應纜線。

方法 II：水平安裝

步驟：

1. 根據說明在安裝板上鑽出 4 個 $\phi 6.5$ mm 孔 (如 D-I-① 所示)。
2. 利用四顆 M6 螺絲固定安裝板上的電源盒。

防水方式 (第 6 頁 - E)

1. 安裝網路線防水套。
2. 利用隨附的防水膠帶來保護纜線連接器和未使用的纜線。

警報輸出 (第 6 頁 - F)

- ① 繼電器輸出
- ② 直流負載
- ③ 電源供應器
- ④ JQC-3FG 繼電器

保護措施 (第 7 頁 - G - 1)

啟用及存取網路攝影機 (第 7 頁 - G - 2)



©2022 杭州海康威視數字技術股份有限公司保留所有權利。

關於本手冊

本手冊提供有關使用和管理產品的指示。以下的圖片、圖表、圖像和所有其他資訊僅供描述和說明用途。本手冊所含資訊可能會因軟體升級或其他原因而變動，恕不另行通知。請至 Hikvision 網站 (<https://www.hikvision.com/>) 尋找本手冊最新版本。

請在受過產品支援訓練的專業人員的指引與協助下使用本手冊。

商標

HIKVISION 和其他 Hikvision 的商標和標誌為不同管轄區內 Hikvision 的財產。

所提及的其他商標和標誌為各自擁有者的財產。

免責聲明

在適用法律允許的最大範圍內，本手冊及所描述產品，其硬體、軟體和韌體均以「現狀」提供，瑕疵錯誤概不負責。HIKVISION 不作任何明示或暗示的保證，包括但不限於適售性、品質滿意度或適合某特定用途。您必須承擔使用本產品的風險。對於任何特殊、衍生、偶發或間接的損害，包括但不限於營業利潤損失、營業中斷，或者資料遺失、系統毀損或文件遺失，只要是基於違反合約、侵權（包括過失）、產品責任或產品使用（即使 HIKVISION 已知悉可能會有此類損害或損失），HIKVISION 概不負責。

您了解網際網路的性質具有固有的安全風險，對於因網路攻擊、駭客攻擊、病毒感染或其他網路安全風險而造成的異常運作、隱私洩漏或其他損害，HIKVISION 概不承擔任何責任；但 HIKVISION 將提供及時的技術支援。


您同意依照所有適用法律使用本產品，而且您有責任確保您的使用符合適用法律。特別是，您有責任在使用本產品時不侵犯第三方權利，包括但不限於出版權、知識財產權或資訊保護以及其他隱私權。您不得將本產品用於任何禁止的最終用途，包括開發或生產大規模毀滅性武器、開發或生產化學武器或生物武器，以及任何有關核爆炸或不安全核燃料循環的任何活動，或支持侵犯人權。

如果本手冊與適用法律產生任何衝突，以後者為準。

法規資訊

這些條款僅適用於帶有對應標記或資訊的產品。

歐盟聲明

 本產品及（如果適用）其附件都已標示「CE」，因此符合適用 EMC Directive 2014/30/EU (RoHS 指令 2011/65/EU) 所列統一歐洲標準。



2012/19/EU (WEEE 指令): 已標示此符號的產品在歐盟不得當成未分類的都市廢棄物處理。為了正確回收，請在購買同等的新設備時將本產品退回當地供應商，或將其棄置在指定的回收點。有關詳細資訊請參閱：www.recyclethis.info



2006/66/EC 及其修訂 2013/56/EU (電池指令): 本產品內含一顆電池，在歐盟區不能當成未分類的都市廢棄物處理。有關特定的電池資訊，請參閱產品說明文件。已標示此符號的電池可能含有代表鎘 (Cd)、鉛 (Pb) 或汞 (Hg) 的字母。為正確回收，請將電池送回供應商或指定的回收點。有關詳細資訊請參閱：www.recyclethis.info。

安全說明

這些指示的目的在確保使用者正確使用本產品，避免造成危險或財產損失。

法律和法規

應遵守當地法律、電氣安全法規和防火法規使用本裝置。

運輸

- 在運送裝置時，請將裝置放入原本的或類似的包裝中。
- 在拆封後保留所有包裝以供將來使用。如果發生任何故障，則需要利用原本的包裝將裝置送回工廠。
- 未使用原本的包裝運輸可能會導致裝置損壞，本公司概不承擔任何責任。
- 請勿使本產品掉落或遭受撞擊。請讓裝置遠離磁性干擾。

電源供應

- 請自行購買充電器。輸入電壓應符合 IEC62368 標準的有限電源 (48 VDC) 規定。如需詳細資訊，請參閱技術規格。
- 確認已將插頭正確連接至電源插座。
- 電源插座應安裝在裝置附近，而且伸手可及。
- 請勿將多個裝置連接至相同電源變壓器以避免過熱，或因過載造成火災危險。
- 關閉斷路器後，禁止觸碰進電處的外露接點。仍有電力。
- 「+」代表裝置的正極，搭配使用或產生直流電。
- 「-」代表裝置的負極，搭配使用或產生直流電。
- 務必正確地將端子接線到 AC 主電源。

電池

- 若更換的電池類型不正確，會有爆炸的風險。請依照指示棄置使用過的電池。
- 內建電池無法拆卸。如有必要，請聯絡製造商修復。

- 為了長期儲存電池，請確保電池每半年充滿電，以確保電池品質。否則，可能會造成損壞。
- 本裝置不適合在兒童可能出現的場所使用。
- 換錯類型不正確的電池，可能會使保護措施失效（例如，某些類型的鋰電池）。
- 禁止將電池棄置火中或高溫烤箱中，並禁止使用機械來壓碎或切碎電池，否則可能導致爆炸。
- 禁止將電池置於極高溫的環境中，否則可能導致爆炸或造成易燃液體或氣體洩漏。
- 禁止將電池置於極低空氣壓力下，否則可能導致爆炸或造成易燃液體或氣體洩漏。

安裝

- 切勿將裝置置於不牢固的地方。裝置可能會掉落，造成嚴重的人員傷亡。
- 本裝置僅可使用指定的支架。與其他物品（推車、支架或運輸車）搭配使用，可能會導致不穩定而造成傷害。

系統安全性

- 您瞭解網際網路在本質上具有安全風險，對於因網路攻擊、駭客攻擊、病毒感染或其他網路安全風險而造成的運作異常、隱私洩漏或其他損害，本公司一概不負責；但本公司將提供及時的技術支援。
- 請採取個人資訊與資料安全措施，因為當裝置連線到網際網路時，可能會遭遇網路安全問題。若是裝置有網路安全風險的問題，請與我們聯絡。
- 請瞭解您必須負責替裝置設定所有密碼和其他安全性設定，並記下您的使用者名稱和密碼。

維護

- 如果產品無法正常運作，請聯絡您的經銷商或最近的服務中心。對於因未經授權的維修或保養而造成的問題，本公司概不承擔任何責任。
- 部分裝置元件（例如電解電容）需要定期更換。平均壽命不同，因此建議定期檢查。如需詳細資訊，請聯絡您的零售商。
- 如有需要，請使用乾淨的布和少量酒精輕輕擦

拭裝置。

- 如果以製造商未指定的方式使用設備，則可能會影響裝置所提供的保護。
- 為降低火災風險，只能更換類型與額定值相同的保險絲。
- 裝置的序列埠僅供調整使用。
- 維修期間請中斷電源。

使用環境

- 請確定操作環境符合裝置的需求。工作溫度應為 -40°C 至 70°C (-40°F 至 158°F)，工作濕度應為 95% 以下未凝結的情況之下。
- 請勿使裝置暴露於高電磁輻射或塵土飛揚的環境中。
- 請勿將鏡頭瞄準陽光或任何其他明亮的光線。
- 本裝置不得曝露在會滴水或濺水的環境中，且不得將裝有液體的物品（例如花瓶）放在裝置上。
- 不得將開放性火源（例如點燃的蠟燭）放置在裝置上。
- 在特殊環境，例如山頂、鐵塔和森林中，請在裝置的進電處加上突波抑制器。
- 處理這些零件會燙傷手指（符號：▲）。請在關閉電源後半小時再處理這些零件。

緊急

- 如果裝置產生煙霧、異味或噪音，請立即關閉電源，拔除電源線，並聯絡維修中心。

製造地址

310052 中國杭州市濱江區阡陌路 555 號
杭州海康威視數字技術股份有限公司

合規性注意事項：熱像系列產品可能在不同國家或地區受到出口管制，包括但不限於美國、歐盟、英國和/或瓦森納協議的其他成員國。如果您打算在不同國家之間轉讓、出口、再出口熱像系列產品，請洽詢您的專業法律或合規性專家或地方政府機關，以瞭解任何必要的出口許可要求。

