

DS-2TD4237-10/V2

Thermal & Optical Bi-spectrum Network Speed Dome

DeepinView^{series}



Hikvision DS-2TD4237-10/V2 Thermal & Optical Bi-spectrum Network Speed Dome equipped with built-in GPU which support intelligent behavior analysis algorithm, can realize high precision VCA detection and real-time alarm. It is mainly applied to perimeter defense and fire-prevention. For perimeter defense purpose, it used in critical infrastructures such as: construction site, national park, airport, farm, prison, power station, 4S stores, and so on. For fire-prevention purpose, it used in recycling center, gas station, large warehouse, chemical plant and so on. The pre-alarm system helps you discover unexpected events immediately and protects you from property loss.

Smart Function (Thermal Imaging)

- Leading image processing technology: Adaptive AGC, DDE, 3D DNR, NETD < 40mk (@25°C, F#=1.0)
- Smart tracking: Panorama tracking, Event tracking and Multi-scene patrol tracking
- Smart tracking linkage: thermal view and optical view
- Powerful behavior analysis algorithm: Line crossing, Intrusion, Region Entrance & Exit
- Reliable temperature exception alarm function
- Advanced fire detection algorithm

Thermal Imaging Module Function

- 384*288 resolution (the resolution of output image is 1280 x720), high sensitivity sensor, support contrast adjustment
- Support shutter adjustment in various modes
- 3D DNR, 15 palettes of color adjustable, image detail enhancement



Specifications

Thermal Module	
Image Sensor	Vanadium Oxide Uncooled Focal Plane Arrays
Max. Resolution	384 × 288 (the resolution of output image is 1280 × 720)
Pixel Interval	17 μm
Response Waveband	8 μm to 14 μm
NETD	less than 40mk (@25°C, F#=1.0)
Lens (focal length)	10mm
IFOV	1.70mrad
Field of View	37.7° × 28.7° (H × V)
Min. Focusing Distance	1.2m
Aperture	F 1.0
Optical Camera	
Image Sensor	1/2.8" Progressive Scan CMOS
Max. Resolution	1920 × 1080
Min. Illumination	Color: 0.05 lux @ (F1.2 , AGC On) B/W : 0.01 lux @ (F1.2 , AGC On)
Focal Length	4.8-153mm
Field of View	horizontal FOV 58.4° to 2.14°, vertical FOV 33.8° to 1.2°, diagonal FOV 65.6° to 2.46°
Aperture Range	F1.2-F4.4
Focus Mode	Auto / Semiautomatic / Manual
WDR	120dB
Shutter Speed	1s to 1/100,000s
Day & Night	IR Cut Filter
Smart Function	
VCA (Video Content Analysis)	4 VCA rule types (Line Crossing, Intrusion, Region Entrance, and Region Exiting), up to 8 VCA rules.
Temperature Measurement	3 temperature measurement rule types, 21 rules (10 points, 10 areas, and 1 line).
Temperature range	-20 °C to 150 °C (-4 °F to 302 °F)
Temperature accuracy	±8 °C (14.4 °F)
Fire detection	Indoor dynamic fire point detection, up to 10 fire points detectable.
Smoke detection	Indoor smoke detection, up to 10 smoke detectable.
PTZ	
Movement Range	Pan: 360° Continuous Rotate; Tilt: From -5° to + 90°
Pan Speed	TBD
Tilt Speed	TBD
Proportional Zoom	Yes
Presets	300
Patrol Scan	8; Up to 32 Presets Per Patrol
Pattern Scan	4; More Than 10 Minutes Per Pattern
Power Off Memory	Yes
Park	Presets/Pattern Scan/Patrol Scan/Auto Scan/Tilt Scan/Random Scan/Frame Scan/Panorama Scan
PT Status	Turn On/Turn Off

Scheduled Task	Preset/Pattern Scan/Patrol Scan/Auto Scan/Tilt Scan/Random Scan/Frame Scan/Panorama Scan/Doom Reboot/Doom Adjust/Aux Output
Infrared	
IR Distance	Up to 100m
IR Intensity and Angle	Auto Adjust
Network	
Main Stream	Optical: 50Hz:25fps(1920×1080), 25fps(1280×960), 25fps(1280×720) Optical: 60Hz:30fps(1920×1080), 30fps(1280×960), 30fps(1280×720) Thermal: 25fps(1280 × 720), 25fps(704 × 546), 25fps(384 × 288), 25fps(352 × 288)
Sub stream	Optical: 50Hz:25fps (704 × 576), 25fps (352 × 288) Optical: 60Hz:30fps (704 × 480), 30fps (352 × 288) Thermal: 25fps(704 × 546), 25fps(384 × 288), 25fps(352 × 288)
Video compression	H.265 (Main Profile) H.264 (Baseline/Main/High Profile)
Audio compression	G.711u/G.711a/G.722.1/MP2L2/G.726/PCM
Protocols	TCP/IP,ICMP,HTTP,HTTPS,FTP,DHCP,DNS,DDNS,RTP,RTSP,RTCP, PPPoE,NTP,UPnP,SMTP,SNMP,IGMP,802.1X,QoS,IPv6, UDP, Bonjour
Simultaneous live view	Up to 20-ch
User/Host level	Up to 32 users, 3 levels: Administrator, Operator, User
Security measures	User authentication (ID and PW), MAC address binding, HTTPS encryption, IEEE 802.1x access control, IP address filtering
Integration	
Alarm Input	Up to 7-ch Input (0-5V DC)
Alarm Output	Up to 2-ch Relay Output; alarm response actions configurable
Alarm Action	Preset/Patrol Scan/Pattern Scan/SD Card Record/Relay Output/Smart capture/FTP upload/Email linkage
Audio Input	1 3.5mm Mic in/Line in interface. Line input: 2-2.4V[p-p], output impedance:1KΩ±10%
Audio Output	Linear Level; Impedance: 600Ω
Reset	1 Reset Button
Ethernet	1 RJ45 10M/100M Self-adaptive Ethernet interface, 1 RS-485 interface
SD Memory Card	Built-in Micro SD card slot, support Micro SD/SDHC/SDXC card (up to 256G), support manual/alarm recording
Analog Video Output	1.0V [p-p]/75Ω, PAL/NTSC/BNC
Application Programming	Open-ended API, support ISAPI; Support HIKVISION SDK and Third-party Management Platform
Client	iVMS-4200
Web Browser	IE 9+, Chrome 31- chrome 44, Firefox 30- Firefox 51, Safari 5.02+(Mac)
General	
Menu Language	English
Power	AC 24V±25%
Power Consumption	TBD
Work Temperature/Humidity	From -30°C to 60°C (-40°F to 140°F); Humidity: 90% or Less
Protection Level	IP66 Standard; TVS 6000V Lightning Protection, Surge Protection and Voltage Transient Protection
Dimensions	305 mm × 185 mm × 163 mm (12.01" × 7.28" × 6.42")
Weight	TBD

Detection Range Table

- The table is only for reference, the performance may vary from camera to camera.

Smart functions Range

Different targets trigger the VCA events within different range limits.

VCA Range (Vehicles: 1.4×4.0m)	VCA Range (Humans: 1.8×0.5m)	Temperature Measurement (Object:2×2 m)	Temperature measurement (Object:1×1 m)	Fire Detection (Object:2×2 m)	Fire Detection (Object:1×1 m)
300m	100m	234m	118m	588m	294m

Wide Range Coverage

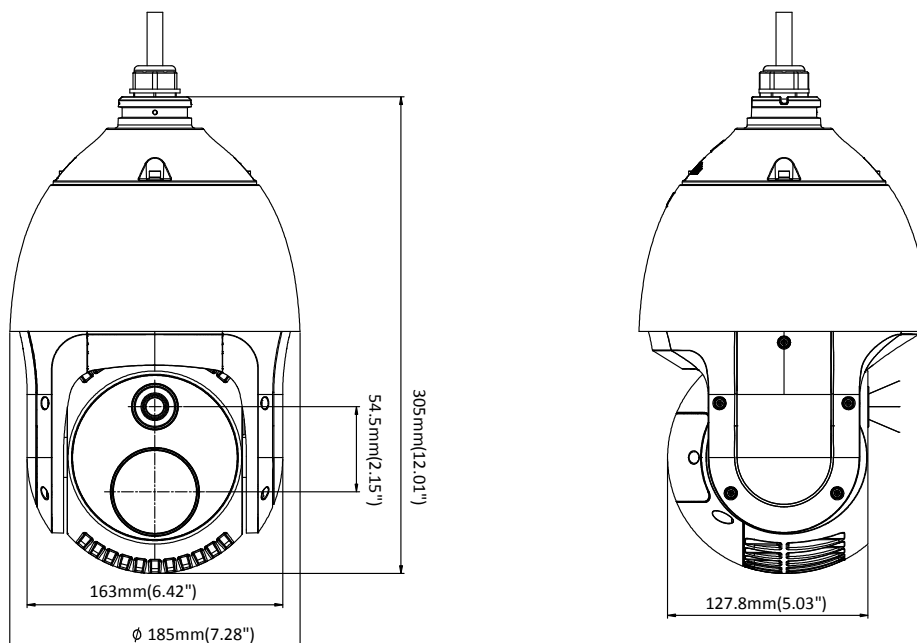
There is range limit for detecting, recognizing, and identifying human/vehicle targets.

Detection Range (Vehicles: 1.4×4.0m)	Detection Range (Humans: 1.8×0.5m)	Recognition Range (Vehicles: 1.4×4.0m)	Recognition Range (Humans: 1.8×0.5m)	Identification Range (Vehicles: 1.4×4.0m)	Identification Range (Humans: 1.8×0.5m)
902m	294m	225m	74m	113m	37m

Available Model

DS-2TD4237-10/V2

Dimension





Distributed by



HIKVISION®

Headquarters

No.555 Qianmo Road, Binjiang District,
Hangzhou 310051, China
T +86-571-8807-5998
overseasbusiness@hikvision.com

Hikvision USA
T +1-909-895-0400
sales.usa@hikvision.com

Hikvision Australia
T +61-2-8599-4233
salesau@hikvision.com

Hikvision India
T +91-22-28469900
sales@pramahikvision.com

Hikvision Canada
T +1-866-200-6690

Hikvision Europe
T +31-23-5542770
sales.eu@hikvision.com

Hikvision Italy
T +39-0438-6902
info.it@hikvision.com

Hikvision Brazil
T +55 11 3318-0050
Latam.support@hikvision.com

Hikvision Turkey
T +90 (216)521 7070- 7074

Hikvision UK & Ireland
T +01628-902140
sales.uk@hikvision.com

Hikvision South Africa
Tel: +27 (10) 0351172
sale.africa@hikvision.com

Hikvision France
T +33(0)1-85-330-450
info.fr@hikvision.com

Hikvision Kazakhstan
T +7-727-9730667

Hikvision UAE
T +971-4-4432090
salesme@hikvision.com

Hikvision Singapore
T +65-6684-4718
sg@hikvision.com

Hikvision Spain
T +34-91-737-16-55
info.es@hikvision.com

Hikvision Tashkent
T +99-87-1238-9438

Hikvision Russia
T +7-495-669-67-99
saleru@hikvision.com

Hikvision Korea
T +82-(0)31-731-8817
sales.korea@hikvision.com

Hikvision Poland
T +48-22-460-01-50
info.pl@hikvision.com

Hikvision Indonesia
T +62-21-2933759