

DS-2DY9240IX-A(T5) 2 MP 40 × IR Network Positioning System



- 1/1.8" progressive scan CMOS
- Up to 1920 × 1080 resolution
- Min. illumination: Color: 0.005 Lux @(F1.2, AGC ON), B/W: 0.001 Lux @(F1.2, AGC ON), 0 Lux with IR
- Rain-sensing auto wiper
- 40 × optical zoom, 16 × digital zoom
- 140 dB WDR, 3D DNR, HLC, BLC, Smart IR
- 24 VAC
- Support H.265+/H.265 video compression
- Support up to 400 m IR distance



▪ DORI

The DORI (detect, observe, recognize, identify) distance gives the general idea of the camera ability to distinguish persons or objects within its field of view. It is calculated based on the camera sensor specification and the criteria given by EN 62676-4: 2015.

DORI	Detect	Observe	Recognize	Identify
Definition	25 px/m	63 px/m	125 px/m	250 px/m
Distance (Tele)	2979.3 m (9774.6 ft)	1182.3 m (3878.9 ft)	595.9 m (1955.1 ft)	297.9 m (977.4 ft)

▪ Specification

Camera	
Image Sensor	1/1.8" progressive scan CMOS
Min. Illumination	B/W: 0.001 Lux @ (F1.2, AGC ON),color: 0.005 Lux @ (F1.2, AGC ON), 0 Lux with IR
Shutter Speed	1/1s ~ 1/30,000 s
Focus	semi-auto, manual, auto
Day & Night	ICR
BLC	yes
WDR	140 dB WDR
HLC	yes
3D DNR	yes
EIS	Yes. Built-in gyroscope to improve EIS performance.
Regional Exposure	yes
Regional Focus	yes
White Balance	auto, ATW, sodium lamp, fluorescent lamp, indoor, outdoor, MWB, Locked WB
Digital Zoom	16 ×
Optical Zoom	40 ×
Privacy Mask	up to 24 masks, polygon region, mosaic mask, mask color configurable
General Function	mirror, password protection, watermark, IP address filter
Lens	
Focal Length	6.0 mm to 240 mm, 40 × optical
Zoom Speed	approx.5.6 s
FOV	Horizontal field of view: 59.0 to 1.8° (wide-tele) Vertical field of view: 33.7° to 1.1° (wide-tele), Diagonal field of view: 63.4° to 2.1° (wide-tele)
Aperture	F1.2
Illuminator	
IR Distance	up to 400 m IR distance
PTZ	
Movement Range (Pan)	360°
Movement Range (Tilt)	+40° to -90°
Pan Speed	pan speed: configurable from 0.1° to 120°/s; preset speed: 120°/s
Tilt Speed	tilt speed: configurable from 0.1° to 50°/s, preset speed 50°/s
Proportional Zoom	yes
Presets	300
Patrol Scan	8 patrols
Pattern Scan	4 pattern scans

Power-off Memory	yes
Park Action	preset, pattern scan, patrol scan, auto scan, tilt scan, random scan, frame scan, panorama scan
3D Positioning	yes
PTZ Status Display	yes
Preset Freezing	yes
Scheduled Task	preset, pattern scan, patrol scan, auto scan, tilt scan, random scan, frame scan, panorama scan, dome reboot, dome adjust, aux output
Video	
Max. Resolution	1920 × 1080
Main Stream	50Hz: 25 fps (1920 × 1080, 1280 × 960, 1280 × 720) 60Hz: 30 fps (1920 × 1080, 1280 × 960, 1280 × 720)
Sub-Stream	50Hz: 25 fps (704 × 576, 640 × 480, 352 × 288) 60Hz: 30fps (704 × 480, 640 × 480, 352 × 240)
Third Stream	50Hz: 25 fps (1920 × 1080, 1280 × 960, 1280 × 720, 704 × 576, 640 × 480, 352 × 288) 60Hz: 30 fps (1920 × 1080, 1280 × 960, 1280 × 720, 704 × 480, 640 × 480, 352 × 240)
Video Compression	H.265, H.264, MJPEG
H.264 Type	baseline profile, main profile, high profile
H.265 Type	main profile
H.264+	yes
H.265+	yes
SVC	yes
ROI	yes
Audio	
Audio Compression	G.711alaw,G.711ulaw,G.722.1,G.726,MP2L2,PCM
Smart Features	
Face Capture	Support detecting up to 30 faces at the same time. Support detecting, tracking, capturing, grading, selecting of face in motion, and output the best face picture of the face.
Basic Event	motion detection, video tampering alarm, alarm input, alarm output, exception
Smart Event	unattended baggage detection, object removal detection, Intrusion Detection, Line Crossing Detection, Region Entrance Detection, Region Exiting Detection, Audio Exception Detection
Smart Tracking	manual tracking, event tracking
Smart Record	ANR, Dual-VCA
Alarm Linkage	Alarm actions, such as Preset, Patrol Scan, Pattern Scan, Memory Card Video Record, Trigger Recording, Notify Surveillance Center, Upload to FTP/Memory Card/NAS, Send Email, etc.
Network	
Protocols	IPv4/IPv6, HTTP, HTTPS, 802.1x, Qos, FTP, SMTP, UPnP, SNMP, DNS, DDNS, NTP, RTSP, RTCP, RTP, TCP/IP, UDP, IGMP, ICMP, DHCP, PPPoE, Bonjour, Websocket, Websockets
API	Open-ended API, ISAPI,Hikvision SDK,Third-party management platform,Hik-Connect,ISUP,Open Network Video Interface
Simultaneous Live View	Up to 20 channels
User/Host	Up to 32 users. 3 levels: Administrator, Operator and User

Security Measures	Authenticated username and password,MAC address binding,HTTPS encryption,802.1X authenticated access,IP address filter
Client	iVMS-4200, iVMS-4500, iVMS-5200, Hik-Connect,HikCentral Pro
Web Browser	IE11, Chrome 57.0+, Firefox 52.0+, Safari 11+
Interface	
Communication Interface	1 RJ45 10 M/100 M Ethernet Interface
On-board Storage	Built-in memory card slot, support Micro SD/Micro SDHC/Micro SDXC, up to 256 GB; NAS (NFS, SMB/ CIFS), ANR
Alarm Input	7 alarm inputs
Alarm Output	2 alarm outputs
Audio Input	1 audio input, 2.0 to 2.4Vp-p, 1k Ohm±10%
Audio Output	1 audio output, line level, impedance: 600 Ω
Video Output	1.0V[p-p]/75Ω, PAL, NTSC
RS-485	Half duplex, HIKVISION, Pelco-P, Pelco-D, self-adaptive
General	
Vandal-proof Alarm	yes
Power	24 VAC ± 25%, max.192 W
Operating Conditions	Temperature: -40°C to 70°C (-40°F to 158°F), Humidity: ≤ 95%
Wiper	Yes. Rain-sensing auto control
Material	Aluminum alloy ADC12
Dimensions	460 mm × 390 mm × 491 mm (18.11" × 15.35" × 19.33")
Weight	Approx. 15 kg (33.07 lb)
Web Client Language	32 languages: English, Russian, Estonian, Bulgarian, Hungarian, Greek, German, Italian, Czech, Slovak, French, Polish, Dutch, Portuguese, Spanish, Romanian, Danish, Swedish, Norwegian, Finnish, Croatian, Slovenian, Serbian, Turkish, Korean, Traditional Chinese, Thai, Vietnamese, Japanese, Latvian, Lithuanian, Portuguese (Brazil)
Approval	
Protection	IP66 Standard, 6000V Lightning Protection, Surge Protection and Voltage Transient Protection

▪ Available Model

DS-2DY9240IX-A(T5)

Typical Application

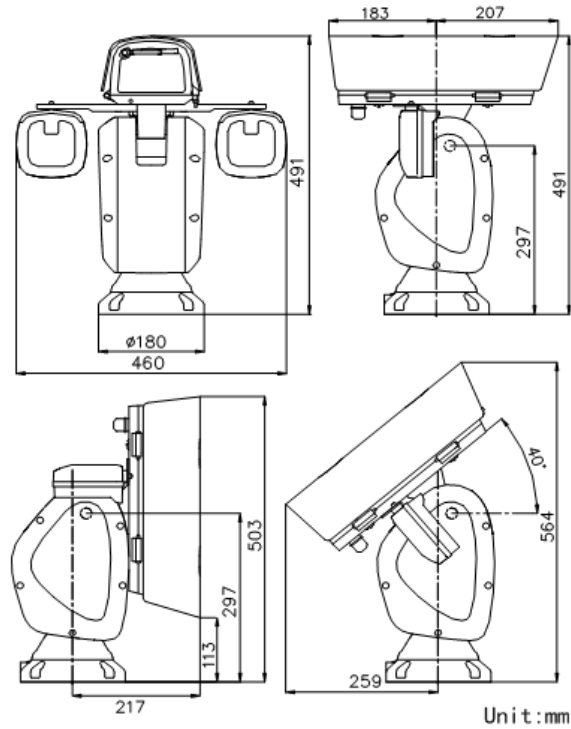
Hikvision products are classified into three levels according to their anti-corrosion performance. Refer to the following description to choose for your using environment.

This model has NO SPECIFIC PROTECTION.

Level	Description
Top-level protection	Hikvision products at this level are equipped for use in areas where professional anti-corrosion protection is a must. Typical application scenarios include coastlines, docks, chemical plants, and more.
Moderate protection	Hikvision products at this level are equipped for use in areas with moderate anti-corrosion

	demands. Typical application scenarios include coastal areas about 2 kilometers (1.24 miles) away from coastlines, as well as areas affected by acid rain.
No specific protection	Hikvision products at this level are equipped for use in areas where no specific anti-corrosion protection is needed.

▪ **Dimension**



▪ **Accessory**

▪ **Optional**



Headquarters

No.555 Qianmo Road, Binjiang District,
Hangzhou 310051, China
T +86-571-8807-5998
www.hikvision.com



Follow us on social media to get the latest product and solution information.

