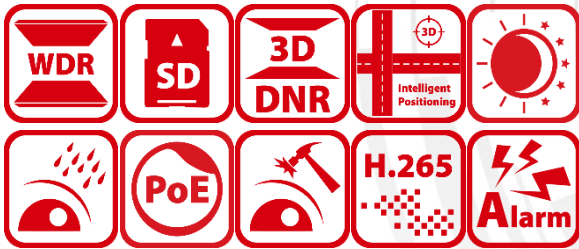


## DS-2DF6A425X-AEL (T3) 4 MP 25 × Network Speed Dome

**DarkFighter**



Hikvision DS-2DF6A425X-AEL 4 MP 25 × Network Speed Dome adopts 1/1.8" progressive scan CMOS chip. With the 25 × optical zoom lens, the camera offers more details over expansive areas.

This series of cameras can be widely used for wide ranges of high-definition, such as the rivers, forests, roads, railways, airports, ports, squares, parks, scenic spots, stations and large venues, etc.

- 1/1.8" Progressive Scan CMOS
- Up to 2560 × 1440 resolution
- Min. Illumination  
Color: 0.002 Lux @ (F1.5, AGC ON)  
B/W: 0.0002 Lux @ (F1.5, AGC ON)
- 25 × optical zoom, 16 × digital zoom
- 140dB WDR, 3D DNR, HLC
- 24 VAC & Hi-PoE
- Support H.265+/H.265 video compression
- Support vandal-proof alarm
- Support face capture to detect, track, capture, grade, and select face in motion.
- Support road traffic to detect vehicles, including license plate number, vehicle model, and vehicle color.
- Rapid focus
- IP67, IK10



## Specifications

Camera Module	
Image Sensor	1/1.8" progressive scan CMOS
Min. Illumination	Color: 0.002 Lux @ (F1.5, AGC ON) B/W: 0.0002 Lux @ (F1.5, AGC ON)
Shutter Speed	1/1 s to 1/30,000 s
Focus	Semi-Auto, Manual, Auto
Day & Night	ICR
BLC	Yes
WDR	140 dB WDR
HLC	Yes
3D DNR	Yes
EIS	Yes. Built-in gyroscope to improve EIS performance.
Regional Exposure	Yes
Regional Focus	Yes
Digital Zoom	16 ×
Optical Zoom	25 ×
Privacy Mask	Up to 24 masks, gray color, mosaic mask, rectangle region
General Function	Mirror, Password Protection, Watermark, IP Address Filter
Lens	
Focal Length	5.9 mm to 147.5 mm, 25 × Optical
Zoom Speed	Approx. 4.8 s (optical, wide-tele)
FOV	Horizontal field of view: 59.8° to 3.3° (wide-tele), Vertical field of view: 33.7° to 1.9° (wide-tele), Diagonal field of view: 65° to 3.8° (wide-tele)
Aperture	F1.5 to F3.4
PTZ	
Movement Range (Pan)	360°
Movement Range (Tilt)	-20° to 90° (auto flip)
Pan Speed	Configurable from 0.1° to 300°/s. Preset speed: 540°/s
Tilt Speed	Configurable from 0.1° to 240°/s. Preset speed: 400°/s
Proportional Zoom	Yes
Presets	300
Patrol Scan	8 patrols
Pattern Scan	4 pattern scans
Power-off Memory	Yes
Park Action	Preset, Pattern Scan, Patrol Scan, Auto Scan, Tilt Scan, Random Scan, Frame Scan, Panorama Scan
3D Positioning	Yes
PTZ Status Display	Yes
Preset Freezing	Yes

Scheduled Task	Preset, Pattern Scan, Patrol Scan, Auto Scan, Tilt Scan, Random Scan, Frame Scan, Panorama Scan, Dome Reboot, Dome Adjust, Aux Output
Vandal-proof Alarm	Yes
<b>Video</b>	
Max. Resolution	2560 × 1440
Main Stream	50Hz: 25fps (2560 × 1440, 1920×1080, 1280 × 960, 1280×720) 60Hz: 30fps (2560 × 1440, 1920×1080, 1280 × 960, 1280×720)
Sub-Stream	50Hz: 25fps (704 × 576, 640 × 480, 352 × 288) 60Hz: 30fps (704 × 480, 640 × 480, 352 × 240)
Third Stream	50Hz: 25fps (1920 × 1080, 1280 × 960, 1280 × 720, 704 × 576, 640 × 480, 352 × 288), 60Hz: 30fps (1920 × 1080, 1280 × 960, 1280 × 720, 704 × 480, 640 × 480, 352 × 240)
Video Compression	H.265, H.264, MJPEG
H.264 Type	baseline profile, main profile, high profile
H.265 Type	main profile
H.264+	Yes
H.265+	Yes
SVC	Yes
ROI	dynamic face tracking, dynamic license plate tracking, dynamic target tracking
<b>Audio</b>	
Audio Compression	G.711alaw, G.711ulaw, G.722.1, G.726, MP2L2, PCM
<b>Smart Features</b>	
Face Capture	Support detecting up to 30 faces at the same time. Support detecting, tracking, capturing, grading, selecting of face in motion, and output the best face picture of the face.
Road Traffic	Support vehicle detection (license plate number, vehicle model, and vehicle color recognition)
Basic Event	Motion Detection, Video Tampering Alarm, Alarm Input and Output
Smart Event	Face Capture, Unattended Baggage Detection, Object Removal Detection, Intrusion Detection, Line Crossing Detection, Region Entrance Detection, Region Exiting Detection, Audio Exception Detection
Smart Tracking	Manual Tracking, Event Tracking, Auto-Tracking
Smart Record	ANR, Dual-VCA
Alarm Linkage	Alarm actions, such as Preset, Patrol Scan, Pattern Scan, Memory Card Video Record, Trigger Recording, Notify Surveillance Center, Upload to FTP/Memory Card/NAS, Send Email, etc.
Perimeter Protection	Line crossing, intrusion, region entrance, region exiting Support alarm triggering by specified target types (human and vehicle)
<b>Network</b>	
Client	iVMS-4200, Hik-Connect, HikCentral
Web Browser	IE 8 to 11, Chrome 31.0+, Firefox 30.0+, Safari 11+
<b>Network</b>	
Protocols	IPv4/IPv6, HTTP, HTTPS, 802.1x, Qos, FTP, SMTP, UPnP, SNMP, DNS, DDNS, NTP, RTSP, RTCP, RTP, TCP/IP, DHCP, PPPoE, UDP, IGMP, ICMP, Bonjour

API	ONVIF (Profile S, Profile G, Profile T), ISAPI, SDK
Simultaneous Live View	Up to 20 channels
User/Host	Up to 32 users, 3 levels: Administrator, Operator and User
Security Measures	User authentication (ID and PW), Host authentication (MAC address); HTTPS encryption; IEEE 802.1x port-based network access control; IP address filtering
<b>Interface</b>	
Communication Interface	1 RJ45 10 M/100 M Ethernet Interface; Hi-PoE
On-board Storage	Built-in memory card slot, support Micro SD/Micro SDHC/Micro SDXC, up to 256 GB; NAS (NFS, SMB/ CIFS), ANR
Alarm Input	7 alarm inputs
Alarm Output	2 alarm outputs
Audio Input	1 audio input, 2.0 to 2.4 Vp-p, 1k Ohm $\pm$ 10%
Audio Output	1 audio output, line level, impedance: 600 $\Omega$
Video Output	1.0 V [p-p]/75 $\Omega$ , PAL, NTSC, BNC connector
RS-485	HIKVISION, Pelco-P, Pelco-D, self-adaptive
<b>General</b>	
Power	24 VAC (max. 60 W, including max. 10 W for heater), Hi-PoE (max. 50 W, including max. 10 W for heater)
Operating Conditions	Temperature: -40°C to 70°C (-40°F to 158°F), Humidity: $\leq$ 90%
Dimensions	$\Phi$ 231.1 mm $\times$ 355.6 mm ( $\Phi$ 9.10" $\times$ 14")
Weight	Approx. 6 kg (13.23 lb)
Web Client Language	32 languages: English, Russian, Estonian, Bulgarian, Hungarian, Greek, German, Italian, Czech, Slovak, French, Polish, Dutch, Portuguese, Spanish, Romanian, Danish, Swedish, Norwegian, Finnish, Croatian, Slovenian, Serbian, Turkish, Korean, Traditional Chinese, Thai, Vietnamese, Japanese, Latvian, Lithuanian, Portuguese (Brazil)
<b>Approval</b>	
Protection	Lightning Protection, Surge Protection and Voltage Transient Protection, $\pm$ 6 kV Line to Gnd, $\pm$ 3kV Line to Line, IEC61000-4-5, IP67 Standard, IK10

## DORI

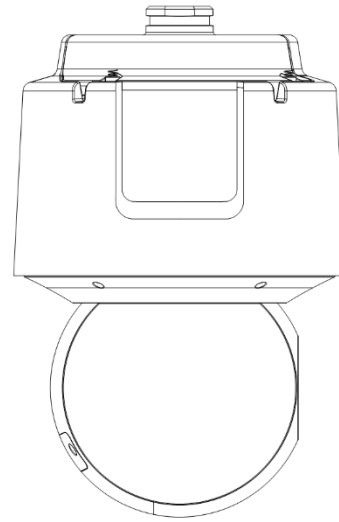
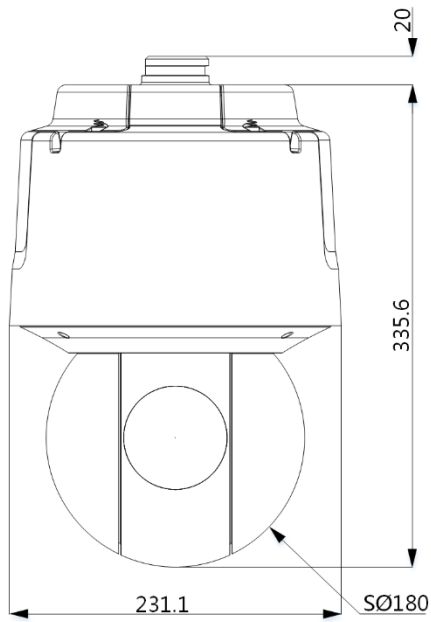
The DORI (detect, observe, recognize, identify) distance gives the general idea of the camera ability to distinguish persons or objects within its field of view. It is calculated based on the camera sensor specification and the criteria given by EN 62676-4: 2015.

DORI	Detect	Observe	Recognize	Identify
Definition	25 px/m	63 px/m	125 px/m	250 px/m
Distance (Tele)	2034.5 m (6674.9 ft)	807.3 m (2648.6 ft)	406.9 m (1335.0 ft)	203.4 m (667.3 ft)

## Available Model

DS-2DF6A425X-AEL (T3), 24 VAC & Hi-PoE

**Dimensions**



Unit:mm

**Accessory**

**Included**



Installation Adapter

**Optional**



DS-1604ZJ-Corner-P  
Corner Mount



DS-1673ZJ-P  
Horizontal Pole Mount



DS-1663ZJ-P  
Ceiling Mount



DS-1662ZJ-P  
Pendant Mount



DS-1667ZJ-P  
Pendant Mount



DS-1682ZJ-P  
Extension Bar for Pendant  
Mount



DS-1604ZJ-BOX-POLE-P  
Vertical Pole Mount



DS-1604ZJ-Pole-P  
Vertical Pole Mount



TEAC-66-243000V (EU)  
MKAC-66-243000U (USA)  
TEAC-66-243000VB (UK)  
Power adapter



LAS60-57CN-RJ45  
Hi-PoE Midspan

Distributed by



## HIKVISION®

### Headquarters

No.555 Qianmo Road, Binjiang District,  
Hangzhou 310051, China  
T +86-571-8807-5998  
overseasbusiness@hikvision.com

**Hikvision USA**  
T +1-909-895-0400  
sales.usa@hikvision.com

**Hikvision Australia**  
T +61-2-8599-4233  
salesau@hikvision.com

**Hikvision India**  
T +91-22-28469900  
sales@pramahikvision.com

**Hikvision Canada**  
T +1-866-200-6690  
sales.canada@hikvision.com

**Hikvision Thailand**  
T +662-275-9949  
sales.thailand@hikvision.com

**Hikvision Europe**  
T +31-23-5542770  
sales.eu@hikvision.com

**Hikvision Italy**  
T +39-0438-6902  
info.it@hikvision.com

**Hikvision Brazil**  
T +55 11 3318-0050  
Latam.support@hikvision.com

**Hikvision Turkey**  
T +90 (216)521 7070- 7074  
sales.tr@hikvision.com

**Hikvision Malaysia**  
T +601-7652-2413  
sales.my@hikvision.com

**Hikvision UK & Ireland**  
T +01628-902140  
sales.uk@hikvision.com

**Hikvision South Africa**  
Tel: +27 (10) 0351172  
sale.africa@hikvision.com

**Hikvision France**  
T +33(0)1-85-330-450  
info.fr@hikvision.com

**Hikvision Kazakhstan**  
T +7-727-9730667  
nikia.panfilov@hikvision.ru

**Hikvision Vietnam**  
T +84-974270888  
sales.vt@hikvision.com

**Hikvision UAE**  
T +971-4-4432090  
salesme@hikvision.com

**Hikvision Singapore**  
T +65-6684-4718  
sg@hikvision.com

**Hikvision Spain**  
T +34-91-737-16-55  
info.es@hikvision.com

**Hikvision Tashkent**  
T +99-87-1238-9438  
uzb@hikvision.ru

**Hikvision Hong Kong**  
T +852-2151-1761  
info.hk@hikvision.com

**Hikvision Russia**  
T +7-495-669-67-99  
saleru@hikvision.com

**Hikvision Korea**  
T +82-[0]31-731-8817  
sales.korea@hikvision.com

**Hikvision Poland**  
T +48-22-460-01-50  
info.pl@hikvision.com

**Hikvision Indonesia**  
T +62-21-2933759  
Sales.Indonesia@hikvision.com

**Hikvision Colombia**  
sales.colombia@hikvision.com