

DS-2DF4420-DX(S6)(C)(304)

4-inch 20 × Explosion-proof Network Speed Dome



- Ex-mark: ATEX: Ex II 2GD Ex db IIC T6 Gb /Ex tb IIIC T80°C Db; IECEx: Ex db IIC T6 Gb /Ex tb IIIC T80°C Db
- Certificate No.: ATEX: SEV 20 ATEX 0415 X; IECEx: IECEx NEP 20.0018X
- 4 MP 1/2.8" progressive scan CMOS
- Supports H.265 video compression
- 20 × optical zoom, focal length 4.8 mm to 96 mm
- 304 stainless steel
- 120 dB WDR, 3D DNR
- High quality imaging with high-performance sensor

▪ Specification

Camera	
Image Sensor	1/2.8" Progressive Scan CMOS
Max. Resolution	2560 × 1440
Min. Illumination	Color: 0.005 Lux @ (F1.6, AGC ON), B/W: 0.001 Lux @ (F1.6, AGC ON)
Shutter Speed	1/1 s to 1/30,000 s
Day & Night	IR cut filter
Zoom	20 × optical, 16 × digital
Slow Shutter	yes
Lens	
Focal Length	4.8 to 96 mm
FOV	Horizontal field of view: 55° to 2.6°, vertical field of view: 30.6° to 1.5°, diagonal field of view: 60.5° to 3.0°
Focus	Auto, semi-auto, manual
Aperture	F1.6
Zoom Speed	Approx. 2.9 s
PTZ	
Movement Range (Pan)	360° endless
Movement Range (Tilt)	0° to 90°, auto flip
Pan Speed	Pan speed: configurable from 0.1° to 160°/s, preset speed: 160°/s
Tilt Speed	Tilt speed: configurable from 0.1° to 120°/s, preset speed 120°/s
Proportional Pan	Yes
Presets	300
Preset Freezing	Yes
Patrol Scan	8 patrols, up to 32 presets for each patrol
Pattern Scan	4 pattern scans, record time over 10 minutes for each scan
Park Action	Preset, pattern scan, patrol scan, auto scan, tilt scan, random scan, frame scan, panorama scan
3D Positioning	Yes
PTZ Status Display	Yes
Scheduled Task	Preset, pattern scan, patrol scan, auto scan, tilt scan, random scan, frame scan, panorama scan, dome reboot, dome adjust, aux output
Power-off Memory	Yes
Video	
Main Stream	50 Hz: 25 fps (2560 × 1440, 1920 × 1080, 1280 × 960, 1280 × 720) 60 Hz: 30 fps (2560 × 1440, 1920 × 1080, 1280 × 960, 1280 × 720)
Sub-Stream	50 Hz: 25 fps (704 × 576, 640 × 480, 352 × 288) 60 Hz: 30 fps (704 × 480, 640 × 480, 352 × 240)
Third Stream	50 Hz: 25 fps (1920 × 1080, 1280 × 960, 1280 × 720, 704 × 576, 640 × 480, 352 × 288) 60 Hz: 30 fps (1920 × 1080, 1280 × 960, 1280 × 720, 704 × 480, 640 × 480, 352 × 240)
Video Bit Rate	32 Kbps to 16384 Mbps
H.264 Type	Baseline profile, Main profile, High profile
H.265 Type	Main profile
Scalable Video Coding (SVC)	H.264 and H.265 encoding
Region of Interest (ROI)	8 fixed regions for each stream

Network	
Protocols	TCP/IP, IPv4/IPv6, HTTP, HTTPS, 802.1X, QoS, FTP, SMTP, UPnP, SNMP, DNS, DDNS, NTP, RTSP, RTCP, RTP, UDP, IGMP, ICMP, DHCP, PPPoE, Bonjour
Simultaneous Live View	Up to 20 channels
API	Open Network Video Interface (Profile S, Profile G, Profile T), ISAPI, SDK
User/Host	Up to 32 users. 3 user levels: administrator, operator, and user
Security	host authentication (MAC address), HTTPS encryption, IP address filter, 802.1X authentication (EAP-TLS, EAP-LEAP, EAP-MD5), Password protection, complicated password
Network Storage	NAS (NFS, SMB/CIFS), auto network replenishment (ANR)
Client	iVMS-4200, Hik-Connect
Web Browser	IE10-11, Chrome 57+, Firefox 52+, Safari 12+
Image	
Image Parameters Switch	Yes
Image Settings	saturation, brightness, sharpness, contrast
Day/Night Switch	auto
Wide Dynamic Range (WDR)	120 dB
SNR	≥ 52 dB
Defog	Digital defog
Image Enhancement	BLC, HLC, 3D DNR
Privacy Mask	mask color or mosaic configurable, up to 24 programmable polygon privacy masks
Regional Focus	Yes
Regional Exposure	Yes
Interface	
Ethernet Interface	1 RJ45 10/100 M self-adaptive Ethernet port
On-board Storage	Built-in memory card slot, support microSD/microSDHC/microSDXC card, up to 256 GB
Alarm	1 input(s), 1 output(s)
Event	
Basic Event	Motion detection, video tampering alarm, alarm input and output, exception (IP address conflict, HDD full, illegal login, HDD error, network disconnected, Abnormal Reboot)
Smart Event	intrusion detection, Line crossing detection, region entrance detection, region exiting detection, unattended baggage detection, object removal detection, Face detection
Linkage	Upload to FTP/NAS/memory card, notify surveillance center, send email, trigger alarm output, trigger recording, and PTZ actions (such as preset, patrol scan, pattern scan)
Smart Linkage	Manual tracking, panorama tracking
General	
Power	12 VDC ± 25%, max. 7 W, PoE (802.3af), Class A, 36 to 57 V, max. 7 W
Dimension	Ø184 mm × 264.2 mm (Ø7.2" × 10.4")
Weight	Approx. 8 kg (17.64 lb.)
Material	SUS304
Operating Condition	-30 °C to 60 °C (-22 °F to 140 °F). Humidity 95% or less (non-condensing)
General Function	mirror, password protection, watermark, IP address filter
Cable Length	1.8 m (5.91 ft.)

Demist	Yes
Approval	
EMC	FCC (47 CFR Part 15, Subpart B), CE-EMC (EN 55032: 2015, EN 61000-3-2: 2019, EN 61000-3-3: 2013 + A1: 2019, EN 50130-4: 2011 + A1: 2014), RCM (AS/NZS CISPR 32: 2015), IC (ICES-003: Issue 7), KC (KN 32: 2015, KN 35: 2015)
Safety	CB (IEC 62368-1: 2014 + A11), CE-LVD (EN 62368-1: 2014/A11: 2017), BIS (IS 13252 (Part 1): 2010/IEC 60950-1: 2005)
Protection	IP68 (IEC 60529-2013), TVS 6000 V lightning protection, surge protection and voltage transient protection
Explosion-Proof Protection	IECEX: IECEX NEP 20.0018X ATEX: SEV 20 ATEX 0415 X ATEX: Ex II 2GD Ex db IIC T6 Gb /Ex tb IIIC T80°C Db; IECEX: Ex db IIC T6 Gb /Ex tb IIIC T80°C Db

▪ DORI

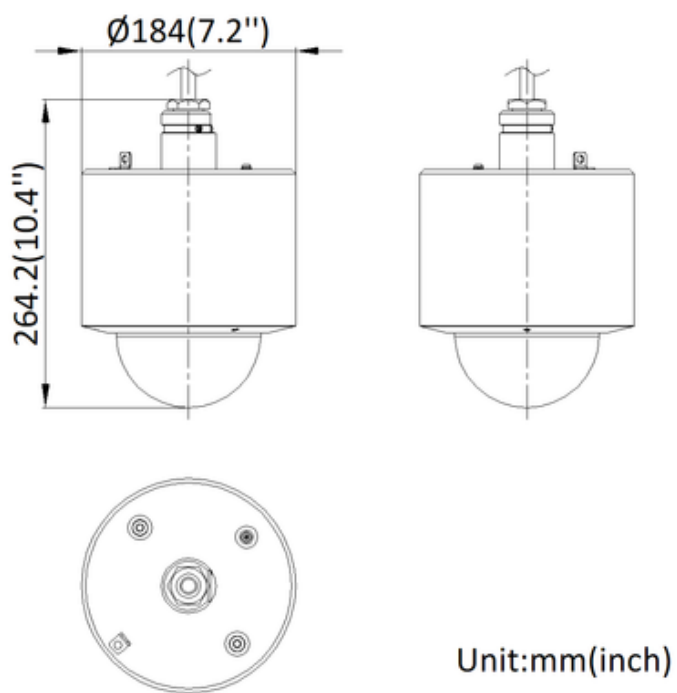
The DORI (detect, observe, recognize, identify) distance gives the general idea of the camera ability to distinguish persons or objects within its field of view. It is calculated based on the camera sensor specification and the criteria given by EN 62676-4: 2015.

DORI	Detect	Observe	Recognize	Identify
Definition	25 px/m	63 px/m	125 px/m	250 px/m
Distance (Tele)	1280 m (4198.4 ft)	507.9 m (1665.9 ft)	256 m (839.68 ft)	128 m (419.84 ft)

▪ Available Model

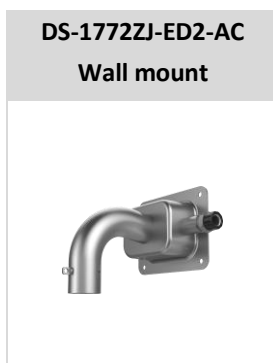
DS-2DF4420-DX(S6)(C)

▪ **Dimension**






▪ **Accessory**

▪ **Included**



▪ **Optional**

<p>DS-2XE2601-1-Y(SS) Explosion Proof Flexible Conduit</p>	<p>DS-2781ZJ-X(OS)(O-STD) /316L DS-2781ZJ-X(OS)(O-STD) /316L</p>	<p>DS-2780ZJ-X(OS)(O-STD) /316L Junction box</p>
		

Headquarters

No.555 Qianmo Road, Binjiang District,
Hangzhou 310051, China
T +86-571-8807-5998
www.hikvision.com



Follow us on social media to get the latest product and solution information.

