

## DS-2DE7S425MW-AEB(F1)(S5) 4 MP 25× Network Speed Dome

### AcuSense



Hikvision DS-2DE7S425MW-AEB(F1)(S5) 4 MP 25× Network Speed Dome adopts a 1/1.8" progressive scan CMOS chip and a 1/2.8" progressive scan CMOS chip. With the 25× optical zoom lens, the camera offers more details over expansive areas.

This series of cameras can be widely used for wide ranges of high-definition, such as the rivers, roads, railways, airports, squares, parks, scenic spots, and venues, etc.

Empowered by deep learning algorithms, Hikvision AcuSense technology brings human and vehicle targets classification alarms to front- and back-end devices. The system focuses on human and vehicle targets, vastly improving alarm efficiency and effectiveness.

- Single channel mode provides a wide-angle view to cover large areas. Dual channel mode provides both overview and detailed view with panoramic and PTZ channels
- Focuses on human and vehicle targets classification based on deep learning in single channel mode
- Supports face capture in single channel mode. Up to 5 faces captured at the same time
- Active strobe light and audio alarm to warn intruders off
- High quality imaging with 4 MP resolution
- 24/7 colorful imaging for the fixed-focal lens and excellent low-light performance with powered-by-DarkFighter technology for the varifocal lens
- 25× optical zoom provides close up views over expansive areas
- Expansive night view with up to 200 m IR distance



## ▪ DORI

The DORI (detect, observe, recognize, identify) distance gives the general idea of the camera ability to distinguish persons or objects within its field of view.

It is calculated based on the camera sensor specification and the criteria given by EN 62676-4: 2015.

DORI	Detect	Observe	Recognize	Identify
Definition	25 px/m	63 px/m	125 px/m	250 px/m
Distance (Tele)	1655.2 m (5430.4 ft)	656.8 m (2154.9 ft)	331.0 m (1086.0 ft)	165.5 m (543.0 ft)

## ▪ Specification

Camera Module	
Image Sensor	[fixed-focal] 1/1.8" progressive scan CMOS; [varifocal] 1/2.8" progressive scan CMOS
Min. Illumination	[fixed-focal] Color: 0.0005 Lux @ (F1.0, AGC ON); 0 Lux with light; [varifocal] Color: 0.005 Lux @ (F1.6, AGC ON); B/W: 0.001 Lux @ (F1.6, AGC ON); 0 Lux with IR
Shutter Speed	1/1 s to 1/30000 s
Slow Shutter	yes
Focus	semi-auto, manual, auto
Day & Night	[fixed-focal] 24/7 colorful imaging; [varifocal] ICR
Day/Night Switch	day, night, auto, scheduled-switch
BLC	yes
WDR	digital WDR
HLC	yes
3D DNR	yes
Defog	yes
EIS	yes
Regional Exposure	yes
Regional Focus	yes
Image Settings	saturation, brightness, contrast, sharpness
Image Parameters Switch	yes
White Balance	auto, ATW, sodium lamp, fluorescent lamp, indoor, outdoor, MWB, Locked WB
Digital Zoom	16×
Optical Zoom	25×
Privacy Mask	up to 24 masks, polygon region, mosaic mask, mask color configurable
SNR	>52dB
General Function	mirror, password protection, watermark, IP address filter
Lens	
Focal Length	[fixed-focal] 4 mm; [varifocal] 4.5 mm to 112.5 mm, 25× Optical
Zoom Speed	approx. 7.4 s

FOV	[fixed-focal] horizontal field of view: 88.7°, vertical field of view: 46.5°, diagonal field of view: 105.0°; [varifocal] Horizontal field of view: 56.9° to 3.2° (wide-tele), Vertical field of view: 34° to 1.8° (wide-tele), Diagonal field of view: 63.7° to 3.7(wide-tele)
Aperture	[fixed-focal] F1.0; [varifocal] F1.6
<b>PTZ</b>	
Movement Range (Pan)	360°
Movement Range (Tilt)	-15° to 90° (auto flip)
Pan Speed	pan speed: configurable from 0.1° to 160°/s; preset speed: 240°/s
Tilt Speed	tilt speed: configurable from 0.1° to 120°/s, preset speed 200°/s
Proportional Zoom	yes
Presets	300
Patrol Scan	8 patrols, up to 32 presets for each patrol
Pattern Scan	4 pattern scans
Power-off Memory	yes
Park Action	preset, pattern scan, patrol scan, auto scan, tilt scan, random scan, frame scan, panorama scan
3D Positioning	yes
PTZ Status Display	yes
Preset Freezing	yes
Scheduled Task	preset, pattern scan, patrol scan, auto scan, tilt scan, random scan, frame scan, panorama scan, dome reboot, dome adjust, aux output
<b>Video</b>	
Max. Resolution	2560 × 1440
Stream Type	main stream, sub-stream
Main Stream	50 Hz: 25 fps (2560 × 1440, 1920 × 1080, 1280 × 960, 1280 × 720); 60 Hz: 20 fps (2560 × 1440, 1920 × 1080, 1280 × 960, 1280 × 720)
Sub-Stream	50 Hz: 25 fps (704 × 576, 640 × 480, 352 × 288); 60 Hz: 20 fps (704 × 480, 640 × 480, 352 × 240)
Video Compression	H.265, H.264, MJPEG
Video Bit Rate	32 kbps -to 16384 kbps
H.264 Type	baseline profile, main profile, high profile
H.265 Type	main profile
H.264+	yes
H.265+	yes
SVC	yes
ROI	Fixed region, main stream, sub-stream and third stream respectively support eight fixed areas
<b>Audio</b>	
Audio Compression	G.711alaw, G.711ulaw, G.722.1, G.726, MP2L2, AAC, PCM

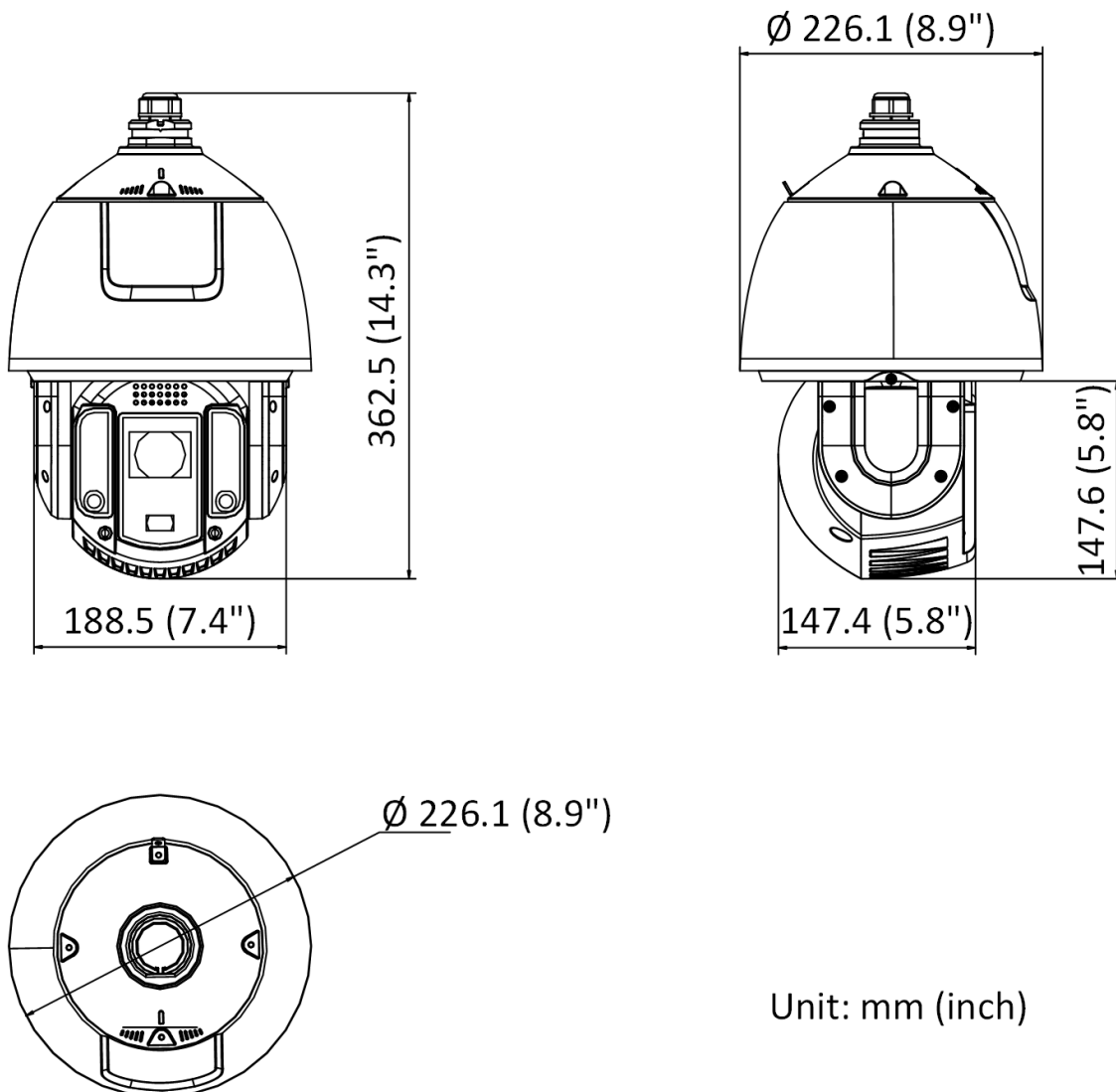
Audio Bit rate	G.722.1: 16Kbps, G.711ulaw: 64Kbps, G.711alaw: 64Kbps, MP2L2: 32 kbps, 40 kbps, 48 kbps, 56 kbps, 64 kbps, 80 kbps, 96 kbps, 112 kbps, 128 kbps, 144 kbps, 160 kbps, 192 kbps; AAC: 16 kbps, 32 kbps, 64 kbps
Audio Sampling Rate	MP2L2: 16kHz, 32kHz, 48kHz, AAC: 16kHz, 32kHz, 48kHz, PCM: 8kHz, 16kHz, 32kHz, 48kHz
Environment Noise Filtering	yes
<b>Smart Features</b>	
Face Capture	yes
Basic Event	audio exception, motion detection, alarm input, alarm output, video tampering alarm, exception
Smart Event	intrusion detection, line crossing detection, region entrance detection, region exiting detection, unattended baggage detection, object removal detection
Smart Record	ANR, Dual-VCA
Alarm Linkage	preset, patrol scan, pattern scan, memory card video recording, alarm output, sending email, notify surveillance center, upload to FTP, audible warning, white light flashing
Warning and Alert	audible warning, white light warning
Perimeter Protection	Line crossing, intrusion, region entrance, region exiting Support alarm triggering by specified target types (human and vehicle)
<b>Network</b>	
Network Storage	NAS (NFS, SMB/ CIFS), ANR
Protocols	IPv4/IPv6, HTTP, HTTPS, 802.1x, Qos, FTP, SMTP, UPnP, SNMP, DNS, DDNS, NTP, RTSP, RTP, TCP/IP, UDP, IGMP, ICMP, DHCP, PPPoE, Bonjour
API	ISAPI, Hikvision SDK, Hik-Connect, ISUP, Open Network Video Interface
Simultaneous Live View	Up to 20 channels
User/Host	32
Security Measures	Authenticated username and password, MAC address binding, HTTPS encryption, 802.1X authenticated access, IP address filter
Client	iVMS-4200, Hik-Connect
Web Browser	IE10-11, Chrome 57+, Firefox 52+, Safari 12+
<b>Interface</b>	
Communication Interface	RJ45, self-adaptive 10M/100M Ethernet port
On-board Storage	support microSD/microSDHC/microSDXC cards, up to 256 GB
Alarm Input	2 alarm inputs
Alarm Output	1 alarm output
Audio Input	1 audio input, 2.0 to 2.4Vp-p, 1k Ohm±10%
Audio Output	1 audio output
<b>Supplement Light</b>	
IR Distance	Up to 200 m
White Light Distance	Up to 30 m
Visual Alarm	White light
<b>General</b>	
Power	24 VAC, Hi-PoE
Power Consumption and Current	Max. 42 W, including max. 15 W for supplement light
Operating Conditions	-30°C to 65°C (-22°F to 149°F), humidity lower than 90%RH
Reset	yes
Demist	yes

Material	ADC12
Dimensions	Ø 226.1 mm × 362.5 mm (Ø 8.9" × 14.3")
Weight	approx. 4.9 kg (10.8 lb.)
<b>Approval</b>	
Protection	IP66, IK10 (excluding glass window), 6000V Lightning Protection, Surge Protection and Voltage Transient Protection

▪ **Available Model**

DS-2DE7S425MW-AEB(F1) (S5)

▪ **Dimension**



Unit: mm (inch)

- Accessory

- Optional

<b>DS-1602ZJ</b> <b>Wall mount</b>	<b>DS-1602ZJ-Corner</b> <b>Corner mount</b>	<b>DS-1602ZJ-Pole</b> <b>Vertical pole</b> <b>mount</b>	<b>DS-1661ZJ</b> <b>Pendant Mount</b>
			

Distributed by

**HIKVISION®****Headquarters**

No.555 Qianmo Road, Binjiang District,  
Hangzhou 310051, China  
T +86-571-8807-5998  
overseasbusiness@hikvision.com

**Hikvision USA**  
T +1-909-895-0400  
sales.usa@hikvision.com

**Hikvision Australia**  
T +61-2-8599-4233  
salesau@hikvision.com

**Hikvision India**  
T +91-22-28469900  
sales@pramahikvision.com

**Hikvision Canada**  
T +1-866-200-6690  
sales.canada@hikvision.com

**Hikvision Thailand**  
T +662-275-9949  
sales.thailand@hikvision.com

**Hikvision Europe**  
T +31-23-5542770  
sales.eu@hikvision.com

**Hikvision Italy**  
T +39-0438-6902  
info.it@hikvision.com

**Hikvision Brazil**  
T +55 11 3318-0050  
Latam.support@hikvision.com

**Hikvision Turkey**  
T +90 (216)521 7070- 7074  
sales.tr@hikvision.com

**Hikvision Malaysia**  
T +601-7652-2413  
sales.my@hikvision.com

**Hikvision UK & Ireland**  
T +01628-902140  
sales.uk@hikvision.com

**Hikvision South Africa**  
Tel: +27 (10) 0351172  
sale.africa@hikvision.com

**Hikvision France**  
T +33(0)1-85-330-450  
info.fr@hikvision.com

**Hikvision Kazakhstan**  
T +7-727-9730667  
nikia.panfilov@hikvision.ru

**Hikvision Vietnam**  
T +84-974270888  
sales.vt@hikvision.com

**Hikvision UAE**  
T +971-4-4432090  
salesme@hikvision.com

**Hikvision Singapore**  
T +65-6684-4718  
sg@hikvision.com

**Hikvision Spain**  
T +34-91-737-16-55  
info.es@hikvision.com

**Hikvision Tashkent**  
T +99-87-1238-9438  
uzb@hikvision.ru

**Hikvision Hong Kong**  
T +852-2151-1761  
info.hk@hikvision.com

**Hikvision Russia**  
T +7-495-669-67-99  
sateru@hikvision.com

**Hikvision Korea**  
T +82-(0)31-731-8817  
sales.korea@hikvision.com

**Hikvision Poland**  
T +48-22-460-01-50  
info.pl@hikvision.com

**Hikvision Indonesia**  
T +62-21-2933759  
Sales.Indonesia@hikvision.com

**Hikvision Colombia**  
sales.colombia@hikvision.com