

DS-2CD6924G0-IHS(/NFC) 180° Stitched 8 MP PanoVu Camera



- 180° splicing image to present all scenes that covered by the camera
- Built-in heater, ultra-low temperature start up to -40°C
- Water and dust resistant (IP67) and vandal proof(IK10)
- Smart human density counting and public behavior analysis to increase public area safety

▪ DORI

The DORI (detect, observe, recognize, identify) distance gives the general idea of the camera ability to distinguish persons or objects within its field of view. It is calculated based on the camera sensor specification and the criteria given by EN 62676-4: 2015.

DORI	Detect	Observe	Recognize	Identify
Distance(2.8 mm)	32 m	12.5 m	6.5 m	3 m
Distance(6 mm)	63.2 m	25.1 m	12.6 m	6.3 m



▪ Specification

Camera	
Image Sensor	1/1.8" Progressive Scan CMOS
Min. Illumination	Color: 0.003 Lux @ (F1.2, AGC ON); B/W: 0.0018 Lux @ (F1.6, AGC ON), 0 Lux with IR
Shutter Speed	1/25 s to 1/100,000 s
Day & Night	IR cut filter. Blue glass module to reduce ghost phenomenon.
Angle Adjustment	Pan: 0° to 355°, tilt: 0° to 90°
WDR	Digital WDR
Lens	
Aperture	F1.4
Focus	Manual, semi-auto
FOV	2.8 mm: horizontal FOV 180°, vertical FOV 90° 6 mm: horizontal FOV 180°, vertical FOV 25°
Lens Mount	M16
Lens Type	Fixed lens, 2.8 mm/6 mm, four lenses
Illuminator	
IR Range	Four IR LEDs, up to 20 m
Wavelength	850 nm
Video	
Max. Resolution	2.8 mm Panorama+ePTZ mode: panorama channel: 1920 × 1080; ePTZ channel: 1920 × 1080 Panorama mode: 3840 × 2160 Original mode: 1920 × 1080 6 mm Panorama+ePTZ mode: panorama channel: 2400 × 400; ePTZ channel: 1920 × 1080 Panorama mode: 6480 × 1080 Original mode: 1920 × 1080
Main Stream	2.8 mm Panorama+ePTZ mode: panorama channel: 50Hz: 25fps (1920 × 1080, 1280 × 720), 60Hz: 30fps (1920 × 1080, 1280 × 720); ePTZ channel: 50Hz: 25fps (1920 × 1080, 1280 × 720), 60Hz: 30fps (1920 × 1080, 1280 × 720) Panorama mode: 50Hz: 25fps (3840 × 2160, 2560 × 1440, 1920 × 1080), 60Hz: 30fps (3840 × 2160, 2560 × 1440, 1920 × 1080) Original mode: 50Hz: 25fps (1920 × 1080), 60Hz: 30fps (1920 × 1080) 6 mm Panorama+ePTZ mode: panorama channel: 50Hz: 25fps (2400 × 400), 60Hz: 30fps (2400 × 400); ePTZ channel: 50Hz: 25fps (1920 × 1080, 1280 × 720), 60Hz: 30fps (1920 × 1080, 1280 × 720) Panorama mode: 50Hz: 25fps (6480 × 1080, 4800 × 800, 3600 × 600), 60Hz: 30fps (6480 × 1080, 4800 × 800, 3600 × 600) Original mode: 50Hz: 25fps (1920 × 1080), 60Hz: 30fps (1920 × 1080)

Sub Stream	2.8 mm Panorama mode: 50Hz: 25fps (1280 × 720, 640 × 360), 60Hz: 30fps (1280 × 720, 640 × 360) 6 mm Panorama mode: 50Hz: 25fps (2400 × 400, 1920 × 320, 1440 × 240), 60Hz: 30fps (2400 × 400, 1920 × 320, 1440 × 240)
Video Compression	Main stream: H.265/H.264 Sub-stream: H.265/H.264/MJPEG
H.264 Type	Baseline Profile/ Main Profile/ High Profile
H.265 Type	Main Profile
Video Bit Rate	32 Kbps to 65 Mbps
SVC	H.264 and H.265 encoding
H.264+	Main stream support
H.265+	Main stream support
Audio	
Audio Compression	G.711/G.722.1/G.726/MP2L2/PCM
Audio Bit Rate	64Kbps(G.711)/16Kbps(G.722.1)/16Kbps(G.726)/32-192Kbps(MP2L2)/32Kbps(PCM)
Environment Noise Filtering	Yes
Audio Sampling Rate	8 kHz/16 kHz/32 kHz/48 kHz
Smart Feature-Set	
Basic Event	Motion detection (only panorama and original modes support), exception (network disconnected, IP address conflict, illegal login, HDD full, HDD error)
People Density	Yes (only panorama mode supports)
Linkage Method	Upload to FTP/NAS/memory card, notify surveillance center, send email, trigger alarm output, trigger recording, trigger capture
Image	
Image Enhancement	BLC, HLC, 3D DNR, Defog, EIS (only the original mode supports)
Image Setting	Rotate mode (only the original mode supports), saturation, brightness, contrast, sharpness, AGC, and white balance are adjustable by client software or web browser
Target Cropping	Yes (only panorama mode supports)
Day/Night Switch	Day/Night/Auto/Schedule/Triggered by Alarm In
Picture Overlay	LOGO picture can be overlaid on video with 128 × 128 24 bit bmp format
Network	
Network Storage	microSD/SDHC/SDXC card (256 GB), local storage and NAS (NFS,SMB/CIFS), ANR
Protocols	TCP/IP, ICMP, HTTP, HTTPS, FTP, DHCP, DNS, DDNS, RTP, RTSP, RTCP, PPPoE, NTP, UPnP, SMTP, SNMP, IGMP, 802.1X, QoS, IPv6, UDP, Bonjour
API	ONVIF (PROFILE S, PROFILE G), ISAPI, SDK, Ehome
Security	Password protection, complicated password, HTTPS encryption, 802.1X authentication (EAP-TLS, EAP-LEAP, EAP-MD5), watermark, IP address filter, basic and digest authentication for HTTP/HTTPS, WSSE and digest authentication for ONVIF, RTP/RTSP over HTTPS, control timeout settings, TLS 1.2, TLS1.0, TLS1.1
Simultaneous Live View	Up to 20 channels
User/Host	Up to 32 users. 3 user levels: administrator, operator and user
Client	iVMS-4200
Web Browser	IE8+

Interface	
Communication Interface	1 RJ45 10M/100M/1000M Ethernet port; 1 RS-485 interface (half duplex, HIKVISION, Pelco-P, Pelco-D, self-adaptive)
Audio	1 input (line in), 3.5 mm 3-section connector, max. input amplitude: 1 vpp, input impedance: 4.7 k Ω , interface type: non-equilibrium; 1 output (line out), 3.5 mm 3-section connector, max. output amplitude: 1 vpp, output impedance: 100 Ω , interface type: non-equilibrium
Alarm	2 inputs, 2 outputs (max. 24 VDC, 1 A)
On-board Storage	Built-in microSD/SDHC/SDXC slot, up to 256GB
General	
Firmware Version	V5.5.84
Web Client Language	English
General Function	Anti-flicker, heartbeat, mirror (only original mode supports), privacy masks (only original mode supports), password protection, watermark, IP address filter, pixel counter
Reset	Reset via reset button on camera body, web browser and client software
Startup and Operating Conditions	-40 °C to +60 °C (-40 °F to +140 °F), humidity 95% or less (non-condensing)
Storage Conditions	-40 °C to +60 °C (-40 °F to +140 °F), humidity 95% or less (non-condensing)
Power Supply	12 VDC, three-core terminal block, PoE (802.3at)
Power Consumption and Current	12 VDC, 1.6 A, max. 24 W, PoE (802.3at, 42.5 V to 57 V), 0.5 to 0.4 A
Material	Aluminum alloy
Dimensions	Camera: 189.5 × 207.63 × 206.62 mm (7.46" × 8.17" × 8.13") With Package: 340 × 261 × 293 mm (13.4" × 10.3" × 11.5")
Weight	Camera: approx. 3 kg (6.6 lb.) With package: approx. 5 kg (11 lb.)
Heater	Yes
Approval	
EMC	FCC (47 CFR Part 15, Subpart B); CE-EMC (EN 55032: 2015, EN 61000-3-2: 2014, EN 61000-3-3: 2013, EN 50130-4); RCM (AS/NZS CISPR 32:2015); IC (ICES-003: Issue 6, 2016); KC (KN 32: 2015, KN 35: 2015);
Safety	UL (UL 60950-1); CB (IEC 60950-1:2005 + Am 1:2009 + Am 2:2013); BIS (IS 13252 (Part 1): 2010+A1:2013+A2:2015); CE-LVD (EN 60950-1:2005 + Am 1:2009 + Am 2:2013);
Chemistry	CE-ROHS (2011/65/EU); REACH (Regulation (EC) No 1907/2006); WEEE (2012/19/EU);
Protection	Ingress protection: IK10 (IEC 62262:2002), IP67 (IEC 60529-2013)
Fiber Optical	
Interface Type	/NFC: FC interface
Optical Type	/NFC: Single mode, single fiber
Input/output Wavelength	/NFC: Tx1310nm/1.25G, Rx1550nm/1.25G

Transmission Distance

/NFC: Up to 20 km

Available Model

DS-2CD6924G0-IHS (2.8 mm), DS-2CD6924G0-IHS/NFC (2.8 mm), DS-2CD6924G0-IHS (6 mm), DS-2CD6924G0-IHS/NFC (6 mm)

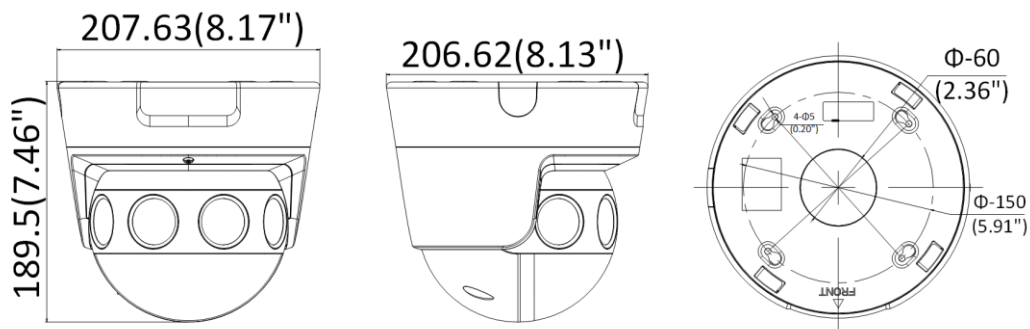
▪ Typical Application

Hikvision products are classified into three levels according to their anti-corrosion performance. Refer to the following description to choose for your using environment.

This model has NO SPECIFIC PROTECTION.

Level	Description
Top-level protection	Hikvision products at this level are equipped for use in areas where professional anti-corrosion protection is a must. Typical application scenarios include coastlines, docks, chemical plants, and more.
Moderate protection	Hikvision products at this level are equipped for use in areas with moderate anti-corrosion demands. Typical application scenarios include coastal areas about 2 kilometers (1.24 miles) away from coastlines, as well as areas affected by acid rain.
No specific protection	Hikvision products at this level are equipped for use in areas where no specific anti-corrosion protection is needed.

Dimension



Unit: mm

Accessory



DS-1602ZJ
Wall Mount



DS-1661ZJ
Pendant Mount



Cap (Included)

Distributed by

**HIKVISION®****Headquarters**

No.555 Qianmo Road, Binjiang District,
Hangzhou 310051, China
T +86-571-8807-5998
overseasbusiness@hikvision.com

Hikvision USA
T +1-909-895-0400
sales.usa@hikvision.com

Hikvision Australia
T +61-2-8599-4233
salesau@hikvision.com

Hikvision India
T +91-22-28469900
sales@pramahikvision.com

Hikvision Canada
T +1-866-200-6690
sales.canada@hikvision.com

Hikvision Thailand
T +662-275-9949
sales.thailand@hikvision.com

Hikvision Europe
T +31-23-5542770
sales.eu@hikvision.com

Hikvision Italy
T +39-0438-6902
info.it@hikvision.com

Hikvision Brazil
T +55 11 3318-0050
Latam.support@hikvision.com

Hikvision Turkey
T +90 (216)521 7070- 7074
sales.tr@hikvision.com

Hikvision Malaysia
T +601-7652-2413
sales.my@hikvision.com

Hikvision UK & Ireland
T +01628-902140
sales.uk@hikvision.com

Hikvision South Africa
Tel: +27 (10) 0351172
sale.africa@hikvision.com

Hikvision France
T +33(0)1-85-330-450
info.fr@hikvision.com

Hikvision Kazakhstan
T +7-727-9730667
nikia.panfilov@hikvision.ru

Hikvision Vietnam
T +84-974270888
sales.vt@hikvision.com

Hikvision UAE
T +971-4-4432090
salesme@hikvision.com

Hikvision Singapore
T +65-6684-4718
sg@hikvision.com

Hikvision Spain
T +34-91-737-16-55
info.es@hikvision.com

Hikvision Tashkent
T +99-87-1238-9438
uzb@hikvision.ru

Hikvision Hong Kong
T +852-2151-1761
info.hk@hikvision.com

Hikvision Russia
T +7-495-669-67-99
saleru@hikvision.com

Hikvision Korea
T +82-(0)31-731-8817
sales.korea@hikvision.com

Hikvision Poland
T +48-22-460-01-50
info.pl@hikvision.com

Hikvision Indonesia
T +62-21-2933759
Sales.Indonesia@hikvision.com

Hikvision Colombia
sales.colombia@hikvision.com