

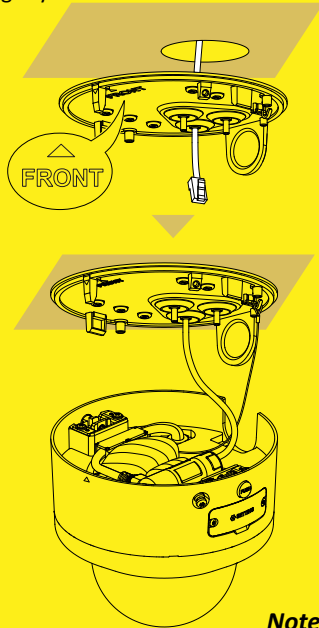
Installation Notes

1 Route the cable through the ceiling

Select a rubber ring that fits the network cable size. Refer to the figure on the back of the adapter plate for details.

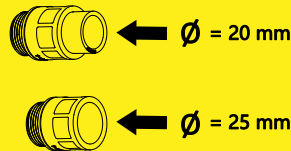
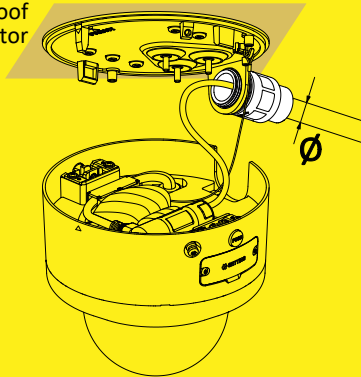
Route the network cable through the rubber ring, and waterproof the network cable with the jacket.

For other interfaces in use, wrap the waterproof tape (self-prepared) around the cable connector tightly.



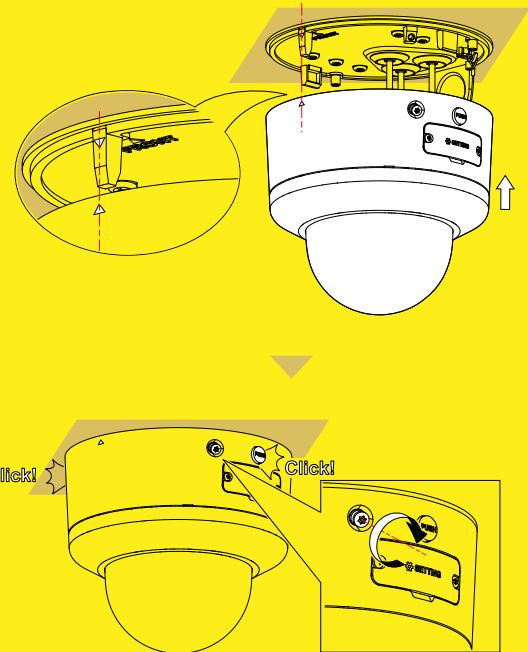
2 Route the cable through the side outlet

Select a conduit joint according to the actual size of the conduit.



3 Align the triangle mark on the device with that on the adapter plate.

Press the device onto the adapter plate, and when you hear "click", fix the device and the adapter plate with screws.



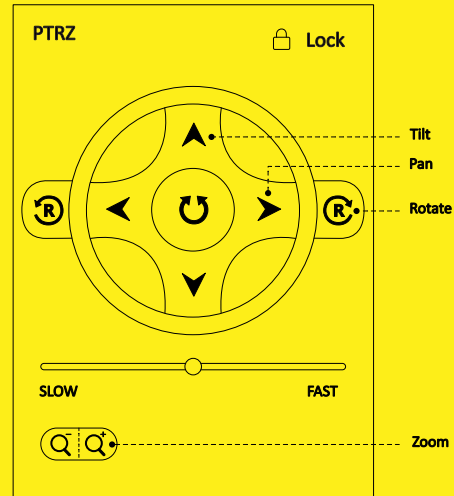
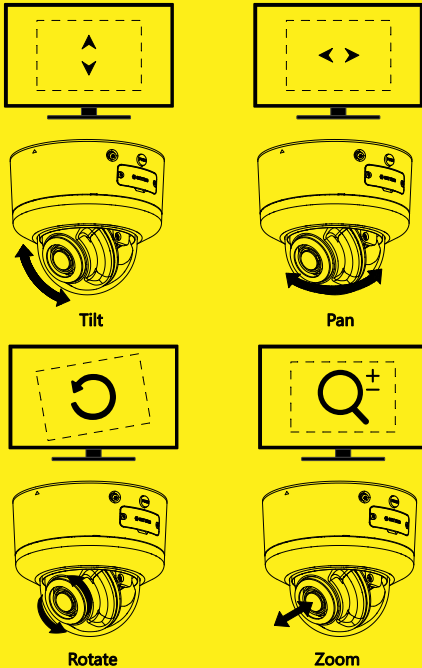
Note: Please keep the transparent cover clean. Dirt on it may cause light reflection.

Settings Notes

- 1** Remote angle adjustment: max. 1000 cycles.
Note: For the actual number of cycles, refer to the product datasheet.

- 3** Click "Lock" after you complete PTRZ settings.

- 2** The lens adjustment is shown below.



Note: The user interface may differ due to product updates.

Note: For the camera supporting Flashing Alarm, enabling the function may reduce the image quality.