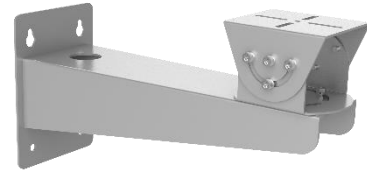


DS-1701ZJ-AC1(OS)

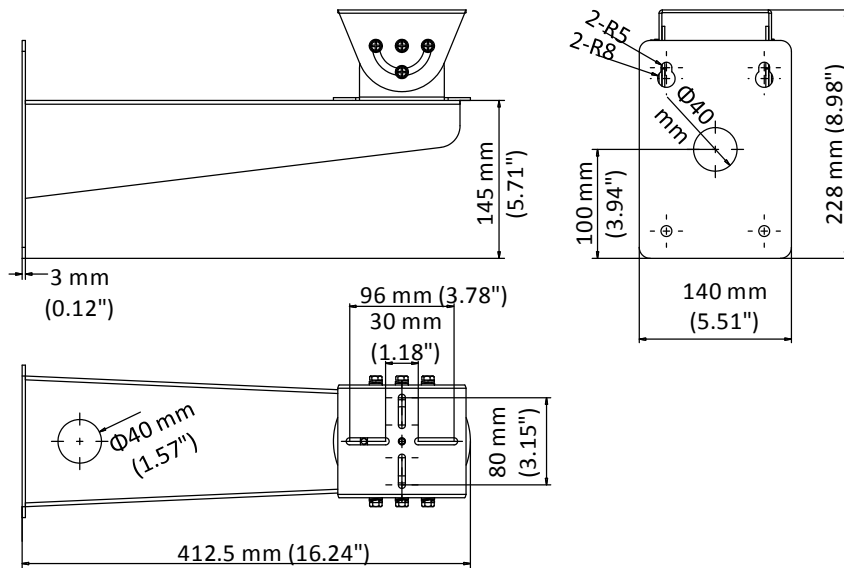
Wall Mount



Feature

- Stainless steel with anticorrosive coating, silver moon gray appearance
- Suitable for indoor and outdoor installation

Dimension



Available Model

DS-1701ZJ-AC1(OS)

Parameter

Model	DS-1701ZJ-AC1(OS)
Parameters	Wall Mount
Appearance	Silver moon gray
Application	Suitable for indoor and outdoor installation
Material	Stainless steel
Dimension	228 mm × 140 mm × 412.5 mm (8.98" × 5.51" × 16.24")
Weight	Approx. 3800 g (8.38 lb.)

Note

- The wall mount should be installed on a flat surface.
- Waterproof rubber is necessary for outdoor application.
- The wall should be capable of supporting at least 3 times the total weight of the camera and the wall mount.
- The maximum load capacity of the wall mount is 20 kg (44.09 lb.).