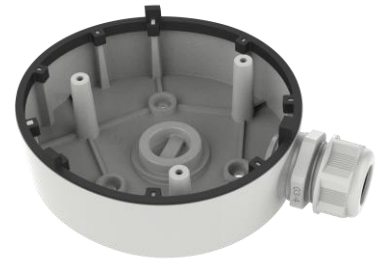


DS-1280ZJ-TR12

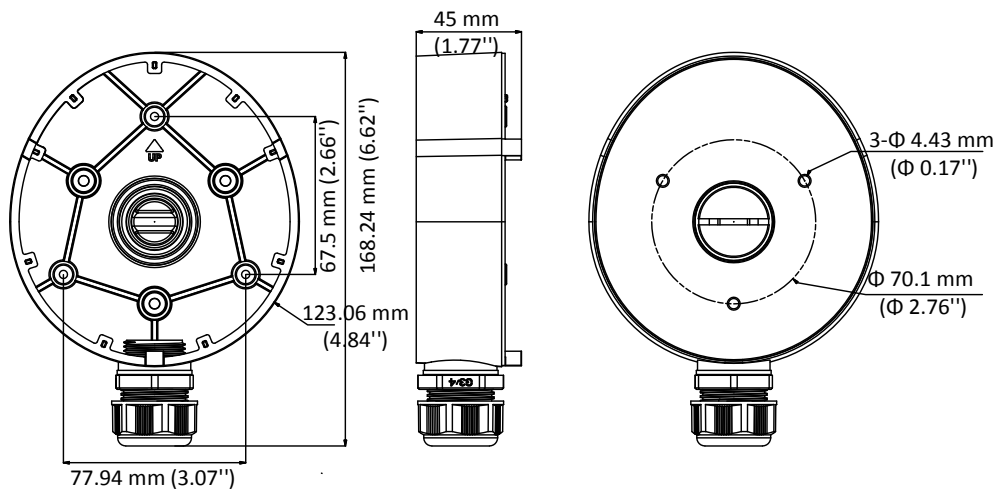
Wall Mount



Features

- Alloy with surface spray treatment
- Applied to both indoor conditions, and outdoor conditions
- With sealing ring(s)

Dimension



Available Model

DS-1280ZJ-TR12

Parameter

| | |
|------------|---|
| Model | DS-1280ZJ-TR12 |
| Parameters | Wall Mount |
| Appearance | Hikvision White |
| Material | Alloy |
| Dimension | 123.06 mm × 168.24 mm × 45 mm (4.84" × 6.62" × 1.77") |
| Weight | 215 g (0.47 lb.) |

Notes

- The mount should be installed on the flat surface.
- Waterproof rubber is necessary for the outdoor application.
- The wall should be capable of supporting at least 3 times as much as the total weight of the camera, and the mount.
- The maximum load capacity of the mount is 2.5 kg (5.51 lb.).