



Mobile Video Recorder

Quick Start Guide

Legal Information

©2022 Hangzhou Hikvision Digital Technology Co., Ltd. All rights reserved.

About this Manual

The Manual includes instructions for using and managing the Product. Pictures, charts, images and all other information hereinafter are for description and explanation only. The information contained in the Manual is subject to change, without notice, due to firmware updates or other reasons. Please find the latest version of this Manual at the Hikvision website (<https://www.hikvision.com/>).

Please use this Manual with the guidance and assistance of professionals trained in supporting the Product.

Trademarks

HIKVISION and other Hikvision's trademarks and logos are the properties of Hikvision in various jurisdictions.

Other trademarks and logos mentioned are the properties of their respective owners.

Disclaimer

TO THE MAXIMUM EXTENT PERMITTED BY APPLICABLE LAW, THIS MANUAL AND THE PRODUCT DESCRIBED, WITH ITS HARDWARE, SOFTWARE AND FIRMWARE, ARE PROVIDED "AS IS" AND "WITH ALL FAULTS AND ERRORS". HIKVISION MAKES NO WARRANTIES, EXPRESS OR IMPLIED, INCLUDING WITHOUT LIMITATION, MERCHANTABILITY, SATISFACTORY QUALITY, OR FITNESS FOR A PARTICULAR PURPOSE. THE USE OF THE PRODUCT BY YOU IS AT YOUR OWN RISK. IN NO EVENT WILL HIKVISION BE LIABLE TO YOU FOR ANY SPECIAL, CONSEQUENTIAL, INCIDENTAL, OR INDIRECT DAMAGES, INCLUDING, AMONG OTHERS, DAMAGES FOR LOSS OF BUSINESS PROFITS, BUSINESS INTERRUPTION, OR LOSS OF DATA, CORRUPTION OF SYSTEMS, OR LOSS OF DOCUMENTATION, WHETHER BASED ON BREACH OF CONTRACT, TORT (INCLUDING NEGLIGENCE), PRODUCT LIABILITY, OR OTHERWISE, IN CONNECTION WITH THE USE OF THE PRODUCT, EVEN IF HIKVISION HAS BEEN ADVISED OF THE POSSIBILITY OF SUCH DAMAGES OR LOSS.

YOU ACKNOWLEDGE THAT THE NATURE OF THE INTERNET PROVIDES FOR INHERENT SECURITY RISKS, AND HIKVISION SHALL NOT TAKE ANY RESPONSIBILITIES FOR ABNORMAL OPERATION, PRIVACY LEAKAGE OR OTHER DAMAGES RESULTING FROM CYBER-ATTACK, HACKER ATTACK, VIRUS INFECTION, OR OTHER INTERNET SECURITY RISKS; HOWEVER, HIKVISION WILL PROVIDE TIMELY TECHNICAL SUPPORT IF REQUIRED.

YOU AGREE TO USE THIS PRODUCT IN COMPLIANCE WITH ALL APPLICABLE LAWS, AND YOU ARE SOLELY RESPONSIBLE FOR ENSURING THAT YOUR USE CONFORMS TO THE APPLICABLE LAW. ESPECIALLY, YOU ARE RESPONSIBLE, FOR USING THIS PRODUCT IN A MANNER THAT DOES NOT INFRINGE ON THE RIGHTS OF THIRD PARTIES, INCLUDING WITHOUT LIMITATION, RIGHTS OF PUBLICITY, INTELLECTUAL PROPERTY RIGHTS, OR DATA PROTECTION AND OTHER PRIVACY RIGHTS. YOU SHALL NOT USE THIS PRODUCT FOR ANY PROHIBITED END-USES, INCLUDING THE DEVELOPMENT OR PRODUCTION OF WEAPONS OF MASS DESTRUCTION, THE DEVELOPMENT OR PRODUCTION OF CHEMICAL OR BIOLOGICAL WEAPONS, ANY ACTIVITIES IN THE CONTEXT RELATED TO ANY NUCLEAR EXPLOSIVE OR UNSAFE NUCLEAR FUEL-CYCLE, OR IN SUPPORT OF HUMAN RIGHTS ABUSES.

IN THE EVENT OF ANY CONFLICTS BETWEEN THIS MANUAL AND THE APPLICABLE LAW, THE LATTER PREVAILS.

Regulatory Information

FCC Information

Please take attention that changes or modification not expressly approved by the party responsible for compliance could void the user's authority to operate the equipment.

FCC Compliance


This equipment has been tested and found to comply with the limits for a Class A digital device, pursuant to part 15 of the FCC Rules. These limits are designed to provide reasonable protection against harmful interference when the equipment is operated in a commercial environment. This equipment generates, uses, and can radiate radio frequency energy and, if not installed and used in accordance with the instruction manual, may cause harmful interference to radio communications. Operation of this equipment in a residential area is likely to cause harmful interference in which case the user will be required to correct the interference at his own expense.


FCC Conditions


This device complies with part 15 of the FCC Rules. Operation is subject to the following two conditions:

1. This device may not cause harmful interference.
2. This device must accept any interference received, including interference that may cause undesired operation.

EU Conformity Statement

 This product and - if applicable - the supplied accessories too are marked with "CE" and comply therefore with the applicable harmonized European standards listed under the EMC Directive 2014/30/EU, the LVD Directive 2014/35/EU, the RoHS Directive 2011/65/EU, RE Directive 2014/53/EU.

 2012/19/EU (WEEE directive): Products marked with this symbol cannot be disposed of as unsorted municipal waste in the European Union. For proper recycling, return this product to your local supplier upon the purchase of equivalent new equipment, or dispose of it at designated collection points. For more information see: www.recyclethis.info

 2006/66/EC (battery directive): This product contains a battery that cannot be disposed of as unsorted municipal waste in the European Union. See the product documentation for specific battery information. The battery is marked with this symbol, which may include lettering to indicate cadmium (Cd), lead (Pb), or mercury (Hg). For proper recycling, return the battery to your supplier or to a designated collection point. For more information see: www.recyclethis.info

Industry Canada ICES-003 Compliance

This device meets the CAN ICES-3 (A)/NMB-3(A) standards requirements.

Symbol Conventions

The symbols that may be found in this document are defined as follows.




| Symbol | Description |
|--|---|
|  Note | Provides additional information to emphasize or supplement important points of the main text. |
|  Caution | Indicates a potentially hazardous situation, which if not avoided, could result in equipment damage, data loss, performance degradation, or unexpected results. |
|  Danger | Indicates a hazard with a high level of risk, which if not avoided, will result in death or serious injury. |

TABLE OF CONTENTS

| | |
|---|-----------|
| Chapter 1 Panel Introduction | 1 |
| 1.1 Front Panel | 1 |
| 1.2 Rear Panel | 2 |
| Chapter 2 Installation and Connections | 4 |
| 2.1 Environment | 4 |
| 2.2 Install HDD..... | 4 |
| 2.3 Install SIM Card..... | 8 |
| 2.4 Install SD Card..... | 9 |
| 2.5 Install Antenna..... | 10 |
| Chapter 3 Device Wiring | 12 |
| 3.1 Power Cord Wiring..... | 12 |
| 3.1.1 Shutdown Delay | 12 |
| 3.1.2 Scheduled Shutdown..... | 13 |
| 3.2 Alarm Input/Output Connection..... | 14 |
| 3.2.1 Alarm Input Connection..... | 14 |
| 3.2.2 Alarm Output Connection..... | 14 |
| 3.3 Sensor-in Wiring | 15 |
| 3.4 Power-on..... | 15 |

Chapter 1 Panel Introduction

1.1 Front Panel

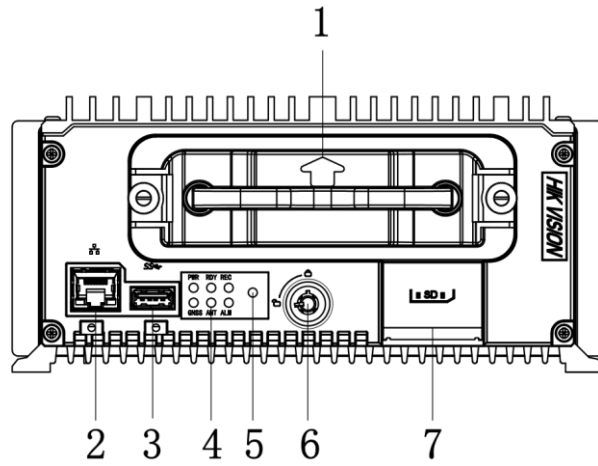


Figure 1-1 Front Panel

Table 1-1 Interface Description

| No. | Name | Description |
|-----|-------------------|---|
| 1 | Dummy HDD | Two HDDs can be installed. |
| 2 | Network interface | 10M/100M/1000M RJ45 Ethernet interface. |
| 3 | USB 3.0 | USB 3.0 interface. |
| 4 | PWR indicator | <ul style="list-style-type: none"> ● Solid green: Device is powered on. ● Solid red: Device is standby. |
| | RDY indicator | <ul style="list-style-type: none"> ● Solid green: Device starts up normally. |
| | REC indicator | <ul style="list-style-type: none"> ● Recording indicator. ● Solid green: Device is recording normally. |
| | GNSS indicator | <ul style="list-style-type: none"> ● Unlit: Positioning module is abnormal. ● Solid green: Device is positioning. ● Flashing green: Positioning succeeded. |
| | ANT indicator | <ul style="list-style-type: none"> ● Unlit: Dialing module is abnormal. ● Solid green: Device is dialing. ● Flashing green: Dialing up succeeded. |
| | ALM indicator | Red: Alarm occurs. |

| | | |
|---|----------------|---------------------------------|
| 5 | IR receiver | IR receiver for remote control. |
| 6 | Dummy HDD lock | Lock/unlock the dummy HDD. |
| 7 | SD card slot | Slot for SD card. |

1.2 Rear Panel

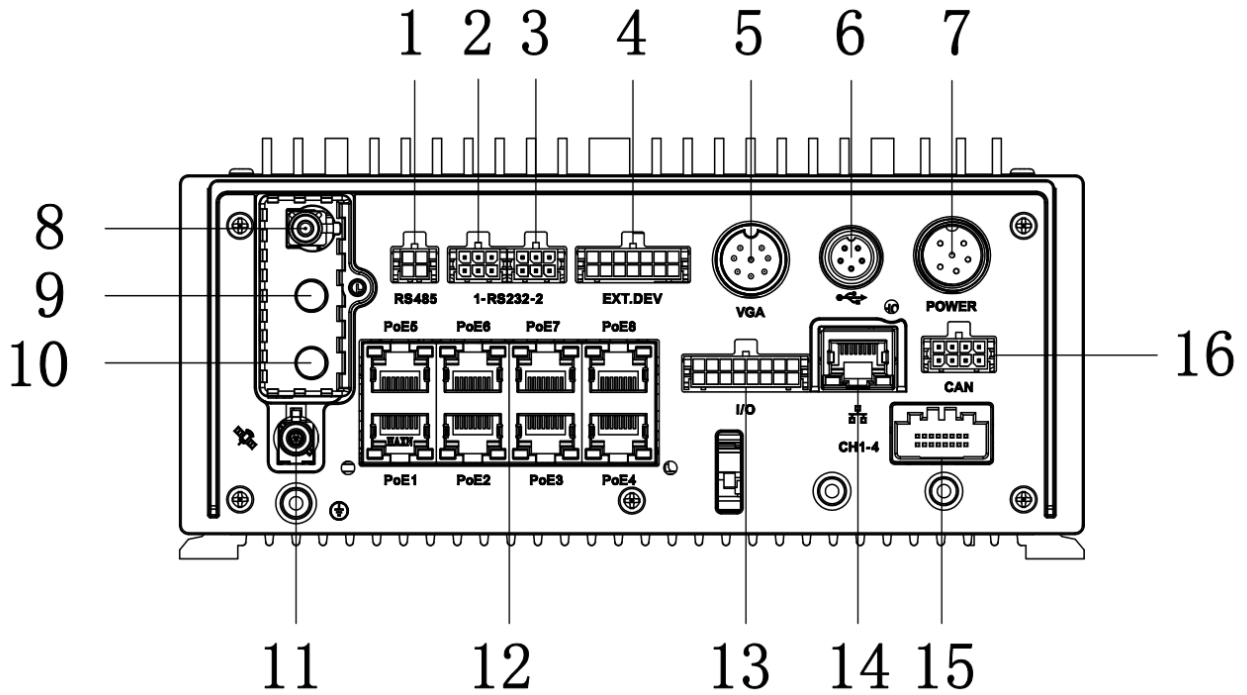


Figure 1-2 Rear Panel

Table 1-2 Interface Description

| No. | Name | Description |
|-----|------------------|--|
| 1 | RS-485 interface | RS-485 interface for connecting devices like speed dome. |
| 2 | RS-232 interface | RS232-1 is for debugging. |
| 3 | RS-232 interface | RS232-2 is for connecting external devices. |
| 4 | EXT.DEV | RS-485 communication interface, two-way audio interface, and CVBS video output |
| 5 | VGA | VGA video output interface |
| 6 | USB interface | USB interface of 5-pin aviation plug. |

| | | |
|----|-----------------------|---|
| 7 | Power | 6-pin aviation plug for power supply. |
| 8 | Antenna interface | Main 4G/5G antenna interface. |
| 9 | AUX | Aux Wi-Fi antenna interface. |
| 10 | Antenna interface | Main Wi-Fi antenna interface. |
| 11 | CAN | VGA video output interface. |
| 12 | GNSS | GNSS antenna interface |
| 13 | PoE interface | 8 × PoE interface |
| 14 | Audio and video cable | 1-4 way audio and video cable |
| 15 | I/O | I/O interface: 4-ch alarm inputs, 4-ch sensor in; 1-ch pulse signal input |
| 16 | Network interface | 1 × 10M/100M RJ45 Ethernet interface |

Chapter 2 Installation and Connections

2.1 Environment

To ensure the device can ventilate well, find a position with enough space. Recommended installation space is shown in Figure 2-1.

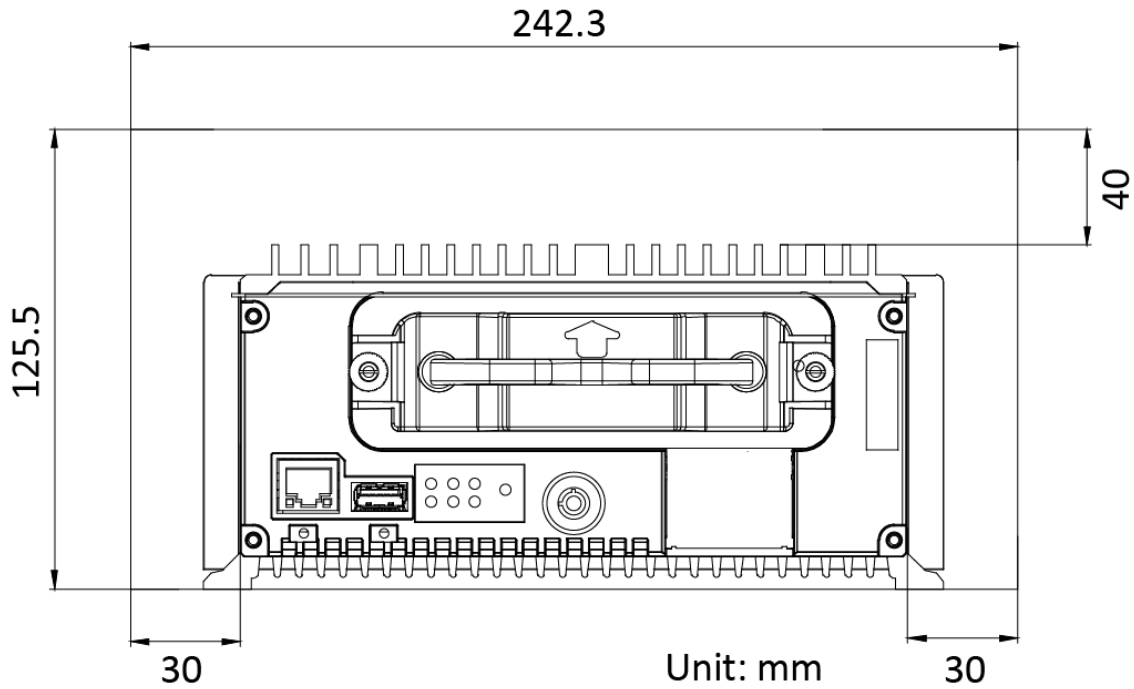


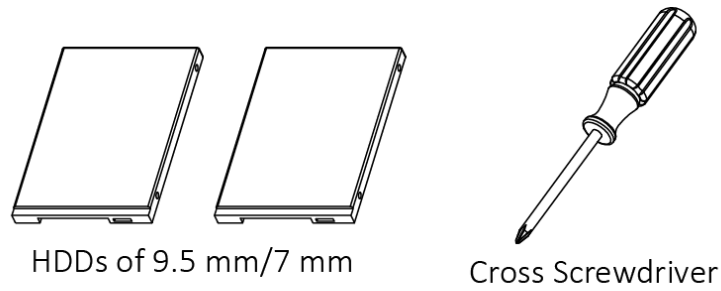
Figure 2-1 Recommended Installation Space

2.2 Install HDD

Before You Start:

Prepare the tools and components for installation:

- Factory recommended 2.5-inch HDD.
- Antistatic gloves.
- Key to dummy HDD (delivered with device).
- Cross screwdriver.
- Screws (delivered with device).



HDDs of 9.5 mm/7 mm

Cross Screwdriver



Key to Dummy HDD



Screws with Pad



Sunk Screws

Figure 2-2 Tools

Purpose:

Perform the following steps to install the HDD on the device. Figures in following steps are only for reference.

Step 1 Wear antistatic gloves.

Step 2 Insert the key and turn counterclockwise to unlock dummy HDD.

Step 3 Unfasten the two screws of dummy HDD and pull dummy HDD out of device.

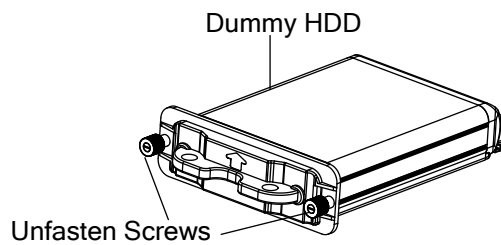


Figure 2-3 Pull Dummy HDD out

Step 4 Use cross screwdriver to loosen the two screws and remove them, and then take the dummy HDD apart.

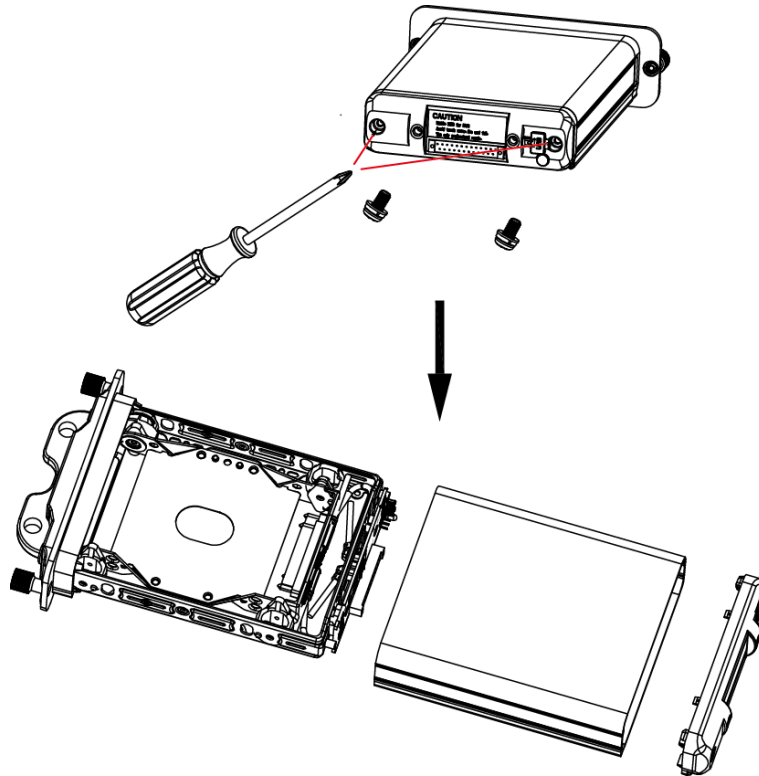


Figure 2-4 Take Apart Dummy HDD

Step 5 Place the first HDD into the dummy HDD, with the PCB facing down.

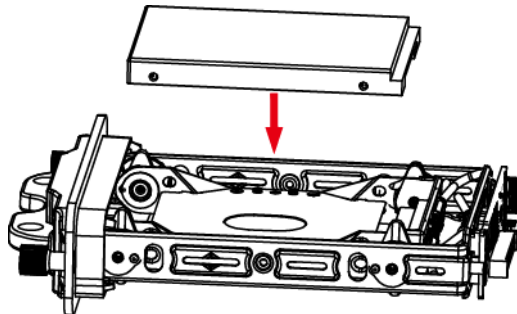


Figure 2-5 Place HDD

Step 6 Push the HDD along the direction shown in Figure 2-6 to connect HDD with socket of dummy HDD.

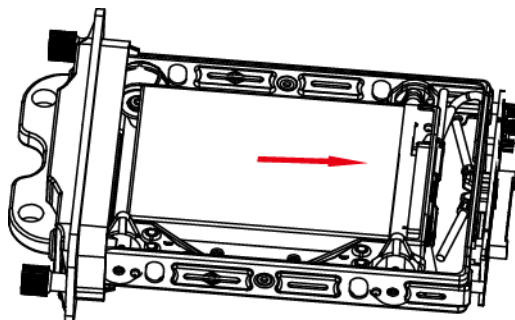


Figure 2-6 Push HDD

Step 7 Use four sunk screws to fix HDD with dummy HDD.

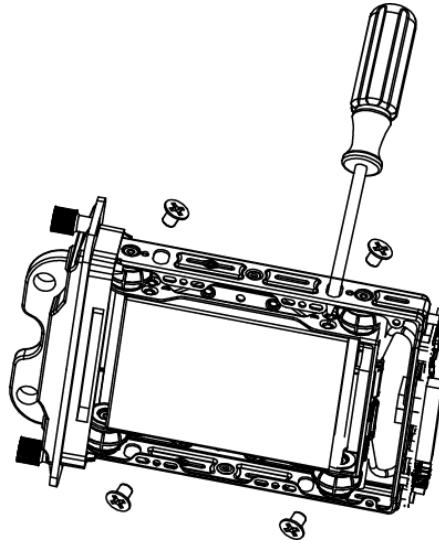


Figure 2-7 Fix HDD

Step 8 Repeat step 4 to 6 to install the secondary HDD in the other socket of dummy HDD.

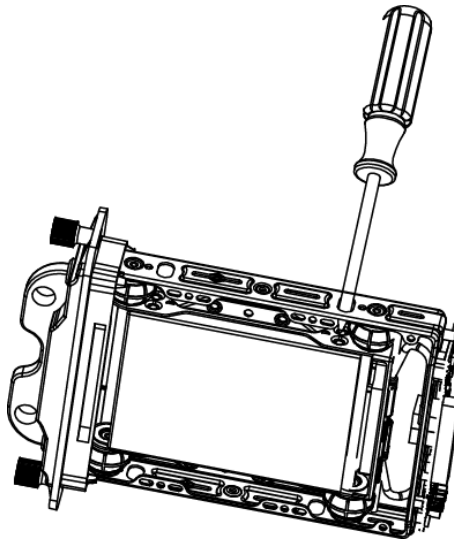


Figure 2-8 Install the Other HDD

Step 9 Reassemble the dummy HDD.

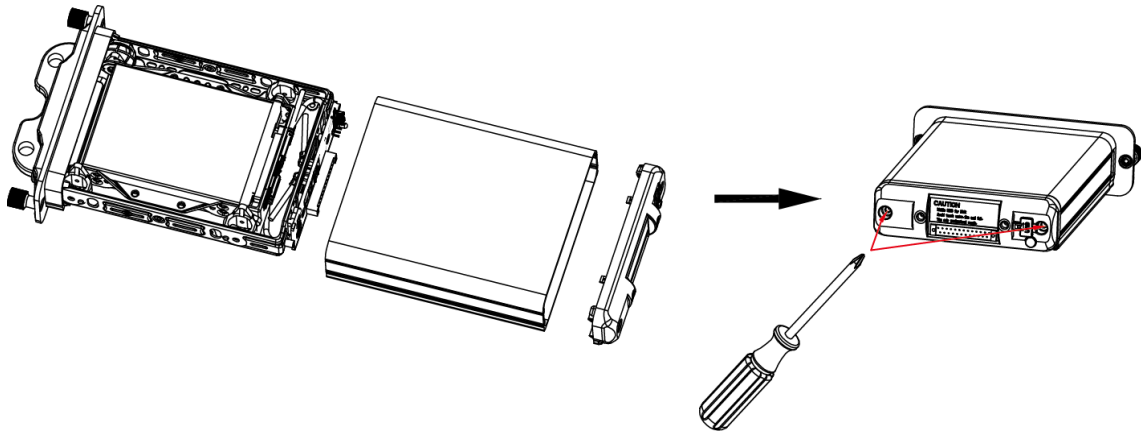


Figure 2-9 Reassemble Dummy HDD

Step 10 Plug the dummy HDD back to the device and then tighten the screws clockwise.

Step 11 Turn the key clockwise to lock dummy HDD.

2.3 Install SIM Card

Purpose:

Pluggable 4G/5G wireless communication module is designed for the device and you should install the SIM card to realize the wireless communication function.

Before You Start

Prepare the tools and components for installation:

- SIM card



SIM Card

Figure 2-10 SIM Card

- Wrench

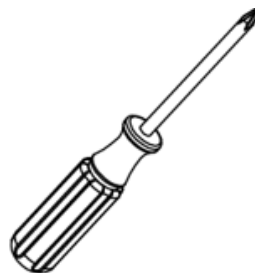


Figure 2-11 Phillips Screwdriver

Step 1 Wear antistatic gloves.

Step 2 Use wrench to unfasten and remove the two screws fixing the 4G/5G and Wi-Fi module.

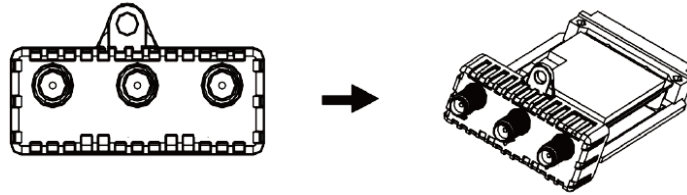


Figure 2-12 Unfasten Screws

Step 3 Pull out the 4G/5G and Wi-Fi module.

Step 4 Press the yellow button on the 4G/5G slot and then pull the SIM card tray out.

Step 5 Place the SIM card on SIM card tray with the metal side facing upwards.

Step 6 Insert the SIM card tray back to SIM card slot.

Step 7 Install the 4G/5G module back to the device and tighten the set screw.

2.4 Install SD Card

Before You Start

Prepare the tools and components for installation:

- Key to dummy HDD (delivered with device)
- SD card



Figure 2-13 Tools

Step 1 Wear antistatic gloves.

Step 2 Insert the key and turn counterclockwise to unlock dummy HDD.

Step 3 Unfasten the two screws of dummy HDD and pull dummy HDD out of device.

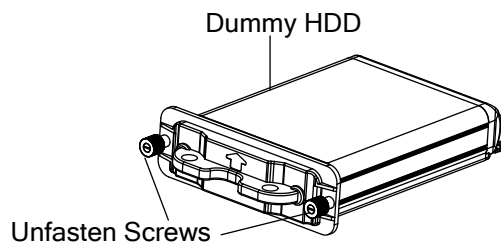


Figure 2-14 Unfasten Screws

Step 4 Open the cover of SD card slot.

Step 5 Insert SD card into SD card slot with gold contacts facing down till you hear a click.

Step 6 Plug the dummy HDD back to the device, close the cover of SD card slot, and then tighten the screws clockwise.

Step 7 Turn the key clockwise to lock dummy HDD.




2.5 Install Antenna

Note

This section is only applicable to the device supporting 4G/5G and Wi-Fi.

Step 1 Connect antennas to corresponding antenna interfaces.

Table 2-1 Antenna Interface

| Interface | Corresponding Antenna |
|---|-----------------------|
| M-ANT/  | Main 4G/5G antenna |
| AUX | Aux Wi-Fi antenna |
| WIFI/  | Main Wi-Fi antenna |
| GNSS/  | Positioning antenna |

Step 2 Place antenna vertically with its signal receiving end facing upward.

Step 3 If the cable is too long, you can roll them up to prevent signal receiving from being affected.

Step 4 Install 4G/5G antenna in car windshield, seat backrest, or other non-metallic objects. Keep away from metal objects for at least 50 cm.

Step 5 Vertically install positioning antenna on the automobile roof with no shelter.

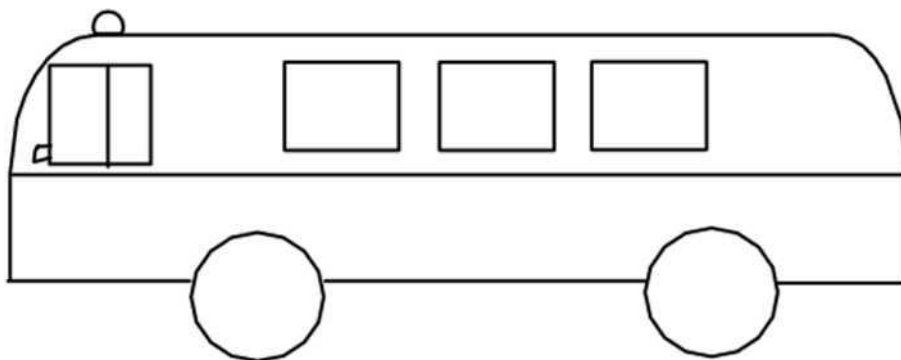


Figure 2-16 Install Positioning Antenna on Automobile Roof

Step 6 Follow the instructions below in case that you need to install positioning antenna inside your automobile.

- 1) Install antenna on platform under the front windshield.

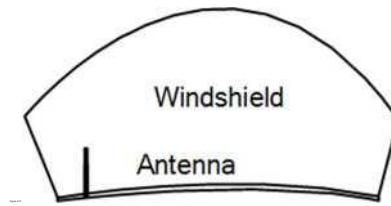


Figure 2-18 Install Positioning Antenna Inside Automobile

- 2) Fix antenna with neutral silica gel.
- 3) When adjusting the antenna position, ensure that at least 4 satellites have a signal strength above 35 dB. You can go to **Configuration > Vehicle > Position Settings > Location Status** to view positioning signal status.

Chapter 3 Device Wiring

3.1 Power Cord Wiring

Note

In order to ensure the safety of your automobile and device, a fuse is required for wiring of automobile power and device power.

Do not connect the power cord to the device before all the cables are connected.

3.1.1 Shutdown Delay

Purpose:

The device starts up when your automobile ignites and shuts down after automobile is off. Automobile ignition startup and shutdown are realized by automobile positive pole ignition switch (providing high level signal when the switch closes). The wire connection of the device varies with the automobile ignition models.

Note

Ignition switch is connected to the positive pole of +12/24 VDC of automobile batteries. Make sure that the connection is correct, and then perform the following steps:

- Step 1 Connect the **DC IN +** of the device to the positive pole of automobile batteries, jumping over the switch of normal automobile power.
- Step 2 Connect the **DC IN -** of the device to the negative pole of automobile batteries.
- Step 3 Connect the **ACC** of the device to the automobile ignition switch.
- Step 4 Place the fuse into the fuse holder.

What to do next: For detailed time settings of time-delay shutdown, see the Chapter “Configure Delayed Shutdown” in user manual.

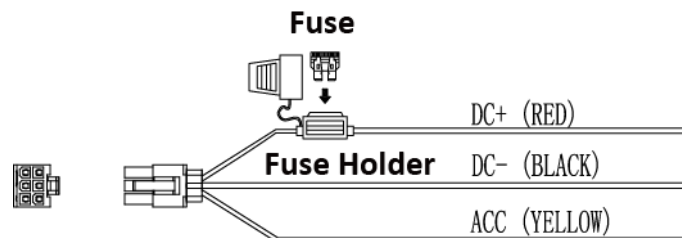
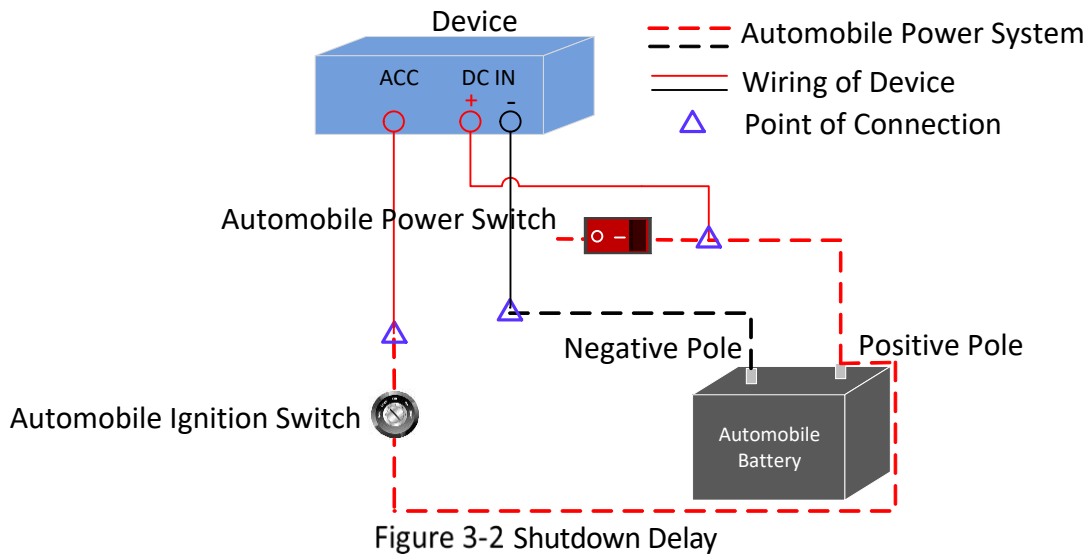


Figure 3-1 Install Fuse for Two Types of Power Supply



Note

- Please contact the automobile manufacturer for the connection information of ignition switch.
- The automobile ignition switch, also called car key, controls the startup and shutdown of your automobile. Most of automobiles adopt positive pole ignition switch currently.
- The normal automobile power refers to the main power of the automobile power supply system. After the automobile is off, the normal automobile power still provides direct-current source for the other devices inside and generally a main switch is used to turn on/off it.

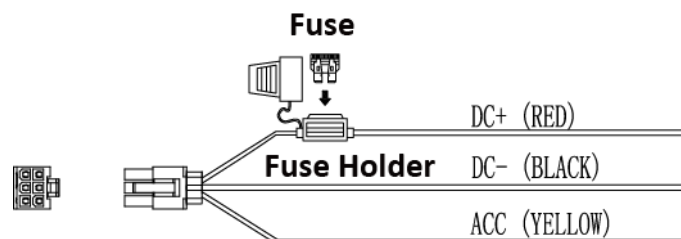
3.1.2 Scheduled Shutdown

Step 1 Connect the **DC IN +** and **KEY +** of the device to the positive pole of automobile batteries.

Step 2 Connect the **DC IN -** and **KEY -** of the device to the negative pole of automobile batteries.

Step 3 Place the fuse into the fuse holder.

What to do next: For detailed time settings of time-delay shutdown, see the Chapter “Enable Scheduled Startup/Shutdown” in user manual.



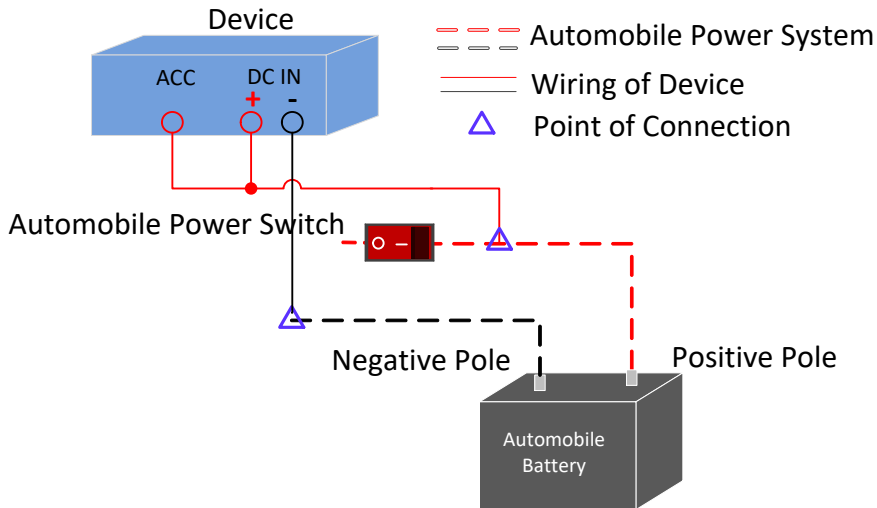


Figure 3-4 Scheduled Shutdown

3.2 Alarm Input/Output Connection

3.2.1 Alarm Input Connection

The device adopts the high/low-level electrical signals triggering (high level: 6 to 36 VDC; low level: 0 to 5 VDC) to realize alarm input. And in order to avoid error report caused by voltage fluctuation, no alarm will be triggered by voltage ranging of 5 to 6 VDC.

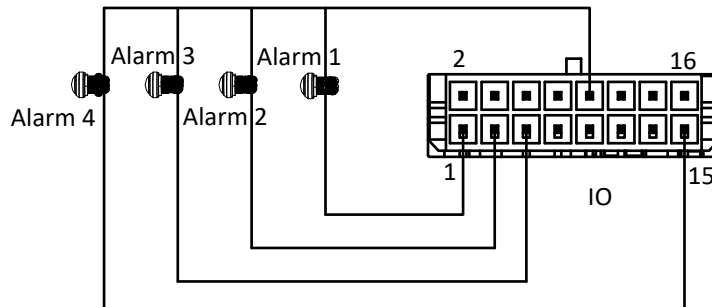


Figure 3-5 Alarm Input Connection

3.2.2 Alarm Output Connection

Follow the figure bellow to wire alarm output.

n and n# are a pair of alarm output. You can connect them with a relay alarm device. When the voltage of connected alarm device exceeds the valid alarm output range, you need to connect a relay to protect alarm output.

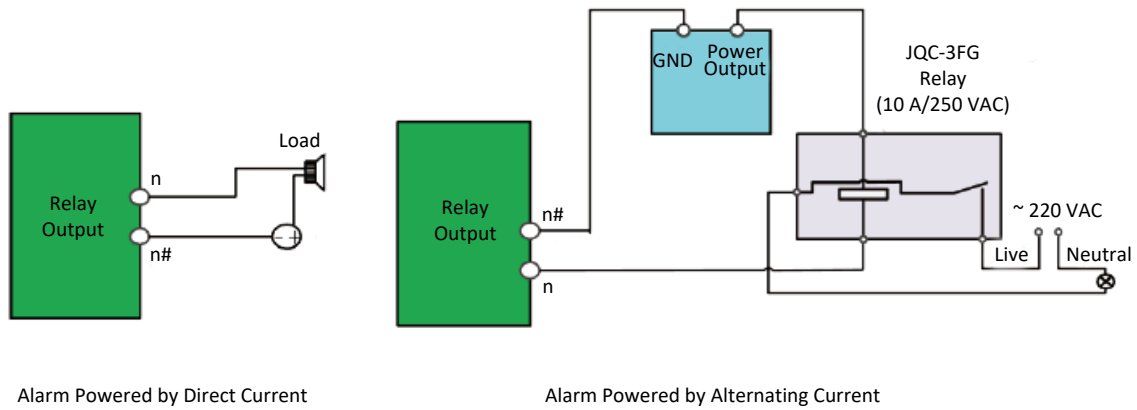


Figure 3-6 Alarm Output Connection

3.3 Sensor-in Wiring

Step 1 Connect the delivered extension cable to I/O interface.

Step 2 Connect the automobile braking, reversing, left-turn, and right-turn signals to sensor-in interface.

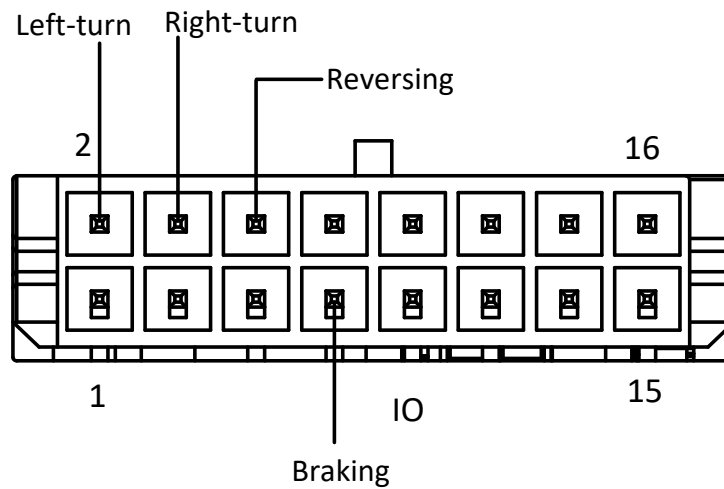


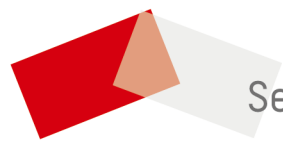
Figure 3-7 Sensor-in Wiring

3.4 Power-on

Note

The indicator types vary with different models. Here the most comprehensive indicators are introduced.

Connect the device to power supply after all the installations above are finished. You can view the indicators to get knowledge of the device status. For details, see descriptions in Table 1-1



See Far, Go Further