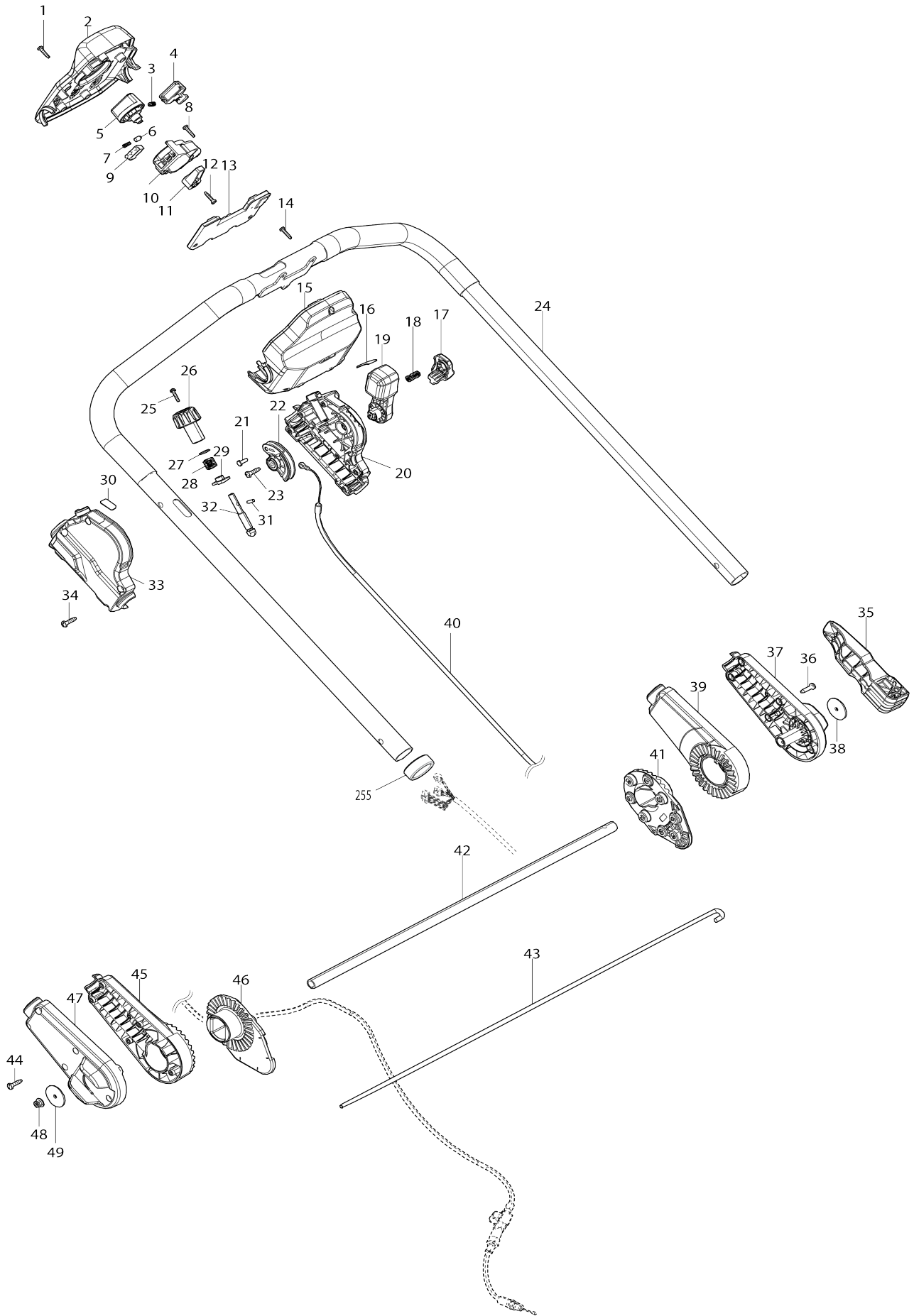
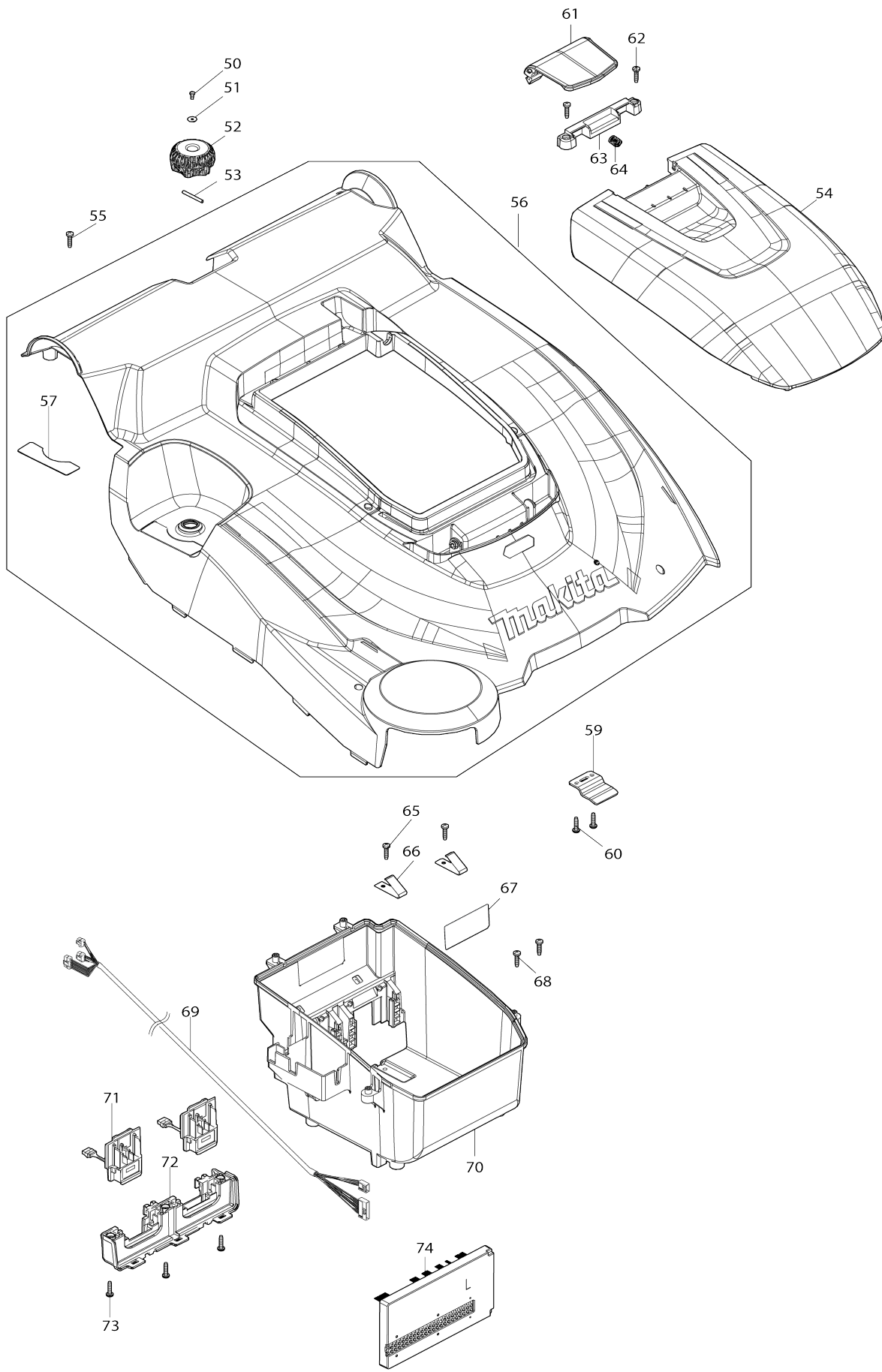


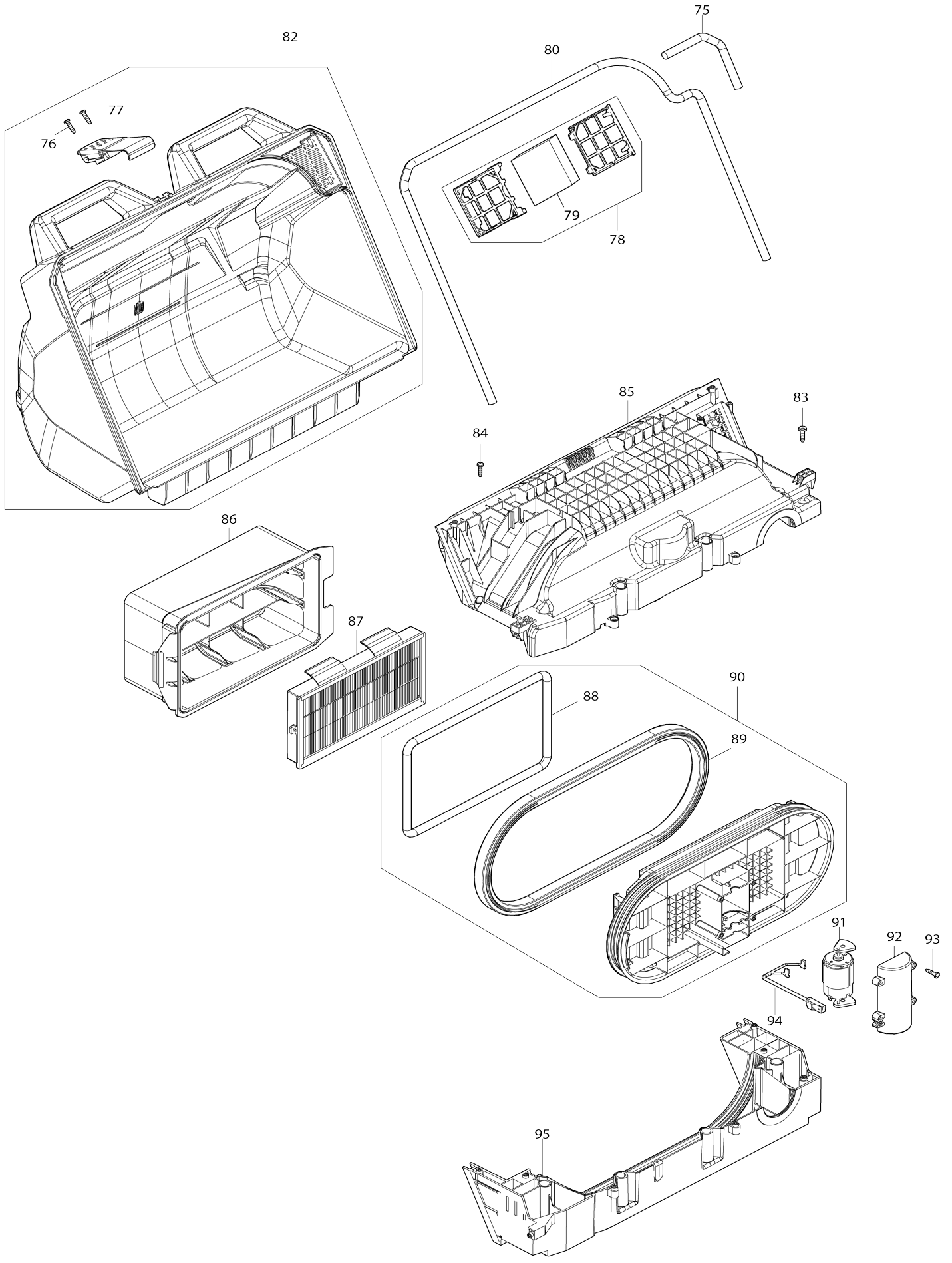
Model No.VS001G CORDLESS VACUUM SWEEPER



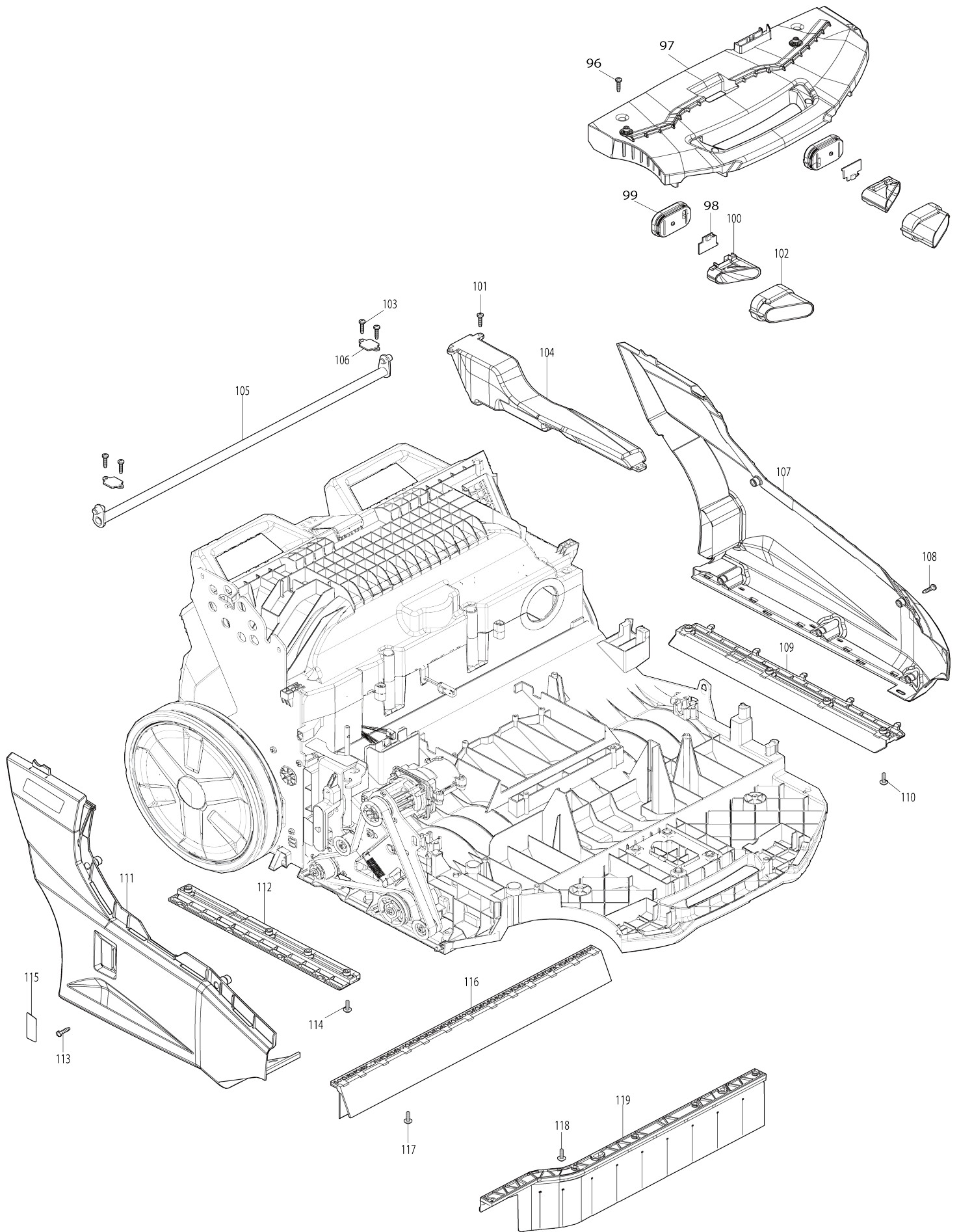
Model No.VS001G CORDLESS VACUUM SWEEPER



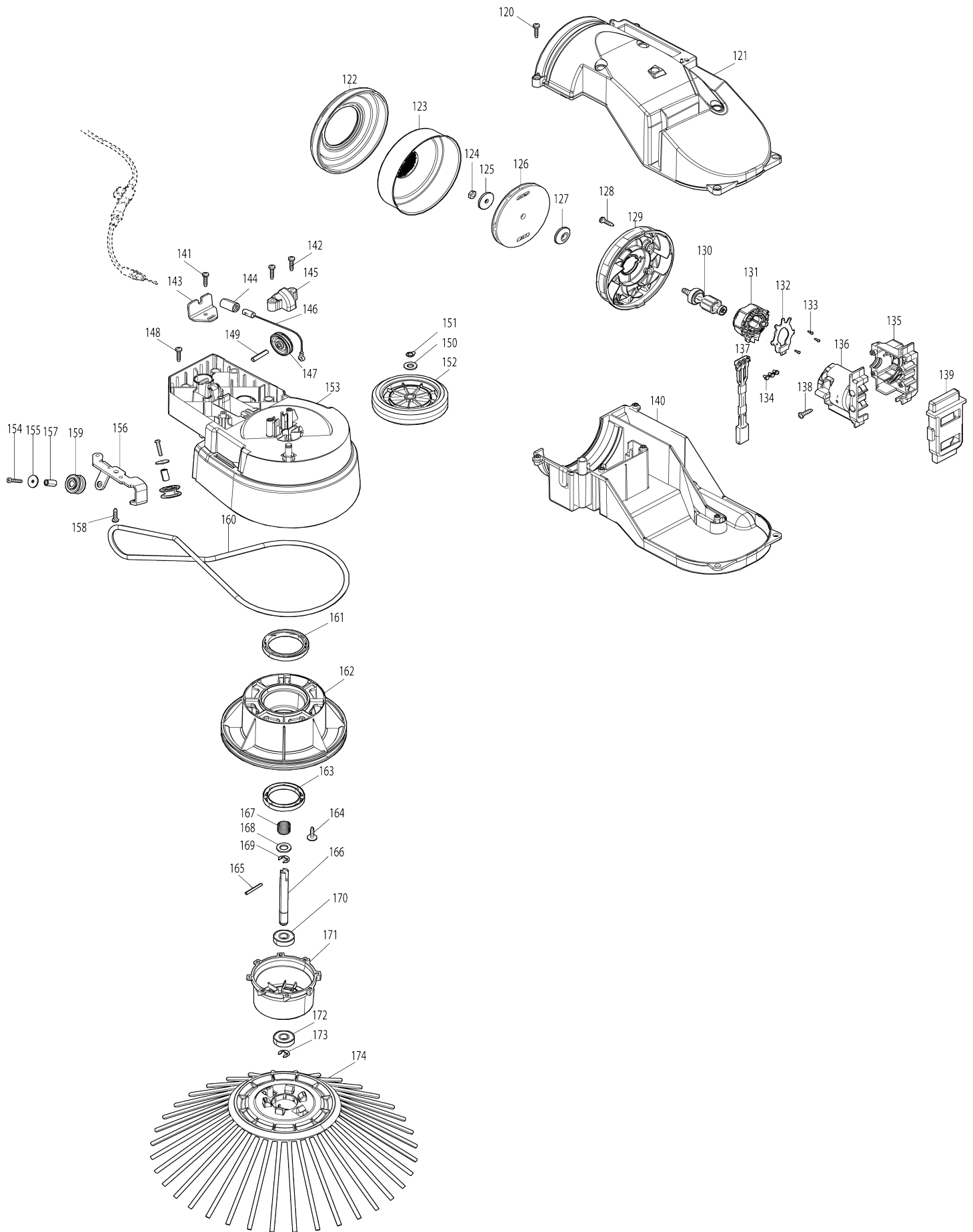
Model No.VS001G CORDLESS VACUUM SWEEPER



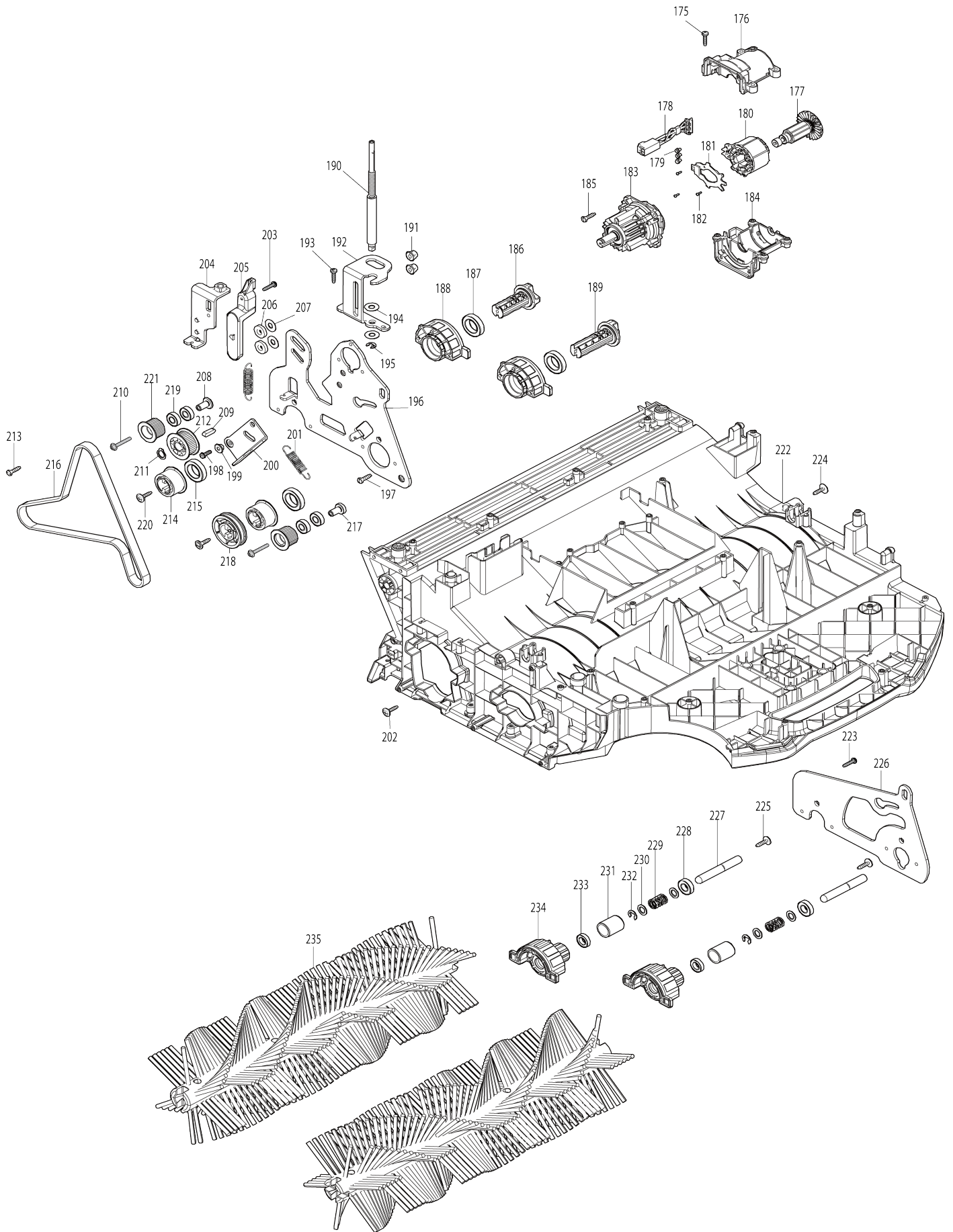
Model No.VS001G CORDLESS VACUUM SWEEPER



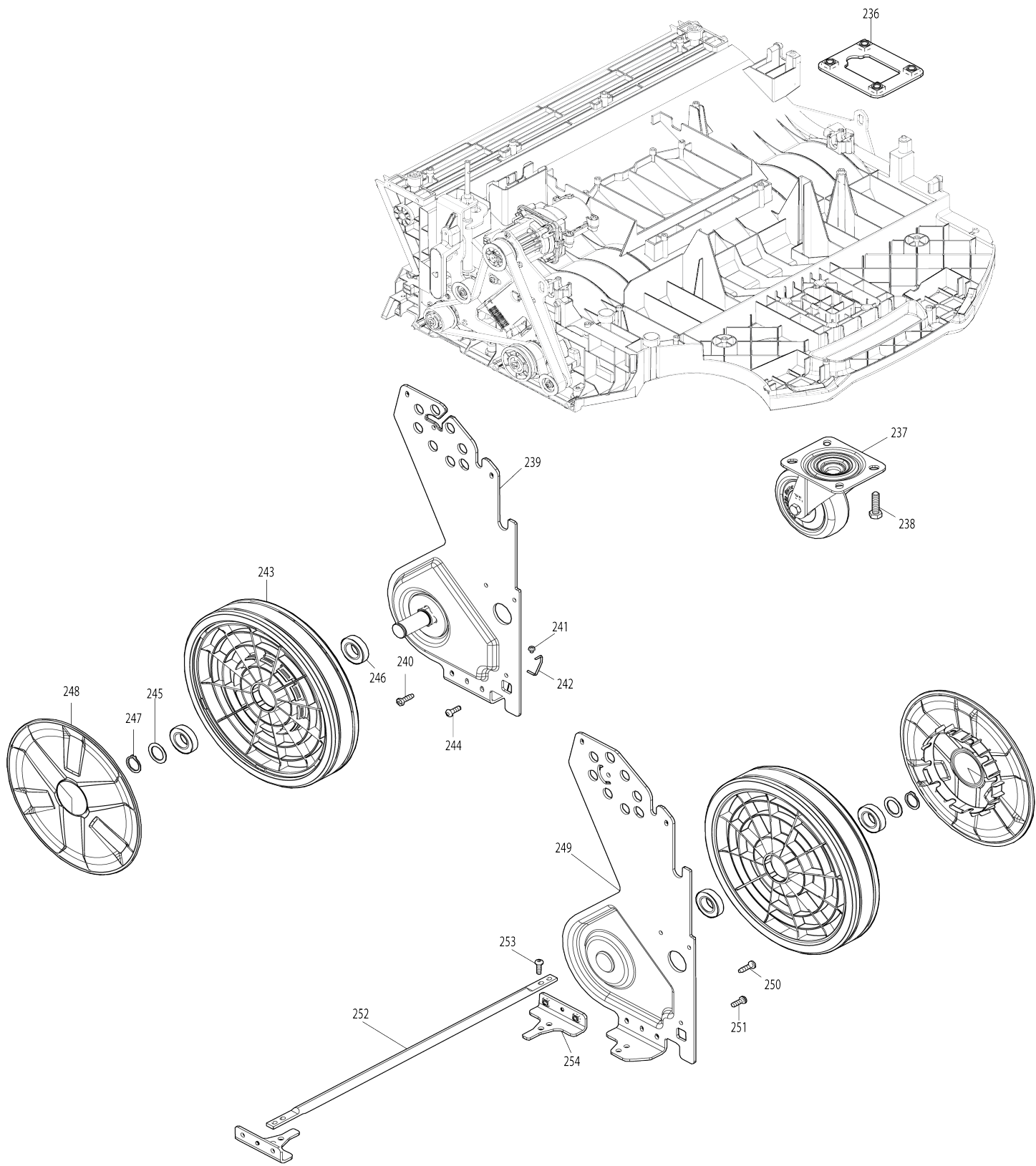
Model No.VS001G CORDLESS VACUUM SWEEPER



Model No.VS001G CORDLESS VACUUM SWEEPER



Model No.VS001G CORDLESS VACUUM SWEEPER



Model No.VS001G CORDLESS VACUUM SWEEPER

Obj. č.	Obj. č.	Popis	Možnost záměny	Množství	Nový/Starý	Poznámka 1	Poznámka 2
001	266429-2	TAPPING SCREW 3X16		5			
002	1830P2-4	SWITCH CASE SET		1			
D10		INC. 15					
003	232386-6	COMPRESSION SPRING 4		1			
004	413U45-9	LOCK OFF BUTTON		1			
005	413U44-1	SWITCH DIAL		1			
006	347B85-0	PLUNGER CAP		1			
007	233188-3	vinutá pružina 2.4		1			
008	266429-2	TAPPING SCREW 3X16		2			
009	632V26-2	SWITCH UNIT		1			
010	413U43-3	SWITCH LEVER CASE		1			
011	413U46-7	SWITCH LEVER		1			
012	266429-2	TAPPING SCREW 3X16		1			
013	620J57-1	SWTCH CIRCUIT		1			
014	266429-2	TAPPING SCREW 3X16		3			
015	1830P2-4	SWITCH CASE SET		1			
D10		INC. 2					
016	8074D9-3	OPERATIONAL INDICATION LABEL		1			
017	413U51-4	BUTTON		1			
018	234013-1	COMPRESSION SPRING 5		1			
019	413U50-6	SIDE BRUSH LEVER		1			
020	1830T9-8	LEVER CASE SET		1			
D10		INC. 16,30,33					
021	256A47-0	FLAT FILLISTER HEAD PIN 4		1			
022	413U49-1	CABLE GUIDE		1			
023	265995-6	šroub 4x18 = old 265941-9		1			
024	327C57-7	HANDLE		1			
025	911028-2	pan head screw M3x16		1			
026	413U48-3	THUMB SCREW DIAL		1			
027	941151-9	podložka 6 = old 253047-5		1			
028	232840-0	COMPRESSION SPRING 11		1			
029	252335-7	WELD NUT M8 TYPE T		1			
030	8074E1-6	OPERATIONAL INDICATION LABEL		1			
031	256255-7	PIN 3		1			
032	327C58-5	DIAL SHAFT M8		1			
033	1830T9-8	LEVER CASE SET		1			
D10		INC. 16,20,30					
034	265995-6	šroub 4x18 = old 265941-9		5			
035	122F51-0	HANDLE LEVER ASSEMBLY		1			
036	265995-6	šroub 4x18 = old 265941-9		5			
037	1830G6-3	HANDLE CAM SET		1			
D10		INC. 39					
038	267136-0	podložka 5		1			
039	1830G6-3	HANDLE CAM SET		1			
D10		INC. 37					
040	162C92-6	LINK CABLE B		1			
041	413U40-9	HANDLE CAM B		1			

042	327C59-3	HANDLE PIPE		1		
043	327C60-8	HANDLE LEVER LINK M5		1		
044	265995-6	šroub 4x18 = old 265941-9		5		
045	1830G6-3	HANDLE CAM SET		1		
D10		INC. 47				
046	413U40-9	HANDLE CAM B		1		
047	1830G6-3	HANDLE CAM SET		1		
D10		INC. 45				
048	252286-4	COLLARED HEX.LOCK NUT M5-8		1		
049	267136-0	podložka 5		1		
050	911007-0	924309		1		
051	253821-1	podložka 3 6791DW		1		
052	413U60-3	MAIN BRUSH DIAL		1		
053	268182-6	PIN 3		1		
054	413U57-2	BATTERY COVER		1		
055	265995-6	šroub 4x18 = old 265941-9		7		
056	137135-5	TOP COVER ASSEMBLY		1		
C10	422756-9	SPONGE SEAL		1		
D10		INC. 57				
057	8074E3-2	OPERATIONAL INDICATION LABEL		1		
059	347B86-8	TOP COVER PLATE		1		
060	265995-6	šroub 4x18 = old 265941-9		2		
061	413U58-0	LATCH		1		
062	265995-6	šroub 4x18 = old 265941-9		2		
063	413U59-8	BATTERY HOOK BASE		1		
064	234391-9	COMPRESSION SPRING 8		1		
065	265995-6	šroub 4x18 = old 265941-9		2		
066	232818-3	LEAF SPRING		2		
067	8143U6-5	VS001G NAME PLATE		1		
068	265995-6	šroub 4x18 = old 265941-9		2		
069	699233-8	POWER SUPPLY CORD UNIT		1		
070	1830F8-2	BATTERY HOLDER SET		1		
C10	263005-3	vymezovací čep 6		4		
D10		INC. 72				
071	632R99-1	TERMINAL UNIT		2		
072	1830F8-2	BATTERY HOLDER SET		1		
C10	263005-3	vymezovací čep 6		4		
D10		INC. 70				
073	265995-6	šroub 4x18 = old 265941-9		3		
074	620J56-3	CONTROLLER		1		
075	422A72-5	SEAL B		1		
076	265995-6	šroub 4x18 = old 265941-9		2		
077	162C93-4	HOOK		1		
078	137060-0	SPONGE CASE ASSEMBLY		1		
D10		INC. 79				
079	422B41-2	SPONGE SHEET		1		
080	422A71-7	SEAL A		1		
082	137059-5	DUST CONTAINER ASSEMBLY		1		
D10		INC. 76,77				
083	266021-4	šroub Pt 5x20		4		
084	265995-6	šroub 4x18 = old 265941-9		7		

085	413U13-2	DUCT UPPER		1		
086	162C89-5	PRE FILTER		1		
087	162699-0	MAIN FILTER H		1		
088	422A68-6	SEAL RING B		1		
089	422A69-4	SEAL RING A		1		
090	137057-9	FILTER HOLDER ASSMBLY		1		
D10		INC. 88,89				
091	141S69-0	MOTOR COMPLETE		1		
092	413U12-4	MOTOR COVER		1		
093	265995-6	šroub 4x18 = old 265941-9		4		
094	638A81-6	LEAD UNIT		1		
095	141S67-4	DUCT LOWER COMPLETE		1		
096	265995-6	šroub 4x18 = old 265941-9		5		
097	413U04-3	HANDLE COVER		1		
098	620J60-2	LED CIRCUIT		1		
099	422A66-0	RUBBER CAP		2		
100	413U05-1	REFLECTOR		2		
101	265995-6	šroub 4x18 = old 265941-9		4		
102	413U06-9	LENS		2		
103	265995-6	šroub 4x18 = old 265941-9		4		
104	162C91-8	TUBE COMPLETE		1		
105	327C55-1	BRUSH PLATE LINK		1		
106	346525-3	PLATE		2		
107	1830T8-0	SIDE COVER SET		1		
D10		INC. 111,115				
108	265995-6	šroub 4x18 = old 265941-9		5		
109	413U02-7	SIDE LIP L		1		
110	911129-6	PAN HEAD SCREW M4X16		4		
111	1830T8-0	SIDE COVER SET		1		
D10		INC. 107,115				
112	413U01-9	SIDE LIP R		1		
113	265995-6	šroub 4x18 = old 265941-9		5		
114	911129-6	PAN HEAD SCREW M4X16		4		
115	8074E5-8	INDICATION LABEL		1		
116	413U03-5	REAR LIP		1		
117	911129-6	PAN HEAD SCREW M4X16		5		
118	911129-6	PAN HEAD SCREW M4X16		5		
119	413U00-1	FRONT LIP		1		
120	265995-6	šroub 4x18 = old 265941-9		9		
121	1830G2-1	SILENCER SET		1		
D10		INC. 140				
122	422376-9	SUPPORT RING		1		
123	161804-6	FAN COVER		1		
124	252268-6	HEX. NUT M6		1		
125	322407-3	WASHER 6		1		
126	241851-4	větrák 94		1		
127	313062-2	FLANGE		1		
128	265995-6	šroub 4x18 = old 265941-9		3		
129	456736-3	FAN BASE		1		
130	619517-8	ROTOR		1		
131	629C31-4	STATOR		1		

132	620J58-9	CONTROLLER B		1		
133	266490-9	TAPPING SCREW PT 2X6		3		
134	652069-6	FLAT HEAD SCREW M3X6		3		
135	1830G7-1	MOTOR HOUSING SET		1		
D10		INC. 136				
136	1830G7-1	MOTOR HOUSING SET		1		
D10		INC. 135				
137	632V04-2	LEAD UNIT		1		
138	265995-6	šroub 4x18 = old 265941-9		4		
139	424837-5	SUPPORT A		1		
140	1830G2-1	SILENCER SET		1		
D10		INC. 121				
141	265995-6	šroub 4x18 = old 265941-9		1		
142	265995-6	šroub 4x18 = old 265941-9		2		
143	347B83-4	CABLE PLATE		1		
144	422A89-8	CAP		1		
145	413U29-7	ROLLER COVER		1		
146	162C90-0	LINK CABLE A		1		
147	413U28-9	LINK CABLE ROLLER		1		
148	265995-6	šroub 4x18 = old 265941-9		3		
149	256186-0	PIN 5		1		
150	941202-8	podložka 8		1		
151	961004-6	segrovka S-8		1		
152	413U26-3	ROLLER		1		
153	413U25-5	SIDE BRUSH HOLDER		1		
154	911137-7	PAN HEAD SCREW M4X20		2		
155	267491-0	FLAT WASHER 4		2		
156	347B84-2	PULLEY HOLDER		1		
157	257A22-9	SLEEVE 4		2		
158	265995-6	šroub 4x18 = old 265941-9		2		
159	222211-9	GUIDE PULLEY 6.2-19.7		2		
160	225110-4	ROUND BELT 6-860		1		
161	211293-6	BALL BEARING 6809LLB		1		
162	222210-1	ROUND PULLEY 6.2-149.6		1		
163	210229-2	BALL BEARING 6808LLB		1		
164	265620-9	TAPPING SCREW FLANGE 4X18		5		
165	256267-0	PIN 3		1		
166	327C56-9	SIDE BRUSH SHAFT		1		
167	232841-8	COMPRESSION SPRING 14		1		
168	941252-3	podložka 10		1		
169	961013-5	zajišťovací kroužek		1		
170	210141-6	BALL BEARING 6000DDW		1		
171	413U27-1	BRUSH LOCK		1		
172	210141-6	BALL BEARING 6000DDW		1		
173	961013-5	zajišťovací kroužek		1		
174	1830S6-7	SIDE BRUSH REPAIR SET		1		
175	265995-6	šroub 4x18 = old 265941-9		4		
176	1830G8-9	MOTOR CASE SET		1		
D10		INC. 184				
177	619826-5	ROTOR		1		
178	632V03-4	LEAD UNIT		1		
179	652069-6	FLAT HEAD SCREW M3X6		3		

180	629C30-6	STATOR		1		
181	620J59-7	CONTROLLER B		1		
182	266490-9	TAPPING SCREW PT 2X6		3		
183	122F46-3	GEAR ASSEMBLY		1		
184	1830G8-9	MOTOR CASE SET		1		
D10		INC. 176				
185	265995-6	šroub 4x18 = old 265941-9		4		
186	413U20-5	PULLEY SHAFT R		1		
187	211333-0	BALL BEARING 6804LLU		2		
188	413U19-0	BEARING HOLDER R		2		
189	413U22-1	PULLEY SHAFT F		1		
190	327C53-5	DIAL SHAFT		1		
191	252301-4	HEX. FLANGE LOCK NUT M6-10		2		
192	347B81-8	DIAL BASE		1		
193	265995-6	šroub 4x18 = old 265941-9		2		
194	253139-0	podložka 8		2		
195	961012-7	zajišťovací kroužek		1		
196	347B78-7	BRUSH PLATE R		1		
197	265995-6	šroub 4x18 = old 265941-9		4		
198	911123-8	šroub M4x14		2		
199	257A19-8	COLLARED SLEEVE 4C		2		
200	347B79-5	TENSION PLATE		1		
201	232839-5	TENSION SPRING 9		2		
202	251599-0	TAPPING SCREW 4X18		1		
203	265995-6	šroub 4x18 = old 265941-9		1		
204	347B80-0	HEIGHT ADJUST PLATE		1		
205	413U23-9	HEIGHT INDICATOR		1		
206	262212-5	RUBBER RING 8		2		
207	253139-0	podložka 8		2		
208	257A20-3	COLLARED SLEEVE 4B		1		
209	254220-0	klínek 5 HR4501C/10C/11C		1		
210	911159-7	PAN HEAD SCREW M4X30		2		
211	961052-5	segrovka vnější S-12		1		
212	222206-2	PULLEY 14-33.6		1		
213	265995-6	šroub 4x18 = old 265941-9		3		
214	222208-8	PULLEY 17.5-33.6		2		
215	211333-0	BALL BEARING 6804LLU		2		
216	225109-9	SYNCHRO BELT 12-699		1	*	
216-1	225109-9	SYNCHRO BELT 12-699	O	1		
217	257A18-0	COLLARED SLEEVE 4A		1		
218	222209-6	ROUND PULLEY 6.2-45.7		1		
219	211166-3	BALL BEARING 698DDW		4		
220	265620-9	TAPPING SCREW FLANGE 4X18		2		
221	222207-0	PULLEY 17-26.0		2		
222	141V27-4	BODY COMPLETE		1		
C10	8074F0-5	CAUTION LABEL		1		
223	265995-6	šroub 4x18 = old 265941-9		4		
224	251599-0	TAPPING SCREW 4X18		1		
225	265620-9	TAPPING SCREW FLANGE 4X18		2		
226	347B82-6	BRUSH PLATE L		1		
227	327C54-3	BRUSH SHAFT		2		

228	210069-8	BALL BEARING 6900DDW	2		
229	234245-0	COMPRESSION SPRING 12	2		
230	267047-9	podložka 10	4		
231	257A21-1	SLEEVE 17	2		
232	961013-5	zajišťovací kroužek	2		
233	211485-7	BALL BEARING 6800LLU	2		
234	413U24-7	BEARING HOLDER L	2		
235	1830S5-9	MAIN BRUSH REPAIR SET	2		
236	347B77-9	CASTER PLATE	1		
237	162C86-1	CASTER 100	1		
238	921452-1	Schraube M8x30	4		
239	162D12-6	TIRE PLATE R	1		
240	266021-4	šroub Pt 5x20	3		
241	911103-4	šroub M4x6	1		
242	649153-6	EARTH LINE 90	1		
243	413U08-5	REAR TIRE	2		
244	265487-5	H.S. BUTTON HEAD BOLT M5X16	2		
245	267380-9	FLAT WASHER 20	2		
246	211323-3	kuličkové ložisko 6904LLU	4		
247	961060-6	segrovka vnější S-20	2		
248	413U09-3	REAR TIRE CAP	2		
249	162D13-4	TIRE PLATE L	1		
250	266021-4	šroub Pt 5x20	3		
251	265487-5	H.S. BUTTON HEAD BOLT M5X16	2		
252	327C51-9	DUST CONTAINER SHAFT	1		
253	265487-5	H.S. BUTTON HEAD BOLT M5X16	4		
254	347C05-0	SHAFT PLATE	2		
255	688289-6	LINE FILTER	1		
E01	8074F1-3	SOUND LABEL	1		

Prosím uveďte objednávací číslo dílu v objednávce

Datum tisku 18. 07. 2024