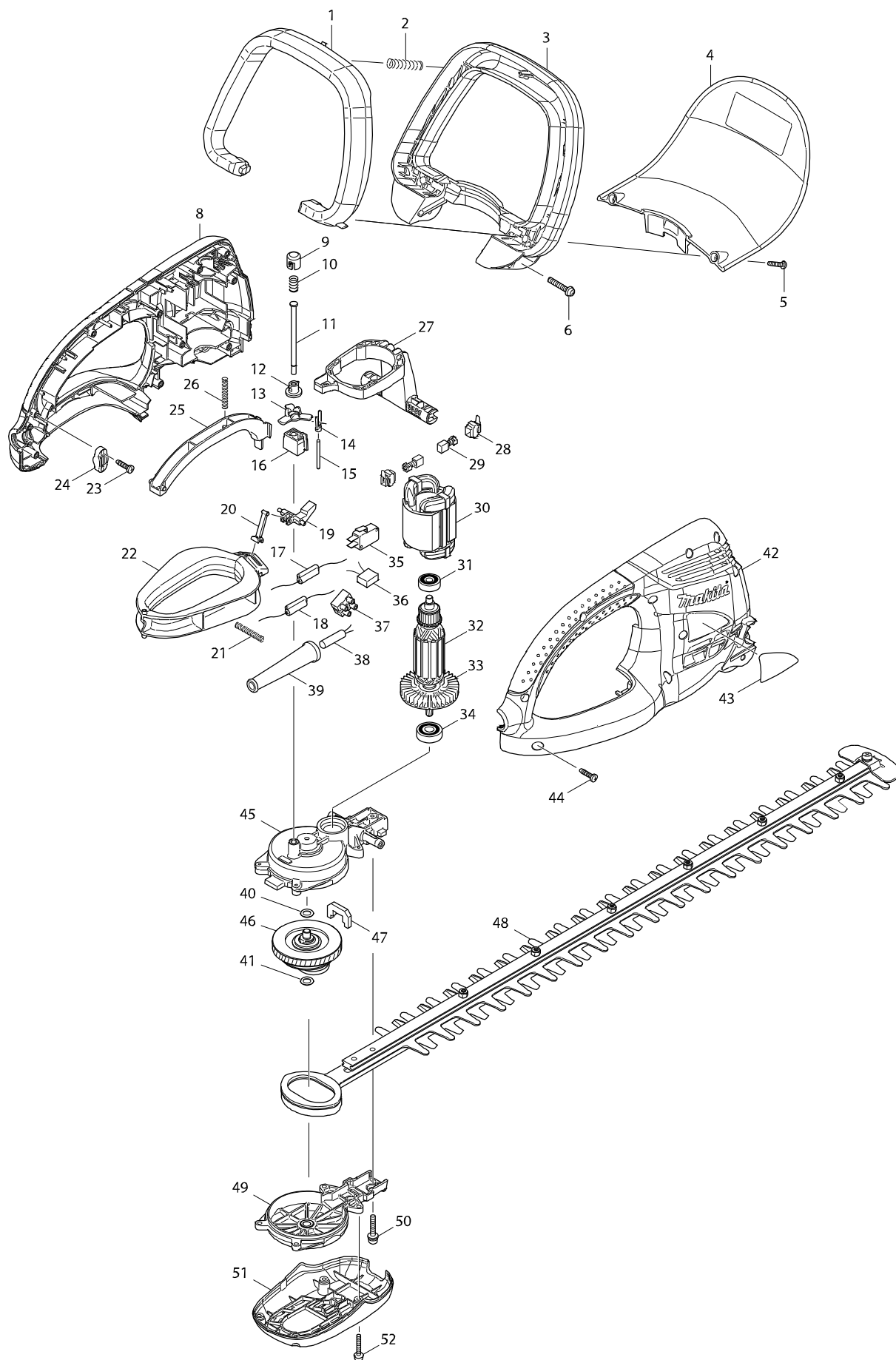


Číslo typu UH6570 HEDGE TRIMMER 650MM



| Položka | Číslo dílu | Popis | Změn | Množstv | N/O | Možnost 1 | Možnost 2 | Poznámka |
|---------|------------|-----------------------------|------|---------|-----|-----------|-----------|----------|
| 001 | 450444-8 | SWITCH LEVER B | | 1 | | | | |
| 002 | 233157-4 | COMPRESSION SPRING 9 | | 1 | | | | |
| 003 | 450442-2 | FRONT GRIP | | 1 | | | | |
| 004 | 158629-7 | kryt | | 1 | | | | |
| 005 | 265995-6 | šroub 4x18 = old 265941-9 | | 2 | | | | |
| 006 | 911253-5 | šroub M5x30 | | 2 | | | | |
| 008 | 188567-9 | HOUSING SET | | 1 | | | | |
| D10 | | INC. 42 | | | | | | |
| 009 | 417740-7 | víčko | | 1 | | | | |
| 010 | 233288-9 | pružina RP1110C | | 1 | | | | |
| 011 | 268077-3 | čep | | 1 | | | | |
| 012 | 417727-9 | CAP HOLDER | | 1 | | | | |
| 013 | 417736-8 | držák | | 1 | | | | |
| 014 | 417735-0 | víčko | | 1 | | | | |
| 015 | 268237-7 | ROD 3 | | 1 | | | | |
| 016 | 417781-3 | držák | | 1 | | | | |
| 017 | 646206-2 | CHOKE COIL | | 1 | | | | |
| 018 | 646207-0 | CHOKE COIL | | 1 | | | | |
| 019 | 417737-6 | spojovací díl | | 1 | | | | |
| 020 | 417739-2 | tyč | | 1 | | | | |
| 021 | 233156-6 | COMPRESSION SPRING 5 | | 1 | | | | |
| 022 | 417731-8 | SWITCH LEVER C | | 1 | | | | |
| 023 | 265995-6 | šroub 4x18 = old 265941-9 | | 2 | | | | |
| 024 | 687063-9 | CORD CLAMP | | 1 | | | | |
| 025 | 450443-0 | SWITCH LEVER A | | 1 | | | | |
| 026 | 233156-6 | COMPRESSION SPRING 5 | | 1 | | | | |
| 027 | 450488-8 | LEVER | | 1 | | | | |
| 028 | 643936-6 | držák uhlíků = old 921709 | | 2 | | | | |
| 029 | 191962-4 | uhlíky CB-419 = CB-406,407 | | 1 | | | | |
| 030 | 621733-0 | stator | | 1 | | | | |
| 031 | 211027-7 | BALL BEARING 627ZZ | | 1 | | | | |
| 032 | 515738-9 | rotor | | 1 | | | | |
| D10 | | INC. 31,33,34 | | | | | | |
| 033 | 241850-6 | větrák | | 1 | | | | |
| 034 | 211062-5 | kuličkové ložisko 6000ZZ | | 1 | | | | |
| 035 | 650608-6 | vypínač D3B6-V1AA UH4570 | | 1 | * | | | |
| 035-1 | 650628-0 | vypínač | < | 1 | | | | |
| 036 | 645190-8 | kondenzátor | | 1 | | | | |
| 037 | 654531-7 | Terminal Block 2P | | 1 | | | | |
| 038 | 666246-4 | POWER SUPPLY CORD 1.5-2-0.3 | | 1 | | | | |
| 039 | 682503-2 | CORD GUARD 8-90 | | 1 | | | | |
| 040 | 253215-0 | 796119 | | 1 | | | | |
| 041 | 253215-0 | 796119 | | 1 | | | | |
| 042 | 188567-9 | HOUSING SET | | 1 | | | | |
| D10 | | INC. 8 | | | | | | |
| 043 | 865757-8 | UH6570 NAME PLATE | | 1 | | | | |
| 044 | 265995-6 | šroub 4x18 = old 265941-9 | | 10 | | | | |
| 045 | 158625-5 | převodová skříň UH4570/5570 | | 1 | | | | |

