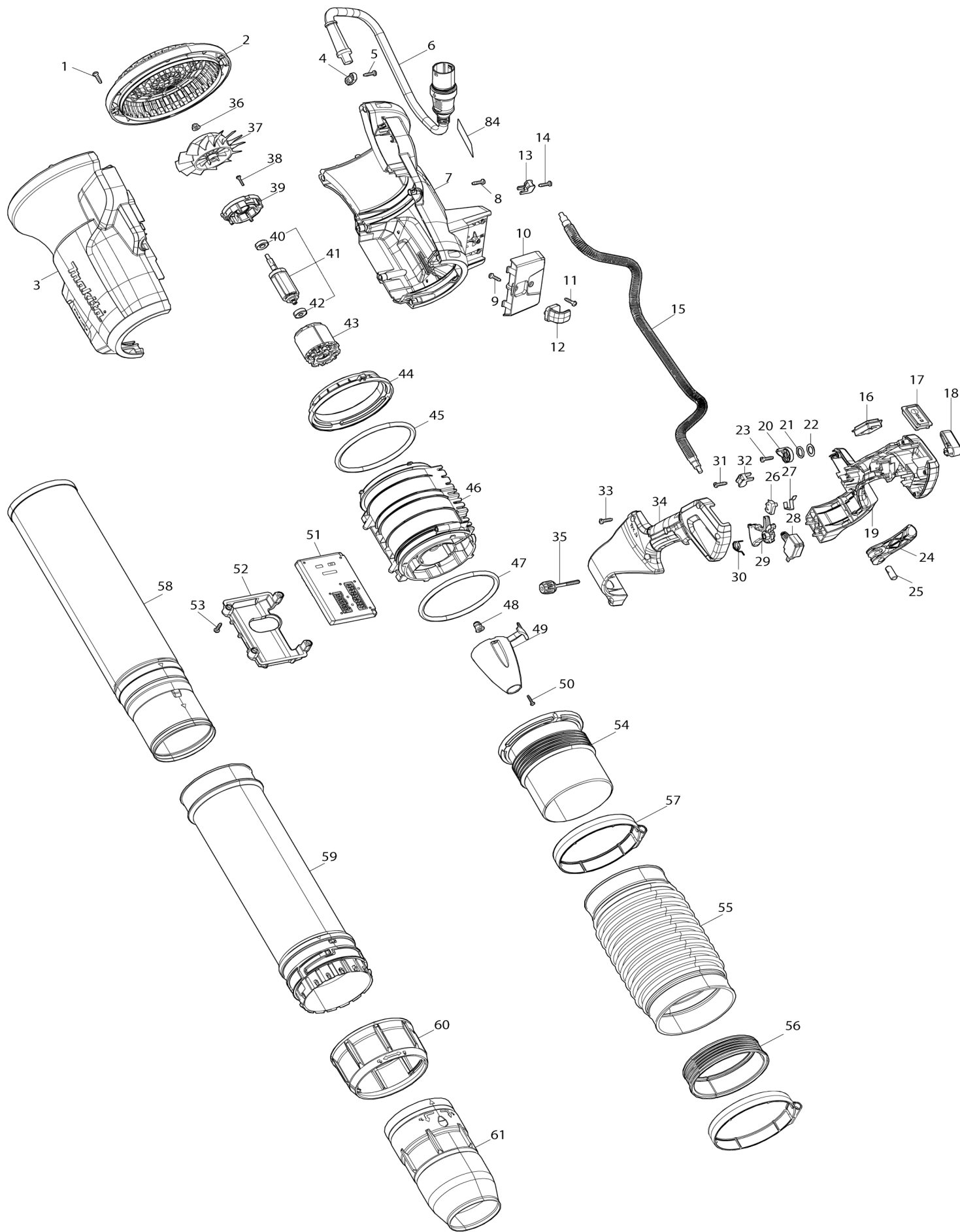
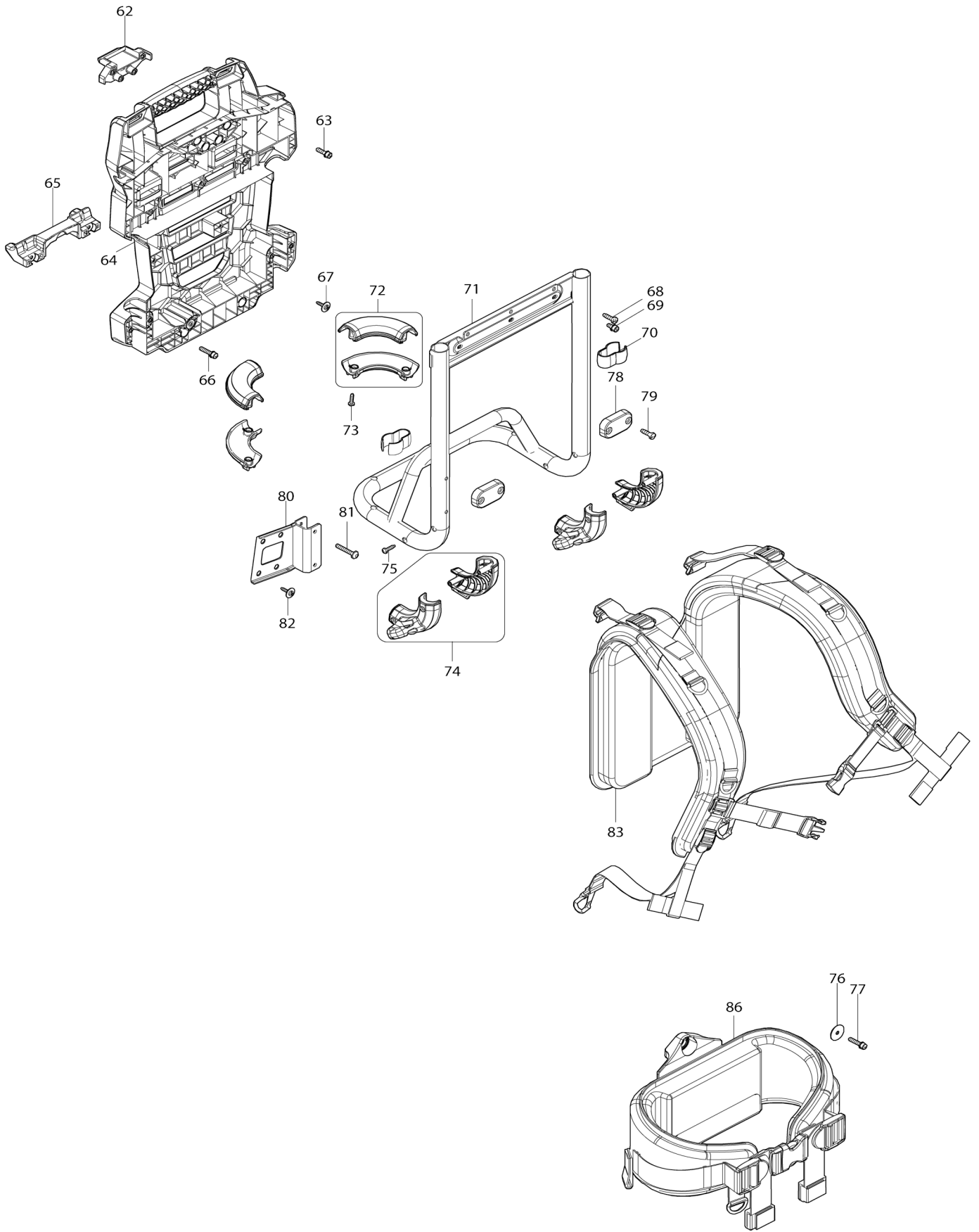


Model No.UB004C BATTERY POWERED BKPK BLOWER



Model No.UB004C BATTERY POWERED BKPK BLOWER



Model No.UB004C BATTERY POWERED BKPK BLOWER

Obj. č.	Obj. č.	Popis	Možn ost zá měny	Množ ství	Nový/ Starý	Poznámka 1	Poznámka 2
001	266326-2	šroub 4x18=new265995-6		4			
002	413X98-6	REAR COVER		1			
003	1830S3-3	HOUSING SET		1			
C10	8011Y4-4	CAUTION LABEL		1			
D10		INC. 7					
004	687149-9	STRAIN RELIEF		1			
005	266326-2	šroub 4x18=new265995-6		2			
006	699239-6	POWER SUPPLY CORD UNIT		1			
007	1830S3-3	HOUSING SET		1			
C10	8011Y4-4	CAUTION LABEL		1			
D10		INC. 3					
008	266326-2	šroub 4x18=new265995-6		8			
009	266326-2	šroub 4x18=new265995-6		1			
010	413X89-7	FRAME COVER		1			
011	266326-2	šroub 4x18=new265995-6		1			
012	413Y30-6	CLAMP		1			
013	687260-7	držák kabelu GA5020/6020/HR22 30		1		dr	
014	266326-2	šroub 4x18=new265995-6		1			
015	699240-1	POWER SUPPLY CORD UNIT		1			
016	620N41-0	SWITCH CIRCUIT COMPLETE		1			
017	620N42-8	SWITCH CIRCUIT COMPLETE		1			
018	413G66-7	CONTROL LEVER		1		p	
019	1830J3-0	LEVER CASE SET		1			
D10		INC. 34					
020	412754-1	LINK		1		spoj	
021	213154-6	o kroužek 14		1		o krou	
022	253798-0	podložka 13 HP2000=old341663 -6		1		podlo	
023	266326-2	šroub 4x18=new265995-6		1			
024	413Y06-3	LEVER		1			
025	256A58-5	PIN 9		1			
026	632V43-2	SWITCH UNIT		1			
027	232634-3	LEAF SPRING		1		pru	
028	650056-9	SWITCH C3JR-1AT-PAXD5		1			
029	413X92-8	SWITCH LEVER		1			
030	232853-1	TORSION SPRING 12		1			
031	266326-2	šroub 4x18=new265995-6		1			
032	687260-7	držák kabelu GA5020/6020/HR22 30		1		dr	
033	266326-2	šroub 4x18=new265995-6		6			
034	1830J3-0	LEVER CASE SET		1			
D10		INC. 19					
035	413Y07-1	THUMB SCREW M5X45		1			
036	252286-4	COLLARED HEX.LOCK NUT M5-8		1		matka M5-8 DUB184 =old252103-8	
037	240237-9	FAN 110		1		ventil	
038	266130-9	šroub PT 3X		4			
039	413X94-4	MOTOR HOUSING COVER		1			

040	211166-3	BALL BEARING 698DDW		1	lo	
041	519847-6	ROTOR ASSEMBLY		1		
D10		INC. 40,42				
042	210310-9	BALL BEARING 626DDW		1		
043	629C63-1	STATOR		1		
044	413X97-8	REAR RETAINER		1		
045	424721-4	RUBBER RING 115		1	gumov	
046	137129-0	MOTOR HOUSING ASSEMBLY		1		
C10	263005-3	vymezovací čep 6		2		
047	424721-4	RUBBER RING 115		1	gumov	
048	422879-3	GROMMET		1	pr	
049	413X95-2	CAP		1		
050	266130-9	šroub PT 3X		3		
051	620N68-0	CONTROLLER		1		
052	413Y00-5	CONTROLLER CASE COVER		1		
053	266326-2	šroub 4x18=new265995-6		4		
054	413X96-0	FRONT PIPE		1		
055	413X99-4	FLEXIBLE PIPE 118		1		
056	413Y01-3	SWIVEL RING		1		
057	122G27-3	HOSE CLAMP 120 ASSEMBLY		2		
C10	911258-5	šroub M5x35 = old 290028		2		
C20	252103-8	zajišťovací šroub M5-8		2		
058	413Y02-1	MIDDLE PIPE		1		
059	141V13-5	PIPE COMPLETE		1		
060	413Y52-6	LOCK RING		1		
061	413Y04-7	END NOZZLE 81		1		
062	312E43-3	TOP HOLDER		1		
063	922233-6	H.S.H.BOLT M5X20 WITH WR		4		
064	141V12-7	FRAME COMPLETE		1		
C10	8073L7-7	INDICATION LABEL		1		
065	312E44-1	BOTTOM HOLDER		1		
066	922243-3	Hex. Socket Head Bolt M5		2		
067	265620-9	TAPPING SCREW FLANGE 4X18		2		
068	266021-4	šroub Pt 5x20		3		
069	922213-2	H.S.H.BOLT M5X12 WITH WR		3		
070	457458-8	CLAMP		2	spona	
071	162D16-8	PIPE FRAME COMPLETE		1		
072	183W34-7	FOOT HOUSING SET		2	krytka cpl.	
073	266326-2	šroub 4x18=new265995-6		4		
074	1830J4-8	FOOT HOUSING R SET		2		
075	266326-2	šroub 4x18=new265995-6		4		
076	253783-3	podložka 6		1	podlo	
077	922243-3	Hex. Socket Head Bolt M5		1		
078	413Y05-5	PIPE FRAME COVER		2		
079	266021-4	šroub Pt 5x20		4		
080	347C24-6	BRACKET		1		
081	265D60-5	HEX.SOCKET BUTTON HEAD BOL T M5		2		
082	265620-9	TAPPING SCREW FLANGE 4X18		4		
083	162D22-3	BAND COMPLETE		1		
084	8143E9-7	UB004C NAME PLATE		1		
086	162D23-1	CUSHION COMPLETE		1		

A01	162D24-9	PIPE SUPPORT BELT COMPLETE		1			
A02	162D25-7	PIPE BELT COMPLETE		1			
A03	1914H0-2	END NOZZLE 74 SET		1			
A04	1914H1-0	FLAT NOZZLE SET		1			
A05	162D24-9	PIPE SUPPORT BELT COMPLETE		1			
E01	891805-7	SOUND 98DB LABEL		1			

Prosím uveďte objednáací číslo dílu v objednávce

Datum tisku 11. 06. 2024