







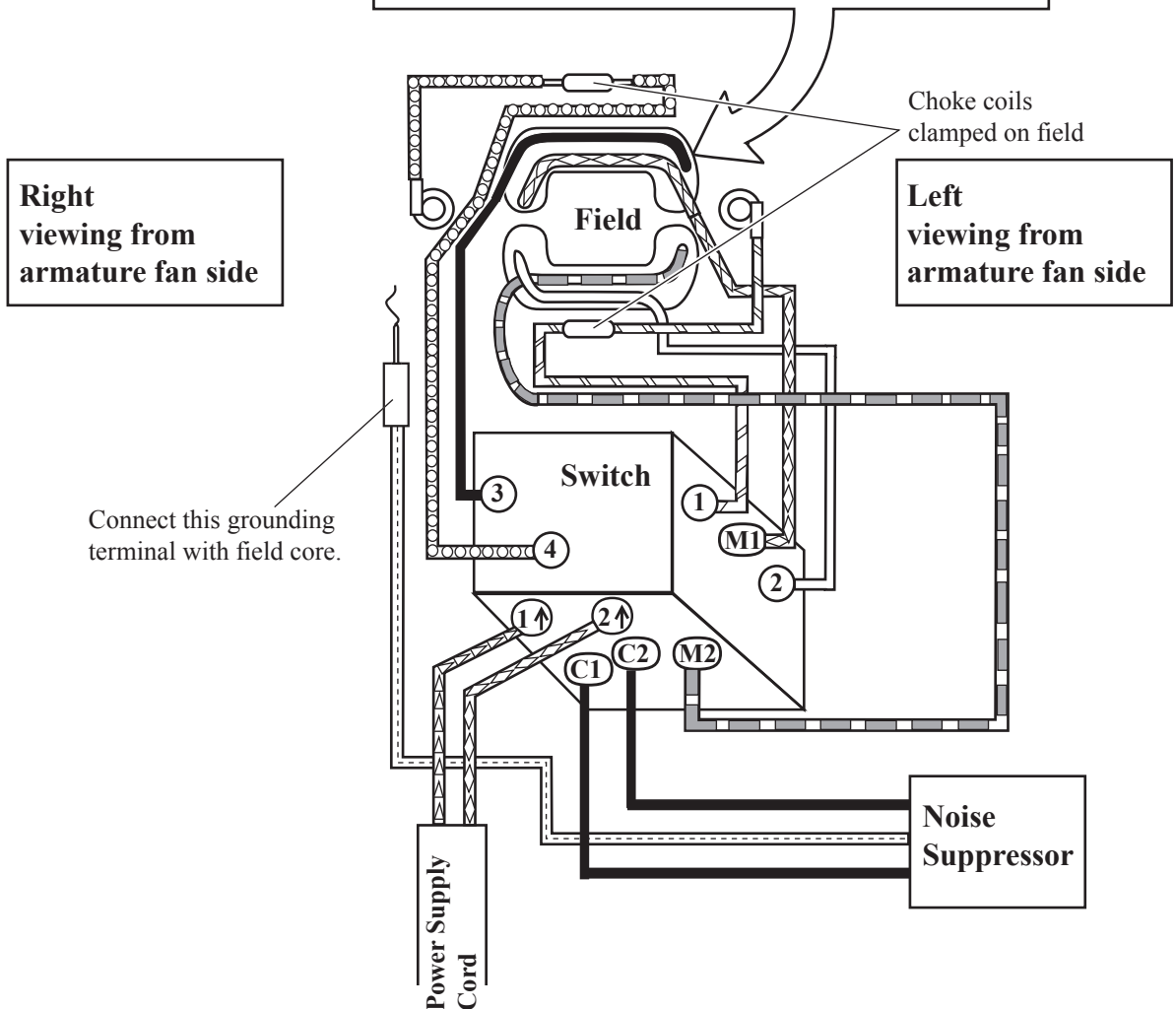
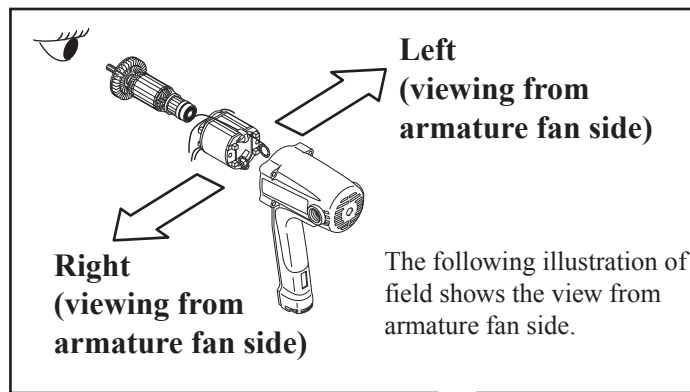


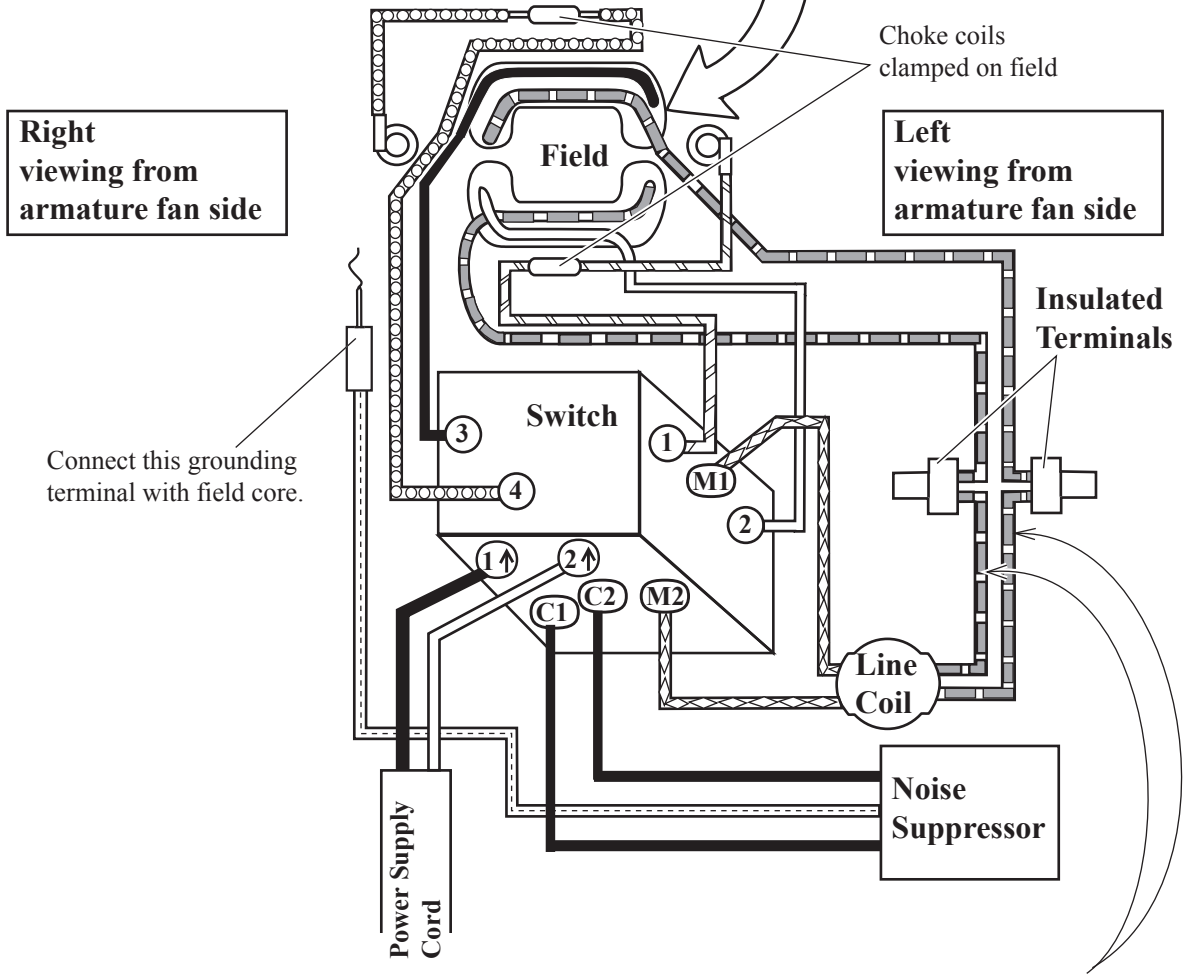
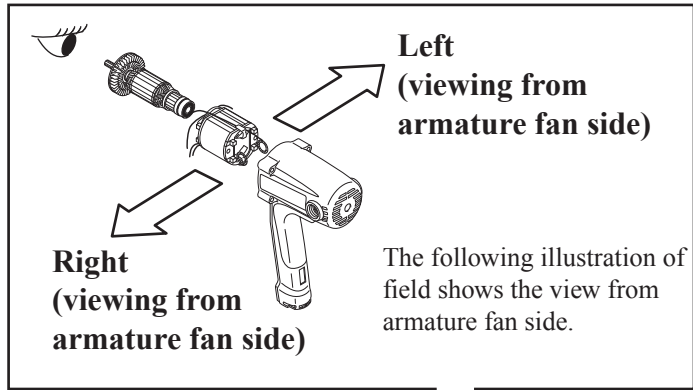
Color index of lead wires	
Black	
White	
Red	
Orange	
Blue	
Purple	
Brown	
See-through	



< Note >

- \* Choke coils are not used for all countries.
- \* Noise suppressor is not used for all countries.
- \* Noise suppressor of two lead wire type is used for some countries in stead of three lead wire type.

Color index of lead wires	
Black	
White	
Red	
Orange	
Blue	
Purple	
Brown	
See-through	



White lead wires can be used for connecting insulated terminals to line coil.

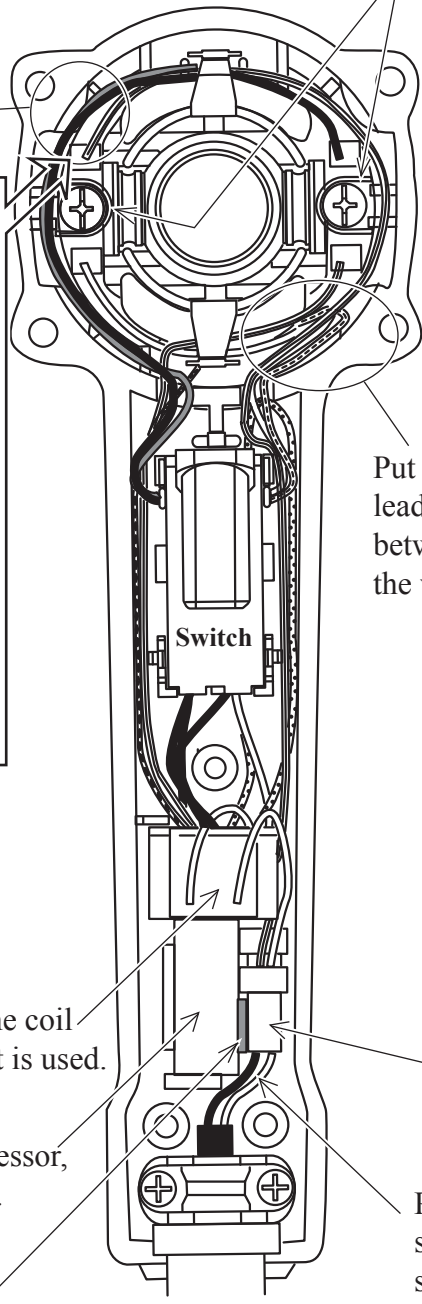
Mount field paying attention to the following matters.

1. Poke in terminal side has to be faced to armature fan side.
2. Orange lead wire side has to be located on switch side.

Insulation covers have to be mounted as per Fig. A. Do not mount them as per Fig. B.

Pass the field lead wires along the wall of motor housing.

The lead wire of tab terminal has to be put in the space between rib and wall of motor housing. Do not put on the rib.



Put the slack portion of lead wires into the space between field core and the wall of motor housing.

Put sponge sheet into the illustrated position

Line coil if it is used.

Noise suppressor, if any.

Rib

Insulated terminal

Put lead wires of power supply cord on the right side of rib.