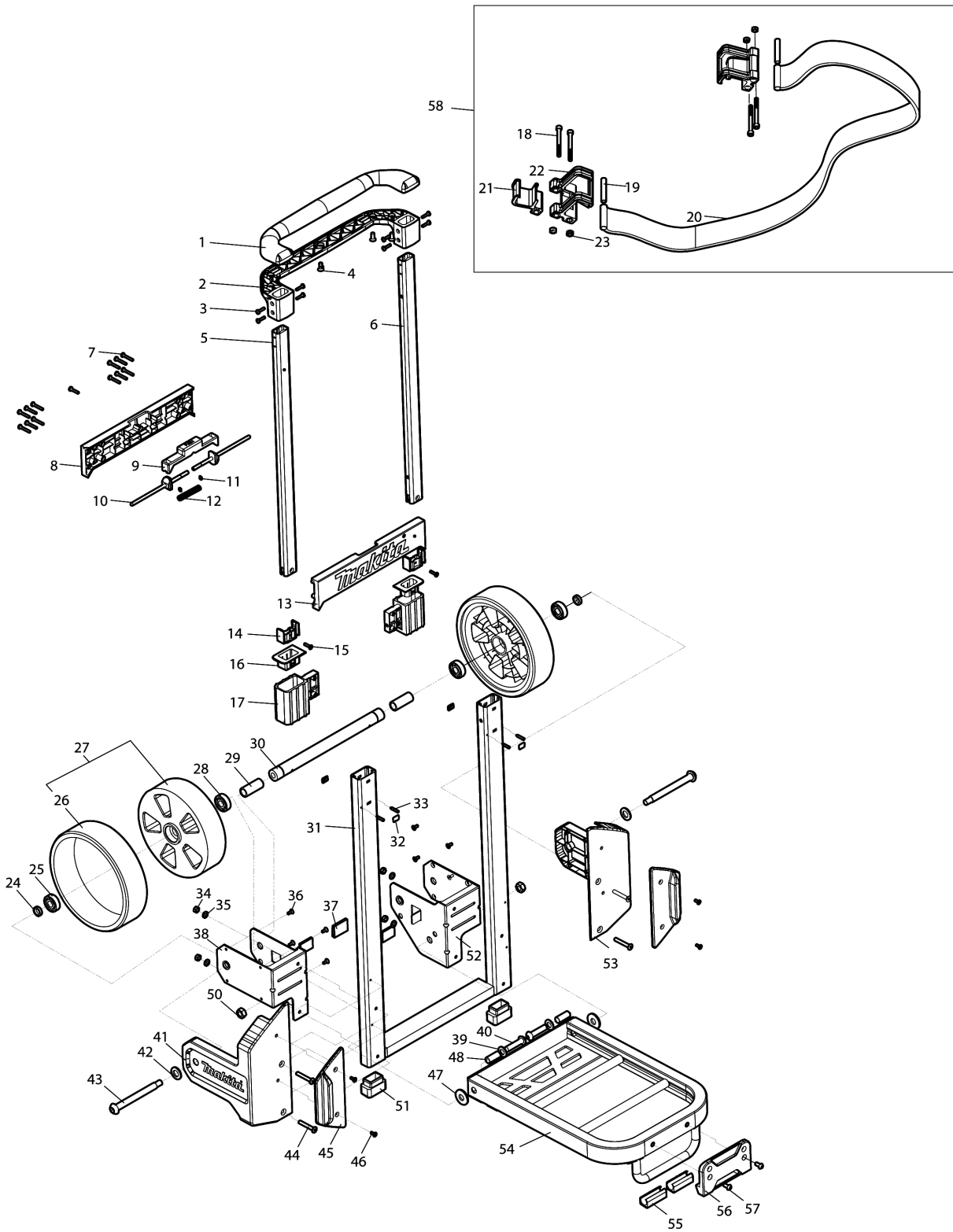


Model No.TR0000001 TROLLEY FOR MAKPAC



Model No.TR00000001 TROLLEY FOR MAKPAC

Položka	Číslo dílu	Popis	Změna	Množství	New/Old	Možnost 1	Možnost 2	Poznámka
001	TR00000049	HANDLE UPPER PART		1				
002	TR00000047	HANDLE LOWER PART		1				
003	TR00000046	HEXAGON SOCKET SCREW M4X10		8				
004	TR00000048	SELF-TAPPING SCREW ST6.3X25		5				
005	TR00000050	ON THE ROD R		1				
006	TR00000045	ON THE ROD L		1				
007	TR00000008	ST4.2X25 SELF-TAPPING SCREW		13				
008	TR00000007	LOWER HANDLE 2		1				
009	TR00000005	PRESS BLOCK		1				
010	TR00000006	THE LOCK ROD		2				
011	TR00000003	E-TYPE CLAMP SPRING		2				
012	TR00000004	SPRING 2		1				
013	TR00000040	LOWER HANDLE 1		1				
014	TR00000044	UPPER LIFTING ROD END CAP		2				
015	TR00000043	HEXAGON SOCKET SCREW M4X16		2				
016	TR00000042	LOWER BUSHING		2				
017	TR00000041	CONNECTING BLOCK		2				
018	TR00000053	HEXAGON SOCKET SCREW M6X60		4				
019	TR00000056	PLASTIC TUBE		2				
020	TR00000055	ELASTIC BAND		1				
021	TR00000052	ELASTIC BAND CONNECTION 2		2				
022	TR00000051	ELASTIC BAND CONNECTION 1		2				
023	TR00000054	M6 ANTI-LOOSE NUT		4				
024	TR00000018	SHORT SHAFT SLEEVE		2				
025	TR00000017	6201 BEARING		2				
026	TR00000016	RUBBER HOUSING		2				
027	TR00000015	WHEEL ASSY		2				
D10		INC. 26						
028	TR00000017	6201 BEARING		2				
029	TR00000014	LONG SHAFT SLEEVE		2				
030	TR00000009	WHEEL SHAFT ASSEMBLY		1				
031	TR00000039	LOWER LIFTING ROD WELDING		1				
032	TR00000038	PLASTIC BLOCK		4				
033	TR00000037	SET SCREW M4X20		4				
034	TR00000012	M6 ANTI-LOOSE NUT		4				
035	TR00000011	M6 WASHER		4				
036	TR00000057	SELF-TAPPING SCREW ST4.2X9.5		8				
037	TR00000010	PROTECTIVE COVER		2				
038	TR00000013	REINFORCING PLATE R		1				
039	TR00000025	M10 WASHER		2				
040	TR00000019	HEXAGON SOCKET M10X45		2				

Model No.TR00000001 TROLLEY FOR MAKPAC

Položka	Číslo dílu	Popis	Změna	Množství	New/Old	Možnost 1	Možnost 2	Poznámka
041	TR00000021	BOTTOM SUPPORT(R)		1				
042	TR00000020	FLAT WASHER 13		2	*			
042-1	TR00000020	FLAT WASHER 13	O	2				
043	TR00000035	HEXAGON SOCKET SCREW M10X120		2				
044	TR00000023	HEXAGON SOCKET BOLT M6X40		4				
045	TR00000033	SIDE BAFFLE		2				
046	TR00000024	HEXAGON SOCKET SCREW M4X10		4				
047	TR00000032	ANTI-LOOSE WASHER		2				
048	TR00000031	BUSHING		2				
050	TR00000026	M10 ANTI-LOOSE NUT		2				
051	TR00000022	FOOT-PAD		2				
052	TR00000036	REINFORCING PLATE L		1				
053	TR00000034	BOTTOM SUPPORT(L)		1				
054	TR00000030	WELDING COMPONENTS		1				
055	TR00000027	NON-SLIP SLEEVE		2				
056	TR00000029	FRONT BAFFLE		1				
057	TR00000028	HEXAGON SOCKET SCREW M6X12		2				
058	TR00000064	BELT ASSY		1				
A01	TR00000062	ATTENTION LABEL(FOR EUROPE)		1				

Please order the parts with part number.

Print Date 9/11/2021