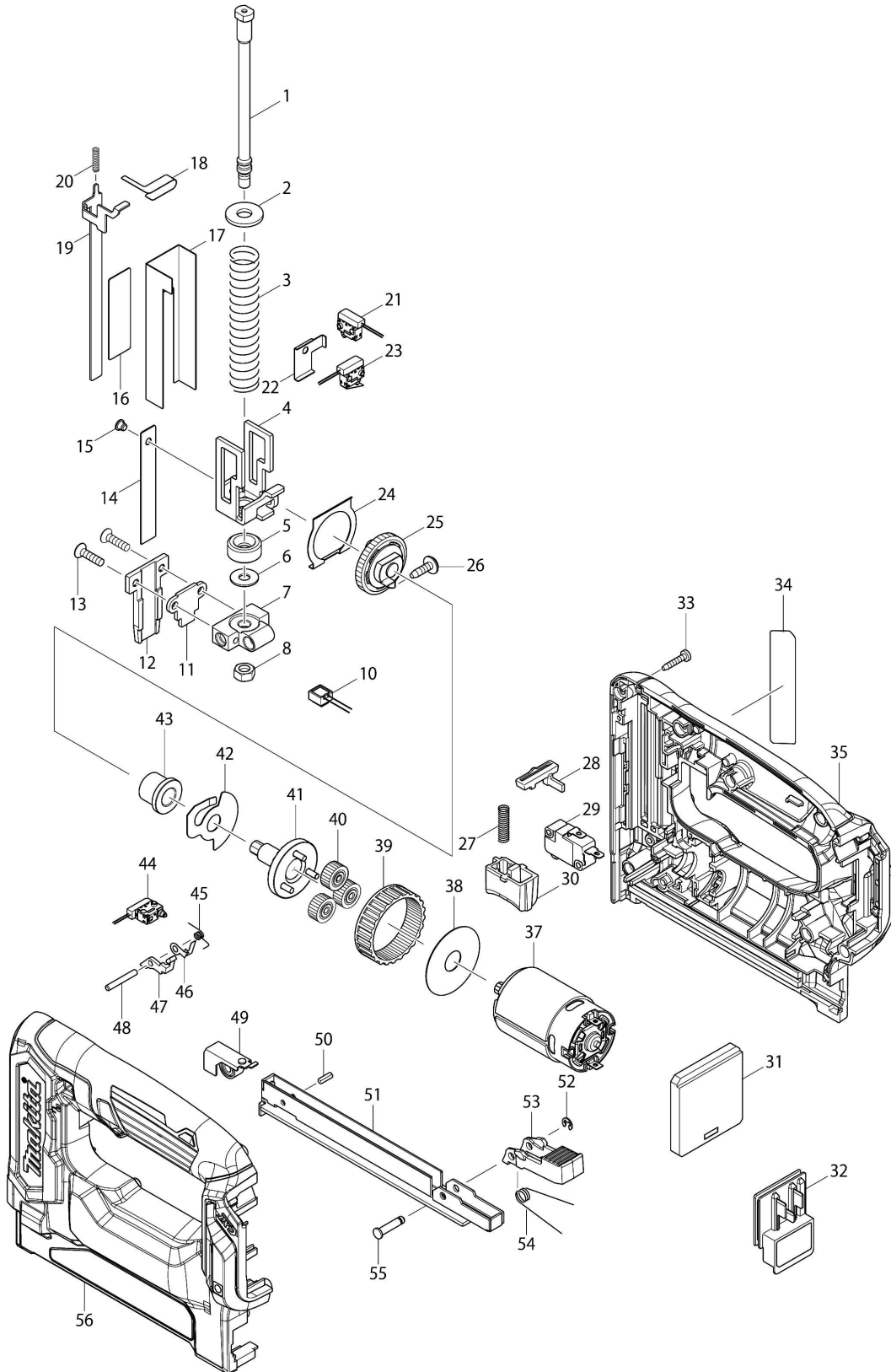


# Model No.ST113D CORDLESS STAPLER



Model No.ST113D CORDLESS STAPLER

Položka	Číslo dílu	Popis	Změna	Množství	New/Old	Možnost 1	Možnost 2	Poznámka
001	326731-6	GUIDE BOLT		1				
002	253762-1	FLAT WASHER 8		1				
003	232297-5	COMPRESSION SPRING 13		1				
004	347023-0	HAMMER		1				
005	424099-5	CUSHION		1				
006	253804-1	FLAT WASHER 6		1				
007	319425-0	HOLDER		1	*			
007-1	319425-0	HOLDER	O	1				
008	931302-2	HEX. NUT M6		1				
010	620507-6	LED CIRCUIT		1				
011	347037-9	SET PLATE		1				
012	326738-2	DRIVER GUIDE		1				
013	251487-1	H.SOCKET C.S.HEAD SCREW M4X16		2				
014	347034-5	DRIVER		1				
015	256318-9	FLAT FILLISTER HD. PIN 4		1				
016	347038-7	UPPER PLATE		1				
017	347036-1	GUIDE PLATE		1				
018	232300-2	LEAF SPRING		1				
019	347042-6	CONTACT ARM		1	*			
019-1	347316-5	CONTACT ARM	<	1				
020	232337-9	COMPRESSION SPRING 3		1				
021	632G60-2	SWITCH UNIT		1				
022	347121-0	SLIDE PLATE		1				
023	632G61-0	SWITCH UNIT		1				
024	347040-0	GEAR PLATE		1				
025	143770-9	SPUR GEAR 43 COMPLETE		1				
026	266901-4	TAPPING SCREW 4X14		1				
027	232299-1	COMPRESSION SPRING 5		1				
028	456799-9	TRIGGER LOCK		1				
029	632J09-0	SWITCH UNIT		1	*			
029-1	632M82-8	SWITCH UNIT	<	1				
030	457303-7	TRIGGER		1				
031	620598-7	CONTROLLER		1				
032	644813-5	TERMINAL		1				
033	266130-9	TAPPING SCREW BIND PT 3X16		10				
034	852U41-6	ST113D NAME PLATE		1	*			
034-1	852U40-8	ST113D NAME PLATE	<	1				
035	183F23-0	HOUSING SET		1				
C10	263002-9	RUBBER PIN 4		2				
C20	252126-6	HEX. LOCK NUT M4-7		2				
D10		INC. 56						
037	629240-7	DC MOTOR		1				
038	267053-4	FLAT WASHER 12		1				
039	227166-3	INTERNAL GEAR 69		1				

Model No.ST113D CORDLESS STAPLER

Položka	Číslo dílu	Popis	Změna	Množství	New/Old	Možnost 1	Možnost 2	Poznámka
040	221961-3	SPUR GEAR 27		3				
041	143777-5	SPUR GEAR 7 COMPLETE		1				
042	345773-1	ANTI BACK PLATE		1				
043	214059-3	PLANE BEARING 10		1				
044	632G60-2	SWITCH UNIT		1				
045	232298-3	TORTION SPRING 3		1				
046	347041-8	SLIP PLATE		1				
047	456796-5	SWITCH PLATE		1				
048	256221-4	PIN 3		1				
049	143780-6	SPIRAL SPRING COMPLETE		1				
050	951051-5	SPRING PIN 3-8		1				
051	161467-8	SUB MAGAZINE		1				
052	961017-7	STOP RING E-3		1				
053	456798-1	LEVER		1				
054	232301-0	TORSION SPRING 7		1				
055	268029-4	PIN 4		1				
056	183F23-0	HOUSING SET		1				
C10	263002-9	RUBBER PIN 4		2				
C20	252126-6	HEX. LOCK NUT M4-7		2				
D10		INC. 35						
A01	195246-2	SAFETY GOGGLE		1	*			
A02	266622-8	+ TRUSS HEAD SCREW M4X12		1	*			
A02-1	251314-2	+ SCREW M4X12	O	1				
A03	346909-5	HOOK		1				
A04B	821549-5	CONNECTOR PLASTIC CASE (TYPE1)		1				
C10	453974-8	LATCH		4				
A04C	821549-5	CONNECTOR PLASTIC CASE (TYPE1)		1				
C10	453974-8	LATCH		4				
A05B	839019-0	INNER TRAY		1				
A05C	839019-0	INNER TRAY		1				
A06B	810X08-8	ST113DWAJ INDICATION LABEL		1	*			
A06C	810X11-9	ST113DWMJ INDICATION LABEL		1	*			
A06-1B	810X07-0	ST113DWAJ INDICATION LABEL	<	1				
A06-1C	810X10-1	ST113DWMJ INDICATION LABEL	<	1				
A07B	810X09-6	ST113DWAJ PLASTIC CASE LABEL		2				
A07C	810X12-7	ST113DWMJ PLASTIC CASE LABEL		2				
A08B	456128-6	BATTERY COVER		1				
A08C	456128-6	BATTERY COVER		1				
A09B	***DC10WC	DC10WC BATTERY CHARGER		1	*			
D10		COMPO-PARTS			*			
A09C	***DC10WC	DC10WC BATTERY CHARGER		1	*			

Model No.ST113D CORDLESS STAPLER

Položka	Číslo dílu	Popis	Změna	Množství	New/Old	Možnost 1	Možnost 2	Poznámka
D10		COMPO-PARTS			*			
A09-1B	***DC10WD	DC10WD BATTERY CHARGER	<	1				
D10		COMPO-PARTS						
A09-1C	***DC10WD	DC10WD BATTERY CHARGER	<	1				
D10		COMPO-PARTS						
A10B	197394-3	BATTERY BL1020B SET		2	*			
A10C	197402-0	BATTERY BL1040B SET		2	*			
A10-1B	197396-9	BATTERY BL1021B SET	<	2	*			
A10-1C	197406-2	BATTERY BL1041B SET	<	2	*			
A10-2B	197396-9	BATTERY BL1021B SET	O	2				
A10-2C	197406-2	BATTERY BL1041B SET	O	2				

Please order the parts with part number.

Print Date 14/5/2021