



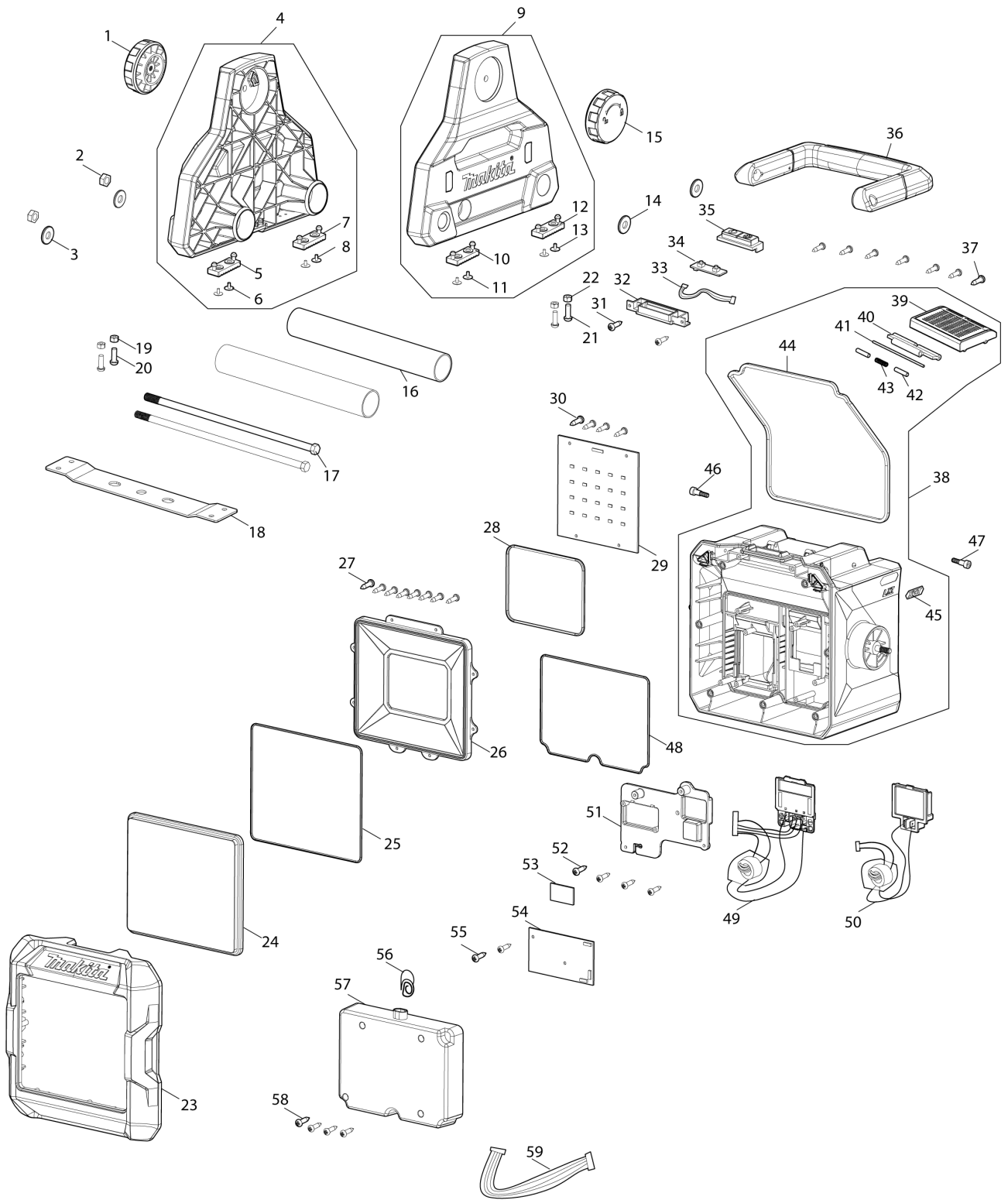
DE	GERMANY
----	---------

Diagram / Parts List

ML003G

CORDLESS WORKLIGHT

(DE) ML003G / CORDLESS WORKLIGHT



DE	GERMANY
----	---------

ML003G / CORDLESS WORKLIGHT

Item	Sub	Parts No.	Parts Description	Qty	I/C	E/C No.	Close No.	Remark
001		GM00002160	LATCH KNOB ASSY	1				
002		GM00002158	NUT M8	2				
003		GM00002157	METAL OD20XID8.5X2MM	2				
004		GM00002308	STAND-LEFT ASSY	1				
	D10		INC. 5-8					
005		GM00002154	RUBBER FOOT	1				
006		GM00002164	SCREW 3X6 PWB	2				
007		GM00002154	RUBBER FOOT	1				
008		GM00002164	SCREW 3X6 PWB	2				
009		GM00002307	STAND-RIGHT ASS'Y	1				
	D10		INC. 10-13					
010		GM00002154	RUBBER FOOT	1				
011		GM00002164	SCREW 3X6 PWB	2				
012		GM00002154	RUBBER FOOT	1				
013		GM00002164	SCREW 3X6 PWB	2				
014		GM00002157	METAL OD20XID8.5X2MM	2				
015		GM00002160	LATCH KNOB ASSY	1				
016		GM00002305	STAND HOLDING TUBE	2				
017		GM00002304	METAL BOLT M8	2				
018		GM00002303	BASE HOLDING PLATE	1				
019		GM00002155	NUT M5	2				
020		GM00002156	SCREW 5X15 PM	2				
021		GM00002156	SCREW 5X15 PM	2				
022		GM00002155	NUT M5	2				
023		GM00002313	FRONT COVER ASSY	1				
024		GM00002314	LENS ASSY	1				
025		GM00002315	LENS O-RING	1				
026		GM00002316	REFLECTOR ASSY	1				
027		GM00001332	SCREW 3 X 8 PB	8				
028		GM00002317	HEAT SINK O-RING	1				
029		GM00002318	LED PCBA ASSY	1				
030		GM00001332	SCREW 3 X 8 PB	4				
031		GM00002165	SCREW 3X18 PT	2				
032		GM00002301	SWITCH HOLDER	1				
033		GM00002302	LEAD UNIT	1				
034		GM00002140	SWITCH PCBA ASSY	1				
035		GM00002141	SWITCH ASSY	1				
036		GM00002300	HANDLE ASSY	1				
037		GM00002165	SCREW 3X18 PT	7				
038		GM00002298	MID-BODY ASSY	1				
	D10		INC. 39-45					
039		GM00002258	LATCH A	1				
040		GM00002257	LATCH B	1				
041		GM00002256	SHAFT B	1				
042		GM00002255	SHAFT A	2				
043		GM00002309	SPRING	1				
044		GM00002299	LATCH O-RING	1				
045		GM00002310	XGT LABEL	1				
046		GM00002137	INSIDE-HEX SCREW	1				
047		GM00002137	INSIDE-HEX SCREW	1				
048		GM00002297	TERMINAL HOLDING PLATE O-RING	1				
049		GM00002295	XGT TERMINAL ASSY	1				
050		GM00002296	LXT TERMINAL ASSY	1				
051		GM00002294	TERMINAL HOLDING PLATE ASSY	1				
052		GM00002165	SCREW 3X18 PT	4				
053		GM00002306	SILICONE SHEET	1				
054		GM00002292	MAIN PCBA ASSY	1				
055		GM00001332	SCREW 3 X 8 PB	2				
056		GM00002320	EVA	1				
057		GM00002319	POWER CASE	1				
058		GM00002165	SCREW 3X18 PT	4				
059		GM00002293	HOUSING CONNECTOR	1				
A01		GM00002312	ANTI-GLARE FILM	1			Y08717	
A02		GM00002073	TRIPOD	1			Y08717	
A03		GM00001396	WISE	1			Y08717	

Interchange
O : Yes
X : No
< : the new part can be substituted for the current.
> : the current part can be substituted for the new.
S : Interchangeable as a set.