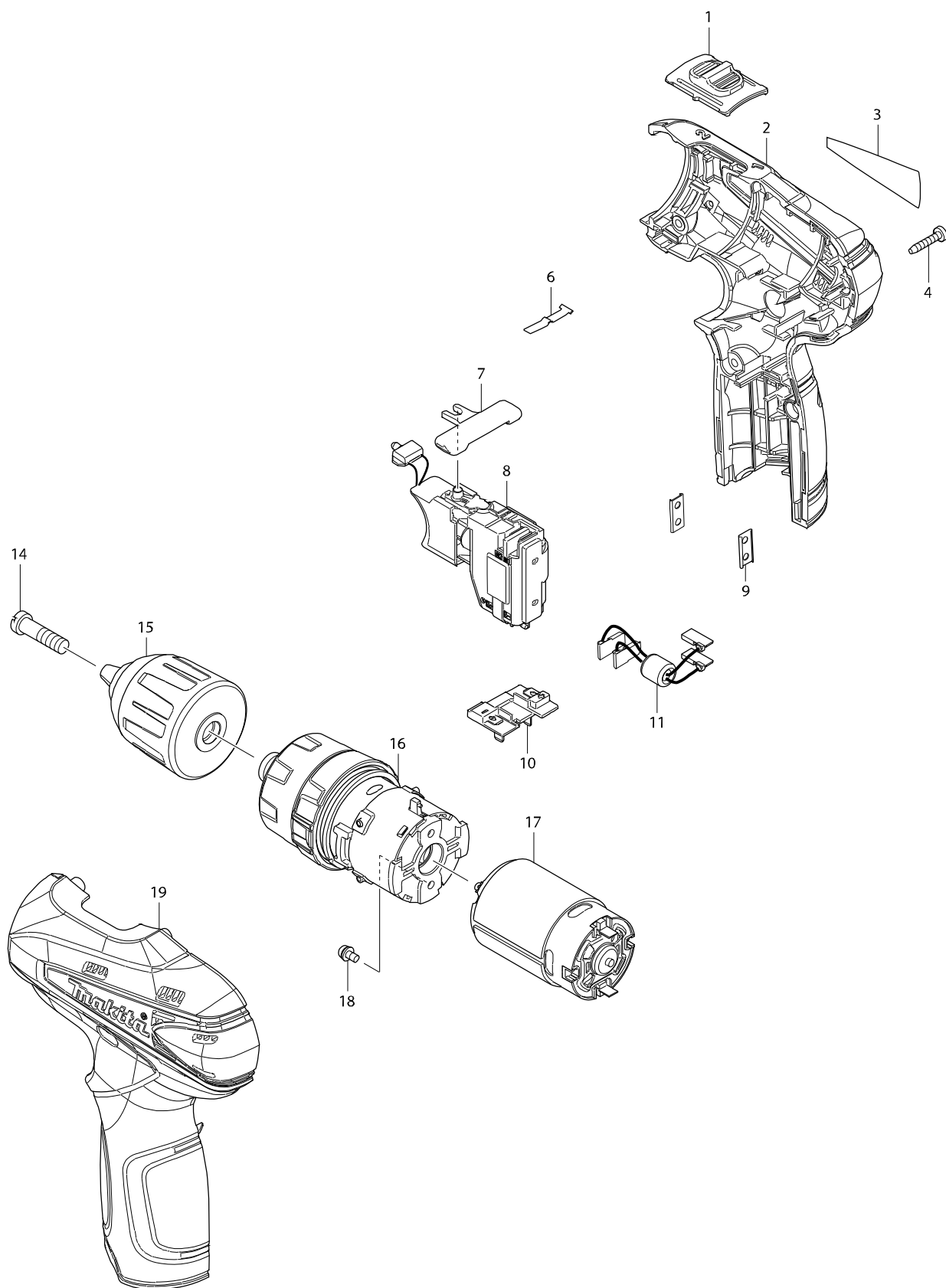


Číslo typu HP330D CORDLESS HAMMER DRIVER DRILL



Položka	Číslo dílu	Popis	Změn	Množstv	N/O	Možnost 1	Možnost 2	Poznámka
001	126233-0	SPEED CHANGE LEVER ASSEMBLY		1				
C10	231433-0	vinutá pružina		2				
002	187359-3	HOUSING SET		1				
D10		INC. 19						
003	897342-9	HP330D NAME PLATE		1				
004	266429-2	TAPPING SCREW 3X16		6				
006	232239-9	listová pružina		1				
007	450504-6	přepínací páčka DF030DWE		1				
008	650691-3	SWITCH C3HW-3A-EF1M		1				
009	345998-7	plech nastavení DF030DWE/TD090DWE		2				
010	643830-2	koncovka		1				
011	638929-6	LINE FILTER UNIT		1				
014	251468-5	šroub MT065		1				
015A	766003-1	sklíčidlo 10mm orig. 8271-8281DWAE=n		1	*			
015B	766003-1	sklíčidlo 10mm orig. 8271-8281DWAE=n		1	*			
015C	766003-1	sklíčidlo 10mm orig. 8271-8281DWAE=n		1	*			
015D	766003-1	sklíčidlo 10mm orig. 8271-8281DWAE=n		1	*			
015F	766003-1	sklíčidlo 10mm orig. 8271-8281DWAE=n		1	*			
015-1A	763229-6	KEYLESS DRILL CHUCK 10	<	1				
015-1B	763229-6	KEYLESS DRILL CHUCK 10	<	1				
015-1C	763229-6	KEYLESS DRILL CHUCK 10	<	1				
015-1D	763229-6	KEYLESS DRILL CHUCK 10	<	1				
015-1F	763229-6	KEYLESS DRILL CHUCK 10	<	1				
015-1H	763229-6	KEYLESS DRILL CHUCK 10		1				
016A	126148-1	GEAR ASSEMBLY		1	*			
016B	126148-1	GEAR ASSEMBLY		1	*			
016C	126148-1	GEAR ASSEMBLY		1	*			
016D	126148-1	GEAR ASSEMBLY		1	*			
016F	126148-1	GEAR ASSEMBLY		1	*			
016-1A	123502-0	GEAR ASS'Y	O	1				
016-1B	123502-0	GEAR ASS'Y	O	1				
016-1C	123502-0	GEAR ASS'Y	O	1				
016-1D	123502-0	GEAR ASS'Y	O	1				
016-1F	123502-0	GEAR ASS'Y	O	1				
016-1H	123502-0	GEAR ASS'Y		1				
017	629962-9	motor DC10,8 V		1				
018	911003-8	šroub M3x6		2				
019	187359-3	HOUSING SET		1				
D10		INC. 2						
020A	533020-4	LEAD ASS'Y		1				
020B	533020-4	LEAD ASS'Y		1				
020C	533020-4	LEAD ASS'Y		1				
020D	533020-4	LEAD ASS'Y		1				
020F	533020-4	LEAD ASS'Y		1				
020H	533020-4	LEAD ASS'Y		1				
021A	533019-9	LEAD ASS'Y		1				
021B	533019-9	LEAD ASS'Y		1				
021C	533019-9	LEAD ASS'Y		1				

Položka	Číslo dílu	Popis	Změn	Množstv	N/O	Možnost 1	Možnost 2	Poznámka
021D	533019-9	LEAD ASS'Y		1				
021F	533019-9	LEAD ASS'Y		1				
021H	533019-9	LEAD ASS'Y		1				
A01A	168467-9	pouzdro		1				
A01C	168467-9	pouzdro		1				
A01D	168467-9	pouzdro		1				
A01F	168467-9	pouzdro		1				
A01H	168467-9	pouzdro		1				
A02A	***DC10WA	DC10WA BATTERY CHARGER		1				
A02C	***DC10WA	DC10WA BATTERY CHARGER		1				
A02D	***DC10WA	DC10WA BATTERY CHARGER		1				
A02F	***DC10WA	DC10WA BATTERY CHARGER		1				
A02H	***DC10WA	DC10WA BATTERY CHARGER		1				
A03A	194550-6	baterie BL1013 10,8V/1,3Ah Li-Ion		2				
A03C	194550-6	baterie BL1013 10,8V/1,3Ah Li-Ion		2				
A03D	194550-6	baterie BL1013 10,8V/1,3Ah Li-Ion		2				
A03F	194550-6	baterie BL1013 10,8V/1,3Ah Li-Ion		2				
A03H	194550-6	baterie BL1013 10,8V/1,3Ah Li-Ion		2				
A04A	784203-1	bit Ph 2-65		1				
A04C	784203-1	bit Ph 2-65		1				
A04D	784203-1	bit Ph 2-65		1				
A04F	784203-1	bit Ph 2-65		1				
A04H	D-52320	74PCS. BIT SET, MM, TYPE MZ		1				
A05A	824781-0	PLASTIC CASE		1				
A05C	824781-0	PLASTIC CASE		1				
A05D	824781-0	PLASTIC CASE		1				
A05F	824781-0	PLASTIC CASE		1				
A05H	824781-0	PLASTIC CASE		1				
A06A	821525-9	PLASTIC CARRYING CASE		1				
C10	417724-5	sponka ke kufru 6317DW		2				
A06C	821549-5	systemer Makpac 395x295x105mm		1	*			
C10	453974-8	LATCH		4	*			
A06D	821525-9	PLASTIC CARRYING CASE		1				
C10	417724-5	sponka ke kufru 6317DW		2				
A06F	821549-5	systemer Makpac 395x295x105mm		1				
C10	453974-8	LATCH		4				
A06H	821634-4	PLASTIC CASE		1				
C10	455522-9	SLIDE LATCH		2				
C20	452143-8	SHAFT		2				
A06-1C	821549-5	systemer Makpac 395x295x105mm	<	1				
C10	453974-8	LATCH		4				
A07A	800A89-2	HP330DWE PLASTIC CASE LABEL		2				
A07C	837663-7	INNER TRAY		1	*			
A07D	800A92-3	HP330DWLE PLASTIC CASE LABEL		2				
A07F	837866-3	INNER TRAY		1				
A07-1C	837866-3	INNER TRAY	<	1				
A08C	800X98-9	HP330DWJ INDICATION LABEL		1				
A08D	DEZML100	RECHARGEABLE FLASH LIGHT(BULK)		1				

