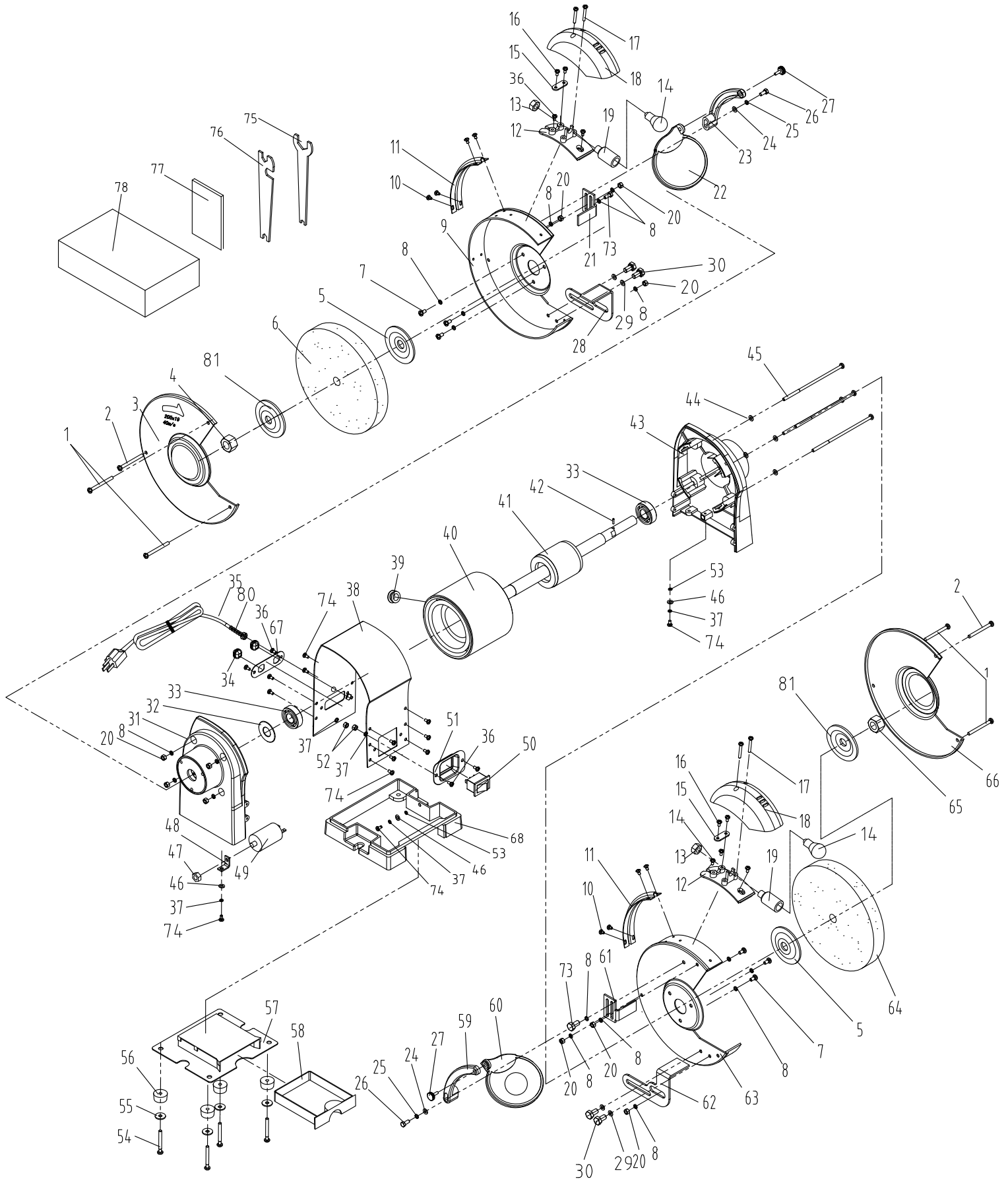


8" BENCH GRINDER PARTS DIAGRAM



8" Bench Grinder Spare Parts List

Serial No.	Maki ta No.	Description	Specification	Qty
1	AL00000144	Philip screw	M5X51	4
2	AL00000107	Philip screw	M5X55	2
3	AL00000057	Left wheel cover		1
4	AL00000058	I type Hex nut	M16Left	1
5A	AL00000063	Inner Grinder flange		2
5	AL00000182	Inner Grinder flange		2
6	A-47260	Grinding wheel(WA 60#)	f 205X19Xf 15.88	1
6B	N/A	Grinding wheel(WA 60#)	f 205X19Xf 15.88	1
7	AL00000111	Philip screw	M5X12	6
8	AL00000132	Standard spring washer	flat washer5	18
9	AL00000064	Left wheel guard (inner)		1
10	AL00000114	LittlePhilip screw	M4X6	8
11	AL00000065	Cord press clip		2
12	AL00000008	Lamp cover base		2
13	AL00000009	Lamp holder fixed nut		2
14	AL00000013	Bulb	12V/10W	2
15	AL00000010	Strain relief		2
16	AL00000104	Philip screw	M4X10	4
17	AL00000105	Philip screw	M4X30	4
18	AL00000011	Lamp cover assy		2
19	AL00000012	Lamp Assy		2
20	AL00000121	I type Hex nut	M5	10
21	AL00000066	Left spark shield		1
22	AL00000016	Eyeshield assy		1
23	AL00000015	Left eyeshield mounting rod		1
24	AL00000127	Flat Washer	flat washer6	2
25	AL00000133	Standard spring washer	flat washer6	2
26	AL00000119	Hex Bolt	M6X30	2
27	AL00000014	Eyeshield Locked knob	M4X12	2
28	AL00000067	Left work rest		1
29	AL00000128	Flat Washer	flat washer8	4
30	AL00000118	Hex Bolt	M8X10	4
31	AL00000074	Left end cap		1
32	AL00000073	wave spring washer	D47	1
33	AL00000101	ball bearing	180204	2
34	AL00000026	Cord clip		2
35	AL00000171	Wire with plug		1
35B	AL00000173	Wire with plug		1
35C	AL00000176	Wire with plug		1
35D	AL00000179	Wire with plug		1
35E	AL00000025	Wire with plug		1
35F	AL00000174	Wire with plug		1
35G	AL00000177	Wire with plug		
35H	AL00000170	Wire with plug		
35I	AL00000178	Wire with plug		
35J	AL00000172	Wire with plug		
35K	AL00000142	Wire with plug		
35L	AL00000175	Wire with plug		

35M	AL00000142	Wire with plug		
35N	AL00000142	Wire with plug		
36	AL00000103	Philip screw	M4X8	8
37	AL00000131	Standard spring washer	flat washer 4	7
38A	AL00000072	Motor housing		1
38	AL00000184	Motor housing		1
39	AL00000022	Wire bushing		1
40A	AL00000071	Stator		1
40B	AL00000150	Stator		1
40C	AL00000151	Stator		1
40	AL00000190	Stator		1
40E	AL00000188	Stator		1
40F	AL00000189	Stator		1
41A	AL00000070	Rotor		1
41	AL00000191	Rotor		1
42	AL00000135	Roll Pin	3X8	2
43	AL00000069	Right end cap		1
44	AL00000126	Flat Washer	flat washer5	4
45	AL00000068	Philip Screw	M5X142	4
46	AL00000146	Flat Washer	flat washer4	3
47	AL00000122	I type Hex nut	M8	1
48	AL00000029	Capacitor support		1
49	AL00000099	Capacitor	10uF/450V	1
49B	AL00000140	Capacitor	25uF/300V	1
49C	AL00000075	Capacitor	30uF/300V	1
50A	AL00000168	Switch	HY12	1
50	AL00000168	Switch	HY12	1
51	AL00000031	Switch board		1
52	AL00000120	I type Hex nut	M4	4
53	AL00000134	Tooth Locked Washer	flat washer4	2
54	AL00000112	Philip Screw	M5X45	4
55	AL00000130	Big Flat Washer	flat washer5	4
56	AL00000083	Rubber foot		4
57	AL00000081	Coolant tray plate assy.		1
58	AL00000080	Coolant tray		1
59	AL00000038	Right eyeshield mounting rod		1
60	AL00000037	Magnifying glass Assy		1
61	AL00000079	Right spark shield		1
62	AL00000085	Right work rest		1
63	AL00000084	Right wheel guard(inner)		1
64	A-47254	Grinding wheel(GC 120#)	f 205X19Xf 15.88	1
65	AL00000078	I type Hex nut	M16	1
66	AL00000077	Right wheel cover		1
67	AL00000192	Cord Clip Plate		1
67B	AL00000024	Cord Clip Plate		1
68	AL00000076	Base		1
69	AL00000062	Outer Grinder flange		2
70	AL00000061	Counter Balance		4
71	AL00000060	Balance plate		2
72	AL00000059	Philip Screw	M5X5	2
73	AL00000115	Hex Bolt	M5X10	2

74	AL00000108	Philip Screw	Zinc plating M4X8	13
75	AL00000087	Hex wrench I		1
76	AL00000086	Hex wrench II		1
77A	AL00000162	MANUAL-ENGLISH CE		1
77B	AL00000163	MANUAL-CHINESE		1
77C	AL00000164	MANUAL-KOREA		1
77D	AL00000165	MANUAL-TAIWAN		1
77E	AL00000166	MANUAL-NORTH AM(3)		1
77F	AL00000137	MANUAL-BRAZIL		1
77	AL00000167	MANUAL-ERO 8		1
78	AL00000088	Package		1
79	AL00000147	EYESHIELD		1
80	AL00000180	Strain relief		1
81	AL00000181	Wheel Flange		2