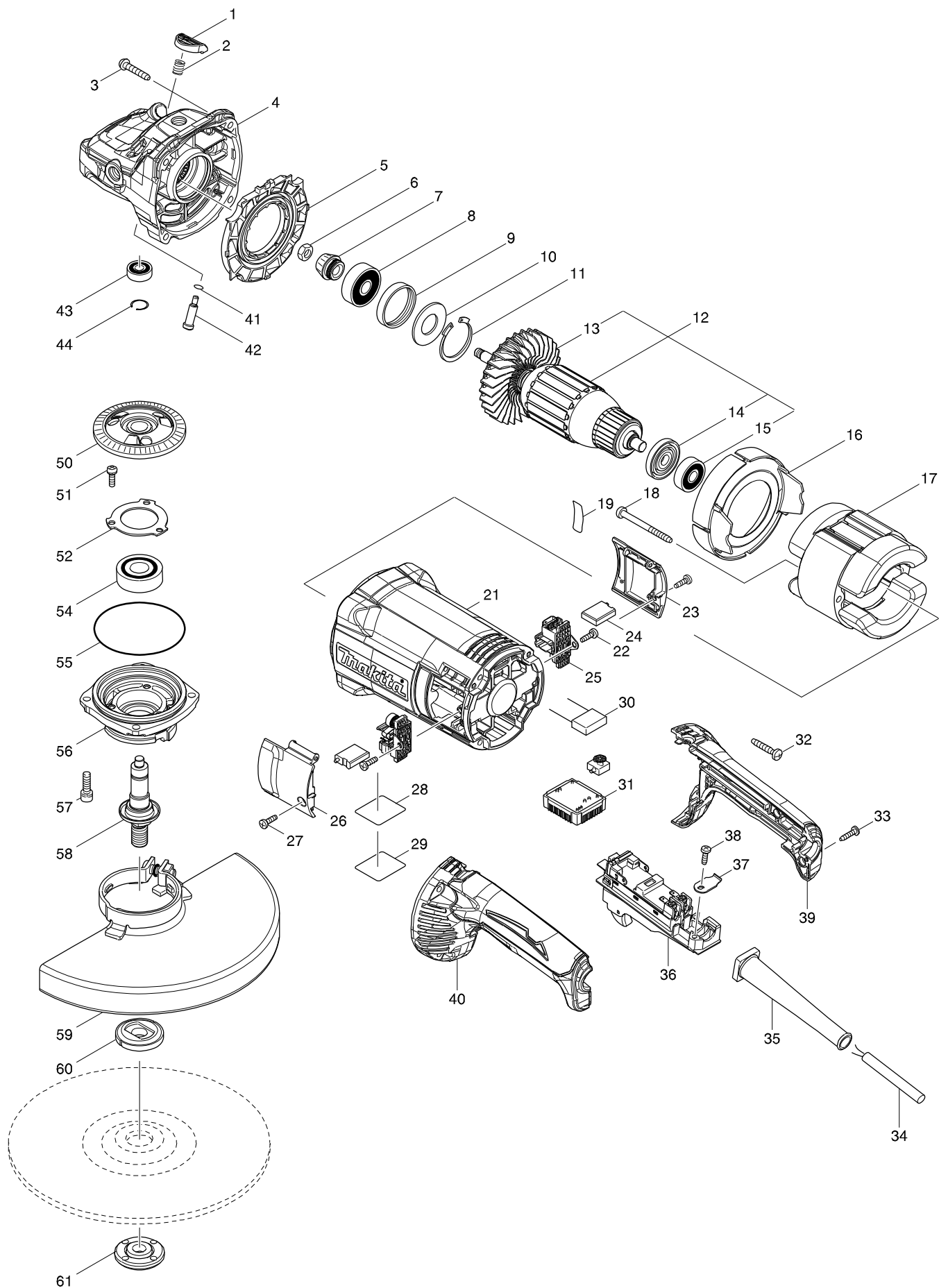


Číslo typu GA9060R 230MM ANGLE GRINDER



| Položka | Číslo dílu | Popis | Změn | Množství | N/O | Prodej | Nákup | Poznámka |
|---------|------------|-------------------------------|------|----------|-----|--------|-------|----------|
| 001 | 456247-8 | PIN CAP | | 1 | | | | |
| 002 | 234391-9 | COMPRESSION SPRING 8 | | 1 | | | | |
| 003 | 251489-7 | TAPPING SCREW 5X30 | | 4 | | | | |
| 004 | 143485-8 | GEAR HOUSING COMPLETE | | 1 | | | | |
| C10 | 263002-9 | RUBBER PIN 4 | | 1 | | | | |
| 005 | 456238-9 | DIFFUSER | | 1 | | | | |
| 006 | 252194-9 | HEX. NUT M8 | | 1 | | | | |
| 007 | 227652-4 | SPIRAL BEVEL GEAR 13 | | 1 | | | | |
| 008 | 211132-0 | BALL BEARING 6301DDW | | 1 | | | | |
| 009 | 262085-6 | RUBBER RING 38 | | 1 | | | | |
| 010 | 267299-2 | FLAT WASHER 20 | | 1 | | | | |
| 011 | 962211-4 | RETAINING RING R-42 | | 1 | | | | |
| 012 | 513448-2 | ARMATURE ASS'Y 220V | | 1 | | | | |
| D10 | | INC. 13-15 | | | | | | |
| 013 | 240161-6 | FAN 86 | | 1 | | | | |
| 014 | 681630-2 | INSULATION WASHER | | 1 | | | | |
| 015 | 211087-9 | BALL BEARING 6200DDW | | 1 | | | | |
| 016 | 456239-7 | BAFFLE PLATE | | 1 | | | | |
| 017 | 621779-6 | FIELD 240V | | 1 | | | | |
| 018 | 266044-2 | TAPPING SCREW 5X60 | | 2 | | | | |
| 019 | 851V25-7 | GA9060R SERIAL NO. LABEL | | 1 | | | | |
| 021 | 456240-2 | MOTOR HOUSING | | 1 | | | | |
| 022 | 266192-7 | TAPPING SCREW 4X14 | | 2 | | | | |
| 023 | 143950-7 | BRUSH HOLDER COVER R COMPLETE | | 1 | | | | |
| 024 | 197129-2 | CARBON BRUSH CB-218 | | 1 | | | | |
| 025 | 643714-4 | BRUSH HOLDER | | 2 | | | | |
| 026 | 143949-2 | BRUSH HOLDER COVER L COMPLETE | | 1 | | | | |
| 027 | 266192-7 | TAPPING SCREW 4X14 | | 2 | | | | |
| 028 | 851V22-3 | GA9060R NAME PLATE | | 1 | | | | |
| 029 | 809R72-8 | CLEAR LABEL | | 1 | | | | |
| 030 | 645088-9 | NOISE SUPPRESSOR | | 1 | | | | |
| 031 | 620470-3 | CONTROLLER | | 1 | | | | |
| 032 | 251489-7 | TAPPING SCREW 5X30 | | 4 | | | | |
| 033 | 265995-6 | TAPPING SCREW 4X18 | | 2 | | | | |
| 034 | 695107-1 | POWER SUPPLY CORD 1.5-2-2.5 | | 1 | | | | |
| 035 | 682573-1 | CORD GUARD 10 | | 1 | | | | |
| 036 | 632F79-5 | SWITCH UNIT | | 1 | | | | |
| 037 | 687169-3 | STRAIN RELIEF | | 1 | | | | |
| 038 | 266192-7 | TAPPING SCREW 4X14 | | 1 | | | | |
| 039 | 183C62-2 | HANDLE SET | | 1 | | | | |
| D10 | | INC. 40 | | | | | | |
| 040 | 183C62-2 | HANDLE SET | | 1 | | | | |
| D10 | | INC. 39 | | | | | | |
| 041 | 213026-5 | O RING 7 | | 1 | | | | |
| 042 | 256571-7 | SHOULDER PIN 7 | | 1 | | | | |
| 043 | 211032-4 | BALL BEARING 608ZZ | | 1 | | | | |
| 044 | 233925-5 | RING SPRING 13 | | 1 | | | | |
| 050 | 227653-2 | SPIRAL GEAR 54 | | 1 | | | | |

