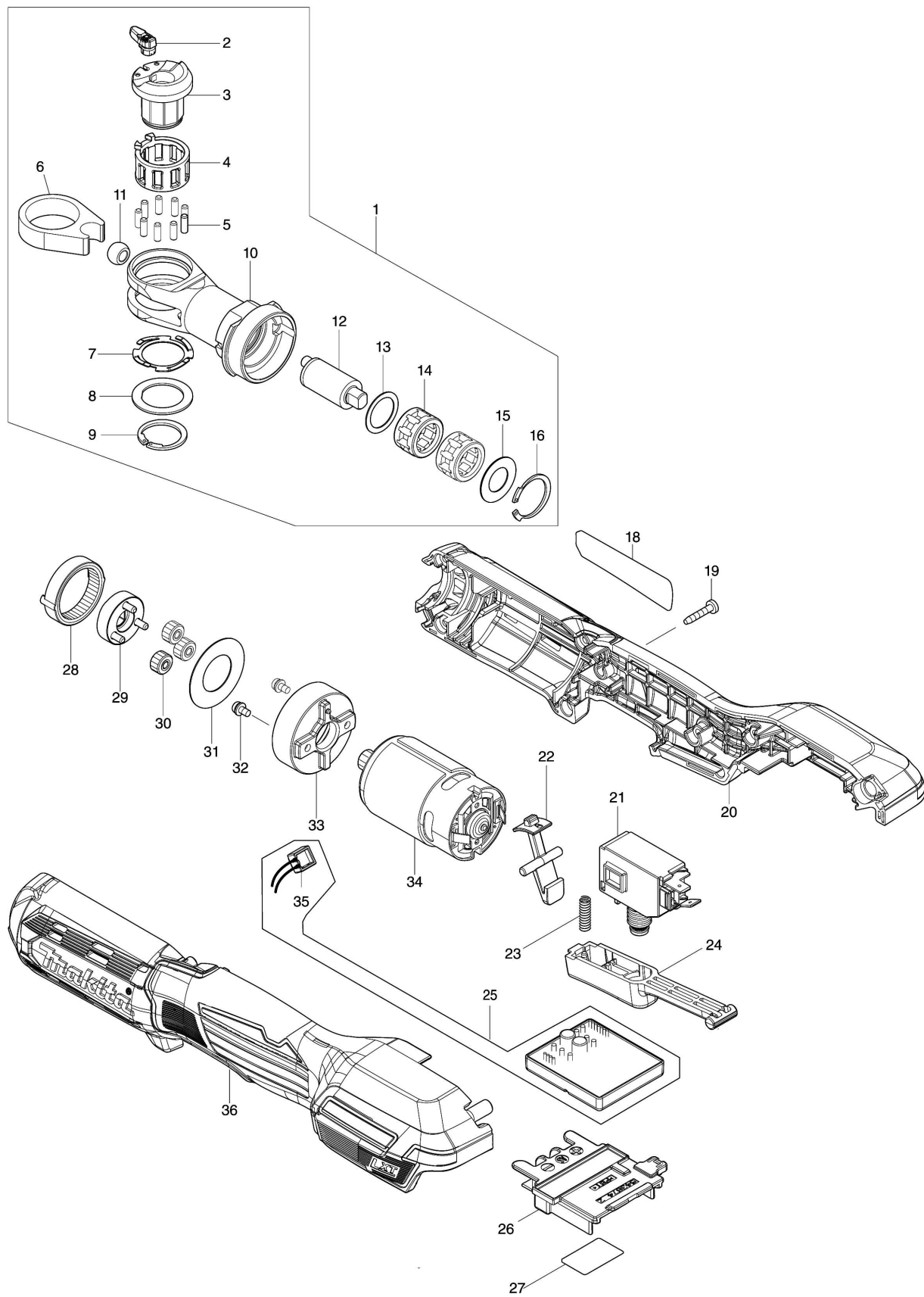


Model No.DWR180 CORDLESS RATCHET WRENCH



Model No.DWR180 CORDLESS RATCHET WRENCH

Položka	Číslo dílu	Popis	Změna	Množství	New/Old	Možnost 1	Možnost 2	Poznámka
001	127297-7	HEAD ASSEMBLY		1	*			
D10		INC. 2-16			*			
001-1	127297-7	HEAD ASSEMBLY	O	1				
002	140K70-4	LEVER COMPLETE		1	*			
003	327360-8	ANVIL		1	*			
004	310954-6	RETAINER RING		1	*			
005	256963-0	PIN 3		9	*			
006	327357-7	RATCHET RING		1	*			
007	232531-3	LEAF SPRING		1	*			
008	253440-3	FLAT WASHER 19		1	*			
009	961078-7	RETAINING RING (EXT) S-18		1	*			
010	327356-9	RATCHET HEAD		1	*			
011	327359-3	BUSH		1	*			
012	327358-5	SPINDLE		1	*			
013	253450-0	FLAT WASHER 15		1	*			
014	212228-0	NEEDLE CAGE 1412		2	*			
015	253449-5	FLAT WASHER 12		1	*			
016	962112-6	RETAINING RING R-22		1	*			
018	857Y46-5	DWR180 NAME PLATE		1				
019	266429-2	TAPPING SCREW 3X16		7				
020	183R89-2	HOUSING SET		1				
C10	263005-3	RUBBER PIN 6		2				
D10		INC. 36						
021	651391-8	SWITCH C3JW-6BM-PN		1				
022	459422-5	LOCK LEVER		1				
023	232353-1	COMPRESSION SPRING 4		1				
024	459421-7	SWITCH LEVER		1				
025	620E21-2	CONTROLLER		1				
D10		INC. 35						
026	643874-2	TERMINAL		1				
027	857Y53-8	DWR180 SERIAL NO. LABEL		1				
028	226897-1	INTERNAL GEAR 41		1				
029	140K71-2	CARRIER COMPLETE		1				
030	226898-9	SPUR GEAR 14		3				
031	267235-8	FLAT WASHER 18		1				
032	265A38-0	P.H.SCREW M3X6 WITH WR		2				
033	310953-8	INTERNAL GEAR CASE		1				
034	629A30-4	DC MOTOR		1				
035	620B10-9	LED CIRCUIT		1				
036	183R89-2	HOUSING SET		1				
C10	263005-3	RUBBER PIN 6		2				
D10		INC. 20						
A01	191A50-3	SOCKET ADAPTOR 9.5 SET		1				
C10	231952-6	RING SPRING 12		1				
A02	191A51-1	SOCKET ADAPTOR 6.35 SET		1				

Model No.DWR180 CORDLESS RATCHET WRENCH

Položka	Číslo dílu	Popis	Změna	Množství	New/Old	Možnost 1	Možnost 2	Poznámka
C10	231952-6	RING SPRING 12		1				
A03B	***DC18RC	DC18RC FAST CHARGER		1				
D10		COMPO-PARTS						
A04B	450128-8	BATTERY COVER		1				
A05B	197254-9	BATTERY BL1820B SET		1				
A06B	832074-1	TOOL BAG		1				

Please order the parts with part number.

Print Date 4/3/2021