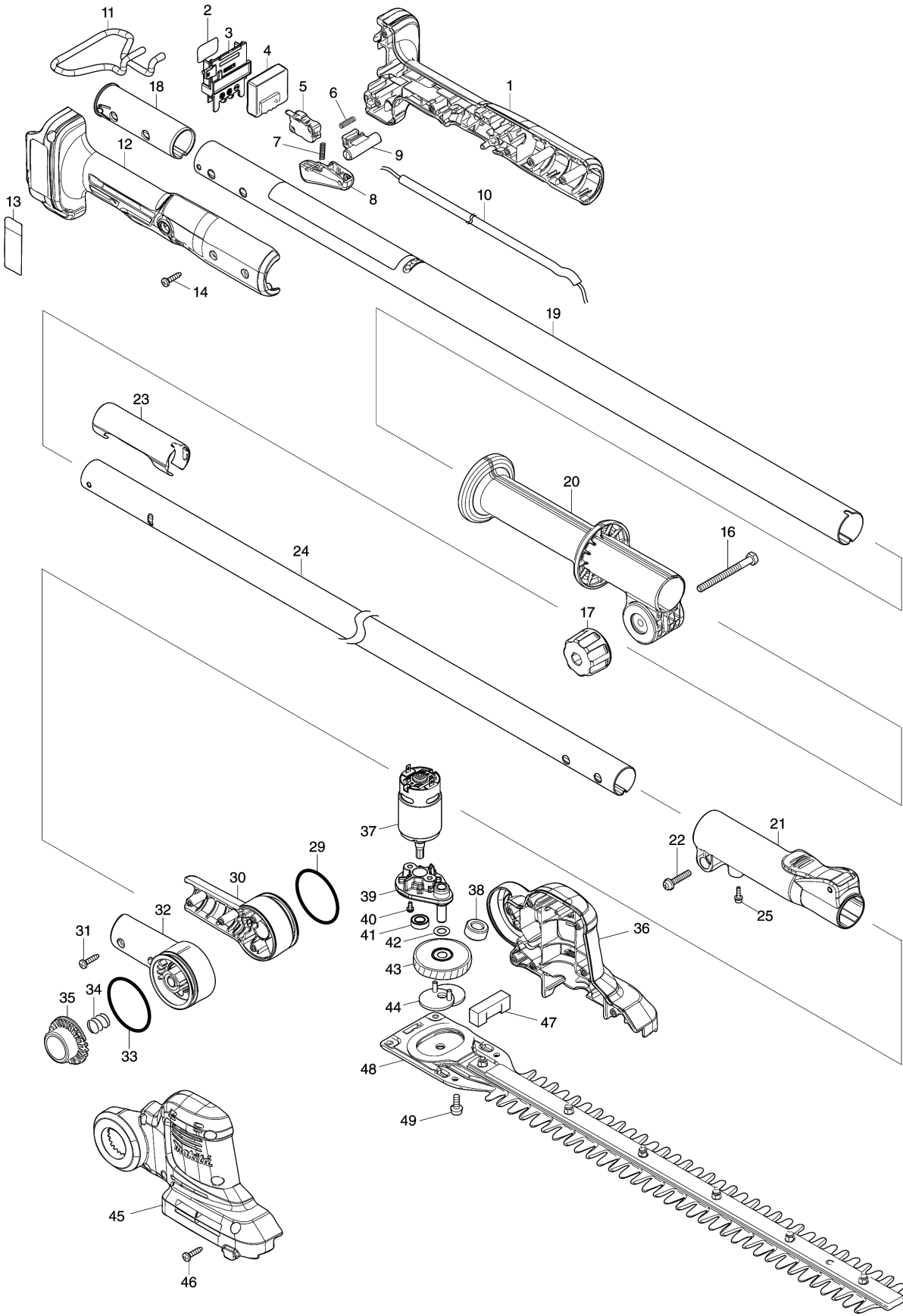


Model No.DUN461W 460MM DC POLE HEDGE TRIMMER



Model No.DUN461W 460MM DC POLE HEDGE TRIMMER

Položka	Číslo dílu	Popis	Změna	Množství	New/Old	Možnost 1	Možnost 2	Poznámka
001	183S96-1	GRIP HOUSING SET		1				
C10	263005-3	RUBBER PIN 6		2				
D10		INC. 12						
002	811M68-7	DUN461W SERIAL NO. LABEL		1				
003	643874-2	TERMINAL		1				
004	620F42-0	CONTROLLER		1				
005	651398-4	SWITCH BMC-1112-001		1				
006	231473-8	COMPRESSION SPRING 4		1				
007	231473-8	COMPRESSION SPRING 4		1				
008	413714-6	SWITCH LEVER		1				
009	413713-8	LOCK OFF BUTTON A		1				
010	699168-3	POWER SUPPLY CORD UNIT		1				
C10	654069-2	RECEPTACLE		2				
011	327810-3	BATTERY GUARD		1				
012	183S96-1	GRIP HOUSING SET		1				
C10	263005-3	RUBBER PIN 6		2				
D10		INC. 1						
013	811M62-9	DUN461W NAME PLATE		1				
014	266326-2	TAPPING SCREW 4X18		6				
016	921362-2	HEX. BOLT M6X40		1				
017	264072-1	THUMB NUT M6		1				
C10	931302-2	HEX. NUT M6		1				
018	413712-0	PIPE CAP 32		1				
019	141B61-4	PIPE 32 COMPLETE		1				
C10	8008A7-9	CAUTION LABEL		1				
C20	808723-2	CAUTION LABEL		1				
020	413719-6	FRONT GRIP A		1				
021	141C39-3	PIPE HOLDER 32 COMPLETE		1				
C10	252103-8	HEX. LOCK NUT M5-8		1				
022	911243-8	PAN HEAD SCREW M5X25		1				
023	413711-2	PIPE CAP 28		1				
024	327815-3	PIPE 28		1				
025	251568-1	H.S.H.BOLT M3X12 WITH WR		1				
029	213616-4	O RING 48		1				
030	183T14-5	PIPE HOLDER SET		1				
D10		INC. 32						
031	266326-2	TAPPING SCREW 4X18		4				
032	183T14-5	PIPE HOLDER SET		1				
D10		INC. 30						
033	213616-4	O RING 48		1				
034	231113-8	COMPRESSION SPRING 12		1				
035	413715-4	LOCK OFF BUTTON B		1				
036	183T13-7	MOTOR HOUSING SET		1				
C10	263005-3	RUBBER PIN 6		4				
D10		INC. 45						

Model No.DUN461W 460MM DC POLE HEDGE TRIMMER

Položka	Číslo dílu	Popis	Změna	Množství	New/Old	Možnost 1	Možnost 2	Poznámka
037	629A62-1	DC MOTOR		1				
038	688131-1	LINE FILTER		1				
039	141B58-3	MOTOR HOLDER COMPLETE		1				
040	265199-0	+ PAN HEAD SCREW M3X8		2				
041	210124-6	BALL BEARING 688ZZ		1				
042	253215-0	FLAT WASHER 8		1				
043	141B59-1	GEAR COMPLETE		1				
044	165734-3	CRANK		1				
045	183T13-7	MOTOR HOUSING SET		1				
C10	263005-3	RUBBER PIN 6		4				
D10		INC. 36						
046	266326-2	TAPPING SCREW 4X18		7				
047	424958-3	SPONGE SEAL		1				
048	191P00-8	SHEAR BLADE 460 ASSEMBLY SET		1				
C10	188369-3	OIL VESSEL SET		1				
049	265074-0	PAN HEAD SCREW M5X16		4				
A01	413720-1	BLADE COVER		1				
A02B	***DC18SD	DC18SD BATTERY CHARGER		1				
D10		COMPO-PARTS						
A03B	197600-6	BATTERY BL1830B SET		1				
A04B	450128-8	BATTERY COVER		1				
E01	800A44-4	SOUND 88DB LABEL		1				

Please order the parts with part number.

Print Date 28/7/2021