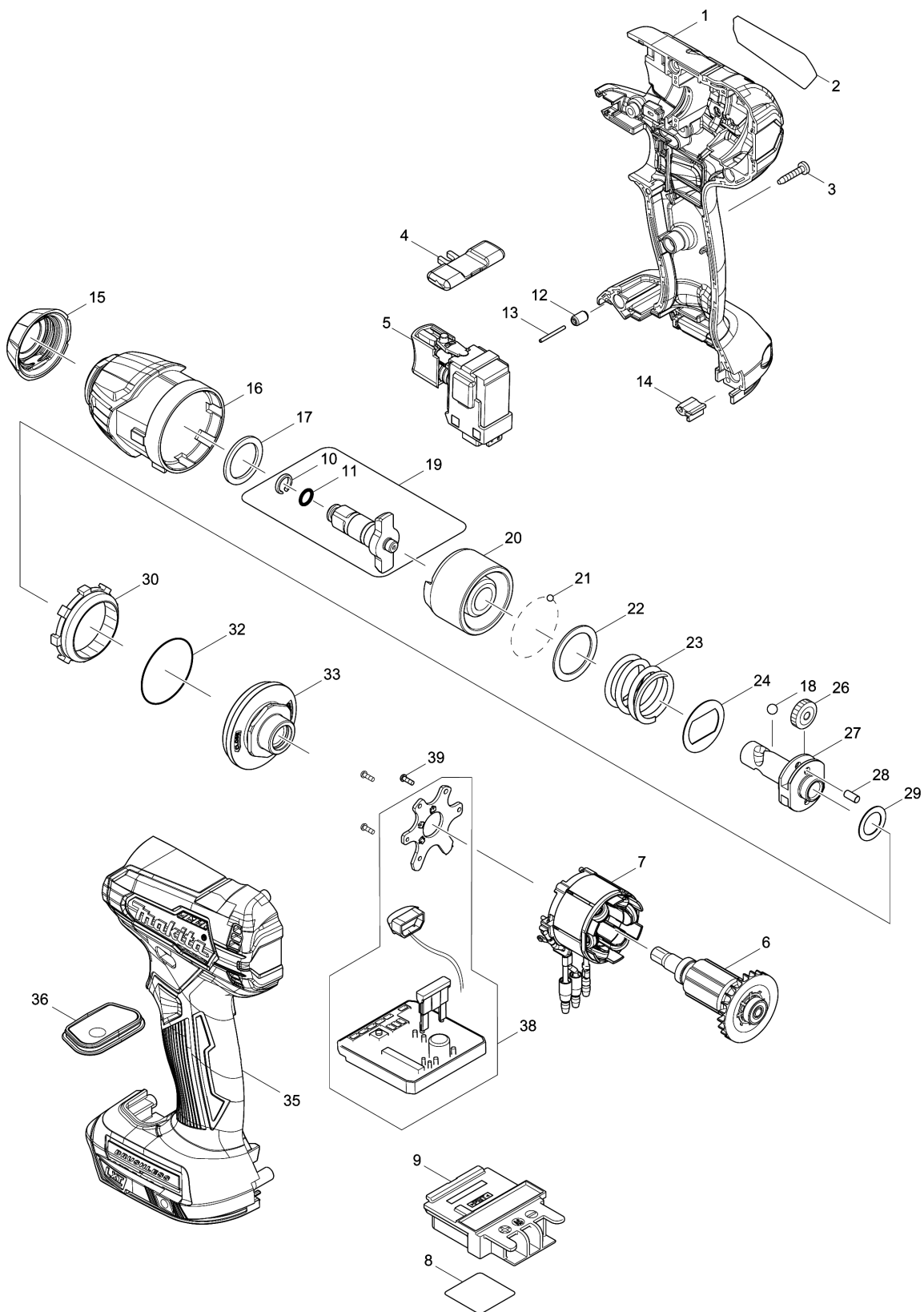


Model No.DTW180 CORDLESS IMPACT WRENCH



Model No.DTW180 CORDLESS IMPACT WRENCH

Položka	Číslo dílu	Popis	Změna	Množství	New/Old	Prodej	Nákup	Poznámka
001	183J24-2	HOUSING SET		1		271.00		
C10	263005-3	RUBBER PIN 6		2		8.00		
C20	252126-6	HEX. LOCK NUT M4-7		2				
D10		INC. 35						
002	854D82-6	DTW180 NAME PLATE		1				
003	266429-2	TAPPING SCREW 3X16		9		5.00		
004	455053-8	F/R CHANGE LEVER		1		20.00		
005	143975-1	SWITCH COMPLETE		1		369.00		
C10	424890-1	SWITCH COVER		1				
006	619491-0	ROTOR		1	*	468.00		
006-1	619491-0	ROTOR	O	1		468.00		
007	629334-8	STATOR		1		222.00		
008	854D86-8	DTW180 SERIAL NO. LABEL		1				
009	643860-3	TERMINAL		1		74.00		
010	233943-3	RING SPRING 8		1				
011	213960-9	O RING 5		1		8.00		
012	263036-2	RUBBER PIN 5		1		23.00		
013	268284-8	PIN 1.5		1				
014	424517-3	CUSHION		1		10.00		
015	422228-4	BUMPER		1		15.00		
016	144823-7	HAMMER CASE COMPLETE		1		148.00		
C10	213166-9	O RING 12.5		1				
017	261159-0	NYLON WASHER 19		1				
018	216002-8	STEEL BALL 4.8		2		8.00		
019	135932-3	ANVIL ASS'Y		1		123.00		
D10		INC. 10,11						
020	327045-6	HAMMER		1		172.00		
021	216019-1	STEEL BALL 3		24		8.00		
022	267352-4	FLAT WASHER 22		1		8.00		
023	232410-5	COMPRESSION SPRING 21		1		49.00		
024	267813-4	WASHER 21		1		5.00		
026	221437-0	SPUR GEAR 17		2		86.00		
027	327046-4	SPINDLE		1		111.00		
028	268217-3	PIN 3.5		2		6.00		
029	253052-2	FLAT WASHER 12		1		15.00		
030	227316-0	INTERNAL GEAR 43		1		62.00		
032	213479-8	O RING 33		1		15.00		
033A	144829-5	BEARING BOX COMPLETE		1	*	86.00		
033B	144829-5	BEARING BOX COMPLETE		1	*	86.00		
033-1A	140G75-0	BEARING BOX COMPLETE	O	1				
033-1B	140G75-0	BEARING BOX COMPLETE	O	1				
033-1C	140G75-0	BEARING BOX COMPLETE		1				
035	183J24-2	HOUSING SET		1		271.00		
C10	263005-3	RUBBER PIN 6		2		8.00		
C20	252126-6	HEX. LOCK NUT M4-7		2				

Model No.DTW180 CORDLESS IMPACT WRENCH

Položka	Číslo dílu	Popis	Změna	Množství	New/Old	Prodej	Nákup	Poznámka
D10		INC. 1						
036	144828-7	SWITCH PLATE COMPLETE		1		37.00		
038	620743-4	CONTROLLER		1		1,329.00		
039	266490-9	TAPPING SCREW PT 2X6		3		5.00		
A01	346317-0	HOOK		1		37.00		
A02	266622-8	+ TRUSS HEAD SCREW M4X12		1		5.00		
A03B	***DC18RC	DC18RC FAST CHARGER		1				
A03C	***DC18RC	DC18RC FAST CHARGER		1				
A04B	197600-6	BATTERY BL1830B SET		2	*			
A04C	197280-8	BATTERY BL1850B SET		2	*	2,990.00		
A04-1B	197600-6	BATTERY BL1830B SET	O	2				
A04-1C	197280-8	BATTERY BL1850B SET	O	2		2,990.00		
A05B	450128-8	BATTERY COVER		1		37.00		
A05C	450128-8	BATTERY COVER		1		37.00		
A06B	821550-0	CONNECTOR PLASTIC CASE (TYPE2)		1		899.00		
C10	453974-8	LATCH		4		10.00		
A06C	821550-0	CONNECTOR PLASTIC CASE (TYPE2)		1		899.00		
C10	453974-8	LATCH		4		10.00		
A07B	837670-0	INNER TRAY		1		148.00		
A07C	837670-0	INNER TRAY		1		148.00		
A08B	816U15-1	DTW180RFJ INDICATION LABEL		1				
A08C	816U17-7	DTW180RTJ INDICATION LABEL		1				
A09B	816U16-9	DTW180RFJ PLASTIC CASE LABEL		2				
A09C	816U18-5	DTW180RTJ PLASTIC CASE LABEL		2				

Please order the parts with part number.

Print Date 2/8/2021