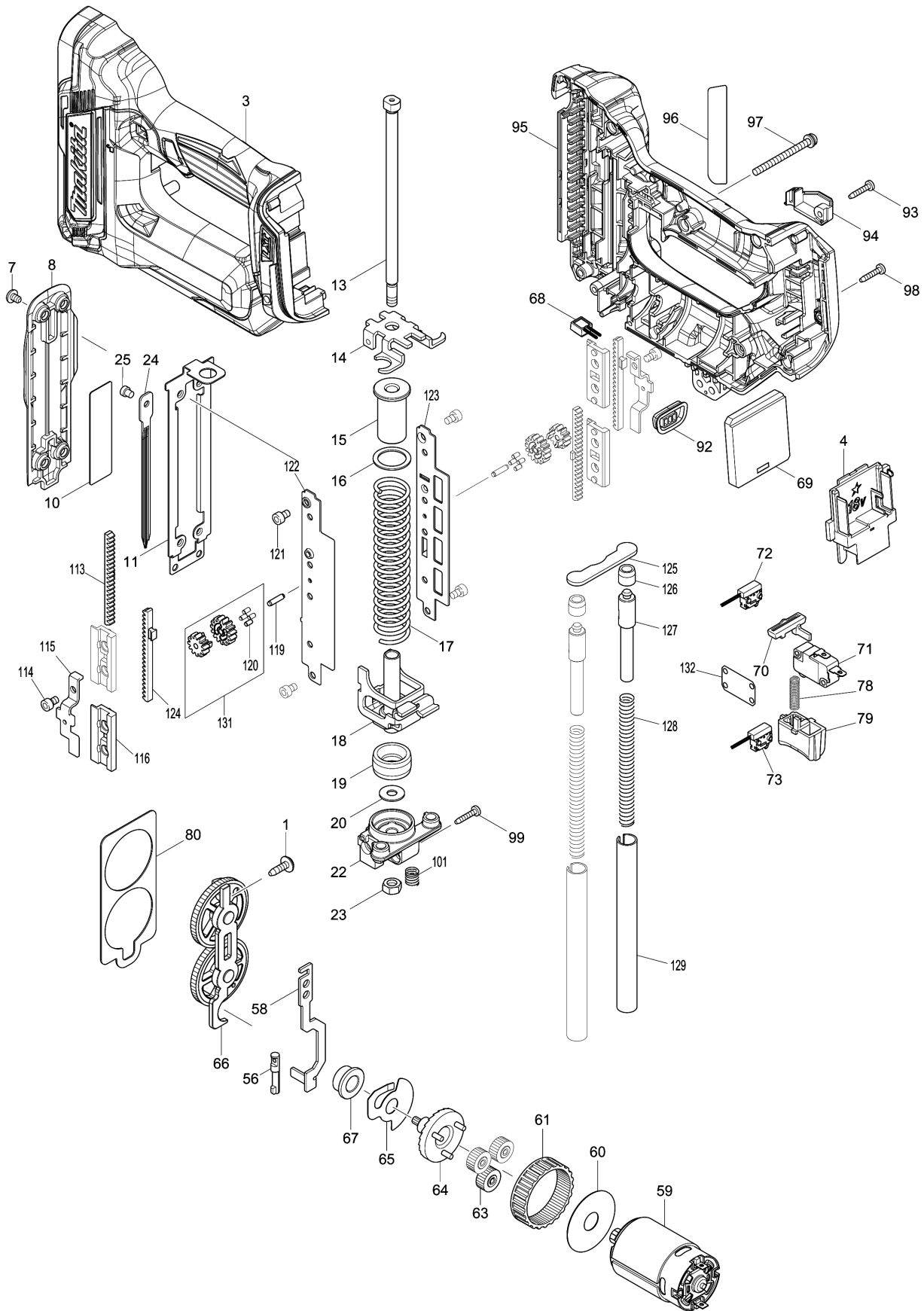
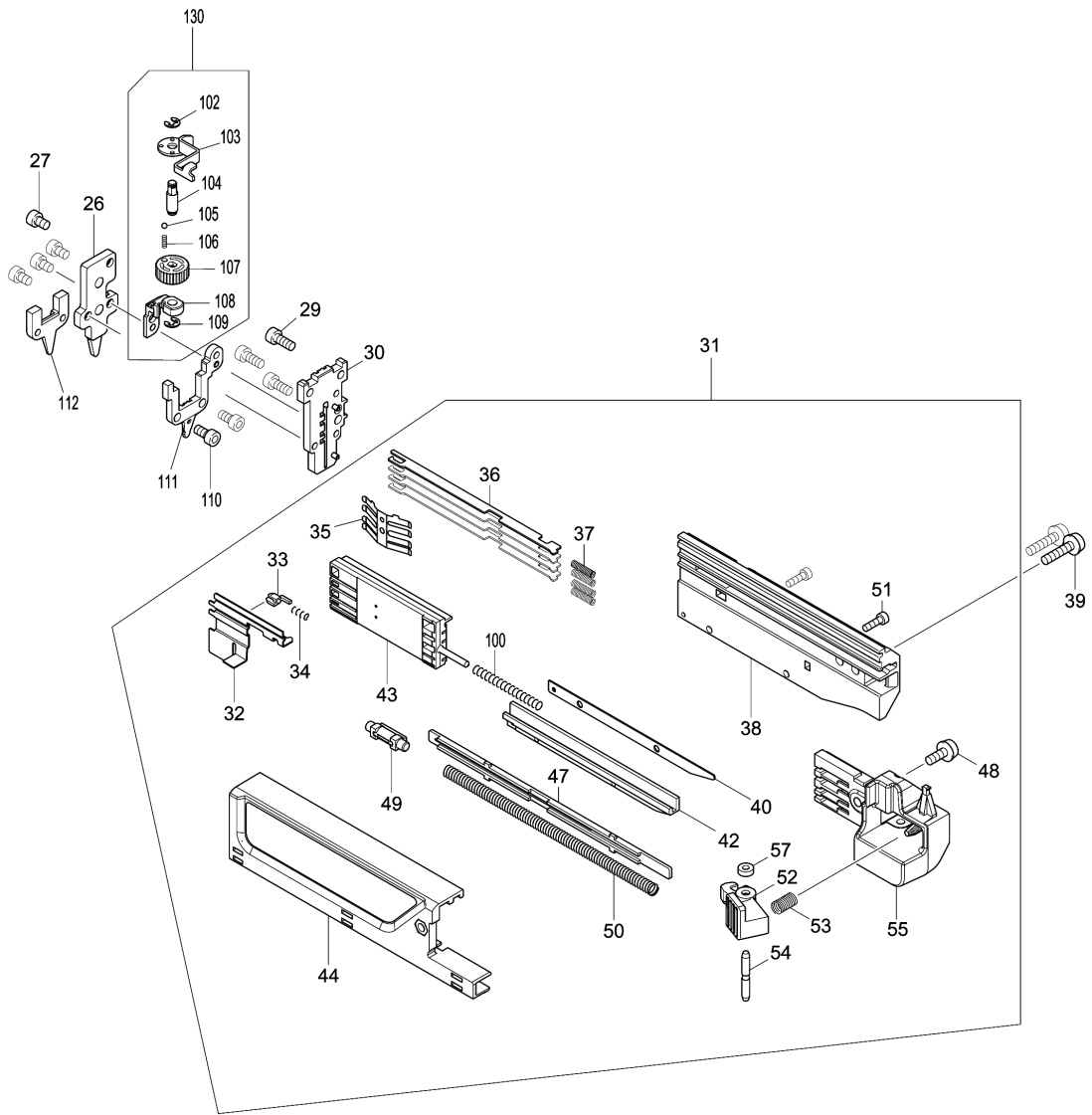


Model No.DPT353 CORDLESS PIN NAILER



Model No.DPT353 CORDLESS PIN NAILER



Model No.DPT353 CORDLESS PIN NAILER

Položka	Číslo dílu	Popis	Změna	Množství	New/Old	Možnost 1	Možnost 2	Poznámka
001	266901-4	TAPPING SCREW 4X14		1				
003	183F93-9	HOUSING SET		1				
C10	263005-3	RUBBER PIN 6		2				
C20	252126-6	HEX. LOCK NUT M4-7		2				
C30	931102-0	HEX. NUT M4		1				
D10		INC. 95						
004	643860-3	TERMINAL		1				
007	915101-0	BINDING HEAD SCREW M4X6		4				
008	457384-1	FRONT COVER		1	*			
008-1	459308-3	FRONT COVER	S	1				
010	345704-0	UPPER PLATE		1	*			
010-1	347528-0	UPPER PLATE	S	1				
011	347140-6	RAIL		1				
013	326903-3	GUIDE BOLT		1				
014	347143-0	BOTTOM PLATE		1	*			
014-1	347671-5	BOTTOM PLATE	S	1				
015	457389-1	SPRING HOLDER		1				
016	347148-0	SPRING BASE		1				
017	232364-6	COMPRESSION SPRING 17		1				
018	347141-4	HAMMER		1				
019	424952-5	CUSHION		1				
020	253804-1	FLAT WASHER 6		1				
022	319537-9	HOLDER		1	*			
022-1	319981-0	HOLDER	O	1				
023	931302-2	HEX. NUT M6		1	*			
023-1	252273-3	HEX. NUT M6	<	1				
024	345702-4	DRIVER		1				
025	268157-5	PIN 4		1	*			
025-1	256882-0	FLAT FILLISTER HD. PIN 4	<	1				
026	144291-4	DRIVER GUIDE COVER COMPLETE		1	*			
026-1	140H39-0	DRIVER GUIDE COVER COMPLETE	S	1	*			
026-2	144291-4	DRIVER GUIDE COVER COMPLETE	S	1				
027	922102-1	HEX. SOCKET HEAD BOLT M4X6		4				
029	922112-8	HEX. SOCKET HEAD BOLT M4X10		3	*			
029-1	922127-5	HEX. SOCKET HEAD BOLT M4X16	S	2				
030	144330-0	DRIVER GUIDE COMPLETE		1				
031	135856-3	MAGAZINE ASSY		1	*			
D10		INC. 32-38,40,42-44,47-55,57,			*			
D20		INC. 100			*			
031-1	135897-9	MAGAZINE ASSY	<	1				
D10		INC. 32-38,40,42-44,47-55,57,						
D20		INC. 100						

Model No.DPT353 CORDLESS PIN NAILER

Položka	Číslo dílu	Popis	Změna	Množství	New/Old	Možnost 1	Možnost 2	Poznámka
032	347138-3	PUSHER		1				
033	310176-8	STOPPER		1	*			
033-1	310176-8	STOPPER	S	1				
034	233018-8	COMPRESSION SPRING 3		1				
035	232362-0	LEAF SPRING		1				
036	346239-4	NAIL STOPPER		4				
037	232367-0	COMPRESSION SPRING 3		4				
038	457379-4	MAGAZINE		1	*			
038-1	458195-7	MAGAZINE	<	1				
039	911133-5	PAN HEAD SCREW M4X18		2				
040	347137-5	SPACER		1				
042	144335-0	LOWER RAIL COMPLETE		1				
043	457382-5	NAIL GUIDE HOLDER		1				
044	457380-9	UPPER RAIL		1				
C10	931102-0	HEX. NUT M4		1				
047	457387-5	SPRING COVER		1				
048	911113-1	PAN HEAD SCREW M4X10 WITH WR		1				
049	457383-3	SHOULDER PIN 5-6		1				
050	232366-2	COMPRESSION SPRING 5		1				
051	266177-3	HEX. SOCKET HEAD BOLT M3X10		2				
052	457388-3	LEVER		1				
053	233117-6	COMPRESSION SPRING 6		1				
054	256793-9	PIN 3		1				
055	457381-7	SLIDE DOOR CAP		1				
056	268158-3	PIN 5		1				
057	262054-7	URETHANE RING 3		1				
058	347139-1	LOCK ARM		1				
059	629253-8	DC MOTOR		1				
060	267053-4	FLAT WASHER 12		1				
061	227166-3	INTERNAL GEAR 69		1				
063	221961-3	SPUR GEAR 27		3				
064	154973-0	SPUR GEAR 7 COMPLETE		1				
065	345773-1	ANTI BACK PLATE		1				
066	144290-6	SPUR GEAR 55 COMPLETE		1	*			
066-1	140U73-8	SPUR GEAR 55 COMPLETE	O	1				
067	214060-8	PLANE BEARING 10		1				
068	620507-6	LED CIRCUIT		1				
069	632J89-6	CONTROLLER UNIT		1				
C10	688164-6	LINE FILTER		1	*			
070	456799-9	TRIGGER LOCK		1				
071	632J09-0	SWITCH UNIT		1	*			
071-1	632M82-8	SWITCH UNIT	<	1				
072	632G60-2	SWITCH UNIT		1				
073	632K06-2	SWITCH UNIT		1				

Model No.DPT353 CORDLESS PIN NAILER

Položka	Číslo dílu	Popis	Změna	Množství	New/Old	Možnost 1	Možnost 2	Poznámka
078	232370-1	COMPRESSION SPRING 5		1				
079	457386-7	TRIGGER		1				
080	347142-2	GEAR PLATE		1				
092	143778-3	INDICATOR PANEL COMPLETE		1				
093	266130-9	TAPPING SCREW BIND PT 3X16		1				
094	457385-9	HOUSING R COVER		1				
095	183F93-9	HOUSING SET		1				
C10	263005-3	RUBBER PIN 6		2				
C20	252126-6	HEX. LOCK NUT M4-7		2				
C30	931102-0	HEX. NUT M4		1				
D10		INC. 3						
096	852X49-8	DPT353 NAME PLATE		1				
097	911173-3	PAN HEAD SCREW M4X45		1				
098	266130-9	TAPPING SCREW BIND PT 3X16		8				
099	266130-9	TAPPING SCREW BIND PT 3X16		1	*			
100	233459-8	COMPRESSION SPRING 3		1				
101	232365-4	COMPRESSION SPRING 7		1				
102	961017-7	STOP RING E-3		1				
103	347136-7	CONTACT ARM		1				
104	326905-9	ADJUSTER SHAFT		1				
105	216031-1	STEEL BALL 2.3		1				
106	234254-9	COMPRESSION SPRING 2		1				
107	457378-6	ADJUSTER		1				
108	310778-0	ARM		1				
109	961017-7	STOP RING E-3		1				
110	922107-1	HEX. SOCKET HEAD BOLT M4X8		2				
111	144329-5	CENTER PLATE COMPLETE		1				
112	310777-2	CONTACT TOP COVER		1	*			
112-1	310922-9	CONTACT TOP COVER	S	1	*			
112-2	310777-2	CONTACT TOP COVER	S	1				
113	310780-3	COUNTER WEIGHT A		2	*			
113-1	310924-5	COUNTER WEIGHT A	<	2	*			
113-2	313421-0	COUNTER WEIGHT A	<	2				
114	251566-5	H.S.H BOLT M4X6 WITH W		2				
115	347146-4	PINION GUIDE		2				
116	457390-6	COUNTER WEIGHT HOLDER		4	*			
116-1	413330-4	COUNTER WEIGHT HOLDER	O	4				
119	326902-5	PINION SHAFT		2				
120	424953-3	DUMPER RUBBER		8	*			
121	922102-1	HEX. SOCKET HEAD BOLT M4X6		4	*			
121-1	266199-3	HEX.SOCKET HEAD BOLT M4X6	O	4				
122	347145-6	GUIDE RAIL R		1				

Model No.DPT353 CORDLESS PIN NAILER

Položka	Číslo dílu	Popis	Změna	Množství	New/Old	Možnost 1	Možnost 2	Poznámka
123	347144-8	GUIDE RAIL L		1				
124	310781-1	COUNTER WEIGHT B		2				
125	347147-2	COUNTER STOPPER		1	*			
125-1	347672-3	COUNTER STOPPER	S	1				
126	424954-1	COUNTER CUSHION		2				
127	326904-1	WEIGHT		2				
128	232363-8	COMPRESSION SPRING 7		2				
129	326901-7	GUIDE PIPE		2	*			
129-1	327550-3	GUIDE PIPE	S	2				
130	135857-1	CONTACT ARM ASSY		1				
D10		INC. 102-109						
131	135855-5	SPUR GEAR ASSEMBLY		2	*			
D10		INC. 120			*			
131-1	136153-0	SPUR GEAR ASSY	O	2	*			
131-2	136104-3	SPUR GEAR ASSEMBLY	O	2				
132	457809-5	SWITCH GUARD		1				
133	922112-8	HEX. SOCKET HEAD BOLT M4X10	S	1				
A01	195246-2	SAFETY GOGGLE		1	*			
A02	251314-2	+ SCREW M4X12		1				
A03	346317-0	HOOK		1				
A04	424955-9	NOSE ADAPTER		2	*			
A04-1	422372-7	NOSE ADAPTER	O	2				
A05	783201-2	HEX. WRENCH 3		1				
B01	127762-6	CENTER PLATE ASSEMBLY		1				
D10		INC. 110-112						

Please order the parts with part number.

Print Date 10/2/2023