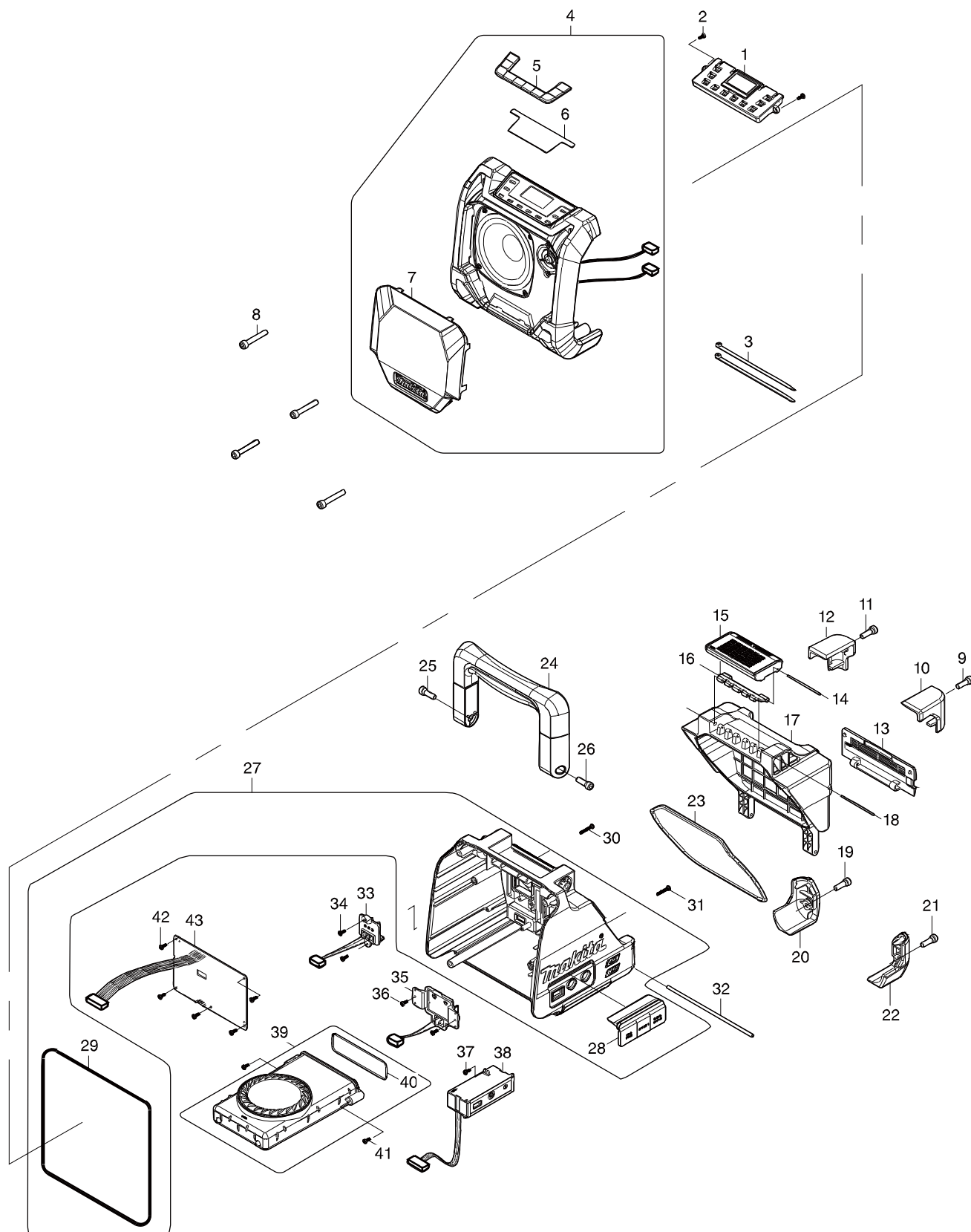


Číslo typu DMR202 CORDLESS JOB SITE SPEAKER



Položka	Číslo dílu	Popis	Změn	Množstv	N/O	Možnost 1	Možnost 2	Poznámka
001	SE00000632	CIRCUIT BOARD C ASSY(KEYBOARD)		1				
002	SE00000521	SCREW PTB 3X8(ZK) 29S16308001		2				
003	SE00000195	W/TIES 100MM		2				
004	SE00000635	FRONT CABINET-BLUE 01F BA1		1				
D10		INC. 5-7						
005	SE00000633	RUBBERE KEY 3100 B0000010		1				
006	SE00000634	DISPLAY PLATE 3150 B0000010		1				
007	SE00000637	SPEAKER GRILL 01K BA1		1				
008	SE00000530	SCREW PTHE 6X37(CR) 29S1793701		4				
009	SE09176166	HEX SCREW M6X16		1				
010	SE00000531	BATTERY BUMPER R 3163B30000010		1				
011	SE09176166	HEX SCREW M6X16		1				
012	SE00000532	BATTERY BUMPER L 3162B30000010		1				
013	SE00000534	PHONE COVER ASS'Y 011B3A5		1				
014	SE00000533	PIN D2X88 2100B300100		1				
015	SE00000535	LOCKER COVER 3121B30000010		1				
016	SE00000536	LOCKER HINGE 3300B30000010		1				
017	SE00000537	BATTERY COVER (BLUE) 3120B3000		1				
018	SE00000539	PIN D2X77 2100B300200		1				
019	SE09176166	HEX SCREW M6X16		1				
020	SE00000540	REAR BUMPER L 3160B30000010		1				
021	SE09176166	HEX SCREW M6X16		1				
022	SE00000541	REAR BUMPER R 3161B30000010		1				
023	SE00000542	BATTERY PACKING 2400B300200		1				
024	SE00000543	HANDLE ASS'Y-BLUE 01HB3A1		1				
025	SE09176166	HEX SCREW M6X16		1				
026	SE09176166	HEX SCREW M6X16		1				
027	SE00000649	REAR ASS'Y BLUE 01R AA1		1				
D10		INC. 28,29						
028	SE00000547	JACK RUBBER COVER 3126B3000001		1				
029	SE024PC040	PACKING		1				
030	SE00000548	SCREW PTB 3X20(ZK) 29S09990047		1				
031	SE00000548	SCREW PTB 3X20(ZK) 29S09990047		1				
032	SE00000549	BATTERY COVER FIXER PIN 2100b3		1				
033	SE00000651	TERMINAL 10.8V ASSY 011 AA1		1				
034	SE00000521	SCREW PTB 3X8(ZK) 29S16308001		2				
035	SE00000652	TERMINAL D ASSY 011 AA2		1				
036	SE00000521	SCREW PTB 3X8(ZK) 29S16308001		2				
037	SE00000521	SCREW PTB 3X8(ZK) 29S16308001		1				
038	SE00000654	JACK HOLDER ASS'Y-BLUE 011 AA3		1				
039	SE00000555	MOBILE-PHONE-CASE ASS'Y 011B3A		1				
D10		INC. 40						
040	SE00000556	PHONE CASE PACKING 2400B300400		1				
041	SE00000557	SCREW PTPW 3X10(ZK) 29S1531000		2				
042	SE00000521	SCREW PTB 3X8(ZK) 29S16308001		5				
043	SE00000639	PCB A ASS'Y DMR202 07A BA2		1				
A01	SE00000501	AC ADAPTER (CE) 3A8A12C133B11		1				