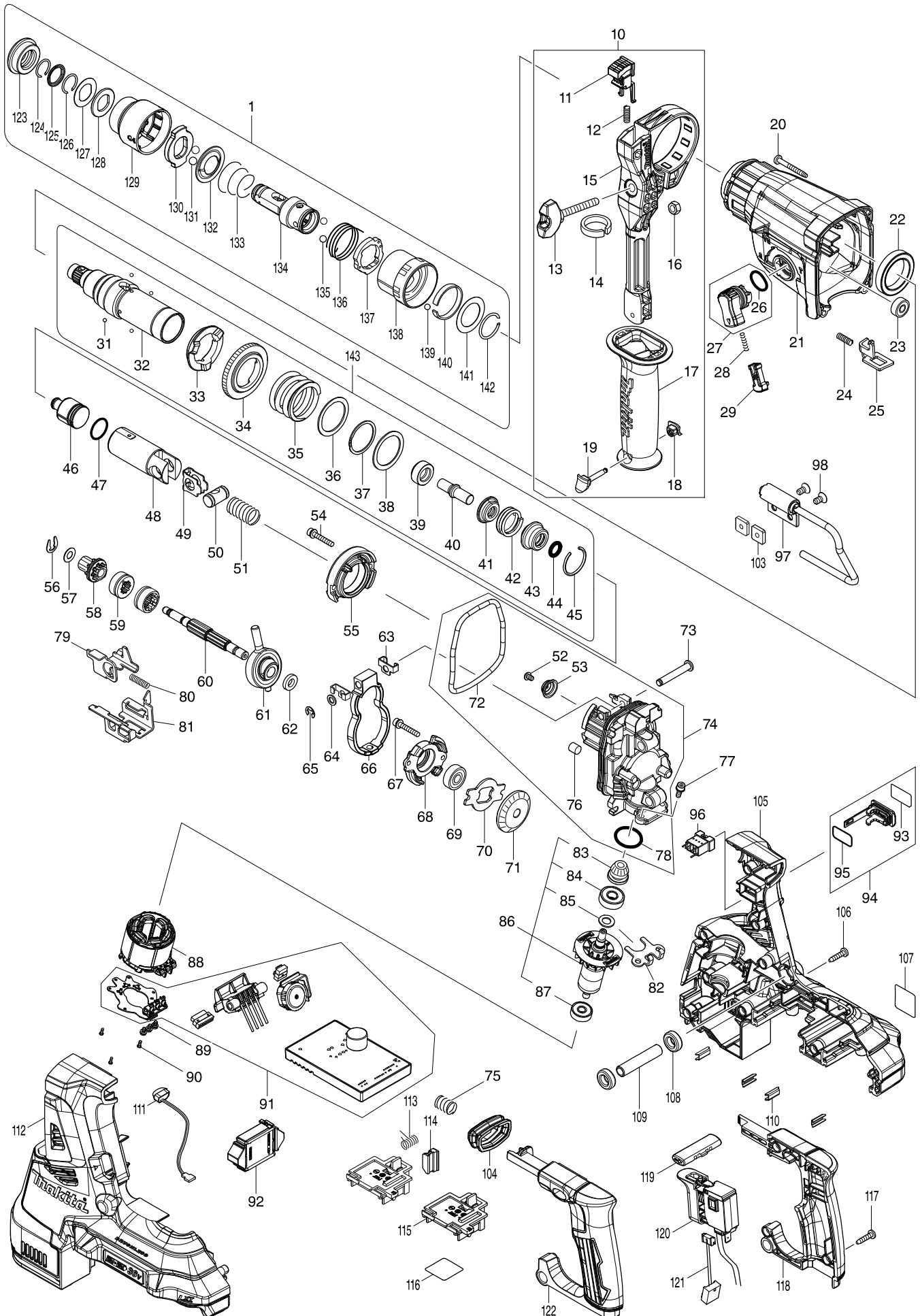


Číslo typu DHR283 28MM CRDLS COMBINATION HAMMER



Číslo typu DHR283 28MM CRDLS COMBINATION HAMMER

Strana 1 / 5

Položka	Číslo dílu	Popis	Změn	Množst	N/O	Možnost 1	Možnost 2	Poznámka
001	199138-7	TOOL HOLDER SET		1				
D10		INC. 123-142						
010	126882-3	GRIP ASSEMBLY		1				
D10		INC. 11-19						
011	144959-2	LOCK BUTTON COMPLETE		1				
012	233360-7	COMPRESSION SPRING 4		1				
013	265625-9	THUMB SCREW M6X50		1				
014	422258-5	SPONGE SHEET		1				
015	458355-1	SIDE HANDLE BASE		1				
016	931302-2	HEX. NUT M6		1				
017	458357-7	GRIP 36		1				
018	422255-1	CAP		1				
019	161838-9	FIX PIN		1				
020	266351-3	TAPPING SCREW 4X35		4				
021	144965-7	GEAR HOUSING COMPLETE		1				
C10	213345-9	OIL SEAL 25		1				
C20	331890-3	CUP SLEEVE		1				
022	211294-4	BALL BEARING 6806LLU		1				
023	211012-0	BALL BEARING 606ZZ		1				
024	233360-7	COMPRESSION SPRING 4		1				
025	347228-2	LOCK PLATE		1				
026	213278-8	O RING 17		1				
027	135961-6	CHANGE LEVER ASSY		1				
D10		INC. 26						
028	234264-6	COMPRESSION SPRING 3		1				
029	457709-9	LOCK BUTTON		1				
031	216019-1	STEEL BALL 3		4				
032	144966-5	TOOL HOLDER GUIDE COMPLETE		1				
C10	213344-1	OIL SEAL 9		1				
033	332139-4	DRIVING FLANGE		1				
034	227360-7	SPUR GEAR 51		1				
035	234148-8	COMPRESSION SPRING 31		1				
036	267153-0	FLAT WASHER 30		1				
037	257932-4	SPIRO LOCK WASHER 30		1				
038	267153-0	FLAT WASHER 30		1				
039	325783-4	SLEEVE 9B		1				
040	325791-5	IMPACT BOLT B		1				
041	325792-3	WASHER 10		1				
042	234149-6	COMPRESSION SPRING 20		1				
043	325793-1	O-RING CASE B		1				
044	213073-6	O RING 9		1				
045	233979-2	RING SPRING 28		1				
046	325784-2	STRIKER		1				
047	213258-4	O RING 17.5		1				
048	327079-9	PISTON CYLINDER		1				
049	346036-8	GUIDE PLATE		1				
050	324215-8	PISTON JOINT		1				
051	232449-8	COMPRESSION SPRING 14		1				

Položka	Číslo dílu	Popis	Změn	Množst	N/O	Možnost 1	Možnost 2	Poznámka
052	265627-5	H.S.BUTTON HEAD BOLT M4X6		1				
053	347344-0	SPRING GUIDE		1				
054	922148-7	HEX. SOCKET HEAD BOLT M4X25		2				
055	144960-7	INNER SUPPORT COMPLETE		1				
056	257336-0	STOP RING EXT U-6		1				
057	253186-1	FLAT WASHER 7		1				
058	226170-9	SPUR GEAR 10		1				
059	332125-5	CLUTCH CAM		2				
060	327078-1	CAM SHAFT		1				
061	219030-2	SWASH BEARING 10		1				
062	257321-3	RING 8		1				
063	346538-4	WEIGHT HOLDER GUIDE		2				
064	253077-6	FLAT WASHER 6		1				
065	961018-5	STOP RING E-5		1				
066	310869-7	COUNTER WEIGHT		1				
067	922148-7	HEX. SOCKET HEAD BOLT M4X25		2				
068	319674-9	BEARING BOX		1				
069	211032-4	BALL BEARING 608ZZ		1				
070	347343-2	BEARING RETAINER B		1				
071	221599-4	SPIRAL BEVEL GEAR 32		1				
072	213850-6	O-RING 74		1				
073	256536-9	FLAT FILLISTER HD PIN 6		1				
074	135962-4	INNER HOUSING ASSY		1				
D10		INC. 52,53,72,76,78						
075	232436-7	COMPRESSION SPRING 10		1				
076	443153-6	FELT		1				
077	922118-6	HEX. SOCKET HEAD BOLT M4X12		2				
078	213008-7	O RING 22.4		1				
079	347230-5	CHANGE PLATE B		1				
080	234343-0	COMPRESSION SPRING 5		1				
081	347229-0	CHANGE PLATE A		1				
082	346536-8	BEARING RETAINER A		1				
083	144964-9	SPIRAL BEVEL GEAR 11 COMPLETE		1				
084	210024-0	BALL BEARING 608LLU		1				
085	253835-0	FLAT WASHER 8		1				
086	519513-5	ROTOR ASSY		1				
D10		INC. 83-85,87						
087	210022-4	BALL BEARING 626DDW		1				
088	629340-3	STATOR		1				
089	652069-6	FLAT HEAD SCREW M3X6		3				
090	266490-9	TAPPING SCREW PT 2X6		3				
091	620814-7	CONTROLLER		1				
092	620816-3	ACCELEROMETER CIRCUIT		1				
093	813T75-8	CAP LABEL		1	*			
093-1	818H48-4	CAP LABEL	<	1				
094A	183H92-3	CAP SET		1	*			
D10		INC. 93,95			*			
094B	183H92-3	CAP SET		1	*			

Číslo typu DHR283 28MM CRDLS COMBINATION HAMMER

Strana 3 / 5

Položka	Číslo dílu	Popis	Změn	Množst	N/O	Možnost 1	Možnost 2	Poznámka
D10		INC. 93,95			*			
094C	183J85-2	CAP SET		1	*			
094D	183J85-2	CAP SET		1	*			
094-1A	183J85-2	CAP SET	O	1	*			
D10		INC. 93,95			*			
094-1B	183J85-2	CAP SET	O	1	*			
D10		INC. 93,95			*			
094-1C	140G30-2	CAP COMPLETE	<	1				
094-1D	140G30-2	CAP COMPLETE	<	1				
094-2A	140G30-2	CAP COMPLETE	<	1				
D10		INC. 93,95						
094-2B	140G30-2	CAP COMPLETE	<	1				
D10		INC. 93,95						
095A	213275-4	O RING 18		1	*			
095B	213275-4	O RING 18		1	*			
095C	213218-6	O RING 16		1				
095D	213218-6	O RING 16		1				
095-1A	213218-6	O RING 16	<	1				
095-1B	213218-6	O RING 16	<	1				
096	632L87-2	CONNECTOR UNIT		1				
097	135963-2	HOOK ASSY		1				
098	912207-5	COUNTERSUNK HEAD SCREW M5X10		2				
103	264002-2	SQUARE NUT M5		2				
104	422257-7	BELLOWS		1				
105	183J30-7	HOUSING SET		1	*			
C10	263005-3	RUBBER PIN 6		8	*			
D10		INC. 112			*			
105-1	183K53-1	HOUSING SET	<	1				
C10	263005-3	RUBBER PIN 6		8				
D10		INC. 112						
106	266326-2	TAPPING SCREW 4X18		9				
107	854J52-1	DHR283 NAME PLATE		1				
108	422256-9	RUBBER RING 10		2				
109	257438-2	SLEEVE 10		1				
110	346783-1	PLATE		4				
111	620549-0	LED CIRCUIT		1				
112	183J30-7	HOUSING SET		1	*			
C10	263005-3	RUBBER PIN 6		8	*			
D10		INC. 105			*			
112-1	183K53-1	HOUSING SET	<	1				
C10	263005-3	RUBBER PIN 6		8				
D10		INC. 105						
113	233598-4	TORSION SPRING 6		1				
114	313226-8	OPENER		1				
115	644809-6	TERMINAL		2				
116	854J58-9	DHR283 SERIAL NO. LABEL		1				
117	266326-2	TAPPING SCREW 4X18		4				
118	183J29-2	HANDLE SET		1				

Položka	Číslo dílu	Popis	Změn	Množst	N/O	Možnost 1	Možnost 2	Poznámka
D10		INC. 122						
119	453124-5	F/R CHANGE LEVER		1				
120	651366-7	SWITCH C3JW-6B-24		1				
121	632L95-3	LEAD UNIT		1				
122	183J29-2	HANDLE SET		1				
D10		INC. 118						
123	286288-8	CAP 35		1				
124	233989-9	RING SPRING 14		1				
125	346221-3	WASHER 16		1				
126	233992-0	RING SPRING 15		1				
127	267437-6	FLAT WASHER 17		1				
128	424364-2	RUBBER WASHER 16		1				
129	458358-5	CHUCK COVER		1				
130	327081-2	STOPPER		1				
131	216022-2	STEEL BALL 7.0		2				
132	346177-0	GUIDE WASHER		1				
133	233916-6	CONICAL COMP. SPRING 21-29		1				
134	327080-4	TOOL HOLDER		1				
135	216013-3	STEEL BALL 6		2				
136	231669-1	TORSION SPRING 31		1				
137	345334-7	CHANGE RING		1				
138	418218-3	CHANGE COVER		1				
139	216018-3	STEEL BALL 5.0		1				
140	345335-5	LEAF SPRING		1				
141	267270-6	FLAT WASHER 24		1				
142	233924-7	RING SPRING 21		1				
143	135965-8	TOOL HOLDER ASSY		1				
D10		INC. 31-45						
A01	199139-5	DRILL CHUCK SET		1				
A02	198993-4	GREASE VESSEL SET		1				
A03A	198900-7	WIRELESS UNIT SET		1				
A03B	198900-7	WIRELESS UNIT SET		1				
A04	331886-4	DEPTH GAUGE		1				
A05	443122-7	CLOTH		1				
A06B	195180-6	DUSTCUP SET		1	*			
A06D	195180-6	DUSTCUP SET		1	*			
A06-1B	195179-1	DUSTCUP SET	<	1				
A06-1D	195179-1	DUSTCUP SET	<	1				
A09B	***DC18RD	DC18RD TWO PORT FAST CHARGER		1				
A09D	***DC18RD	DC18RD TWO PORT FAST CHARGER		1				
A10B	197280-8	BATTERY BL1850B SET		2				
A10D	197280-8	BATTERY BL1850B SET		2				
A11B	839559-8	INNER TRAY		1				
A11D	839559-8	INNER TRAY		1				
A12B	821552-6	CONNECTOR PLASTIC CASE (TYPE4)		1				
C10	453974-8	LATCH		4				
A12D	821552-6	CONNECTOR PLASTIC CASE (TYPE4)		1				
C10	453974-8	LATCH		4				

Číslo typu DHR283 28MM CRDLS COMBINATION HAMMER

Položka	Číslo dílu	Popis	Změn	Množst	N/O	Možnost 1	Možnost 2	Poznámka
A13B	817L72-8	DHR283T2JU INDICATION LABEL		1				
A13D	817V98-0	DHR283PT2J INDICATION LABEL		1				
A14B	817L68-9	DHR283T2JU PLASTIC CASE LABEL		2				
A14D	817V97-2	DHR283PT2J PLASTIC CASE LABEL		2				
E01	818S15-5	CLEAR LABEL		1				

Prosím objednávejte díly s jejich objednacími čísly.