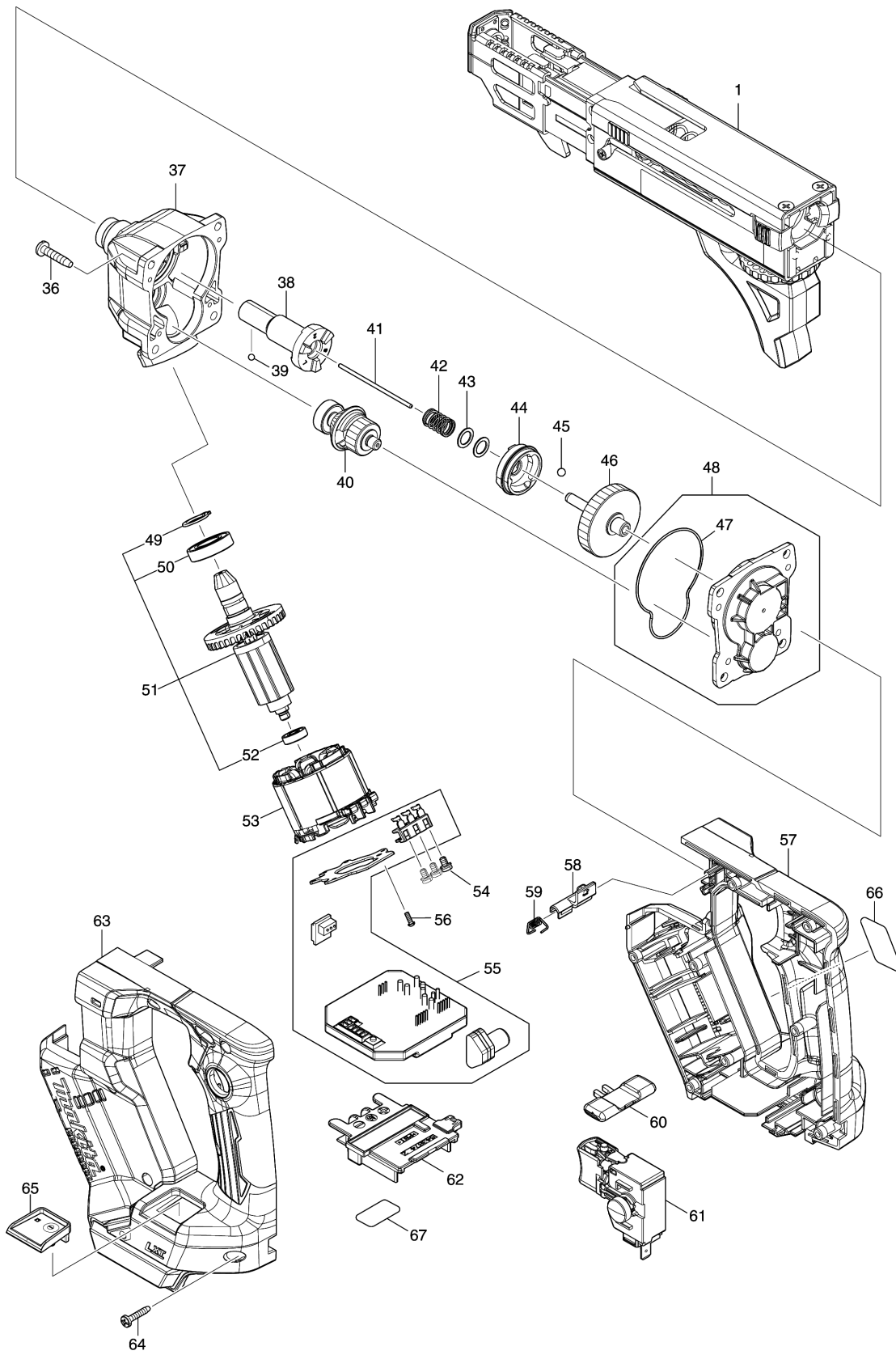
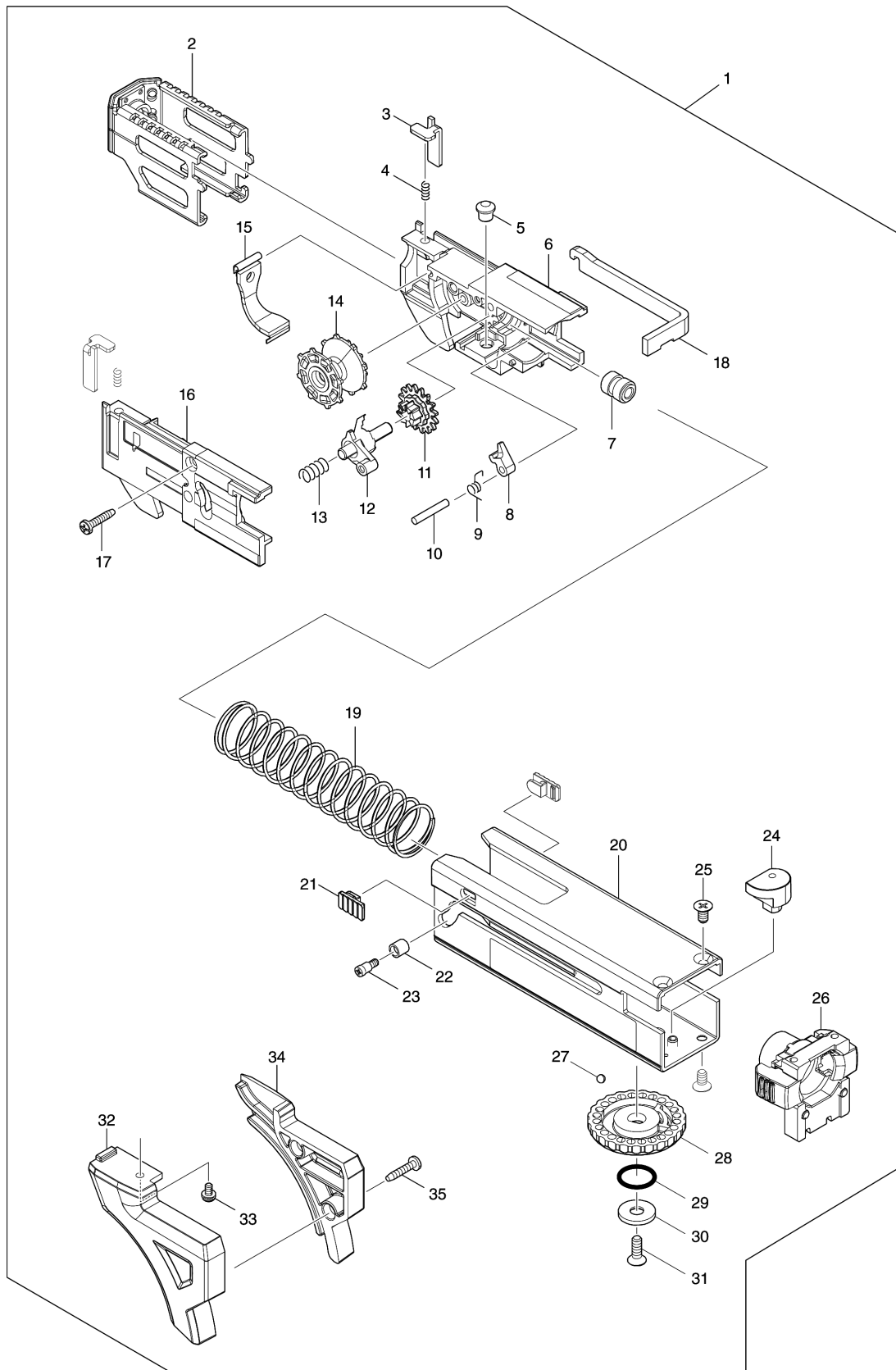


Model No.DFR551 CORDLESS AUTO FEED SCREWDRIVER



# Model No.DFR551 CORDLESS AUTO FEED SCREWDRIVER



Model No.DFR551 CORDLESS AUTO FEED SCREWDRIVER

Položka	Číslo dílu	Popis	Změna	Množství	New/Old	Možnost 1	Možnost 2	Poznámka
001	191W94-5	CASING 55 SET		1				
D10		INC. 2-35			*			
D11		INC. 2-35,68						
002	141A81-2	STOPPER BASE COMPLETE		1				
C10	422695-3	CAP		1				
003	345837-1	LEVER		2				
004	233211-4	COMPRESSION SPRING 2		2				
005	256451-7	PIN 6		1				
006	413527-5	FEEDER BOX		1				
007	257855-6	SLEEVE 5		1				
008	310062-3	STOPPER		1				
009	231636-6	TORSION SPRING 4		1				
010	256158-5	PIN 3		1				
011	226344-2	SPUR GEAR 16		1				
012	141A78-1	RATCHET ARM COMPLETE		1				
013	233212-2	COMPRESSION SPRING 6		1	*			
013-1	232771-3	COMPRESSION SPRING 5	<	1				
014	416518-5	WHEEL		1				
015	162934-6	DUST COVER		1				
016	141A80-4	BOX COVER COMPLETE		1				
017	266130-9	TAPPING SCREW BIND PT 3X16		1				
018	347828-8	PLATE		1				
019	232698-7	COMPRESSION SPRING 22		1				
020	141A79-9	CASING 55 COMPLETE		1				
C10	8040Y6-3	INDICATION LABEL		1				
021	450111-5	STOPPER		2				
022	257764-9	SLEEVE 4		1				
023	265177-0	+SHOULDER FLAT HEAD SCREW M3X5		1				
024	313378-5	SHIFTER PIN		1				
025	912107-9	COUNTERSUNK HEAD SCREW M4X8		3				
026	141A77-3	CLAMPER COMPLETE		1				
C10	263032-0	RUBBER PIN 4		2				
027	216001-0	STEEL BALL 3.5		1				
028	417056-0	DIAL 42		1				
029	213107-5	O RING 12		1				
030	267201-5	FLAT WASHER 6		1				
031	912117-6	COUNTERSUNK HEAD SCREW M4X12		1				
032	183T81-0	SCREW GUIDE SET		1				
D10		INC. 34						
033	265A38-0	P.H.SCREW M3X6 WITH WR		1				
034	183T81-0	SCREW GUIDE SET		1				
D10		INC. 32						
035	266130-9	TAPPING SCREW BIND PT 3X16		2				

Model No.DFR551 CORDLESS AUTO FEED SCREWDRIVER

Položka	Číslo dílu	Popis	Změna	Množství	New/Old	Možnost 1	Možnost 2	Poznámka
036	266045-0	TAPPING SCREW 4X20		4				
037	141A64-2	GEAR HOUSING COMPLETE		1				
C10	213265-7	O RING 17		1				
C20	213380-7	O RING 24		1				
038	141A67-6	SPINDLE 270S COMPLETE		1				
039	216019-1	STEEL BALL 3		1				
040	141J99-7	GEAR COMPLETE 21-25		1				
041	268325-0	ROD 2		1				
042	234121-8	COMPRESSION SPRING 8		1				
043	267202-3	FLAT WASHER 8		2				
044	223192-0	CLUTCH CAM 270S		1				
045	216008-6	STEEL BALL 4		3				
046	141A63-4	GEAR COMPLETE 46		1				
047	422692-9	SEAL RING		1				
048	136412-2	GEAR HOUSING COVER ASSY		1				
C10	422694-5	FELT		1				
D10		INC. 47						
049	961052-5	RETAINING RING S-12		1				
050	211288-9	BALL BEARING 6901DDW		1				
051	519685-6	ROTOR ASSY		1				
D10		INC. 49,50,52						
052	210039-7	BALL BEARING 695DDW		1				
053	629A57-4	STATOR		1				
054	652069-6	FLAT HEAD SCREW M3X6		3				
055	620E75-9	CONTROLLER		1				
056	266490-9	TAPPING SCREW PT 2X6		3				
057	183T80-2	HOUSING SET		1				
C10	263005-3	RUBBER PIN 6		2				
C20	252126-6	HEX. LOCK NUT M4-7		2				
D10		INC. 63						
058	141A65-0	LEVER COMPLETE		1				
059	232703-0	TORSION SPRING 3		1				
060	455053-8	F/R CHANGE LEVER		1				
061	651088-9	SWITCH C3JW-4B-1L		1				
062	643874-2	TERMINAL		1				
063	183T80-2	HOUSING SET		1				
C10	263005-3	RUBBER PIN 6		2				
C20	252126-6	HEX. LOCK NUT M4-7		2				
D10		INC. 57						
064	266130-9	TAPPING SCREW BIND PT 3X16		8				
065	141G67-2	SWITCH PLATE COMPLETE		1				
C10	8031T5-3	SWITCH LABEL		1				
066	8110J6-1	DFR551 NAME PLATE		1				
067	8110K1-8	DFR551 SERIAL NO. LABEL		1				

Model No.DFR551 CORDLESS AUTO FEED SCREWDRIVER

Položka	Číslo dílu	Popis	Změna	Množství	New/Old	Možnost 1	Možnost 2	Poznámka
068	253309-1	THIN WASHER 8		1				
A01	266622-8	+ TRUSS HEAD SCREW M4X12		1				
A02	346317-0	HOOK		1				
A03	191V02-0	+ BIT2-155 SET		1				
A04B	821551-8	CONNECTOR PLASTIC CASE (TYPE3)		1				
C10	453974-8	LATCH		4				
A05B	835Y86-3	INNER TRAY		1				
A06B	8042A1-7	DFR551RTJ INDICATION LABEL		1				
A07B	8042A2-5	DFR551RTJ PLASTIC CASE LABEL		2				
A08B	***DC18RC	DC18RC FAST CHARGER		1				
D10		COMPO-PARTS						
A09B	197280-8	BATTERY BL1850B SET		2				
A10B	450128-8	BATTERY COVER		2				

Please order the parts with part number.

Print Date 19/11/2021