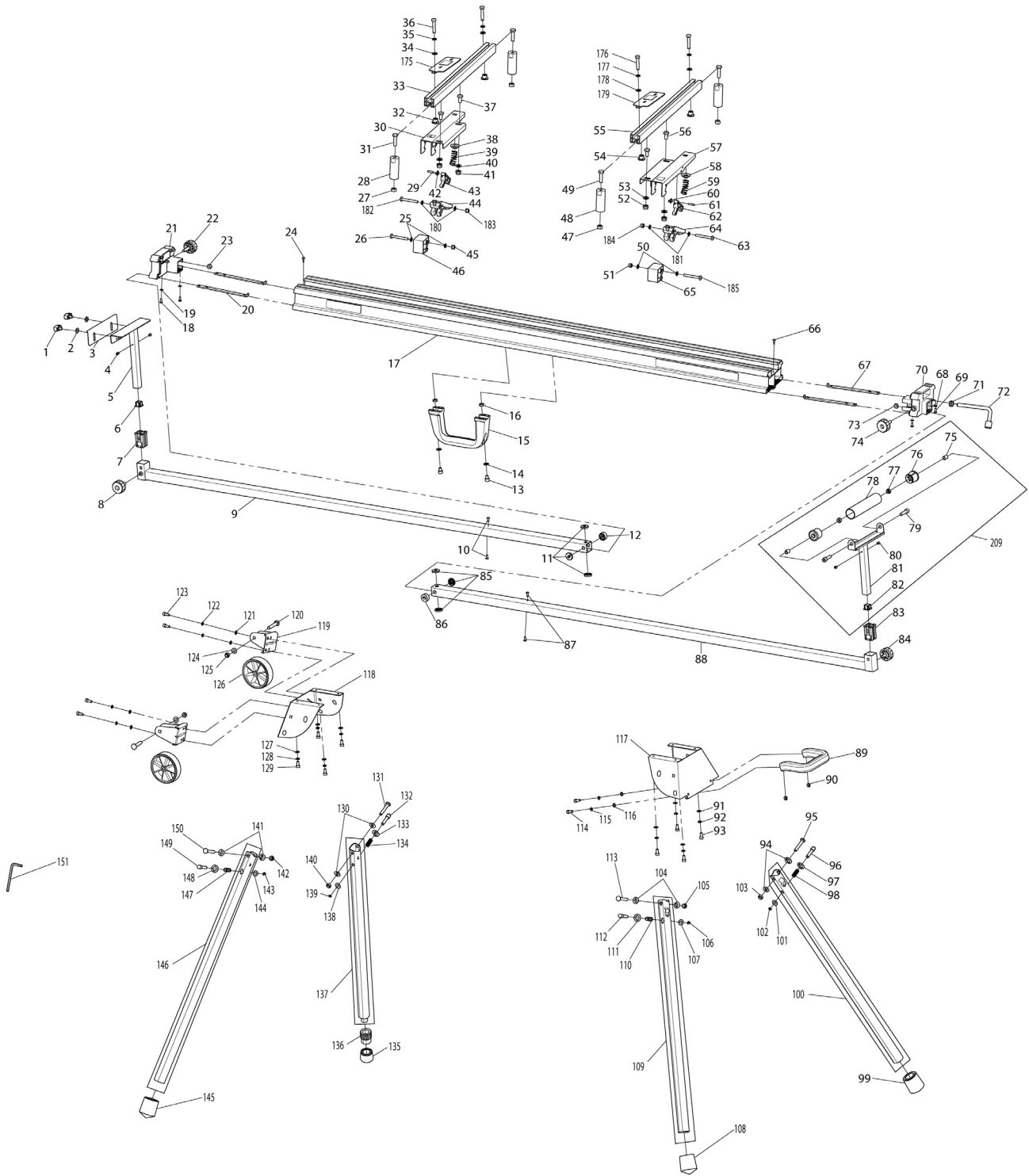


# Diagram / Parts List

**WST07**

**MITER SAW STAND**

(DE) WST07 / MITER SAW STAND



### WST07 / MITER SAW STAND

Item	Sub	Parts No.	Parts Description	Qty	I/C	E/C No.	Close No.	Remark
001		JM23400040	KNOB BOLT M8X18	2			Y08346	
001-1		JM23400040	KNOB BOLT M8X18	2	O	Y08346		
002		JM21000060	FLAT WASHER 8	2				
003		JM23600001	SET PLATE	1				
004		JM23600002	H.S.BOLT M4X6	2				
005		JM23600003	SUPPORT BRACKET	1				
006		JM23600004	COVER	1				
007		JM23600005	SLEEVE	1				
008		JM23600006	LOCK KNOB A	1				
009		JM00000220	EXT. WING	1				
010		JM00000221	CROSS HEAD SCREW M4X10	2				
011		JM23600008	PAD A	3				
012		JM23600009	PAD B	1				
013		JM23600010	H.S.BOLT M8X12	2				
014		JM21000060	FLAT WASHER 8	2				
015		JM23600011	CARRY HANDLE	1				
016		JM23600012	HEX NUT M8	2				
017		JM00000222	MAIN FRAME COMPLETE	1				
	C10	JM00000193	LOGO LABEL	1				
	C20	JM00000197	CAUTION LABEL	1				
018		JM23600014	CROSS HEAD SCREW M4	2				
019		JM21000026	FLAT WASHER 4	2				
020		JM23600013	FIX LINK PLATE	2				
021		JM00000224	RAIL COVER	1				
022		JM23600016	LOCK KNOB B	1				
023		JM23600012	HEX NUT M8	1				
024		JM00000225	SELF-TAPPING SCREW ST3.5X13	1				
025		JM27000024	FLAT WASHER 6	2				
026		JM00000167	CROSS HEAD SCREW M6X50	1				
027		JM21000058	HEX NUT M8	2				
028		JM00000166	FOOT	2				
029		JM00000174	PIN 4X18	1				
030		JM00000226	BRACKET L COMPLETE	1				
031		JM00000165	HEX BOLT M8X30	2				
032		JM23600028	SLOT NUT M8	2				
033		JM23600029	SLIDING RAIL	1				
034		JM21000060	FLAT WASHER 8	2				
035		JM21000059	SPRING WASHER 8	2				
036		JM23600059	HEX BOLT M8	2				
037		JM23600027	HEX BOLT M8	2				
038		JM00000227	SPRING BUSH	1				
039		JM00000176	SPRING A	1				
040		JM21000060	FLAT WASHER 8	2				
041		JM21000106	LOCKNUT M8	2				
042		JM00000173	SPRING B	1				
043		JM00000172	SAFETY LEVER	1				
044		JM00000175	LOCK LEVER	1				
045		JM00000169	LOCK NUT M6	1				
046		JM00000168	LOCK HOLDER	1				
047		JM21000058	HEX NUT M8	2				
048		JM00000166	FOOT	2				
049		JM00000165	HEX BOLT M8X30	2				
050		JM27000024	FLAT WASHER 6	2				
051		JM00000169	LOCK NUT M6	1				
052		JM21000106	LOCKNUT M8	2				
053		JM21000060	FLAT WASHER 8	2				
054		JM23600028	SLOT NUT M8	2				
055		JM23600029	SLIDING RAIL	1				
056		JM23600027	HEX BOLT M8	2				
057		JM00000228	BRACKET RIGHT COMPLETE	1				
058		JM00000227	SPRING BUSH	1				
059		JM00000176	SPRING A	1				
060		JM00000173	SPRING B	1				
061		JM00000174	PIN 4X18	1				
062		JM00000172	SAFETY LEVER	1				

Interchange  
O : Yes  
X : No  
< : the new part can be substituted for the current.  
> : the current part can be substituted for the new.  
S : Interchangeable as a set.

## WST07 / MITER SAW STAND

Item	Sub	Parts No.	Parts Description	Qty	I/C	E/C No.	Close No.	Remark
063		JM00000167	CROSS HEAD SCREW M6X50	1				
064		JM00000175	LOCK LEVER	1				
065		JM00000168	LOCK HOLDER	1				
066		JM00000225	SELF-TAPPING SCREW ST3.5X13	1				
067		JM23600013	FIX LINK PLATE	2				
068		JM21000026	FLAT WASHER 4	2				
069		JM23600014	CROSS HEAD SCREW M4	2				
070		JM00000224	RAIL COVER	1				
071		JM23600033	TUBE	1				
072		JM23600058	WRENCH 13	1				
073		JM23600012	HEX NUT M8	1				
074		JM23600016	LOCK KNOB B	1				
075		JM23400038	SPACER	2				
076		JM23400035	ROLLER COVER	2				
077		JM21000106	LOCKNUT M8	2				
078		JM23400036	ROLLER	1				
079		JM23600034	H.S.BOLT M8	2				
080		JM23600002	H.S.BOLT M4X6	2				
081		JM23600035	ROLLER SUPPORT	1				
082		JM23600004	COVER	1				
083		JM23600005	SLEEVE	1				
084		JM23600006	LOCK KNOB A	1				
085		JM23600008	PAD A	3				
086		JM23600009	PAD B	1				
087		JM00000221	CROSS HEAD SCREW M4X10	2				
088		JM00000220	EXT. WING	1				
089		JM23600036	PULL HANDLE	1				
090		JM21000063	HEX NUT M6	2				
091		JM21000035	FLAT WASHER 6	4				
092		JM21000034	SPRING WASHER 6	4				
093		JM23600053	H.S.BOLT M6	4				
094		JM23600041	FRICTION PAD 8	2				
095		JM23600037	BOLT M8	1				
096		JM23600038	PIN	1				
097		JM23600039	FRICTION PAD 13	1				
098		JM23600040	POSITION SPRING	1				
099		JM00000234	LEG FEET,B	1				
100		JM00000235	LEG A COMPLETE	1				
101		JM21000060	FLAT WASHER 8	1				
102		JM23600042	E RING 6	1				
103		JM21000106	LOCKNUT M8	1				
104		JM23600041	FRICTION PAD 8	2				
105		JM21000106	LOCKNUT M8	1				
106		JM23600042	E RING 6	1				
107		JM21000060	FLAT WASHER 8	1				
108		JM00000234	LEG FEET,B	1				
109		JM00000235	LEG A COMPLETE	1				
110		JM23600040	POSITION SPRING	1				
111		JM23600039	FRICTION PAD 13	1				
112		JM23600038	PIN	1				
113		JM23600037	BOLT M8	1				
114		JM23600053	H.S.BOLT M6	2				
115		JM21000034	SPRING WASHER 6	2				
116		JM21000035	FLAT WASHER 6	2				
117		JM23600052	MAIN SUPPORT BRACKET B	1				
118		JM23600054	MAIN SUPPORT BRACKET A	1				
119		JM23600055	WHEEL BRACKET	2				
120		JM23600056	BOLT M8	2				
121		JM21000035	FLAT WASHER 6	4				
122		JM21000034	SPRING WASHER 6	4				
123		JM23600053	H.S.BOLT M6	4				
124		JM21000060	FLAT WASHER 8	2				
125		JM21000106	LOCKNUT M8	2				
126		JM23600057	WHEEL	2				
127		JM21000035	FLAT WASHER 6	4				

Interchange  
 O : Yes  
 X : No  
 < : the new part can be substituted for the current.  
 > : the current part can be substituted for the new.  
 S : Interchangeable as a set.

