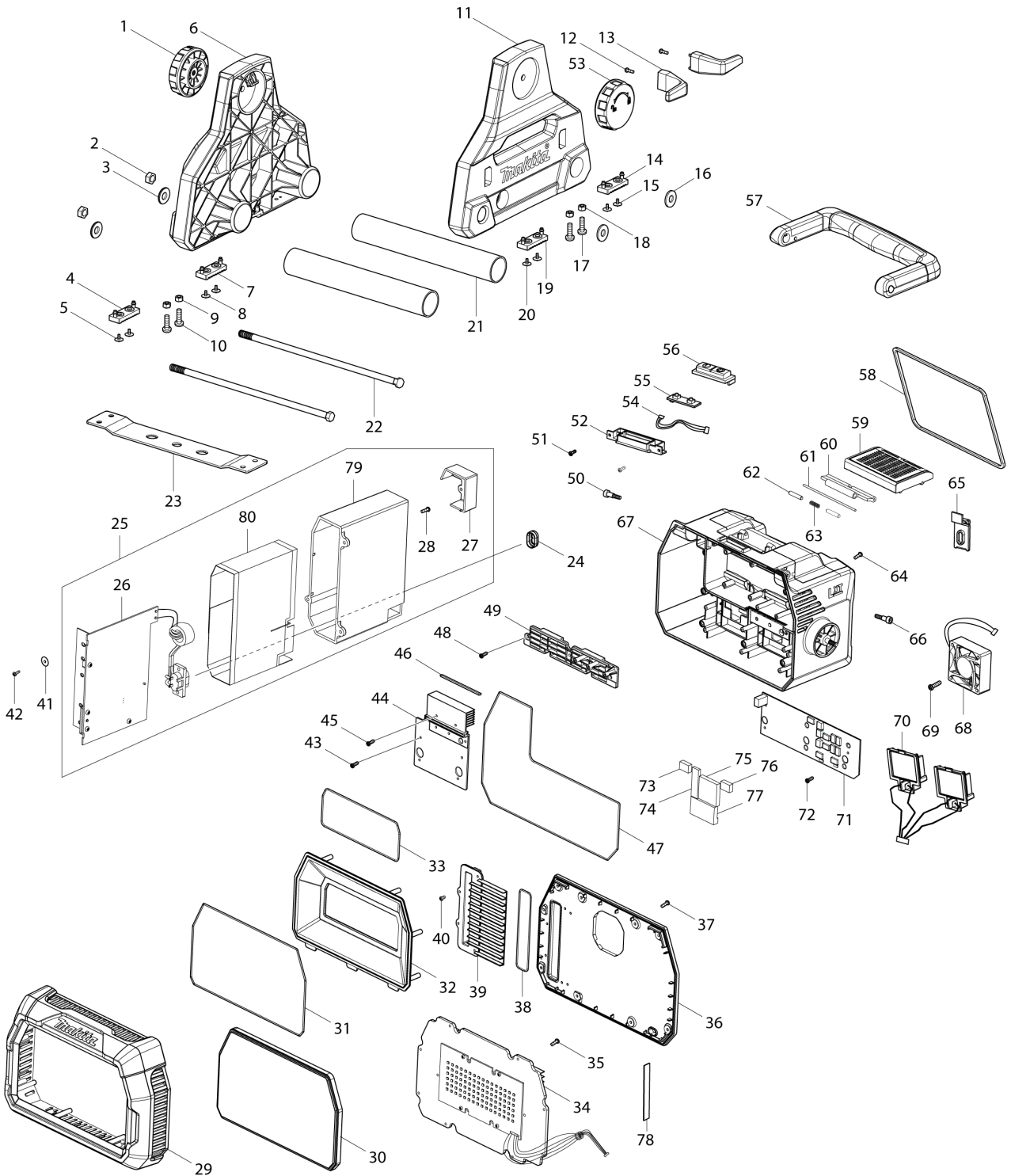


Diagram / Parts List

DML809

CORDLESS WORKLIGHT

(DE) DML809 / CORDLESS WORKLIGHT



DML809 / CORDLESS WORKLIGHT

Item	Sub	Parts No.	Parts Description	Qty	I/C	E/C No.	Close No.	Remark
001		GM00002160	LATCH KNOB ASSY	1				
002		GM00002158	NUT M8	2				
003		GM00002157	METAL OD20XID8.5X2MM	2				
004		GM00002154	RUBBER FOOT	1				
005		GM00002164	SCREW 3X6 PWB	2				
006		GM00002162	STAND LEFT ASSY	1				
007		GM00002154	RUBBER FOOT	1				
008		GM00002164	SCREW 3X6 PWB	2				
009		GM00002155	NUT M5	2				
010		GM00002156	SCREW 5X15 PM	2				
011		GM00002161	STAND RIGHT ASSY	1				
012		GM00002165	SCREW 3X18 PT	2				
013		GM00002159	AC POWER CORD HOOKS	2				
014		GM00002154	RUBBER FOOT	1				
015		GM00002164	SCREW 3X6 PWB	2				
016		GM00002157	METAL OD20XID8.5X2MM	2				
017		GM00002156	SCREW 5X15 PM	2				
018		GM00002155	NUT M5	2				
019		GM00002154	RUBBER FOOT	1				
020		GM00002164	SCREW 3X6 PWB	2				
021		GM00002192	METAL STAND HOLDING TUBE	2				
022		GM00002191	METAL M8 BOLT	2				
023		GM00002190	METAL BASE HOLDING PLATE	1				
024		GM00002150	AC SOCKET HOLDER O-RING	1				
025		GM00002264	AC POWER COMPLETE EU	1				
	D10		INC. 26-28,79,80					
026		GM00002262	AC POWER ASSY EU	1				
027		GM00002187	FERRITE RING HOLDER	1				
028		GM00001332	SCREW 3 X 8 PB B0130080702	6				
029		GM00002167	FRONT COVER ASSY	1				
030		GM00002168	LENS ASS'Y	1				
031		GM00002169	LENS O-RING	1				
032		GM00002170	REFLECTOR ASS'Y	1				
033		GM00002171	HEAT SINK O-RING	1				
034		GM00002172	LED PCBA ASSY	1				
035		GM00002165	SCREW 3X18 PT	8				
036		GM00002173	MID-BODY COVER	1				
037		GM00002165	SCREW 3X18 PT	10				
038		GM00002175	RUBBER HEAT SINK	1				
039		GM00002174	AC POWER HEAT SINK	1				
040		GM00001332	SCREW 3 X 8 PB B0130080702	4				
041		GM00002254	NYLON WASHER	5				
042		GM00002260	SCREW 3X13 PWB	5				
043		GM00002165	SCREW 3X18 PT	4				
044		GM00002253	HEAT SINK ASSY	1				
045		GM00002165	SCREW 3X18 PT	5				
046		GM00002178	MID BODY O-RING	1				
047		GM00002176	MID-BODY O-RING	1				
048		GM00002165	SCREW 3X18 PT	3				
049		GM00002180	TERMINAL HOLDING PLATE ASSY	1				
050		GM00002137	INSIDE-HEX SCREW	1				
051		GM00001333	SCREW 3 X 12PB B0130120702	2				
052		GM00002138	SWITCH HOLDER	1				
053		GM00002160	LATCH KNOB ASSY	1				
054		GM00002181	4P WAFER	1				
055		GM00002182	SWITCH PCBA ASSY	1				
056		GM00002141	SWITCH ASSY	1				
057		GM00002185	HANDLE ASSY	1				
058		GM00002183	O-RING MID BODY	1				
059		GM00002258	LATCH A	1				
060		GM00002257	LATCH B	1				
061		GM00002256	SHAFT B	1				
062		GM00002255	SHAFT A	2				
063		GM00002259	SPRING	1				
064		GM00002165	SCREW 3X18 PT	8				

Interchange
O : Yes
X : No
< : the new part can be substituted for the current.
> : the current part can be substituted for the new.
S : Interchangeable as a set.

