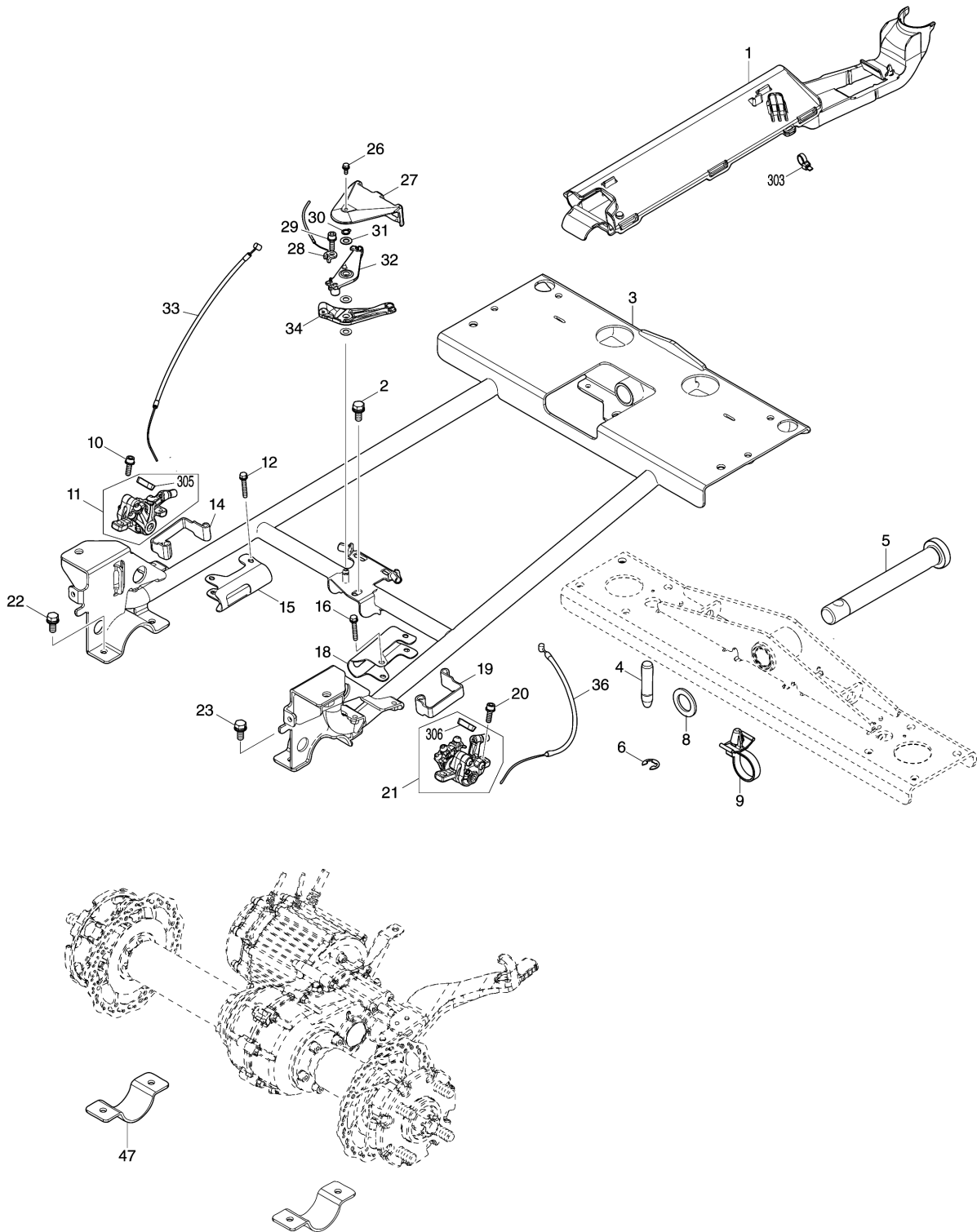
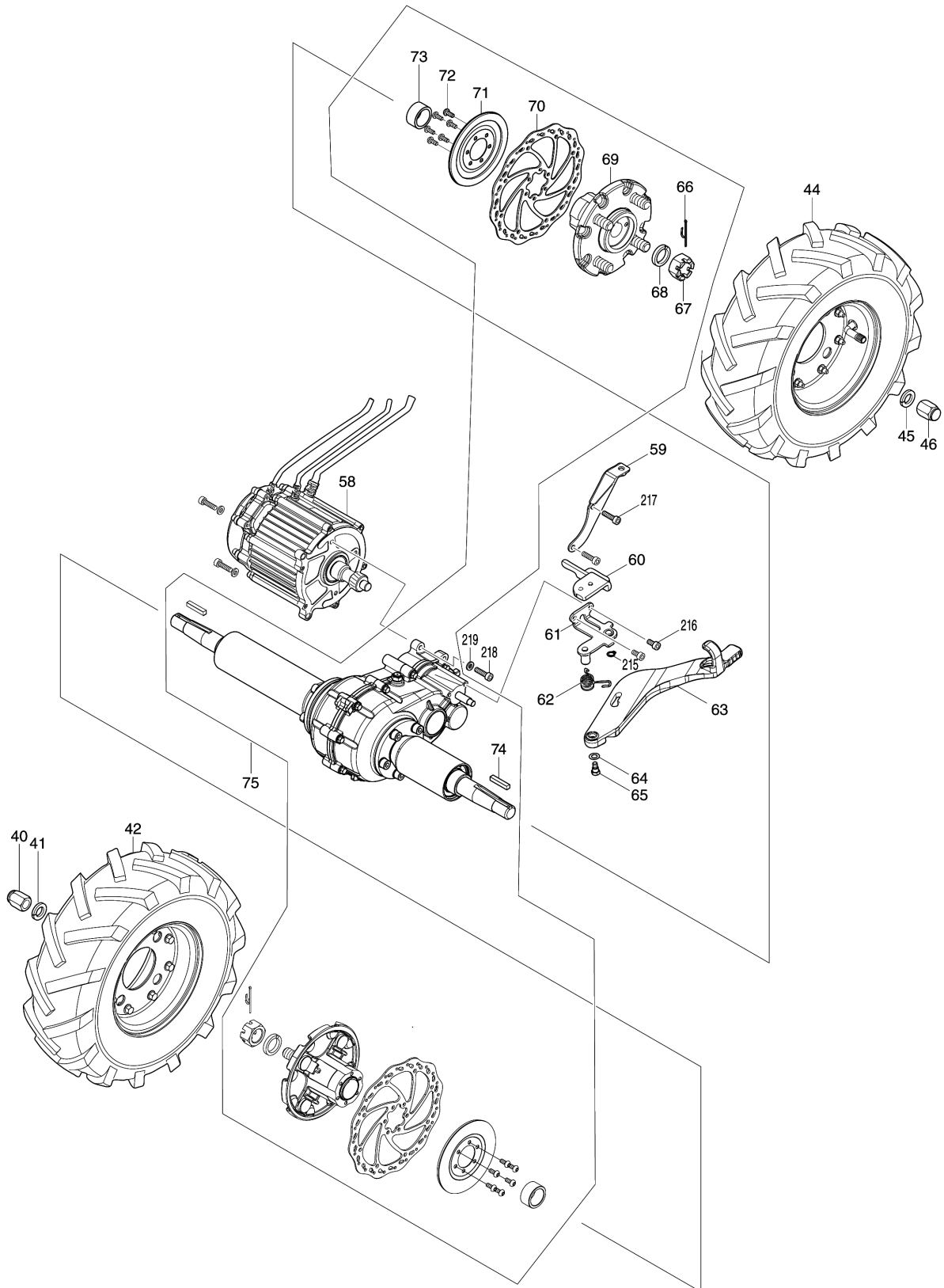


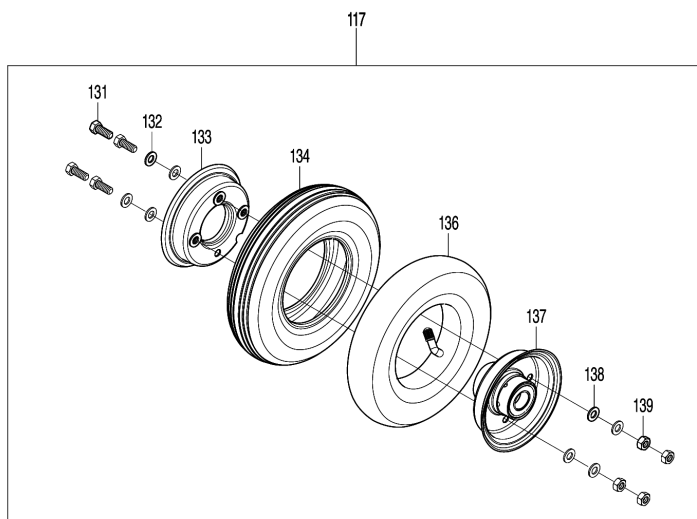
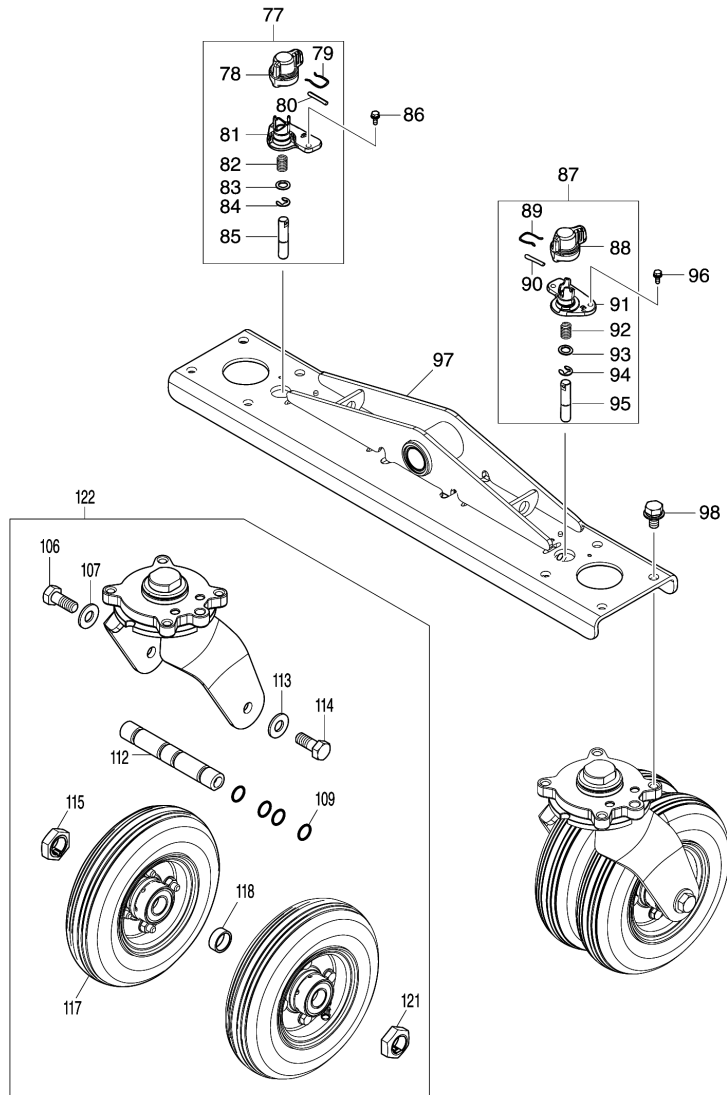
# Model No.DCU604 BATTERY POWERED WHEELBARROW



Model No.DCU604 BATTERY POWERED WHEELBARROW

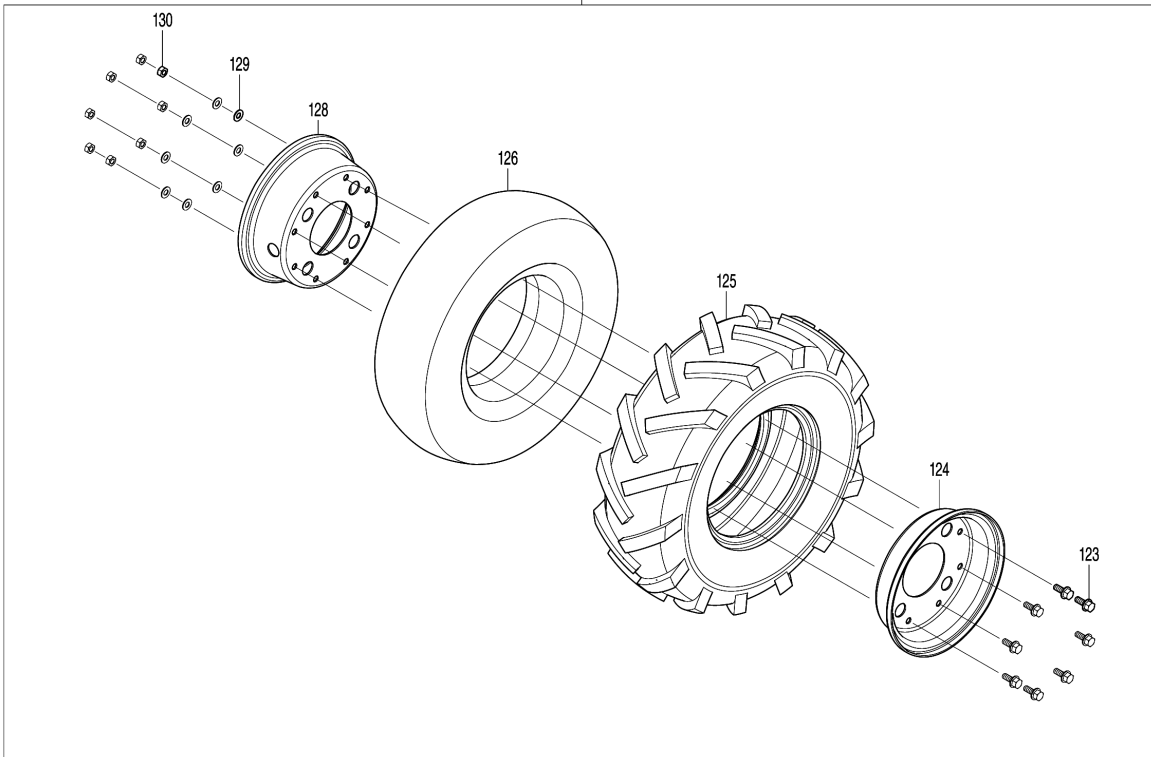


# Model No.DCU604 BATTERY POWERED WHEELBARROW

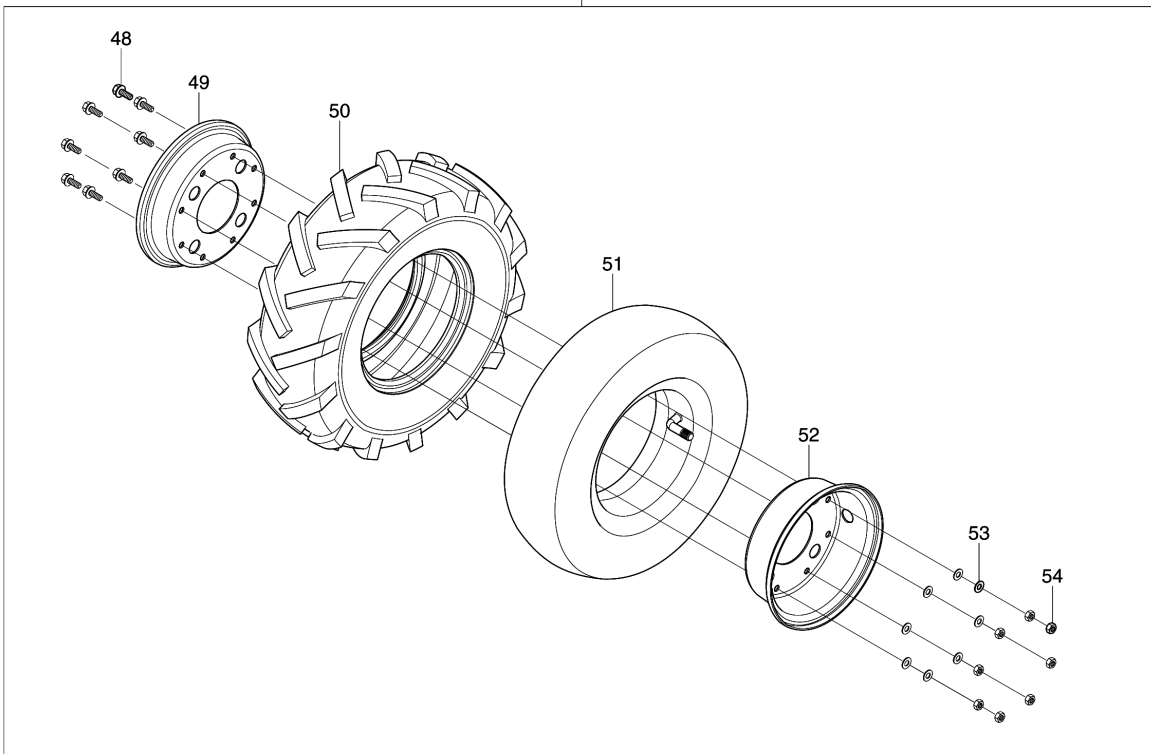


Model No.DCU604 BATTERY POWERED WHEELBARROW

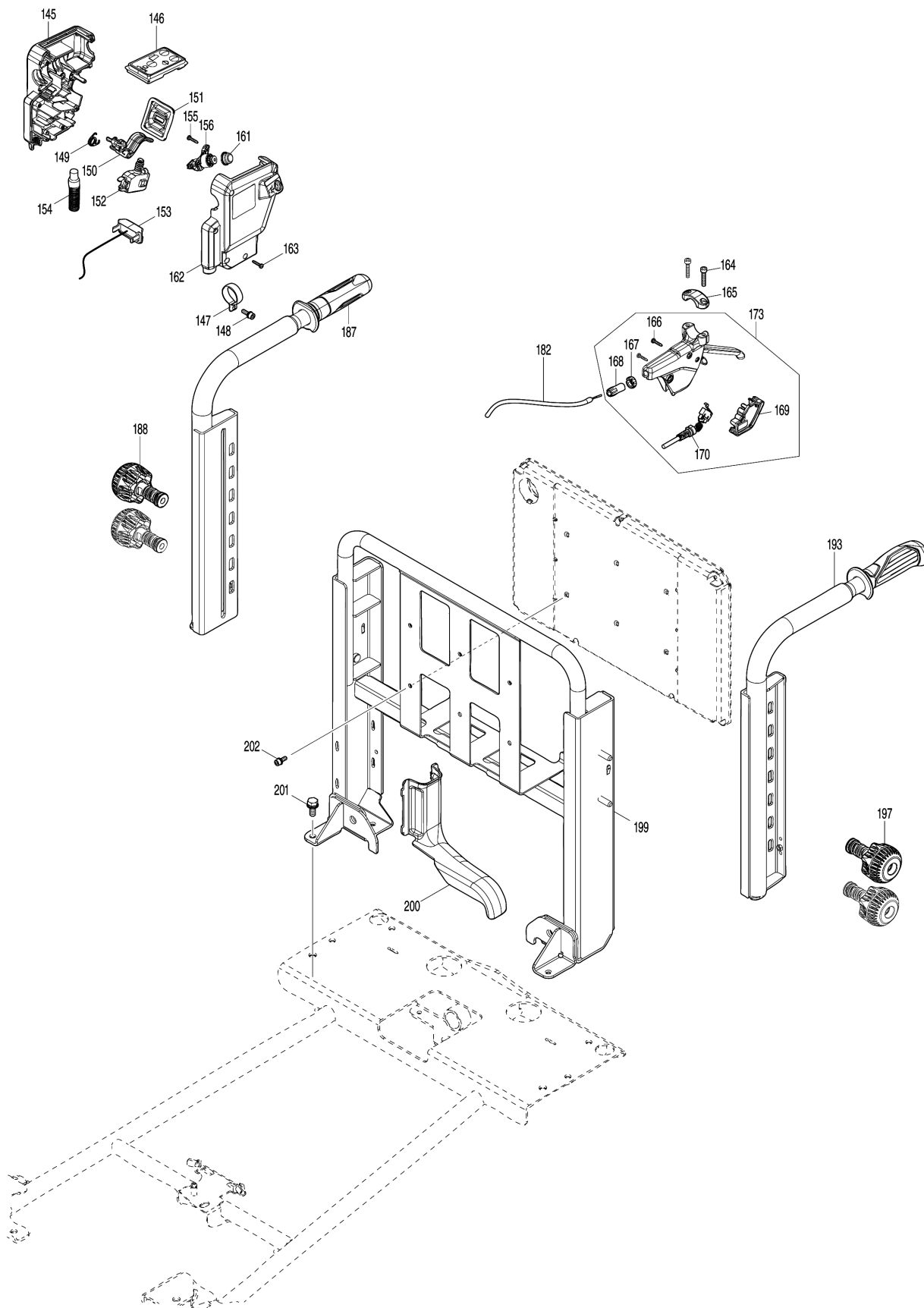
42



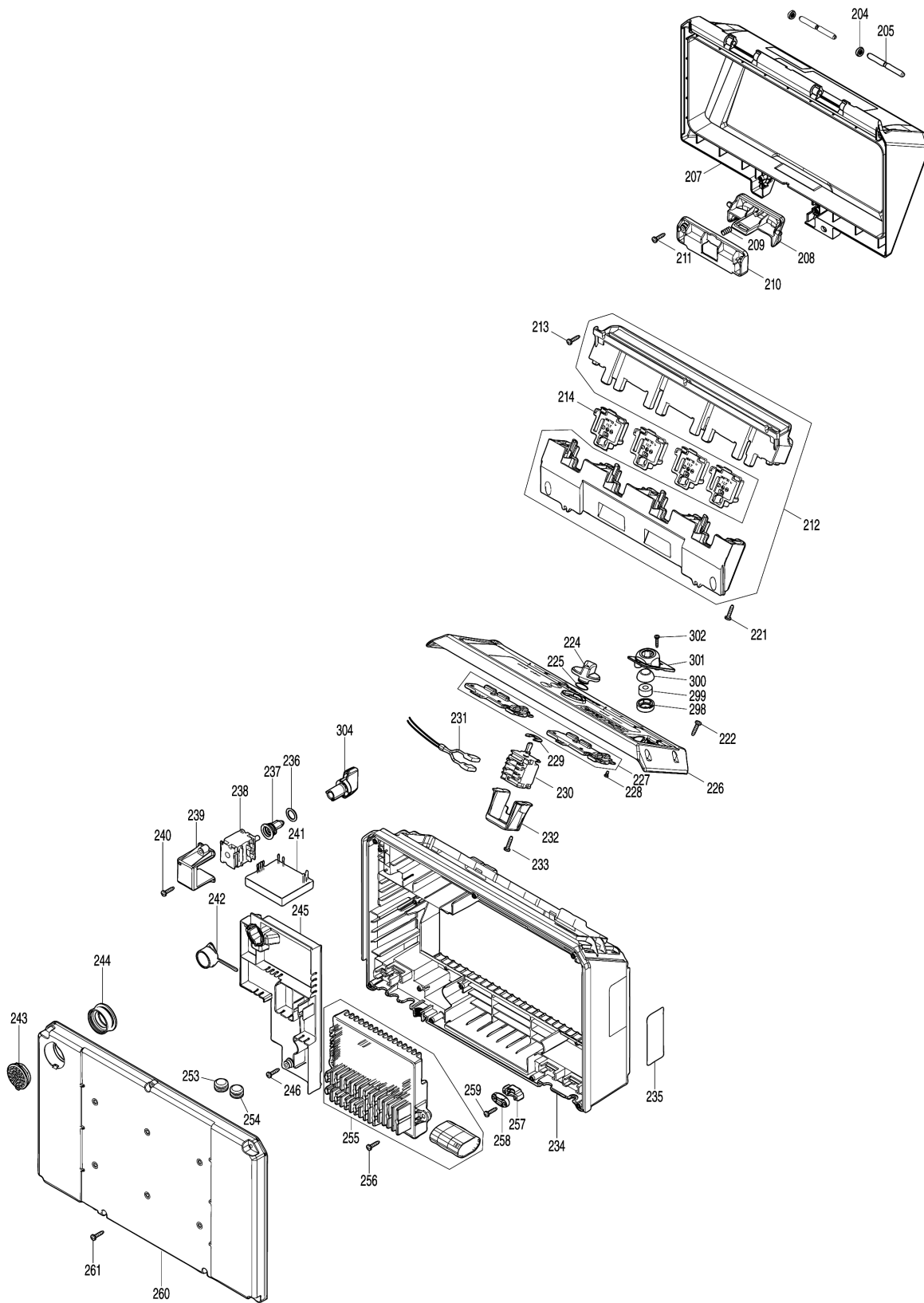
44



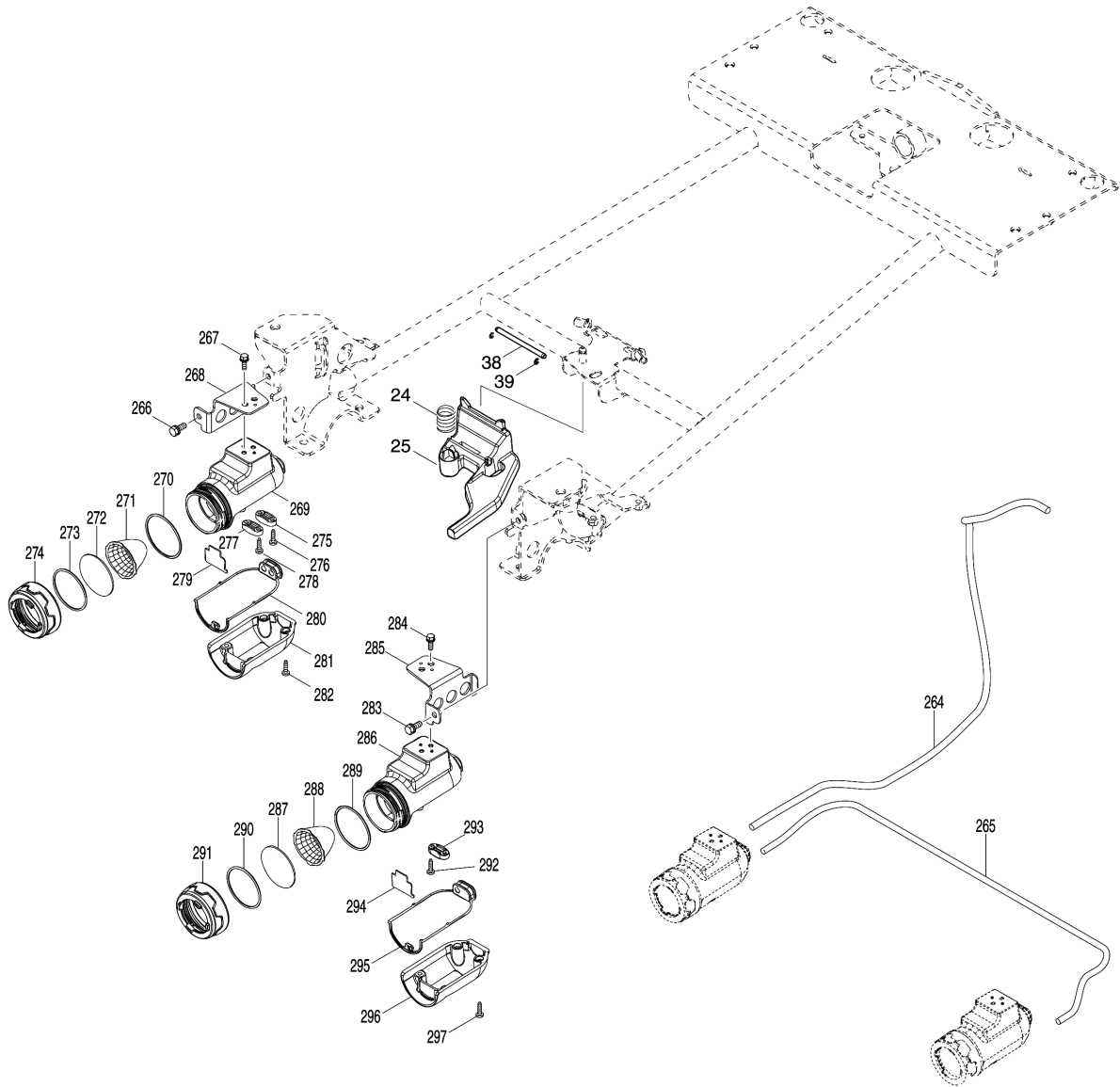
# Model No.DCU604 BATTERY POWERED WHEELBARROW



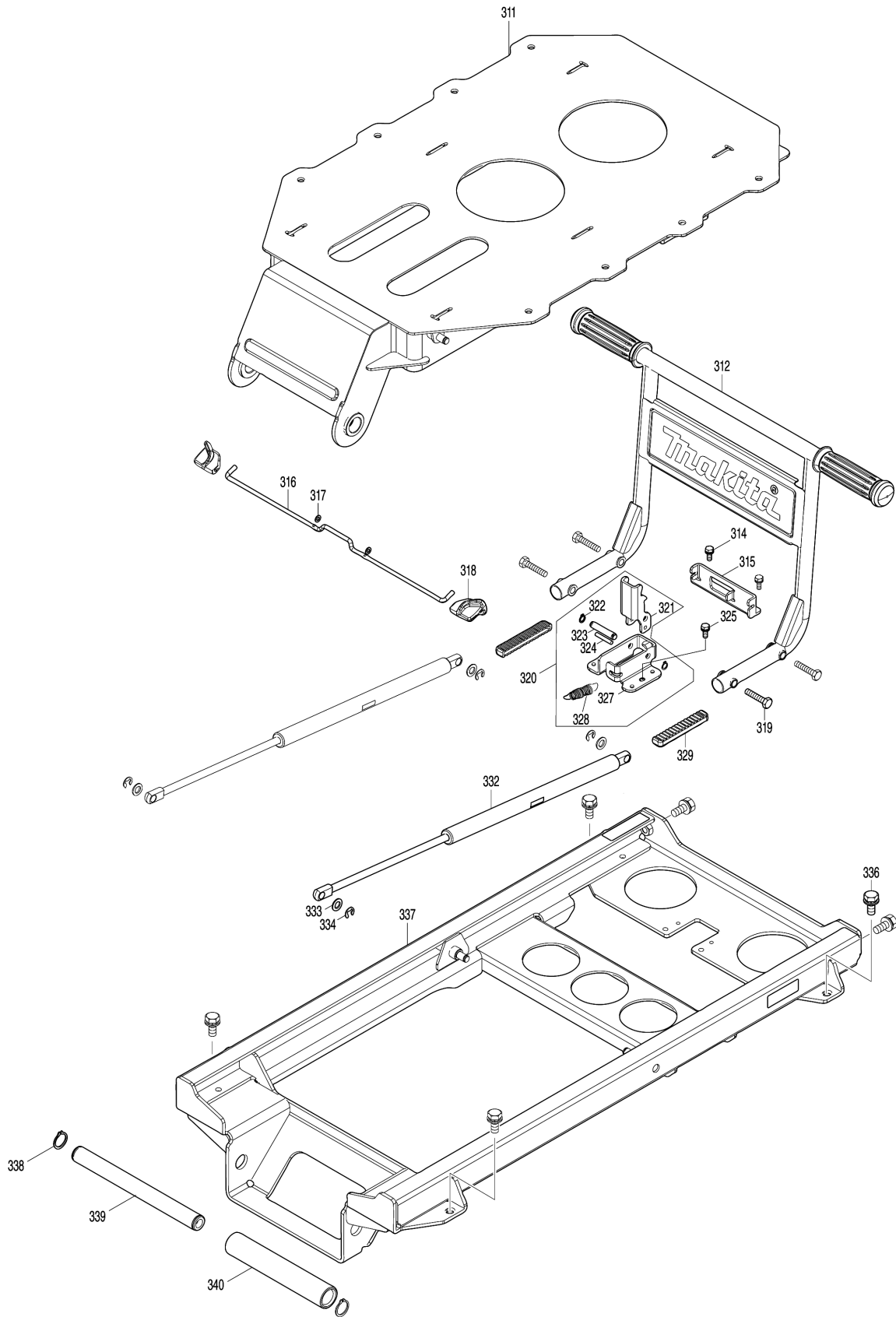
# Model No.DCU604 BATTERY POWERED WHEELBARROW



# Model No.DCU604 BATTERY POWERED WHEELBARROW

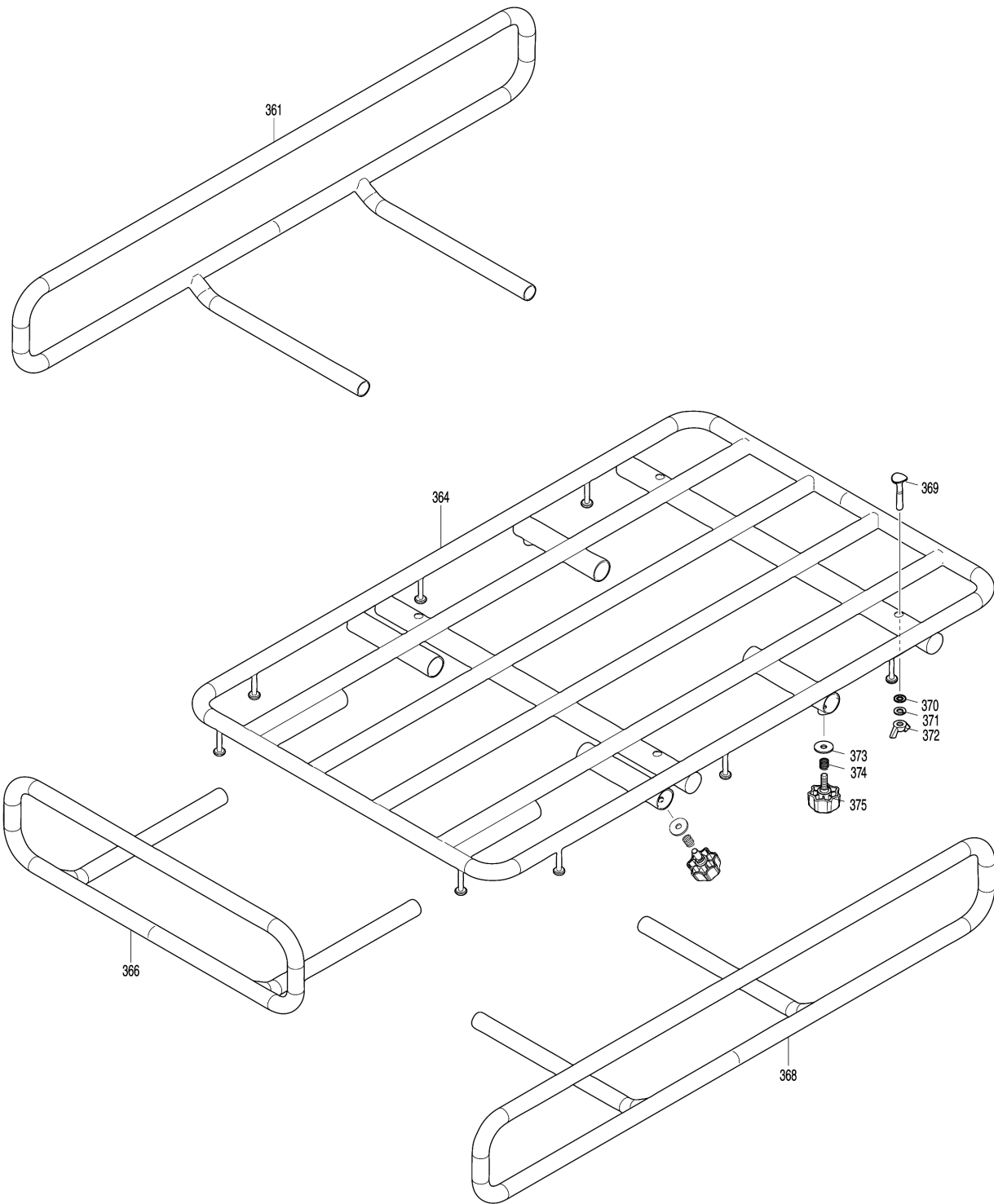


Model No.DCU604 BATTERY POWERED WHEELBARROW





Model No.DCU604 BATTERY POWERED WHEELBARROW



Model No.DCU604 BATTERY POWERED WHEELBARROW

Položka	Číslo dílu	Popis	Změna	Množství	New/Old	Možnost 1	Možnost 2	Poznámka
001	412561-2	CORD COVER		1				
002	265B11-6	HEX. BOLT M8X20 WITH WR		1				
003	141P49-8	MAIN FRAME COMPLETE		1				
C10	8064B2-0	INDICATION LABEL		1				
004	256940-2	PIN 14		1				
005	327472-7	BASE SHAFT 25		1				
006	961062-2	STOP RING E-12		1				
008	261163-9	RUBBER WASHER 25		1				
009	687F01-7	BAND		1				
010	265D23-1	HEX. S.H.B M6X22 WITH GM		2				
011	136868-9	BRAKE CALIPER R ASS'Y		1				
D10		INC. 305						
012	265C76-4	HEX. BOLT M5X35 WITH WR		2				
014	347993-3	SCRAPER		1				
015	347995-9	CLAMP R		1				
016	265C76-4	HEX. BOLT M5X35 WITH WR		2				
018	347994-1	CLAMP L		1				
019	347993-3	SCRAPER		1				
020	265D23-1	HEX. S.H.B M6X22 WITH GM		2				
021	136869-7	BRAKE CALIPER L ASS'Y		1				
D10		INC. 306						
022	265B11-6	HEX. BOLT M8X20 WITH WR		2				
023	265B11-6	HEX. BOLT M8X20 WITH WR		2				
024	232737-3	COMPRESSION SPRING 19		1				
025	413D27-9	NEUTRAL LEVER LOCK		1				
026	265C46-3	HEX. BOLT M4X12 WITH WG		1				
027	413D28-7	BRAKE EQUALIZER COVER		1				
028	347629-4	CABLE CLAMP		1				
029	265B14-0	H.S.H.BOLT M6X20 WITH WR		1				
030	961004-6	RETAINING RING (EXT) S-8		1				
031	253165-9	FLAT WASHER 8		3				
032	319906-4	BRAKE EQUALIZER R		1				
033	140P25-9	BRAKE CABLE 370		1				
034	319905-6	BRAKE EQUALIZER L		1				
036	140P25-9	BRAKE CABLE 370		1				
038	256A03-0	ROD 4.5		1				
039	961017-7	STOP RING E-3		2				
040	252289-8	HEX. CAP NUT M14		4				
041	253475-4	SPRING WASHER 14		4				
042	141G99-9	TIRE 330 R ASSEMBLY		1				
D10		INC. 123-126,128-130						
044	141H00-0	TIRE 330 L ASSEMBLY		1				
D10		INC. 48-54						
045	253475-4	SPRING WASHER 14		4				
046	252289-8	HEX. CAP NUT M14		4				

Please order the parts with part number.

Print Date 15/3/2023

Model No.DCU604 BATTERY POWERED WHEELBARROW

Položka	Číslo dílu	Popis	Změna	Množství	New/Old	Možnost 1	Možnost 2	Poznámka
047	347621-0	CLAMP 57		2				
048	265C39-0	HEX. FLANGE HD. BOLT M6X16		8				
049	347950-1	WHEEL 150		1				
050	422857-3	TIRE 330		1				
051	162B39-4	TUBE 330		1				
C10	GQ00000001	VALVE CAP M8		1				
052	347949-6	WHEEL 150		1				
053	253551-4	FLAT WASHER 6		8				
054	252308-0	HEX. NUT M6-10		8				
058	122E51-4	MOTOR ASSEMBLY		1				
059	347698-5	DIFF BRACKET		1				
060	347A16-3	NEUTRAL LEVER		1				
061	347697-7	NEUTRAL LEVER HOLDER		1				
062	232616-5	TORSION SPRING 14		1				
063	413D41-5	NEUTRAL CHANGE LEVER		1				
064	253430-6	FLAT WASHER 8		1				
065	265465-5	HEX. SOCKET HEAD BOLT M6		1				
066	NP00000001	SPLIT PIN 3-35		2				
067	NP00000002	HEX. NUT M20		2				
068	NP00000003	SPRING WASHER 22		2				
069	313304-4	HUB		2				
070	347208-8	BRAKE DISC		2				
071	141P62-6	PLATE COMPLETE		2				
072	265C87-9	H.S.B. HEAD SCREW M5X12		12				
073	327626-6	SLEEVE 25		2				
074	NP00000004	KEY 6		2				
075	122D22-5	DIFFERENTIAL GEAR UNIT		1				
D10		INC. 66-74						
077	122C29-5	TURNING LOCK R ASSEMBLY		1				
D10		INC. 78-85						
078	413D33-4	LOCK LEVER		1				
079	327938-7	SNAP RETAINER		1				
080	268181-8	PIN 3		1				
081	413D32-6	LIFTER GUIDE R		1				
082	232617-3	COMPRESSION SPRING 10		1				
083	253173-0	FLAT WASHER 10		1				
084	961013-5	STOP RING E-7		1				
085	256A04-8	PIN 10		1				
086	265C46-3	HEX. BOLT M4X12 WITH WG		2				
087	122C28-7	TURNING LOCK L ASSEMBLY		1				
D10		INC. 88-95						
088	413D33-4	LOCK LEVER		1				
089	327938-7	SNAP RETAINER		1				

Please order the parts with part number.

Print Date 15/3/2023

Model No.DCU604 BATTERY POWERED WHEELBARROW

Položka	Číslo dílu	Popis	Změna	Množství	New/Old	Možnost 1	Možnost 2	Poznámka
090	268181-8	PIN 3		1				
091	413D31-8	LIFTER GUIDE L		1				
092	232617-3	COMPRESSION SPRING 10		1				
093	253173-0	FLAT WASHER 10		1				
094	961013-5	STOP RING E-7		1				
095	256A04-8	PIN 10		1				
096	265C46-3	HEX. BOLT M4X12 WITH WG		2				
097	162712-4	REAR BASE		1				
098	265B13-2	HEX. BOLT M10X20 WITH WG		8				
106	265B10-8	HEX BOLT M12X40		1				
107	253460-7	FLAT WASHER 13		1				
109	213211-0	O RING 15		4				
112	327646-0	AXLE 20		1				
113	253460-7	FLAT WASHER 13		1				
114	265B10-8	HEX BOLT M12X40		1				
115	136835-4	HEX. SLEEVE 20 ASS'Y		1				
C10	263027-3	RUBBER PIN 4		1				
117	141H01-8	TIRE 210 ASSEMBLY		2				
D10		INC. 131-134,136-139						
118	257498-4	RING 20		1				
121	136835-4	HEX. SLEEVE 20 ASS'Y		1				
C10	263027-3	RUBBER PIN 4		1				
122	127457-1	CASTER 210 ASSEMBLY		2				
D10		INC. 106,107,109,112-115,						
D20		INC. 117,118,121						
123	265C39-0	HEX. FLANGE HD. BOLT M6X16		8				
124	347950-1	WHEEL 150		1				
125	422857-3	TIRE 330		1				
126	162B39-4	TUBE 330		1				
C10	GQ00000001	VALVE CAP M8		1				
128	347949-6	WHEEL 150		1				
129	253551-4	FLAT WASHER 6		8				
130	252308-0	HEX. NUT M6-10		8				
131	265C40-5	HEX. BOLT M8X20		4				
132	253552-2	FLAT WASHER 8		4				
133	347952-7	WHEEL 100		1				
134	422860-4	TIRE 210		1				
136	162B40-9	TUBE 210		1				
C10	GQ00000001	VALVE CAP M8		1				
137	347951-9	WHEEL 100		1				
138	253552-2	FLAT WASHER 8		4				
139	252309-8	HEX. NUT M8-13		4				
145	183X90-3	SWITCH BOX SET		1				
C10	8065A9-5	CAUTION LABEL		1				

Please order the parts with part number.

Print Date 15/3/2023

Model No.DCU604 BATTERY POWERED WHEELBARROW

Položka	Číslo dílu	Popis	Změna	Množství	New/Old	Možnost 1	Možnost 2	Poznámka
D10		INC. 162						
146	140P26-7	SWITCH CIRCUIT COMPLETE		1				
C10	183X57-1	SWITCH PLATE SET		1				
C20	266490-9	TAPPING SCREW PT 2X6		3				
147	346249-1	PIPE CLAMP 28		1				
148	265A97-4	H.S.H.BOLT M5X16 WITH WR		1				
149	232738-1	TORSION SPRING 11		1				
150	412206-2	SWITCH LEVER		1				
151	422554-1	LEVER COVER		1				
152	651395-0	SWITCH C3JW-6B-PA6N		1				
153	620C26-0	LED CIRCUIT		1				
154	699178-0	POWER SUPPLY CORD UNIT		1				
155	266130-9	TAPPING SCREW BIND PT 3X16		2				
156	122C26-1	BUZZER SWITCH ASSEMBLY		1				
C10	632T14-7	SWITCH UNIT		1				
161	422555-9	SWITCH COVER		1				
162	183X90-3	SWITCH BOX SET		1				
C10	8065A9-5	CAUTION LABEL		1				
D10		INC. 145						
163	266130-9	TAPPING SCREW BIND PT 3X16		6				
164	265C98-4	HEX SOCKET HEAD BOLT M5X25		2				
165	312C48-1	CLAMP 22		1				
166	266130-9	TAPPING SCREW BIND PT 3X16		2				
167	312C44-9	ADJUST NUT		1				
168	312C43-1	ADJUST BOLT		1				
169	413D25-3	SWITCH HOLDER		1				
170	632T13-9	SWITCH UNIT		1				
173	127458-9	BRAKE LEVER ASSEMBLY		1				
D10		INC. 166-170						
182	140P23-3	BRAKE CABLE 1590		1				
187	140T47-3	HANDLE R COMPLETE		1				
188	141H20-4	HANDLE LOCK KNOB		2				
C10	232739-9	COMPRESSION SPRING 15		2				
C20	313400-8	SPRING HOLDER		2				
193	140P15-2	HANDLE L COMPLETE		1				
197	141H20-4	HANDLE LOCK KNOB		2				
C10	232739-9	COMPRESSION SPRING 15		2				
C20	313400-8	SPRING HOLDER		2				
199	141N97-5	HANDLE BASE COMPLETE		1				
C10	8059G2-2	INDICATION LABEL		1				
200	412562-0	HANDLE BASE COVER		1				
201	265B11-6	HEX. BOLT M8X20 WITH WR		4				
202	265A96-6	H.S.H.BOLT M5X14 WITH WR		6				

Please order the parts with part number.

Print Date 15/3/2023

Model No.DCU604 BATTERY POWERED WHEELBARROW

Položka	Číslo dílu	Popis	Změna	Množství	New/Old	Možnost 1	Možnost 2	Poznámka
204	262206-0	RUBBER RING 6		2				
205	256942-8	ROD 6		2				
207	141K01-6	BATTERY COVER COMPLETE		1				
C10	8048W7-5	CAUTION LABEL		1				
C20	8059G1-4	INDICATION LABEL		1				
C30	816M70-5	INDICATION LABEL		1				
208	412195-1	BATTERY COVER HOOK		1				
209	231240-1	COMPRESSION SPRING 7		1				
210	412533-7	HOOK RETAINER		1				
211	266326-2	TAPPING SCREW 4X18		2				
212	183V34-1	TERMINAL CASE SET		1				
C10	263005-3	RUBBER PIN 6		8				
213	266326-2	TAPPING SCREW 4X18		5				
214	644809-6	TERMINAL		4				
215	961004-6	RETAINING RING (EXT) S-8		1				
216	265C85-3	HEX SOCKET HEAD BOLT M6X12		2				
217	265C86-1	HEX SOCKET HEAD BOLT M6X22		2				
218	265C86-1	HEX SOCKET HEAD BOLT M6X22		3				
219	347A43-0	SPACER 6		3				
221	266326-2	TAPPING SCREW 4X18		5				
222	266326-2	TAPPING SCREW 4X18		4				
224	412196-9	CHANGE LEVER		1				
225	213A15-6	O-RING 14		1				
226	141L75-3	TOP COVER COMPLETE		1				
C10	8048W3-3	INDICATION LABEL		1				
227	620C24-4	INDICATION CIRCUIT		1				
228	265C42-1	TAPPING SCREW 3X6		10				
229	961062-2	STOP RING E-12		1				
230	651444-3	SWITCH 1703.4703		1				
231	638A27-2	LEAD UNIT		1				
232	451343-7	SWITCH HOLDER		1				
233	266326-2	TAPPING SCREW 4X18		2				
234	412188-8	CENTER CASE		1				
235	8118L6-3	DCU604 NAME PLATE		1				
236	213A15-6	O-RING 14		1				
237	413D29-5	KEY JOINT		1				
238	650622-2	SWITCH		1				
239	451343-7	SWITCH HOLDER		1				
240	266326-2	TAPPING SCREW 4X18		2				
241	620G67-0	CONTROLLER		1				
242	620C25-2	BUZZER CIRCUIT		1				
243	413D35-0	BUZZER COVER		1				
244	422840-0	GROMMET		1				

Please order the parts with part number.

Print Date 15/3/2023

Model No.DCU604 BATTERY POWERED WHEELBARROW

Položka	Číslo dílu	Popis	Změna	Množství	New/Old	Možnost 1	Možnost 2	Poznámka
245	412194-3	INNER CASE		1				
246	266326-2	TAPPING SCREW 4X18		2				
253	682114-3	GROMMET		1				
254	682114-3	GROMMET		1				
255	620D13-5	CONTROLLER		1				
256	266326-2	TAPPING SCREW 4X18		2				
257	687051-6	STRAIN RELIEF		1				
258	687124-5	STRAIN RELIEF		1				
259	266326-2	TAPPING SCREW 4X18		2				
260	412190-1	FRONT COVER		1				
261	266326-2	TAPPING SCREW 4X18		7				
264	699180-3	POWER SUPPLY CORD UNIT		1				
265	699181-1	POWER SUPPLY CORD UNIT		1				
266	265B16-6	HEX. BOLT M6X16 WITH WR		1				
267	265B17-4	HEX. BOLT M5X16 WITH WR		2				
268	347622-8	LIGHT STAY R		1				
269	319594-7	LIGHT CASE		1				
270	213656-2	O RING 53		1				
271	457636-0	REFLECTOR		1				
272	457634-4	LENS		1				
273	213604-1	O RING 50		1				
274	457635-2	COVER		1				
275	687124-5	STRAIN RELIEF		1				
276	266034-5	TAPPING SCREW CT 4X16		2				
277	687124-5	STRAIN RELIEF		1				
278	266034-5	TAPPING SCREW CT 4X16		2				
279	620685-2	LED CIRCUIT		1				
280	422151-3	PACKING		1				
281	319595-5	LIGHT CASE COVER		1				
282	266034-5	TAPPING SCREW CT 4X16		4				
283	265B16-6	HEX. BOLT M6X16 WITH WR		1				
284	265B17-4	HEX. BOLT M5X16 WITH WR		2				
285	347623-6	LIGHT STAY L		1				
286	319594-7	LIGHT CASE		1				
287	457634-4	LENS		1				
288	457636-0	REFLECTOR		1				
289	213656-2	O RING 53		1				
290	213604-1	O RING 50		1				
291	457635-2	COVER		1				
292	266034-5	TAPPING SCREW CT 4X16		2				
293	687124-5	STRAIN RELIEF		1				
294	620685-2	LED CIRCUIT		1				
295	422166-0	PACKING		1				
296	319595-5	LIGHT CASE COVER		1				
297	266034-5	TAPPING SCREW CT 4X16		4				

Please order the parts with part number.

Print Date 15/3/2023

Model No.DCU604 BATTERY POWERED WHEELBARROW

Položka	Číslo dílu	Popis	Změna	Množství	New/Old	Možnost 1	Možnost 2	Poznámka
298	413D37-6	LEVEL CASE		1				
299	242101-0	LEVEL INDICATOR		1				
300	413D36-8	LEVEL COVER		1				
301	413D38-4	LEVEL RETANER		1				
302	266130-9	TAPPING SCREW BIND PT 3X16		2				
303	687F00-9	BAND		1				
304	413D30-0	KEY		1				
305	422961-8	PAD RETAINER		1				
306	422961-8	PAD RETAINER		1				
311	162717-4	UPPER FRAME		1				
312	140P16-0	DUMP HANDLE COMPLETE		1				
C10	8048W5-9	MAKITA LOGO LABEL		1				
314	265B16-6	HEX. BOLT M6X16 WITH WR		2				
315	347628-6	HOLDER		1				
316	327470-1	ROD 5		1				
317	941102-2	FLAT WASHER 5		2				
318	412197-7	KNOB		2				
319	921461-0	HEX. BOLT M8X40		4				
320	122C30-0	DUMP LOCK ASSEMBLY		1				
D10		INC. 321-324,327,328						
321	347626-0	ARM		1				
322	961004-6	RETAINING RING (EXT) S-8		2				
323	256943-6	PIN 8		1				
324	256196-7	PIN 5		1				
325	265B16-6	HEX. BOLT M6X16 WITH WR		2				
327	347627-8	BASE		1				
328	232618-1	TENSION SPRING 11		1				
329	422556-7	CUSHION RUBBER		2				
332	162816-2	GAS SPRING 240		2				
333	941252-3	FLAT WASHER 10		4				
334	961014-3	STOP RING E-8		4				
336	265508-3	HEX.BOLT M10X25		6				
337	141N98-3	DUMP BASE COMPLETE		1				
C10	8059G3-0	CAUTION LABEL		2				
C20	8059G6-4	INDICATION LABEL		1				
C30	8059G7-2	INDICATION LABEL		1				
338	961102-6	RETAINING RING S-22		2				
339	327474-3	SHAFT 22		1				
340	327480-8	SLEEVE 22		1				
361	141N88-6	SIDE GUARD COMPLETE		1				
C10	457744-7	CAP 22		2				
364	141N87-8	PIPE FRAME COMPLETE		1				
C10	457743-9	CAP 30		4				
366	141N89-4	FRONT GUARD COMPLETE		1				

Please order the parts with part number.

Print Date 15/3/2023



Model No.DCU604 BATTERY POWERED WHEELBARROW

Položka	Číslo dílu	Popis	Změna	Množství	New/Old	Možnost 1	Možnost 2	Poznámka
C10	457744-7	CAP 22		2				
368	141N88-6	SIDE GUARD COMPLETE		1				
C10	457744-7	CAP 22		2				
369	265C30-8	FLAT HEAD BOLT M8X50		4				
370	253165-9	FLAT WASHER 8		4				
371	942201-3	SPRING WASHER 8		4				
372	934401-9	WING NUT M8		4				
373	253852-0	FLAT WASHER 8		6				
374	232710-3	COMPRESSION SPRING 12		6				
375	251541-1	THUMB SCREW M8X25		6				
376	941201-0	FLAT WASHER 8		1				
F01	191B63-0	DUMP UNIT SET		1				
F02	191B67-2	CARRIER SET		1				
F03	1911K4-7	TIRE 330 (SINGLE) SET		1				
F04	1911K5-5	GRAY TIRE 330 (SINGLE) SET		1				
F05	1911K6-3	GRAY TIRE 210 (SINGLE) SET		1				

Please order the parts with part number.

Print Date 15/3/2023