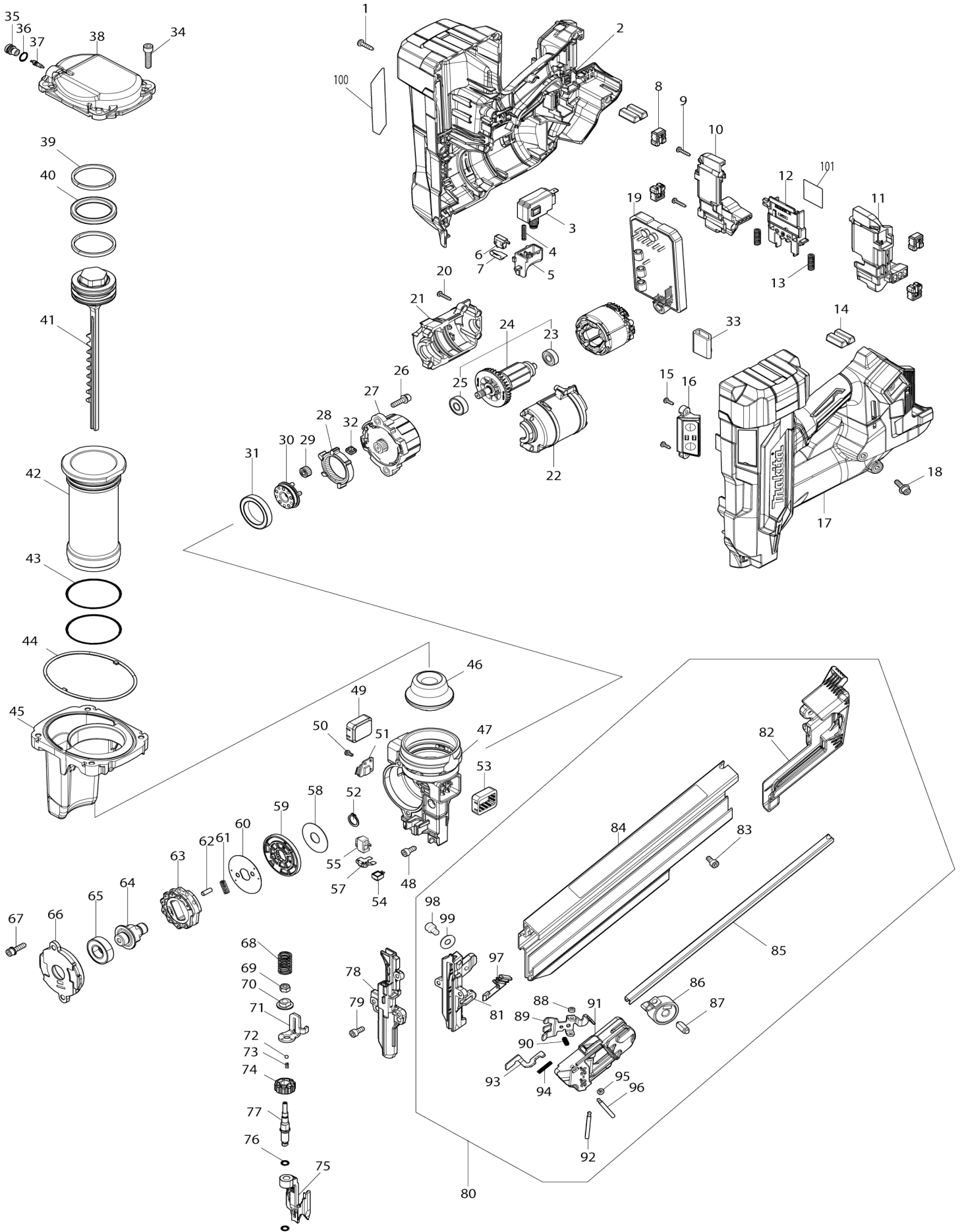


Model No.DBN900 90MM CORDLESS FRAMING NAILER



Model No.DBN900 90MM CORDLESS FRAMING NAILER

Obj. č.	Obj. č.	Popis	Možn ost zá měny	Množ ství	Nový/ Starý	Poznámka 1	Poznámka 2
001	265995-6	šroub 4x18 = old 265941-9		12			
002	1830P5-8	HOUSING SET		1	*	bytov	
002		INC. 17			*		
002-1	1831E2-3	HOUSING SET	<	1			
C10	263032-0	gumový čep		2		gumov	
002-1		INC. 17					
003	650060-8	SWITCH C3JR-5BM-PAND-2		1		vyp	
004	232848-4	COMPRESSION SPRING 4		1		pru	
005	413X17-2	TRIGGER		1		spou	
006	632V61-0	SWITCH UNIT		1		vyp	
007	232842-6	LEAF SPRING		1		listov	
008	422B50-1	HOLDER CUSHION		4		dr	
009	266130-9	šroub PT 3X		2			
010	1830M8-1	BATTERY HOLDER SET		1		dr	
C10	263005-3	vymezovací čep 6		2			
010		INC. 11					
011	1830M8-1	BATTERY HOLDER SET		1		dr	
C10	263005-3	vymezovací čep 6		2			
011		INC. 10					
012	654908-6	TERMINAL		1		termin	
013	232876-9	COMPRESSION SPRING 7		2		pru	
014	422B17-9	BATTERY CUSHION		2		pol	
015	266007-8	Tapping Screw Bind PT3x1=old3 20266007		2		Tapping Screw Bind P T3x1=old320266007	
016	620P22-6	SWITCH CIRCUIT COMPLETE		1		sp	
017	1830P5-8	HOUSING SET		1	*	bytov	
017		INC. 2			*		
017-1	1831E2-3	HOUSING SET	<	1			
C10	263032-0	gumový čep		2		gumov	
017-1		INC. 2					
018	265D66-3	H.S.H.BOLT M5X20 WITH WG		1			
019	629C77-0	STATOR COMPLETE		1		stator kompletn	
020	266130-9	šroub PT 3X		5			
021	1830P6-6	MOTOR HOUSING SET		1		set sk	
021		INC. 22					
022	1830P6-6	MOTOR HOUSING SET		1		set sk	
022		INC. 21					
023	210169-4	BALL BEARING 607LLB		1		lo	
024	519862-0	ROTOR ASS'Y		1		rotor	
024		INC. 23,25					
025	210223-4	BALL BEARING 608ZZ		1		lo	
026	922233-6	H.S.H.BOLT M5X20 WITH WR		2			
027	122G07-9	GEAR ASSEMBLY		1		p	
028	227B41-5	INTERNAL GEAR 44		1		ozuben	
029	227B54-6	SPUR GEAR 13		5		ozuben	
030	141U61-8	CARRIER COMPLETE		1		nosi	
031	211423-9	BALL BEARING 6806DDW		1		lo	
032	422B18-7	GEAR CHSHION		4		dil p	

033	685722-9	molitanový kryt kondenzátoru		1		molitanov	
034	922342-1	imbus M6x25		4		imbus M6x25	
035	327D23-0	VALVE CAP		1		v	
036	213007-9	o-kroužek 8		1		o-krou	
037	243138-0	VALVE CORE		1		j	
038	312E84-9	TOP CAP		1		top kapka	
039	413X16-4	SLIDE RING		2		posuvn	
040	213A70-8	X-RING 40		1		krou	
041	141U59-5	DRIVER COMPLETE		1		ovlada	
042	327D22-2	CYLINDER		1		v	
043	213663-5	o-kroužek 55		2		o-krou	
044	422B15-3	SEAL RING		1		pe	
045	141U65-0	CHAMBER COMPLETE		1		komora kompletn	
046	422B14-5	FRONT CUSHION		1		p	
047	312E81-5	NOSE		1		nos	
048	265D55-8	H.S.H BOLT M5X12		3			
049	422B16-1	SIDE CUSHION		1		bo	
050	265173-8	šroub M3x8		2			
051	620N67-2	SENSOR CIRCUIT		1		obvod sn	
052	961053-3	RETAINING RING (EXT) S-13		1		pojistn	
053	422B16-1	SIDE CUSHION		1		bo	
054	620R02-4	LED CIRCUIT		1		led okruh	
055	137163-0	SWITCH ASSEMBLY		1		vyp	
057	232843-4	LEAF SPRING		1		listov	
058	253595-4	FLAT WASHER 14		1		ploch	
059	141U60-0	HOLDER COMPLETE		1		dr	
060	347C07-6	PIN COVER		1		kryt kol	
061	232846-8	COMPRESSION SPRING 4		1		tlakov	
062	256A54-3	PIN 5		9			
063	327D06-0	LIFTER		1		lifter	
064	327D05-2	LIFTER SHAFT		1		zdvihac	
065	211236-8	kulič. ložisko 6002DDW = old 211227-9		1		kuli	
066	312E82-3	LIFTER CAP		1		zdvihac	
067	922233-6	H.S.H.BOLT M5X20 WITH WR		2	*		
067-1	265D66-3	H.S.H.BOLT M5X20 WITH WG	<	2			
068	232847-6	COMPRESSION SPRING 12		1		kompresn	
069	264027-6	HEX LOCK NUT M6-10		1			
070	327D17-5	ADJUSTER SLEEVE		1		ruk	
071	347C06-8	CONTACT ARM		1		kontaktn	
072	216001-0	kulička 3.5		1			
073	232417-1	COMPRESSION SPRING 3		1			
074	413X07-5	ADJUSTER DIAL		1		nastaven	
075	313502-0	CONTACT TOP		1		kontakt top	
076	213005-3	O RING 5		2		o krou	
077	327D20-6	ADJUSTER SHAFT		1		se	
078	313503-8	DRIVER GUIDE		1		pr	
079	265D55-8	H.S.H BOLT M5X12		2			
080	122H35-0	MAGAZINE ASS'Y		1		z	
080		INC. 81-99					
081	313504-6	UNDER DRIVER GUIDE		1		pod pr	
082	413X12-2	MAGAZINE CAP		1			

083	922212-4	imbus M5x12		1		imbus M5x12	
084	141V05-4	MAGAZINE COMPLETE		1			
C10	8076T9-7	CAUTION LABEL		1			
085	347C08-4	NAIL RAIL		1			
086	141U43-0	SPIRAL SPRING COMPLETE		1			
087	256428-2	PIN 5-8		1			
088	262054-7	o kroužek		1		o krou	
089	347C10-7	PUSHER		1			
090	234084-8	COMPRESSION SPRING 3		1			
091	413X13-0	PUSHER LEVER		1			
092	256A57-7	PIN 4		1			
093	347C09-2	LOCK PLATE		1			
094	232354-9	COMPRESSION SPRING 3		1	*		
094-1	233339-8	COMPRESSION SPRING 3	<	1			
095	262054-7	o kroužek		1		o krou	
096	256A57-7	PIN 4		1			
097	422B13-7	PUSHER CUSHION		1			
098	265915-0	HEX. SOCKET HEAD BOLT M6X10		1			
099	267426-1	FLAT WASHER 7		1	*		
099-1	267214-6	podložka	<	1		podlo	
100	8146W2-5	DBN900 NAME PLATE		1			
101	8146W3-3	DBN900 SERIAL NO.LABEL		1			
A01	141X57-7	HOOK ASSEMBLY		1			
A02	265D55-8	H.S.H BOLT M5X12		3			
A03	347C14-9	HOOK		1			
A04	4130T1-3	NOSE ADAPTER		1			
A05	783202-0	klíč inbus 4		1		kl	
A06	824937-5	PLASTIC CARRYING CASE		1			
C10	162271-8	přezka kufru		2			
A07	836321-2	INNER TRAY		1			

Prosím uveďte objednáací číslo dílu v objednávce

Datum tisku 12. 11. 2024