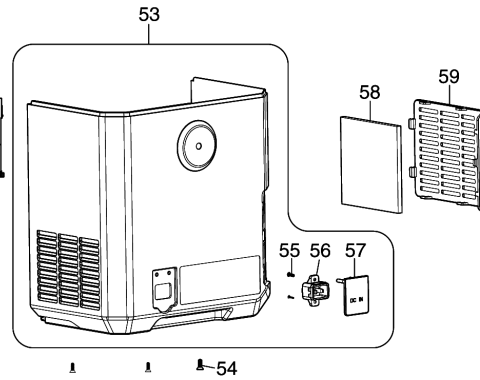
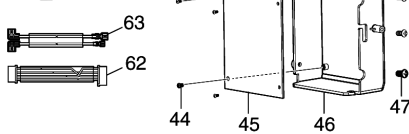
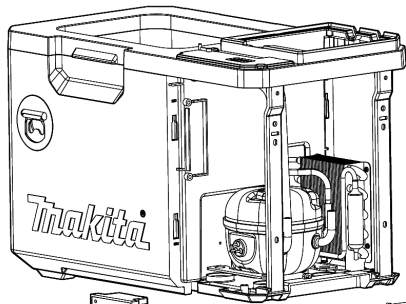
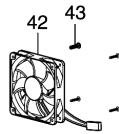
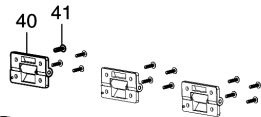
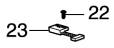
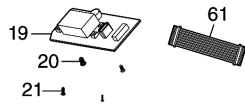
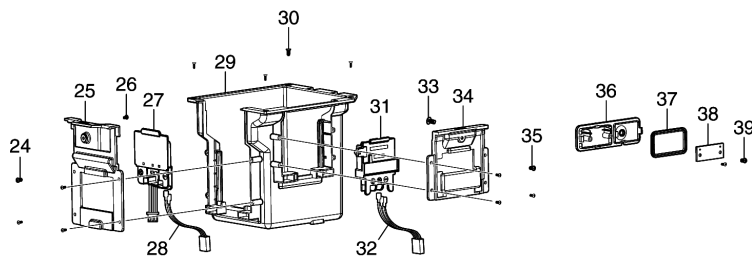
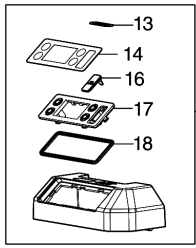
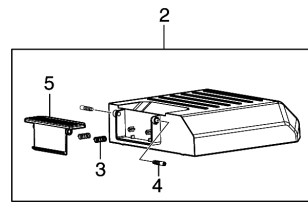
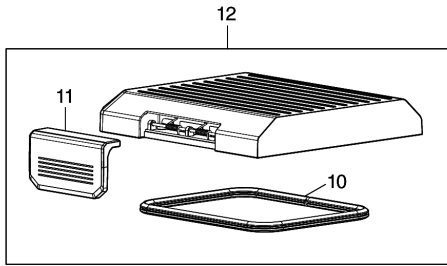
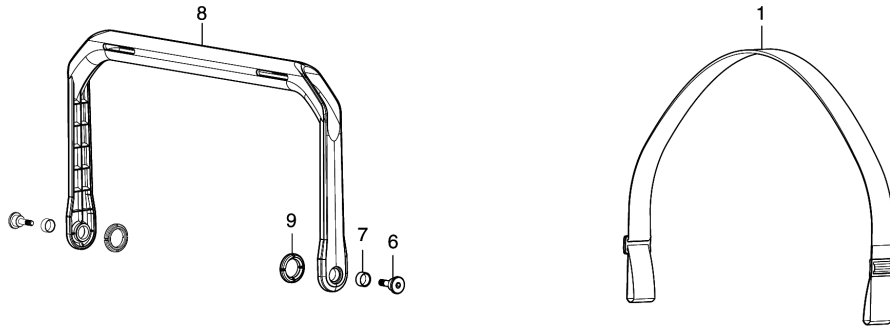


Model No.CW003G CORDLESS COOLER & WARMER BOX



Model No.CW003G CORDLESS COOLER & WARMER BOX

Položka	Číslo dílu	Popis	Změna	Množství	New/Old	Možnost 1	Možnost 2	Poznámka
001	A-71093	SHOULDER BELT		1				
002	WL00000176	BATTERY COVER ASSY		1				
D10		INC. 3,4,5						
003	WL00000010	COMPRESSION SPRING 5MM		2				
004	WL00000090	SHAFT		2				
005	WL00000177	HANDLE A		1				
006	WL00000178	HEX. SOCKET HEAD SCREW		2				
007	WL00000179	SLEEVE		2				
008	WL00000180	CARRY HANDLE		1				
009	WL00000181	SILICONE RING		2				
010	WL00000182	SEALING		1				
011	WL00000183	HANDLE B		1				
012	WL00000184	TOP COVER ASSY		1	*			
D10		INC. 10,11			*			
012-1	WL00000332	TOP COVER ASSY (OVER SEA)	<	1				
C10	WL00000315	CAUTION LABEL		1				
D10		INC. 10,11						
013	WL00000185	XGT LABEL		1				
014	WL00000187	CONTROL FILM		1				
015	WL00000188	PANEL ASSEMBLY		1	*			
D10		INC. 13,14,16,17,18			*			
015-1	WL00000333	PANEL ASSEMBLY (OVER SEA)	<	1				
D10		INC. 13,14,16,17,18						
016	WL00000189	USB COVER		1				
017	WL00000190	SWITCH PLATE		1				
018	WL00000191	SEALING		1				
019	WL00000193	CONTROL PCB		1	*			
019-1	WL00000298	BUTTON PCB	O	1				
020	WL00000015	TAPPING SCREW 3X10		2				
021	WL00000015	TAPPING SCREW 3X10		2				
022	WL00000015	TAPPING SCREW 3X10		1				
023	WL00000194	MAGNETIC SWITCH WITH CABLE		1				
024	WL00000015	TAPPING SCREW 3X10		4				
025	WL00000195	BATTERY TERMINAL COVER		1				
026	WL00000098	SCREWS ST3X8		1				
027	WL00000196	BATTERY TERMINAL		1				
028	WL00000197	LEAD UNIT A		1				
029	WL00000198	BATTERY BOX		1				
030	WL00000098	SCREWS ST3X8		4				
031	WL00000099	BATTERY TERMINAL		1				
032	WL00000199	LEAD UNIT B		1				
033	WL00000098	SCREWS ST3X8		1				
034	WL00000200	BATTERY TERMINAL COVER		1				
035	WL00000015	TAPPING SCREW 3X10		4				

Model No.CW003G CORDLESS COOLER & WARMER BOX

Položka	Číslo dílu	Popis	Změna	Množství	New/Old	Možnost 1	Možnost 2	Poznámka
036	WL00000018	THERMOSTAT TOP COVER		1				
037	WL00000019	SEALING C		1				
038	WL00000192	LIGHT BOARD ASSY		1				
039	WL00000015	TAPPING SCREW 3X10		2				
040	WL00000022	HINGE		3				
041	WL00000023	TAPPING SCREW 4X16		12				
042	WL00000103	FAN A WITH CABLE		1	*			
042-1	WL00000103	FAN A WITH CABLE	O	1				
043	WL00000104	SCREWS M4X30		4				
044	WL00000015	TAPPING SCREW 3X10		4				
045	WL00000201	POWER PCB		1				
046	WL00000202	PCB BOX		1				
047	WL00000044	TAPPING SCREW 4X12		3				
048	WL00000052	COUNTERSUNK TAPPING SCREW 4X18		4				
049	WL00000203	COMPRESS POWER PCB		1				
050	WL00000204	FOOT PAD		4				
051	WL00000205	PAN HEAD SCREWS M4X10		1				
052	WL00000206	FOOT		4				
053	WL00000212	REAR COVER ASSY(BLUE)		1				
D10		INC. 55,56,57						
054	WL00000052	COUNTERSUNK TAPPING SCREW 4X18		3				
055	WL00000015	TAPPING SCREW 3X10		2				
056	WL00000208	DC IN SOCKET		1				
057	WL00000209	DC IN COVER		1				
058	WL00000210	FILTER SPONGE		1				
059	WL00000213	DUST PROOF COVER (BLUE)		1				
060	WL00000172	POWER CONNECTION WIRE		1	*			
060-1	WL00000331	POWER CONNECTION WIRE(OVERSEA)	<	1				
061	WL00000173	CONTROLLING PCB WIRE		1				
062	WL00000174	COMPRESSOR PCB WIRE		1				
063	WL00000175	COMPRESSOR INPUT WIRE		1				
A01	WL00000058	AC ADAPTOR ASSY C		1				
C10	WL00000063	AC POWER CORD		1				
A02	WL00000002	CIGAR LIGHTER DC 12-24V		1				
C10	WL00000056	FUSE		1				

Please order the parts with part number.

Print Date 7/10/2022