



PL

POLAND

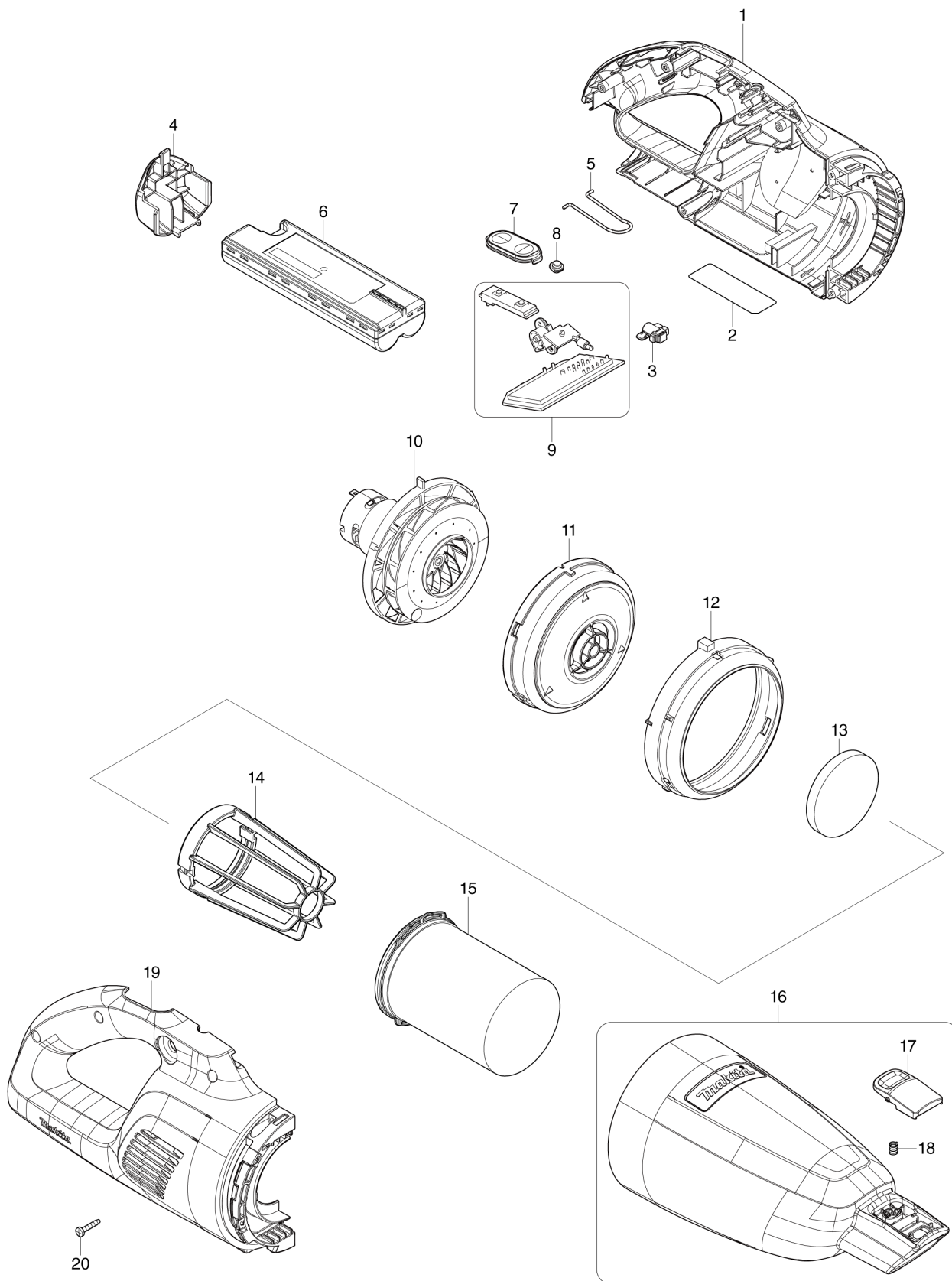
Diagram / Parts List

CL117FD

CORDLESS CLEANER



(PL) CL117FD / CORDLESS CLEANER



PL	POLAND
-----------	---------------

CL117FD / CORDLESS CLEANER

Item	Sub	Parts No.	Parts Description	Qty	I/C	E/C No.	Close No.	Remark
001		183W36-3	HOUSING SET	1			DK007	
	C10	422925-2	SPONGE SHEET 48-60	2			DK007	
	C20	423293-6	SPONGE 6-20	1			DK007	
	D10		INC. 19				DK007	
001-1		183X67-8	HOUSING SET	1	<	DK007		
	C10	422925-2	SPONGE SHEET 48-60	2		DK007		
	C20	423293-6	SPONGE 6-20	1		DK007		
	D10		INC. 19			DK007		
002		858L99-9	CL117FD NAME PLATE	1				
003		140K40-3	LENS CASE COMPLETE	1				
004		413K49-1	COVER	1				
005		324885-3	HANGER	1				
006		632R12-9	BATTERY	1				
007		144096-2	SWITCH PLATE COMPLETE	1				
	C10	810P35-7	SWITCH LABEL	1				
008		450522-4	LENS	1				
009		620J03-4	CONTROLLER	1				
010		122C96-0	MOTOR ASSEMBLY	1				
011		458834-9	FAN COVER	1				
012		422377-7	RUBBER RING	1				
013		422268-2	SPONGE SHEET 57	1				
014		458467-0	STAY	1				
015		199966-0	EASY SHAKE OFF FILTER B SET	1				
016A		136781-1	CAPSULE ASS'Y	1				
016B		136782-9	CAPSULE ASS'Y	1				
016C		136783-7	CAPSULE ASS'Y	1				
	C10	266326-2	TAPPING SCREW 4X18	1				
	C20	941051-3	FLAT WASHER 4	1				
	C30	424208-6	VALVE	1				
	D10		INC. 17,18					
017		458939-5	BUTTON A	1				
018		232485-4	COMPRESSION SPRING 5	1				
019		183W36-3	HOUSING SET	1			DK007	
	C10	422925-2	SPONGE SHEET 48-60	2		DK007	DK007	
	C20	423293-6	SPONGE 6-20	1		DK007	DK007	
	D10		INC. 1			DK007	DK007	
019-1		183X67-8	HOUSING SET	1	<	DK007		
	C10	422925-2	SPONGE SHEET 48-60	2		DK007		
	C20	423293-6	SPONGE 6-20	1		DK007		
	D10		INC. 1			DK007		
020		266429-2	TAPPING SCREW 3X16	6				
A01		198528-1	FLOOR/CARPET T-NOZZLE WHI	1				
	C10	451410-8	ROLLER	4				
	C20	743108-4	BRUSH 205	1				
A02		1910Y3-1	TELESCOPIC PIPE SET	1				
	D10		INC. A05					
A03		413770-6	SASH NOZZLE	1				
A05		413K53-0	NOZZLE HOLDER	1				
A06		***DC1002	DC1002 BATTERY CHARGER	1				
F18		198915-4	FILTER SET	1				
F23		199900-0	TOOL BAG SET	1				
F24		199901-8	TOOL BAG SET	1				

A:
B:
C:

Interchange
O : Yes
X : No
< : the new part can be substituted for the current.
> : the current part can be substituted for the new.
S : Interchangeable as a set.